

Full-Turn TV Mount Medium

TV 32-65 inch

KG 35 kg max

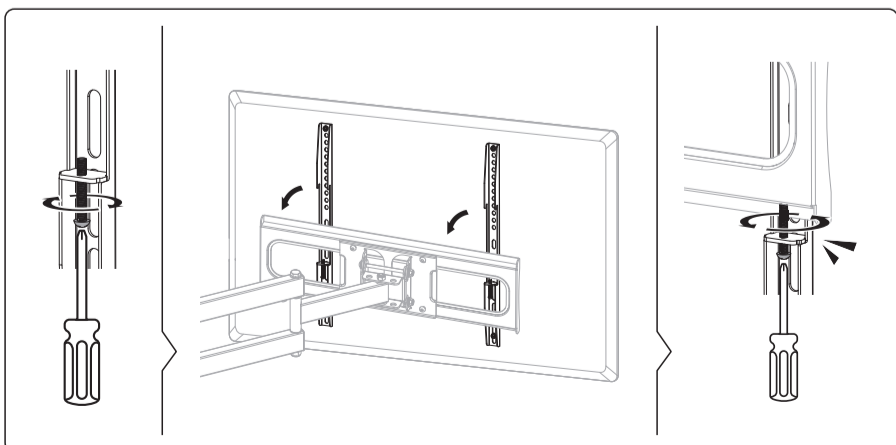
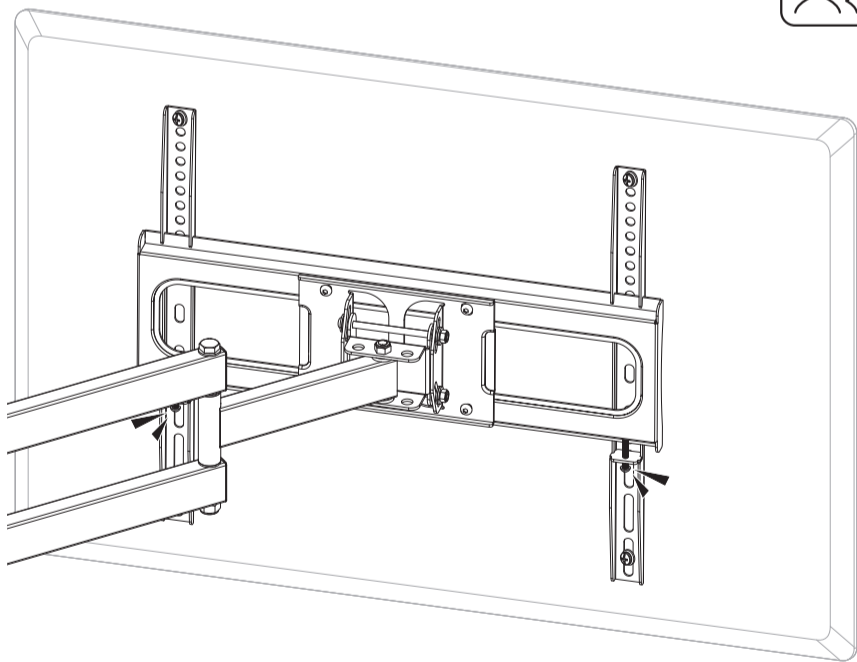
400x400 VESA max



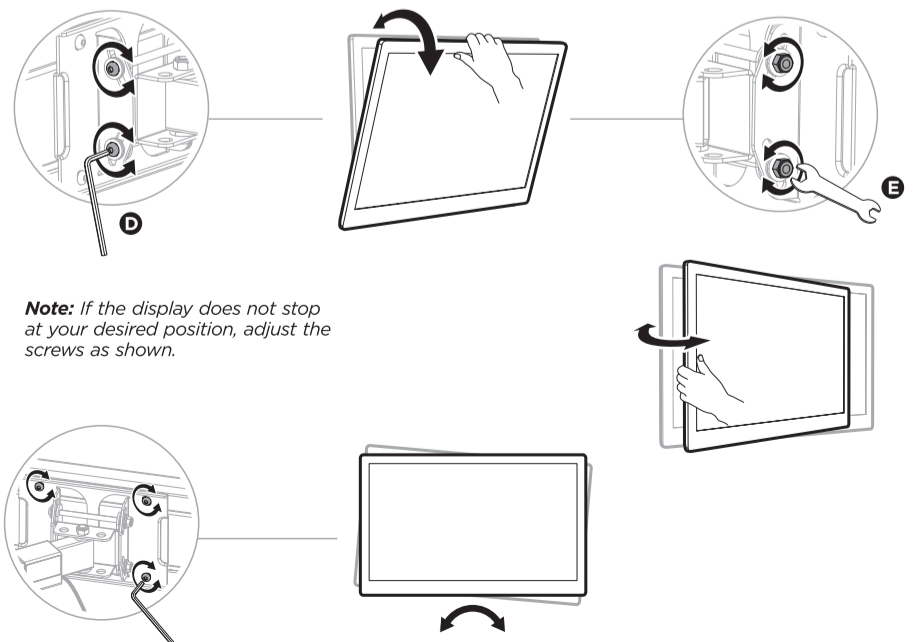
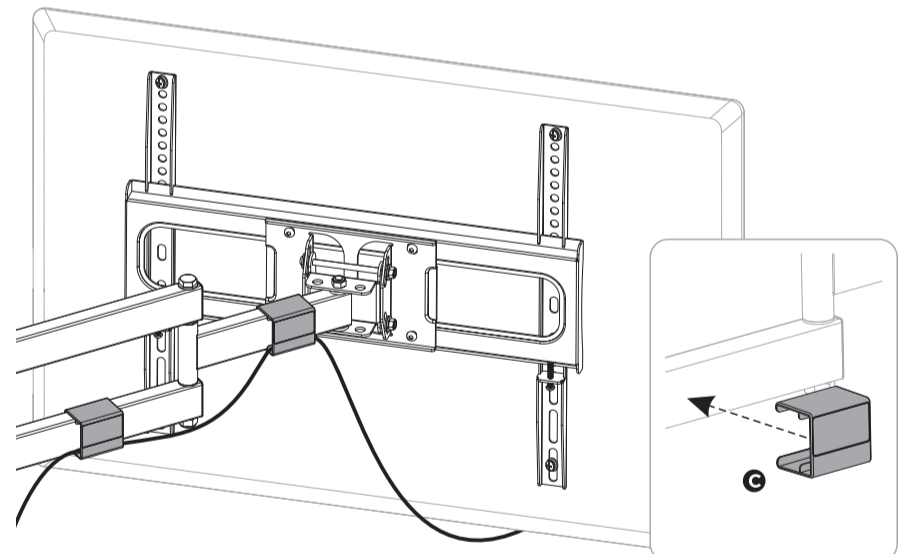
Installation
video

M001810_00

3



4



Note: If the display does not stop at your desired position, adjust the screws as shown.

