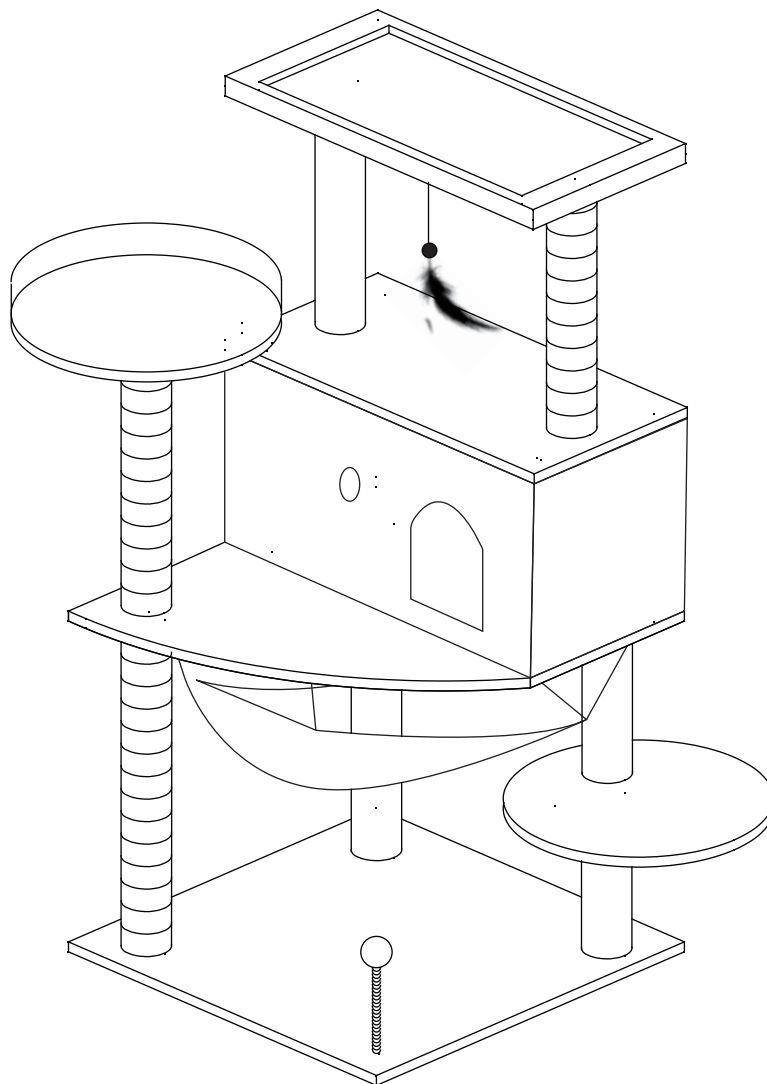


# PawHut

INdha187\_GL

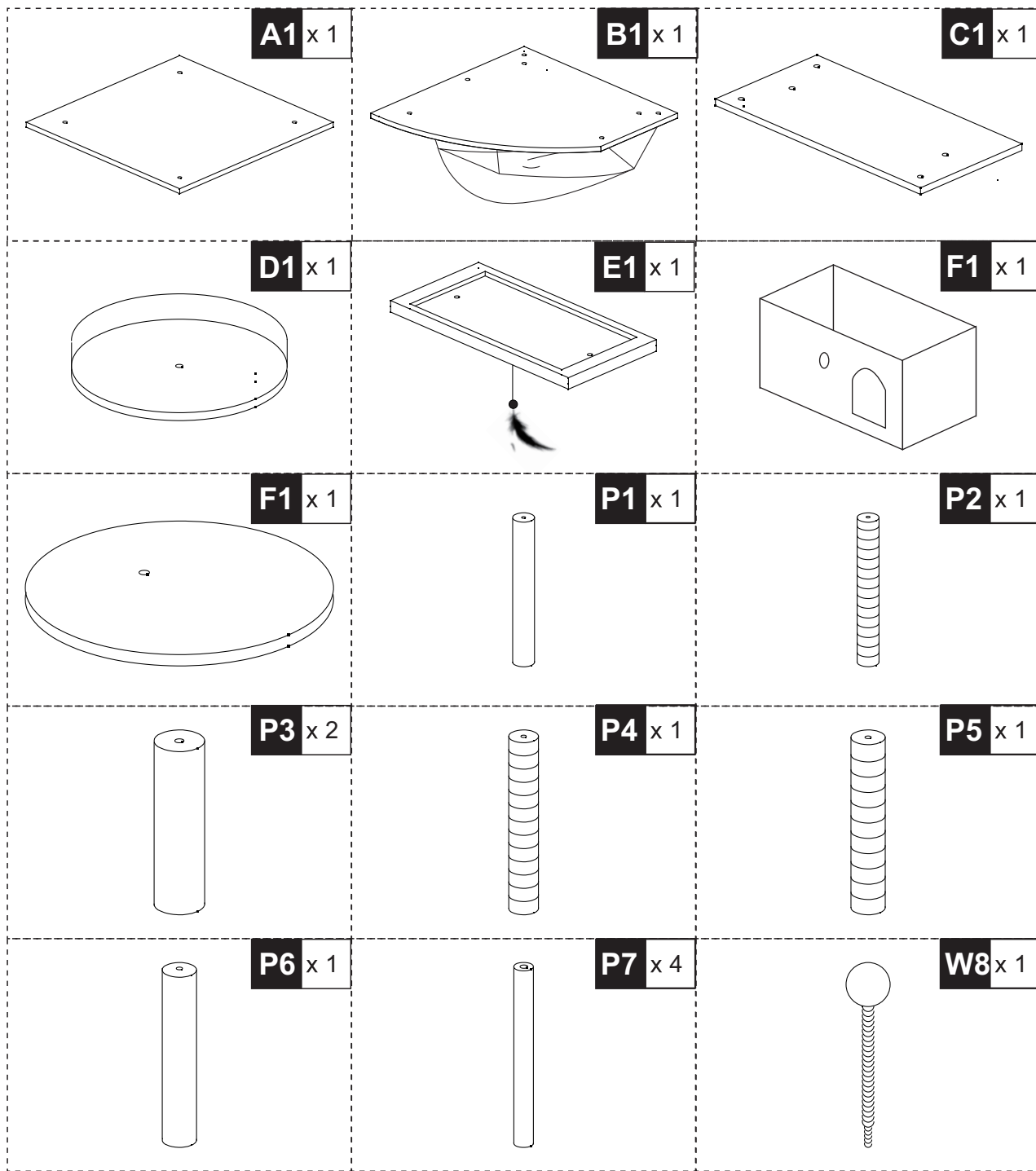
**D30-487**



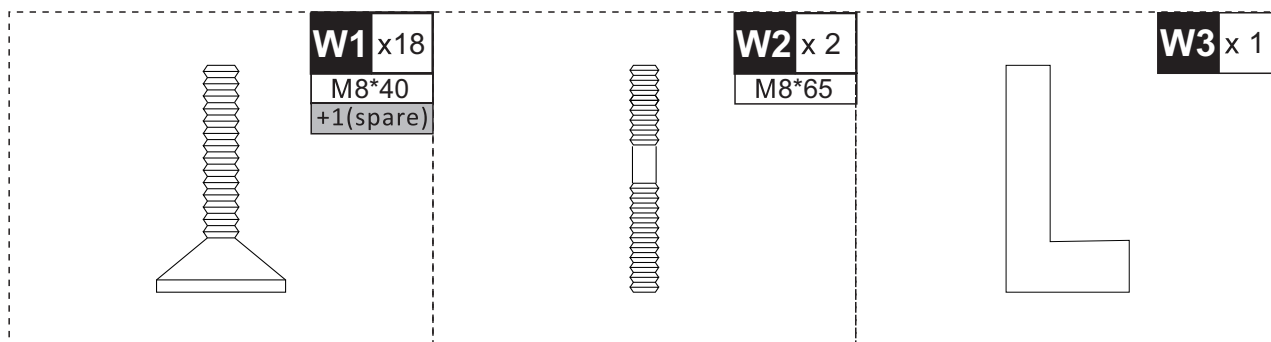
IMPORTANT, RETAIN FOR FUTURE REFERENCE: READ CAREFULLY

## ASSEMBLY & INSTRUCTION MANUAL

**PARTS**



**HARDWARE**

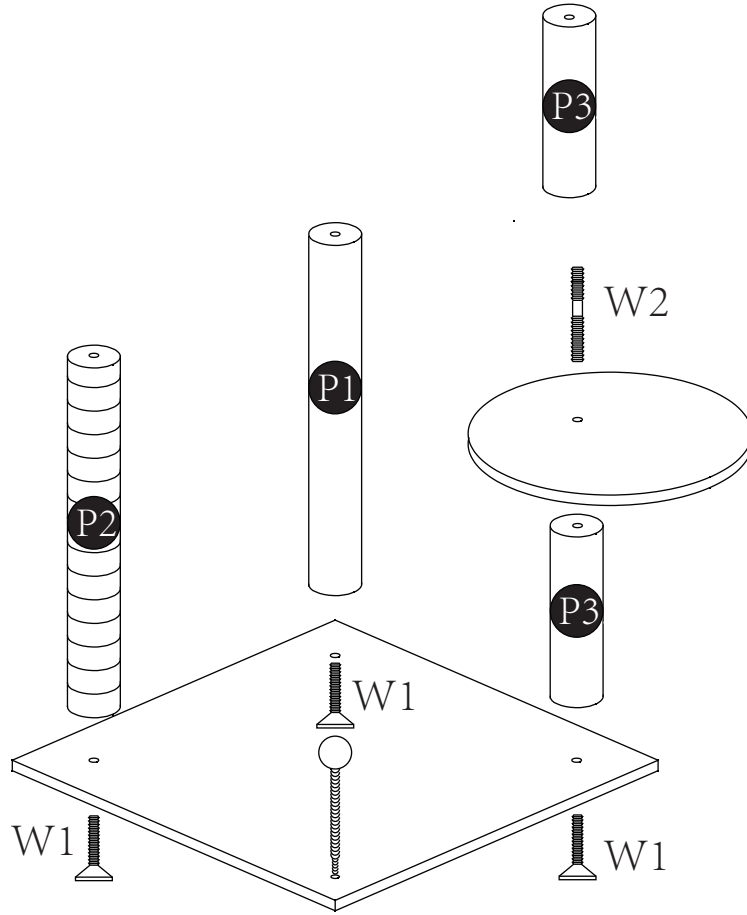


W1 x 3

M8\*40

W2 x 1

M8\*65

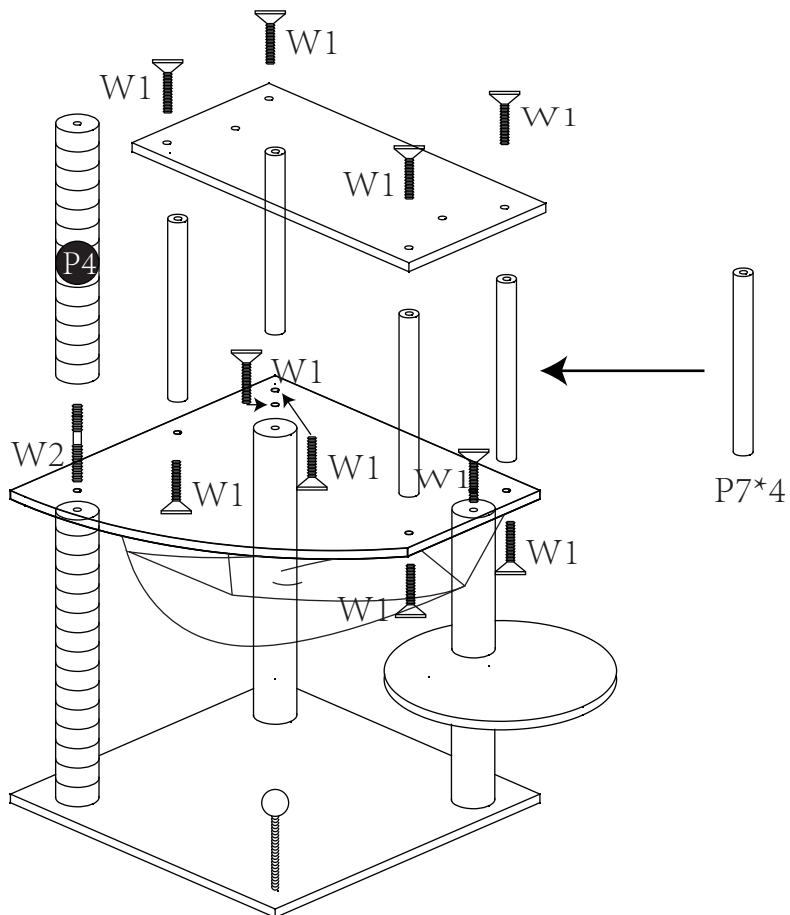


W1 x 10

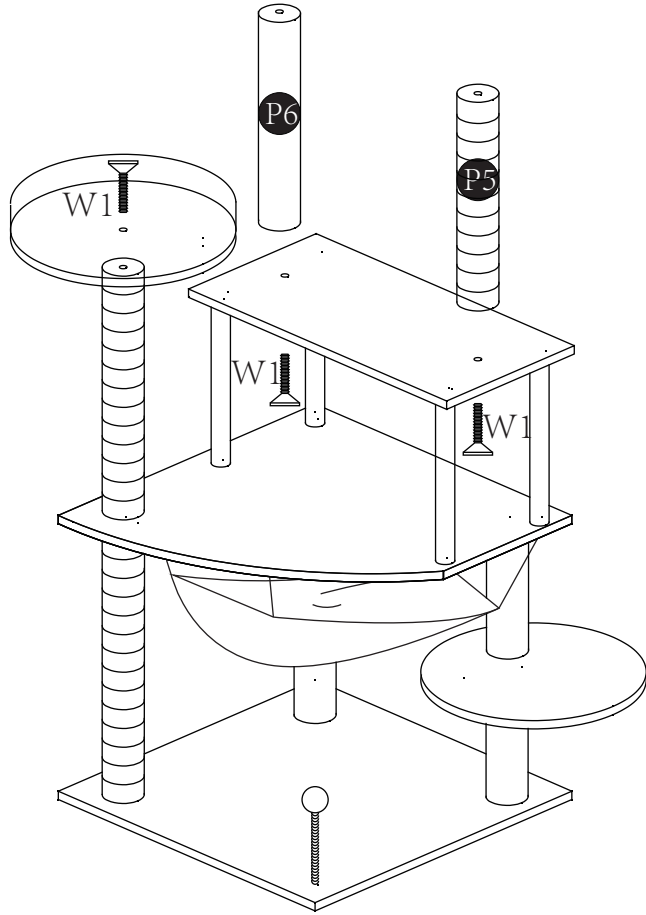
M8\*40

W2 x 1

M8\*65



W1 x 3  
M8\*40



W1 x 2  
M8\*40

