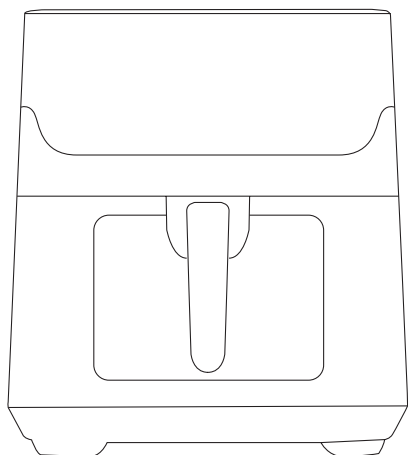


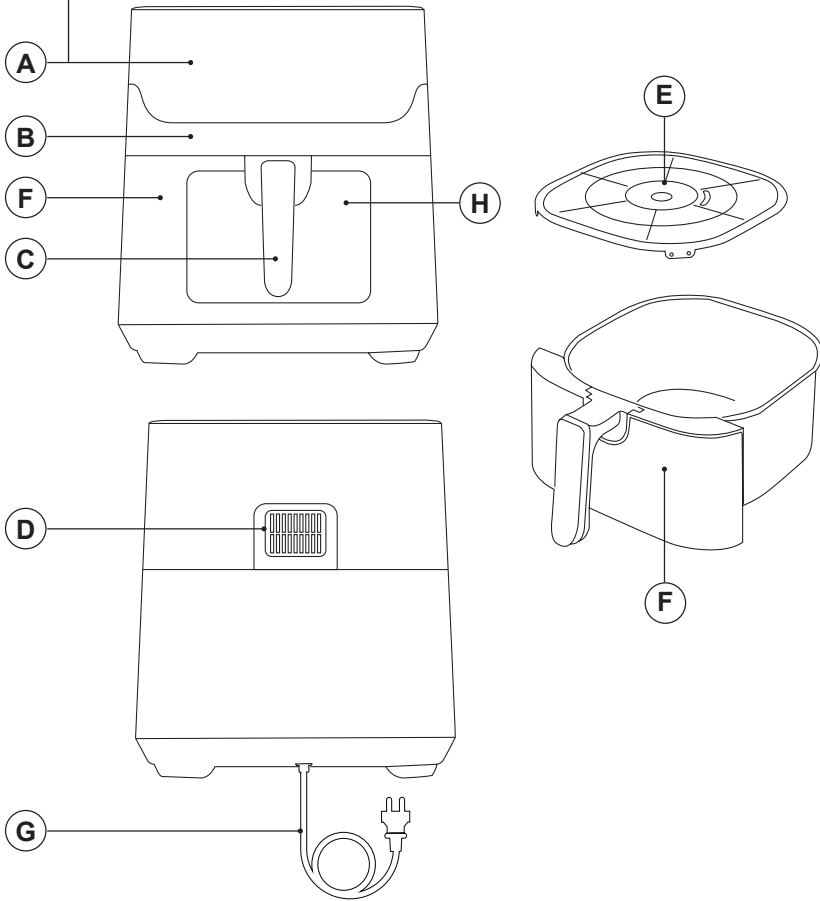
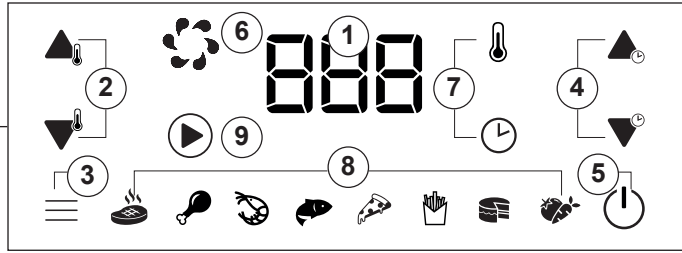


- EN. Instructions for use
- FR. Mode d'emploi
- DE. Gebrauchsanleitung
- IT. Istruzioni per l'uso
- ES. Instrucciones de uso
- PT. Instruções de uso
- NL. Gebruiksaanwijzing
- PL. Instrukcja obsługi
- EL. Οδηγίες χρήσης
- RU. Инструкция по применению
- RO. Instrucțiuni de utilizare
- BG. Инструкция за употреба
- CA. Instruccions d'ús
- DA. Brugsanvisning
- NO. Instruksjoner for bruk
- SV. Användningsinstruktioner
- FI. Käyttöohjeet
- TR. Kullanım için talimatlar
- HE. הוראות לשימוש



BXAF6500E





AIR FRYER BXAF6500E

Dear customer,

Many thanks for choosing to purchase a Black+Decker brand product.

Thanks to its technology, design and operation and the fact that it exceeds the strictest quality standards, a fully satisfactory use and long product life can be assured.

SAFETY ADVICE AND WARNINGS

- Read these instructions carefully before switching on the appliance, and keep them for future reference. Failure to follow and observe these instructions could lead to an accident.
- Clean all the parts of the product that will be in contact with food before use, as indicated in the «Cleaning» section.
- This appliance can be used by children aged from 8 years and above and persons with reduced physical, sensory or mental capabilities or lack of experience and knowledge if they have been given supervision or instruction concerning use of the appliance in a safe way and understand the hazards involved. Children shall not play with the appliance. Cleaning and user maintenance shall not be made by children without supervision.
- This appliance is not intended to be operated by means of an external timer or separate remote-control system.
- If the supply cord is damaged, it must be replaced by the manufacturer, its service agent or similarly qualified persons in order to avoid a hazard.

- This appliance is intended to be used in household and similar applications such as:

- staff kitchen areas in shops, offices and other working environments;
- farmhouses;
- by clients in hotels, motels and other residential-type environments;
- bed and breakfast type environments.



CAUTION, Hot Surfaces.

- Ensure that the voltage indicated on the rating label matches the mains voltage before plugging in the appliance.
- Connect the appliance to a mains socket rated at least 10 amperes.
- The appliance's plug must fit into the mains socket properly. Do not alter the plug. Do not use plug adaptors.
- Do not use the appliance if the supply cord or the plug is damaged.
- Do not pull on the supply cord. Never use the supply cord to lift up, carry or unplug the appliance.
- Do not wrap the supply cord around the appliance.
- Check the state of the supply cord. If it is damaged it will increase the risk of electric shock.
- Do not allow the supply cord to hang freely or to come into contact with the appliance's hot surfaces.
- If the appliance enclosure breaks, immediately disconnect the appliance from the mains to prevent the possibility of an electric shock.
- Do not touch the plug with wet hands.
- For indoor use only.
- Do not use or store the appliance outdoors.
- Do not leave the appliance out in the rain or exposed to moisture. If water gets into the appliance, this will increase the risk of electric shock.
- The temperature of the accessible surfaces may be high when the appliance is in use.
- Do not touch any heated part, as this may cause serious burns.

USE AND CARE

- Fully extend the appliance's supply cord before each use.
- Do not use the appliance if the parts or accessories are not properly fitted.

- Do not use the appliance if the accessories attached to it are defective. Replace them immediately.
- Do not use the appliance when empty.
- Do not use the appliance if the timer switch does not work properly.
- Do not move the appliance while in use.
- Do not use metal or pointed utensils to keep the non-stick treatment in good condition.
- Do not overfill the appliance.
- Disconnect the appliance from the mains when not in use and before cleaning.
- Store this appliance out of reach of children and/or persons with physical, sensory or reduced mental or lack of experience and knowledge.
- Do not store or transport the appliance if it is still hot.
- Never leave the appliance connected and unattended if it is not in use. This saves energy and prolongs the life of the appliance.
- Use only utensils appropriate to support high temperatures.
- As a reference, in the annexed table, you will find a recommendation on the cooking temperature and time for several meals.

DESCRIPTION

A	Digital control panel
B	Main housing
C	Handle
D	Air outlet
E	Non-stick tray
F	Frying Pot
G	Supply cord
H	Window

CONTROL PANEL

1	LCD
2	Temperature selector buttons
3	Program selector
4	Time selector buttons
5	Power button
6	Fan indicator
7	Temperature/time indicators
8	Program indicators
9	Work indicator

If the model of your appliance does not have the accessories described above, they can also be bought separately from the Technical Assistance Service.

INSTRUCTIONS FOR USE

BEFORE USE

- Make sure that the entire product's packaging has been removed.
- Before using the product for the first time, clean the parts that will come into contact with food as described in the «Cleaning» section.

USE

- Unroll the supply cord completely before plugging it in.
- Connect the appliance to the mains.
- Take the frying pot out of the fryer carefully.
- Note: manipulate the frying pot using the handle. Don't touch the frying pot when it's hot.
- Put the ingredients you want to fry inside the frying pot.
- Insert the frying pot into the fryer and press the power button.
- Once the frying pot is properly placed in the main housing, the Power light will be illuminated.
- Adjust the temperature and time using the temperature selector and time selector buttons. The default temperature and time are 200°C and 15 minutes. Otherwise select one of the 8 preset modes by pressing the program selector button.
- Select the Power button to start the cooking process.
- Press the power key for 3 seconds to switch off the entire device during cooking. "OFF" will show on the LCD. The "OFF" text on the display disappears, the fan stops working 20 seconds later and the entire device switches off.

TIME AND TEMPERATURE

- If you wish, you can also change the temperature and time settings using time and temperature selectors.

PRESET PROGRAMS

- This appliance has 8 preset programs.
- To select a program, press the program selector button.
- Pressing the power button will start the cooking process.
- If you wish, you can also change the temperature and time settings for the preset programs using time and temperature selectors.
- Temperature selector buttons enable you to increase or decrease the cooking temperature by 5 °C at a time. Keeping the key held down will rapidly change the temperature. Temperature Control range: 80 °C - 200 °C.

- Time selector buttons enable you to increase or decrease cooking time, one minute at a time. Keeping the key held down will rapidly change the time.
- The fryer will beep several times when the cooking time has finished and will switch off automatically.
- Check to see that the food is cooked.
- If it is not, you only have to put the container back in the fryer and program the timer to cook for a few more minutes.
- **CAUTION:** Frying pot and food will be very HOT.
- Place the frying pot over a plain surface that is able to withstand high temperatures.
- Some ingredients require shaking halfway through the preparation time. To shake the ingredients, pull the frying pot out of the appliance by the handle and shake it. Then slide the pot back into the air fryer.

WINDOW

- This appliance has a window in the frying pot to check the cooking status during cooking.

ONCE YOU HAVE FINISHED USING THE APPLIANCE

- Unplug the appliance from the mains.
- Allow it to cool.
- Clean the appliance as it is explained in the «Cleaning» section.

CLEANING

- Disconnect the appliance from the mains and allow it to cool before undertaking any cleaning task.
- Clean the equipment with a damp cloth with a few drops of washing-up liquid and then dry it.
- Do not use solvents or products with an acid or base pH, such as bleach, or abrasive products, for cleaning the appliance.
- Never immerse the appliance in water or any other liquid or place it under running water.
- It is advisable to clean the appliance regularly and remove any food remains.
- If the appliance is not in good condition of cleanliness, its surface may degrade and inexorably affect the duration of the appliance's useful life and could become unsafe to use.
- No parts of this appliance are suitable for cleaning in the dishwasher. They may be washed in hot soapy water:
 - Frying pot
 - Non-stick tray

SERVICE

- Any misuse or failure to follow the instructions for use renders the guarantee and the manufacturer's liability null and void.

ANOMALIES AND REPAIR

- Take the appliance to an authorised technical support service if problems arise. Do not try to dismantle or repair without assistance, as this may be dangerous.

WARRANTY AND TECHNICAL ASSISTANCE

This product enjoys the recognition and protection of the legal guarantee in accordance with current legislation. To enforce your rights or interests, you must go to any of our official technical assistance services.

You can find the closest one by accessing the following web link: <https://www.blackanddecker.eu/>

You can also request related information by contacting us.

You can download this instruction manual and its updates at <https://www.blackanddecker.eu/>

FOR EU PRODUCT VERSIONS AND/OR IN THE CASE THAT IT IS REQUESTED IN YOUR COUNTRY: ECOLOGY AND RECYCLABILITY OF THE PRODUCT

- The materials of which the packaging of this appliance consists are included in a collection, classification and recycling system. Should you wish to dispose of them, use the appropriate public containers for each type of material.
- The product does not contain concentrations of substances that could be considered harmful to the environment.



This symbol means that in case you wish to dispose of the product once its working life has ended, take it to an authorised waste agent for the selective collection of waste electrical and electronic equipment (WEEE).

- This appliance complies with Directive 2014/35/EU on Low Voltage, Directive 2014/30/EU on Electromagnetic Compatibility, Directive 2011/65/EU on the restrictions of the use of certain hazardous substances in electrical and electronic equipment and Directive 2009/125/EC on the ecodesign requirements for energy-related products.

Black & Decker® and BLACK+DECKER™ and the Black & Decker® and BLACK+DECKER™ logos are registered trademarks of The Black & Decker® Corporation and are used under licence. All rights reserved. Imported and Distributed by ENGINEERING AND TECHNOLOGY FOR LIFE, S.L. Avda. Barcelona s/n Oliana, 25790, Spain.

RECOMMENDATION TABLE

- Here you can find our recommendation on the time and temperature for frying different meals.

Ingredients	Min-max Amount (g)	Time (min)	Temperature (°C)	Shake	Extra information
Frozen french fries	400-800	17-25	200	Shake	
Drumsticks	600-800	22-25	180	Shake	
Pizza	600-800	25-30	180		
Fish	500-800	16-18	180		Turn around
Shrimp	400-800	12-15	180	Shake	
Steak	100-200	16-20	180		Turn around
Eggplant	400-600	17-22	160		
Cake	120-250	17	160		

TROUBLESHOOTING

Problem	Possible cause	Solution
The air fryer does not work.	The appliance is not plugged in.	Put the supply cord plug in an earthed wall socket.
	You have not set the timer.	Set the timer key to the required preparation time to switch on the appliance.
The ingredients fried with the air fryer are not done.	The amount of ingredients in the frying pot is too big.	Put smaller batches of ingredients in the frying pot. Smaller batches are fried more evenly.
	The set temperature is too low.	Set the temperature key to the required temperature setting. See 'Time and temperature' in the section «Instructions for use».
	The preparation time is too short.	Set the timer to the required preparation time. See 'Time and temperature' in the section «Instructions for use».
The ingredients are fried unevenly in the air fryer.	Certain types of ingredients need to be shaken halfway through the preparation time.	Ingredients that lie on top of or across each other (e.g. fries) need to be shaken halfway through the preparation time. See 'Time and temperature' in the section «Instructions for use».
Fried snacks are not crispy when they come out of the air fryer.	You used a type of snack meant to be prepared in a traditional deep fryer.	Use oven snacks or lightly brush some oil onto the snacks for a crispier result.
I cannot slide the frying pot into the appliance properly.	There are too many ingredients in the frying pot.	Do not fill the frying pot beyond the MAX indication.
	The non stick tray is not placed in the frying pot correctly.	Push the non stick tray down into the frying pot until it cannot move further.
White smoke comes out of the appliance.	You are preparing greasy ingredients.	When you fry greasy ingredients in the air fryer, a large amount of oil will leak into the frying pot. The oil produces white smoke, and the frying pot may heat up more than usual. This does not affect the appliance or the end result.
	The frying pot still contains grease residues from previous use.	White smoke is caused by grease heating up in the frying pot. Make sure you clean the frying pot properly after each use.
Fresh fries are fried unevenly in the air fryer.	You did not use the right potato type.	Use fresh potatoes and make sure they stay firm during frying.
	You did not rinse the potato sticks properly before you fried them.	Rinse the potato sticks properly to remove starch from the outside of the sticks.
Fresh fries are not crispy when they come out of the air fryer.	The crispiness of the fries depends on the amount of oil and water in the fries.	Make sure you dry the potato sticks properly before you add the oil.
		Cut the potato sticks smaller for a crispier result.
		Add slightly more oil for a crispier result.

FRITEUSE À AIR BXAF6500E

Cher Client,

Un grand merci d'avoir choisi d'acheter un produit de marque Black+Decker.

Sa technologie, son design et sa fonctionnalité, outre sa parfaite conformité aux normes de qualité les plus strictes, vous permettront d'en tirer une longue et durable satisfaction.

CONSEILS DE SÉCURITÉ ET AVERTISSEMENTS

- Lisez attentivement cette notice d'instructions avant de mettre l'appareil en marche, et conservez-la pour la consulter ultérieurement. Le non-respect de ces instructions peut être source d'accident.
- Avant la première utilisation, laver les parties en contact avec les aliments comme indiqué à la section nettoyage.
- Cet appareil peut être utilisé par des enfants âgés d'au moins 8 ans et par des personnes ayant des capacités physiques, sensorielles ou mentales réduites ou dénuées d'expérience ou de connaissance, s'ils (si elles) sont correctement surveillé(e)s ou si des instructions relatives à l'utilisation de l'appareil en toute sécurité leur ont été données et si les risques encourus ont été appréhendés. Les enfants ne doivent pas jouer avec l'appareil. Le nettoyage et l'entretien par l'utilisateur ne doivent pas être effectués par des enfants sans surveillance.
- Cet appareil n'est pas destiné à être mis en fonctionnement au moyen

d'une minuterie extérieure ou par un système de commande à distance séparé.

- Si le câble d'alimentation est endommagé, il doit être remplacé par le fabricant, son service après-vente ou des personnes de qualification similaire afin d'éviter un danger.
- L'appareil est destiné à être utilisé pour des applications domestiques et analogues telles que:
 - cuisine des employés dans les magasins, bureaux et autres environnements de travail;
 - fermes;
 - par des clients d'hôtels, motels et autres environnements de type résidentiel;
 - environnements de type chambres d'hôtes.



ATTENTION, Surfaces chaudes.

- Avant de raccorder l'appareil au secteur, s'assurer que le voltage indiqué sur la plaque signalétique correspond à celui du secteur.
- Raccorder l'appareil à une prise de courant d'au moins 10 ampères.
- La prise de courant de l'appareil doit coïncider avec la base de la prise de courant. Ne jamais modifier la prise de courant. Ne pas utiliser d'adaptateur de prise de courant.
- Ne pas utiliser l'appareil si son câble électrique ou sa prise est endommagé.
- Si le boîtier de l'appareil se brise, débrancher immédiatement l'appareil du réseau électrique afin d'éviter tout risque d'électrocution.
- Ne tirez pas sur le cordon d'alimentation. Ne jamais utiliser le câble électrique pour lever, transporter ou débrancher l'appareil.
- Ne pas enrouler le câble électrique autour de l'appareil.
- Vérifier l'état du câble électrique de connexion. Les câbles endommagés ou emmêlés augmentent le risque de choc électrique.

- Ne pas laisser le cordon de connexion entrer en contact avec les surfaces chaudes de l'appareil.
- Ne pas toucher la prise de raccordement avec les mains mouillées.
- Ne pas exposer l'appareil aux intempéries.
- Ne pas exposer l'appareil à la pluie ou à un environnement humide. L'eau qui entre dans l'appareil augmente le risque de décharge électrique.
- Quand l'appareil est mis en marche, la température des surfaces accessibles peut être élevée.
- Éviter de toucher les parties chauffantes de l'appareil, vous pourriez gravement vous brûler.

UTILISATION ET ENTRETIEN

- Avant chaque utilisation, dérouler complètement le câble d'alimentation de l'appareil.
- N'utilisez pas l'appareil si les pièces ou les accessoires ne sont pas correctement montés.
- N'utilisez pas l'appareil si ses accessoires présentent des défauts. Le cas échéant, les remplacer immédiatement.
- N'utilisez pas l'appareil s'il est vide.
- N'utilisez pas l'appareil si la minuterie ne fonctionne pas correctement.
- Ne faites pas bouger l'appareil en cours de fonctionnement.
- Pour conserver le traitement anti-adhésif en bon état, n'utilisez pas d'ustensiles métalliques ou pointus.
- Ne pas trop remplir l'appareil.
- Débranchez l'appareil du secteur quand il n'est pas utilisé et avant de procéder à toute opération de nettoyage.
- Conservez cet appareil hors de portée des enfants ou des personnes avec capacités physiques, sensorielles ou mentales réduites ou présentant un manque d'expérience et de connaissances
- Ne transportez pas l'appareil s'il est encore chaud.
- Ne laissez jamais l'appareil branché sans surveillance. Vous réduirez par la même occasion la consommation d'énergie et prolongerez la durée de vie de l'appareil.
- Utilisez uniquement des ustensiles conçus pour supporter des températures élevées.
- À titre d'orientation, le tableau en annexe fournit la température de cuisson et la durée de fonctionnement de l'appareil.

DESCRIPTION

- A Panneau de commande tactile
- B Boîtier principal

- C Poignée
- D Sortie d'air
- E Grille antiadhésive
- F Panier à frire
- G Câble d'alimentation
- H Fenêtre

PANNEAU DE CONTRÔLE

- 1 LCD
- 2 Boutons de sélection de la température
- 3 Sélecteur de programme
- 4 Boutons de sélection de l'heure
- 5 Bouton d'alimentation
- 6 Indicateur de ventilateur
- 7 Indicateurs de température/temps
- 8 Indicateurs de programme
- 9 Indicateur de travail

Dans le cas où votre modèle ne disposerait pas des accessoires décrits antérieurement, ceux-ci peuvent s'acquérir séparément auprès des services d'assistance technique.

MODE D'EMPLOI

AVANT L'UTILISATION

- Assurez-vous d'avoir retiré tout le matériel d'emballage du produit.
- Avant d'utiliser le produit pour la première fois, nettoyez les parties qui entreront en contact avec les aliments de la manière décrite dans la section « Nettoyage ».

UTILISATION

- Déroulez complètement le câble d'alimentation avant de le brancher.
- Branchez l'appareil au secteur.
- Retirer le panier à frire de la friteuse avec précaution.
- Remarque : manipulez panier à frire à l'aide de la poignée. Ne pas toucher panier à frire lorsqu'il est chaud.
- Placer les ingrédients à frire dans le panier à frire.
- Introduisez le panier à frire dans la friteuse et appuyez sur le bouton d'alimentation.
- Une fois le panier à frire correctement placé dans le boîtier principal, le voyant d'alimentation s'allume.
- Réglez la température et la durée à l'aide des boutons de sélection de la température et de la durée. La température et la durée par défaut sont de 200°C et 15 minutes.

Sinon, sélectionnez l'un des 8 modes pré-réglés en appuyant sur le bouton du sélecteur de programme.

- Sélectionnez le bouton d'alimentation pour démarrer le processus de cuisson.
- Appuyez sur la touche d'alimentation pendant 3 secondes pour arrêter l'ensemble de l'appareil pendant la cuisson. L'écran affiche "OFF". Le texte "OFF" sur l'écran disparaît, le ventilateur s'arrête de fonctionner 20 secondes plus tard et l'ensemble de l'appareil s'éteint.

DURÉE ET TEMPÉRATURE

- Si vous le souhaitez, vous pouvez également modifier les réglages de température et de durée à l'aide des sélecteurs de durée et de température.

PROGRAMMES PRÉCONFIGURÉS

- Cet appareil dispose de 8 programmes préconfigurés.
- Pour sélectionner un programme, appuyez sur la touche "Programmes" (5).
- La sélection du bouton d'alimentation permet de démarrer le processus de cuisson.
- Si vous le souhaitez, vous pouvez également modifier les réglages de température et d'heure des programmes préconfigurés à l'aide des icônes correspondantes.
- Les boutons de sélection de la température permettent d'augmenter ou de diminuer la température de cuisson de 5 °C à la fois. En maintenant la touche enfoncée, la température change rapidement. Bouton de contrôle de la température 80 °C - 200 °C.
- Les boutons de sélection du temps vous permettent d'augmenter ou de réduire le temps de cuisson, une minute à la fois. En maintenant la touche enfoncée, l'heure change rapidement.
- La friteuse émet plusieurs bips lorsque le temps de cuisson est terminé et s'éteint automatiquement.
- Vérifiez que les aliments soient cuits correctement.
- Dans le cas contraire, replacer tout simplement le récipient dans la friteuse et régler la minuterie sur quelques minutes de plus.
- ATTENTION : Le panier à frire et ainsi que les aliments sont très chauds.
- Placer le panier à frire sur une surface plane pouvant supporter des températures élevées.
- Certains ingrédients doivent être secoués à la moitié du temps de préparation. Pour secouer les ingrédients, sortez le panier à frire de l'appareil par la poignée et secouez-le. Glissez ensuite le panier à frire dans la friteuse.

FENÊTRE

- Cet appareil est doté d'une fenêtre dans le panier à frire qui permet de vérifier l'état de la cuisson pendant la cuisson.

APRÈS UTILISATION DE L'APPAREIL

- Débranchez l'appareil de la prise secteur.
- Laisser refroidir.
- Nettoyez l'appareil comme il est expliqué dans la section « Nettoyage ».

NETTOYAGE

- Débranchez l'appareil du secteur et attendre son refroidissement complet avant de le nettoyer.
- Nettoyez l'appareil avec un chiffon humide imprégné de quelques gouttes de détergent et laissez-le sécher.
- N'utilisez pas de solvants ou de produits dont le pH est acide ou basique, comme l'eau de Javel, ni de produits abrasifs, pour nettoyer l'appareil.
- N'immergez pas l'appareil dans l'eau ou dans tout autre liquide, ni le passez sous un robinet.
- Il est recommandé de nettoyer l'appareil régulièrement et de retirer tous les restes d'aliments.
- Si l'appareil n'est pas maintenu dans un bon état de propreté, sa surface peut se dégrader et affecter de façon inexorable la durée de vie de l'appareil et le rendre dangereux.
- Aucune des pièces de cet appareil ne peut être nettoyée au lave-vaisselle. Ils peuvent être lavés à l'eau chaude savonneuse.
 - Panier à frire
 - Grille antiadhésive

GARANTIE

- Toute utilisation inappropriée ou non conforme aux instructions d'utilisation annule la garantie et la responsabilité du fabricant.

ANOMALIES ET RÉPARATION

- En cas de panne, remettez l'appareil à un service d'assistance technique agréé. Il est dangereux de tenter de procéder aux réparations ou de démonter l'appareil soi-même.

GARANTIE ET ASSISTANCE TECHNIQUE

Ce produit bénéficie de la reconnaissance et de la protection de la garantie légale conformément à la législation en vigueur. Pour faire valoir vos droits ou intérêts, vous devez vous adresser à l'un de nos services officiels d'assistance technique.

Vous pouvez trouver l'agence la plus proche en accédant au lien suivant : <https://www.blackanddecker.eu/>

Vous pouvez également demander des informations connexes en nous contactant.

Vous pouvez télécharger ce manuel d'instructions et ses mises à jour à l'adresse suivante : <https://www.blackanddecker.eu/>

POUR LES VERSIONS UE DU PRODUIT ET/OU EN FONCTION DE LA LÉGISLATION DU PAYS D'INSTALLATION :

ÉCOLOGIE ET RECYCLAGE DU PRODUIT

- Les matériaux constitutifs de l'emballage de cet appareil font partie d'un programme de collecte, de tri et de recyclage. Si vous souhaitez vous débarrasser du produit, merci de bien vouloir utiliser les conteneurs publics appropriés à chaque type de matériau.

- Le produit ne contient pas de substances concentrées susceptibles d'être considérées comme nuisibles à l'environnement.



Ce symbole signifie que si vous souhaitez vous débarrasser de l'appareil, en fin de vie utile, celui-ci devra être déposé, en prenant les mesures adaptées, à un centre agréé pour la collecte et le tri des déchets d'équipements électriques et électroniques (DEEE).

- Cet appareil est certifié conforme à la directive 2014/35/EU de basse tension, de même qu'à la directive 2014/30/EU en matière de compatibilité électromagnétique, à la directive 2011/65/EU relative à la limitation de l'utilisation de certaines substances dangereuses dans les équipements électriques et électroniques et à la directive 2009/125/EC pour la fixation d'exigences en matière d'écoconception applicable aux produits liés à l'énergie.

Black & Decker® et BLACK+DECKER™ et les logos Black & Decker® et BLACK+DECKER™ sont des marques déposées de The Black & Decker® Corporation et sont utilisées sous licence. Tous droits réservés. Importé et distribué par ENGINEERING AND TECHNOLOGY FOR LIFE, S.L. Avda. Barcelona s/n Oliana, 25790, Spain.

TABLEAU DE CONSEIL

- Vous trouverez ici des temps de cuisson en fonction des aliments.

Ingrédients	Min-max Quantité (g)	Temps (min)	Température (°C)	Se- couer	Information supplé- mentaire
Frites surgelées	400-800	17-25	200	Se- couer	
Cuisses de poulet	600-800	22-25	180	Se- couer	
Pizza	600-800	25-30	180		
Poisson	500-800	16-18	180		Faire demi-tour
Crevettes	400-800	12-15	180	Se- couer	
Filet	100-200	16-20	180		Faire demi-tour
Aubergine	400-600	17-22	160		
Brioche	120-250	17	160		

RÉSOLUTION DE PROBLÈMES

Problème	Cause possible	Solution
La friteuse ne fonctionne pas.	L'appareil n'est pas branché.	Branchez la fiche du câble d'alimentation dans une prise murale reliée à la terre.
	La minuterie n'est pas réglée.	Réglez la touche de la minuterie sur le temps de préparation requis pour mettre l'appareil en marche.
Les ingrédients frits avec la friteuse ne sont pas cuits.	La quantité d'ingrédients dans le panier à frire est trop importante.	Mettez de plus petits lots d'ingrédients dans le panier à frire. Les petites quantités sont plus faciles à secouer et permettent une friture uniforme.
	La température sélectionnée est trop basse.	Réglez la touche de température sur le réglage de température souhaité. Voir "Durée et température" dans la section "Mode d'emploi".
	Le temps de préparation est trop court.	Réglez le minuteur sur le temps de préparation requis. Voir "Durée et température" dans la section "Mode d'emploi".
Les ingrédients sont frits de manière inégale dans la friteuse.	Certains types d'ingrédients doivent être secoués à la moitié du temps de préparation.	Lorsque les aliments sont superposés (par exemple, des frites), ils doivent être secoués à la moitié du temps de préparation. Voir "Durée et température" dans la section "Mode d'emploi".
Les snacks frits ne sont pas croustillants lorsqu'ils sortent de la friteuse.	Vous avez utilisé un type de snack destiné à être préparé dans une friteuse traditionnelle.	Utilisez des snacks au four ou badigeonnez légèrement d'huile les snacks pour un résultat plus croustillant.
Le panier à frire ne peut pas être inséré dans l'appareil.	Il y a trop d'ingrédients dans le panier à frire.	Ne remplissez pas le panier à frire au-delà de l'indication MAX.
	Le plateau antiadhésif n'est pas placé correctement dans le panier à frire.	Pousser le plateau antiadhésif dans le panier à frire jusqu'à ce qu'il ne puisse plus bouger.
De la fumée blanche sort de l'appareil.	Vous préparez des ingrédients gras.	Lorsque vous faites frire des ingrédients gras dans la friteuse à air, une grande quantité d'huile s'échappe dans le panier à frire. L'huile produit une fumée blanche, et le panier à frire peut chauffer plus que d'habitude. Cela n'affecte pas l'appareil ni le résultat.
	Le panier à frire contient encore des traces de graisse de l'utilisation précédente.	La fumée blanche est causée par la graisse qui chauffe dans le panier à frire. Assurez-vous de bien nettoyer le panier à frire après chaque utilisation.
Les frites fraîches sont frites de manière inégale dans la friteuse à air.	Vous n'avez pas utilisé le bon type de pomme de terre.	Utilisez des pommes de terre fraîches et veillez à ce qu'elles restent fermes pendant la friture.
	Vous n'avez pas bien rincé les bâtonnets de pommes de terre avant de les faire frire.	Rincez correctement les bâtonnets de pommes de terre pour enlever l'amidon de l'extérieur des bâtonnets.

Problème	Cause possible	Solution
Les frites ne sont pas croustillantes lorsqu'elles sortent de la friteuse.	Le croustillant des frites dépend de la quantité d'huile et d'eau qu'elles contiennent.	Veillez à bien sécher les bâtonnets de pommes de terre avant d'ajouter l'huile.
		Coupez les bâtonnets de pommes de terre plus petits pour un résultat plus croustillant.
		Ajoutez un peu plus d'huile pour un résultat plus croustillant.

HEISSLUFTFRITTEUSE BXAF6500E

Sehr geehrte Kunden,

Vielen Dank für den Kauf eines Black+Decker Markenprodukts.

Die Technologie, das Design und die Funktionalität dieses Produkts, das die anspruchsvollsten Qualitätsnormen erfüllt, werden Sie über viele Jahre zufriedenstellen.

SICHERHEITSHINWEISE UND WARNUNGEN

- Lesen Sie die Gebrauchsanweisung sorgfältig, bevor Sie das Gerät einschalten und bewahren Sie diese zum Nachschlagen zu einem späteren Zeitpunkt auf. Werden die Hinweise dieser Bedienungsanleitung nicht beachtet und eingehalten, kann es zu Unfällen kommen.
- Reinigen Sie alle Teile des Geräts, die mit Lebensmitteln in Berührung kommen, vor dem Gebrauch, wie im Abschnitt "Reinigung" beschrieben.
- Personen, denen es an Wissen im Umgang mit dem Gerät mangelt, geistig behinderte Personen oder Kinder ab 8 Jahren dürfen das Gerät nur unter Aufsicht oder Anleitung über den sicheren Gebrauch des Gerätes benutzen, sofern sie die von dem Gerät ausgehenden Gefahren verstehen. Kinder dürfen nicht mit dem Gerät spielen. Die Reinigung und Wartung durch die Benutzer darf nicht von Kindern vorgenommen werden, es sei denn, sie werden beaufsichtigt.
- Dieses Gerät ist nicht für den Betrieb mit einer externen Zeitschaltuhr oder

einem separaten Fernbedienungssystem vorgesehen.

- Wenn das Netzkabel beschädigt ist, muss es durch den Hersteller, seinen Kundendienst oder ähnlich qualifizierte Personen ersetzt werden, um eine Gefährdung zu vermeiden.
- Dieses Gerät ist für die Verwendung in Haushalten und ähnlichen Bereichen vorgesehen, wie z.B.:
 - Personalküchen in Geschäften, Büros und anderen Arbeitsumgebungen;
 - Bauernhäuser;
 - von Kunden in Hotels, Motels und anderen Wohnbereichen;
 - Bed & Breakfast-Umgebungen.



VORSICHT, Heiße Oberflächen.

- Vergewissern Sie sich, dass die Spannung auf dem Typenschild mit der Netzspannung übereinstimmt, bevor Sie das Gerät an das Stromnetz anschließen.
- Schließen Sie das Gerät an eine Netzsteckdose mit einer Nennleistung von mindestens 10 Ampere an.
- Der Stecker des Geräts muss mit dem Steckdosentyp des Stromanschlusses übereinstimmen. Der Gerätestecker darf unter keinen Umständen modifiziert werden. Keine Adapter für den Stecker verwenden.
- Verwenden Sie das Gerät nicht, wenn das Netzkabel oder der Stecker beschädigt ist.
- Ziehen Sie nicht am Netzkabel. Benutzen Sie das Netzkabel nicht zum Anheben oder Transportieren des Geräts.
- Den Stecker nicht am Netzkabel aus der Dose ziehen.
- Überprüfen Sie den Zustand des Netzkabels. Wenn sie beschädigt ist, besteht die Gefahr eines Stromschlags.
- Achten Sie darauf, dass das Netzkabel nicht frei hängt oder mit den heißen Oberflächen des Geräts in Berührung kommt.
- Sollte ein Teil der Geräteverkleidung beschädigt sein, ist die Stromzufuhr umgehend zu unterbrechen, um einen möglichen elektrischen Schlag zu vermeiden.
- Berühren Sie den Stecker nicht mit feuchten Händen.
- Nur für den Innengebrauch.
- Das Gerät nicht im Freien benutzen oder aufbewahren.

- Das Gerät niemals Regen oder Feuchtigkeit aussetzen. Wasser, das eventuell in das Gerät gelangt, erhöht die Elektroschockgefahr.
- Die Temperatur der zugänglichen Oberflächen kann hoch sein, wenn das Gerät in Betrieb ist.
- Berühren Sie keine erhitzten Teile, da dies zu schweren Verbrennungen führen kann.

BENUTZUNG UND PFLEGE:

- Vor jedem Gebrauch des Geräts das Netzkabel vollständig abwickeln.
- Verwenden Sie das Gerät nicht, wenn die Teile oder das Zubehör nicht richtig montiert sind.
- Gerät nicht benutzen, wenn die Zubehörteile mangelhaft sind. Ersetzen Sie diese sofort.
- Verwenden Sie das Gerät nicht, wenn es leer ist.
- Benutzen Sie das Gerät nicht, wenn die Zeitschaltuhr nicht richtig funktioniert.
- Das Gerät nicht bewegen, während es in Betrieb ist.
- Um die Antihafbeschichtung in gutem Zustand zu halten, verwenden Sie keine metallischen oder spitzen Utensilien darauf.
- Füllen Sie das Gerät nicht zu voll.
- Ziehen Sie den Stecker heraus und lassen Sie das Gerät abkühlen, bevor Sie mit der Reinigung beginnen.
- Das Gerät außerhalb der Reichweite von Kindern und/oder Personen mit eingeschränkten körperlichen, sensorischen oder geistigen Fähigkeiten bzw. Personen ohne ausreichende Erfahrung und Kenntnisse aufbewahren.
- Das Gerät nicht wegräumen, wenn es noch heiß ist.
- Das Gerät nie am Stromnetz angeschlossen und ohne Aufsicht lassen. Sie sparen dadurch Energie und verlängern die Gebrauchsdauer des Gerätes.
- Verwenden Sie nur Küchenutensilien, die für hohe Temperaturen ausgelegt sind.
- In der beigegeführten Tabelle finden Sie eine Reihe von Rezepten mit Angaben zu Temperatur und Dauer der Zubereitung.

BESCHREIBUNG

A	Digitale Bedienertafel
B	Hauptgehäuse
C	Griff
D	Luftaustritt
E	Antihaf-Gitter
F	Wanne
G	Netzkabel

H Fenster

BEDIENFELD

1	LCD
2	Temperaturwahltasten
3	Programmwahlschalter
4	Zeitwahltasten
5	Einschalttaste
6	Lüfteranzeige
7	Temperatur-/Zeitanzeige
8	Programm-Indikatoren
9	Indikator für Arbeit

Wenn Sie meinen, dass das Gerät nicht mit dem oben angeführten Zubehör ausgestattet ist, können Sie die Teile auch einzeln beim Technischen Kundendienst erwerben.

BENUTZUNGSHINWEISE

VOR DER BENUTZUNG:

- Vergewissern Sie sich, dass Sie das gesamte Verpackungsmaterial des Produkts entfernt haben.
- Vor der Erstanwendung müssen die Einzelteile, die mit Nahrungsmitteln in Kontakt geraten, so wie im Absatz Reinigung beschrieben, gereinigt werden.

BENUTZUNG:

- Vor Anschluss das Netzkabel völlig ausrollen.
- Schließen Sie das Gerät an das Stromnetz an.
- Nehmen Sie den Wanne vorsichtig aus der Fritteuse.
- Hinweis: Bewegen Sie den Wanne mit dem Griff des Wanne. Berühren Sie die Wanne nicht, wenn sie heiß ist.
- Geben Sie die Zutaten, die Sie frittieren möchten, in den Wanne.
- Setzen Sie den Wanne in die Fritteuse ein und drücken Sie die Einschalttaste.
- Sobald der Wanne richtig im Hauptgehäuse platziert ist, leuchtet das Leistungslicht.
- Stellen Sie die Temperatur und die Zeit mit den Tasten Temperaturwähler und Zeitwähler ein. Die Standardwerte für Temperatur und Zeit sind 200°C und 15 Minuten. Andernfalls wählen Sie einen der 8 voreingestellten Modi, indem Sie die Programmwahltaste drücken.
- Wählen Sie die Einschalttaste, um den Garvorgang zu starten.
- Drücken Sie die Einschalttaste 3 Sekunden lang, um das gesamte Gerät während des Garvorgangs zu stoppen. Auf dem Bildschirm wird "OFF" angezeigt. Der Text "OFF"

auf dem Display verschwindet, der Lüfter stellt 20 Sekunden später seinen Betrieb ein und das gesamte Gerät schaltet sich aus.

ZEIT UND TEMPERATUR

- Wenn Sie möchten, können Sie die Temperatur- und Zeiteinstellungen auch über Zeit- und Temperaturwähler ändern.

VORDEFINIERTER PROGRAMME

- Dieses Gerät verfügt über 8 voreingestellte Programme.
- Um ein Programm zu wählen, drücken Sie die Programmwahltaste.
- Wenn Sie die Einschalttaste drücken, wird der Garvorgang gestartet.
- Wenn Sie möchten, können Sie auch die Temperatur- und Zeiteinstellungen für die voreingestellten Programme über die entsprechenden Symbole ändern.
- Mit den Temperaturwahltaasten können Sie die Gartemperatur um jeweils 5 °C erhöhen oder senken. Wenn Sie die Taste gedrückt halten, ändert sich die Temperatur schnell. Temperaturregeltaste 80 °C - 200 °C.
- Mit den Zeitwahltaasten können Sie die Garzeit minutenweise erhöhen oder verringern. Wenn Sie die Taste gedrückt halten, ändert sich die Uhrzeit schnell.
- Nach Ablauf der Garzeit gibt die Fritteuse mehrere Signaltöne ab und schaltet sich automatisch aus.
- Vergewissern Sie sich, dass das Essen fertig gegart ist.
- Wenn nicht, stellen Sie die Wanne einfach wieder in die Fritteuse und stellen Sie den Timer ein, um noch ein paar Minuten zu garen.
- VORSICHT: Die Wanne und die Lebensmittel werden sehr HEISS sein.
- Stellen Sie den Wanne auf eine ebene Fläche, die mit hohen Temperaturen arbeiten kann.
- Einige Zutaten müssen nach der Hälfte der Zubereitungszeit geschüttelt werden. Um die Zutaten zu schütteln, ziehen Sie den Wanne aus dem Griff und schütteln ihn. Dann schieben Sie den Korb zurück in die Heißluftfritteuse.

FENSTER

- Dieses Gerät verfügt über ein Sichtfenster im Wanne, durch das der Garstatus während des Garens überprüft werden kann.

NACH DER BENUTZUNG DES GERÄTS

- Den Stecker aus der Netzdose ziehen.
- Lassen Sie es abkühlen.
- Reinigen Sie das Gerät wie im Abschnitt «Reinigung» erläutert.

REINIGUNG

- Ziehen Sie den Stecker heraus und lassen Sie das Gerät abkühlen, bevor Sie mit der Reinigung beginnen.
- Reinigen Sie das Gerät mit einem feuchten Tuch, auf das Sie einige Tropfen Reinigungsmittel geben und trocknen Sie es danach ab.
- Verwenden Sie zur Reinigung des Geräts weder Löse- oder Scheuermittel, noch Produkte mit einem sauren oder basischen pH-Wert wie z.B. Lauge.
- Das Gerät nicht in Wasser oder andere Flüssigkeiten tauchen und nicht unter den Wasserhahn halten.
- Es wird empfohlen, Speisereste regelmäßig vom Gerät zu entfernen.
- Wenn das Gerät nicht in einen sauberen Zustand gehalten wird, kann sich der Zustand seiner Oberfläche verschlechtern, seine Lebenszeit negativ beeinflusst und gefährliche Situationen verursacht werden.
- Beide Teile des Geräts sind nicht für die Reinigung in der Spülmaschine geeignet. Sie können in heißer Seifenlauge gewaschen werden.
 - Wanne
 - Antihaf-Gitter

BETRIEB

- Unsachgemäße Verwendung oder Nichteinhaltung der Gebrauchsanweisung kann Gefahren zur Folge haben und führt zum Erlöschen der Garantieansprüche sowie der Haftung des Herstellers.

STÖRUNGEN UND REPARATUR

- Bei Schäden und Störungen bringen Sie das Gerät zu einem zugelassenen Technischen Kundendienst. Versuchen Sie nicht, das Gerät selbst auseinanderzubauen und zu reparieren. Das könnte Gefahren zur Folge haben.

GARANTIE UND TECHNISCHE UNTERSTÜTZUNG

Dieses Produkt genießt die Anerkennung und den Schutz der gesetzlichen Garantie in Übereinstimmung mit der geltenden Gesetzgebung. Um Ihre Rechte oder Interessen durchzusetzen, müssen Sie sich an einen unserer offiziellen technischen Hilfsdienste wenden.

Den nächstgelegenen finden Sie unter folgendem Link: <https://www.blackanddecker.eu/>

Sie können auch verwandte Informationen anfordern, indem Sie uns kontaktieren.

Sie können diese Gebrauchsanweisung und ihre Aktualisierungen unter <https://www.blackanddecker.eu/> herunterladen.

FÜR DIE EU-AUSFÜHRUNGEN DES PRODUKTS UND/ODER FÜR LÄNDER, IN DENEN DIESE VORSCHRIFTEN ANZUWENDEN SIND ÖKOLOGIE UND RECYCLING DES PRODUKTS

- Die zur Herstellung des Verpackungsmaterials dieses Geräts verwendeten Materialien sind im Sammel-, Klassifizierung- und Recyclingsystem integriert. Wenn Sie es entsorgen möchten, können Sie die öffentlichen Container für die einzelnen Materialarten verwenden.
- Das Produkt ist frei von umweltschädlichen Konzentrationen von Substanzen.



Dieses Symbol weist darauf hin, dass das Produkt, wenn Sie es am Ende seiner Lebensdauer entsorgen wollen, in geeigneter Weise bei einer

zugelassenen Entsorgungsstelle abzugeben ist, um die getrennte Sammlung von Elektro- und Elektronikgeräte-Abfall (WEEE) sicherzustellen.

- Dieses Gerät erfüllt die Richtlinie 2014/35/EU über Niederspannung, die Richtlinie 2014/30/EU über elektromagnetische Verträglichkeit, die Richtlinie 2011/65/EU zur Beschränkung der Verwendung bestimmter gefährlicher Stoffe in Elektro- und Elektronikgeräten und die Richtlinie 2009/125/EC über die Anforderungen an die umweltgerechte Gestaltung energiebetriebener Produkte.

Black & Decker® und BLACK+DECKER™ sowie die Black & Decker® und BLACK+DECKER™ Logos sind eingetragene Marken der The Black & Decker® Corporation und werden unter Lizenz verwendet. Alle Rechte vorbehalten. Importiert und vertrieben von ENGINEERING AND TECHNOLOGY FOR LIFE, S.L. Avda. Barcelona s/n Oliana, 25790, Spain

TABELLE MIT EMPFEHLUNGEN

- Hier finden Sie Orientierungswerte für die Zubereitung verschiedener Lebensmittel.

Inhaltsstoffe	Min-Max-Menge (g)	Zeit (min)	Temperatur (°C)	Schütteln	Weiterführende Informationen
Gefrorene Pommes frites	400-800	17-25	200	Schütteln	
Schenkel	600-800	22-25	180	Schütteln	
Pizza	600-800	25-30	180		
Fisch	500-800	16-18	180		Umdrehen
Garnelen	400-800	12-15	180	Schütteln	
Filet	100-200	16-20	180		Umdrehen
Eggplant	400-600	17-22	160		
Zwieback	120-250	17	160		

PROBLEMLÖSUNG

Problem	Mögliche Ursache	Lösung
Der Heißluftfritteuse funktioniert nicht.	Das Gerät ist nicht angeschlossen.	Stecken Sie den Stecker des Netzkabels in eine geerdete Steckdose.
	Der Timer ist nicht eingestellt.	Stellen Sie die Timertaste auf die erforderliche Vorbereitungszeit zum Einschalten des Geräts ein.
Die im Heißluftfritteuse frittierten Speisen sind nicht fertig zubereitet.	Die Menge der Zutaten im Wanne ist zu groß.	Kleinere Mengen Zutaten in den Wanne geben. Kleinere Mengen lassen sich besser schütteln und gleichmäßig braten.
	Die gewählte Temperatur ist zu niedrig.	Stellen Sie die Temperaturtaste auf die gewünschte Temperatureinstellung ein. Siehe "Zeit und Temperatur" im Abschnitt "Gebrauchsanweisung".
	Die Vorbereitungszeit ist zu kurz.	Stellen Sie den Timer auf die erforderliche Vorbereitungszeit ein. Siehe "Zeit und Temperatur" im Abschnitt "Gebrauchsanweisung".
FrISChe Pommes werden ungleichmäßig in der Heißluftfritteuse gebraten.	Bestimmte Zutaten müssen zur Hälfte der Zubereitungszeit geschüttelt werden.	Über- oder übereinanderliegende Zutaten (z.B. Pommes Frites) müssen zur Hälfte der Zubereitungszeit geschüttelt werden. Siehe "Zeit und Temperatur" im Abschnitt "Gebrauchsanweisung".
Frittierte Snacks sind nicht knusprig, wenn sie aus der Heißluftfritteuse kommen.	Sie haben eine Art Snack verwendet, der in einer traditionellen Fritteuse zubereitet werden sollte.	Verwenden Sie Ofensnacks oder streichen Sie leicht etwas Öl auf die Snacks für ein knusprigeres Ergebnis.
Ich kann die Wanne nicht richtig in das Gerät schieben.	Es sind zu viele Zutaten im Wanne.	Füllen Sie den Wanne nicht über die MAX-Indikation hinaus.
	Die antihafbeschichtete Platte ist nicht richtig in den Wanne eingesetzt.	Drücken Sie die Antihafbeschichtung nach unten in den Wanne, bis sie sich nicht mehr bewegen lässt.
Es tritt weißer Rauch aus dem Gerät aus.	Sie bereiten fettige Zutaten zu.	Wenn Sie fettige Zutaten in der Heißluftfritteuse braten, tritt eine große Menge Öl in den Wanne aus. Das Öl erzeugt weißen Rauch und der Wanne kann sich stärker als üblich erwärmen. Dies beeinflusst weder das Gerät noch das Ergebnis.
	Die Wanne enthält noch Fettspuren vom vorherigen Gebrauch.	Der weiße Rauch wird durch das Fett verursacht, das in der Wanne erhitzt wird. Achten Sie darauf, dass Sie den Wanne nach jedem Gebrauch gründlich reinigen.
FrISChe Pommes werden ungleichmäßig in der Heißluftfritteuse gebraten.	Sie haben nicht die richtige Kartoffelsorte verwendet.	Verwenden Sie frISChe Kartoffeln und achten Sie darauf, dass sie beim Braten fest bleiben.
	Sie haben die Kartoffelstangen nicht richtig gespült, bevor Sie sie gebraten haben.	Spülen Sie die Kartoffelstangen richtig aus, um Stärke von der Außenseite der Stangen zu entfernen.

Problem	Mögliche Ursache	Lösung
<p>Frische Pommes frites sind nicht knusprig, wenn sie aus der Heißluftfritteuse kommen.</p>	<p>Die Knusprigkeit der Pommes frites hängt von der Menge an Öl und Wasser in den Pommes frites ab.</p>	<p>Stellen Sie sicher, dass Sie die Kartoffelstangen richtig trocknen, bevor Sie das Öl hinzufügen.</p>
		<p>Schneide die Kartoffelstangen für ein knusprigeres Ergebnis kleiner.</p>
		<p>Für ein knusprigeres Ergebnis etwas mehr Öl hinzufügen.</p>

FRIGGITRICE AD ARIA BXAF6500E

Egregio cliente,

Grazie per aver scelto di acquistare un prodotto del marchio Black+Decker.

La sua tecnologia, il suo design e la sua funzionalità, oltre al fatto di aver superato le più rigorose norme di qualità, le assicureranno una totale e durevole soddisfazione.

CONSIGLI E AVVERTENZE DI SICUREZZA

- Prima di utilizzare l'apparecchio, leggere attentamente le istruzioni riportate nel presente opuscolo e conservarlo per future consultazioni. La mancata osservanza delle presenti istruzioni può essere causa di incidenti.
- Prima del primo utilizzo dell'apparecchio, si consiglia di pulire tutte le parti a contatto con gli alimenti, come indicato nella sezione dedicata alla pulizia.
- Questo apparato può essere utilizzato da persone che non ne conoscono il funzionamento, persone disabili o bambini di età superiore agli 8 anni, ma esclusivamente sotto la sorveglianza di un adulto o nel caso abbiano ricevuto le dovute istruzioni per utilizzarlo in completa sicurezza e ne comprendano i rischi. I bambini non devono giocare con l'apparecchio. I bambini possono eseguire operazioni di pulizia o di manutenzione dell'apparecchio solo se sorvegliati da un adulto.
- Questo apparecchio non è destinato a essere azionato tramite un timer ester-

no o un sistema di controllo a distanza separato.

- Se il cavo di alimentazione è danneggiato deve essere sostituito dal fabbricante, da un suo agente di servizio o da personale con qualifiche similari, al fine di evitare qualsiasi pericolo.
- Questo apparecchio è destinato ad essere utilizzato in applicazioni domestiche e simili, come ad esempio:
 - aree di cucina per il personale in negozi, uffici e altri ambienti di lavoro;
 - cascine;
 - dai clienti di alberghi, motel e altri ambienti di tipo residenziale;
 - ambienti di tipo bed and breakfast.



ATTENZIONE, Superfici calde.

- Prima di collegare l'apparecchio alla rete elettrica, verificare che il voltaggio indicato sulla targhetta caratteristiche e il selettore di voltaggio corrispondano al voltaggio della rete.
- Collegli l'apparecchio a una presa di corrente di almeno 10 ampere.
- Verificare che la presa sia adatta alla spina dell'apparecchio. Non apportare alcuna modifica alla spina. Non usare adattatori.
- Non utilizzare l'apparecchio se il cavo di alimentazione o la spina sono danneggiati.
- Non tiri il cavo di alimentazione. Non usare mai il cavo di alimentazione per sollevare, trasportare o scollegare l'apparecchio.
- Non avvolgere il cavo di alimentazione attorno all'apparecchio.
- Controlli lo stato del cavo di alimentazione. Se è danneggiato, aumenta il rischio di scosse elettriche.
- Non lasciare che il cavo di alimentazione penda liberamente o entri in contatto con le superfici calde dell'apparecchio.
- Se l'involucro dell'apparecchio si rompe, scollegli immediatamente l'apparecchio dalla rete elettrica per evitare la possibilità di una scossa elettrica.
- Non toccare mai la spina con le mani bagnate.

- Solo per uso interno.
- Non usare o esporre l'apparecchio alle intemperie.
- Non lasciare l'apparecchio sotto la pioggia o in luoghi umidi. Le infiltrazioni d'acqua aumentano il rischio di scariche elettriche.
- La temperatura delle superfici accessibili può essere elevata quando l'apparecchio è in funzione.
- Non toccare le parti riscaldate per non incorrere in gravi ustioni.

PRECAUZIONI D'USO

- Prima di ogni utilizzo, svolgere completamente il cavo di alimentazione dell'apparecchio.
- Non utilizzi l'apparecchio se le parti o gli accessori non sono montati correttamente.
- Non utilizzare l'apparecchio se gli accessori presentano dei difetti. Sostituirli immediatamente.
- Non utilizzare l'apparecchio quando è vuoto.
- Non utilizzare l'apparecchio se il temporizzatore non funziona correttamente.
- Non muovere l'apparecchio durante l'uso
- Per conservare in buono stato il trattamento antiaderente, non utilizzare utensili metallici o appuntiti.
- Non riempire eccessivamente l'apparecchio.
- Scollegare la spina dalla presa di corrente quando l'apparecchio non è in uso e prima di eseguire qualsiasi operazione di pulizia.
- Conservare questo apparecchio fuori dalla portata dei bambini e/o di persone con limitate capacità fisiche, sensoriali o mentali o con mancanza di esperienza e conoscenza
- Non riporre, né trasportare l'apparecchio quando è ancora caldo.
- Non lasciare mai l'apparecchio collegato alla rete elettrica e senza controllo. Si otterrà un risparmio energetico e si prolungherà la vita dell'apparecchio stesso.
- Utilizzare solamente utensili in grado di sostenere alte temperature.
- Orientativamente, nella tabella allegata sono indicate una serie di ricette che comprendono la temperatura di cottura e il tempo di funzionamento dell'apparecchio.

DESCRIZIONE

- | | |
|---|--------------------------------|
| A | Pannello di controllo digitale |
| B | Alloggiamento principale |
| C | Maniglia |
| D | Uscita dell'aria |

- | | |
|---|-----------------------|
| E | Griglia antiaderente |
| F | Cestino |
| G | Cavo di alimentazione |
| H | Finestra |

PANNELLO DI CONTROLLO

- | | |
|---|---|
| 1 | LCD |
| 2 | Pulsanti di selezione della temperatura |
| 3 | Selettore di programma |
| 4 | Pulsanti del selettore orario |
| 5 | Pulsante di accensione |
| 6 | Indicatore del ventilatore |
| 7 | Indicatori di temperatura/tempo |
| 8 | Indicatori del programma |
| 9 | Indicatore di lavoro |

Nel caso in cui il modello del Suo apparecchio non sia dotato degli accessori anteriormente elencati, può acquistarli separatamente presso i punti di assistenza tecnica autorizzati.

MODALITÀ D'USO

PRIMA DELL'USO

- Assicurarsi di aver rimosso dal prodotto tutto il materiale di imballaggio.
- Previamente al primo utilizzo dell'apparecchio, si consiglia di pulire tutte le parti a contatto con gli alimenti, come indicato nella sezione dedicata alla «Pulizia».

USO

- Srotolare completamente il cavo di alimentazione prima di attaccare la spina.
- Collegare l'apparecchio alla rete elettrica.
- Estrarre con cautela il cestino dalla friggitrice.
- Nota: manipolare il cestino con la maniglia. Non toccare il cestino quando è caldo.
- Mettete gli ingredienti che volete friggere all'interno nel cestino.
- Introdurre il cestino nella friggitrice e premere il pulsante di accensione.
- Una volta che il cestino è stato posizionato correttamente nell'alloggiamento principale, la spia di alimentazione si accenderà.
- Regolare la temperatura e l'ora utilizzando i pulsanti di selezione della temperatura e dell'ora. La temperatura e il tempo predefiniti sono 200°C e 15 minuti. Altrimenti,

selezionare una delle 8 modalità preimpostate premendo il pulsante di selezione del programma.

- Selezionare il pulsante di accensione per avviare il processo di cottura.
- Premere il tasto di accensione per 3 secondi per arrestare l'intero apparecchio durante la cottura. Sullo schermo viene visualizzato "OFF". Il testo "OFF" sul display scompare, la ventola smette di funzionare 20 secondi dopo e l'intero dispositivo si spegne.

TEMPO E TEMPERATURA

- Se lo si desidera, è possibile modificare le impostazioni della temperatura e dell'ora utilizzando i selettori dell'ora e della temperatura.

PROGRAMMI PREDEFINITI

- Questo apparecchio possiede 8 programmi predefiniti.
- Per selezionare un programma, premere il pulsante di selezione del programma.
- Selezionando il pulsante di accensione si avvia il processo di cottura.
- Se lo si desidera, può anche modificare le impostazioni della temperatura e dell'ora dei programmi preimpostati utilizzando le icone corrispondenti.
- I pulsanti di selezione della temperatura consentono di aumentare o diminuire la temperatura di cottura di 5 °C alla volta. Tenendo premuto il tasto, la temperatura cambia rapidamente. Pulsante di controllo della temperatura 80 °C - 200 °C.
- I pulsanti di selezione del tempo consentono di aumentare o diminuire il tempo di cottura, un minuto alla volta. Tenendo premuto il tasto si cambia rapidamente l'ora.
- Al termine del tempo di cottura, la friggitrice emette diversi segnali acustici e si spegne automaticamente.
- Verificare che gli alimenti siano cotti.
- Se così non fosse, basta reinserire il recipiente nella friggitrice e impostare il temporizzatore aggiungendo alcuni minuti di cottura.
- **ATTENZIONE:** Il cestino e gli alimenti saranno molto CALDI.
- Posizionare il cestino su una superficie piana in grado di lavorare ad alte temperature.
- Alcuni ingredienti richiedono di essere agitati a metà del tempo di preparazione. Per scuotere gli ingredienti, estrarre il cestino dall'apparecchio afferrandola per la maniglia e scuoterla. Quindi far scivolare di nuovo il cestino nella friggitrice ad aria.

FINESTRA

- Questo apparecchio è dotato di una finestra nel cestino per controllare lo stato di cottura durante la cottura.

UNA VOLTA CONCLUSO L'UTILIZZO DELL'APPARECCHIO

- Scollegare l'apparecchio dalla rete.
- Lasciare raffreddare.
- Pulisca l'apparecchio come spiegato nella sezione «Pulizia».

PULIZIA

- Scollegare la spina dalla rete elettrica e attendere che l'apparecchio si raffreddi, prima di eseguirne la pulizia.
- Pulire il gruppo elettrico con un panno umido, quindi asciugarlo.
- Per la pulizia non impiegare solventi o prodotti a pH acido o basico, come la candeggina, né prodotti abrasivi.
- Non immergere l'apparecchio in acqua o altri liquidi, né lavarlo con acqua corrente.
- Si raccomanda di pulire l'apparecchio periodicamente e di rimuovere tutti i residui di cibo.
- La mancata pulizia periodica dell'apparecchio può provocare il deterioramento delle superfici, compromettendone la durata operativa e la sicurezza.
- Nessuna delle parti di questo apparecchio è adatta alla pulizia in lavastoviglie. Possono essere lavati in acqua calda e sapone.
 - Cestino
 - Griglia antiaderente

SERVIZIO

- Il produttore invalida la garanzia e declina ogni responsabilità in caso di uso inappropriato dell'apparecchio o non conforme alle istruzioni d'uso.

ANOMALIE E RIPARAZIONI

- In caso di guasto, rivolgersi ad un Centro d'Assistenza Tecnica autorizzato. Non tentare di smontare o di riparare l'apparecchio: può essere pericoloso.

GARANZIA E ASSISTENZA TECNICA

Questo prodotto gode del riconoscimento e della tutela della garanzia legale in conformità alla normativa vigente. Per far valere i suoi diritti o interessi, deve rivolgersi a uno dei nostri servizi ufficiali di assistenza tecnica.

È possibile trovare quello più vicino accedendo al seguente link web: <https://www.blackanddecker.eu/>

Può anche richiedere informazioni correlate contattandoci.

È possibile scaricare questo manuale di istruzioni e i relativi aggiornamenti all'indirizzo <https://www.blackanddecker.eu/>.

**PER I PRODOTTI DELL'UNIONE EUROPEA E/O NEL CASO IN CUI SIA PREVISTO DALLA LEGISLAZIONE DEL SUO PAESE DI ORIGINE
 PRODOTTO ECOLOGICO E RICICLABILE**

- I materiali che costituiscono l'imballaggio di questo apparecchio sono compresi in un sistema di raccolta, classificazione e riciclaggio degli stessi. Per lo smaltimento, utilizzare gli appositi contenitori pubblici, adatti per ogni tipo di materiale.
- Il prodotto non contiene concentrazioni di sostanze considerate dannose per l'ambiente.



Questo simbolo indica che, per smaltire il prodotto al termine della sua durata utile, occorre depositarlo presso un ente di smaltimento autor-

izzato alla raccolta differenziata di rifiuti di apparecchiature elettriche ed elettroniche (RAEE).

- Questo apparecchio rispetta la Direttiva 2014/35/EU di Bassa Tensione, la Direttiva 2014/30/EU di Compatibilità Elettromagnetica, la Direttiva 2011/65/EU sui limiti d'impiego di determinate sostanze pericolose negli apparecchi elettrici ed elettronici e la Direttiva 2009/125/EC riguardante l'Ecodesign dei prodotti che consumano energia.

Black & Decker® e BLACK+DECKER™ e i loghi Black & Decker® e BLACK+DECKER™ sono marchi registrati di The Black & Decker® Corporation e sono utilizzati su licenza. Tutti i diritti riservati. Importato e distribuito da ENGINEERING AND TECHNOLOGY FOR LIFE, S.L. Avda. Barcelona s/n Oliana, 25790, Spain.

TABELLA DI RACCOMANDAZIONI

- Forniamo alcuni consigli orientativi per la cottura di vari alimenti.

Ingredienti	Min-max Quantità (g)	Tempo (min)	Temperatura (°C)	Agitare	Ulteriori informazioni
Patatine fritte congelate	400-800	17-25	200	Agitare	
Cosce	600-800	22-25	180	Agitare	
Pizza	600-800	25-30	180		
Pesce	500-800	16-18	180		Girare intorno
Gamberi	400-800	12-15	180	Agitare	
Filetto	100-200	16-20	180		Girare intorno
Melanzana	400-600	17-22	160		
Torta	120-250	17	160		

SOLUZIONE DEI PROBLEMI

Problema	Possibile causa	Soluzione
La friggitrice ad aria non funziona.	L'apparecchio non è collegato alla rete elettrica.	Inserire la spina del cavo di alimentazione in una presa di corrente con messa a terra.
	Il temporizzatore non è configurato.	Impostare il tasto del timer sul tempo di preparazione richiesto per accendere l'apparecchio.
Gli alimenti fritti nella friggitrice ad aria non sono completamente cotti.	La quantità di ingredienti nel cestino è troppo grande.	Metta nel cestino piccoli lotti di ingredienti. Minori quantità si smuovono meglio e si friggono uniformemente.
	La temperatura selezionata è troppo bassa.	Impostare il tasto temperatura sull'impostazione di temperatura desiderata. Vedere "Tempo e temperatura" nella sezione "Istruzioni per l'uso".
	Il tempo di preparazione è troppo breve.	Impostare il timer sul tempo di preparazione richiesto. Vedere "Tempo e temperatura" nella sezione "Istruzioni per l'uso".
Gli ingredienti vengono fritti in modo non uniforme nella friggitrice ad aria.	Alcuni tipi di ingredienti devono essere agitati a metà del tempo di preparazione.	Gli ingredienti che si trovano uno sopra l'altro o uno di fronte all'altro (ad esempio, le patatine fritte) devono essere scossi a metà del tempo di preparazione. Vedere "Tempo e temperatura" nella sezione "Istruzioni per l'uso".
Gli snack fritti non sono croccanti quando escono dalla friggitrice ad aria.	Ha utilizzato un tipo di snack destinato ad essere preparato in una friggitrice tradizionale.	Utilizzi degli snack da forno o spennelli leggermente dell'olio sugli snack per un risultato più croccante.
Non riesco a far scorrere il cestino nell'apparecchio in modo corretto.	Ci sono troppi ingredienti nel cestino.	Non riempia il cestino di frittura oltre l'indicazione MAX.
	Il vassoio antiaderente non è stato posizionato correttamente nel cestino per friggere.	Spingere il vassoio antiaderente verso il basso nel cestino di frittura fino a quando non si può muovere ulteriormente.
L'apparecchio emette un fumo bianco.	Si preparano ingredienti grassi.	Quando frigge ingredienti grassi nella friggitrice ad aria, una grande quantità di olio fuoriesce dal cestino. L'olio produce fumo bianco e il cestino potrebbe riscaldarsi più del solito. Questo non influisce sull'apparecchio o sul risultato.
	Nel cestino ci sono resti di grasso di precedenti cotture.	Il fumo bianco è causato dal grasso che si scalda nel cestino. Assicuratevi di pulire bene il cestino dopo ogni utilizzo.
Le patatine vengono fritte in modo non uniforme nella friggitrice ad aria.	Non avete usato il tipo di patata giusto.	Utilizzi patate fresche e si assicuri che rimangano sode durante la frittura.
	Non ha sciacquato bene i bastoncini di patate prima di friggerli.	Sciacqui bene i bastoncini di patate per rimuovere l'amido dalla parte esterna dei bastoncini.

Le patatine non sono croccanti quando escono dalla friggitrice ad aria.	La croccantezza delle patatine dipende dalla quantità di olio e di acqua presenti nelle patatine.	Si assicuri di asciugare bene i bastoncini di patate prima di aggiungere l'olio.
		Tagli i bastoncini di patate più piccoli per un risultato più croccante.
		Aggiunga un po' più di olio per un risultato più croccante.

FREIDORA DE AIRE BXAF6500E

Distinguido cliente,

Muchas gracias por elegir comprar un producto de la marca Black+Decker.

Su tecnología, diseño y funcionalidad, junto con el hecho de superar las más estrictas normas de calidad le comportarán total satisfacción durante mucho tiempo.

CONSEJOS DE SEGURIDAD Y ADVERTENCIAS

- Lea atentamente estas instrucciones antes de poner en marcha el aparato y consérvelas para futuras consultas. La no observación y cumplimiento de estas instrucciones pueden comportar como resultado un accidente.
- Antes del primer uso, limpiar todas las partes del producto que puedan estar en contacto con alimentos, procediendo tal como se indica en el apartado de limpieza.
- Este aparato pueden utilizarlo niños con edad de 8 años y superior y personas con capacidades físicas, sensoriales o mentales reducidas o falta de experiencia y conocimiento, si se les ha dado la supervisión o formación apropiadas respecto al uso del aparato de una manera segura y comprenden los peligros que implica. Los niños no deben jugar con el aparato. La limpieza y el mantenimiento a realizar por el usuario no deben realizarlos los niños sin supervisión.
- Este aparato no está destinado a ser puesto en funcionamiento por medio

de un temporizador externo o un sistema separado de control remoto.

- Si el cable de alimentación está dañado, debe ser sustituido por el fabricante, por su servicio posventa o por personal cualificado similar con el fin de evitar un peligro.
- Este aparato está diseñado para ser utilizado en aplicaciones domésticas y similares, tales como:

- áreas de cocina para el personal en tiendas, oficinas y otros entornos de trabajo;
- casas de campo;
- por clientes en hoteles, moteles y otros entornos de tipo residencial;
- habitaciones de huéspedes.



PRECAUCIÓN, Superficies calientes.

- Antes de conectar el aparato a la red, verificar que el voltaje indicado en la placa de características coincida con el voltaje de red.
- Conectar el aparato a una toma de corriente que soporte como mínimo 10 amperios.
- La clavija del aparato debe coincidir con la base eléctrica de la toma de corriente. Nunca modificar la clavija. No usar adaptadores de clavija.
- No utilizar el aparato con el cable eléctrico o la clavija dañada.
- Si se rompe la carcasa del aparato, desconectar inmediatamente el aparato de la red eléctrica para evitar la posibilidad de sufrir una descarga eléctrica.
- No tirar del cable de alimentación. Nunca usar el cable eléctrico para levantar, transportar o desenchufar el aparato.
- No enrollar el cable eléctrico de conexión alrededor del aparato.
- Verificar el estado del cable eléctrico de conexión. Los cables dañados o enredados aumentan el riesgo de choque eléctrico.
- No dejar que el cable eléctrico de conexión cuelgue libremente ni que entre en contacto con las superficies calientes del aparato.

- No tocar la clavija de conexión con las manos mojadas.
- No utilizar ni guardar el aparato a la intemperie.
- No exponer el aparato a la lluvia o condiciones de humedad. El agua que entre en el aparato aumentará el riesgo de choque eléctrico.
- La temperatura de las superficies accesibles puede ser elevada cuando el aparato está en funcionamiento.
- No tocar las partes calefactadas del aparato, ya que pueden provocar quemaduras.

UTILIZACIÓN Y CUIDADOS

- Antes de cada uso, extienda completamente el cable de alimentación del aparato.
- No use el aparato si sus accesorios no están debidamente acoplados.
- No use el aparato si los accesorios acoplados a él presentan defectos. Proceda a sustituirlos inmediatamente.
- No utilice el aparato si está vacío.
- No use el aparato si el temporizador no funciona correctamente.
- No mueva el aparato mientras esté en uso.
- Para conservar el tratamiento antiadherente en buen estado, no utilice sobre él utensilios metálicos o punzantes.
- No llene demasiado el aparato.
- Desenchufe el aparato de la red cuando no se use y antes de realizar cualquier operación de limpieza.
- Guarde este aparato fuera del alcance de los niños y/o personas con capacidades físicas, sensoriales o mentales reducidas o falta de experiencia y conocimiento
- No guarde ni transporte el aparato si todavía está caliente.
- No deje nunca el aparato conectado y sin vigilancia. Además, ahorrará energía y prolongará la vida del aparato.
- Utilice solamente utensilios apropiados para soportar altas temperaturas.
- Como orientación, en la tabla anexa se indican una serie de recetas que incluyen la temperatura de cocción y el tiempo de funcionamiento del aparato.

DESCRIPCIÓN

A	Panel de control digital
B	Carcasa principal
C	Asa
D	Salida de aire
E	Rejilla antiadherente
F	Cesta

G	Cable de alimentación
H	Ventana

PANEL DE CONTROL

1	LCD
2	Botones de selección de temperatura
3	Selector de programa
4	Botones selectores de tiempo
5	Botón de encendido
6	Indicador del ventilador
7	Indicadores de temperatura/hora
8	Indicadores del programa
9	Indicador de trabajo

En caso de que su modelo de aparato no disponga de los accesorios descritos anteriormente, éstos también pueden adquirirse por separado en los Servicios de Asistencia Técnica.

MODO DE EMPLEO

NOTAS PREVIAS AL USO

- Asegúrese de que ha retirado todo el material de embalaje del producto.
- Antes de usar el producto por primera vez, limpie las partes en contacto con alimentos tal como se describe en el apartado de «Limpieza».

USO

- Desenrolle completamente el cable antes de enchufar.
- Enchufe el aparato a la red eléctrica.
- Saque la cesta de la freidora con cuidado.
- Nota: manipule la cesta utilizando el asa. No toque la cesta cuando esté caliente.
- Coloque los ingredientes que desea freír dentro de la cesta.
- Introduzca la cesta dentro de la freidora y pulse el botón de encendido.
- Una vez colocada la cesta correctamente en la carcasa principal, el piloto de encendido se iluminará.
- Ajuste la temperatura y la hora con los botones de selección de temperatura y de hora. La temperatura y el tiempo por defecto son 200°C y 15 minutos. En caso contrario, seleccione uno de los 8 modos predefinidos pulsando el botón selector de programas.
- Seleccione el botón de encendido para iniciar el proceso de cocción.

- Pulse la tecla de encendido durante 3 segundos para detener todo el aparato durante la cocción. En la pantalla aparecerá "OFF". El texto "OFF" de la pantalla desaparece, el ventilador deja de funcionar 20 segundos después y todo el aparato se apaga.

TIEMPO Y TEMPERATURA

- Si lo desea, también puede modificar los ajustes de temperatura y tiempo mediante los selectores de tiempo y temperatura.

PROGRAMAS PREESTABLECIDOS

- Este aparato dispone de 8 programas preestablecidos.
- Para seleccionar un programa, pulse el botón selector de programas.
- Al seleccionar el botón de encendido se iniciará el proceso de cocción.
- Si lo desea, también puede modificar los ajustes de temperatura y tiempo de los programas preestablecidos.
- Los botones selectores de temperatura permiten aumentar o disminuir la temperatura de cocción 5 °C cada vez. Si mantiene pulsada la tecla, la temperatura cambiará rápidamente. Botón de control de temperatura 80 °C - 200 °C.
- Los botones selectores de tiempo permiten aumentar o disminuir el tiempo de cocción, un minuto cada vez. Si mantiene pulsada la tecla, el tiempo cambiará rápidamente.
- La freidora emitirá varios pitidos cuando haya finalizado el tiempo de cocción y se apagará automáticamente.
- Compruebe que los alimentos están cocinados.
- Si no lo están, sólo tiene que volver a introducir el recipiente en la freidora y programar el temporizador para que se cocine durante unos minutos más.
- **ATENCIÓN:** La cesta y los alimentos estarán muy CALIENTES.
- Coloque la cesta sobre una superficie plana que pueda soportar altas temperaturas.
- Algunos ingredientes requieren agitación a mitad del tiempo de preparación. Para agitar los ingredientes, saque la cesta del aparato por el asa y agítela. A continuación, vuelva a introducir la cesta en la freidora de aire.

VENTANA

- Este aparato dispone de una ventana en la sartén para comprobar el estado de la cocción.

UNA VEZ FINALIZADO EL USO DEL APARATO

- Desenchufe el aparato de la red eléctrica.
- Deje que se enfríe.

- Limpie el aparato como se explica en el apartado "Limpieza".

LIMPIEZA

- Desenchufe el aparato de la red y déjelo enfriar antes de iniciar cualquier operación de limpieza.
- Limpie el aparato con un paño húmedo impregnado con unas gotas de detergente y secarlo después.
- No utilice disolventes o productos con pH ácido o básico, como lejía, ni productos abrasivos, para limpiar el aparato.
- No sumerja el aparato en agua u otro líquido, ni lo ponga bajo el grifo.
- Se recomienda limpiar el aparato regularmente y retirar todos los restos de alimentos.
- Si el aparato no se mantiene en buen estado de limpieza, su superficie puede degradarse y afectar de forma inexorable la duración de la vida del aparato y conducir a una situación peligrosa.
- Ninguna de las piezas de este aparato es apta para su limpieza en el lavavajillas. Pueden lavarse con agua caliente y jabón:

- Cesta
- Rejilla antiadherente

SERVICIO

- Toda utilización inadecuada, o en desacuerdo con las instrucciones de uso, puede comportar peligro, anulando la garantía y la responsabilidad del fabricante.

ANOMALÍAS Y REPARACIÓN

- En caso de avería lleve el aparato a un Servicio de Asistencia Técnica autorizado. No intente desmontarlo o repararlo ya que puede existir peligro.

GARANTÍA Y ASISTENCIA TÉCNICA

Este producto goza del reconocimiento y la protección de la garantía legal de acuerdo con la legislación vigente. Para hacer valer sus derechos o intereses, debe dirigirse a cualquiera de nuestros servicios oficiales de asistencia técnica.

Puede encontrar el más cercano accediendo al siguiente enlace web: <https://www.blackanddecker.eu/>

También puede solicitar información relacionada poniéndose en contacto con nosotros.

Puede descargar este manual de instrucciones y sus actualizaciones en <https://www.blackanddecker.eu/>.

PARA LAS VERSIONES EU DEL PRODUCTO Y/O EN EL CASO DE QUE EN SU PAÍS APLIQUE:

ECOLOGÍA Y RECICLABILIDAD DEL PRODUCTO

- Los materiales que constituyen el envase de este aparato, están integrados en un sistema de recogida, clasificación y reciclado de los mismos. Si desea deshacerse de ellos, puede utilizar los contenedores públicos apropiados para cada tipo de material.
- El producto está exento de concentraciones de sustancias que se puedan considerar dañinas para el medio ambiente.



Este símbolo significa que, si desea deshacerse del producto, una vez transcurrida la vida del mismo, debe depositarlo por los medios adecuados a manos de un gestor de residuos autoriza-

do para la recogida selectiva de Residuos de Aparatos Eléctricos y Electrónicos (RAEE).

- Este aparato cumple con la Directiva 2014/35/EU de Baja Tensión, con la Directiva 2014/30/EU de Compatibilidad Electromagnética, con la Directiva 2011/65/EU sobre restricciones a la utilización de determinadas sustancias peligrosas en aparatos eléctricos y electrónicos y con la Directiva 2009/125/EC sobre los requisitos de diseño ecológico aplicable a los productos relacionados con la energía

Black & Decker® y BLACK+DECKER™ y los logotipos de Black & Decker® y BLACK+DECKER™ son marcas registradas de The Black & Decker® Corporation y se utilizan bajo licencia. Todos los derechos reservados. Importado y distribuido por ENGINEERING AND TECHNOLOGY FOR LIFE, S.L. Avda. Barcelona s/n Oliana, 25790, Spain.

TABLA DE RECOMENDACIONES

- Aquí puede orientarse para las cocciones de diferentes alimentos.

Ingredientes	Cantidad mín-máx (g)	Tiempo (min)	Temperatura (°C)	Agitar	Información adicional
Patatas fritas congeladas	400-800	17-25	200	Agitar	
Muslos	600-800	22-25	180	Agitar	
Pizza	600-800	25-30	180		
Pescado	500-800	16-18	180		Dar la vuelta
Gambas	400-800	12-15	180	Agitar	
Filete	100-200	16-20	180		Dar la vuelta
Berenjena	400-600	17-22	160		
Bizcocho	120-250	17	160		

SOLUCIÓN DE PROBLEMAS

Problema	Causa posible	Solución
La freidora de aire no funciona.	El aparato no está enchufado.	Enchufe el cable de alimentación en una toma de pared con toma de tierra.
	El temporizador no está configurado.	Ajuste la tecla del temporizador al tiempo de preparación requerido para encender el aparato.
Los alimentos fritos en la AIR FRYER no están totalmente hechos.	La cantidad de ingredientes en la cesta es demasiado grande.	Ponga lotes más pequeños de ingredientes en la cesta. Las cantidades menores se sauden mejor, y se frien más uniformemente.
	La temperatura seleccionada es demasiado baja.	Establezca la tecla de temperatura en el ajuste de temperatura requerido. Véase "Tiempo y temperatura" en la sección "Instrucciones de uso".
	El tiempo de preparación es demasiado corto.	Ajuste el temporizador al tiempo de preparación requerido. Véase "Tiempo y temperatura" en la sección "Instrucciones de uso".
Los alimentos se frien de manera desigual.	Ciertos tipos de ingredientes deben agitarse a mitad del tiempo de preparación.	Cuando los alimentos se encuentran unos encima de otros (por ejemplo, patatas fritas) se tienen que agitar a mitad del tiempo de preparación. Véase "Tiempo y temperatura" en la sección "Instrucciones de uso".
Los fritos no salen crujientes.	Se utilizó un tipo de aperitivo destinado a ser preparado en una freidora tradicional.	Use aperitivos de horno o cepille ligeramente un poco de aceite sobre los aperitivos para un resultado más crujiente.
No se puede deslizar la cesta en el aparato.	Hay demasiados ingredientes en la cesta.	No llene la cesta más allá de la indicación MAX.
	La bandeja antiadherente no está colocada correctamente en la cesta.	Empuje la bandeja antiadherente hacia abajo en la cesta hasta que no pueda moverse más.
Sale humo blanco del aparato.	Está preparando ingredientes grasos.	Cuando fría ingredientes grasos en la freidora de aire, se filtrará una gran cantidad de aceite en la cesta. El aceite produce humo blanco y la cesta puede calentarse más de lo habitual. Esto no afecta al aparato ni al resultado.
	La cesta todavía contiene restos de grasa del uso anterior.	El humo blanco lo provoca la grasa que se calienta en la cesta. Asegúrese de limpiar la cesta correctamente después de cada uso.
Las patatas se frien de manera desigual.	No está usando el tipo de patata correcto.	Use patatas frescas y asegúrese de que permanezcan firmes durante la fritura.
	No enjuagó bien las patatas antes de freirlas.	Enjuague bien las patatas para quitarles el almidón del exterior.
Las patatas fritas no están crujientes cuando salen de la freidora de aire.	Que las patatas queden crujientes depende de la cantidad de aceite y agua en las patatas.	Asegúrese de secar bien las patatas antes de agregar el aceite.
		Corte las patatas más finas para un resultado más crujiente.
		Añada un poco más de aceite para un resultado más crujiente.

FRITADEIRA DE AR QUENTE BXAF6500E

Caro cliente,

Muito obrigado por escolher comprar um produto da marca Black+Decker.

A sua tecnologia, design e funcionalidade, aliados às mais rigorosas normas de qualidade, garantir-lhe-ão uma total satisfação durante muito tempo.

CONSELHOS E AVISOS DE SEGURANÇA

- Leia atentamente este manual de instruções antes de ligar o aparelho e guarde-o para consultas futuras. A não observância e cumprimento destas instruções pode resultar em acidente.
- Antes da primeira utilização, limpe todas as partes do aparelho que possam estar em contacto com os alimentos, procedendo como se indica no capítulo de limpeza.
- Este aparelho pode ser utilizado por pessoas não familiarizadas com a sua utilização, pessoas incapacitadas ou crianças a partir dos 8 anos, desde que o façam sob supervisão ou tenham recebido formação sobre a utilização segura do aparelho e compreendam os perigos que este acarreta. As crianças não devem brincar com o aparelho. As crianças não devem realizar operações de limpeza ou manutenção do aparelho, a menos que se encontrem sob a supervisão de um adulto.
- Este aparelho não se destina a ser operado por meio de um temporizador

externo ou de um sistema de controlo remoto separado.

- Se o cabo de alimentação estiver danificado, deve ser substituído pelo fabricante, ou pelo seu representante ou por pessoal qualificado, a fim de evitar situações de perigo.
- Este aparelho destina-se a ser utilizado em aplicações domésticas e similares, como por exemplo:
 - áreas de cozinha do pessoal em lojas, escritórios e outros ambientes de trabalho;
 - casas de quinta;
 - por clientes em hotéis, motéis e outros ambientes de tipo residencial;
 - ambientes de tipo cama e pequeno-almoço.



CUIDADO, Superfícies quentes.

- Antes de ligar o aparelho à corrente, verifique se a tensão indicada na placa de características corresponde à tensão da rede.
- Ligue o aparelho a uma tomada elétrica de pelo menos 10 amperes.
- A ficha do aparelho deve coincidir com a tomada de corrente elétrica. Nunca modifique a ficha. Não use adaptadores de ficha.
- Não utilize o aparelho se o cabo de alimentação ou a ficha estiverem danificados.
- Não puxe pelo cabo de alimentação. Nunca utilize o cabo de alimentação para levantar, transportar ou desligar o aparelho da corrente.
- Não enrole o cabo de alimentação no aparelho.
- Verificar o estado do cabo de alimentação. Se estiver danificado, aumentará o risco de choque elétrico.
- Não permitir que o cabo de alimentação fique pendurado livremente ou que entre em contacto com as superfícies quentes do aparelho.
- Se o invólucro do aparelho quebrar, desconecte imediatamente o aparelho da rede elétrica para evitar a possibilidade de choque elétrico.
- Não toque na ficha de ligação com as mãos molhadas.

- Apenas para uso interno.
- Não utilize nem guarde o aparelho ao ar livre.
- Não exponha o aparelho à chuva ou a condições de humidade. A água que entrar no aparelho aumentará o risco de choque elétrico.
- A temperatura das superfícies acessíveis pode ser elevada quando o aparelho está a ser utilizado.
- Não tocar em nenhuma parte aquecida, pois isto pode causar queimaduras graves.

UTILIZAÇÃO E CUIDADOS

- Antes de cada utilização, desenrole completamente o cabo de alimentação do aparelho.
- Não utilize o aparelho se as peças ou acessórios não estiverem devidamente encaixados.
- Não utilize o aparelho se os acessórios ou consumíveis montados apresentarem defeitos. Substitua-os imediatamente.
- Não use o aparelho vazio.
- Não utilize o aparelho se o temporizador não funcionar corretamente.
- Não mova o aparelho enquanto estiver em funcionamento.
- Para manter o tratamento antiaderente em bom estado, não utilize utensílios metálicos ou pontiagudos sobre o mesmo.
- Não encher demasiado o aparelho.
- Desligue o aparelho da corrente quando não estiver a ser utilizado e antes de iniciar qualquer operação de limpeza.
- Guarde o aparelho fora do alcance das crianças e de pessoas com capacidades físicas, sensoriais ou mentais reduzidas, ou que tenham falta de experiência e conhecimento
- Não guarde nem desloque o aparelho se ainda estiver quente.
- Nunca deixe o aparelho ligado e sem vigilância. Além disso, poupará energia e prolongará a vida do aparelho.
- Utilize apenas utensílios apropriados para suportar altas temperaturas.
- Para orientação, na tabela em anexo são indicadas uma série de receitas que incluem a temperatura de confeção e o tempo de funcionamento do aparelho.

DESCRIÇÃO

- | | |
|---|----------------------------|
| A | Painel de controlo digital |
| B | Caixa principal |
| C | Alça |

- | | |
|---|---------------------|
| D | Saída de ar |
| E | Grelha antiaderente |
| F | Frigideira |
| G | Cabo de alimentação |
| H | Janela |

PAINEL DE CONTROLO

- | | |
|---|----------------------------------|
| 1 | LCD |
| 2 | Botões seletores de temperatura |
| 3 | Selector de programas |
| 4 | Botões seletores de tempo |
| 5 | Botão de alimentação |
| 6 | Indicador do ventilador |
| 7 | Indicadores de temperatura/tempo |
| 8 | Indicadores do programa |
| 9 | Indicador de trabalho |

Caso o seu modelo de aparelho não disponha dos acessórios descritos anteriormente, pode adquiri-los separadamente nos Serviços de Assistência Técnica.

MODO DE UTILIZAÇÃO

NOTAS PARA ANTES DA UTILIZAÇÃO

- Certifique-se de que retirou todo o material de embalagem do produto.
- Antes de utilizar o produto pela primeira vez, limpe as partes em contacto com os alimentos tal como se descreve no capítulo de «Limpeza».

UTILIZAÇÃO

- Desenrole completamente o cabo de alimentação antes de o ligar à tomada.
- Ligue o aparelho à corrente elétrica.
- Retirar a frigideira da fritadeira com cuidado.
- Nota: manipular a frigideira com a alça da frigideira. Não toque na frigideira enquanto este estiver quente.
- Coloque os ingredientes que deseja fritar dentro da frigideira.
- Introduzir a frigideira no interior da fritadeira e premir o botão de alimentação.
- Uma vez que a frigideira esteja devidamente colocada no compartimento principal, a luz de alimentação acenderá.
- Ajuste a temperatura e o tempo usando os botões seletores de temperatura e de tempo. A temperatura e o tempo predefinidos são 200°C e 15 minutos. Caso con-

trário, selecione um dos 8 modos predefinidos premindo o botão de seleção do programa.

- Selecionar o botão de alimentação para iniciar o processo de cozedura.
- Premir a tecla de alimentação durante 3 segundos para parar todo o aparelho durante a cozedura. A indicação "OFF" aparece no ecrã. O texto "OFF" no ecrã desaparece, a ventoinha deixa de funcionar 20 segundos depois e todo o aparelho se desliga.

TEMPO E TEMPERATURA

- Se desejar, pode também alterar as definições de temperatura e tempo utilizando os seletores de tempo e temperatura.

PROGRAMAS PREDEFINIDOS

- Este aparelho possui 8 programas predefinidos.
- Para selecionar um programa, prima o botão de seleção de programas.
- Ao selecionar o botão de alimentação, o processo de cozedura é iniciado.
- Se desejar, você também pode alterar as configurações de temperatura e tempo para os programas predefinidos usando os ícones correspondentes.
- Os botões seletores de temperatura permitem aumentar ou diminuir a temperatura de cozedura em 5 °C de cada vez. Se mantiver a tecla premida, a temperatura muda rapidamente. Gama de controlo da temperatura: 80 °C - 200 °C.
- Os botões seletores de tempo permitem-lhe aumentar ou diminuir o tempo de cozedura, um minuto de cada vez. Se mantiver a tecla premida, a hora muda rapidamente.
- A fritadeira emite vários sinais sonoros quando o tempo de cozedura termina e desliga-se automaticamente.
- Verifique se os alimentos estão prontos.
- Se ainda não estiverem, só tem de voltar a colocar o cesto dentro do aparelho e programar o temporizador para mais alguns minutos.
- **ATENÇÃO:** A frigideira e os alimentos estarão bastante QUENTES.
- Colocar a frigideira sobre uma superfície plana que possa trabalhar com temperaturas elevadas.
- Alguns ingredientes devem ser agitados a meio do tempo de preparação. Para agitar os ingredientes, puxe a frigideira para fora do aparelho pela alça e agite-a. Em seguida, coloque o cesto de novo na fritadeira de ar quente.

JANELA

- Este aparelho dispõe de uma janela na frigideira para verificar o estado de cozedura durante a cozedura.

UMA VEZ CONCLUÍDA A UTILIZAÇÃO DO APARELHO

- Desligue o aparelho da corrente elétrica.
- Deixar arrefecer.
- Limpe o aparelho conforme explicado na seção «Limpeza».

LIMPEZA

- Desligue o aparelho da corrente elétrica e deixe-o arrefecer antes de iniciar qualquer operação de limpeza.
- Limpe o aparelho com um pano húmido com algumas gotas de detergente e seque-o de seguida.
- Não utilize solventes, produtos com um fator pH ácido ou básico como lixívia, nem produtos abrasivos para a limpeza do aparelho.
- Nunca mergulhe o aparelho dentro de água ou em qualquer outro líquido, nem o coloque debaixo da torneira.
- Recomenda-se limpar o aparelho regularmente e retirar todos os restos de alimentos.
- Se o aparelho não for mantido limpo, a sua superfície pode degradar-se e afetar de forma irreversível a duração da vida do aparelho e conduzir a uma situação de perigo.
- Nenhuma das partes deste aparelho é adequada para a limpeza na máquina de lavar loiça. Podem ser lavados em água quente com sabão.
 - Frigideira
 - Grelha antiaderente

SERVIÇO

- Qualquer utilização inadequada ou em desacordo com as instruções de utilização pode ser perigosa e anula a garantia e a responsabilidade do fabricante.

ANOMALIAS E REPARAÇÃO

- Em caso de avaria leve o aparelho a um Serviço de Assistência Técnica autorizado. Não tente desmontar ou reparar o aparelho, já que tal poderá acarretar perigos.

GARANTIA E ASSISTÊNCIA TÉCNICA

Este produto goza do reconhecimento e proteção da garantia legal de acordo com a legislação em vigor. Para fazer valer os seus direitos ou interesses, deverá dirigir-se a qualquer um dos nossos serviços oficiais de assistência técnica.

Pode encontrar o mais próximo acedendo à seguinte ligação web: <https://www.blackanddecker.eu/>

Você também pode solicitar informações relacionadas entrando em contato conosco.

Pode descarregar este manual de instruções e as suas atualizações em <https://www.blackanddecker.eu/>

PARA AS VERSÕES EU DO PRODUTO E/OU CASO APLICÁVEL NO SEU PAÍS ECOLOGIA E RECICLAGEM E DO PRODUTO

- Os materiais que constituem a embalagem deste aparelho estão integrados num sistema de recolha, classificação e reciclagem. Se deseja eliminar-los, utilize os contentores de reciclagem colocados à disposição para cada tipo de material.
- O produto está isento de concentrações de substâncias que possam ser consideradas nocivas para o ambiente.



Este símbolo significa que se deseja desfazer-se do produto depois de terminada a sua vida

útil, deve entregar-lo através dos meios adequados ao cuidado de um gestor de resíduos autorizado para a recolha seletiva de Resíduos de Equipamentos Elétricos e Eletrónicos (REEE).

- Este aparelho cumpre a Diretiva 2014/35/EU de Baixa Tensão, a Diretiva 2014/30/EU de Compatibilidade Eletromagnética, a Diretiva 2011/65/EU sobre restrições à utilização de determinadas substâncias perigosas em aparelhos elétricos e eletrónicos e a Diretiva 2009/125/EC sobre os requisitos de design ecológico aplicável aos produtos relacionados com a energia.

Black & Decker® e BLACK+DECKER™ e os logotipos Black & Decker® e BLACK+DECKER™ são marcas registradas da The Black & Decker® Corporation e são usadas sob licença. Todos os direitos reservados. Importado e Distribuído por ENGINEERING AND TECHNOLOGY FOR LIFE, SL Avda. Barcelona s/n Oliana, 25790, Espanha.

TABELA DE RECOMENDAÇÕES

- Pode guiar-se por aqui para cozinhar os diferentes tipos de alimentos.

Ingredientes	Mínimo-máximo Quantidade (g)	Tempo (min)	Temperatura (°C)	Agitar	Informação adicional
Batatas fritas congeladas	400-800	17-25	200	Agitar	
Coxas	600-800	22-25	180	Agitar	
Pizza	600-800	25-30	180		
Peixe	500-800	16-18	180		Dar a volta
Camarão	400-800	12-15	180	Agitar	
Filetes	100-200	16-20	180		Dar a volta
Beringela	400-600	<u>17-22</u>	160		
Bolachas	120-250	17	160		

RESOLUÇÃO DE PROBLEMAS

Problema	Causa possível	Solução
A fritadeira de ar quente não funciona.	O aparelho não está ligado à corrente elétrica.	Coloque a ficha do cabo de alimentação numa tomada de parede com ligação à terra.
	O temporizador não está configurado.	Regule a tecla do temporizador para o tempo de preparação necessário para ligar o aparelho.
Os ingredientes fritos com a fritadeira de ar quente não estão prontos.	A quantidade de ingredientes na frigideira é muito grande.	Coloque lotes menores de ingredientes na frigideira. Quantidades mais pequenas podem ser melhor agitadas e fritam mais uniformemente.
	A temperatura selecionada é demasiado baixa.	Defina a tecla de temperatura para a configuração de temperatura necessária. Ver "Tempo e temperatura" na secção "Instruções de utilização".
	O tempo de preparação é demasiado curto.	Defina o temporizador para o tempo de preparação necessário. Ver "Tempo e temperatura" na secção "Instruções de utilização".
Os ingredientes são fritos de forma desigual na fritadeira de ar quente.	Alguns tipos de ingredientes devem ser agitados a meio do tempo de preparação.	Os ingredientes que se encontram sobrepostos ou cruzados (por exemplo, batatas fritas) devem ser agitados a meio da preparação. Ver "Tempo e temperatura" na secção "Instruções de utilização".
Os aperitivos fritos não são estaladiços quando saem da fritadeira de ar quente.	Você usou um tipo de salgadinho feito para ser preparado em fritadeira tradicional.	Use salgadinhos de forno ou pincele levemente um pouco de óleo nos salgadinhos para obter um resultado mais crocante.
Não consegue deslizar a frigideira para dentro do aparelho corretamente.	Há muitos ingredientes na frigideira.	Não encha a frigideira além da indicação MAX.
	O tabuleiro antiaderente não está colocado correctamente na frigideira.	Empurre o tabuleiro antiaderente para dentro da frigideira até que não se possa mover mais.
Sai fumo branco do aparelho.	Você está preparando ingredientes gordurosos.	Ao fritar ingredientes gordurosos na fritadeira, uma grande quantidade de óleo vazará na fritadeira de ar quente. O óleo produz fumaça branca e a frigideira pode esquentar mais do que o normal. Isto não afecta o aparelho nem o resultado final.
	A frigideira ainda contém resíduos de gordura da utilização anterior.	O fumo branco é provocado pela gordura aquecida na frigideira. Certifique-se de limpar a frigideira adequadamente após cada uso.
Batatas fritas são fritas de forma desigual na fritadeira de ar quente.	Você não usou o tipo certo de batata.	Use batatas frescas e certifique-se de que elas permaneçam firmes durante a fritura.
	Você não enxaguou bem os palitos de batata antes de fritá-los.	Lave os palitos de batata adequadamente para remover o amido do lado de fora dos palitos.
As batatas fritas não são estaladiças quando saem da fritadeira de ar quente.	A crocância das batatas fritas depende da quantidade de óleo e água nas batatas fritas.	Certifique-se de secar bem os palitos de batata antes de adicionar o óleo.
		Corte os palitos de batata menores para um resultado mais crocante.
		Adicione um pouco mais de óleo para um resultado mais crocante.

AIRFRYER BXAF6500E

Geachte klant,

Hartelijk dank voor uw keuze voor een product van het merk Black+Decker.

De technologie, het ontwerp en de functionaliteit van dit product, dat voldoet aan de meest strikte kwaliteitseisen, staan garant voor langdurige tevredenheid.

VEILIGHEIDSADVIES EN WAARSCHUWINGEN

- Neem deze gebruiksaanwijzing aandachtig door voordat u het apparaat in gebruik neemt en bewaar haar voor toekomstig gebruik. Het niet opvolgen en naleven van deze instructies kan een ongeluk tot gevolg hebben.
- Reinig vóór gebruik alle onderdelen van het product die in contact komen met voedsel, zoals aangegeven in het reinigingsgedeelte.
- Dit toestel mag, onder toezicht, door personen met lichamelijke, zintuiglijke of geestelijke beperkingen, of met een gebrek aan ervaring en kennis, of kinderen vanaf 8 jaar gebruikt worden, mits zij voldoende informatie ontvangen hebben om het toestel op een veilige manier te kunnen gebruiken en de gevaren kennen. Kinderen mogen niet met het apparaat spelen. Door de gebruiker te verrichten reiniging en onderhoud mag alleen door kinderen uitgevoerd worden als zij daarbij onder toezicht staan.
- Dit apparaat is niet bedoeld om te worden bediend door middel van een

externe timer of een afzonderlijk afstandsbedieningssysteem.

- Als de voedingskabel beschadigd is, moet deze worden vervangen door de fabrikant, zijn onderhoudsagent of vergelijkbare gekwalificeerde personen om gevaar te vermijden.
- Dit apparaat is bedoeld voor gebruik in huishoudelijke en soortgelijke toepassingen zoals:
 - personeelskeukens in winkels, kantoren en andere werkomgevingen;
 - boerderijen;
 - door klanten in hotels, motels en andere residentiële omgevingen;
 - bed & breakfast-achtige omgevingen.



LET OP, hete oppervlakken.

- Alvorens het apparaat op het lichtnet aan te sluiten, controleer dat de aangegeven spanning op het kenplaatje overeenkomt met de netspanning.
- Sluit het apparaat aan op een stopcontact van minstens 10 ampère.
- De stekker van het apparaat moet geschikt zijn voor het stopcontact. Wijzig de stekker niet. Gebruik geen adapters.
- Gebruik het apparaat niet als het netsnoer of de stekker beschadigd is.
- Trek niet aan de voedingskabel. Gebruik het snoer nooit om het apparaat op te tillen, te transporteren of om de stekker uit het stopcontact te trekken.
- Wikkel het stroomsnoer niet om het apparaat.
- Controleer de toestand van de voedingskabel. Als deze beschadigd is, verhoogt dit het risico van een elektrische schok.
- Laat de aansluitkabel niet vrij hangen of in contact komen met de hete oppervlakken van het apparaat.
- Als de behuizing van het apparaat breekt, moet het apparaat onmiddellijk van het lichtnet worden losgekoppeld om de kans op een elektrische schok te voorkomen.
- Raak de stekker niet met natte handen aan.
- Alleen voor gebruik binnenshuis.

- Bewaar of gebruik het apparaat niet buitenshuis.
- Stel het apparaat niet aan regen of vochtigheid bloot. Water dat in het apparaat komt vergroot het risico van een elektrische schok.
- De temperatuur van de toegankelijke oppervlakken kan hoog oplopen wanneer het apparaat in gebruik is.
- Raak geen verwarmde onderdelen aan, want dat kan ernstige brandwonden veroorzaken.

GEBRUIK EN VERZORGING

- Verleng de voedingskabel van het apparaat volledig voor elk gebruik.
- Gebruik het apparaat niet als de onderdelen of accessoires niet goed gemonteerd zijn.
- Gebruik het apparaat niet als de accessoires die erop zijn bevestigd defect zijn. Vervang ze onmiddellijk.
- Gebruik het apparaat niet als het leeg is.
- Gebruik het apparaat niet als de timerschakelaar niet goed werkt.
- Verplaats het apparaat niet tijdens gebruik.
- Om de antiaanbaklaag in goede staat te houden, mag u er geen metalen of puntig keukengerei op gebruiken.
- Vul het apparaat niet te veel.
- Koppel het apparaat los van het elektriciteitsnet wanneer het niet in gebruik is en voordat u begint met schoonmaken.
- Bewaar dit apparaat buiten het bereik van kinderen en/of personen met een fysieke, zintuiglijke of mentale beperking of met een gebrek aan ervaring en kennis.
- Bewaar of vervoer het apparaat niet als het nog warm is.
- Laat het apparaat nooit aangesloten en onbeheerd achter als het niet in gebruik is. Dit bespaart energie en verlengt de levensduur van het apparaat.
- Gebruik alleen gereedschap dat geschikt is voor hoge temperaturen.
- Ter referentie vindt u in de bijgevoegde tabel een aanbeveling over de bereidingstemperatuur en de kooktijd voor verschillende maaltijden.

OMSCHRIJVING

A	Digitaal bedieningspaneel
B	Hoofdbehuizing
C	Handvat
D	Luchtuitlaat
E	Bakje met antiaanbaklaag
F	Koekenpan

G	Voedingskabel
H	Window

CONTROLEPANEEL

1	LCD
2	Temperatuurkeuzeknoppen
3	Programmakieler
4	Tijdskeuzeknoppen
5	Aan/uit-knop
6	Ventilatorindicator
7	Temperatuur-/tijdsindicatoren
8	Programma-indicatoren
9	Werkindicator

Als het model van uw apparaat niet over de hierboven beschreven accessoires beschikt, kunt u deze ook apart bij de technische ondersteuningsdienst kopen.

GEBRUIKSAANWIJZING

VOOR GEBRUIK

- Zorg ervoor dat de volledige verpakking van het product is verwijderd.
- Voordat u het product voor het eerst gebruikt, reinigt u de onderdelen die in contact komen met voedsel op de manier zoals beschreven in het hoofdstuk "Reiniging".

GEBRUIK

- Rol de kabel volledig uit voordat u deze aansluit.
- Sluit het apparaat aan op het elektriciteitsnet.
- Neem de koekenpan voorzichtig uit de frituurpan.
- Opmerking: manipuleer de koekenpan met behulp van het handvat van de koekenpan. Raak de koekenpan niet aan als deze warm is.
- Doe de ingrediënten die u wilt bakken in de koekenpan.
- Plaats de koekenpan in de friteuse en druk op de aan/uit-knop.
- Zodra de koekenpan correct in de hoofdbehuizing is geplaatst, gaat het voedingslampje branden.
- Stel de temperatuur en de tijd in met de temperatuurkeuzeknop en de tijdkeuzeknop. De standaard temperatuur en tijd zijn 200°C en 15 minuten. Kies anders een van de 8 voorgeprogrammeerde standen door op de programmakieler te drukken.
- Druk op de aan/uit-knop om het kookproces te starten.
- Druk 3 seconden op de aan/uit toets om het hele apparaat tijdens het koken te stoppen. "OFF" verschijnt op het scherm. De tekst "OFF" op het display verdwijnt, de

ventilator stopt 20 seconden later met werken en het hele apparaat wordt uitgeschakeld.

TIJD EN TEMPERATUUR

- Desgewenst kunt u ook de temperatuur- en tijdinstellingen wijzigen met behulp van de tijd- en temperatuurkeuzes.

VOORAF INGESTELDE PROGRAMMA'S

- Dit apparaat heeft 8 vooraf ingestelde programma's.
- Om een programma te kiezen, drukt u op de programmakiezer.
- Door de aan/uit-knop te selecteren start het kookproces.
- Desgewenst kunt u ook de temperatuur- en tijdinstellingen voor de vooraf ingestelde programma's wijzigen met behulp van de betreffende pictogrammen.
- Met de temperatuurkeuzetoetsen kunt u de kooktemperatuur telkens met 5 °C verhogen of verlagen. Door de toets ingedrukt te houden verandert de temperatuur snel. Temperatuurregelknop 80 °C - 200 °C.
- Met de tijdkeuzetoetsen kunt u de kooktijd verhogen of verlagen, één minuut per keer. Door de toets ingedrukt te houden verandert de tijd snel.
- De friteuse piept enkele malen wanneer de kooktijd is afgelopen en schakelt automatisch uit.
- Controleer of het eten gaar is.
- Als dat niet het geval is, hoeft u de container alleen maar terug in de friteuse te plaatsen en de timer te programmeren om nog een paar minuten te koken.
- **VOORZICHTIGHEID:** De koekenpan en het eten zullen erg HEET zijn.
- Plaats de koekenpan op een effen oppervlak dat bestand is tegen hoge temperaturen.
- Sommige ingrediënten moeten halverwege de bereidingstijd worden geschud. Om de ingrediënten te schudden, trekt u de koekenpan aan het handvat uit het apparaat en schudt u hem. Schuif dan de koekenpan terug in de friteuse.

WINDOW

- Dit apparaat heeft een venster in de braadpan om de kookstatus tijdens het koken te controleren.

ALS U KLAAR BENT MET HET GEBRUIK VAN HET APPARAATFR

- Haal de stekker van het apparaat uit het stopcontact.
- Laat het afkoelen.
- Maak het apparaat schoon zoals uitgelegd in het hoofdstuk "Reiniging"

REINIGING

- Koppel het apparaat los van het elektriciteitsnet en laat het afkoelen voordat u begint met schoonmaken.
- Reinig het apparaat met een vochtige doek met een paar druppels afwasmiddel en droog het daarna af.
- Gebruik geen oplosmiddelen of producten met een zure of basische pH, zoals bleekmiddel of schuurmiddelen, om het apparaat te reinigen.
- Dompel het apparaat nooit onder in water of een andere vloeistof en plaats het nooit onder stromend water.
- Het is raadzaam het apparaat regelmatig te reinigen en eventueel achtergebleven etenswaren te verwijderen.
- Als het apparaat niet in goede staat verkeert, kan het oppervlak verslechteren en onverbiddeijk van invloed zijn op de levensduur van het apparaat en kan het onveilig worden om te gebruiken.
- Beide onderdelen van dit apparaat zijn niet geschikt voor reiniging in de vaatwasser. Ze mogen gewassen worden in heet zeepwater.
 - Koekenpan
 - Bakje met antiaanbaklaag

REPARATIES

- Onjuist gebruik of een gebruik dat niet overeenstemt met de gebruiksaanwijzing kan gevaar inhouden en doet de garantie en de aansprakelijkheid van de fabrikant teniet.

STORINGEN EN REPARATIE

- Breng het apparaat bij storing naar een erkende Technische Dienst. Probeer het apparaat niet zelf te demonteren of te repareren, want dit kan gevaarlijk zijn.

GARANTIE EN TECHNISCHE BIJSTAND

Dit product geniet de erkenning en bescherming van de wettelijke garantie overeenkomstig de geldende wetgeving. Om uw rechten of belangen af te dwingen, moet u zich wenden tot een van onze officiële diensten voor technische bijstand.

U kunt de dichtstbijzijnde vinden via de volgende weblink: <https://www.blackanddecker.eu/>

U kunt ook gerelateerde informatie aanvragen door contact met ons op te nemen.

U kunt deze handleiding en de updates ervan downloaden op <https://www.blackanddecker.eu/>

VOOR EU-VERSIES VAN HET PRODUCT EN/OF INDIEN VAN TOEPASSING IN UW LAND MILIEUVRIENDELIJKHEID EN HERGEBRUIK VAN HET PRODUCT

- Het verpakkingsmateriaal van dit apparaat is geschikt voor inzameling, classificatie en hergebruik. U kunt dit materiaal wegwerpen in de openbare afvalcontainers die voor de desbetreffende typen materiaal zijn bestemd.
- Het product bevat geen stoffen in concentraties die als schadelijk voor het milieu beschouwd kunnen worden.



Dit symbool betekent dat u het product aan het eind van zijn levenscyclus moet afgeven aan een erkende afvalverwerker ten behoeve van de gescheiden verwerking van Afgedankte Elektrische en Elektronische Apparatuur (AEEA).

- Dit apparaat voldoet aan de laagspanningsrichtlijn 2014/35/EU, de richtlijn 2014/30/EU met betrekking tot elektromagnetische compatibiliteit, de richtlijn 2011/65/EU met betrekking tot beperkingen in de toepassing van bepaalde gevaarlijke stoffen in elektrische en elektronische apparaten en de richtlijn 2009/125/EC met betrekking tot de eisen inzake het ecologisch ontwerp van energie-gerelateerde producten.

Black & Decker® en BLACK+DECKER™ en de Black & Decker® en BLACK+DECKER™ logo's zijn geregistreerde handelsmerken van The Black & Decker® Corporation en worden onder licentie gebruikt. Alle rechten voorbehouden. Ingevoerd en gedistribueerd door ENGINEERING AND TECHNOLOGY FOR LIFE, S.L. Avda. Barcelona s/n Oliana, 25790, Spain.

TABEL MET AANBEVELINGEN

- Hier vindt u onze aanbeveling over het tijdstip en de temperatuur voor het frituren van verschillende maaltijden.

Ingrediënten	Min-max Hoeveelheid (g)	Tijd (min)	Temperatuur (°C)	Schud	Extra informatie
Bevroren frietjes	400-800	17-25	200	Schud	
Trommelstokken	600-800	22-25	180	Schud	
Pizza	600-800	25-30	180		
Vis	500-800	16-18	180		Draai je om.
Garnalen	400-800	12-15	180	Schud	
Steak	100-200	16-20	180		Draai je om.
Aubergine	400-600	17-22	160		
Taart	120-250	17	160		

PROBLEEMOPLOSSING

Probleem	Mogelijke oorzaak	oplossing
De luchtfriteuse werkt niet.	Het apparaat is niet aangesloten.	Steek de stekker van het netsnoer in een geaard stopcontact.
	Je hebt de timer niet ingesteld.	Zet de timertoets op de gewenste bereidingstijd om het apparaat in te schakelen.
De ingrediënten die met de luchtfriteuse worden gebakken zijn niet gaar.	De hoeveelheid ingrediënten in de koekenpan is te groot.	Doe kleinere partijen ingrediënten in het koekenpan. Kleinere porties worden gelijkmatiger gebakken.
	De ingestelde temperatuur is te laag.	Zet de temperatuurtoets op de gewenste temperatuurinstelling. Zie "Tijd en temperatuur" in het hoofdstuk "Gebruiksaanwijzing".
	De voorbereidingstijd is te kort.	Stel de timer in op de gewenste bereidingstijd. Zie "Tijd en temperatuur" in het hoofdstuk "Gebruiksaanwijzing".
De ingrediënten worden ongelijkmatig gebakken in de luchtfriteuse.	Bepaalde soorten ingrediënten moeten halverwege de bereidingstijd worden geschud.	Ingrediënten die op of over elkaar liggen (bijv. patat) moeten halverwege de bereidingstijd worden geschud. Zie "Tijd en temperatuur" in het hoofdstuk "Gebruiksaanwijzing".
Gefrituurde snacks zijn niet krokant als ze uit de luchtfriteuse komen.	U hebt een soort snack gebruikt die bedoeld is om in een traditionele frituurpan te worden bereid.	Gebruik ovenhapjes of bestrijk de hapjes lichtjes met olie voor een knapperiger resultaat.
Ik kan de koekenpan niet goed in het apparaat schuiven.	Er zitten te veel ingrediënten in de koekenpan.	Vul de koekenpan niet verder dan de MAX-indicatie.
	De anti-aanbakplaat is niet goed in de koekenpan geplaatst.	Duw de anti-aanbakplaat in de koekenpan tot hij niet verder kan.
Er komt witte rook uit het apparaat.	U bereidt vette ingrediënten.	Wanneer u vette ingrediënten in de luchtfriteuse bakt, lekt er een grote hoeveelheid olie in de koekenpan. De olie produceert witte rook, en de koekenpan kan meer opwarmen dan normaal. Dit heeft geen invloed op het toestel of het resultaat.
	De koekenpan bevat nog vetresten van eerder gebruik.	Witte rook wordt veroorzaakt door het opwarmen van vet in de koekenpan. Zorg ervoor dat u de koekenpan na elk gebruik goed schoonmaakt.
Verse friet wordt ongelijkmatig gebakken in de luchtfriteuse.	U hebt niet de juiste aardappelsoort gebruikt.	Gebruik verse aardappelen en zorg ervoor dat ze stevig blijven tijdens het bakken.
	U hebt de aardappelsticks niet goed afgespoeld voordat u ze ging bakken.	Spoel de aardappelsticks goed af om het zetmeel van de buitenkant van de sticks te verwijderen.
Verse frietjes zijn niet knapperig als ze uit de friteuse komen.	De knapperigheid van de frietjes hangt af van de hoeveelheid olie en water in de frietjes.	Zorg ervoor dat u de aardappelsticks goed droogt voordat u de olie toevoegt.
		Snij de aardappelsticks kleiner voor een knapperiger resultaat.
		Voeg iets meer olie toe voor een knapperiger resultaat.

FRYTOWNICA BXAF6500E

Szanowny Kliencie,

Dziękujemy, że zdecydowali się Państwo na zakup produktu marki Black+Decker.

Jego technologia, forma i funkcjonalność, jak również fakt, że spełnia on wszelkie normy jakości, dostarczy Państwu pełnej satysfakcji przez długi czas.

WSKAZÓWKI BEZPIECZEŃSTWA I OSTRZEŻENIA

- Przeczytać uważnie instrukcję przed uruchomieniem urządzenia i zachować ją w celu późniejszych konsultacji. Niedostosowanie się i nieprzestrzeganie niniejszych instrukcji może doprowadzić do wypadku.
- Przed użyciem należy wyczyścić wszystkie części produktu, które będą miały kontakt z żywnością, zgodnie z informacjami podanymi w części dotyczącej czyszczenia.
- To urządzenie może być używane przez dzieci w wieku 8 lat i powyżej oraz osoby o ograniczonej sprawności fizycznej, sensorycznej lub umysłowej lub nieposiadające doświadczenia i wiedzy, jeżeli były one nadzorowane lub odpowiednio przeszkolone w zakresie korzystania z urządzenia w sposób bezpieczny i rozumieją zagrożenia z tego wynikające. Dzieci nie powinny bawić się urządzeniem. Czyszczenie i konserwacja urządzenia nie powinny być wykonywane przez dzieci bez nadzoru dorosłych.
- Urządzenie nie jest przeznaczone do obsługi za pomocą zewnętrznego

zegara lub oddzielnego systemu zdalnego sterowania.

- Jeśli przewód zasilający jest uszkodzony, musi zostać wymieniony przez producenta, jego przedstawiciela serwisowego lub podobnie wykwalifikowane osoby, aby uniknąć zagrożenia.
- To urządzenie jest przeznaczone do użytku w gospodarstwach domowych i podobnych zastosowaniach, takich jak:
 - pomieszczenia kuchenne dla personelu w sklepach, biurach i innych środowiskach pracy;
 - gospodarstwa rolne;
 - przez klientów w hotelach, motelach i innych środowiskach mieszkalnych;
 - środowiska typu "bed and breakfast".



UWAGA, gorące powierzchnie.

- Przed podłączeniem maszyny do sieci, sprawdź czy napięcie wskazane na tabliczce znamionowej odpowiada napięciu sieci.
- Podłączyć urządzenie do gniazdka sieciowego o natężeniu co najmniej 10 amperów.
- Wtyczka urządzenia powinna być zgodna z podstawą elektryczną gniazdka. Nigdy nie modyfikować wtyczki. Nie używać przejściówek dla wtyczki.
- Nie używaj urządzenia, jeśli przewód zasilający lub wtyczka są uszkodzone.
- Nie ciągnąć za przewód zasilający. Nie używać nigdy kabla elektrycznego do podnoszenia, przenoszenia ani wyłączania urządzenia.
- Nie zwijać kabla elektrycznego podłączenia wokół urządzenia.
- Sprawdzić stan przewodu zasilającego. Jego uszkodzenie zwiększa ryzyko porażenia prądem.
- Nie dopuścić, aby kabel przyłączeniowy zwisał swobodnie lub stykał się z gorącymi powierzchniami urządzenia.

- Jeżeli obudowa urządzenia pęknie, należy natychmiast odłączyć urządzenie od sieci, aby zapobiec możliwości porażenia prądem.
- Nie dotykać wtyczki mokrymi rękoma.
- Tylko do użytku wewnętrznego.
- Nie używać, ani nie przechowywać urządzenia na zewnątrz.
- Nie wystawiać urządzenia na deszcz ani narażać na warunki wilgotności. Woda, która dostanie się do urządzenia zwiększy ryzyko porażenia prądem.
- Temperatura dostępnych powierzchni może być wysoka, gdy urządzenie jest w użyciu.
- Nie należy dotykać żadnej nagrzonej części, gdyż może to spowodować poważne oparzenia.

ZASTOSOWANIE I PIELĘGNACJA

- Przed każdym użyciem należy w pełni rozwinąć kabel zasilający urządzenia.
- Nie należy używać urządzenia, jeżeli części lub akcesoria nie są prawidłowo zamontowane.
- Nie należy używać urządzenia, jeśli dołączone do niego akcesoria są uszkodzone. Wymień je natychmiast.
- Nie używać urządzenia, gdy jest puste.
- Nie należy używać urządzenia, jeśli przełącznik czasowy nie działa prawidłowo.
- Nie należy przenosić urządzenia w trakcie użytkowania.
- Aby utrzymać powłokę nieprzywierającą w dobrym stanie, nie należy używać na niej metalowych lub spiczastych przyborów.
- Nie przepelniać urządzenia.
- Odłącz urządzenie od sieci, gdy nie jest używane i przed podjęciem jakichkolwiek czynności związanych z czyszczeniem.
- Urządzenie należy przechowywać w miejscu niedostępnym dla dzieci i/lub osób o ograniczonej sprawności fizycznej, sensorycznej, umysłowej lub braku doświadczenia i wiedzy.
- Nie należy przechowywać ani transportować urządzenia, gdy jest ono jeszcze gorące.
- Nigdy nie pozostawiaj urządzenia podłączonego i bez nadzoru, jeśli nie jest używane. Dzięki temu oszczędza się energię i przedłuża żywotność urządzenia.
- Używaj tylko przyborów odpowiednich do utrzymywania wysokich temperatur.
- Jako odniesienie, w załączonej tabeli znajdują Państwo zalecenia dotyczące temperatury i czasu gotowania dla kilku posiłków.

OPIS

A	Cyfrowy panel sterowania
B	Główna obudowa
C	Uchwyt
D	Wylot powietrza
E	Taca nieprzywierająca
F	Garnek do smażenia
G	Przewód zasilający
H	Window

PANEL KONTROLNY

1	LCD
2	Przyciski wyboru temperatury
3	Selektor programów
4	Przyciski wyboru czasu
5	Przycisk zasilania
6	Wskaźnik wentylatora
7	Wskaźniki temperatury/czasu
8	Wskaźniki programu
9	Wskaźnik pracy

Jeśli model Państwa urządzenia nie posiada opisanych powyżej akcesoriów, można je również zakupić oddzielnie w Serwisie Pomocy Technicznej.

INSTRUKCJA UŻYTKOWANIA

PRZED UŻYCIEM

- Upewnij się, że całe opakowanie produktu zostało usunięte.
- Przed pierwszym użyciem produktu należy oczyścić części, które będą miały kontakt z żywnością, w sposób opisany w rozdziale "Czyszczenie".

UŻYCIEM

- Przed podłączeniem kabla należy go całkowicie rozwinąć.
- Podłączyc urządzenie do sieci elektrycznej.
- Wyjmij ostrożnie garnek z frytkownicy.
- Uwaga: manipulować garnkiem za pomocą uchwytu garnka. Nie dotykaj garnka, gdy jest gorący.
- Do środka garnka włóż składniki, które chcesz usmażyć.
- Wprowadzić garnek do wnętrza frytkownicy i nacisnąć przycisk zasilania.
- Po prawidłowym umieszczeniu doniczki w obudowie głównej, zapali się lampka kontrolna zasilania.

- Dostosuj temperaturę i czas za pomocą przycisków wyboru temperatury i czasu. Domyślna temperatura i czas to 200°C i 15 minut. W przeciwnym razie wybierz jeden z 8 zaprogramowanych trybów, naciskając przycisk wyboru programu.
- Wybierz przycisk zasilania, aby rozpocząć proces gotowania.
- Naciśnij przycisk zasilania przez 3 sekundy, aby zatrzymać całe urządzenie podczas gotowania. "OFF" pojawi się na ekranie. Tekst "OFF" na wyświetlaczu znika, wentylator przestaje działać 20 sekund później, a całe urządzenie wyłącza się.

CZAS I TEMPERATURA

- Jeśli chcesz, możesz również zmienić ustawienia temperatury i czasu za pomocą selektorów czasu i temperatury.

WSTĘPNIE USTAWIONE PROGRAMY

- To urządzenie ma 8 wstępnie ustawionych programów.
- Aby wybrać program, naciśnij przycisk wyboru programu.
- Wybranie przycisku zasilania spowoduje rozpoczęcie procesu gotowania.
- W razie potrzeby można również zmienić ustawienia temperatury i czasu dla ustawionych programów za pomocą odpowiednich ikon.
- Przyciski wyboru temperatury umożliwiają zwiększenie lub zmniejszenie temperatury gotowania o 5 °C jednorazowo. Przytrzymanie klawisza powoduje szybką zmianę temperatury. Przycisk regulacji temperatury 80°C - 200°C.
- Przyciski wyboru czasu umożliwiają zwiększenie lub zmniejszenie czasu gotowania, każdorazowo o jedną minutę. Przytrzymanie wciśniętego klawisza spowoduje szybką zmianę czasu.
- Frytownica wyda kilkukrotny sygnał dźwiękowy po zakończeniu czasu gotowania i wyłączy się automatycznie.
- Sprawdź, czy jedzenie jest ugotowane.
- Jeśli nie jest, wystarczy włożyć pojemnik z powrotem do frytkownicy i zaprogramować timer, aby gotować jeszcze przez kilka minut.
- UWAGA: Garnek i jedzenie będą bardzo HOT.
- Umieść garnek do smażenia nad gładką powierzchnią, która jest w stanie pracować z wysoką temperaturą.
- Niektóre składniki wymagają wstrząśnięcia w połowie czasu przygotowania. Aby wstrząsnąć składnikami, należy wyciągnąć garnek z urządzenia za uchwyt i wstrząsnąć nim. Następnie wsunąć garnek z powrotem do frytkownicy.

WINDOW

- To urządzenie ma okienko w garnku do smażenia, które umożliwia sprawdzanie stanu gotowania podczas gotowania.

PO ZAKOŃCZENIU UŻYTKOWANIA URZĄDZENIA

- Odłącz urządzenie od sieci elektrycznej.
- Pozostawić do ostygnięcia.
- Wyczyścić urządzenie w sposób opisany w rozdziale "Czyszczenie".

CZYSZCZENIE

- Przed przystąpieniem do czyszczenia należy odłączyć urządzenie od sieci i pozostawić je do ostygnięcia.
- Wyczyścić sprzęt wilgotną szmatką z kilkoma kroplami płynu do mycia naczyń, a następnie wysuszyć.
- Do czyszczenia urządzenia nie należy używać rozpuszczalników, produktów o kwaśnym lub zasadowym pH, takich jak wybielacze, ani produktów ściernych.
- Nigdy nie zanurzaj urządzenia w wodzie lub innej cieczy ani nie umieszczaj go pod bieżącą wodą.
- Wskazane jest regularne czyszczenie urządzenia i usuwanie resztek jedzenia.
- Jeśli urządzenie nie jest w dobrym stanie czystości, jego powierzchnia może ulec degradacji i nieublaganie wpłynąć na długość okresu użytkowania urządzenia, a także może stać się niebezpieczne w użytkowaniu.
- Żadna z części tego urządzenia nie nadaje się do mycia w zmywarce. Można je myć w ciepłej wodzie z mydłem.
 - Garnek do smażenia
 - Taca nieprzywierająca

OBSŁUGA

- Wszelkie niewłaściwe użycie lub niezgodne z instrukcją obsługi może doprowadzić do niebezpieczeństwa, anulując przy tym gwarancję i odpowiedzialność producenta.

NIEPRAWIDŁOWOŚCI I NAPRAWA

- W razie awarii zanieść urządzenie do autoryzowanego Serwisu Technicznego. Nie próbować rozbierać urządzenia ani go naprawiać, ponieważ może to być niebezpieczne.

GWARANCJA I POMOC TECHNICZNA

Produkt ten korzysta z uznania i ochrony gwarancji prawnej zgodnie z obowiązującymi przepisami. Aby dochodzić

swoich praw lub interesów, muszą Państwo udać się do któregoś z naszych oficjalnych serwisów pomocy technicznej.

Najbliższą można znaleźć pod następującym adresem internetowym: <https://www.blackanddecker.eu/>

Mogą Państwo również poprosić o odpowiednie informacje, kontaktując się z nami.

Niniejszą instrukcję oraz jej aktualizacje można pobrać ze strony <https://www.blackanddecker.eu/>.

DLA URZĄDZEŃ WYPRODUKOWANYCH W UNII EUROPEJSKIEJ I W PRZYPADKU WYMAGAŃ PRAWNYCH OBOWIĄZUJĄCYCH W DANYM KRAJU EKOLOGIA I ZARZĄDZANIE ODPADAMI

- Materiały, z których wykonane jest opakowanie tego urządzenia, znajdują się w ramach systemu zbierania, klasyfikacji oraz ich odzysku. Jeżeli chcecie Państwo się ich pozbyć, należy umieścić je w kontenerze przeznaczonym do tego typu materiałów.
- Produkt nie zawiera koncentracji substancji, które mogłyby być uznane za szkodliwe dla środowiska.



Symbol ten oznacza, że jeśli chcecie się Państwo pozbyć tego produktu po zakończeniu okresu jego użytkowania, należy go przekazać przy zastosowaniu określonych środków do autoryzowanego podmiotu zarządzającego odpadami w celu przeprowadzenia selektywnej zbiórki Odpadów Urządzeń Elektrycznych i Elektronicznych (WEEE).

- To urządzenie jest zgodne z dyrektywą 2014/35/EU niskonapięciowych 2014/30/EU o Kompatybilność elektromagnetycznej, z dyrektywą 2011/65/EU w sprawie ograniczenia stosowania niektórych niebezpiecznych substancji w sprzęcie elektrycznym i elektronicznym oraz dyrektywą 2009/125/EC w sprawie wymogów dotyczących ekoprojektu stosowanego w produktach związanych z energią.

Black & Decker® i BLACK+DECKER™ oraz logo Black & Decker® i BLACK+DECKER™ są zarejestrowanymi znakami towarowymi The Black & Decker Corporation i są używane na podstawie licencji. Wszelkie prawa zastrzeżone. Importowane i dystrybuowane przez ENGINEERING AND TECHNOLOGY FOR LIFE, S.L. Avda. Barcelona s/n Ollana, 25790, Spain.

TABELA ZALECEŃ

- Tutaj znajdziesz nasze zalecenia dotyczące czasu i temperatury smażenia różnych potraw.

Składniki	Min-max Ilość (g)	Czas (min)	Temperatura (°C)	Shake	Informacje dodatkowe
Mrożone frytki	400-800	17-25	200	Shake	
Paleczki perkusyjne	600-800	22-25	180	Shake	
Pizza	600-800	25-30	180		
Ryby	500-800	16-18	180		Odwróć się
Krewetki	400-800	12-15	180	Shake	
Śtek	100-200	16-20	180		Odwróć się
Bakłażan	400-600	17-22	160		
Ciasto	120-250	17	160		

ROZWIĄZYWANIE PROBLEMÓW

Problem	Możliwa przyczyna	Rozwiązanie
Nie działa AIR FRYER.	Urządzenie nie jest podłączone do prądu.	Włożyć wtyczkę przewodu zasilającego do uzziemionego gniazdka ściennego.
	Nie ustawiłeś timera.	Ustawić przycisk timera na wymagany czas przygotowania do włączenia urządzenia.
Składniki smażone we frytkownicy nie są gotowe.	Ilość składników w garnku do smażenia jest zbyt duża.	Włożyć do kosza mniejsze partie składników. Mniejsze partie są smażone bardziej równomiernie.
	Ustawiona temperatura jest zbyt niska.	Ustawić przycisk temperatury na żądane ustawienie temperatury. Patrz "Czas i temperatura" w rozdziale "Instrukcja obsługi".
	Czas przygotowania jest zbyt krótki.	Ustawić timer na wymagany czas przygotowania. Patrz "Czas i temperatura" w rozdziale "Instrukcja obsługi".
Świeże frytki są nierówno smażone we frytkownicy powietrznej.	Niektóre rodzaje składników wymagają wstrząśnięcia w połowie czasu przygotowania.	Składniki, które leżą na sobie lub w poprzek (np. frytki), należy wstrząsnąć w połowie czasu przygotowania. Patrz "Czas i temperatura" w rozdziale "Instrukcja obsługi".
Smażone przekąski nie są chrupiące po wyjściu z AIR FRYER.	Użył Pan rodzaju przekąski przeznaczonej do przygotowania w tradycyjnej frytkownicy.	Używać przekąsek z piekarnika lub lekko posmarować je olejem, aby uzyskać bardziej chrupiący efekt.
Nie mogą prawidłowo wsunąć patelni do urządzenia.	W garnku znajduje się zbyt wiele składników.	Nie należy napełniać garnka poza wskazanie MAX.
	Taca nieprzywierająca nie jest prawidłowo umieszczona w naczyniu do smażenia.	Wepchnij tacę nieprzywierającą w dół do garnka, aż nie będzie mogła się dalej poruszać.
Z urządzenia wydobywa się biały dym.	Przygotowują Państwo tłuste składniki.	Podczas smażenia tłustych składników we frytkownicy, duża ilość oleju wycieka do garnka. Z oleju wydobywa się biały dym, a garnek może nagrzewać się bardziej niż zwykle. Nie ma to wpływu na urządzenie ani na wynik.
	Garnek zawiera jeszcze pozostałości tłuszczu z poprzedniego użytkowania.	Biały dym jest spowodowany nagrzewaniem się tłuszczu w garnku. Należy pamiętać, aby po każdym użyciu dobrze wyczyścić patelnię.
Świeże frytki są nierówno smażone we frytkownicy powietrznej.	Nie użył Pan właściwego rodzaju ziemniaków.	Należy używać świeżych ziemniaków i upewnić się, że podczas smażenia pozostała jędrne.
	Nie opłukał Pan odpowiednio pałeczek ziemniaczanych przed ich usmażeniem.	Dobrze opłukać pałeczki ziemniaczane, aby usunąć skrobię z zewnętrznej strony pałeczek.
Smażone przekąski nie są chrupiące po wyjściu z AIR FRYER.	Chrupkość frytek zależy od ilości oleju i wody w frytkach.	Upewnić się, że patyczki ziemniaczane są dobrze wysuszone przed dodaniem oleju.
		Pokroić pałeczki ziemniaczane na mniejsze kawałki, aby uzyskać bardziej chrupiący efekt.
		Dodać nieco więcej oleju, aby uzyskać bardziej chrupiący efekt.

ΦΡΙΤΕΖΑ ΑΕΡΑ ΒΧΑΦ6500Ε

Αξιότιμε πελάτη,

Σας ευχαριστούμε πολύ που επιλέξατε να αγοράσετε ένα προϊόν της μάρκας Black+Decker.

Η τεχνολογία, ο σχεδιασμός και η λειτουργία του, σε συνδυασμό με το γεγονός ότι το προϊόν πληροί τις αυστηρότερες προδιαγραφές ποιότητας θα σας εξασφαλίσουν πλήρη ικανοποίηση για πολύ καιρό.

ΣΥΜΒΟΥΛΕΣ ΑΣΦΑΛΕΙΑΣ ΚΑΙ ΠΡΟΕΙΔΟΠΟΙΗΣΕΙΣ

- Διαβάστε προσεκτικά το παρόν φυλλάδιο οδηγιών πριν θέσετε σε λειτουργία τη συσκευή, και φυλάξτε το για να το συμβουλευέστε στο μέλλον. Η μη τήρηση και μη συμμόρφωση με τις εν λόγω οδηγίες μπορούν να οδηγήσουν σε ατύχημα.
- Καθαρίστε όλα τα μέρη του προϊόντος που θα έρθουν σε επαφή με τρόφιμα, όπως υποδεικνύεται στο τμήμα καθαρισμού, πριν από τη χρήση.
- Αυτή τη συσκευή μπορούν να τη χρησιμοποιούν παιδιά ηλικίας 8 ετών και άνω καθώς επίσης και άτομα με μειωμένες σωματικές, αισθητηριακές ή διανοητικές ικανότητες ή με έλλειψη εμπειρίας ή γνώσεων, εφόσον τους παρέχεται η κατάλληλη εποπτεία ή εκπαιδευτούν στην ασφαλή χρήση της συσκευής και εφόσον κατανοούν τους κινδύνους που εγκυμονεί. Τα παιδιά δεν πρέπει να παίζουν με τη συσκευή. Οι εργασίες καθαριότητας και συντήρησης που οφείλει να πραγματοποιεί ο χρήστης δεν πρέπει

να εκτελούνται από παιδιά χωρίς επιτήρηση.

- Αυτή η συσκευή δεν προορίζεται για λειτουργία μέσω εξωτερικού χρονοδιακόπτη ή ξεχωριστού συστήματος τηλεχειρισμού.
- Εάν το καλώδιο τροφοδοσίας έχει υποστεί ζημιά, πρέπει να αντικατασταθεί από τον κατασκευαστή, τον αντιπρόσωπο σέρβις του ή παρόμοια ειδικευμένα άτομα για να αποφευχθεί ο κίνδυνος.
- Αυτή η συσκευή προορίζεται για χρήση σε οικιακές και παρόμοιες εφαρμογές όπως:
 - χώρους κουζίνας προσωπικού σε καταστήματα, γραφεία και άλλα εργασιακά περιβάλλοντα,
 - αγροικίες,
 - από πελάτες σε ξενοδοχεία, μοτέλ και άλλα περιβάλλοντα οικιακού τύπου,
 - σε περιβάλλοντα τύπου bed and breakfast.



ΠΡΟΣΟΧΗ, καυτές επιφάνειες.

- Πριν συνδέσετε τη συσκευή στο ρεύμα, ελέγξτε ότι η τάση που αναφέρεται στην πινακίδα σήμανσης συμπίπτει με την τάση του ρεύματος.
- Συνδέστε τη συσκευή σε πρίζα δικτύου με ονομαστική ισχύ τουλάχιστον 10 αμπέρ.
- Το βύσμα της πρίζας της συσκευής πρέπει να συμπίπτει με την ηλεκτρική βάση λήψης ρεύματος. Μην αλλάζετε ποτέ το βύσμα της πρίζας. Μη χρησιμοποιείται μετασχηματιστές στο βύσμα της πρίζας.
- Μην χρησιμοποιείτε τη συσκευή εάν το καλώδιο τροφοδοσίας ή το βύσμα έχει υποστεί ζημιά.
- Μην τραβάτε το καλώδιο τροφοδοσίας. Μη χρησιμοποιείτε ποτέ το ηλεκτρικό καλώδιο για να σηκώνετε, να μεταφέρετε ή να βγάλετε από την πρίζα τη συσκευή.

- Μην τυλίγετε το ηλεκτρικό καλώδιο σύνδεσης γύρω από τη συσκευή.
- Ελέγξτε την κατάσταση του καλωδίου τροφοδοσίας. Εάν υποστεί ζημιά, θα αυξηθεί ο κίνδυνος ηλεκτροπληξίας.
- Μην αφήνετε το καλώδιο σύνδεσης να κρέμεται ελεύθερα ή να έρχεται σε επαφή με τις θερμές επιφάνειες της συσκευής.
- Εάν το περίβλημα της συσκευής σπάσει, αποσυνδέστε αμέσως τη συσκευή από το ηλεκτρικό δίκτυο για να αποφύγετε την πιθανότητα ηλεκτροπληξίας.
- Μην αγγίζετε το βύσμα σύνδεσης με υγρά χέρια.
- Μόνο για εσωτερική χρήση.
- Μη χρησιμοποιείτε ούτε να φυλάσσετε τη συσκευή σε εξωτερικούς χώρους.
- Μην αφήνετε τη συσκευή εκτεθειμένη σε βροχή ή υγρασία. Το νερό που εισέρχεται στη συσκευή αυξάνει τον κίνδυνο ηλεκτροπληξίας.
- Η θερμοκρασία των προσβάσιμων επιφανειών μπορεί να είναι υψηλή όταν η συσκευή είναι σε λειτουργία.
- Μην αγγίζετε κανένα θερμαινόμενο μέρος, καθώς αυτό μπορεί να προκαλέσει σοβαρά εγκαύματα.

ΧΡΗΣΗ ΚΑΙ ΦΡΟΝΤΙΔΑ

- Επεκτείνετε πλήρως το καλώδιο τροφοδοσίας της συσκευής πριν από κάθε χρήση.
- Μη χρησιμοποιείτε τη συσκευή εάν τα εξαρτήματα ή τα εξαρτήματα δεν έχουν τοποθετηθεί σωστά.
- Μην χρησιμοποιείτε τη συσκευή εάν τα εξαρτήματα που είναι προσαρτημένα σε αυτήν είναι ελαττωματικά. Αντικαταστήστε τα αμέσως.
- Μη χρησιμοποιείτε τη συσκευή όταν είναι άδεια.
- Μην χρησιμοποιείτε τη συσκευή εάν ο διακόπτης χρονοδιακόπτη δεν λειτουργεί σωστά.
- Μην μετακινείτε τη συσκευή κατά τη χρήση.
- Για να διατηρήσετε την αντικολητική θεραπεία σε καλή κατάσταση, μην χρησιμοποιείτε μεταλλικά ή μυτερά σκεύη πάνω της.
- Μην υπερπληρώνετε τη συσκευή.
- Αποσυνδέστε τη συσκευή από το δίκτυο όταν δεν χρησιμοποιείται και πριν αναλάβετε οποιαδήποτε εργασία καθαρισμού.
- Αποθηκεύστε αυτή τη συσκευή μακριά από παιδιά ή / και άτομα με σωματική, αισθητηριακή ή μειωμένη ψυχική ή έλλειψη εμπειρίας και γνώσης.
- Μην αποθηκεύετε ή μεταφέρετε τη συσκευή εάν είναι ακόμα ζεστή.
- Μην αφήνετε ποτέ τη συσκευή συνδεδεμένη και χωρίς επίβλεψη εάν δεν χρησιμοποιείται. Αυτό εξοικονομεί ενέργεια και παρατείνει τη διάρκεια ζωής της συσκευής.

- Χρησιμοποιείτε μόνο σκεύη κατάλληλα για την υποστήριξη υψηλών θερμοκρασιών.
- Ως αναφορά, στον συνημμένο πίνακα θα βρείτε μια σύσταση σχετικά με τη θερμοκρασία μαγειρέματος και το χρόνο για πολλά γεύματα.

ΠΕΡΙΓΡΑΦΗ

A	Ψηφιακός πίνακας ελέγχου
B	Κύριο περίβλημα
C	Λαβή
D	Έξοδος αέρα
E	Αντικολλητικός δίσκος
F	Τηγάκι
G	Καλώδιο τροφοδοσίας
H	Παράθυρο

ΠΙΝΑΚΑΣ ΕΛΕΓΧΟΥ

1	LCD
2	Κουμπιά επιλογής θερμοκρασίας
3	Επιλογέας προγράμματος
4	Κουμπιά επιλογής χρόνου
5	Κουμπιά λειτουργίας
6	Ένδειξη ανεμιστήρα
7	Δείκτης θερμοκρασίας/χρόνου
8	Δείκτης προγράμματος
9	Δείκτης εργασίας

Εάν το μοντέλο της συσκευής σας δεν διαθέτει τα αξεσουάρ που περιγράφονται παραπάνω, μπορούν επίσης να αγοραστούν ξεχωριστά από την Υπηρεσία Τεχνικής Βοήθειας.

ΟΔΗΓΙΕΣ ΧΡΗΣΗΣ

ΠΡΙΝ ΑΠΟ ΤΗ ΧΡΗΣΗ

- Βεβαιωθείτε ότι έχει αφαιρεθεί ολόκληρη η συσκευασία του προϊόντος.
- Πριν χρησιμοποιήσετε το προϊόν για πρώτη φορά, καθαρίστε τα μέρη που θα έρθουν σε επαφή με τρόφιμα με τον τρόπο που περιγράφεται στην ενότητα «Καθαρισμός» .

ΧΡΗΣΗ

- Ξετυλίξτε εντελώς το καλώδιο πριν το συνδέσετε.
- Συνδέστε τη συσκευή στο ρεύμα.
- Βγάλετε προσεκτικά το τηγάκι από τη φριτζέζα.

- Σημείωση: χειριστείτε το τηγάνι χρησιμοποιώντας τη λαβή του τηγανιού. Μην αγγίζετε το τηγάνι όταν είναι καυτό.
- Βάλτε τα υλικά που θέλετε να τηγανίσετε μέσα στο τηγάνι.
- Τοποθετήστε το δοχείο τηγανίσματος μέσα στη φριτέζα και πατήστε το κουμπί λειτουργίας.
- Μόλις το δοχείο τοποθετηθεί σωστά στο κύριο περίβλημα, η λυχνία τροφοδοσίας θα ανάψει.
- Ρυθμίστε τη θερμοκρασία και το χρόνο με τα κουμπιά επιλογής θερμοκρασίας και χρόνου. Η προεπιλεγμένη θερμοκρασία και χρόνος είναι 200°C και 15 λεπτά. Διαφορετικά, επιλέξτε μία από τις 8 προκαθορισμένες λειτουργίες πατώντας το κουμπί επιλογής προγράμματος.
- Επιλέξτε το κουμπί λειτουργίας για να ξεκινήσει η διαδικασία μαγειρέματος.
- Πατήστε το πλήκτρο λειτουργίας για 3 δευτερόλεπτα για να σταματήσετε ολόκληρη τη συσκευή κατά τη διάρκεια του μαγειρέματος. Η ένδειξη "OFF" θα εμφανιστεί στην οθόνη. Το κείμενο "OFF" στην οθόνη εξαφανίζεται, ο ανεμιστήρας σταματά να λειτουργεί 20 δευτερόλεπτα αργότερα και ολόκληρη η συσκευή απενεργοποιείται.

ΡΥΘΜΙΣΗ ΧΡΟΝΟΥ ΚΑΙ ΘΕΡΜΟΚΡΑΣΙΑΣ

- Εάν επιθυμείτε, μπορείτε επίσης να αλλάξετε τις ρυθμίσεις θερμοκρασίας και ώρας χρησιμοποιώντας τους επιλογείς ώρας και θερμοκρασίας.

ΠΡΟΚΑΘΟΡΙΣΜΕΝΑ ΠΡΟΓΡΑΜΜΑΤΑ

- Αυτή η συσκευή διαθέτει 8 προκαθορισμένα προγράμματα.
- Για να επιλέξετε ένα πρόγραμμα, πατήστε το κουμπί επιλογής προγράμματος.
- Επιλέγοντας το κουμπί λειτουργίας θα ξεκινήσει η διαδικασία μαγειρέματος.
- Εάν θέλετε, μπορείτε επίσης να αλλάξετε τις ρυθμίσεις θερμοκρασίας και χρόνου για τα προκαθορισμένα προγράμματα χρησιμοποιώντας τα αντίστοιχα εικονίδια.
- Τα κουμπιά επιλογής θερμοκρασίας σας επιτρέπουν να αυξάνετε ή να μειώνετε τη θερμοκρασία μαγειρέματος κατά 5 °C κάθε φορά. Αν κρατήσετε πατημένο το πλήκτρο, η θερμοκρασία θα αλλάξει γρήγορα. Εύρος ελέγχου θερμοκρασίας: 80 °C - 200 °C.
- Τα κουμπιά επιλογής χρόνου σας επιτρέπουν να αυξάνετε ή να μειώνετε το χρόνο μαγειρέματος, ένα λεπτό κάθε φορά. Κρατώντας πατημένο το πλήκτρο θα αλλάξει γρήγορα η ώρα.
- Η φριτέζα θα ηχήσει αρκετές φορές όταν τελειώσει ο χρόνος μαγειρέματος και θα απενεργοποιηθεί αυτόματα.
- Ελέγξτε για να δείτε ότι το φαγητό είναι μαγειρεμένο.

- Εάν δεν είναι, πρέπει μόνο να τοποθετήσετε το δοχείο πίσω στη φριτέζα και να προγραμματίσετε το χρονοδιακόπτη να μαγειρεύει για λίγα ακόμη λεπτά.
- ΠΡΟΣΟΧΗ: Η κασαρόλα και το φαγητό θα είναι πολύ ζεστά.
- Τοποθετήστε το τηγάνι πάνω σε μια απλή επιφάνεια που μπορεί να λειτουργήσει σε υψηλές θερμοκρασίες.
- Ορισμένα συστατικά απαιτούν ανατάραξη στη μέση του χρόνου προετοιμασίας. Για να ανακινήσετε τα υλικά, βγάλτε το τηγάνι από τη συσκευή από τη λαβή και ανακινήστε το. Στη συνέχεια, σύρετε το τηγάνι πίσω στη φριτέζα αέρα.

ΠΑΡΑΘΥΡΟ

- Αυτή η συσκευή διαθέτει ένα παράθυρο στο τηγάνι για να ελέγχετε την κατάσταση μαγειρέματος κατά τη διάρκεια του μαγειρέματος.

ΜΟΛΙΣ ΟΛΟΚΛΗΡΩΣΕΤΕ ΤΗ ΧΡΗΣΗ ΤΗΣ ΣΥΣΚΕΥΗΣ

- Αποσυνδέστε τη συσκευή από την πρίζα.
- Αφήστε το να κρυώσει.
- Καθαρίστε τη συσκευή όπως εξηγείται στην ενότητα «Καθάρισμα».

ΚΑΘΑΡΙΣΜΟΣ

- Αποσυνδέστε τη συσκευή από το δίκτυο και αφήστε την να κρυώσει πριν αναλάβετε οποιαδήποτε εργασία καθαρισμού.
- Καθαρίστε τον εξοπλισμό με ένα υγρό πανί με μερικές σταγόνες υγρού πλύσης και στη συνέχεια στεγνώστε τον.
- Μην χρησιμοποιείτε διαλύτες ή προϊόντα με όξινο ή βασικό pH, όπως χλωρίνη ή λειαντικά προϊόντα, για τον καθαρισμό της συσκευής.
- Ποτέ μην βυθίζετε τη συσκευή σε νερό ή οποιοδήποτε άλλο υγρό ή την τοποθετείτε κάτω από τρεχούμενο νερό.
- Συνιστάται να καθαρίζετε τακτικά τη συσκευή και να αφαιρείτε τυχόν τρόφιμα που παραμένουν.
- Εάν η συσκευή δεν είναι σε καλή κατάσταση καθαριότητας, η επιφάνειά της μπορεί να υποβαθμιστεί και να επηρεάσει αναπόφευκτα τη διάρκεια της ωφέλιμης ζωής της συσκευής και μπορεί να καταστεί μη ασφαλής στη χρήση.
- Κανένα από τα μέρη αυτής της συσκευής δεν είναι κατάλληλο για καθαρισμό στο πλυντήριο πιάτων. Μπορούν να πλυθούν με ζεστό σαπουνόνερο.

- Τηγάνι
- Αντικολλητικός δίσκος

ΛΕΙΤΟΥΡΓΙΑ

- Οποιαδήποτε μη ενδειγμένη χρήση ή χρήση αντίθετη προς τις οδηγίες χρήσης μπορεί να εκφυλιστεί σε κινδύνους, και ακυρώνει την εγγύηση και την ευθύνη του κατασκευαστή.

ΠΡΟΒΛΗΜΑΤΑ ΚΑΙ ΕΠΙΣΚΕΥΕΣ

- Σε περίπτωση βλάβης, μεταφέρετε τη συσκευή σε εγκεκριμένη υπηρεσία τεχνικής βοήθειας. Μην προσπαθήσετε να την αποσυναρμολογήσετε ή να την επισκευάσετε γιατί μπορεί να εκτεθείτε σε κίνδυνο.

ΕΓΓΥΗΣΗ ΚΑΙ ΤΕΧΝΙΚΗ ΒΟΗΘΕΙΑ

Το προϊόν αυτό τυγχάνει της αναγνώρισης και της προστασίας της νομικής εγγύησης σύμφωνα με την ισχύουσα νομοθεσία. Για να διεκδικήσετε τα δικαιώματά σας ή τα συμφέροντά σας, πρέπει να απευθυνθείτε σε οποιαδήποτε από τις επίσημες υπηρεσίες τεχνικής βοήθειας.

Μπορείτε να βρείτε το πλησιέστερο από αυτά, μπαίνοντας στον ακόλουθο δικτυακό τόπο: <https://www.blackanddecker.eu/>

Μπορείτε επίσης να ζητήσετε σχετικές πληροφορίες επικοινωνώντας μαζί μας.

Μπορείτε να κατεβάσετε αυτό το εγχειρίδιο οδηγιών και τις ενημερώσεις του στη διεύθυνση <https://www.blackanddecker.eu/>.

ΓΙΑ ΤΙΣ ΕΚΔΟΧΕΣ ΕΕ ΤΗΣ ΣΥΣΚΕΥΗΣ ΚΑΙ/Η ΕΦΟΣΟΝ ΙΣΧΥΟΥΝ ΤΑ ΠΑΡΑΚΑΤΩ ΣΤΗ ΧΩΡΑ ΣΑΣ ΟΙΚΟΛΟΓΙΑ ΚΑΙ ΑΝΑΚΥΚΛΩΣΙΜΟΤΗΤΑ ΤΟΥ ΠΡΟΪΟΝΤΟΣ

- Τα υλικά που απαρτίζουν τη συσκευασία αυτής της συσκευής, συμμετέχουν σε πρόγραμμα αποκομιδής, ταξινόμησης και ανακύκλωσης τους. Αν θέλετε να απαλλαγείτε από αυτά τα υλικά, μπορείτε να χρησιμοποιήσετε τους δημόσιους κάδους που ενδείκνυνται για κάθε είδος υλικού.
- Το προϊόν δεν περιέχει συγκεντρώσεις ουσιών που μπορούν να θεωρηθούν επιζήμιες για το περιβάλλον.



Αυτό το σύμβολο σημαίνει ότι εάν θέλετε να απαλλαγείτε από το προϊόν, όταν έχει ολοκληρωθεί ο κύκλος ζωής του, οφείλετε να το εναποθέσετε, με τα κατάλληλα μέσα, στα χέρια ενός διαχειριστή αποβλήτων, εγκεκριμένου για την επιλεκτική συλλογή αποβλήτων ειδών ηλεκτρικού και ηλεκτρονικού εξοπλισμού (ΑΗΗΕ).

- Το παρόν προϊόν συμμορφώνεται με την οδηγία 2014/35/EU χαμηλής τάσης, με την οδηγία 2014/30/EU για την ηλεκτρομαγνητική συμβατότητα, με την οδηγία

2011/65/EU για τον περιορισμό της χρήσης ορισμένων επικίνδυνων ουσιών σε ηλεκτρικό και ηλεκτρονικό εξοπλισμό και με την οδηγία 2009/125/EC για τις απαιτήσεις οικολογικού σχεδιασμού όσον αφορά τα συνδεδεμένα με την ενέργεια προϊόντα.

Τα Black & Decker® και BLACK+DECKER™ και τα λογότυπα Black & Decker® και BLACK+DECKER™ είναι σήματα κατατεθέντα της The Black & Decker® Corporation και χρησιμοποιούνται με άδεια χρήσης. Όλα τα δικαιώματα διατηρούνται. Εισάγεται και διανέμεται από την ENGINEERING AND TECHNOLOGY FOR LIFE, S.L. Avda. Barcelona s/n Oliana, 25790, Spain.

ΠΙΝΑΚΑΣ ΣΥΣΤΑΣΕΩΝ

- Εδώ μπορείτε να βρείτε τη σύστασή μας σχετικά με την ώρα και τη θερμοκρασία για το τηγάνισμα διαφορετικών γευμάτων.

Συστατικά	Min-max Ποσότητα (g)	Χρόνος (λεπτά)	Θερμοκρασία (°C)	Σείω	Πρόσθετες πληροφορίες
Παγωμένες τηγανητές πατάτες	400-800	17-25	200	Σείω	
Κνήμες	600-800	22-25	180	Σείω	
Pizza	600-800	25-30	180		
Ψάρια	500-800	16-18	180		Γυρίστε πίσω
Γαρίδες	400-800	12-15	180	Σείω	
Μπριζόλα	100-200	16-20	180		Γυρίστε πίσω
Μελιτζάνα	400-600	17-22	160		
Κέικ	120-250	17	160		

ΑΝΤΙΜΕΤΩΠΙΣΗ ΠΡΟΒΛΗΜΑΤΩΝ

Πρόβλημα	Πιθανή αιτία	Λύση
Η φριτέζα air δεν λειτουργεί.	Η συσκευή δεν είναι συνδεδεμένη στην πρίζα.	Τοποθετήστε το βύσμα του καλωδίου τροφοδοσίας σε γειωμένη πρίζα.
	Δεν έχετε ρυθμίσει το χρονόμετρο.	Ρυθμίστε το κλειδί του χρονοδιακόπτη στον απαιτούμενο χρόνο προετοιμασίας για να ενεργοποιήσετε τη συσκευή.
Τα τρόφιμα που τηγανίζονται με το AIR FRYER δεν γίνονται.	Η ποσότητα των υλικών στο καλάθι είναι πολύ μεγάλη.	Βάλτε μικρότερες παρτίδες υλικών στο καλάθι. Οι μικρότερες παρτίδες τηγανίζονται πιο ομοιόμορφα.
	Η ρυθμισμένη θερμοκρασία είναι πολύ χαμηλή.	Ρυθμίστε το πλήκτρο θερμοκρασίας στην επιθυμητή ρύθμιση θερμοκρασίας. Βλέπε "Χρόνος και θερμοκρασία" στην ενότητα "Οδηγίες χρήσης".
	Ο χρόνος προετοιμασίας είναι πολύ μικρός.	Ρυθμίστε το χρονόμετρο στον απαιτούμενο χρόνο προετοιμασίας. Βλέπε "Χρόνος και θερμοκρασία" στην ενότητα "Οδηγίες χρήσης".
Τα υλικά τηγανίζονται άνισα στη φριτέζα.	Ορισμένοι τύποι συστατικών πρέπει να ανακινηθούν στα μισά του χρόνου προετοιμασίας.	Τα υλικά που βρίσκονται το ένα πάνω ή απέναντι από το άλλο (π.χ. πατάτες) πρέπει να ανακινηθούν στα μισά του χρόνου προετοιμασίας. Βλέπε "Χρόνος και θερμοκρασία" στην ενότητα "Οδηγίες χρήσης".

Πρόβλημα	Πιθανή αιτία	Λύση
Τα τηγανητά σνακ δεν είναι τραγανά όταν βγαίνουν από το AIR FRYER.	Χρησιμοποιήσατε ένα είδος σνακ που προοριζόταν να παρασκευαστεί σε μια παραδοσιακή φριτέζα.	Χρησιμοποιήστε σνακ φούρνου ή αλείψτε ελαφρά λίγο λάδι στα σνακ για πιο τραγανό αποτέλεσμα.
Δεν μπορώ να σύρω σωστά το τηγάνι μέσα στη συσκευή.	Υπάρχουν πάρα πολλά υλικά στο τηγάνι.	Μην γεμίζετε το τηγάνι πέρα από την ένδειξη MAX.
	Ο αντικολητικός δίσκος δεν έχει τοποθετηθεί σωστά στο τηγάνι.	Σπρώξτε τον αντικολητικό δίσκο προς τα κάτω μέσα στο τηγάνι μέχρι να μην μπορεί να μετακινηθεί περαιτέρω.
Από τη συσκευή βγαίνει λευκός καπνός.	Ετοιμάζεις λιπαρά υλικά.	Όταν τηγανίζετε λιπαρά υλικά στη φριτέζα αέρα, θα διαρρεύσει μεγάλη ποσότητα λαδιού στην κατσαρόλα. Το λάδι παράγει λευκό καπνό και η κατσαρόλα μπορεί να ζεσταθεί περισσότερο από το συνηθισμένο. Αυτό δεν επηρεάζει τη συσκευή ή το αποτέλεσμα.
	Η γλάστρα περιέχει ακόμα υπολείμματα λίπους από προηγούμενη χρήση.	Ο λευκός καπνός προκαλείται από τη θέρμανση λίπους στο δοχείο. Βεβαιωθείτε ότι καθαρίζετε σωστά το τηγάνι μετά από κάθε χρήση.
Οι φρέσκες πατάτες τηγανίζονται άνισα στη φριτέζα αέρα.	Δεν χρησιμοποίησατε τον σωστό τύπο πατάτας.	Χρησιμοποιήστε φρέσκες πατάτες και φροντίστε να μείνουν σφιχτές κατά το τηγάνισμα.
	Δεν ξεπλύνετε σωστά τα ξυλάκια πατάτας πριν τα τηγανίσετε.	Ξεπλύνετε σωστά τα ξυλάκια πατάτας για να αφαιρέσετε το άμυλο από το εξωτερικό των μπιστουγιών.
Τα τηγανητά σνακ δεν είναι τραγανά όταν βγαίνουν από το AIR FRYER.	Η τραγανότητα των πατατών εξαρτάται από την ποσότητα λαδιού και νερού στις πατάτες.	Βεβαιωθείτε ότι έχετε στεγνώσει σωστά τα ξυλάκια πατάτας πριν προσθέσετε το λάδι.
		Κόψτε τα ξυλάκια πατάτας μικρότερα για πιο τραγανό αποτέλεσμα.
		Προσθέστε λίγο περισσότερο λάδι για πιο τραγανό αποτέλεσμα.

ВОЗДУШНАЯ ФРИТЮРНИЦА ВХАФ6500Е

Уважаемый клиент!

Большое спасибо, что решили приобрести товар бренда Black+Decker.

Он выполнен с применением передовых технологий, имеет элегантный дизайн, надежную конструкцию и превышает наиболее требовательные стандарты качества, что обеспечит полное соответствие вашим требованиям и продолжительный срок службы.

СОВЕТЫ ПО БЕЗОПАСНОСТИ И ПРЕДУПРЕЖДЕНИЯ

- Внимательно прочтите эту инструкцию перед включением электроприбора и сохраните ее для использования в будущем. Ненадлежащее соблюдение этой инструкции может быть причиной несчастного случая.
- Очистите все части продукта, которые будут контактировать с пищевыми продуктами, как указано в разделе очистки, перед использованием.
- Данное устройство может использоваться детьми старше 8 лет, лицами с ограниченными физическими, сенсорными или умственными возможностями, а также лицами, не обладающими соответствующим опытом или знаниями, только под присмотром или после проведения инструктажа по безопасному использованию устройства и с пониманием связанных с этим рисков. Дети не должны играть с прибором. Дети не должны выполнять чистку

или ухаживать за прибором без присмотра старших.

- Этот прибор не предназначен для управления с помощью внешнего таймера или отдельной системы дистанционного управления.
- Если шнур питания поврежден, он должен быть заменен изготовителем, его сервисным агентом или лицами аналогичной квалификации, чтобы избежать опасности.
- Данный прибор предназначен для использования в бытовых и аналогичных условиях, таких как:
 - кухонные помещения для персонала в магазинах, офисах и других рабочих помещениях;
 - фермерские дома;
 - клиентами в гостиницах, отелях и других жилых помещениях;
 - помещения типа "постель и завтрак".



ОСТОРОЖНО, Горячие поверхности.

- Прежде чем включить электроприбор, убедитесь, что напряжение на его табличке соответствует напряжению в сети;
- Подключите прибор к сетевой розетке номинальной мощностью не менее 10 ампер.
- Сетевая вилка должна подходить к розетке. Не допускается вносить изменения в вилку сетевого шнура. Не допускается использовать переходники для розетки.
- Не используйте прибор, если шнур питания или вилка повреждены.
- Не дергайте за шнур питания. Не допускается использовать шнур питания, чтобы поднимать или переносить электроприбор, вынимать вилку из розетки, потянув за шнур.
- Не накручивайте сетевой шнур на прибор.

- Проверьте состояние шнура питания. Если он поврежден, это увеличит риск поражения электрическим током.
- Не позволяйте соединительному кабелю свободно висеть или соприкасаться с горячими поверхностями прибора.
- При любом повреждении корпуса электроприбора немедленно отключите его от сети, чтобы не допустить поражения электрическим током.
- Не прикасайтесь к вилке влажными руками.
- Только для использования в помещении.
- Не допускается использовать или хранить электроприбор на открытом воздухе.
- Не оставляйте прибор под дождем или во влажном месте. Если в прибор попадет вода, это может стать причиной поражения электрическим током.
- Во время работы прибора температура доступных поверхностей может быть высокой.
- Не прикасайтесь к нагретым частям, так как это может привести к серьезным ожогам.

ИСПОЛЬЗОВАНИЕ И УХОД

- Полностью расширьте кабель питания прибора перед каждым использованием.
- Не используйте прибор, если детали или принадлежности не установлены должным образом.
- Не используйте прибор, если аксессуары, прикрепленные к нему, неисправны. Замените их немедленно.
- Не используйте прибор, когда он пуст.
- Не используйте устройство, если переключатель таймера не работает должным образом.
- Не перемещайте прибор во время использования.
- Чтобы сохранить антипригарную обработку в хорошем состоянии, не используйте на ней металлическую или заостренную посуду.
- Не переполняйте прибор.
- Отключите прибор от электросети, когда он не используется, и перед выполнением каких-либо задач по очистке.
- Храните это устройство в недоступном для детей / или лиц с физическим, сенсорным или пониженным умственным состоянием или отсутствием опыта и знаний.
- Не храните и не транспортируйте прибор, если он еще горячий.
- Никогда не оставляйте устройство подключенным и без присмотра, если оно не используется. Это экономит энергию и продлевает срок службы прибора.

- Используйте только посуду, подходящую для поддержания высоких температур.
- В качестве справки, в прилагаемой таблице вы найдете рекомендацию по температуре приготовления и времени для нескольких приемов пищи.

ОПИСАНИЕ

A	Цифровая панель управления
B	Основной корпус
C	Ручка
D	Отверстие для выпуска воздуха
E	Антипригарный лоток
F	Горшок для жарки
G	Шнур питания
H	Окно

ПАНЕЛЬ УПРАВЛЕНИЯ

1	LCD
2	Кнопки выбора температуры
3	Селектор программ
4	Кнопки селектора времени
5	Кнопка питания
6	Индикатор вентилятора
7	Индикаторы температуры/времени
8	Индикаторы программы
9	Индикатор работы

Если модель вашего прибора не имеет аксессуаров, описанных выше, их также можно приобрести отдельно в Службе технической поддержки.

ИНСТРУКЦИЯ ПО ПРИМЕНЕНИЮ

ПЕРЕД ИСПОЛЬЗОВАНИЕМ

- Убедитесь, что упаковка изделия полностью удалена.
- Перед первым использованием изделия очистите части, которые будут соприкасаться с пищевыми продуктами, как описано в разделе «Очистка».

ИСПОЛЬЗОВАНИЕ

- Полностью разверните кабель, прежде чем подключить его.
- Подключите прибор к электросети.
- Осторожно выньте кастрюлю для жарки из фритюрницы.

- Примечание: манипулируйте сковородой с помощью ручки сковороды. Не прикасайтесь к горшку, когда он горячий.
- Положите ингредиенты, которые вы хотите обжарить, в кастрюлю для жарки.
- Вставьте кастрюлю для жарки внутрь фритюрницы и нажмите кнопку включения.
- Как только кастрюля будет правильно размещена в основном корпусе, загорится индикатор питания.
- Настройте температуру и время с помощью кнопок селектора температуры и селектора времени. По умолчанию температура и время составляют 200°C и 15 минут. В противном случае выберите один из 8 предустановленных режимов, нажав кнопку селектора программ.
- Выберите кнопку питания, чтобы начать процесс приготовления.
- Нажмите кнопку питания на 3 секунды, чтобы остановить весь прибор во время приготовления. На экране появится надпись "OFF". Текст "OFF" на дисплее исчезает, вентилятор перестает работать через 20 секунд, и все устройство выключается.

НАСТРОЙКА ВРЕМЕНИ И ТЕМПЕРАТУРЫ

- При желании вы также можете изменить настройки температуры и времени с помощью селекторов времени и температуры.

ПРЕДУСТАНОВЛЕННЫЕ ПРОГРАММЫ

- Это устройство имеет 8 предустановленных программ.
- Чтобы выбрать программу, нажмите кнопку селектора программ.
- При нажатии кнопки питания начнется процесс приготовления.
- При желании вы также можете изменить настройки температуры и времени для предустановленных программ, используя соответствующие значки.
- Кнопки выбора температуры позволяют увеличивать или уменьшать температуру приготовления на 5 °C за один раз. Если удерживать клавишу нажатой, температура быстро изменится. Кнопка контроля температуры 80 °C - 200 °C.
- Кнопки выбора времени позволяют увеличить или уменьшить время приготовления, по одной минуте за раз. Удерживая клавишу нажатой, можно быстро изменить время.
- По окончании времени приготовления фритюрница подаст несколько звуковых сигналов и автоматически выключится.
- Проверьте, приготовлена ли еда.

- Если это не так, вам нужно только положить контейнер обратно во фритюрницу и запрограммировать таймер на приготовление еще несколько минут.
- **ОСТОРОЖНОСТЬ:** Горшок и еда будут очень ГОРЯЧИМИ.
- Установите сковороду на ровную поверхность, способную работать с высокими температурами.
- Некоторые ингредиенты необходимо встряхивать на полпути приготовления. Чтобы встряхнуть ингредиенты, вытащите кастрюлю для жарки из прибора за ручку и встряхните ее. Затем вставьте кастрюлю для жарки обратно во фритюрницу.

ОКНО

- В данном приборе имеется окошко в жарочном шкафу для проверки состояния приготовления во время готовки.

ПОСЛЕ ТОГО, КАК ВЫ ЗАКОНЧИЛИ ИСПОЛЬЗОВАТЬ УСТРОЙСТВО

- Отключите прибор от сети.
- Дайте ему остыть.
- Очистите прибор, как описано в разделе «Очистка» .

ОЧИСТКА

- Отсоедините прибор от сети и дайте ему остыть, прежде чем выполнять какие-либо задачи по очистке.
- Очистите оборудование влажной тряпкой с несколькими каплями моющей жидкости, а затем высушите его.
- Не используйте растворители или продукты с кислотным или щелочным pH, такие как отбеливатель или абразивные продукты, для очистки прибора.
- Никогда не погружайте прибор в воду или любую другую жидкость и не помещайте его под проточную воду.
- Желательно регулярно чистить прибор и удалять любую оставшуюся пищу.
- Если прибор не находится в хорошем состоянии чистоты, его поверхность может ухудшиться и неумолимо влиять на продолжительность срока службы прибора и может стать небезопасной в использовании.
- Ни одна из частей этого прибора не подходит для мытья в посудомоечной машине. Их можно мыть в горячей мыльной воде.
 - Горшок для жарки
 - Антипригарный лоток

ОБСЛУЖИВАНИЕ

- Любое неправильное использование или несоблюдение инструкций автоматически приводит к аннулированию гарантии и снятию ответственности производителя.

НЕИСПРАВНОСТИ И РЕМОНТ

- В случае неисправности отнесите электроприбор в сервисный центр. Не пытайтесь разбирать или ремонтировать без посторонней помощи, так как это может быть опасно.

ГАРАНТИЯ И ТЕХНИЧЕСКАЯ ПОМОЩЬ

Данный продукт пользуется признанием и защитой правовой гарантии в соответствии с действующим законодательством. Для защиты своих прав или интересов необходимо обратиться в любую из наших служб официальной технической помощи.

Вы можете найти ближайший из них, перейдя по следующей ссылке: <https://www.blackanddecker.eu/>.

Вы также можете запросить соответствующую информацию, связавшись с нами.

Данное руководство по эксплуатации и его обновления можно загрузить по адресу <https://www.blackanddecker.eu/>.

ДЛЯ ИЗДЕЛИЙ В ВЕРСИИ ЕС И/ИЛИ, ЕСЛИ ЭТОГО ТРЕБУЕТ ЗАКОНОДАТЕЛЬСТВО В ВАШЕЙ СТРАНЕ: ЭКОЛОГИЯ И ВТОРИЧНОЕ ИСПОЛЬЗОВАНИЕ

- Материалы упаковки прибора принимаются системой сбора и сортировки материалов для вторичного их использования. Для утилизации используйте бытовые контейнеры для каждого типа мусора.
- В изделии нет веществ в концентрациях, которые считаются вредными для окружающей среды.



Этот значок означает, что после окончания срока службы для утилизации электроприбора отнесите его в пункт сбора электрических и электронных отходов (WEEE).

- Этот прибор выполнен в соответствии с Директивой по низковольтному оборудованию 2014/35/EU, Директивой по электромагнитной совместимости 2014/30/EU, Директивой 2011/65/EU, ограничивающей использование некоторых опасных веществ в электрическом и электронном оборудовании, а также Директивой 2009/125/EC по экологическим требованиям к изделиям, потребляющим энергию.

Black & Decker® и BLACK+DECKER™, а также логотипы Black & Decker® и BLACK+DECKER™ являются зарегистрированными торговыми марками The Black & Decker® Corporation и используются по лицензии. Все права защищены. Импортируется и распространяется компанией ENGINEERING AND TECHNOLOGY FOR LIFE, S.L. Avda. Barcelona s/n Olliana, 25790, Spain

ТАБЛИЦА РЕКОМЕНДАЦИЙ

- Здесь вы можете найти наши рекомендации по времени и температуре для жарки различных блюд.

Ингредиенты	Min-max Количество (г)	Время (мин)	Температура (°C)	Трясти	Дополнительная информация
Замороженный картофель фри	400-800	17-25	200	Трясти	
Голени	600-800	22-25	180	Трясти	
Пицца	600-800	25-30	180		
Рыба	500-800	16-18	180		Повернитесь
Креветка	400-800	12-15	180	Трясти	
Бифштекс	100-200	16-20	180		Повернитесь
Баклажаны	400-600	17-22	160		
Торт	120-250	17	160		

УСТРАНЕНИЕ НЕПОЛАДК

Проблема	Возможная причина	Решение
ФРИТЮРНИЦА AIR не работает.	Прибор не подключен к сети.	Вставьте вилку шнура питания в заземленную розетку.
	Вы не установили таймер.	Установите кнопку таймера на необходимое время подготовки к включению прибора.
Ингредиенты, обжаренные во фритюрнице, не готовы.	Количество ингредиентов в корзине слишком велико.	Кладите в корзину небольшие порции ингредиентов. Меньшие партии обжариваются более равномерно.
	Установленная температура слишком низкая.	Установите кнопку температуры на требуемую настройку температуры. См. раздел "Время и температура" в главе "Инструкции по эксплуатации".
	Время подготовки слишком короткое.	Установите таймер на необходимое время приготовления. См. раздел "Время и температура" в главе "Инструкции по эксплуатации".
Ингредиенты неравномерно обжариваются во фритюрнице.	Некоторые типы ингредиентов необходимо встряхивать в середине приготовления.	Ингредиенты, лежащие друг на друге или поверх друг друга (например, картофель фри), необходимо встряхнуть в середине приготовления. См. раздел "Время и температура" в главе "Инструкции по эксплуатации".

Жареные закуски не хрустят, когда они выходят из AIR FRYER.	Вы использовали закуску, предназначенную для приготовления в традиционной фритюрнице.	Используйте закуски для духовки или слегка смажьте их маслом, чтобы они стали более хрустящими.
Я не могу правильно вставить кастрюлю в прибор.	В сковороду слишком много ингредиентов.	Не наполняйте сковороду выше отметки MAX.
	Антипригарный противень неправильно установлен в кастрюлю для жарки.	Вставьте противень с антипригарным покрытием в кастрюлю для жарки, пока он не сможет двигаться дальше.
Белый дым выходит из прибора.	Вы готовите жирные ингредиенты.	Когда вы жарите жирные ингредиенты во фритюрнице, большое количество масла вытекает в кастрюлю. Масло производит белый дым, и кастрюля может нагреваться сильнее, чем обычно. Это не влияет на прибор или результат.
	Горшок по-прежнему содержит остатки жира от предыдущего использования.	Белый дым вызывается жиром, нагревающимся в горшке. Убедитесь, что вы правильно очищаете кастрюлю после каждого использования.
Свежий картофель фри неравномерно обжаривается во фритюрнице.	Вы использовали не тот сорт картофеля.	Используйте свежий картофель и убедитесь, что он остается твердым во время жарки.
	Вы плохо промыли картофельные палочки перед жаркой.	Хорошо промойте картофельные палочки, чтобы удалить крахмал с внешней стороны палочек.
Жареные закуски не хрустят, когда они выходят из AIR FRYER.	Хрусткость картофеля фри зависит от количества масла и воды в картофеле фри.	Убедитесь, что вы хорошо высушили картофельные палочки, прежде чем добавлять масло.
		Нарежьте картофельные палочки мельче, чтобы они были более хрустящими.
		Добавьте немного больше масла для более хрустящего результата.

FRIGIDER DE AER BXAF6500E

Stimate client,

Mulțumim pentru că ați ales să achiziționați un produs marca Black+Decker.

Datorită tehnologiei sale, designului și modului de funcționare, precum și faptului că depășește cele mai stricte standarde de calitate, se poate garanta o utilizare pe deplin satisfăcătoare și de lungă durată a produsului.

SFATURI DE SIGURANȚĂ ȘI AVERTISMENTE

- Înainte de a porni aparatul, citiți cu atenție aceste instrucțiuni și păstrați-le pentru a le putea consulta în viitor. Nerespectarea acestor instrucțiuni poate provoca un accident.
- Curățați toate părțile produsului care vor intra în contact cu alimentele, așa cum este indicat în secțiunea de curățare, înainte de utilizare.
- Acest aparat poate fi utilizat de către copiii cu vârsta de peste 8 ani, precum și de către persoanele ce au o capacitate fizică, senzorială sau mentală redusă sau fără experiență și cunoștințe, doar dacă aceștia sunt sub supraveghere sau au fost instruiți în legătură cu utilizarea aparatului în condiții de siguranță și înțeleg eventualele pericole. Copiii nu se vor juca cu aparatul. Curățarea și întreținerea nu trebuie efectuate de către copii fără supraveghere.
- Acest aparat nu este destinat să fie operat cu ajutorul unui temporizator extern sau al unui sistem de telecomandă separat.

- În cazul în care cablul de alimentare este deteriorat, acesta trebuie înlocuit de către producător, de către agentul său de service sau de către persoane cu calificare similară pentru a evita un pericol.

- Acest aparat este destinat utilizării în gospodării și în aplicații similare, cum ar fi:

- zone de bucătărie pentru personal în magazine, birouri și alte medii de lucru;
- ferme;
- de către clienți în hoteluri, moteluri și alte medii de tip rezidențial;
- medii de tip "bed and breakfast".



ATENȚIE, suprafețe fierbinți.

- Asigurați-vă că tensiunea indicată pe plăcuța de identificare a aparatului corespunde tensiunii de la priză, înainte de a brânșa aparatul.
- Conectați aparatul la o priză de cel puțin 10 amperi.
- Ștecărul aparatului trebuie să intre corect în priză. Nu modificați ștecărul. Nu utilizați adaptoare pentru ștecăre.
- Nu utilizați aparatul dacă cablul de alimentare sau ștecherul este deteriorat.
- Nu trageți de cablul de alimentare. Nu utilizați niciodată cablul de alimentare pentru a ridica, transporta sau deconecta aparatul.
- Nu înfășurați cablul electric în jurul aparatului.
- Verificați starea cablului de alimentare. Dacă este deteriorat, va crește riscul de șoc electric.
- Nu lăsați cablul de conectare să atârne liber sau să intre în contact cu suprafețele fierbinți ale aparatului.
- Dacă carcasa aparatului se rupe, deconectați imediat aparatul de la rețea pentru a preveni posibilitatea unui șoc electric.
- Nu atingeți ștecherul cu mâinile ude.
- Numai pentru uz interior.
- Nu utilizați și nici nu depozitați aparatul în exterior.
- Nu lăsați aparatul în ploaie sau expus la umezeală. În cazul în care se infiltră apă în interiorul aparatului, riscul de electrocutare va crește.

- Temperatura suprafețelor accesibile poate fi ridicată atunci când aparatul este în funcțiune.
- Nu atingeți nicio parte încălzită, deoarece acest lucru poate provoca arsuri grave.

UTILIZARE ȘI ÎNGRIJIRE

- Întindeți complet cablul de alimentare al aparatului înainte de fiecare utilizare.
- Nu utilizați aparatul dacă piesele sau accesoriile nu sunt montate corespunzător.
- Nu utilizați aparatul dacă accesoriile atașate la acesta sunt defecte. Înlocuiți-le imediat.
- Nu utilizați aparatul când este gol.
- Nu utilizați aparatul dacă întrerupătorul temporizator nu funcționează corect.
- Nu mutați aparatul în timpul utilizării.
- Pentru a păstra tratamentul antiaderent în stare bună, nu folosiți ustensile metalice sau ascuțite pe el.
- Nu umpleți prea mult aparatul.
- Deconectați aparatul de la rețeaua electrică atunci când nu este utilizat și înainte de a întreprinde orice operațiune de curățare.
- Depozitați acest aparat în afara razei de acțiune a copiilor și/sau a persoanelor cu deficiențe fizice, senzoriale sau mentale reduse sau lipsite de experiență și cunoștințe.
- Nu depozitați sau transportați aparatul dacă este încă fierbinte.
- Nu lăsați niciodată aparatul conectat și nesupravegheat dacă nu este utilizat. Acest lucru economisește energie și prelungește durata de viață a aparatului.
- Utilizați numai ustensile adecvate pentru a suporta temperaturi ridicate.
- Ca referință, în tabelul anexat veți găsi o recomandare privind temperatura și timpul de gătire pentru mai multe mese.

DESCRIERE

A	Panou de control digital
B	Carcasa principală
C	Mâner
D	Ieșire de aer
E	Tavă antiaderentă
F	Oală de prăjire
G	Cablu de alimentare
H	Fereastra

PANOU DE CONTROL

1	LCD
2	Butoane de selectare a temperaturii
3	Selector de programe
4	Butoane de selectare a timpului
5	Butonul de alimentare
6	Indicator ventilator
7	Indicatori de temperatură/timp
8	Indicatori de program
9	Indicator de lucru

În cazul în care modelul aparatului dumneavoastră nu dispune de accesoriile descrise mai sus, acestea pot fi achiziționate separat de la Serviciul de Asistență Tehnică.

INSTRUCȚIUNI DE UTILIZARE

ÎNAINTE DE UTILIZARE

- Asigurați-vă că întregul ambalaj al produsului a fost îndepărtat.
- Înainte de a utiliza produsul pentru prima dată, curățați părțile care vor intra în contact cu alimentele în modul descris în secțiunea "Curățare".

UTILIZAȚI

- Desfășurați complet cablul înainte de a-l conecta.
- Conectați aparatul la rețeaua electrică.
- Scoateți cu grijă vasul de prăjit din friteuză.
- Notă: manipulați vasul de prăjit folosind mânerul vasului de prăjit. Nu atingeți vasul de prăjit când este fierbinte.
- Puneți ingredientele pe care doriți să le prăjiți în interiorul vasului de prăjit.
- Introduceți vasul de prăjit în interiorul friteuzei și apăsați butonul de pornire.
- Odată ce vasul este plasat în mod corespunzător în carcasa principală, lumina de alimentare se va aprinde.
- Reglați temperatura și ora cu ajutorul butoanelor de selectare a temperaturii și de selectare a orei. Temperatura și timpul implicite sunt de 200°C și 15 minute. În caz contrar, selectați unul dintre cele 8 moduri presetate apăsând butonul de selectare a programului.
- Selectați butonul de pornire pentru a începe procesul de gătire.
- Apăsați tasta de pornire timp de 3 secunde pentru a opri întregul aparat în timpul gătitului. "OFF" va apărea pe ecran. Textul "OFF" de pe afișaj dispare, ventilatorul încetează să mai funcționeze după 20 de secunde și întregul aparat se oprește.

TIMP ȘI TEMPERATURĂ

- Dacă doriți, puteți, de asemenea, să modificați setările de temperatură și de timp cu ajutorul selectorilor de timp și temperatură.

PROGRAME PRESTABILITE

- Acest aparat are 8 programe prestabilite.
- Pentru a selecta un program, apăsați butonul de selectare a programului.
- Selectarea butonului de pornire va începe procesul de gătire.
- Dacă doriți, puteți, de asemenea, să modificați setările de temperatură și de timp pentru programele presetate folosind pictogramele corespunzătoare.
- Butoanele de selectare a temperaturii vă permit să măriți sau să micșorați temperatura de gătire cu 5 °C pe rând. Menținerea apăsată a tastei va modifica rapid temperatura. Butonul de control al temperaturii 80 °C - 200 °C.
- Butoanele de selectare a timpului vă permit să măriți sau să micșorați timpul de gătire, câte un minut la un moment dat. Dacă țineți tasta apăsată, ora se modifică rapid.
- Prăjitorul va emite câteva semnale sonore de mai multe ori când timpul de gătire s-a terminat și se va opri automat.
- Verificați dacă mâncarea este gătită.
- În caz contrar, trebuie doar să puneți recipientul înapoi în friteuză și să programați cronometrul pentru a mai găti câteva minute.
- ATENȚIE: Oala și mâncarea vor fi foarte HOT.
- Așezați vasul de prăjit pe o suprafață plană care să poată lucra la temperaturi ridicate.
- Unele ingrediente necesită agitare la jumătatea timpului de preparare. Pentru a scutura ingredientele, scoateți vasul de prăjit din aparat de mâner și scuturați-l. Apoi glesați vasul de prăjit înapoi în friteuza cu aer.

FEREAȘTRA

- Acest aparat are o fereastră în vasul de prăjire pentru a verifica starea de gătire în timpul gătitului.

DUPĂ CE AȚI TERMINAT DE UTILIZAT APARATUL

- Deconectați aparatul de la rețeaua electrică.
- Se lasă să se răcească.
- Curățați aparatul așa cum este explicat în secțiunea "Curățare".

CURĂȚARE

- Deconectați aparatul de la rețea și lăsați-l să se răcească înainte de a întreprinde orice operațiune de curățare.

- Curățați echipamentul cu o cârpă umedă cu câteva picături de detergent și apoi uscați-l.
- Nu utilizați solvenți sau produse cu un pH acid sau bazic, cum ar fi înălbitorul, sau produse abrazive pentru curățarea aparatului.
- Nu scufundați niciodată aparatul în apă sau în orice alt lichid și nu-l puneți niciodată sub apă curentă.
- Este recomandabil să curățați aparatul în mod regulat și să îndepărtați orice resturi de alimente.
- Dacă aparatul nu este în stare bună de curățenie, suprafața acestuia se poate degrada și poate afecta inexorabil durata de viață utilă a aparatului și ar putea deveni nesigur pentru utilizare.
- Niciuna dintre piesele acestui aparat nu poate fi curățată în mașina de spălat vase. Acestea pot fi spălate în apă caldă cu săpun.
 - Oală de prăjire
 - Tavă antiaderentă

DEPANARE

- Orice utilizare necorespunzătoare sau nerespectarea instrucțiunilor determină garanția și responsabilitățile producătorului să devină nule și neavenite.

ANOMALII ȘI REPARAȚII

- Dacă apar probleme, duceți aparatul la un serviciu de asistență tehnică autorizat. Nu încercați să-l demontați sau să-l reparați fără ajutor, deoarece poate fi periculos.

GARANȚIE ȘI ASISTENȚĂ TEHNICĂ

Acest produs se bucură de recunoașterea și protecția garanției legale în conformitate cu legislația în vigoare. Pentru a vă pune în aplicare drepturile sau interesele, trebuie să mergeți la oricare dintre serviciile noastre oficiale de asistență tehnică.

Puteți găsi cel mai apropiat accesând următorul link web: <https://www.blackanddecker.eu/>

De asemenea, puteți solicita informații aferente contactându-ne.

Puteți descărca acest manual de instrucțiuni și actualizările acestuia la <https://www.blackanddecker.eu/>

PENTRU VERSIUNILE UE ALE PRODUSELOR ȘI/SAU ÎN CAZUL ÎN CARE ESTE OBLIGATORIU ÎN ȚARA DVS ECOLOGIE ȘI RECICLAREA PRODUSULUI

- Materialele din care este alcătuit ambalajul acestui produs sunt incluse într-un sistem de colectare, clasificare și reciclare. Dacă doriți să le aruncați, vă rugăm să folosiți pubelele publice corespunzătoare fiecărui tip de material.

- Produsul nu conține substanțe în concentrații care ar putea fi considerate ca dăunătoare pentru mediu.



Acest simbol înseamnă că, în cazul în care doriți să aruncați aparatul la încheierea duratei sale de funcționare, trebuie să-l duceți la un centru de colectare a deșeurilor autorizat, în vederea colectării selective a deșeurilor de echipamente electrice și electronice (WEEE).

- Acest aparat respectă Directiva 2014/35/EU cu privire la echipamentele electrice destinate utilizării în cadrul unor anumite limite de tensiune, Directiva 2014/30/EU cu privire la compatibilitatea electromagnetică, Directiva 2011/65/EU privind restricțiile de utilizare a anumitor substanțe periculoase în echipamentele electrice și electronice, precum și Directiva 2009/125/EC de instituire a unui cadru pentru stabilirea cerințelor în materie de proiectare ecologică aplicabile produselor cu impact energetic.

Black & Decker® și BLACK+DECKER™ și siglele Black & Decker® și BLACK+DECKER™ sunt mărci comerciale înregistrate ale The Black & Decker® Corporation și sunt utilizate sub licență. Toate drepturile rezervate. Importat și distribuit de ENGINEERING AND TECHNOLOGY FOR LIFE, SL Avda. Barcelona s/n Oliana, 25790, Spain.

TABELUL DE RECOMANDĂRI

- Aici puteți găsi recomandările noastre privind timpul și temperatura de prăjire a diferitelor mâncăruri.

Ingrediente	Min-max Cantitate (g)	Timp (min)	Temperatura (°C)	Shake	Informații suplimentare
Cartofi prăjiți congelați	400-800	17-25	200	Shake	
Bețișoare de tobă	600-800	22-25	180	Shake	
Pizza	600-800	25-30	180		
Pește	500-800	16-18	180		Întoarce-te.
Creveți	400-800	12-15	180	Shake	
Friptură	100-200	16-20	180		Întoarce-te.
Vinete	400-600	17-22	160		
Tort	120-250	17	160		

DEPANARE

Problema	Cauza posibilă	Soluție
RĂcitorul de aer nu funcționează.	Aparatul nu este conectat la priză.	Introduceți fișa cablului de alimentare într-o priză de perete cu împământare.
	Nu ați setat cronometrul.	Setați tasta de temporizare la timpul de pregătire necesar pentru a porni aparatul.
Ingredientele prăjite cu aparatul de prăjit cu aer nu sunt gata.	Cantitatea de ingrediente din coș este prea mare.	Puneți loturi mai mici de ingrediente în coș. Loturile mai mici sunt prăjite mai uniform.
	Temperatura setată este prea scăzută.	Reglați tasta de temperatură la setarea de temperatură dorită. Consultați "Timp și temperatură" în secțiunea "Instrucțiuni de utilizare".
	Timpul de pregătire este prea scurt.	Setați cronometrul la timpul de preparare necesar. Consultați "Timp și temperatură" în secțiunea "Instrucțiuni de utilizare".
Ingredientele sunt prăjite neuniform în friteuza cu aer.	Anumite tipuri de ingrediente trebuie să fie agitate la jumătatea timpului de preparare.	Ingredientele care se află unele peste altele sau unele peste altele (de exemplu, cartofii prăjiți) trebuie să fie agitate la jumătatea timpului de preparare. Consultați "Timp și temperatură" în secțiunea "Instrucțiuni de utilizare".
Gustările prăjite nu sunt crocante atunci când ies din AIR FRYER.	Ați folosit un tip de gustare menit să fie preparat într-o friteuză tradițională.	Folosiți gustări la cuptor sau ungeți ușor cu puțin ulei pe gustări pentru un rezultat mai crocant.
Nu pot glisa tigaia în aparat în mod corespunzător.	Sunt prea multe ingrediente în vasul de prăjit.	Nu umpleți vasul de prăjit peste indicația MAX.
	Tava antiaderentă nu este așezată corect în vasul de prăjire.	Împingeți tava antiaderentă în jos în vasul de prăjit până când nu se mai poate mișca.
Din aparat iese fum alb.	Pregătiți ingrediente grase.	Atunci când prăjiți ingrediente grase în friteuza cu aer comprimat, o cantitate mare de ulei se va scurge în vas. Uleiul produce fum alb, iar oala se poate încălzi mai mult decât de obicei. Acest lucru nu afectează aparatul sau rezultatul.
	Oala conține încă reziduuri de grăsimi de la utilizarea anterioară.	Fumul alb este cauzat de încălzirea grăsimii în oală. Asigurați-vă că curățați bine tigaia după fiecare utilizare.
Cartofii proaspeți sunt prăjiți neuniform în friteuza cu aer.	Nu ați folosit tipul de cartof potrivit.	Folosiți cartofii proaspeți și asigurați-vă că aceștia rămân fermi în timpul prăjirii.
	Nu ați clătit bine bețigoarele de cartofi înainte de a le prăji.	Clătiți bine bețigoarele de cartofi pentru a îndepărta amidonul de pe partea exterioară a acestora.
Gustările prăjite nu sunt crocante atunci când ies din AIR FRYER.	Crocabilitatea cartofilor prăjiți depinde de cantitatea de ulei și apă din cartofi.	Asigurați-vă că ați uscat bine bețigoarele de cartofi înainte de a adăuga uleiul.
		Tăiați bastonașele de cartofi mai mici pentru un rezultat mai crocant.
		Adăugați puțin mai mult ulei pentru un rezultat mai crocant.

ВЪЗДУШЕН ФРИТЮРНИК VXAF6500E

Уважаеми клиенти,

Много благодарим, че избрахте да закупите продукт на марката Black+Decker.

Технологията, дизайнът и функционалността на същия, както и фактът, че той надвишава най-стриктните норми за качество ще Ви донесат пълно и дълготрайно задоволство от него.

СЪВЕТИ И ПРЕДУПРЕЖДЕНИЯ ЗА БЕЗОПАСНОСТ

- Прочетете внимателно тази брошура, преди да пуснете уреда в действие. Запазете я за по-нататъшни справки. Несъобразяването с настоящите указания може да стане причина за произшествие.
- Почистете всички части на продукта, които ще бъдат в контакт с храна, както е посочено в раздела за почистване, преди употреба.
- Уредът може да бъде използван от хора, неумеещи да боравят с този вид продукти, хора с физически увреждания или деца над 8 години, но само и единствено ако се намират под надзора на някой възрастен, или ако предварително им е обяснено как безопасно да използват уреда, а също и ако разбират наличните рискове. Децата не трябва да играят с уреда. Уредът може да бъде почистван или поддръжката му да бъде извършвана от деца, единствено

ако се намират под надзора възрастен човек.

- Този уред не е предназначен да се управлява с помощта на външен таймер или отделна система за дистанционно управление.
- Ако захранващият кабел е повреден, той трябва да бъде заменен от производителя, неговия сервизен представител или от лица с подобна квалификация, за да се избегне опасност.
- Този уред е предназначен за използване в домакинството и подобни приложения, като например:
 - кухненски помещения за персонала в магазини, офиси и други работни помещения;
 - ферми;
 - от клиенти в хотели, мотели и други жилищни помещения;
 - места за настаняване и закуска.



ВНИМАНИЕ, горещи
повърхности.

- Преди включване на уреда към мрежата, уверете се, че посоченият на табелката волтаж с характеристиките съвпада с волтажа на мрежата.
- Свържете уреда към електрически контакт с мощност най-малко 10 ампера.
- Щепселът на уреда следва да съвпада по вид с електрическия контакт. В никакъв случай не променяйте вида на щепсела. Не използвайте адаптори за щепсела.
- Не използвайте уреда, ако захранващият кабел или щепселът са повредени.
- Не дърпайте захранващия кабел. В никакъв случай не използвайте електрическия кабел за повдигане, пренасяне или изключване на апарата.
- Не навивайте електрическия кабел около уреда.

- Проверете състоянието на захранващия кабел. Ако тя е повредена, това ще увеличи риска от токов удар.
- Не позволявайте на свързващия кабел да виси свободно или да влиза в контакт с горещите повърхности на уреда.
- Ако корпусът на уреда се счупи, незабавно изключете уреда от електрическата мрежа, за да предотвратите възможността от токов удар.
- Не докосвайте щелсела за включване в мрежата с мокри ръце.
- Само за употреба на закрито.
- Не използвайте и не съхранявайте уреда на открито.
- Не излагайте уреда на дъжд и влага. Водата, проникнала в уреда повишава риска от токов удар.
- Температурата на достъпните повърхности може да е висока, когато уредът се използва.
- Не докосвайте нагорещени части, тъй като това може да доведе до сериозни изгаряния.

УПОТРЕБА И ГРИЖИ

- Преди всяка употреба издърпайте напълно захранващия кабел на уреда.
- Не използвайте уреда, ако частите или аксесоарите не са правилно монтирани.
- Не използвайте уреда, ако прикрепените към него аксесоари са дефектни. Незабавно ги сменете.
- Не използвайте уреда, когато е празен.
- Не използвайте уреда, ако превключвателят на таймера не работи правилно.
- Не премествайте уреда, докато се използва.
- За да запазите незалепащото покритие в добро състояние, не използвайте метални или заострени прибори върху него.
- Не препълвайте уреда.
- Изключете уреда от електрическата мрежа, когато не го използвате и преди да започнете почистване.
- Съхранявайте този уред на място, недостъпно за деца и/или лица с физически, сензорни или умствени увреждания или с липса на опит и познания.
- Не съхранявайте и не транспортирайте уреда, ако той е все още горещ.
- Никога не оставяйте уреда свързан и без надзор, ако не се използва. Това спестява енергия и удължава живота на уреда.
- Използвайте само съдове, подходящи за работа при високи температури.

- В приложената таблица можете да намерите препоръка за температурата и времето за готвене за няколко ястия.

ОПИСАНИЕ

A	Цифров контролен панел
B	Основен корпус
C	Дръжка
D	Изход за въздух
E	Незалепаща тава
F	Котлон за пържене
G	Захранващ кабел
H	Прозорец

ПАНЕЛ ЗА УПРАВЛЕНИЕ

1	LCD
2	Бутони за избор на температура
3	Селектор за програми
4	Бутони за избор на време
5	Бутон за захранване
6	Индикатор за вентилатор
7	Индикатори за температура/време
8	Програмни показатели
9	Индикатор за работа

Ако моделът на вашия уред не разполага с описаните по-горе аксесоари, те могат да бъдат закупени отделно от службата за техническа помощ.

ИНСТРУКЦИИ ЗА УПОТРЕБА

ПРЕДИ УПОТРЕБА

- Уверете се, че цялата опаковка на продукта е отстранена.
- Преди да използвате продукта за първи път, почистете частите, които ще бъдат в контакт с храна, по начина, описан в раздел "Почистване".

ИЗПОЛЗВАЙТЕ

- Развийте кабела напълно, преди да го включите.
- Свържете уреда към електрическата мрежа.
- Внимателно извадете съда за пържене от фритюрника.
- Забележка: манипулирайте съда за пържене с помощта на дръжката на съда за пържене. Не докосвайте съда за пържене, когато е горещ.

- Поставете съставките, които искате да запържите, в съда за пържене.
- Поставете съда за пържене във фритюрника и натиснете бутона за включване.
- След като гърнето бъде правилно поставено в основния корпус, светлинният индикатор за захранване ще светне.
- Настройте температурата и времето с помощта на бутоните за избор на температура и за избор на време. Температурата и времето по подразбиране са 200 °C и 15 минути. В противен случай изберете един от 8-те предварително зададени режима, като натиснете бутона за избор на програма.
- Изберете бутона за включване, за да стартирате процеса на готвене.
- Натиснете клавиша за захранване за 3 секунди, за да спрете цялото устройство по време на готвене. На екрана ще се покаже "OFF". Текстът "OFF" на дисплея изчезва, вентилаторът спира да работи 20 секунди по-късно и цялото устройство се изключва.

ВРЕМЕ И ТЕМПЕРАТУРА

- Ако желаете, можете да промените настройките на температурата и времето с помощта на селекторите за време и температура.

ПРЕДВАРИТЕЛНО ЗАДАДЕНИ ПРОГРАМИ

- Този уред има 8 предварително зададени програми.
- За да изберете програма, натиснете бутона за избор на програма.
- Избирането на бутона за включване ще стартира процеса на готвене.
- Ако желаете, можете също така да промените настройките на температурата и времето за предварително зададените програми, като използвате съответните икони.
- Бутоните за избор на температура позволяват да увеличавате или намалявате температурата на готвене с по 5 °C. Ако задържите клавиша натиснат, температурата ще се промени бързо. Бутон за контрол на температурата 80 °C - 200 °C.
- С бутоните за избор на време можете да увеличавате или намалявате времето за готвене с по една минута. Ако задържите клавиша натиснат, времето ще се промени бързо.
- Когато времето за готвене приключи, фритюрникът ще издаде няколко звукови сигнала и ще се изключи автоматично.
- Проверете дали храната е сготвена.
- Ако не е, трябва само да върнете контейнера обратно във фритюрника и да програмирате таймера да готви още няколко минути.

- **ВНИМАНИЕ:** Гърнето и храната ще бъдат много ГОРЕЩИ.
- Поставете съда за пържене върху гладка повърхност, която може да работи при високи температури.
- Някои съставки изискват разклащане по средата на времето за приготвяне. За да разклатите съставките, издърпайте съда за пържене от уреда за дръжката и го разклатете. След това плъзнете съда за пържене обратно във фритюрника.

ПРОЗОРЕЦ

- Този уред има прозорче в съда за пържене, за да проверявате състоянието на готвенето по време на готвене.

СЛЕД КАТО ПРИКЛЮЧИТЕ С ИЗПОЛЗВАНЕТО НА УРЕДА

- Изключете уреда от електрическата мрежа.
- Оставете го да се охлади.
- Почистете уреда, както е обяснено в раздел "Почистване".

ПОЧИСТВАНЕ

- Изключете уреда от електрическата мрежа и го оставете да изстине, преди да започнете почистване.
- Почистете оборудването с влажна кърпа с няколко капки течност за миене на съдове и след това го подсушете.
- Не използвайте разтворители или продукти с киселинно или основно рН, като белина, или абразивни продукти за почистване на уреда.
- Никога не поталяйте уреда във вода или друга течност и не го поставяйте под течаща вода.
- Препоръчително е да почиствате уреда редовно и да отстранявате остатъците от храна.
- Ако уредът не е в добро състояние на чистота, повърхността му може да се влоши и това неумолимо да повлияе на продължителността на полезния живот на уреда и да стане опасен за употреба.
- Нито една от частите на този уред не е подходяща за почистване в съдомиялна машина. Могат да се мият в гореща сапунена вода.
 - Котлон за пържене
 - Незалепаща тава

СЕРВИЗ

- Неправилното използване на уреда или неспазването на указанията за работа е опасно, анулира гаранцията и освобождава производителя от отговорност.

НЕИЗПРАВНОСТИ И РЕМОНТ

- В случай на неизправност, моля отнесете уреда в оторизиран сервис за техническо обслужване. Моля не се опитвайте да разглобявате уреда или пък да го поправяте - това е опасно.

ГАРАНЦИЯ И ТЕХНИЧЕСКА ПОМОЩ

Този продукт се ползва с признаването и защитата на правната гаранция в съответствие с действащото законодателство. За да защитите своите права или интереси, трябва да отидете до някоя от нашите официални служби за техническа помощ.

Можете да намерите най-близкия от тях, като влезете в следната интернет връзка: <https://www.blackanddecker.eu/>

Можете също да поискате свързана информация, като се свържете с нас.

Можете да изтеглите това ръководство за употреба и неговите актуализации на адрес <https://www.blackanddecker.eu/>

ЗА РАЗНОВИДНОСТИТЕ ЕУ НА ТОВА ИЗДЕЛИЕ И/ИЛИ В СЛУЧАЯ, ПРИЛОЖИМ ЗА ВАШАТА СТРАНА ОПАЗВАНЕ НА ОКОЛНАТА СРЕДА И РЕЦИКЛИРАНЕ НА ИЗДЕЛИЕТО.

- Материалите, от които изработена опаковката на този електроуред са включени в системата за тяхното събиране, класифициране и рециклиране. Ако желаете да се освободите от тях, използвайте обществените контейнери, пригодени за всеки отделен вид материал.
- В изделието отсъстват концентрации на вещества, които могат да бъдат определени като вредни за околната среда.



Този символ означава, че ако желаете да се освободите от уреда, след като експлоатационният му живот е изтекъл, трябва да го предадете по подходящ начин на фирма за преработка на отпадъци, оторизирана за разделно събиране на относително отпадъци от електрическо и електронно оборудване (ОЕЕО).

- Настоящият уред изпълнява Директива 2014/35/EU за ниски напрежения, Директива 2014/30/EU за електромагнитно съответствие и с Директива 2011/65/EU за ограниченията при употреба на някои определени опасни вещества в електрически и електронни апарати и с Директива 2009/125/EC за

изискванията за екологичен дизайн, приложими към изделия, свързани с енергия.

Black & Decker® и BLACK+DECKER™ и логата на Black & Decker® и BLACK+DECKER™ са регистрирани търговски марки на The Black & Decker® Corporation и се използват с лиценз. Всички права запазени. Внася се и се разпространява от ENGINEERING AND TECHNOLOGY FOR LIFE, SL Avda. Barcelona s/n Ollana, 25790, Spain

ТАБЛИЦА ЗА ПРЕПОРЪКИ

• Тук можете да намерите нашите препоръки за времето и температурата за пържене на различни ястия.

Съставки	Мин-макс Количество (g)	Време (мин.)	Температура (°C)	Разкла- щане	Допълнителна информация
Замразени пържени картофи	400-800	17-25	200	Разкла- щане	
Палки за барабани	600-800	22-25	180	Разкла- щане	
Пица	600-800	25-30	180		
Риба	500-800	16-18	180		Обърнете се
Скариди	400-800	12-15	180	Разкла- щане	
Пържолка	100-200	16-20	180		Обърнете се
Патладжан	400-600	17-22	160		
Торта	120-250	17	160		

ОТСТРАНЯВАНЕ НА НЕИЗПРАВНОСТИ

Проблем	Възможна причина	Решение
Въздушната фритюрница не работи.	Уредът не е включен към електрическата мрежа.	Поставете щепсела на захранващия кабел в заземен стенов контакт.
	Не сте настроили таймера.	Настройте клавиша за таймера на необходимото време за подготовка, за да включите уреда.
Съставките, изпържени във фритюрника, не са готови.	Количеството съставки в кошницата е твърде голямо.	Сложете по-малки партиди съставки в кошницата. По-малките партиди се пържат по-равномерно.
	Зададената температура е твърде ниска.	Настройте клавиша за температурата на необходимата температурна настройка. Вижте "Време и температура" в раздела "Инструкции за употреба".
	Времето за подготовка е твърде кратко.	Настройте таймера на необходимото време за приготвяне. Вижте "Време и температура" в раздела "Инструкции за употреба".

Съставките се запържват неравномерно във фритюрника.	Някои видове съставки трябва да се разклатят по средата на времето за приготвяне.	Съставките, които лежат една върху друга или една върху друга (напр. пържени картофи), трябва да се разклатят по средата на времето за приготвяне. Вижте "Време и температура" в раздела "Инструкции за употреба".
Пържените закуски не са хрупкави, когато се извадят от фритюрника.	Използвали сте вид закуска, предназначена за приготвяне в традиционен фритюрник.	Използвайте закуски за фурна или леко намажете закуските с олио, за да станат по-хрупкави.
Не мога да вкарам тигана правилно в уреда.	В съда за пържене има твърде много съставки.	Не пълнете съда за пържене над индикацията MAX.
	Тавата с незалепващо покритие не е поставена правилно в съда за пържене.	Натиснете незалепващата тава надолу в съда за пържене, докато не може да се придвижи повече.
От уреда излиза бял дим.	Пригответе мазни съставки.	Когато пържите мазни съставки във фритюрника, голямо количество олио ще изтече в съда. Маслото отделя бял дим и тенджерата може да се нагорещи повече от обичайното. Това не се отразява на уреда или на резултата.
	В съда все още има остатъци от мазнина от предишна употреба.	Белият дим се дължи на нагриването на мазнината в съда. Уверете се, че почиствате тигана правилно след всяка употреба.
Пресните пържени картофи се изпържват неравномерно във фритюрника.	Не сте използвали правилния тип картофи.	Използвайте пресни картофи и се уверете, че са твърди по време на пърженето.
	Не сте изплакнали добре картофените пръчици, преди да ги изпържите.	Изплакнете добре картофените пръчици, за да отстраните нишестето от външната им страна.
Пържените закуски не са хрупкави, когато се извадят от фритюрника.	Хрупкавостта на пържените картофи зависи от количеството олио и вода в картофите.	Уверете се, че сте подсушили добре картофените пръчици, преди да добавите маслото.
		Нарежете картофените пръчици на по-малки парчета, за да станат по-хрупкави.
		Добавете малко повече олио, за да получите по-хрупкав резултат.

FREGIDORA D'AIRE BXAF6500E

Benvolgut client,

Moltes gràcies per triar comprar un producte de la marca Black+Decker.

La seva tecnologia, el seu disseny i la seva funcionalitat, així com el fet de superar les normes de qualitat més estrictes, us comportaran una satisfacció total durant molt de temps.

CONSELLS I ADVERTIMENTS DE SEGURETAT

- Llegiu atentament aquest full d'instruccions abans d'engegar l'aparell i conserveu-lo per a consultes posteriors. No observar i incomplir aquestes instruccions pot tenir com a resultat un accident.
- Abans de fer-lo servir per primer cop, netegeu totes les parts del producte que estaran en contacte amb els aliments, tal com s'indica a l'apartat de neteja.
- Aquest aparell el poden fer servir nens de més de 8 anys i persones amb capacitats físiques, sensorials o mentals reduïdes o falta d'experiència i coneixement, sempre que tinguin una supervisió o una formació adequada per fer servir l'aparell d'una manera segura i entenguin els riscos que implica. Els nens no han de jugar amb l'aparell. La neteja i el manteniment per compte de l'usuari no poden dur-lo a terme nens sense supervisió.
- Aquest aparell no està pensat per funcionar mitjançant un temporitzador

extern o un sistema de control remot independent.

- Si el cable de corrent està danyat, ha de ser substituït pel fabricant, el seu agent de servei o persones qualificades similars per evitar un perill.
- Aquest aparell està pensat per ser utilitzat en aplicacions domèstiques i similars, com ara:
 - zones de cuina del personal en botigues, oficines i altres entorns de treball;
 - masies;
 - per clients en hotels, motels i altres entorns de tipus residencial;
 - entorns tipus bed and breakfast.



ATENCIÓ, superfícies calentes.

- Abans d'endollar l'aparell a la xarxa, proveu que el voltatge indicat a la placa de característiques coincideix amb el voltatge de xarxa.
- Connecteu l'aparell a una presa de corrent amb una potència mínima de 10 amperes.
- L'endoll de l'aparell ha de coincidir amb la base elèctrica de la presa de corrent. Mai modifiqueu l'endoll. No feu servir adaptadors de corrent.
- No utilitzeu l'aparell si el cable de corrent o l'endoll està danyat.
- No estireu del cable de corrent. No feu servir mai el cable de corrent per aixecar, transportar o desendollar l'aparell.
- No enrotlleu el cable de corrent al voltant de l'aparell.
- Comproveu l'estat del cable de corrent. Si està danyat, augmentarà el risc de descàrrega elèctrica.
- No deixeu que el cable de corrent pengi lliurement ni entri en contacte amb les superfícies calentes de l'aparell.
- Si la carcassa de l'aparell es trenca, desendolleu-lo immediatament de la xarxa per evitar la possibilitat de patir un xoc elèctric.
- No toqueu l'endoll de connexió amb les mans molles.
- Només per a ús interior.
- No feu servir ni guardeu l'aparell a la intempèrie.

- No exposeu l'aparell a la pluja o a condicions d'humitat. L'aigua que entri a l'aparell augmentarà el risc de xoc elèctric.
- La temperatura de les superfícies accessibles pot ser elevada quan l'aparell està en ús.
- No toqueu cap part escalfada, ja que pot provocar cremades greus.

ÚS I CURA

- Esteneu completament el cable de corrent de l'aparell abans de cada ús.
- No utilitzeu l'aparell si les peces o accessoris no estan ben col·locats.
- No utilitzeu l'aparell si els accessoris que s'hi adjunten són defectuosos. Substituiu-los immediatament.
- No utilitzeu l'aparell quan estigui buit.
- No utilitzeu l'aparell si l'interruptor temporitzador no funciona correctament.
- No moveu l'aparell mentre s'utilitza.
- Per mantenir el tractament antiadherent en bon estat, no utilitzeu estris metàl·lics ni punxeguts.
- No ompliu excessivament l'aparell.
- Desconnecteu l'aparell de la xarxa elèctrica quan no s'utilitzi i abans de netejar-lo.
- Emmagatzemeu aquest aparell fora de l'abast de nens i/o persones amb problemes físics, sensorials o psíquics reduïts o amb manca d'experiència i coneixements.
- No emmagatzemeu ni transporteu l'aparell si encara és calent.
- No deixeu mai l'aparell connectat i desatès si no s'utilitza. Això estalvia energia i allarga la vida de l'aparell.
- Utilitzeu només estris adequats per suportar altes temperatures.
- Com a referència, a la taula annexa trobareu una recomanació sobre la temperatura i el temps de cocció de diversos plats.

DESCRIPCIÓ

A	Panell de control digital
B	Carcassa principal
C	Nansa
D	Sortida d'aire
E	Safata antiadherent
F	Cistella
G	Cable de corrent
H	Finestra

PANELL DE CONTROL

1	LCD
2	Botons de selecció de temperatura
3	Selector de programes
4	Botons de selecció de temps
5	Botó d'encendre
6	Indicador de ventilador
7	Indicadors de temperatura/temps
8	Indicadors del programa
9	Indicador de treball

Si el model del teu electrodomèstic no disposa dels accessoris descrits anteriorment, també es poden comprar per separat al Servei d'Assistència Tècnica.

INSTRUCCIONS D'ÚS

ABANS DEL SEU ÚS

- Assegureu-vos que s'ha eliminat del tot l'embalatge del producte.
- Abans d'utilitzar el producte per primera vegada, netegeu les parts que entraran en contacte amb els aliments de la manera descrita a la secció de «Neteja».

ÚS

- Desenrotlleu completament el cable de corrent abans de connectar-lo.
- Endolheu l'aparell a la xarxa elèctrica.
- Traieu la cistella de la fregidora amb cura.
- Nota: manipuleu la cistella amb la nansa. No toqueu la cistella quan estigui calenta.
- Poseu els ingredients que voleu fregir dins de la cistella.
- Introduïu la cistella a la fregidora i premeu el botó d'encesa.
- Un cop la cistella estigui col·locada correctament a la carcassa principal, la llum d'alimentació s'il·luminarà.
- Ajusteu la temperatura i l'hora mitjançant el selector de temperatura i els botons de selecció de temps. La temperatura i el temps predeterminats són 200 °C i 15 minuts. En cas contrari, seleccioneu un dels 8 modes preestablerts prement el botó selector de programes.
- Seleccioneu el botó d'encesa per iniciar el procés de cocció.
- Premeu la tecla d'encesa durant 3 segons per aturar tot el dispositiu durant la cocció. "OFF" es mostrarà a la pantalla. El text "OFF" a la pantalla desapareix, el ventilador deixa de funcionar 20 segons després i tot el dispositiu s'apaga.

TEMPS I TEMPERATURA

- Si ho desitja, també podeu canviar la configuració de la temperatura i l'hora mitjançant els selectors de temps i temperatura.

PROGRAMES PREESTABLERTS

- Aquest aparell té 8 programes preestablerts.
- Per seleccionar un programa, premeu el botó selector de programes.
- Si seleccioneu el botó d'encesa, s'iniciarà el procés de cocció.
- Si ho desitgeu, també podeu canviar la configuració de temperatura i hora dels programes preestablerts mitjançant els selectors de temps i temperatura.
- Els botons de selecció de temperatura us permeten augmentar o disminuir la temperatura de cocció en 5 °C cada vegada. Mantenir premuda la tecla canviarà ràpidament la temperatura. Botó de control de temperatura 80 °C - 200 °C.
- Els botons de selecció de temps us permeten augmentar o reduir el temps de cocció, un minut cada vegada. Mantenir premuda la tecla canviarà ràpidament el temps.
- La fregidora emetrà diversos sons quan hagi acabat el temps de cocció i s'apagarà automàticament.
- Comproveu que el menjar estigui cuit.
- Si no és així, només heu de tornar a posar la cistella a la fregidora i programar el temporitzador perquè es cogui uns minuts més.
- ATENCIÓ: La cistella i el menjar estaran molt CALENTS.
- Col·loqueu la cistella sobre una superfície plana que sigui capaç de suportar altes temperatures.
- Alguns ingredients els haureu de sacsejar a la meitat del temps de preparació. Per sacsejar els ingredients, traieu la cistella de l'aparell per la nansa i sacsegeu-la. A continuació, torneu a ficar la cistella a la fregidora d'aire.

FINESTRA

- Aquest aparell té una finestra a la cistella per comprovar l'estat de cocció durant la cocció.

UN COP HÀGIU ACABAT D'UTILITZAR L'APARELL

- Desendolleu l'aparell.
- Deixeu-lo refredar.
- Netegeu l'aparell tal com s'explica a la secció de «Neteja».

NETEJA

- Desconnecteu l'aparell de la xarxa elèctrica i deixeu-lo refredar abans d'emprendre qualsevol tasca de neteja.

- Netegeu l'equip amb un drap humit amb unes gotes de líquid de rentat i després eixugueu-lo.
- No utilitzeu dissolvents, ni productes amb un pH àcid o base, com ara lleixiu, ni productes abrasius, per netejar l'aparell.
- No submergiu mai l'aparell en aigua ni en cap altre líquid, ni el poseu sota l'aixeta.
- És recomanable netejar l'aparell regularment i treure qualsevol reste d'aliment.
- Si l'aparell no està en bon estat de neteja, la seva superfície es pot degradar i afectar inexorablement la durada de la vida útil de l'aparell i podria arribar a ser insegur d'utilitzar.
- Cap de les parts d'aquest aparell és apta per a la neteja al rentavaixelles. Es poden rentar amb aigua calenta i sabó.
 - Cistella
 - Safata antiadherent

SERVEI

- L'ús inadequat o en desacord amb les instruccions d'ús pot comportar un perill i anul·lar la garantia i la responsabilitat de fabricant.

ANOMALIES I REPARACIÓ

- En cas d'avaria porteu l'aparell a un Servei d'Assistència Tècnica autoritzat. No intenteu desmuntar-lo ni reparar-lo, ja que hi pot haver perill.

GARANTIA I ASSISTÈNCIA TÈCNICA

Aquest producte gaudeix del reconeixement i protecció de la garantia legal d'acord amb la legislació vigent. Per fer valer els teus drets o interessos, has de dirigir-te a qualsevol dels nostres serveis oficials d'assistència tècnica.

Podeu trobar el més proper accedint al següent enllaç web: <https://www.blackanddecker.eu/>

També podeu sol·licitar informació relacionada posant-vos en contacte amb nosaltres.

Podeu descarregar-vos aquest manual d'instruccions i les seves actualitzacions a <https://www.blackanddecker.eu/>

PER A LES VERSIONS EU DEL PRODUCTE I/O EN CAS QUE EL PAÍS HO APLIQUI

ECOLOGIA I RECICLABILITAT DEL PRODUCTE

- Els materials que componen l'envàs d'aquest aparell estan integrats en un sistema de recollida, classificació i reciclatge. Si voleu desfer-vos-en, feu servir els contenidors públics adequats per a cada tipus de material.

- El producte està exempt de concentracions de substàncies que es puguin considerar perjudicials per al medi ambient.



Aquest símbol significa que, si us voleu desfer del producte, un cop exhaurida la seva vida, l'heu de dipositar, a través dels mitjans adequats, en mans d'un gestor de residus autoritzat per a la recollida selectiva de Residus d'Aparells Elèctrics i Electrònics (RAEE).

- Aquest aparell compleix amb la Directiva 2014/35/EU de baixa tensió, amb la Directiva 2014/30/EU de compatibilitat electromagnètica, amb la Directiva 2011/65/EU sobre restriccions a la utilització de determinades substàncies perilloses en aparells elèctrics i electrònics i amb la Directiva 2009/125/EC sobre els requisits de disseny ecològic aplicables als productes relacionats amb l'energia.

Black & Decker® i BLACK+DECKER™ i els logotips de Black & Decker® i BLACK+DECKER™ són marques registrades de The Black & Decker® Corporation i s'utilitzen sota llicència. Tots els drets reservats. Importat i distribuït per ENGINEERING AND TECHNOLOGY FOR LIFE, SL Avda. Barcelona s/n Oliana, 25790, Espanya.

TAULA DE RECOMANACIÓ

- Aquí podeu trobar la nostra recomanació sobre el temps i la temperatura per fregir els diferents menjars.

Ingredients	Quantitat mínima-màxima (g)	Temps (min)	Temperatura (°C)	Remenar	Informació addicional
Patates fregides congelades	400-800	17-25	200	Remenar	
Cuixes	600-800	22-25	180	Remenar	
Pizza	600-800	25-30	180		
Peix	500-800	16-18	180		Gireu-vos
Gambes	400-800	12-15	180	Remenar	
Bistec	100-200	16-20	180		Gireu-vos
Albergínia	400-600	17-22	160		
Pastís	120-250	17	160		

RESOLUCIÓ DE PROBLEMES

Problema	Possible causa	Solució
La fregidora no funciona.	L'aparell no està endollat.	Endolheu el cable de corrent en una presa de corrent.
	No heu configurat el temporitzador.	Ajusteu la tecla del temporitzador al temps de preparació necessari per encendre l'aparell.
Els ingredients fregits amb la fregidora d'aire no estan fets.	La quantitat d'ingredients a la cistella és massa gran.	Poseu lots més petits d'ingredients a la cistella. Els lots més petits es fregeixen de manera més uniforme.
	La temperatura ajustada és massa baixa.	Establiu la tecla de temperatura a la configuració de temperatura requerida. Vegeu 'Temps i temperatura' a l'apartat «Instruccions d'ús».
	El temps de preparació és massa curt.	Ajusteu el temporitzador al temps de preparació requerit. Vegeu 'Temps i temperatura' a l'apartat «Instruccions d'ús».
Els ingredients es fregeixen de manera desigual a la fregidora d'aire.	Alguns tipus d'ingredients s'han de remenar a la meitat del temps de preparació.	Els ingredients que es cavalquen entre ells (p. ex. patates fregides) s'han de remenar a la meitat del temps de preparació. Vegeu 'Temps i temperatura' a l'apartat «Instruccions d'ús».
Els aperitius fregits no queden cruixents quan surten de la fregidora.	Heu utilitzat un tipus de menjar pensat per ser preparat en una fregidora tradicional.	Utilitzeu aperitius al forn o raspalleu lleugerament una mica d'oli sobre els aperitius per obtenir un resultat més cruixent.
No puc ficar correctament la cistella a l'aparell.	Hi ha massa ingredients a la cistella.	No ompliu la cistella més enllà de la indicació MAX.
	La safata antiadherent no està col·locada correctament a la cistella.	Empenyeu la safata antiadherent cap avall a la cistella fins que no es pugui moure més.
Surt fum blanc de l'aparell.	Esteu preparant ingredients greixosos.	Quan fregiu ingredients greixosos a la fregidora d'aire, una gran quantitat d'oli es filtrarà a la cistella. L'oli produeix fum blanc i la cistella pot escalfar-se més de l'habitual. Això no afecta l'aparell ni el resultat.
	La cistella encara conté residus de greix d'ús anterior.	El fum blanc és causat per l'escalfament del greix a la cistella. Assegureu-vos de netejar correctament la cistella després de cada ús.
Les patates fregides fresques es fregeixen de manera desigual a la fregidora d'aire.	No heu utilitzat el tipus de patata adequat.	Utilitzeu patates fresques i assegureu-vos que es mantinguin fermes durant el fregit.
	No heu esbandit bé les patates abans de fregir-les.	Esbandiu bé les patates per eliminar-ne el midó de l'exterior.
Les patates fregides no queden cruixents quan surten de la fregidora.	El cruixent de les patates fregides depèn de la quantitat d'oli i aigua de les patates fregides.	Assegureu-vos d'eixugar bé les patates abans d'afegir l'oli.
		Talleu les patates més fines per obtenir un resultat més cruixent.
		Afegiu-hi una mica més d'oli per obtenir un resultat més cruixent.

AIR FRYER BXAF6500E

Kære kunde,

Mange tak, fordi du valgte at købe et Black+Decker-mærkeprodukt.

Takket være sin teknologi, design og drift og det faktum, at det overstiger de strengeste kvalitetsstandarder, kan en fuldt tilfredsstillende brug og lang produktlevetid sikres.

SIKKERHEDSRÅD OG ADVARSLER

- Læs denne vejledning omhyggeligt, inden du tænder for apparatet, og opbevar dem til senere brug. Manglende overholdelse og overholdelse af disse instruktioner kan føre til en ulykke.
- Rengør alle de dele af produktet, der vil være i kontakt med mad, som angivet i rengøringsafsnittet, før brug.
- Dette apparat kan bruges af børn i alderen 8 år og opefter og personer med reducerede fysiske, sensoriske eller mentale evner eller manglende erfaring og viden, hvis de er under opsyn eller har fået instruktion i brugen af apparatet på en sikker måde og forstår de involverede farer. Børn må ikke lege med apparatet. Rengøring og vedligeholdelse må ikke foretages af børn, medmindre de er under opsyn.
- Dette apparat er ikke beregnet til at blive betjent ved hjælp af en ekstern timer eller et separat fjernbetjeningssystem.
- Hvis forsyningsledningen er beskadiget, skal den udskiftes af producenten, dennes serviceagent eller lignende

kvalificerede personer for at undgå en fare.

- Dette apparat er beregnet til brug i husholdninger og lignende anvendelsesområder som f.eks.:

- personalekøkkenområder i butikker, kontorer og andre arbejdsmiljøer;
- farmhouses;
- af kunder på hoteller, moteller og andre boliglignende miljøer;
- Bed and Breakfast-miljøer.



FORSIGTIG, varme overflader.

- Sørg for, at den spænding, der er angivet på klassificeringsetiketten, svarer til netspændingen, inden apparatet sættes i stikkontakten.
- Tilslut apparatet til en stikkontakt på mindst 10 ampere.
- Apparatets stik skal passe korrekt i stikkontakten. Du må ikke ændre stikket. Brug ikke stikadaptere.
- Brug ikke apparatet, hvis ledningen eller stikket er beskadiget.
- Træk ikke i forsyningsledningen. Brug aldrig netledningen til at løfte apparatet op, bære eller tage stikket ud af stikkontakten.
- Sæt ikke netledningen rundt om apparatet.
- Kontroller forsyningsledningens tilstand. Hvis den er beskadiget, vil det øge risikoen for elektrisk stød.
- Tilslutningskablet må ikke hænge frit og må ikke komme i kontakt med apparatets varme overflader.
- Hvis apparatets kabinet går i stykker, skal du straks afbryde apparatet fra lysnettet for at forhindre muligheden for elektrisk stød.
- Rør ikke ved stikket med våde hænder.
- Kun til indendørs brug.
- Brug eller opbevar ikke apparatet udendørs.
- Lad ikke apparatet være ude i regnvejrr eller udsættes for fugt. Hvis der kommer vand ind i apparatet, vil dette øge risikoen for elektrisk stød.
- Temperaturen på de tilgængelige overflader kan være høj, når apparatet er i brug.
- Rør ikke ved nogen opvarmede dele, da dette kan medføre alvorlige forbrændinger.

BRUG OG PLEJE

- Træk apparatets strømkabel helt ud før hver brug.
- Brug ikke apparatet, hvis delene eller tilbehøret ikke er korrekt monteret.
- Brug ikke apparatet, hvis tilbehøret, der er monteret på det, er defekt. Udskift dem med det samme.
- Brug ikke apparatet, når det er tomt.
- Brug ikke apparatet, hvis timeren ikke fungerer korrekt.
- Flyt ikke apparatet, mens det er i brug.
- For at holde non-stick behandlingen i god stand, må du ikke bruge metal eller spidse redskaber på den.
- Apparatet må ikke overfyldes.
- Afbryd apparatet fra stikkontakten, når det ikke er i brug, og før du udfører nogen rengøringsopgaver.
- Opbevar dette apparat utilgængeligt for børn og/eller personer med fysisk, sensorisk eller nedsat mental eller mangel på erfaring og viden.
- Opbevar eller transporter ikke apparatet, hvis det stadig er varmt.
- Efterlad aldrig apparatet tilsluttet og uden opsyn, hvis det ikke er i brug. Dette sparer energi og forlænger apparatets levetid.
- Brug kun redskaber, der er egnede til at understøtte høje temperaturer.
- Som reference finder du i den vedlagte tabel en anbefaling om tilberedningstemperatur og tid for flere måltider.

BESKRIVELSE

A	Digitalt kontrolpanel
B	Hovedhus
C	Håndtere
D	Luftudtag
E	Non-stick bakke
F	Stegepande
G	Forsyningsledning
H	Vindue

KONTROLPANEL

1	LCD
2	Temperaturvælgerknapper
3	Programvælger
4	Knapper til valg af tid
5	Afbryderknop
6	Ventilator indikator
7	Indikatorer for temperatur/tid

8 Programindikatorer

9 Arbejdsindikator

Hvis modellen af dit apparat ikke har det ovenfor beskrevne tilbehør, kan det også købes separat fra den tekniske assistenceservice.

BRUGSANVISNING

FØR BRUG

- Sørg for, at hele produktets emballage er fjernet.
- Før du bruger produktet første gang, skal du rengøre de dele, der kommer i kontakt med fødevarer, på den måde, der er beskrevet i afsnittet "Rengøring".

BRUG

- Rul kablet helt ud, før du sætter det i.
- Tilslut apparatet til lysnettet.
- Tag stegegyden forsigtigt ud af frituregyden.
- Bemærk: Håndter stegegyden med stegegydehåndtaget. Rør ikke ved stegegyden, når den er varm.
- Læg de ingredienser, du vil stege, i stegegyden.
- Sæt stegegyden ind i frituregyden, og tryk på tænd/sluk-knappen.
- Når gryden er korrekt placeret i hovedhuset, vil strømlampen lyse.
- Indstil temperatur og tid med temperaturvælger- og tidsvælgerknapperne. Standardtemperaturen og -tiden er 200°C og 15 minutter. Ellers kan du vælge en af de 8 forudindstillede tilstande ved at trykke på programvælgerknappen.
- Vælg tænd/sluk-knappen for at starte tilberedningsprocessen.
- Tryk på tænd/sluk-tasten i 3 sekunder for at stoppe hele apparatet under tilberedningen. "OFF" vises på skærmen. Teksten "OFF" på displayet forsvinder, blæseren holder op med at arbejde 20 sekunder senere, og hele enheden slukker.

INDSTILLING AF TID OG TEMPERATUR

- Hvis du ønsker det, kan du også ændre temperatur- og tidsindstillingerne ved hjælp af tids- og temperaturvælgerne.

FORUDINDSTILLEDE PROGRAMMER

- Dette apparat har 8 forudindstillede programmer.
- For at vælge et program skal du trykke på programvælgerknappen.
- Hvis du vælger tænd/sluk-knappen, starter tilberedningsprocessen.

- Hvis du ønsker det, kan du også ændre temperatur- og tidsindstillingerne for de forudindstillede programmer ved hjælp af de tilsvarende ikoner.
- Med temperaturvælgerknapperne kan du øge eller sænke tilberedningstemperaturen med 5 °C ad gangen. Hvis du holder tasten nede, ændres temperaturen hurtigt. Temperaturkontrolknop 80 °C - 200 °C.
- Med tidsvælgerknapperne kan du øge eller reducere tilberedningstiden, et minut ad gangen. Hvis du holder tasten nede, ændres tiden hurtigt.
- Frituregryden bipper flere gange, når tilberedningstiden er slut, og slukker automatisk.
- Tjek at maden er tilberedt.
- Hvis den ikke er det, skal du blot sætte beholderen tilbage i frituregryden og programmere timeren til at stege et par minutter mere.
- **ADVARSEL:** Gryden og maden vil være meget **VARMT**.
- Sæt stegegryden over en almindelig overflade, der kan tåle høje temperaturer.
- Nogle ingredienser skal rystes halvvejs gennem tilberedningstiden. Hvis du vil ryste ingredienserne, skal du trække stegegryden ud af apparatet ved håndtaget og ryste den. Sæt derefter stegegryden tilbage i frituregryden.

VINDUE

- Dette apparat har et vindue i stegegryden, så man kan kontrollere tilberedningsstatus under tilberedningen.

NÅR DU ER FÆRDIG MED AT BRUGE APPARATET

- Tag stikket ud af stikkontakten.
- Lad den køle af.
- Rengør apparatet, som det er forklaret i afsnittet "Rengøring".

RENGØRING

- Tag apparatet ud af stikkontakten, og lad det køle af, før du udfører nogen rengøringsopgaver.
- Rengør udstyret med en fugtig klud med et par dråber opvaskemiddel og tør det derefter.
- Brug ikke opløsningsmidler eller produkter med en sur eller base pH, såsom blegemiddel, eller slibende produkter til rengøring af apparatet.
- Nedsænk aldrig apparatet i vand eller anden væske, og stil det aldrig under rindende vand.
- Det er tilrådeligt at rengøre apparatet regelmæssigt og fjerne mad, der er tilbage.
- Hvis apparatet ikke er i god stand med hensyn til renlighed, kan dets overflade nedbrydes og ubønhørligt påvirke varigheden af apparatets levetid og kan blive usikker at bruge.

- Ingen af apparatets dele kan rengøres i opvaskemaskinen. De kan vaskes i varmt sæbevand.

- Stegepande
- Non-stick bakke

TJENESTE

- Enhver misbrug eller manglende overholdelse af brugsanvisningen gør garantien og producentens ansvar ugyldig.

UREGELMÆSSIGHEDER OG REPARATION

- Tag apparatet til en autoriseret teknisk supporttjeneste, hvis der opstår problemer. Forsøg ikke at afmontere eller reparere uden hjælp, da dette kan være farligt.

GARANTI OG TEKNISK ASSISTANCE

Dette produkt nyder godt af anerkendelsen og beskyttelsen af den juridiske garanti i overensstemmelse med gældende lovgivning. For at håndhæve dine rettigheder eller interesser skal du gå til en af vores officielle tekniske assistancetjenester.

Du kan finde den nærmeste ved at gå ind på følgende link: <https://www.blackanddecker.eu/>

Du kan også anmode om relaterede oplysninger ved at kontakte os.

Du kan downloade denne brugsanvisning og dens opdateringer på <https://www.blackanddecker.eu/>

FOR EU-PRODUKTVERSIONER OG/ELLER I TILFÆLDE AF, AT DER ANMODES OM DET I DIT LAND ØKOLOGI OG GENANVENDELIGHED AF PRODUKTET

- De materialer, som emballagen til dette apparat består af, indgår i et indsamlings-, klassificerings- og genvindingsystem. Hvis du ønsker at bortskaffe dem, skal du bruge de relevante offentlige containere til hver type materiale.
- Produktet indeholder ikke koncentrationer af stoffer, der kan betragtes som skadelige for miljøet.



Dette symbol betyder, at hvis du ønsker at bortskaffe produktet, når dets levetid er ophørt, skal du tage det til et godkendt affaldsmiddel til selektiv indsamling af affald af elektrisk og elektronisk udstyr (WEEE).

- Dette apparat er i overensstemmelse med direktiv 2014/35/EU om lavspænding, direktiv 2014/30/EU om elektromagnetisk kompatibilitet, direktiv 2011/65/EU om

begrænsning af anvendelsen af visse farlige stoffer i elektrisk og elektronisk udstyr og direktiv 2009/125/EF om krav til miljøvenligt design af energirelaterede produkter.

Black & Decker® og BLACK+DECKER™ og Black & Decker® og BLACK+DECKER™ logoerne er registrerede varemærker tilhørende The Black & Decker® Corporation og bruges under licens. Alle rettigheder forbeholdes. Importeret og distribueret af ENGINEERING AND TECHNOLOGY FOR LIFE, SL Avda. Barcelona s/n Oliana, 25790, Spain.

ANBEFALINGSTABEL

- Her kan du finde vores anbefaling om tid og temperatur for stegning af forskellige måltider.

ingredienser	Min-max Mængde (g)	Tid (min)	Temperatur (°C)	Ryste	Ekstra oplysninger
Frosne pommes frites	400-800	17-25	200	Ryste	
Trommestikker	600-800	22-25	180	Ryste	
Pizza	600-800	25-30	180		
Fisk	500-800	16-18	180		Vend dig om
Rejer	400-800	12-15	180	Ryste	
Bøf	100-200	16-20	180		Vend dig om
Eggplant	400-600	17-22	160		
Kage	120-250	17	160		

FEJLFINDING

Problem	Mulig årsag	Løsning
AIR FRYER virker ikke.	Apparatet er ikke tilsluttet.	Sæt stikket til forsyningskablet i en jordet stikkontakt.
	Du har ikke indstillet timeren.	Indstil timertasten til den nødvendige forberedelsestid for at tænde for apparatet.
Maden stegt med AIR FRYER er ikke færdig.	Mængden af ingredienser i kurven er for stor.	Læg mindre partier af ingredienser i kurven. Mindre partier steges mere jævnt.
	Den indstillede temperatur er for lav.	Indstil temperaturtasten til den ønskede temperaturindstilling. Se "Tid og temperatur" i afsnittet "Brugsanvisning".
	Forberedelsestiden er for kort.	Indstil timeren til den nødvendige forberedelsestid. Se "Tid og temperatur" i afsnittet "Brugsanvisning".
Ingredienserne steges ujævnt i airfryeren.	Visse typer ingredienser skal rystes halvvejs i tilberedningstiden.	Ingredienser, der ligger oven på eller på tværs af hinanden (f.eks. fritter), skal rystes halvvejs i tilberedningstiden. Se "Tid og temperatur" i afsnittet "Brugsanvisning".
Friturestegte snacks er ikke sprøde, når de kommer ud af AIR FRYER.	Du brugte en type snack, der skulle tilberedes i en traditionel frituregryde.	Brug ovnsnacks eller pensl lidt olie på snacksene for et sprødere resultat.
Jeg kan ikke skubbe gryden korrekt ind i apparatet.	Der er for mange ingredienser i stegegryden.	Fyld ikke stegegryden ud over MAX-angivelsen.
	Den non stick-bakke er ikke placeret korrekt i stegegryden.	Skub den non stick-bakke ned i stegegryden, indtil den ikke kan bevæge sig længere.
Der kommer hvid røg ud af apparatet.	Du forbereder fedtede ingredienser.	Når du steger fedtede ingredienser i airfryeren, vil der lække en stor mængde olie ned i gryden. Olien producerer hvid røg, og gryden kan blive varmere end normalt. Dette påvirker ikke apparatet eller resultatet.
	Gryden indeholder stadig fedtrest fra tidligere brug.	Hvid røg skyldes, at fedtet opvarmes i gryden. Sørg for at rengøre panden ordentligt efter hver brug.
Friske fritter steges ujævnt i airfryeren.	Du brugte ikke den rigtige kartoffeltype.	Brug friske kartofler og sørg for at de holder sig faste under stegningen.
	Du har ikke skyllet kartoffelstængerne ordentligt, før du stegte dem.	Skyl kartoffelstængerne ordentligt for at fjerne stivelse fra ydersiden af stængerne.
Friturestegte snacks er ikke sprøde, når de kommer ud af AIR FRYER.	Fritternes sprødhed afhænger af mængden af olie og vand i fritterne.	Sørg for at tørre kartoffelstængerne ordentligt, inden du tilsætter olien.
		Skær kartoffelstængerne mindre for et sprødere resultat.
		Tilsæt lidt mere olie for et sprødere resultat.

AIR FRYER BXAF6500E

Kjære kunde,

Tusen takk for at du valgte å kjøpe et Black+Decker-merkeprodukt.

Takket være sin teknologi, design og drift og det faktum at den overgår de strengeste kvalitetsstandardene, kan en fullt tilfredsstillende bruk og lang levetid sikres.

SIKKERHETSÅD OG ADVARSLER

- Les disse instruksjonene nøye før du slår på apparatet og oppbevar dem for fremtidig referanse. Unnlattelse av å følge og følge disse instruksjonene kan føre til en ulykke.
- Rengjør alle delene av produktet som kommer i kontakt med mat, som angitt i rengjøringsdelen, før bruk.
- Dette apparatet kan brukes av barn i alderen 8 år og eldre og personer med redusert fysisk, sensorisk eller mental evne eller mangel på erfaring og kunnskap hvis de har fått tilsyn eller instruksjon om bruk av apparatet på en sikker måte og forstår farene som er forbundet med. Barn skal ikke leke med apparatet. Rengjøring og brukervedlikehold skal ikke utføres av barn med mindre de er under oppsyn.
- Dette apparatet er ikke ment å betjenes ved hjelp av en ekstern timer eller et separat fjernkontrollsystem.
- Hvis strømledningen er skadet, må den skiftes ut av produsenten, dennes servicerepresentant eller tilsvarende kvalifiserte personer for å unngå fare.

- Dette apparatet er beregnet for bruk i husholdninger og lignende bruksområder som:

- personalkjøkkenområder i butikker, kontorer og andre arbeidsmiljøer;
- våningshus;
- av kunder i hoteller, moteller og andre boligmiljøer;
- miljøer av typen bed and breakfast.



FORSIKTIG, varme overflater.

- Forsikre deg om at spenningen som er angitt på klassifiseringsetiketten samsvarer med nettspenningen før du kobler til apparatet.
- Koble apparatet til en stikkontakt på minst 10 ampere.
- Apparatets støpsele må passe ordentlig inn i stikkontakten. Ikke endre støpselet. Ikke bruk pluggadaptere.
- Ikke bruk apparatet hvis strømledningen eller støpselet er skadet.
- Ikke trekk i strømledningen. Bruk aldri strømledningen til å løfte opp, bære eller trekke ut støpselet.
- Ikke pakk strømledningen rundt apparatet.
- Sjekk tilstanden til strømledningen. Hvis den er skadet, vil det øke risikoen for elektrisk støt.
- Ikke la tilkoblingskabelen henge fritt eller komme i kontakt med apparatets varme overflater.
- Hvis apparatets kabinett går i stykker, koble apparatet fra strømmettet umiddelbart for å unngå muligheten for elektrisk støt.
- Ikke berør støpselet med våte hender.
- Kun for innendørs bruk.
- Ikke bruk eller oppbevar apparatet utendørs.
- Ikke la apparatet stå ute i regnet eller utsettes for fuktighet. Hvis vann kommer inn i apparatet, vil dette øke risikoen for elektrisk støt.
- Temperaturen på de tilgjengelige overflatene kan være høy når apparatet er i bruk.
- Ikke berør noen oppvarmede deler, da dette kan forårsake alvorlige brannskader.

BRUK OG STELL

- Trekk apparatets strømledning helt ut før hver bruk.
- Ikke bruk apparatet hvis delene eller tilbehøret ikke er riktig montert.

- Ikke bruk apparatet hvis tilbehøret som er festet til det er defekt. Bytt dem umiddelbart.
- Ikke bruk apparatet når det er tomt.
- Ikke bruk apparatet hvis timerbryteren ikke fungerer som den skal.
- Ikke flytt apparatet mens det er i bruk.
- For å holde non-stick-behandlingen i god stand, ikke bruk metall eller spisse redskaper på den.
- Ikke overfyll apparatet.
- Koble apparatet fra strømmettet når det ikke er i bruk og før rengjøring.
- Oppbevar dette apparatet utilgjengelig for barn og/eller personer med fysisk, sensorisk eller redusert mental eller mangel på erfaring og kunnskap.
- Ikke oppbevar eller transporter apparatet hvis det fortsatt er varmt.
- La aldri apparatet være tilkoblet og uten tilsyn hvis det ikke er i bruk. Dette sparer energi og forlenger levetiden til apparatet.
- Bruk kun redskaper som er egnet til å tåle høye temperaturer.
- Som referanse finner du i den vedlagte tabellen en anbefaling om tilberedningstemperatur og tid for flere måltider.

BESKRIVELSE

A	Digitalt kontrollpanel
B	Hovedhus
C	Håndtak
D	Luftuttak
E	Ikke-klebende brett
F	Stekegryte
G	Tilførselsledning
H	Vindu

KONTROLLPANEL

1	LCD
2	Temperaturvelgerknapper
3	Programvelger
4	Tidsvalgknapper
5	På-knapp
6	Vifteindikator
7	Temperatur/tidsindikatorer
8	Programindikatorer
9	Arbeidsindikator

Hvis modellen til apparatet ditt ikke har tilbehøret beskrevet ovenfor, kan det også kjøpes separat fra teknisk assistanse.

INSTRUKSJONER FOR BRUK

FØR BRUK

- Sørg for at hele produktets emballasje er fjernet.
- Før du bruker produktet for første gang, rengjør delene som kommer i kontakt med maten på den måten som er beskrevet i avsnittet «Rengjøring».

BRUK

- Rull ut strømledningen helt før du kobler den til.
- Koble apparatet til strømmettet.
- Ta gryten forsiktig ut av friturekokeren.
- Merk: manipuler stekepannen med håndtaket. Ikke rør stekepannen når den er varm.
- Ha ingrediensene du vil steke i stekepannen.
- Sett stekepannen inn i friturekokeren og trykk på strømknappen.
- Når gryten er riktig plassert i hovedhuset, vil strømlampen lyse.
- Juster temperaturen og tiden med temperaturvelgeren og tidsvelgerknappene. Standard temperatur og tid er 200°C og 15 minutter. Ellers velger du en av de 8 forhåndsinnstilte modusene ved å trykke på programvelgerknappen.
- Velg strømknappen for å starte tilberedningsprosessen.
- Trykk på av/på-tasten i 3 sekunder for å stoppe hele enheten under tilberedning. "OFF" vil vises på skjermen. "OFF"-teksten på displayet forsvinner, viften slutter å fungere 20 sekunder senere og hele enheten slås av.

TID OG TEMPERATUR

- Hvis du ønsker det, kan du også endre temperatur- og tidsinnstillinger ved hjelp av tids- og temperaturvelger.

FORHÅNDSINNSTILTE PROGRAMMER

- Dette apparatet har 8 forhåndsinnstilte programmer.
- For å velge et program, trykk på programvelgerknappen.
- Ved å velge strømknappen starter tilberedningsprosessen.
- Hvis du ønsker det, kan du også endre temperatur- og tidsinnstillingene for de forhåndsinnstilte programmene ved hjelp av tids- og temperaturvelger.
- Temperaturvelgerknapper lar deg øke eller redusere tilberedningstemperaturen med 5 °C om gangen. Holder du tasten nede, endres temperaturen raskt. Temperaturkontrollknapp 80 °C - 200 °C.

- Tidsvalgknapper lar deg øke eller redusere tilberedningstiden, ett minutt av gangen. Holder du tasten nede, endres tiden raskt.
- Frityrkokeren piper flere ganger når steketiden er over og slår seg av automatisk.
- Sjekk at maten er tilberedt.
- Hvis den ikke er det, må du bare sette beholderen tilbake i frityrkokeren og programmere timeren til å koke i noen minutter til.
- FORSIKTIGHET: Gryte og mat blir veldig VARMT.
- Plasser stekepannen over en jevn overflate som tåler høye temperaturer.
- Noen ingredienser krever risting halvveis i tilberedningstiden. For å riste ingrediensene, trekk stekepannen ut av apparatet i håndtaket og rist den. Skyv deretter stekegryten tilbake i luffrityren.

VINDU

- Dette apparatet har et vindu i stekepannen for å sjekke tilberedningsstatusen under tilberedning.

NÅR DU ER FERDIG MED Å BRUKE APPARATET

- Koble apparatet fra strømmettet.
- La det avkjøles.
- Rengjør apparatet slik det er forklart i avsnittet «Rengjøring».

RENGJØRING

- Koble apparatet fra strømmettet og la det avkjøles før du utfører noen rengjøringsoppgaver.
- Rengjør utstyret med en fuktig klut med noen dråper oppvaskmiddel og tørk det deretter.
- Ikke bruk løsemidler eller produkter med sur eller base pH som blekemiddel eller skuremidler til rengjøring av apparatet.
- Senk aldri apparatet i vann eller annen væske eller plasser det under rennende vann.
- Det anbefales å rengjøre apparatet regelmessig og fjerne all mat som gjenstår.
- Hvis apparatet ikke er i god renholdstilstand, kan overflaten forringes og ubønhørlig påvirke varigheten av apparatets levetid og kan bli usikker å bruke.
- Ingen av delene av dette apparatet er egnet for rengjøring i oppvaskmaskin. De kan vaskes i varmt såpevann.
 - Stekegryte
 - Ikke-klebende brett

TJENESTE

- Eventuelt misbruk eller unnlattelse av å følge bruksanvisningen gjør garantien og produsentens ansvar ugyldig.

ANOMALIER OG REPARASJON

- Ta apparatet til en autorisert teknisk supporttjeneste hvis det oppstår problemer. Ikke prøv å demontere eller reparere uten hjelp, da dette kan være farlig.

GARANTI OG TEKNISK HJELP

Dette produktet nyter godt av anerkjennelsen og beskyttelsen av den juridiske garantien i samsvar med gjeldende lovgivning. For å håndheve dine rettigheter eller interesser, må du gå til noen av våre offisielle tekniske assistansetjenester.

Du finner den nærmeste ved å gå til følgende nettløse: <https://www.blackanddecker.eu/>

Du kan også be om relatert informasjon ved å kontakte oss.

Du kan laste ned denne bruksanvisningen og dens oppdateringer på <https://www.blackanddecker.eu/>

FOR EU-PRODUKTVERSJONER OG/ELLER I TILFELLE DET BLIR BEDT OM I DITT LAND ØKOLOGI OG RESIRKULERBARHET AV PRODUKTET

- Materialene som emballasjen til dette apparatet består av, er inkludert i et innsamlings-, klassifiserings- og resirkuleringssystem. Skulle du ønske å avhende dem, bruk passende offentlige containere for hver type materiale.
- Produktet inneholder ikke konsentrasjoner av stoffer som kan anses som skadelige for miljøet.



Dette symbolet betyr at i tilfelle du ønsker å avhende produktet når arbeidslivet er avsluttet, ta det med til et autorisert avfallsmiddel for selektiv innsamling av elektrisk og elektronisk avfall (WEEE).

- Dette apparatet overholder direktiv 2014/35/EU om lavspenning, direktiv 2014/30/EU om elektromagnetisk kompatibilitet, direktiv 2011/65/EU om restriksjoner i bruk av visse farlige stoffer i elektrisk og elektronisk utstyr og direktiv 2009/125/EF om økodesignkrav for energirelaterte produkter.

Black & Decker® og BLACK+DECKER™ og Black & Decker® og BLACK+DECKER™ logoene er registrerte varemerker for The Black & Decker® Corporation og brukes under lisens. Alle rettigheter forbeholdt. Importert og distribuert av ENGINEERING AND TECHNOLOGY FOR LIFE, SL Avda. Barcelona s/n Oliana, 25790, Spania.

ANBEFALINGSTABELL

• Her finner du vår anbefaling om tid og temperatur for steking av ulike måltider.

Ingredienser	Min-maks beløp (g)	Tid (min)	Temperatur (°C)	Riste	Ekstra informasjon
Frosne pommes frites	400-800	17-25	200	Riste	
Trommestikker	600-800	22-25	180	Riste	
Pizza	600-800	25-30	180		
Fisk	500-800	16-18	180		Snu
Reke	400-800	12-15	180	Riste	
Steak	100-200	16-20	180		Snu
Aubergine	400-600	17-22	160		
Kake	120-250	17	160		

FEILSØKING

Problem	Mulig årsak	Løsning
Airfryeren fungerer ikke.	Apparatet er ikke koblet til.	Sett strømledningen i en jordet stikkontakt.
	Du har ikke stilt inn tidtakeren.	Still inn timertasten til ønsket tilberedningstid for å slå på apparatet.
Maten stekt med AIR FRYER er ikke ferdig.	Mengden ingredienser i stekepannen er for stor.	Legg mindre partier med ingredienser i kurven. Mindre partier stekes jevnere.
	Den innstilte temperaturen er for lav.	Still inn temperaturtasten til ønsket temperaturinnstilling. Se 'Tid og temperatur' i avsnittet «Bruksanvisning».
	Forberedelsestiden er for kort.	Still inn timeren til ønsket forberedelsestid. Se 'Tid og temperatur' i avsnittet «Bruksanvisning».
Ingrediensene stekes ujevnt i airfryeren.	Visse typer ingredienser må ristes halvveis i tilberedningstiden.	Ingredienser som ligger oppå eller på tvers av hverandre (f.eks. pommefrites) må ristes halvveis i tilberedningstiden. Se 'Tid og temperatur' i avsnittet «Bruksanvisning».
Stekt snacks er ikke sprø når de kommer ut av AIR FRYER.	Du brukte en type snacks ment å tilberedes i en tradisjonell friturekoker.	Bruk ovnssnacks eller pensle lett litt olje på snacksene for et sprøere resultat.
Jeg kan ikke skyve stekepannen ordentlig inn i apparatet.	Det er for mange ingredienser i stekepannen.	Ikke fyll stekegryten utover MAX-angivelsen.
	Teppebrettet er ikke plassert riktig i stekepannen.	Skyv non-stick-brettet ned i stekepannen til det ikke kan bevege seg lenger.
Hvit røyk kommer ut fra apparatet.	Du tilbereder fete ingredienser.	Når du steker fete ingredienser i airfryeren, vil det lekke en stor mengde olje ut i kjelen. Oljen produserer hvit røyk, og kjelen kan varmes opp mer enn vanlig. Dette påvirker ikke apparatet eller resultatet.
	Gryten inneholder fortsatt fettrester fra tidligere bruk.	Hvit røyk oppstår ved at fett varmes opp i kjelen. Sørg for å rengjøre stekepannen skikkelig etter hver bruk.
Ferske pommefrites stekes ujevnt i airfryeren.	Du brukte ikke riktig potettype.	Bruk ferske poteter og sørg for at de holder seg faste under steking.
	Du har ikke skylt potetpinnene ordentlig før du stekte dem.	Skyll potetstavene skikkelig for å fjerne stivelse fra utsiden av stengene.
Stekt snacks er ikke sprø når de kommer ut av AIR FRYER.	Fritenes sprøhet avhenger av mengden olje og vann i pommefritesen.	Pass på at du tørker potetpinnene ordentlig før du tilsetter oljen.
		Kutt potetpinnene mindre for et sprøere resultat.
		Tilsett litt mer olje for et sprøere resultat.

LUFTFRYSARE BXAF6500E

Kära kund,

Stort tack för att du valde att köpa en Black+Decker-märkt-sprodukt.

Tack vare dess teknik, utformning och funktion och det faktum att den uppfyller de strängaste kvalitetsnormerna kan man vara säker på att den används på ett tillfredsställande sätt och har en lång livslängd.

SÄKERHETSRÅD OCH VARNINGAR

- Läs igenom dessa anvisningar noggrant innan du sätter igång apparaten och spara dem för framtida bruk. Om du inte följer och iakttar dessa anvisningar kan det leda till en olycka.
- Rengör alla delar av produkten som kommer att komma i kontakt med livsmedel enligt anvisningarna i avsnittet om rengöring före användning.
- Denna apparat kan användas av barn från 8 år och äldre och personer med nedsatt fysisk, sensorisk eller mental förmåga eller bristande erfarenhet och kunskap om de har fått tillsyn eller instruktioner om hur apparaten ska användas på ett säkert sätt och förstår riskerna. Barn får inte leka med apparaten. Rengöring och användarunderhåll får inte utföras av barn om de inte är övervakade.
- Den här apparaten är inte avsedd att användas med hjälp av en extern timer eller ett separat fjärrstyrningssystem.
- Om nätsladden är skadad måste den bytas ut av tillverkaren, dess ser-

vicerepresentant eller liknande kvalificerade personer för att undvika fara.

- Den här apparaten är avsedd att användas i hushåll och liknande tillämpningar som t.ex:

- personalköksutrymmen i butiker, kontor och andra arbetsmiljöer;
- bondgårdar;
- av kunder på hotell, motell och andra bostadsområden;
- Bed and breakfast-miljöer.



FÖRSIKTIGHET, heta ytor.

- Kontrollera att den spänning som anges på märkskylten stämmer överens med nätspänningen innan du kopplar in apparaten.
- Anslut apparaten till ett eluttag på minst 10 ampere.
- Apparatsens stickpropp måste sitta ordentligt i eluttaget. Ändra inte kontakten. Använd inte adapter för stickproppar.
- Använd inte apparaten om nätkabeln eller stickkontakten är skadad.
- Dra inte i nätsladden. Använd aldrig nätkabeln för att lyfta upp, bära eller dra ur apparaten.
- Linda inte nätsladden runt apparaten.
- Kontrollera strömsladdens tillstånd. Om den är skadad ökar risken för elektriska stötar.
- Låt inte anslutningskabeln hänga fritt eller komma i kontakt med apparatens varma ytor.
- Om apparatens hölje går sönder, koppla omedelbart bort apparaten från elnätet för att förhindra risken för en elektrisk stöt.
- Rör inte kontakten med våta händer.
- Endast för inomhusbruk.
- Använd eller förvara inte apparaten utomhus.
- Låt inte apparaten stå ute i regn eller utsättas för fukt. Om vatten tränger in i apparaten ökar risken för elektriska stötar.
- Temperaturen på de tillgängliga ytorna kan vara hög när apparaten används.
- Rör inte vid någon uppvärmd del, eftersom det kan orsaka allvarliga brännskador.

ANVÄND OCH SKÖTSEL

- Dra ut apparatens strömkabel helt före varje användning.
- Använd inte apparaten om delarna eller tillbehören inte är korrekt monterade.
- Använd inte apparaten om tillbehören som sitter på den är defekta. Byt ut dem omedelbart.
- Använd inte apparaten när den är tom.
- Använd inte apparaten om timern inte fungerar som den ska.
- Flytta inte apparaten när den används.
- För att hålla non-stick-behandlingen i gott skick, använd inte metall eller spetsiga redskap på den.
- Överfyll inte apparaten.
- Koppla bort apparaten från elnätet när den inte används och innan du utför någon rengöring.
- Förvara denna apparat utom räckhåll för barn och/eller personer med fysisk, sensorisk eller nedsatt mental eller bristande erfarenhet och kunskap.
- Förvara eller transportera inte apparaten om den fortfarande är varm.
- Lämna aldrig apparaten ansluten och obevakad om den inte används. Detta sparar energi och förlänger apparatens livslängd.
- Använd endast redskap som är lämpliga för höga temperaturer.
- Som referens hittar du i den bifogade tabellen en rekommendation om tillagningstemperatur och tid för flera måltider.

BESKRIVNING

A	Digital kontrollpanel
B	Huvudsakliga hölje
C	Hantera
D	Luftutsläpp
E	Non-stick bricka
F	Stekpanna
G	Försörjningskabel
H	Window

KONTROLLPANEL

1	LCD
2	Knapparna för val av temperatur
3	Programväljare
4	Knapparna för tidsväljare
5	Strömbrytarknappen

6	Indikator för fläkt
7	Indikatorer för temperatur/tid
8	Programindikatorer
9	Indikator för arbete

Om modellen av din apparat inte har de tillbehör som beskrivs ovan, kan de också köpas separat från den tekniska assistansen.

ANVÄNDNINGSPROCEDUR

FÖRE ANVÄNDNING

- Se till att hela produktens förpackning har tagits bort.
- Innan du använder produkten för första gången ska du rengöra de delar som kommer i kontakt med livsmedel på det sätt som beskrivs i avsnittet "Rengöring".

ANVÄNDNING

- Rulla ut kabeln helt innan du ansluter den.
- Anslut apparaten till elnätet.
- Ta försiktigt ut stekpannan ur stekpannan.
- Observera: manipulera stekpannan med stekpannans handtag. Rör inte grytan när den är varm.
- Lägg ingredienserna du vill steka i stekpannan.
- Sätt in stekpannan i fritösen och tryck på strömbrytaren.
- När grytan är korrekt placerad i huvudhöljet tänds strömljuset.
- Justera temperatur och tid med temperaturväljaren och tidsväljaren. Standardtemperatur och -tid är 200°C och 15 minuter. Annars väljer du ett av de 8 förinställda lägena genom att trycka på programväljarknappen.
- Välj strömknappen för att starta tillagningsprocessen.
- Tryck på strömbrytaren i 3 sekunder för att stoppa hela apparaten under tillagningen. "OFF" visas på skärmen. Texten "OFF" på displayen försvinner, fläkten stannar 20 sekunder senare och hela apparaten stängs av.

INSTÄLLNING AV TID OCH TEMPERATUR

- Om du vill kan du också ändra temperatur- och tidsinställningarna med hjälp av tids- och temperaturväljarna.

FÖRINSTÄLLDA PROGRAM

- Denna apparat har 8 förinställda program.
- För att välja ett program trycker du på programväljarknappen.
- När du väljer strömknappen startar tillagningsprocessen.
- Om du vill kan du också ändra temperatur- och tidsinställningarna för de förinställda programmen med hjälp av motsvarande ikoner.

- Med temperaturväljarknapparna kan du öka eller minska tillagningstemperaturen med 5 °C i taget. Om du håller in tangenten intryckt ändras temperaturen snabbt. Knapp för temperaturkontroll 80 °C - 200 °C.
- Med tidsknapparna kan du öka eller minska tillagnings-tiden, en minut i taget. Om du håller in tangenten intryckt ändras tiden snabbt.
- Fritösen piper flera gånger när tillagningstiden är slut och stängs av automatiskt.
- Kontrollera att maten är tillagad.
- Om den inte är det, behöver du bara sätta tillbaka be-hållaren i fritösen och programmera timern för att tillaga ytterligare några minuter.
- **WARNING:** Gryta och mat kommer att bli väldigt VARMT.
- Placera stekpannan på en slät yta som tål höga temper-aturer.
- Vissa ingredienser måste skakas efter halva tillrednings-tiden. Om du vill skaka ingredienserna drar du ut stekpan-nan ur apparaten i handtaget och skakar den. Sätt sedan tillbaka stekpannan i fritösen.

WINDOW

- Denna apparat har ett fönster i stekpannan för att kontrol-lera tillagningsstatusen under tillagningen.

NÄR DU HAR SLUTAT ANVÄNDA APPARATEN

- Koppla bort apparaten från elnätet.
- Låt den svalna.
- Rengör apparaten på det sätt som beskrivs i avsnittet "Rengöring".

RENGÖRING

- Koppla bort apparaten från elnätet och låt den svalna innan du utför någon rengöring.
- Rengör utrustningen med en fuktig trasa med några droppar diskmedel och torka den sedan.
- Använd inte lösningsmedel eller produkter med ett surt eller bas-pH-värde som blekmedel eller slipmedel för att rengöra apparaten.
- Sänk aldrig ner apparaten i vatten eller annan vätska och placera den aldrig under rinnande vatten.
- Det är tillrådligt att rengöra apparaten regelbundet och ta bort all mat som finns kvar.
- Om apparaten inte är i gott skick vad gäller renhet kan dess yta försämrats och obönhörligt påverka apparatens livslängd och kan bli osäker att använda.
- Ingen av apparatens delar kan rengöras i diskmaskin. De kan tvättas i varmt tvålsvatten.
 - Stekpanna
 - Non-stick bricka

SERVICE

- Vid felaktig användning eller underlåtenhet att följa bruk-sanvisningarna upphör garantin och tillverkarens ansvar att gälla.

AVVIKELSER OCH REPARATION

- Ta med apparaten till en auktoriserad teknisk support-tjänst om problem uppstår. Försök inte demontera eller reparera utan hjälp, eftersom det kan vara farligt.

GARANTI OCH TEKNISKT STÖD

Denna produkt åtnjuter erkännande och skydd av den lagliga garantin i enlighet med gällande lagstiftning. För att upprätthålla dina rättigheter eller intressen måste du gå till någon av våra officiella tekniska assistanstjänster.

Du kan hitta den närmaste genom att gå in på följande länk: <https://www.blackanddecker.eu/>

Du kan också begära relaterad information genom att kontakta oss.

Du kan ladda ner denna bruksanvisning och dess uppdateringar på <https://www.blackanddecker.eu/>.

FÖR PRODUKTVERSIONER INOM EU OCH/ELLER OM DET KRÄVS I DITT LAND PRODUKTENS EKOLOGI OCH ÅTERVINNINGSBARHET.

- De material som förpackningen till denna apparat består av ingår i ett system för insamling, klassificering och återvinning. Om du vill göra dig av med dem ska du använda lämpliga offentliga behållare för varje typ av material.
- Produkten innehåller inga koncentrationer av ämnen som kan anses vara skadliga för miljön.



Denna symbol innebär att om du vill göra dig av med produkten när dess livslängd är slut, ska du lämna den till en auktoriserad avfallshanterings-firma för selektiv insamling av avfall av elektrisk och elektronisk utrustning (WEEE).

- Den här apparaten uppfyller kraven i direktiv 2014/35/EU om lågspänning, direktiv 2014/30/EU om elektromagnetisk kompatibilitet, direktiv 2011/65/EU om begränsning av användningen av vissa farliga ämnen i elektriska och elektroniska produkter och direktiv 2009/125/EG om krav på ekodesign för energirelaterade produkter.

Black & Decker® och BLACK+DECKER™ och Black & Decker® och BLACK+DECKER™ logotyperna är registrerade varumärken som tillhör The Black & Decker® Corporation och används under licens. Alla rättigheter förbehållna. Importerad och distribuerad av ENGINEERING AND TECHNOLOGY FOR LIFE, SL Avda. Barcelona s/n Oliana, 25790, Spain

REKOMMENDATIONSTABELL

- Här hittar du vår rekommendation om tid och temperatur för stekning av olika måltider.

Ingredienser	Min-max Mängd (g)	Tid (min)	Temperatur (°C)	Skaka	Extra information
Frysta pommes frites	400-800	17-25	200	Skaka	
Trumpinnar	600-800	22-25	180	Skaka	
Pizza	600-800	25-30	180		
Fisk	500-800	16-18	180		Vänd dig om
Räkor	400-800	12-15	180	Skaka	
Biff	100-200	16-20	180		Vänd dig om
Aubergine	400-600	17-22	160		
Tårta	120-250	17	160		

FELSÖKNING

Problem	Möjlig orsak	Lösning
Fritösen fungerar inte.	Apparaten är inte ansluten.	Sätt in sladdkontakten i ett jordat vägguttag.
	Du har inte ställt in timern.	Ställ in timernyckeln på önskad förberedelse-tid för att slå på apparaten.
De ingredienser som steks i luftfrysaren är inte färdiga.	Mängden ingredienser i korgen är för stor.	Lägg mindre partier av ingredienser i korgen. Mindre partier steks jämnare.
	Den inställda temperaturen är för låg.	Ställ in temperaturnyckeln på önskad temperaturinställning. Se "Tid och temperatur" i avsnittet "Bruksanvisning".
	Förberedelse-tiden är för kort.	Ställ in timern på önskad tillagningstid. Se "Tid och temperatur" i avsnittet "Bruksanvisning".
Ingredienserna steks ojämnt i luftfrysaren.	Vissa typer av ingredienser måste skakas halvvägs genom tillagningstiden.	Ingredienser som ligger ovanpå eller över varandra (t.ex. pommes frites) måste skakas halvvägs under tillagningstiden. Se "Tid och temperatur" i avsnittet "Bruksanvisning".
Friterade snacks är inte krispiga när de kommer ut ur AIR FRYER.	Du har använt en typ av snacks som är avsedda att tillagas i en traditionell fritös.	Använd snacks från ugnen eller pensla lite olja på dem för att få ett krispigare resultat.
Jag kan inte skjuta in kastrullen ordentligt i apparaten.	Det finns för många ingredienser i stekpannan.	Fyll inte stekpannan över MAX-angivelsen.
	Den anti-stickiga brickan är inte placerad i stekpannan på rätt sätt.	Pressa ner den anti-stickiga brickan i stekpannan tills den inte kan flyttas längre.
Vit rök kommer ut från apparaten.	Du förbereder feta ingredienser.	När du steker feta ingredienser i luftfrysaren läcker en stor mängd olja ut i grytan. Oljan ger upphov till vit rök och grytan kan hetta upp mer än vanligt. Detta påverkar inte apparaten eller resultatet.
	Grytan innehåller fortfarande fettrester från tidigare användning.	Vit rök orsakas av att fett värms upp i grytan. Se till att du rengör pannan ordentligt efter varje användning.
Färska pommes frites steks ojämnt i luftfrysaren.	Du använde inte rätt potatis-sort.	Använd färsk potatis och se till att den håller sig fast under stekningen.
	Du sköljde inte potatisstängerna ordentligt innan du stekte dem.	Skölj potatisstängerna ordentligt för att ta bort stärkelsen från stängernas utsida.
Friterade snacks är inte krispiga när de kommer ut ur AIR FRYER.	Hur krispiga pommes fritesen blir beror på mängden olja och vatten i pommes fritesen.	Se till att du torkar potatisstängerna ordentligt innan du tillsätter oljan.
		Skär potatisstängerna mindre för att få ett krispigare resultat.
		Tillsätt lite mer olja för ett krispigare resultat.

PAISTINPANNU BXAF6500E

Hyvä asiakas,

Kiitokset siitä, että olet valinnut Black+Decker-merkituotteen.

Teknologian, suunnittelun ja toiminnan ansiosta sekä sen ansiosta, että se ylittää tiukimmat laatuvaatimukset, voidaan taata täysin tyydyttävä käyttö ja pitkä käyttöikä.

TURVALLISUUSOHJEET JA VAROITUKSET

- Lue nämä ohjeet huolellisesti ennen laitteen käynnistämistä ja säilytä ne myöhempää käyttöä varten. Näiden ohjeiden noudattamatta jättäminen ja noudattamatta jättäminen voi johtaa onnettomuuteen.
- Puhdista kaikki tuotteen osat, jotka joutuvat kosketuksiin elintarvikkeiden kanssa, ennen käyttöä, kuten kohdassa Puhdistus kerrotaan.
- Tätä laitetta voivat käyttää vähintään 8-vuotiaat lapset ja henkilöt, joilla on heikentyneet fyysiset, sensoriset tai henkiset kyvyt tai joilla ei ole riittävästi kokemusta tai tietoa, jos heitä on valvottu tai opastettu laitteen turvallisuudessa käytössä ja jos he ymmärtävät siihen liittyvät vaarat. Lapset eivät saa leikkiä laitteella. Lapset eivät saa suorittaa puhdistusta ja käyttäjien huoltoa, elleivät he ole valvonnassa.
- Tätä laitetta ei ole tarkoitettu käytettäväksi ulkoisen ajastimen tai erillisen kauko-ohjausjärjestelmän avulla.
- Jos virtajohto on vaurioitunut, valmistajan, sen huoltoedustajan tai vas-

taavan pätevyden omaavan henkilön on vaihdettava se vaaran välttämiseksi.

- Tämä laite on tarkoitettu käytettäväksi kotitalouksissa ja vastaavissa sovelluksissa, kuten:

- henkilökunnan keittiötilat kaupoissa, toimistoissa ja muissa työympäristöissä;
- maalaistalot;
- asiakkaat hotelleissa, motelleissa ja muissa asuinympäristöissä;
- bed and breakfast -tyyppisissä ympäristöissä.



VAROITUS, kuumat pinnat.

- Varmista, että arvokilvessä ilmoitettu jännite vastaa verkkojännitettä ennen laitteen kytkemistä.
- Kytke laite pistorasiaan, jonka nimellisarvo on vähintään 10 ampeeria.
- Laitteen pistokkeen on sovittava kunnolla pistorasiaan. Älä muuta pistoketta. Älä käytä pistokesovittimia.
- Älä käytä laitetta, jos syöttöjohto tai pistoke on vaurioitunut.
- Älä vedä syöttöjohdosta. Älä koskaan käytä virtajohtoa laitteen nostamiseen, kantamiseen tai irrottamiseen.
- Älä kierrä virtajohtoa laitteen ympärille.
- Tarkista syöttöjohdon kunto. Jos se on vaurioitunut, se lisää sähköiskun vaaraa.
- Älä anna liitäntäkaapelin roikkua vapaasti tai joutua kosketuksiin laitteen kuumien pintojen kanssa.
- Jos laitteen kotelo rikkoutuu, irrota laite välittömästi sähköverkosta sähköiskun välttämiseksi.
- Älä koske pistokkeeseen märin käsin.
- Vain sisäkäyttöön.
- Älä käytä tai säilytä laitetta ulkona.
- Älä jätä laitetta ulos sateeseen tai alltiiksi kosteudelle. Jos laitteeseen pääsee vettä, se lisää sähköiskun vaaraa.
- Käyttökelpoisten pintojen lämpötila voi olla korkea, kun laite on käytössä.
- Älä koske mihinkään kuumennettuun osaan, sillä se voi aiheuttaa vakavia palovammoja.

KÄYTTÖ JA HOITO

- Pidennä laitteen virtajohto kokonaan ennen jokaista käyttöä.
- Älä käytä laitetta, jos osia tai lisävarusteita ei ole asennettu oikein.
- Älä käytä laitetta, jos siihen kiinnitetyt lisävarusteet ovat viallisia. Vaihda ne välittömästi.
- Älä käytä laitetta tyhjänä.
- Älä käytä laitetta, jos ajastinkytkin ei toimi oikein.
- Älä siirrä laitetta käytön aikana.
- Jotta tarttumaton käsittely pysyy hyvässä kunnossa, älä käytä siinä metallisia tai teräviä astioita.
- Älä täytä laitetta liikaa.
- Irrota laite sähköverkosta, kun sitä ei käytetä ja ennen puhdistustöitä.
- Säilytä tätä laitetta poissa lasten ja/tai sellaisten henkilöiden ulottuvilta, joilla on fyysinen, sensorinen tai alentunut henkinen tai joilla ei ole kokemusta ja tietoa.
- Älä säilytä tai kuljeta laitetta, jos se on vielä kuuma.
- Älä koskaan jätä laitetta kytkettynä ja ilman valvontaa, jos se ei ole käytössä. Tämä säästää energiaa ja pidentää laitteen käyttöikää.
- Käytä vain korkeita lämpötiloja tukevia astioita.
- Viitteenä liitteenä olevasta taulukosta löydät suosituksen useiden aterioiden kypsennyslämpötilasta ja -ajasta.

KUVAUS

- | | |
|---|----------------------------|
| A | Digitaalinen ohjauspaneeli |
| B | Pääkotelo |
| C | Kahva |
| D | Ilman ulostulo |
| E | Tarttumaton tarjotin |
| F | Paistinpannu |
| G | Syöttöjohto |
| H | Ikkuna |

OHJAUSPANEELI

- | | |
|---|------------------------------|
| 1 | LCD |
| 2 | Lämpötilan valintapainikkeet |
| 3 | Ohjelmanvalitsin |
| 4 | Ajanvalintapainikkeet |
| 5 | Virtapainike |
| 6 | Tuulettimen merkkivalo |
| 7 | Lämpötilan/ajan ilmaisimet |

- | | |
|---|-----------------------|
| 8 | Ohjelman indikaattori |
| 9 | Työn indikaattori |

Jos laitteesi mallissa ei ole yllä kuvattuja lisävarusteita, voit ostaa ne myös erikseen teknisestä tuesta.

KÄYTTÖOHJEET

ENNEN KÄYTTÖÄ

- Varmista, että tuotteen koko pakkaus on poistettu.
- Ennen tuotteen ensimmäistä käyttökertaa puhdista osat, jotka joutuvat kosketuksiin elintarvikkeiden kanssa, kohdassa "Puhdistus" kuvatulla tavalla.

KÄYTTÄÄ

- Rullaa kaapeli auki kokonaan ennen kuin liität sen.
- Kytke laite verkkovirtaan.
- Ota paistinpannu varovasti pois paistinpannusta.
- Huomautus: manipuloi paistinpannua paistinpannun kahvasta. Älä koske paistinpannuun, kun se on kuuma.
- Laita paistettavat ainekset paistinpannuun.
- Aseta paistinpannu paistinpannun sisään ja paina virtapainiketta.
- Kun kattila on asetettu kunnolla pääkoteloon, virran merkkivalo syttyy.
- Säädä lämpötilaa ja aikaa lämpötilanvalitsimen ja ajanvalitsimen painikkeilla. Oletuslämpötila ja -aika ovat 200 °C ja 15 minuuttia. Muussa tapauksessa valitse jokin 8 esiasetetusta tilasta painamalla ohjelmanvalitsimen painiketta.
- Aloita kypsennysprosessi valitsemalla virtapainike.
- Paina virtanäppäintä 3 sekunnin ajan pysäyttääksesi koko laitteen kypsennyksen ajaksi. "OFF" näkyy näytössä. Näytön OFF-teksti häviää, tuuletin lakkaa toimimasta 20 sekunnin kuluttua ja koko laite kytkeytyy pois päältä.

AJAN JA LÄMPÖTILAN ASETUS

- Halutessasi voit myös muuttaa lämpötila- ja aika-asetuksia ajan ja lämpötilan valitsimilla.

ESIASETETUT OHJELMAT

- Tässä laitteessa on 8 esiasetettua ohjelmaa.
- Valitse ohjelma painamalla ohjelmanvalintapainiketta.
- Kypsennysprosessi käynnistyy valitsemalla virtapainike.
- Halutessasi voit myös muuttaa esiasetettujen ohjelmien lämpötila- ja aika-asetuksia käyttämällä vastaavia kuvakkeita.
- Lämpötilan valintapainikkeilla voit nostaa tai laskea kypsennyslämpötilaa 5 °C:lla kerrallaan. Jos pidät näp-

päintä alhaalla, lämpötila muuttuu nopeasti. Lämpötilan säätöpainike 80 °C - 200 °C.

- Ajanvalintapainikkeilla voit lisätä tai vähentää kypsennyssaikaa minuutti kerrallaan. Kun pidät näppäintä alhaalla, aika muuttuu nopeasti.
- Paistinpannu piippaa useita kertoja, kun kypsennysaika on päättynyt, ja sammuu automaattisesti.
- Tarkista, että ruoka on kypsää.
- Jos näin ei ole, sinun tarvitsee vain laittaa astia takaisin rasvakeittimeen ja ohjelmoida ajastin kypsentämään vielä muutaman minuutin ajan.
- VAROITUS: Pannu ja ruoka ovat erittäin KUUMIA.
- Aseta paistinpannu tasaiselle pinnalle, joka kestää korkeita lämpötiloja.
- Joitakin ainesosia on ravistettava valmistuksen puoli välissä. Kun haluat ravistaa ainekset, vedä paistinpannu kahvasta ulos laitteesta ja ravista sitä. Liu'uta sitten paistinpannu takaisin ilmakäristimeen.

IKKUNA

- Tässä laitteessa on paistinpannussa ikkuna, josta voit tarkistaa kypsennyksen tilan kypsennyksen aikana.

KUN OLET LOPETTANUT LAITTEEN KÄYTÖN

- Irrota laite sähköverkosta.
- Anna sen jäähtyä.
- Puhdista laite kohdassa "Puhdistus" selostetulla tavalla.

PUHDISTUS

- Irrota laite verkkovirrasta ja anna sen jäähtyä ennen kuin ryhdyt puhdistamaan mitään.
- Puhdista laite kostealla liinalla, johon on lisätty muutama tippa astianpesuainetta, ja kuivaa se sitten.
- Älä käytä laitteen puhdistamiseen liuottimia tai tuotteita, joiden pH on hapan tai emäs, kuten valkaisuainetta tai hankaavia tuotteita.
- Älä koskaan upota laitetta veteen tai muuhun nesteeseen tai aseta sitä juoksevan veden alle.
- On suositeltavaa puhdistaa laite säännöllisesti ja poistaa kaikki jäljellä olevat elintarvikkeet.
- Jos laite ei ole hyvässä puhtauskunnossa, sen pinta voi huonontua ja vaikuttaa väistämättä laitteen käyttöikään ja siitä voi tulla vaarallista käyttöä.
- Kumpikaan tämän laitteen osista ei sovellu puhdistettavaksi astianpesukoneessa. Ne voidaan pestä kuumalla saippuavedellä.

- Paistinpannu
- Tarttumaton tarjotin

PALVELU

- Väärinkäyttö tai käyttöohjeiden noudattamatta jättäminen mitätöi takuun ja valmistajan vastuun.

POIKKEAMAT JA KORJAUS

- Vie laite valtuutettuun tekniseen tukipalveluun, jos ongelmia ilmenee. Älä yritä purkaa tai korjata laitetta ilman apua, sillä se voi olla vaarallista.

TAKUU JA TEKNINEN APU

Tämä tuote nauttii voimassa olevan lainsäädännön mukaisen lakisääteisen takuun tunnustusta ja suojaa. Jos haluat valvoa oikeuksiasi tai etujasi, sinun on käännyttävä minkä tahansa virallisen teknisen avun palvelumme puoleen.

Löydät lähimmän löytöpaikan seuraavasta linkistä: <https://www.blackanddecker.eu/>.

Voit myös pyytää lisätietoja ottamalla meihin yhteyttä.

Voit ladata tämän käyttöohjeen ja sen päivitykset osoitteesta <https://www.blackanddecker.eu/>.

EU:N TUOTEVERSIOIDEN OSALTA JA/TAI SIINÄ TAPAUKSESSA, ETTÄ SITÄ PYYDETÄÄN MAASSASI TUOTTEEN EKOLOGISUUS JA KIERRÄTETTÄVYYS

- Materiaalit, joista tämän laitteen pakkaus koostuu, kuuluvat keräys-, luokitus- ja kierrätysjärjestelmään. Jos haluat hävittää ne, käytä kullekin materiaalityypille sopivia julkisia säiliöitä.
- Tuote ei sisällä pitoisuuksia aineita, joita voitaisiin pitää ympäristölle haitallisina.



Tämä symboli tarkoittaa, että jos haluat hävittää tuotteen sen käyttöiän päätyttyä, vie se valtuutetulle sähkö- ja elektroniikkalaiteromun (WEEE) valikoivaan keräykseen.

- Tämä laite on pienjännitdirektiivin 2014/35/EU, sähkömagneettista yhteensopivuutta koskevan direktiivin 2014/30/EU, tiettyjen vaarallisten aineiden käytön rajoittamisesta sähkö- ja elektroniikkalaitteissa annetun direktiivin 2011/65/EU ja energiaan liittyvien tuotteiden ekologiselle suunnittelulle asetettavista vaatimuksista annetun direktiivin 2009/125/EY mukainen.

Black & Decker® ja BLACK+DECKER™ sekä Black & Decker®- ja BLACK+DECKER™-logot ovat The Black & Decker® Corporationin rekisteröityjä tavaramerkkejä, ja niitä käytetään lisenenssillä. Kaikki oikeudet pidätetään. Tuojana ja jakelijana ENGINEERING AND TECHNOLOGY FOR LIFE, S.L. Avda. Barcelona s/n Oliana, 25790, Spain

SUOSITUSTAULUKKO

- Täältä löydät suosituksemme eri ruokien paistamisajasta ja -lämpötilasta.

Ainesosat	Min-max Määrä (g)	Aika (min)	Lämpötila (°C)	Ravista	Lisätietoja
Pakastetut ranskalaiset perunat	400-800	17-25	200	Ravista	
Koivet	600-800	22-25	180	Ravista	
Pizza	600-800	25-30	180		
Kala	500-800	16-18	180		Käännä ympäri
Shrimp	400-800	12-15	180	Ravista	
Pihvi	100-200	16-20	180		Käännä ympäri
Munakoiso	400-600	17-22	160		
Kakku	120-250	17	160		

ONGELMIEN KARTTOITTAMINEN

Ongelma	Mahdollinen syy	Ratkaisu
AIR FRYER ei toimi.	Laitetta ei ole kytketty pistorasiaan.	Laita virtajohdon pistoke maadoitettuun pistorasiaan.
	Et ole asettanut ajastinta.	Aseta ajastimen näppäin haluttuun valmistusaikaan laitteen kytkemiseksi päälle.
Ilmankeittimessä paistetut ainekset eivät ole valmiita.	Ainesosien määrä korissa on liian suuri.	Laita koriin pienempiä eriä ainesosia. Pi-enemmät erät paistetaan tasaisemmin.
	Asetettu lämpötila on liian alhainen.	Aseta lämpötilanäppäin haluttuun lämpötila-asetukseen. Katso "Aika ja lämpötila" kohdasta "Käyttöohjeet".
	Valmistelu-aika on liian lyhyt.	Aseta ajastin haluttuun valmistusaikaan. Katso "Aika ja lämpötila" kohdasta "Käyttöohjeet".
Ainekset paistuvat epätasaisesti ilmakäritimessä.	Tietyntyyppisiä ainesosia on ravistettava puolivälissä valmistusaikaa.	Toistensa päällä tai vastakkain olevia aineksia (esim. ranskalaisia) on ravistettava puolivälissä valmistusaikaa. Katso "Aika ja lämpötila" kohdasta "Käyttöohjeet".
Paistetut välipalat eivät ole rapeita, kun ne tulevat ulos AIR FRYERISTA.	Käytit perinteisessä friteeraus-koneessa valmistettavaksi tarkoitettua välipalatyyppejä.	Käytä uunivälipaloja tai sivele kevyesti öljyä välipalojen päälle, jotta lopputulos olisi rapeampi.
En voi liu'uttaa pannua kunnolla laitteeseen.	Paistinpannussa on liikaa aineksia.	Älä täytä paistinpannua MAX-merkintää suuremmaksi.
	Tarttumaton alustaa ei ole asetettu paistinpannuun oikein.	Työnnä tarttumaton alusta alaspäin paistinpannuun, kunnes se ei enää pääse liikkumaan.
Laitteesta tulee valkoista savua.	Valmistat rasvaisia ainesosia.	Kun paistat rasvaisia aineksia ilmakeittimessä, suuri määrä öljyä vuotaa kattilaan. Öljy tuottaa valkoista savua, ja kattila saattaa kuumentua tavallista enemmän. Tämä ei vaikuta laitteeseen tai tulokseen.
	Astiassa on vielä rasvajäämiä aikaisemmasta käytöstä.	Valkoista savua aiheuttaa kattilassa lämpenevä rasva. Varmista, että puhdistat pannun kunnolla jokaisen käyttökerran jälkeen.
Tuoreet ranskalaiset paistetaan epätasaisesti ilmakeittimessä.	Et käyttänyt oikeaa perunatyyppejä.	Käytä tuoreita perunoita ja varmista, että ne pysyvät kiinteinä paistamisen aikana.
	Et huuhtonut perunatikkuja kunnolla ennen niiden paistamista.	Huuhtelee perunatikut kunnolla, jotta tarkkelys saadaan poistettua tikkujen ulkopuolelta.
Paistetut välipalat eivät ole rapeita, kun ne tulevat ulos AIR FRYERISTA.	Ranskalaisten rapeus riippuu öljyn ja veden määrästä.	Varmista, että kuivatut perunatikut kunnolla ennen öljyn lisäämistä.
		Leikkaa perunatikut pienemmiksi, jotta lopputulos olisi rapeampi.
		Lisää hieman enemmän öljyä, jos haluat rapeamman lopputuloksen.

HAVADA KIZARTMA BXAF6500E

Sayın müşterimiz,

Black+Decker marka bir ürün satın almayı tercih ettiğiniz için çok teşekkürler.

Teknolojisi, tasarımı ve çalışması ve en katı kalite standartlarını aşması sayesinde tamamen tatmin edici bir kullanım ve uzun ürün ömrü sağlanabilir.

GÜVENLİK ÖNERİLERİ VE UYARILAR

- Cihazı çalıştırmadan önce bu talimatları dikkatlice okuyun ve ileride başvurmak üzere saklayın. Bu talimatlara uyulmaması ve bunlara uyulmaması bir kazaya neden olabilir.
- Kullanmadan önce ürünün gıda ile temas edecek tüm parçalarını temizlik bölümünde belirttiği gibi temizleyin.
- Bu cihaz, güvenliklerinden sorumlu bir kişi tarafından gözetim altında tutulmadıkları veya cihazla ilgili talimat verilmediği sürece, fiziksel, duyuusal veya zihinsel yetenekleri sınırlı olan veya deneyim ve bilgi eksikliği olan kişiler (çocuklar dahil) tarafından kullanılmak üzere tasarlanmamıştır.
- Çocuklar, cihazla oynamadıklarından emin olmak için gözetim altında tutulmalıdır.
- Bu cihaz, harici bir zamanlayıcı veya ayrı bir uzaktan kumanda sistemi aracılığıyla çalıştırılmak üzere tasarlanmamıştır.
- Besleme kablosu hasar görürse, bir tehlikeyi önlemek için üretici, servis

temsilcisi veya benzer şekilde kalifiye kişiler tarafından değiştirilmelidir.

- Bu cihaz ev tipi ve benzeri uygulamalarda kullanılmak üzere tasarlanmıştır:

- mağazalardaki, ofislerdeki ve diğer çalışma ortamlarındaki personel mutfak alanları;
- çiftlik evleri;
- otellerde, motellerde ve diğer konut tipi ortamlarda müşteriler tarafından;
- yatak ve kahvaltı tipi ortamlar.



DİKKAT, Sıcak Yüzeyler.

- Cihazın fişini prize takmadan önce, etiket üzerinde belirtilen voltajın şebeke voltajına uygun olduğundan emin olun.
- Cihazı en az 10 amperlik bir elektrik prizine bağlayın.
- Cihazın fişi elektrik prizine düzgün bir şekilde oturmalıdır. Fiş üzerinde değişiklik yapmayın. Fiş adaptörleri kullanmayın.
- Elektrik kablosu veya fişi hasarlıysa cihazı kullanmayın.
- Besleme kablosunu çekmeyin. Güç kablosunu asla cihazı kaldırmak, taşımak veya fişini çekmek için kullanmayın.
- Güç kablosunu cihazın etrafına sarmayın.
- Besleme kablosunun durumunu kontrol edin. Hasar görürse, elektrik çarpması riski artacaktır.
- Elektrik kablosunun serbestçe sarkmasına veya cihazın sıcak yüzeyleriyle temas etmesine izin vermeyin.
- Cihaz muhafazalarından herhangi biri kırılırsa, elektrik çarpması olasılığını önlemek için cihazın elektrik bağlantısını derhal kesin.
- Fişe ıslak elle dokunmayın.
- Sadece iç mekan kullanımı içindir.
- Cihazı açık havada kullanmayın veya saklamayın.
- Cihazı yağmur altında veya neme maruz bırakmayın. Cihazın içine su girerse, bu elektrik çarpması riskini artıracaktır.
- Cihaz kullanımdayken erişilebilir yüzeylerin sıcaklığı yüksek olabilir.
- Ciddi yanıklara neden olabileceğinden, ısıtılmış herhangi bir parçaya dokunmayın.

KULLANIM VE BAKIM

- Her kullanımdan önce cihazın besleme kablosunu tamamen uzatın.
- Parçalar veya aksesuarlar doğru şekilde takılmamışsa cihazı kullanmayın.
- Takılı aksesuarlar arızalıysa cihazı kullanmayın. Hemen değiştirin.
- Cihazı boşken kullanmayınız.
- Zamanlayıcı anahtarı düzgün çalışmıyorsa cihazı kullanmayın.
- Kullanım sırasında cihazı hareket ettirmeyin.
- Yapışmaz işlemi iyi durumda tutmak için metal veya sivri uçlu aletler kullanmayın.
- Cihazı aşırı doldurmayın.
- Cihazı kullanmadığınızda ve temizlemeden önce elektrik bağlantısını kesin.
- Bu cihazı çocukların ve/veya fiziksel, duyuusal veya zihinsel engelli veya deneyim ve bilgi eksikliği olan kişilerin erişemeyeceği bir yerde saklayın.
- Cihazı hala sıcakken saklamayın veya taşımayın.
- Kullanılmıyorsa, cihazı asla bağlı ve gözetimsiz bırakmayın. Bu enerji tasarrufu sağlar ve cihazın ömrünü uzatır.
- Yalnızca yüksek sıcaklıkları desteklemek için uygun kapları kullanın.
- Referans olarak, ekteki tabloda çeşitli yemekler için pişirme sıcaklığı ve süresine ilişkin bir öneri bulacaksınız.

TANIM

A	Dijital kontrol paneli
B	Ana gövde
C	Tutamak
D	Hava çıkışı
E	Yapışmaz tepsi
F	Kızartma Tenceresi
G	besleme kablosu
H	Window

KONTROL PANELİ

1	LCD
2	Sıcaklık seçme düğmeleri
3	program seçici
4	Zaman seçme düğmeleri
5	Güç düğmesi
6	fan göstergesi

7	Sıcaklık/zaman göstergeleri
8	Program göstergeleri
9	çalışma göstergesi

Eğer cihazınızın modeli yukarıda belirtilen aksesuarlara sahip değilse Teknik Servisten ayrı olarak da satın alınabilir.

KULLANIM TALIMATLARI

KULLANMADAN ÖNCE

- Ürünün tüm ambalajının çıkarıldığından emin olun.
- Ürünü ilk kez kullanmadan önce, gıda ile temas edecek parçaları "Temizlik" bölümünde açıklanan şekilde temizleyin.

KULLAN

- Fişi prize takmadan önce besleme kablosunu tamamen açın.
- Cihazı şebekeye bağlayın.
- Kızartma kabını dikkatlice fritözden çıkarın.
- Not: Tutamağı kullanarak kızartma kabını hareket ettirin. Kızartma kabına sıcakken dokunmayın.
- Kızartmak istediğiniz malzemeleri tencereye alın.
- Kızartma kabını fritözün içine yerleştirin ve güç düğmesine basın.
- Tencere ana gövdeye düzgün bir şekilde yerleştirildiğinde, güç ışığı yanacaktır.
- Sıcaklık seçme ve süre seçme düğmelerini kullanarak sıcaklığı ve zamanı ayarlayın. Varsayılan sıcaklık ve süre 200°C ve 15 dakikadır. Aksi takdirde, program seçme düğmesine basarak önceden ayarlanmış 8 moddan birini seçin.
- Pişirme işlemini başlatmak için güç düğmesini seçin.
- Pişirme sırasında tüm cihazı durdurmak için güç tuşuna 3 saniye basın. Ekran "KAPALI" görünecektir. Ekrandaki "OFF" yazısı kaybolur, 20 saniye sonra fan durur ve tüm cihaz kapanır.

ZAMAN VE SICAKLIK

- Dilerseniz zaman ve sıcaklık selettörlerini kullanarak sıcaklık ve zaman ayarlarını da değiştirebilirsiniz.

ÖNCE DEN AYARLANMIŞ PROGRAMLAR

- Bu cihazda önceden ayarlanmış 8 program vardır.
- Bir program seçmek için program seçme düğmesine basın.
- Güç düğmesinin seçilmesi pişirme işlemini başlatacaktır.

- Dilerseniz ön ayarlı programların sıcaklık ve zaman ayarlarını zaman ve sıcaklık selektörlerini kullanarak da değiştirebilirsiniz.
- Sıcaklık seçim butonları, pişirme sıcaklığını tek seferde 5 °C artırmayı veya azaltmayı sağlar. Tuşu basılı tutmak, sıcaklığı hızla değiştirir. Sıcaklık Kontrol aralığı: 80 °C - 200 °C.
- Zaman seçim düğmeleri, pişirme süresini her seferinde bir dakika artırmayı veya azaltmayı sağlar. Tuşu basılı tutmak, zamanı hızla değiştirecektir.
- Pişirme süresi bittiğinde fritöz birkaç kez bip sesi çıkarmaya ve otomatik olarak kapanacaktır.
- Yiyeceklerin pişip pişmediğini kontrol edin.
- Eğer değilse, kabı tekrar fritöze koymanız ve Zamanlayıcıyı birkaç dakika daha pişirmesi için programlamayı yeterlidir.
- DİKKAT: Tencere ve yemek çok sıcak olacak.
- Kızartma kabını yüksek sıcaklıklarda çalışabilecek düz bir yüzeye yerleştirin.
- Bazı malzemelerin hazırlama süresinin yarısında çalkalanması gerekir. Malzemeleri sallamak için, kızartma kabını sapından tutarak cihazdan çıkarın ve sallayın. Ardından kızartma kabını hava fritözüne geri kaydırın.

WINDOW

- Bu cihaz, pişirme sırasında pişirme durumunu kontrol etmek için kızartma tenceresinde bir pencereye sahiptir.

CIHAZI KULLANMAYI BITIRDİKTEN SONRA

- Cihazın fişini prizden çekin.
- Soğumasına izin verin.
- Cihazı "Temizlik" bölümünde açıklandığı gibi temizleyin.

TEMİZLİK

- Herhangi bir temizlik işlemine başlamadan önce cihazın elektrik bağlantısını kesin ve soğumasını bekleyin.
- Ekipmanı nemli bir bezle birkaç damla bulaşık deterjanı ile temizleyin ve ardından kurulayın.
- Cihazı temizlemek için ağartıcı veya aşındırıcı ürünler gibi asit veya baz pH değerine sahip solventler veya ürünler kullanmayın.
- Cihazı kesinlikle suya veya başka bir sıvıya batırmayın veya akan suyun altına koymayın.
- Cihazı düzenli olarak temizlemeniz ve yiyecek artıklarını temizlemeniz önerilir.
- Cihaz temizlik açısından iyi durumda değilse, yüzeyi bozulabilir ve cihazın kullanım ömrünü kaçınılmaz olarak etkileyebilir ve kullanımı güvensiz hale gelebilir.

- Bu cihazın hiçbir parçası bulaşık makinesinde yıkanmaya uygun değildir. Sıcak sabunlu suda yıkanabilirler.

- Kızartma kabı
- Yapışmaz tepsi

HİZMET

- Herhangi bir yanlış kullanım veya kullanım talimatlarına uyulmaması, garantiyi ve üreticinin sorumluluğunu geçersiz ve geçersiz hale getirmektedir.

ANOMALİLER VE ONARIM

- Sorun çıkması durumunda cihazı yetkili teknik servise götürün. Yardım almadan sökmeye veya onarmaya çalışmayın, çünkü bu tehlikeli olabilir.

GARANTİ VE TEKNİK YARDIM

Bu ürün, yürürlükteki mevzuata göre yasal garantinin tanınmasına ve korunmasına sahiptir. Haklarınızı veya çıkarlarınızı uygulamak için resmi teknik yardım hizmetlerimizden herhangi birine gitmelisiniz.

Aşağıdaki web bağlantısına erişerek size en yakın olanı bulabilirsiniz: <https://www.blackanddecker.eu/>

Ayrıca bizimle iletişime geçerek ilgili bilgileri talep edebilirsiniz.

Bu kullanım kılavuzunu ve güncellemelerini <https://www.blackanddecker.eu/> adresinden indirebilirsiniz.

AB ÜRÜN SÜRÜMLERİ VE/VEYA ÜLKENİZDE TALEP EDİLMESİ DURUMUNDA ÜRÜNÜN EKOLOJİSİ VE GERİ DÖNÜŞTÜRÜLEBİLİRLİĞİ

- Bu cihazın ambalajının içerdiği malzemeler bir toplama, sınıflandırma ve geri dönüşüm sistemine dahildir. Bunları bertaraf etmek isterseniz, her bir malzeme türü için uygun kamu konteynerlerini kullanın.
- Ürün, çevreye zararlı olduğu düşünülebilecek konsantrasyonlarda madde içermez.



Bu sembol, ürünün çalışma ömrü sona erdikten sonra elden çıkarmak isterseniz, atık elektrikli ve elektronik ekipmanların (WEEE) seçici olarak toplanması için yetkili bir atık maddesine götürmeniz anlamına gelir.

- Bu cihaz, 2014/35/EU Alçak Gerilim Direktifi, Elektromanyetik Uyumluluk Direktifi 2014/30/EU, elektrikli ve elektronik cihazlarda belirli tehlikeli maddelerin kullanımının kısıtlamaları hakkında 2011/65/EU Direktifi ve enerji ile ilgili ürünler için ekotasarım gereksinimleri hakkında 2009/125/EC Direktifi ile uyumludur.

Black & Decker® ve BLACK+DECKER™ ile Black & Decker® ve BLACK+DECKER™ logoları, The Black & Decker® Corporation'ın tescilli ticari markalarıdır ve lisans altında kullanılmaktadır. Tüm hakları saklıdır. ENGINEERING AND TECHNOLOGY FOR LIFE, SL tarafından ithal edilmiş ve dağıtılmıştır. Avda. Barcelona s/n Oliana, 25790, İspanya.

ÖNERİ TABLOSU

- Burada farklı yemekleri kızartmak için zaman ve sıcaklık önerilerimizi bulabilirsiniz.

İçindekiler	Min-maks Miktar (g)	Zaman (dakika)	Sıcaklık (°C)	Salla	Ek bilgi
Dondurulmuş patates kızartması	400-800	17-25	200	Salla	
Bagetler	600-800	22-25	180	Salla	
Pizza	600-800	25-30	180		
Balık	500-800	16-18	180		Arkanı dön
Karides	400-800	12-15	180	Salla	
Biftek	100-200	16-20	180		Arkanı dön
Patlıcan	400-600	17-22	160		
Kek	120-250	17	160		

SORUN GIDERME

Problem	Muhtemel neden	Çözüm
Fırın çalışmıyor.	Cihazın fişi prize takılı değil.	Güç kablosunun fişini topraklı bir duvar prizine takın.
	Zamanlayıcıyı ayarlamadınız.	Cihazı açmak için zamanlayıcı anahtarını gerekli hazırlama süresine ayarlayın.
Hava fritözünü ile kızartılan malzemeler pişmez.	Kızartma tenceresindeki malzemelerin miktarı çok fazla.	Sepete daha küçük partiler halinde malzemeler koyun. Daha küçük partiler daha eşit şekilde kızartılır.
	Ayarlanan sıcaklık çok düşük.	Sıcaklık anahtarını gerekli sıcaklık ayarına getirin. «Kullanım talimatları» bölümündeki 'Saat ve sıcaklık' konusuna bakın.
	Hazırlık süresi çok kısa.	Zamanlayıcıyı gerekli hazırlık süresine ayarlayın. «Kullanım talimatları» bölümündeki 'Saat ve sıcaklık' konusuna bakın.
Malzemeler fritözde eşit olmayan bir şekilde kızartılır.	Bazı malzeme türlerinin hazırlama süresinin yarısında çalkalanması gerekir.	Üst üste veya karşılıklı duran malzemeler (örneğin patates kızartması) hazırlama süresinin yarısında çalkalanmalıdır. «Kullanım talimatları» bölümündeki 'Saat ve sıcaklık' konusuna bakın.
Kızarmış atıştırmalıklar AIR FRYER'dan çıktıklarında çıtır çıtır olmazlar.	Geleneksel bir fritözde hazırlanması gereken bir tür atıştırmalık kullandınız.	Daha gevrek bir sonuç için fırın atıştırmalıkları kullanın veya atıştırmalıkların üzerine hafifçe yağ sürün.
Kızartma kabını cihazın içine düzgün bir şekilde kaydıramıyorum.	Kızartma tenceresinde çok fazla malzeme var.	Kızartma kabını MAX göstergesinin ötesinde doldurmayın.
	Yapışmaz tepsi kızartma kabına doğru yerleştirilmemiş.	Yapışmaz tepsiyi daha fazla hareket edemeye kadar kızartma tenceresine doğru itin.
Cihazdan beyaz duman çıkıyor.	Yağlı malzemeler hazırlıyorsunuz.	Yağlı malzemeleri fritözde kızarttığınızda, tencereye büyük miktarda yağ sızacaktır. Yağ beyaz duman çıkarır ve tencere normalden daha fazla ısınabilir. Bu, cihazı veya nihai sonucu etkilemez.
	Tencere hala önceki kullanımdan kalma yağ kalıntıları içermektedir.	Beyaz duman tencerede ısınan yağdan kaynaklanır. Kızartma kabını her kullanımdan sonra düzgün bir şekilde temizlediğinizden emin olun.
Taze patates kızartmaları fritözde eşit olmayan bir şekilde kızartılır.	Doğru patates türünü kullanmadınız.	Taze patates kullanın ve kızartma sırasında sert kaldıklarından emin olun.
	Patates çubuklarını kızartmadan önce iyice durulamamışsınız.	Patates çubuklarının dışındaki nişastayı temizlemek için çubukları iyice durulayın.
Kızarmış atıştırmalıklar AIR FRYER'dan çıktıklarında çıtır çıtır olmazlar.	Kızartmaların gevrekliği kızartmalardaki yağ ve su miktarına bağlıdır.	Yağı eklemeyen önce patates çubuklarını iyice kurutduğunuzdan emin olun.
		Daha gevrek bir sonuç için patates çubuklarını daha küçük kesin.
		Daha gevrek bir sonuç için biraz daha yağ ekleyin.

פתרון תקלות

בעיה	סיבה אפשרית	פתרון
ה- AIR FRYER אינו פועל.	המכשיר אינו מחובר לחשמל.	הכנס את תקע כבל החשמל לשקע מוארק בקיה.
	לא הגדרת את הטיימר.	הגדר את מקש הטיימר לזמן ההכנה הנדרש להפעלת המכשיר.
החומרים המטוגנים עם הטיגון האוויר אינם מוכנים.	כמות החומרים בסיר הטיגון גדולה מדי.	שים קבוצות קטנות יותר של מרכיבים בסל. קבוצות קטנות יותר מטוגנות בצורה שווה יותר.
	הטמפרטורה שנקבעה נמוכה מדי.	הגדר את מקש הטמפרטורה להגדרת הטמפרטורה הנדרשת. ראה "זמן וטמפרטורה" בסעיף "הוראות שימוש".
	זמן ההכנה קצר מדי.	הגדר את הטיימר לזמן ההכנה הנדרש. ראה "זמן וטמפרטורה" בסעיף "הוראות שימוש".
החומרים מטוגנים בצורה לא אחידה בטיגון האוויר.	סוגים מסוימים של מרכיבים יש לנער באמצע זמן ההכנה.	יש לנער את החומרים המונחים זה על גבי או לרוחב זה (למשל צ'יפס) באמצע זמן ההכנה. ראה "זמן וטמפרטורה" בסעיף "הוראות שימוש".
חטיפים מטוגנים אינם פריכים כשהם יוצאים מה- AIR FRYER.	השתמשת בסוג של חטיף שנועד להכנה בטיגון עמוק מסורתי.	השתמש בחטיפי תנור או להבריש קלות מעט שמן על החטיפים לקבלת תוצאה פריכה יותר.
אני לא יכול להחליק את סיר הטיגון לתוך המכשיר כראוי.	יש יותר מדי מרכיבים בסיר הטיגון.	אין למלא את סיר הטיגון מעבר לחווית MAX.
	מגש הטפלון לא הונח בסיר הטיגון בצורה נכונה.	דחוף את מגש הטפלון למטה לתוך סיר הטיגון עד שהוא לא יכול לזוז יותר.
עשן לבן יוצא מהמכשיר.	אתה מכין מרכיבים שמנוניים.	כאשר מטגנים מרכיבים שומניים בטיגון האוויר, כמות גדולה של שמן תדלוף לסיר. השמן מייצר עשן לבן, והסיר עלול להתחמם יותר מהרגיל. זה לא משפיע על המכשיר או על התוצאה.
	הסיר עדיין מכיל שאריות שומן משימוש קודם.	עשן לבן נגרם על ידי חימום שומן בסיר. הקפידו לנקות את סיר הטיגון כראוי לאחר כל שימוש.
צ'יפס טרי מטוגן בצורה לא אחידה בטיגון האוויר.	לא השתמשת בסוג תפוח האדמה הנכון.	השתמשו בתפוחי אדמה טריים וודאו שהם יישארו יציבים במהלך הטיגון.
	לא שטפתם את מקלות תפוחי האדמה כמו שצריך לפני שטיגתם אותם.	שוטפים את מקלות תפוחי האדמה כראוי כדי להסיר עמילן מבחוץ של המקלות.
חטיפים מטוגנים אינם פריכים כשהם יוצאים מה- AIR FRYER.	פריכות הצ'יפס תלויה בכמות השמן והמים שבצ'יפס.	הקפידו לייבש היטב את מקלות תפוחי האדמה לפני הוספת השמן.
		חותכים את מקלות תפוחי האדמה קטנים יותר לקבלת תוצאה פריכה יותר.
		מוסיפים מעט יותר שמן לקבלת תוצאה פריכה יותר.

טבלת המלצות

- כאן תוכלו למצוא את המלצתנו על הזמן והטמפרטורה לטיגון ארוחות שונות.

מידע נוסף	לנער	טמפרטורה (C°)	זמן (דקות)	כמות מינימלית מקסימלית (ג)	רכיבים
	לנער	200	17-25	400-800	צ'יפס קפוא
	לנער	180	22-25	600-800	מקלות תיפוף
		180	25-30	600-800	פיצה
תסתובב		180	16-18	500-800	דג
	לנער	180	12-15	400-800	Shrimp
תסתובב		180	16-20	100-200	סטייק
		160	17-22	400-600	חציל
		160	17	120-250	עוגה

סמל זה אומר שבמקרה שתמצאו להשליך את המוצר לאחר שחיי העבודה שלו הסתיימו, קח אותו לסוכן פסולת מורשה לאיסוף סלקטיבי של פסולת ציוד חשמלי ואלקטרוני (WEEE).



- תן לזה להתקרה.
- נקה את המכשיר כפי שמוסבר בסעיף "ניקוי".

ניקוי

- מכשיר זה תואם להנחיה EU/2014/35 בנושא מתח נמוך, הנחיה EU/2014/30 בנושא תאימות אלקטרומגנטית, הנחיה EU/2011/65 בנושא הגבלות השימוש בחומרים מסוכנים מסוימים בציוד חשמלי ואלקטרוני והנחיה EC/2009/125 בנושא דרישות העיצוב האקולוגי למוצרים הקשורים לאנרגיה.

Black & Decker *Black+Decker™ והלוגו של Black & Decker *Black+Decker™ הם סימנים מסחריים רשומים של The Black & Decker Corporation ונמצאים בשימוש תחת רישיון. כל הזכויות שמורות. מיובא ומופץ על ידי ENGINEERING AND TECHNOLOGY FOR LIFE, SL Avda. Barcelona s/n Oliana, 25790, Spain

- נקה את המכשיר מהחשמל ואפשר לו להתקרר לפני ביצוע כל משימת ניקוי.
- נקו את הציוד במטלית לחה עם כמה טיפות נוזל כביסה ואיבשו אותו.
- אין להשתמש במימיסים, או במוצרים עם חומצה או pH בסיס כגון אקונומיקה, או מוצרים שוחקים, לניקוי המכשיר.
- לעולם אל תשקע את המכשיר במים או בנוזל אחר או הנח אותו מתחת למים זורמים.
- רצוי לנקות את המכשיר באופן קבוע ולהסיר כל מזון שנותר.
- אם המכשיר אינו במצב טוב של ניקיון, פני השטח שלו עלולים להשפיל ולהשפיע ללא הרף על משך חיי השימוש של המכשיר ועלולים להיות לא בטוחים לשימוש.
- אף אחד מהחלקים של מכשיר זה אינו מתאים לניקוי במדיח כלים. ניתן לשטוף אותם במי סבון חמים.

- סיר טיגון
- מגש טפולון

שירות

- כל שימוש לרעה או אי ציות להוראות השימוש הופך את האחריות ואת אחריות היצרן לבטלה ומבוטלת.

חריגות ותיקון

- קח את המכשיר לשירות תמיכה טכנית מורשה אם מתעוררות בעיות. אל תנסה לפרק או לחקן ללא סיוע, שכן זה עלול להיות מסוכן.

אחריות וסיוע טכני

מוצר זה נהנה מהכרה והגנה של הערבות המשפטית בהתאם לחקיקה הנוכחית. כדי לאכוף את הזכויות או האינטרסים שלך, עליך ללכת לכל אחד משירותי הסיוע הטכני הרשמיים שלנו.

אתה יכול למצוא את הקרוב ביותר על ידי גישה לקישור האינטרנט הבא: <https://www.blackanddecker.eu>

אתה יכול גם לבקש מידע קשור על ידי יצירת קשר.

אתה יכול להוריד מדריך הוראות זה ואת העדכונים שלו בכתובת <https://www.blackanddecker.eu>

עבור גרסאות מוצר של האיחוד האירופי ו/או במקרה שהוא מתבקש במדינתך אקולוגיה ומיחזור של המוצר

- החומרים מהם מורכבת האריזה של מכשיר זה כלולים במערכת איסוף, סיווג ומחזור אם ברצונך להיפטר מהם, השתמש במיכלים הציבוריים המתאימים לכל סוג של חומה.
- המוצר אינו מכיל ריכוזים של חומרים העלולים להיחשב כמוזיקים לסביבה.

- אחסן מכשיר זה מחוץ להישג ידם של ילדים ו/או אנשים עם פיזי, חושי או מופחת נפשי או חוסר ניסיון וידע.
- אין לאחסן או להעביר את המכשיר אם הוא עדיין חם.
- לעולם אל תשאיר את המכשיר מחובר וללא השגחה אם הוא אינו בשימוש. זה חוסך באנרגיה ומאריך את חיי המכשיר.
- השתמש רק בכלי המתאים לתמיכה בטמפרטורות גבוהות.
- כהפניה, בטבלה שסופחה תמצאו המלצה על טמפרטורת הבישול וזמן למספר ארוחות.

תיאור

A	לוח בקרה דיגיטלי
B	דיוור ראשי
C	ידיה
D	שקע אוויר
E	מגש טפלון
F	סיר טיגון
G	כבל אספקה
H	Window

לוח בקרה

1	LCD
2	לחצני בורר טמפרטורה
3	בורר תוכניות
4	לחצני בורר זמן
5	כפתור הפעלה
6	מחווני מאוורר
7	מחווני טמפרטורה/זמן
8	מדדי תוכנית
9	מחווני עבודה

אם לדגם המכשיר שלך אין את האביזרים המתוארים לעיל, ניתן לרכוש אותם גם בנפרד משרות הסיוע הטכני.

הוראות לשימוש

לפני השימוש

- ודא שכל האריזה של המוצר הוסרה.
- לפני השימוש במוצר בפעם הראשונה, נקה את החלקים שיבואו במגע עם מזון באופן המתואר בסעיף "ניקוי".

להשתמש

- פרקו את הכבל לחלוטין לפני שתחבר אותו.
- חבר את המכשיר לרשת החשמל.
- מוציאים בהירות את סיר הטיגון מהטיגון.

- הערה: תפעלו בסיר הטיגון באמצעות ידיה סיר הטיגון. אל תיגע בסיר הטיגון כשהוא חם.
- הכניסו את החומרים שאתם רוצים לטגן בתוך הסיר.
- הכניסו את סיר הטיגון לתוך הטיגון ולחץ על כפתור ההפעלה.
- לאחר שהסיר מונח כראוי בבית הראשי, נורית ההפעלה תידלק.
- כוונן את הטמפרטורה והזמן באמצעות לחצני בורר הטמפרטורה ובורר הזמן. הטמפרטורה והזמן המוגדרים כברירת מחדל הם 200°C ו-15 דקות. אחרת, בחר אחד מ-8 המצבים הקבועים מראש על ידי לחיצה על לחצן בורר התוכנית.
- בחר את לחצן ההפעלה כדי להתחיל את תהליך הבישול.
- לחץ על מקש ההפעלה למשך 3 שניות כדי לעצור את המכשיר כולו במהלך הבישול. "OFF" יופיע על המסך. הטקסט "OFF" בתצוגה נעלם, המאוורר מפסיק לעבוד כעבור 20 שניות והמכשיר כבה כולו.

זמן וטמפרטורה

- אם תרצה, תוכל גם לשנות את הגדרות הטמפרטורה והזמן באמצעות בוררי זמן וטמפרטורה.

תוכניות מוגדרות מראש

- מכשיר זה כולל 8 תוכניות מוגדרות מראש.
- לבחירת תוכנית, לחץ על לחצן בורר התוכנית.
- בחירה בלחצן ההפעלה תתחיל את תהליך הבישול.
- אם תרצה, תוכל גם לשנות את הגדרות הטמפרטורה והזמן עבור התוכניות המוגדרות מראש באמצעות בוררי זמן וטמפרטורה.
- לחצני בורר הטמפרטורה מאפשרים לך להגדיל או להקטין את טמפרטורת הבישול ב-5 מעלות צלזיוס בכל פעם. שמירה על המקש לחוץ חשנה במהירות את הטמפרטורה. כפתור בקרת טמפרטורה 80 °C - 200 °C.
- לחצני בורר הזמן מאפשרים לך להגדיל או להקטין את זמן הבישול, דקה אחת בכל פעם. שמירה על המקש לחוץ חשנה במהירות את הזמן.
- הטיגון יצפץ מספר פעמים עם סיום זמן הבישול ויכבה אוטומטית.

- בדוק כדי לראות את האוכל מבושל.
- אם זה לא, אתה רק צריך להחזיר את המיכל לטיגון ולתכנת את הטיימר לבשל עוד כמה דקות.
- יְהִירוּת: סיר ואוכל יהיה חם מאוד.
- מניחים את סיר הטיגון על משטח רגיל המסוגל לעבוד עם טמפרטורות גבוהות.

- חלק מהמרכיבים זורשים ניעור באמצע זמן ההכנה. כדי לנער את החומרים, משוך את סיר הטיגון מהמכשיר בידיה ונער אותו. לאחר מכן החליקו את סיר הטיגון בחזרה לטיגון האוויר.

WINDOW

- למכשיר זה יש חלון בסיר הטיגון לבדיקת מצב הבישול במהלך הבישול.

לאחר שתסיים להשתמש במכשיר

- נקח את המכשיר מהחשמל.

הטיגון אוויר BXAF6500E

- על ידי לקוחות בבתי מלון, מוטלים
ובסביבות מגורים אחרות;
- סביבות מסוג לינה וארוחת בוקר.



זהירות, משטחים חמים.

- ודא שהמתח המצוין בתווית הדירוג תואם למתח החשמל לפני חיבור המכשיר.
- חבר את המכשיר לשקע חשמל בעל עוצמה של 10 אמפר לפחות.
- התקע של המכשיר חייב להתאים לשקע החשמל כראוי. אל תשנה את התקע. אין להשתמש במתאמי תקע.
- אל תשתמש במכשיר אם כבל החשמל או התקע פגומים.
- אל תמשוך בכבל החשמל. לעולם אין להשתמש בכבל החשמל כדי להרים, לשאת או לנתק את המכשיר.
- אין לעטוף את כבל החשמל סביב המכשיר.
- בדוק את מצב כבל החשמל. אם הוא ניזוק, זה יגדיל את הסיכון להתחשמלות.
- אל תאפשר לכבל החיבור לחלות בחופשיות או לבוא במגע עם המשטחים החמים של המכשיר.
- אם מתחם המכשיר נשבר, נתק מיד את המכשיר מהחשמל כדי למנוע אפשרות של התחשמלות.
- אין לגעת בתקע בידיים רטובות.
- לשימוש פנימי בלבד.
- אין להשתמש או לאחסן את המכשיר בחוץ.
- אין להשאיר את המכשיר בחוץ בגשם או חשוף ללחות. אם מים נכנסים למכשיר, זה יגדיל את הסיכון להתחשמלות.
- הטמפרטורה של המשטחים הנגישים עשויה להיות גבוהה כאשר המכשיר נמצא בשימוש.
- אל תיגע בחלק מחומם, מכיוון שהדבר עלול לגרום לכוויות חמורות.

שימוש וטיפול

- הארך את כבל החשמל של המכשיר במלואו לפני כל שימוש.
- אל תשתמש במכשיר אם החלקים או האביזרים אינם מותאמים כהלכה.
- אל תשתמש במכשיר אם האביזרים המחוברים אליו פגומים. החלף אותם מיד.
- אין להשתמש במכשיר כשהוא ריק.
- אל תשתמש במכשיר אם מתג הטיימר אינו פועל כהלכה.
- אין להזיז את המכשיר בזמן השימוש.
- כדי לשמור על טיפול שאינו מקל במצב טוב, אין להשתמש מתכת או כלי הצביע על זה.
- אל תמלא יתר על המידה את המכשיר.
- נתק את המכשיר מהחשמל כאשר אינו בשימוש ולפני הניקוי.

לקוח יקר,

תודה רבה על הבחירה ברכישת מוצר של המותג Black+Decker. הודות לטכנולוגיה, העיצוב והתפעול שלה והעובדה שהיא עולה על תקני האיכות המחמירים ביותר, ניתן להבטיח שימוש משיביע רצון לחלוטין וחיי מוצר ארוכים.

עצות ואזהרות בטיחות

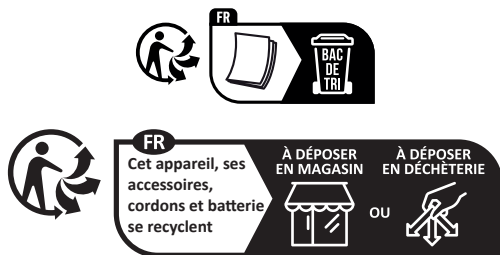
- **אנא קרא הוראות אלה בעיון לפני הפעלת המכשיר ושמור אותן לעיון עתידי.**
אי ציות להוראות אלה והקפדה עליהן עלול להוביל לתאונה.
- **נקו את כל חלקי המוצר שיגיעו במגע עם מזון, כפי שמצוין בסעיף הניקוי, לפני השימוש.**
- **מכשיר זה אינו מיועד לשימוש על ידי אנשים (כולל ילדים) עם יכולות פיזיות, חושיות או נפשיות מופחתות או חוסר ניסיון וידע, אלא אם כן הם קיבלו פיקוח או הדרכה בנוגע למכשיר על ידי אדם האחראי לבטיחותם.**
- **ילדים צריכים להיות תחת השגחה כדי לוודא שהם לא משחקים עם המכשיר.**
- **מכשיר זה אינו מיועד להפעלה באמצעות טיימר חיצוני או מערכת שלט רחוק נפרדת.**
- **אם כבל האספקה פגום, יש להחליפו על ידי היצרן, סוכן השירות שלו או אנשים מוסמכים באופן דומה על מנת למנוע סכנה.**
- **מכשיר זה מיועד לשימוש ביישומים ביתיים ודומים כגון:**
 - צוות אזורי מטבח בחנויות, משרדים וסביבות עבודה אחרות;
 - בית חווה;

België/Belgique/ Luxembourg	Stanley Black & Decker Belgium BVBA Egide Walschaertsstraat 16 2800 Mechelen	www.blackanddecker.be enduser.BE@SBDinc.com Tel - NL. +32 15 47 37 65 Tel - FR. +32 15 47 37 66 Fax. +32 15 47 37 99
Bulgaria	Stanley Black&Decker Polska Bucharest Branch Phoenicia Business Center Turtulelor Street, No 11A, 6th Floor,Module 15, 3rd District. Bucharest (Romania)	office.bucharest@sbdinc.com Tel. +4021.320.61.04.
Česká Republika	Stanley Black & Decker Czech Republic s.r.o. Chodov Tůrkova 2319/5b 149 00 Praha 4 Česká Republika	www.blackanddecker.cz recepce@blackanddecker.cz Tel: 261 009 782
Danmark	Black & Decker Roskildevej 22 2620 Albertslund	www.blackanddecker.dk kundeservice.dk@sbdinc.com Tel. 70 20 15 10 Fax. 70 22 49 10
Deutschland	Stanley Black & Decker Deutschland GmbH Black & Decker Str. 40, D - 65510 Idstein	www.blackanddecker.de infobfge@sbdinc.com Tel. 06126 21-0 Fax 06126 21-2980
Ελλάδα	Black & Decker ΕΛΛΑΣ ΕΔΡΑ-ΓΡΑΦΕΙΑ : Στράβωνος 7 & Λ. Βουλιαγμένης, 166 74 Γλυφάδα - Αθήνα SERVICE : Ημερος Τόπος 2 (Χάνι Αδάμ) - 193 00 Ασπρόπυργος	www.blackanddecker.gr Greece.Service@sbdinc.com Τηλ: 210-8981616 Φαξ: 210-8983570 Τηλ Service: 210-8985208 Φαξ: 210-5597598
España	Engineering and Technology for Life Spain Avenida Barcelona s/n 25790 Oliana (Lleida)	www.blackanddecker.es service.spain@etforlife.com
France	Engineering and Technology for Life France 6 rue de l'Industrie Z.I des Sablons 89100 Sens	www.blackanddecker.fr service.france@etforlife.com
Helvetia	ROFO AG Gewerbezone Seeblick 3213 Kleinbödingen	www.blackanddecker.ch service@rofoag.ch Tel. 026 674 93 93 Fax 026 674 93 94
Hungary	Stanley Black & Decker Hungary Kft. Meszaros u. 58/B 1016 Budapest (Hungary)	www.blackanddecker.hu Tel: 1.6 225-1661 / 62
Italia	Stanley Black & Decker Italia Via Energypark 6 c/o Energypark Building 3 sud 20871 Vimercate (MB)	www.blackanddecker.it service.italia@SBDinc.com Tel. 039-9590200 Fax 039-9590313 Numero verde. 800-213935
Nederland	Stanley Black & Decker Netherlands BV Holtum Noordweg 35 6121 RE BORN Postbus 83. 6120 AB BORN	www.blackanddecker.nl enduser.NL@SBDinc.com Tel. +31 164 283 065 Fax +31 164 283 200

Norge	Black & Decker Postboks 4613, Nydalen, 0405 Oslo	www.blackanddecker.no kundeservice.no@sbdinc.com
Österreich	Stanley Black & Decker Austria GmbH Oberlaaerstraße 248, A-1230 Wien	www.blackanddecker.at service.austria@sbdinc.com Tel. 01 66116-0 Fax 01 66116-614
Polska	Stanley Black & Decker Polska SP.z.o.o ul. Postepu 21D 02-676 Warszawa Polska	www.blackanddecker.pl reception.warsaw@sbdinc.com Tel: 22 4642700
Portugal	Engineering and Technology for Life Portugal Avenida Rainha D. Amélia, nº12-B 1600-677 Lisboa	www.blackanddecker.pt service.portugal@etforlife.com
Romania	Stanley Black&Decker Polska Bucharest Branch Phoenicia Business Center Turturelelor Street, No 11A, 6th Floor,Module 15, 3rd District. Bucharest (Romania)	office.bucharest@sbdinc.com Tel. +4021.320.61.04.
Slovenija	G-M&M, Trgovina d.o.o. Cesta dr. Jožeta Pučnika 10, 1290 Grosuplje (Slovenija)	+386(0)1 78 66 552 nabava@g-mm.si
Suomi	Black & Decker PL 47, 00521 Helsinki	www.blackanddecker.fi asiakaspalvelu.fi@sbdinc.com
Sverige	Black & Decker AB Box 94, 431 22 Mölndal	www.blackanddecker.se kundservice.se@sbdinc.com
Türkiye	KALE Hirdavat ve Makina A.Ş. Defterdar Mah. Savaklar Cad. No: 15 Edimekapi / Eyüp / Istanbul 34050	www.blackanddecker.com.tr Tel. 0212 533 52 55 Fax. 0212 533 10 05
United Kingdom & Republic Of Ireland	Black & Decker Slough, Berkshire SL1 4DX 270 Bath Road "	www.blackanddecker.co.uk emeaservice@sbdinc.com Tel. 01753 511234 Fax. 01753 512365
Middle East & Africa	Black & Decker P.O.Box - 17164 Jebel Ali Free Zone (South), Dubai, UAE	www.blackanddecker.ae service.mea@sbdinc.com Tel. +971 4 8863030 Fax. +971 4 8863333



ENGINEERING AND TECHNOLOGY FOR LIFE, S.L.
Avda. Barcelona s/n, Oliana, 25790, Spain
www.blackanddecker.eu



Points de collecte sur www.quefairedemesdechets.fr