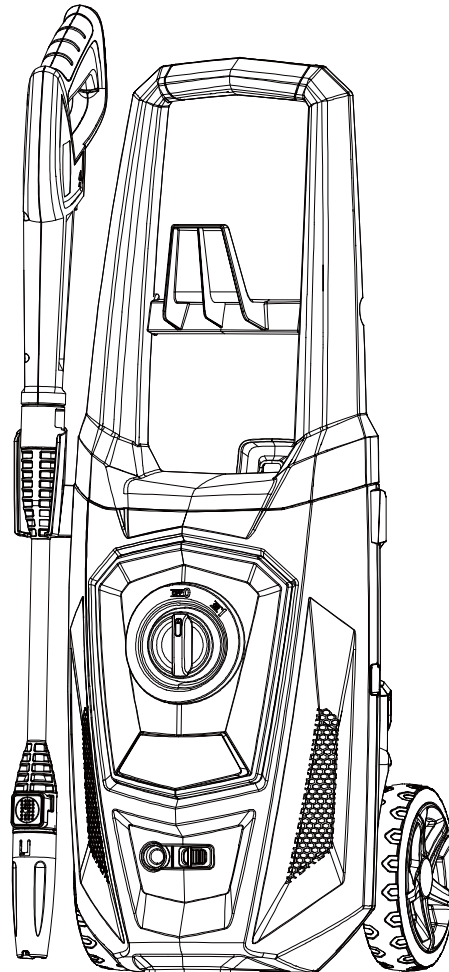




IN221100538V03_UK

845-866V70_845-866V71



High Pressure Washer



IMPORTANT, RETAIN FOR FUTURE REFERENCE: READ CAREFULLY

User Manual

IMPORTANT SAFETY INSTRUCTIONS

SAVE THESE INSTRUCTIONS



Please read and comply with these original instructions prior to the initial operation of your appliance and store them for later use or subsequent owners.

Warnings and notes that are attached on the appliance provide important notes for the safe operation.

Hazard levels

DANGER

Pointer to immediate danger, if not avoided, which leads to severe injuries or death.

WARNING

Pointer to a possibly dangerous situation, if not avoided, which can lead to severe injuries or death.

CAUTION

Pointer to a possibly dangerous situation, if not avoided, which can lead to minor injuries.

ATTENTION

Pointer to a possibly dangerous situation, which can lead to property damage.

Electric components

DANGER

Risk of electric shock.

Never touch the mains plug and the socket with wet hands.

Check the power cord with mains Plug for damage prior to every use. Do not use the machine if a supply cord or important parts of the machine are damaged, e.g. safety devices, high pressure hoses, trigger gun.

All current-conducting parts in the working area must be protected against jet water.

The mains plug and the coupling of an extension cable must be watertight and must never lie in water. Moreover, the coupling may never lie on the ground. The Using cable reels that ensure the sockets are at least 60 mm above the ground is recommended.

Make sure that the power cord or extension cable is not damaged by running over, pinching, dragging or the like. Protect the power cords from heat, oil, and sharp edges.

Always switch off the mains disconnecting switch when leaving the appliance unattended.

WARNING

The appliance may only be connected to an electric supply that has been installed by an electrician in accordance with IEC 60364.

The appliance may only be connected to alternate current. The voltage must correspond with the type plate of the appliance.

For safety reasons, we recommend that you operate the appliance only via a residual current device (max. 30mA).

An unsuitable electrical extension cable can be hazardous. Only use an electrical

extension cable which has been approved and labeled for this purpose and has an adequate cable cross-section outdoors: 1 - 10 m: 1.5 mm²; 10 - 30 m: 2.5 mm².

Always fully unreel the extension cable from the cable drum.

An unsuitable electrical extension cable can be hazardous.

Safe handling

DANGER

The user must be the appliance as intended. The person must consider the local conditions and must pay attention to other persons in the vicinity when working with the appliance.

Check important components, such as high pressure hose, hand spray gun and safety installations, for damage prior to every operation. Immediately replace damaged components. Do not operate appliance with damaged components.

The appliance has been designed for use with the cleaning agent supplied or recommended by the manufacturer. The use of the other cleaning agents or chemicals may adversely affect the safety of the appliance.

High-pressure jets can be dangerous if subject to misuse. The jet must not be directed at persons, live electrical equipment or the machine itself.

Do not direct the jet against yourself or others in order to clean clothes or foot-wear.

Do not use the appliance within range of persons unless they wear protective clothing.

Wear appropriate Personnel Protection Equipment (PPE) while operating the appliance.

Do not direct the jet against yourself or others in order to clean clothes or foot-wear.

WARNING

The appliance must not be operated by children or untrained personnel.

This appliance is not intended for use by persons (including children) with reduced physical, sensory or mental capacities, or lacking experience and knowledge.

Children must not play with this appliance.

Supervise children to prevent them from playing with the appliance.

Create stability for the appliance prior to any work on or with the appliance to prevent accidents damage.

The water jet that is emitted from the high pressure nozzle results in a repulsion power acting on the hand spray gun. Make sure that you have a firm footing and are also holding the hand spray gun and spray lance firmly.

Never leave the appliance unattended as long as it is in operation.

ATTENTION

In case of extended breaks, switch the appliance off at the main switch or pull the mains plug.

Do not operate the appliance at temperatures below 0°C

Other risks

DANGER

The appliance may not be operate in explosive atmospheres.

Risk of explosion! Do not spray flammable liquids.

Never draw in fluids containing solvents or undiluted acids and solvents! This includes petrol, paint thinner and heating oil. The spray mist is highly inflammable, explosive and poisonous. Do not use acetone, undiluted acids and solvents, as they corrode the materials used on the appliance.

Never use the product with inflammable or toxic liquids, or liquids with characteristics

incompatible with its proper operation.

Keep packaging films away from children, there is a risk of suffocation!

WARNING

According to applicable regulations, the appliance must never be used on the drinking water net without a system separator. Ensure that the connection of your building water installation on which the high pressure cleaner is operated is equipped with a system separator pursuant

Water that has flown through backflow preventers is considered to be non-potable.

High-pressure hoses, fittings and couplings are important for the safety of the appliance. Only use high-pressure hoses, fittings and couplings recommended by the manufacturer.

To ensure applicable safety, use only original spare parts from the manufacturer or approved by the manufacturer.

Switch the product off and disconnect it from the power supply removing the power plug from the socket outlet before assembly, cleaning ,adjustments, maintenance, storage and transportation or converting the product to another function.

CAUTION

Mind the weight of the appliance when selecting the storage location and during transport to prevent accidents or injuries.

Several hours of continuous use of the appliance can lead to numbness in the hands in rare cases.

- Wear gloves.
- Keep hands warm.
- Take breaks at regular intervals. Working with detergent

WARNING

The improper use of detergents can cause severe injuries or oxidation.

Store cleaning agent away from the reach of children.

Discharge residual pressure before disconnecting the hose from the product.

Check before each use , and at regular intervals, that all metal fasteners are tight and the product's components are in good condition; inspect for broken or worn parts.

Be aware of kick-back: Hold With Both Hands.

SERVICING OF A DOUBLE-INSULATED APPLIANCE

In a double-insulated product, two systems of insulation are provided instead of grounding. Grounding means are not provided for a double- insulated product, nor should grounding means be added to the product. Servicing a double-insulated product requires extreme care and knowledge of the system, and should only be done by qualified service personnel. Replacement parts for a double-insulated product must be identical to the original parts. A double-insulated product is marked with the words "Double Insulation" or "Double Insulated".

Residual risks

Even if you are operating this product in accordance with all the safety requirements, potential risks of injury and damage remain. The following dangers can arise in connection with the structure and design of this product:

Health defects resulting from vibration emission if the product is being used over long periods of time or not adequately managed and properly maintained.

Danger of injury and property damage caused by flying objects.

Injuries and damage to property due to broken accessories or the sudden impact of hidden objects during use.

Safety Devices

CAUTION

Safety installations serve the protection of the user and may not be modified or by past.

Power switch

The appliance switch prevents unintentional operation of the appliance.

Lock trigger gun

This lock locks the lever of the trigger gun and prevents the inadvertent start of the appliance. Overflow valve with.

Water that has flowed through backflow preventers is considered to be non-potable.

Pressure switch

If the lever on the trigger gun is released the pressure switch turns off the pump, the high pressure jet is stopped. If the lever is pulled the pump is turned on again.

Motor protection switch

The motor protection switch off the device if the power consumption is high.

Personal protective equipment

CAUTION

Wear protective clothing and safety goggles to protect against splash back containing water or dirt.

During the use of high-pressure cleaners aerosols can develop. Inhaling aerosols can cause health damage.

- Depending on the application, completely shielded nozzles(e.g. surface cleaner)that significantly reduce the emission of aqueous aerosols can be used for high-pressure cleaning.
- The use of such shielding is not possible with all applications.

Symbols on the machine



The high pressure jet must not be directed at persons, animals, live electrical equipment or at the appliance itself.



The appliance must not be directly connected to the public drinking water network.



For protection against injury, wear ear defenders and safety goggles.



Wear safety gloves during use to protect hands.



Wear non-slip footwear that will protect your feet and improve your balance on slippery surfaces.



Sound power level is 92dB(A)

Proper use

Use this pressure washer for private households only:

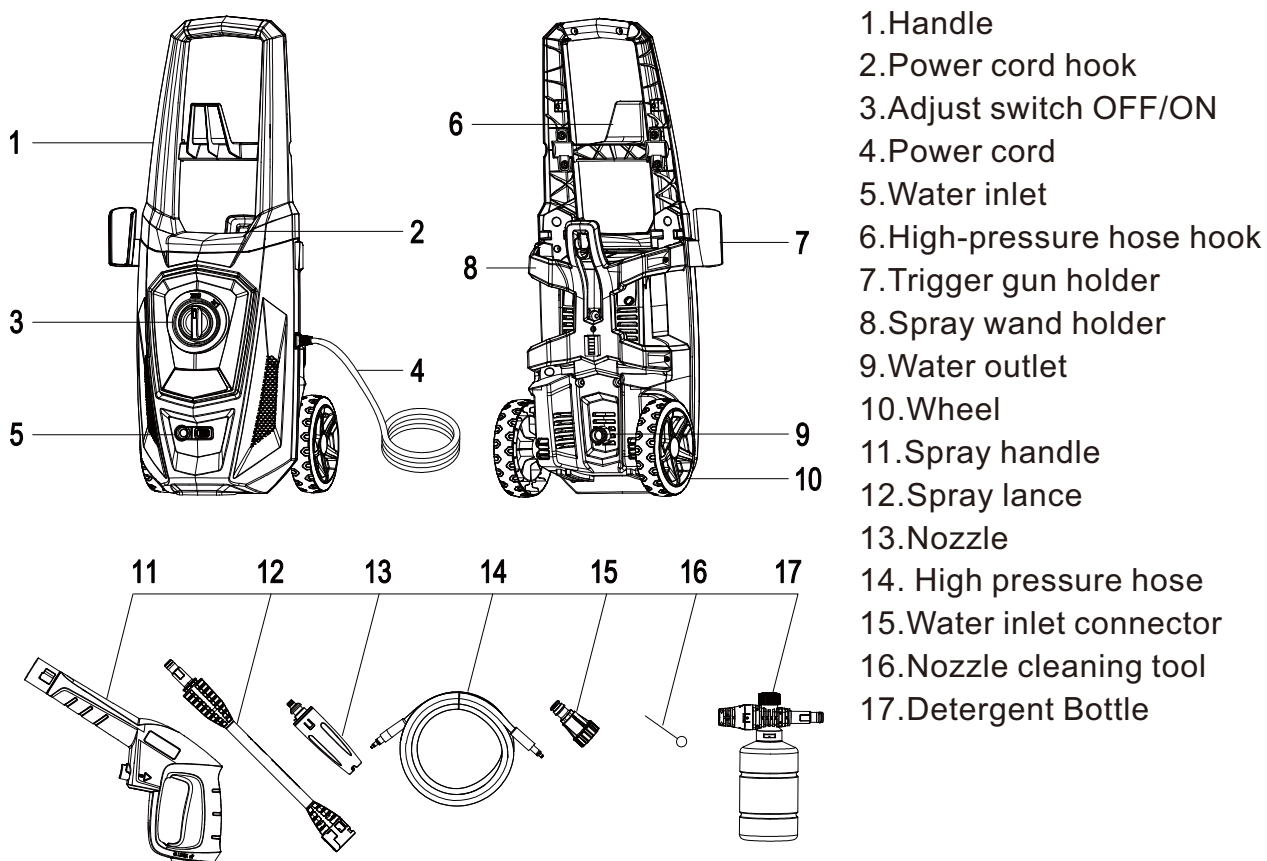
If connection is made to a potable water system, the system shall be protected against back flow.

This high pressure cleaner is designated with a rated input current. The intended use of this product covers the cleaning of vehicles, buildings, terraces, facades and garden equipment using clean water and biodegradable chemical detergents. Likewise the product can be used to clean paving slabs or rain gutters.

This product may not be used to clean clothing, shoes and other textiles. The water jet should not be directed against persons. Animals, any electrical equipment or on the product itself. Do not flush any objects which contain health hazardous materials. The product must not be run with inflammable, explosive and toxic liquids.

For safety reasons it is essential to read the entire instruction manual before first operation and to observe all the instructions there in.

Description of the Appliance



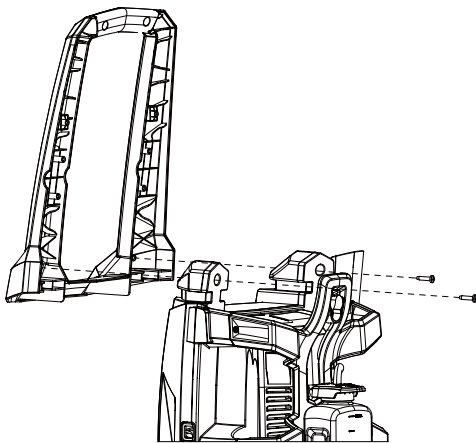
Technical specifications

Voltage	220V-240V~
Frequency	50/60Hz
Watt	1800W
Protection Class	II
Degree of protection	IPX5
Rated pressure	10MPa
Allowable pressure	15MPa
Rated flow	6.0 L/min
Max. flow	8.5 L/min
Max. inlet pressure:	0.7 Mpa

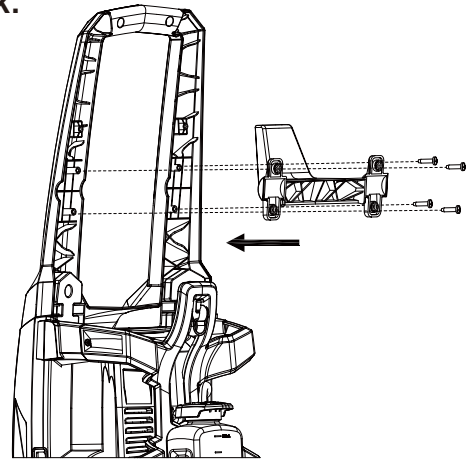
Assembly

Mount loose parts delivered with appliance prior to start-up

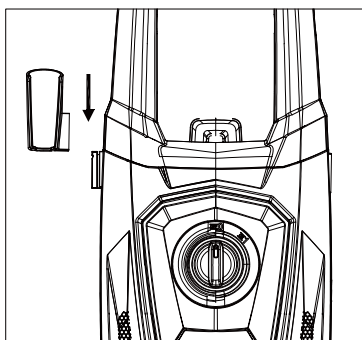
1. Install the handle with four screws.



2. Install the high-pressure hose hook.

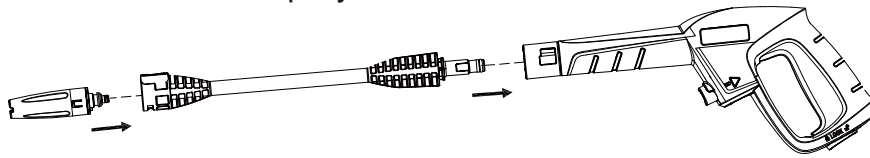


3. Slide the trigger gun holder into the left position of unit.

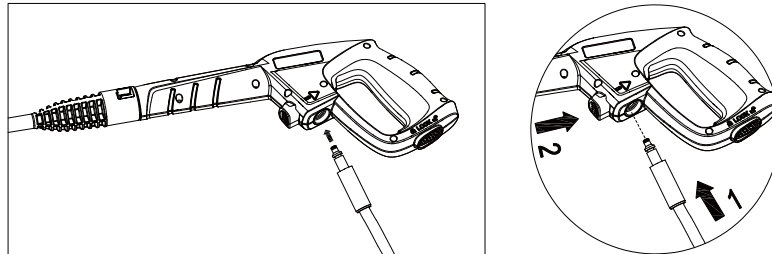


4. Install the spray wand.

- Fit the spray wand into the gun and rotate until the two parts are completely locked. Insert the desired nozzle into the spray lance until a 'click' is heard.

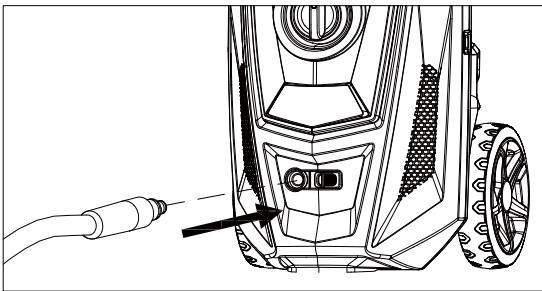


5. Connect the high-pressure hose to the trigger gun.



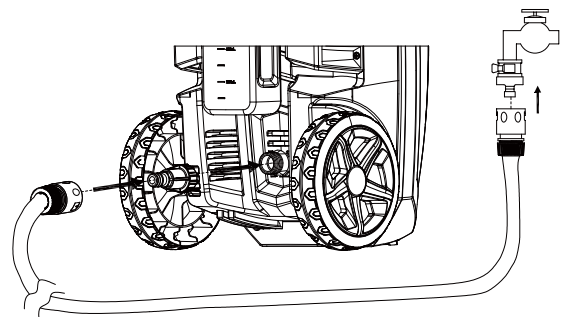
6. Connect the high-pressure hose to the water outlet.

Connect the other end of the high-pressure hose to the water outlet on the washer, then twist the black rotatable end-piece as indicated to secure the connection.



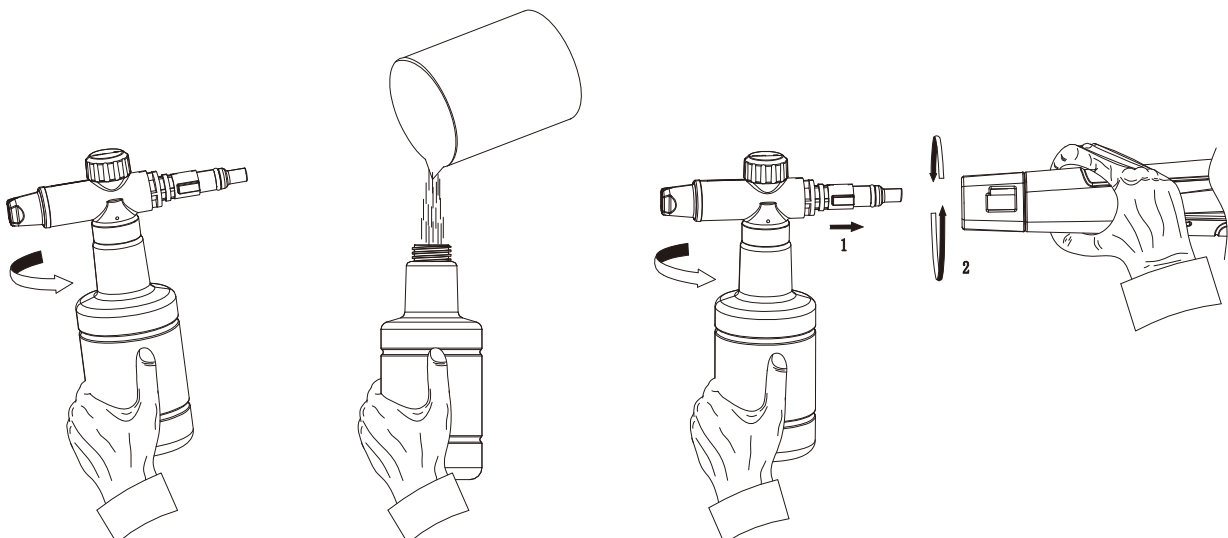
7. Connect the garden hose to the water inlet

Connect the garden hose adaptor (female coupler) to the water inlet of the pressure washer (Need tightening), then thread your garden hose (male end) into the garden hose adaptor. Need to plug tightly, hear the click sound, otherwise the product can not normally water.



8. TO WASH WITH DETERGENT

Screw out the bottle and fill bottle with detergent. Connect Detergent Bottle to Spray Handle.



Start up

Park the appliance on an even surface.

Insert the mains plug into the socket.

Water supply

For connection values, see type plate.

ATTENTION

Impurities in the water can damage the high-pressure pump and the accessories.

Water supply from mains

Drawing in water from the open reservoirs

This high-pressure cleaner works with the suction hose and back flow valve to draw in surface water. For example, from water butts or ponds.

Fill the suction hose with water.

Screw the suction hose into the water connection of the appliance and insert it into the water source (e.g. rainwater drum).

Before use, bleed the device as follows:

- Turn on the appliance “OFF/ON”
- Unlock the lever of the trigger gun.
- Push the lever of the trigger gun, the device will switch on.
- Let the device run (max. 2 minutes) until the water exits the trigger gun without bubbles.
- Release the lever of the trigger gun.
- Lock the lever of the trigger gun.

Operation

ATTENTION

Dry running of more than 2 minutes leads to damage of the high-pressure pump. If the appliance does not build up pressure within 2 minutes, switch the appliance off and proceed in accordance with the instructions in Chapter “Troubleshooting”

High pressure operation

⚠ CAUTION

Keep a distance of at least 30 cm when using the jet for cleaning painted surfaces to avoid damage.

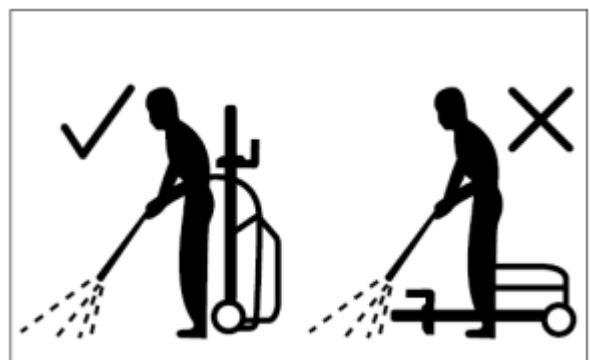
⚠ CAUTION

Make sure the on/off switch is set to ‘OFF/ON’ and insert the plug into a properly installed socket.

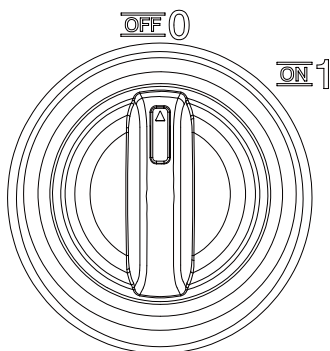
ATTENTION

- The washer must be used on a secure and stable surface in a standing, upright position

Connect the product to power and water supply as described.



- Open the water supply
- Hold the spray gun with both hands.
- Direct the nozzle of the chosen accessory away from you towards the surface to be cleaned.
- Unlock the trigger and press it until a constant amount of water flows through the nozzle, to allow air trapped in the hose to escape.
- Release the trigger.
- Turn on the switch “0/1”.



- Hold the spray gun with both hands. Direct the water jet to the object to be cleaned and press the trigger.

Release the lever of the trigger gun; the device will switch off again and stop the water jet. High pressure remains in the system.

WARNING! Beware of kickback when pressing the trigger!

Operation with detergent

Detergent can only be added when the device is operated in low pressure mode.

DANGER

When using detergents, the material data safety sheet issued by the detergent manufacturer must be adhered, especially the instructions regarding personal protective equipment.

Remove the cap of the clean detergent bottle. Gently pull the onboard detergent tank out of its storage position.

Fill the tank with detergent designed specifically for use with pressure washers.

Push the detergent bottle with the opening pointing downwards into the connection for the hose clean detergent.

Recommended cleaning method

- Spray the detergent sparingly on the dry surface and allow it to react, but not to dry.
- Spray off loosened dirt with the high pressure Met.

After operation with detergent

- Remove the hose clean detergent bottle from the intake and close it with the lid.
- For storage, put the detergent bottle into the retainer with the cap pointing up.

Interrupting operation

- Release the lever of the trigger gun.
- Lock the lever of the trigger gun.
- Put the trigger gun with the spray lance into the parking position.
- During longer breaks (more than 5 minutes), also turn the appliance off using the “0/1” switch.

Finish operation

- Release the lever of the trigger gun.
- Turn off the appliance "0/1".
- Disconnect the mains plug from the socket.

Only separate the high-pressure hose from the trigger gun or the device when there is no pressure in the system.

TURN OFF TAP

- Pressure the lever of the trigger gun to release any remaining pressure in the system.
- Release the lever of the trigger gun.
- Lock the lever of the trigger gun.

ATTENTION

- When disconnecting the supply or high pressure hose, warm water may leak from the connection after operation.
- Detach the appliance from the water supply.

Transportation

CAUTION

Risk of personal injury or damage!

Mind the weight of the appliance during transport.

When transporting by hand

- Switch the product off and disconnect it from the water and power supply.
- Pull out the transport handle until it audibly snaps into place. Attach transportation guards, if applicable.
- Pull the appliance by its transport handle.

When transporting in vehicles

- Prior to horizontal transport: close the cap of clean detergent bottle.
- Tilt the product towards you until it balances on the wheels. Then move it by its transportation handle.
- Protect the product from any heavy impact or strong vibrations which may occur during transportation in vehicles.
- Secure the appliance against shifting and tipping over.

Storage

CAUTION

Risk of personal injury or damage!

Consider the weight of the appliance when storing it.

Storing the appliance

- Park the machine on an even surface.
- Detach spray lance from the trigger gun.
- Push the disconnect button on the trigger gun and pull the high-pressure hose out of the trigger gun.
- Place the trigger gun into the storage for the trigger gun.
- Put both spray lances into the storage for the spray lance.

- Dirt grinder spray lance: Nozzle towards the bottom.
- Coil the high-pressure hose and hang it over the hose storage.
- Store the mains connection in the accessory compartment.
- Prior to extended storage periods, as during the winter, also observe the instructions in the care section.
- Always store the pressure cleaner, parts, and accessories in a place that is inaccessible to children. The ideal storage temperature is between 10 °C and 30 °C. Store the power washer indoors to prevent the water in the unit from expanding under freezing conditions.
- We recommend using the original package for storage or covering the product with a suitable cloth or enclosure to protect it against dust.

Frost protection

ATTENTION

Appliance and accessories that are not completely drained can be destroyed by frost. Completely drain appliance and accessories and protect them against frost. To avoid damage:

- Detach the appliance from the water supply.
- Detach spray lance from the trigger gun.
- Turn on the appliance "0/1".
- Push the lever of the trigger gun until no more water is escaping .
- Release the lever of the trigger gun.
- Lock the lever of the trigger gun.
- Turn off the appliance "ON/OFF".
- Store the appliance and the entire accessories in a frost free room.

Care and maintenance

DANGER

Risk of electric shock

Prior to all work on the appliance, switch off the appliance and pull the power plug.

High-pressure hose

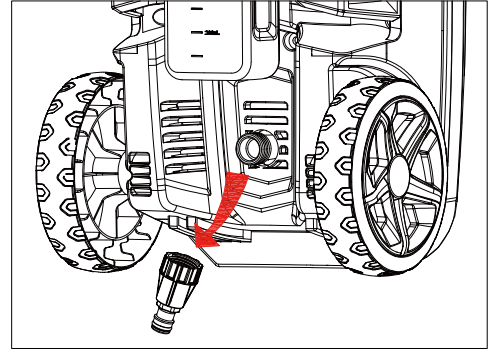
The high pressure hose is specially constructed with reinforced walls it can be easily damaged and should be stored carefully.

- Do not kink.
- Do not drive vehicles over the hose.
- Do not expose the hose to sharp edges or corners. Misuse will lead to ballooning or premature failure and will invalidate warranty.

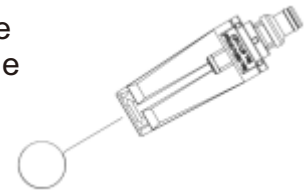
Clean the sieve in the water connection

Clean the sieve in the water connection regularly.

Remove coupling from the water connection, and rinse with warm water to prevent any foreign matter from clogging the pump.



Clean the nozzle with the needle clean-out tool provided . Remove the spray wand from the gun. Remove any dirt from the nozzle hole and rinse.



ATTENTION

- The sieve must not be damaged.
- Pull the sieve out using flat pliers.
- Clean the sieve under running water.
- Reinsert the sieve into the water connection.

Troubleshooting

DANGER! Risk of electric shock.

Turn off the appliance and remove the main plug prior to performing any care and maintenance work. Repair work and work on the electrical components may not only be performed by an authorized customer service. You can rectify minor faults yourself with the help of the following overview. If in doubt, please consult the authorized customer service.

Symptom	Cause	Recommended action
Machine refuses to start	Machine not plugged in Defective socket Fuse has blown Defective extension cord	Plug in machine Try another socket. Replace fuse. Switch off other machines. Try without the extension cord.
Fluctuating pressure	Pump sucking air Valves dirty, worn out or stuck Pump seals worn ou	Check that hoses and connections are airtight. Clean and replace or refer to local distributor Clean and replace or refer to local distributor
Machine stops	Incorrect mains voltage Thermal sensor activated Nozzle partially blocked	Check that the mains voltage corresponds to specification on the model tag. Leave the washer for 5 minutes to cool down. Clean the nozzle

Machine pulsating	Air in inlet hose Inadequate supply of mains water Nozzle partially blocked Water filter blocked Hose kinked	Allow machine to run with open trigger until regular working pressure resumes. Check that the water supply corresponds to specifications required NB! Avoid using long, thin hoses (min. 1/2"). Clean the nozzle /Clean the filter Straighten out hose.
Machine starts, but no water comes out.	Pump/hoses or accessory frozen No water supply Water filter blocked /Nozzle blocked	Wait for pump/hoses or accessory to thaw. Connect inlet water. Clean the filter /Clean the nozzle.

Accessories

A choice of accessories is supplied in the scope of the delivery of this product. Please check the technical specification of any accessories that you purchase to ensure they are compatible with this product.

If you have any questions, please contact our customer care center.
Our contact details are below:

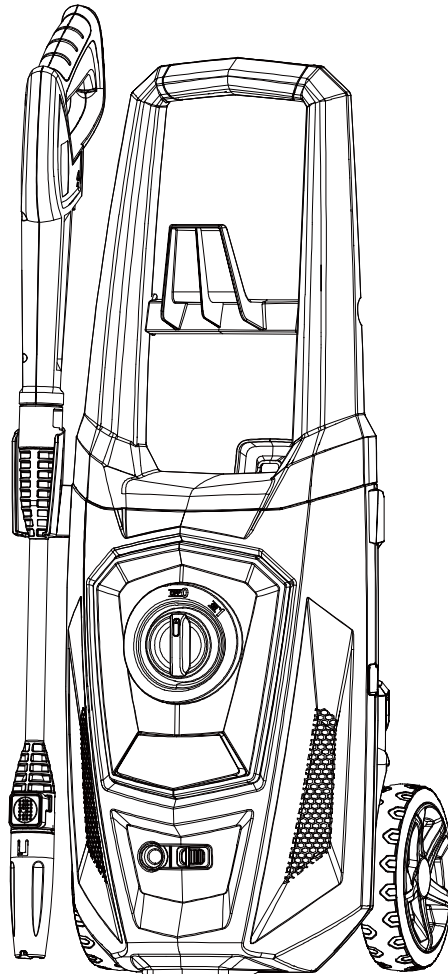


0044-800-240-4004

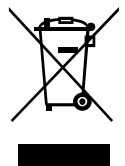


enquiries@mhstar.co.uk

IMPORTER ADDRESS:
MH STAR UK LTD
Unit 27, Perivale Park,
Horsenden lane South
Perivale, UB6 7RH
MADE IN CHINA



Nettoyeur Haute Pression



**IMPORTANT : LIRE ATTENTIVEMENT ET CONSERVEZ CE MANUEL
POUR VOUS Y REFERER ULTERIEUREMENT**

Manuel de l'Utilisateur

CONSIGNES DE SÉCURITÉ IMPORTANTES

CONSERVEZ CES INSTRUCTIONS



Veuillez lire et suivre ces instructions avant la première utilisation de votre appareil et les conserver pour une utilisation ultérieure.

Les avertissements et les notes qui sont joints sur l'appareil fournissent des notes importantes pour le fonctionnement en toute sécurité.

Niveaux de risque

DANGER

Pointez vers un danger immédiat, s'il n'est pas évité, qui entraîne des blessures graves.

AVERTISSEMENT

Signalez une situation potentiellement dangereuse, si elle n'est pas évitée, qui peut entraîner des blessures graves.

MISE EN GARDE

Signale un danger immédiat qui, s'il n'est pas évité, entraîne des blessures graves.

ATTENTION

Signalez une situation potentiellement dangereuse qui peut entraîner des dommages matériels.

Composants électriques

DANGER

Risque de choc électrique.

Ne touchez jamais la fiche secteur et la prise avec les mains mouillées.

Vérifiez que le cordon d'alimentation avec la prise secteur n'est pas endommagé avant chaque utilisation. N'utilisez pas la machine si un cordon d'alimentation ou des parties importantes de la machine sont endommagés, par exemple des dispositifs de sécurité, des tuyaux haute pression, un pistolet à gâchette.

Toutes les parties conductrices de courant dans la zone de travail doivent être protégées contre les eaux courantes.

La fiche secteur et le raccord d'un câble de rallonge doivent être étanches et ne doivent jamais reposer dans l'eau. De plus, l'accouplement ne peut jamais reposer sur le sol. Il est recommandé d'utiliser des enrouleurs de câbles qui s'assurent les prises sont à au moins 60 mm au-dessus du sol.

Assurez-vous que le cordon d'alimentation ou le câble de rallonge n'est pas endommagé par un écrasement, un pincement, un glissement ou autre. Protégez les cordons d'alimentation de la chaleur, de l'huile et des arêtes vives.

Éteignez toujours l'interrupteur de débranchement du secteur lorsque vous laissez l'appareil sans surveillance.

AVERTISSEMENT

L'appareil ne peut être raccordé qu'à un réseau électrique installée par un électricien conformément à la norme CEI 60364.

L'appareil ne peut être raccordé qu'à courant alternatif. La tension doit correspondre à la plaque signalétique de l'appareil.

Pour des raisons de sécurité, nous vous recommandons de faire fonctionner l'appareil uniquement via un dispositif à courant résiduel (max. 30mA).

Une rallonge électrique inadaptée peut être dangereuse. N'utilisez qu'une rallonge électrique homologuée et étiquetée à cet effet, avec une section de câble adéquate à l'extérieur : 1 - 10 m : 1,5 mm² ; 10 - 30 m : 2,5 mm².

Déroulez toujours complètement la rallonge électrique du tambour de câble.

Une rallonge électrique inadaptée peut être dangereuse.

Manipulation sûre

DANGER

La personne doit tenir compte des conditions locales et prêter attention aux autres personnes se trouvant à proximité lorsqu'il travaille avec l'appareil.

Avant chaque utilisation, vérifiez que les composants importants, tels que le tuyau haute pression, le pistolet pulvérisateur à main et les installations de sécurité, ne sont pas endommagés. Remplacez immédiatement les composants endommagés. Ne faites pas fonctionner l'appareil avec des composants endommagés.

L'appareil a été conçu pour être utilisé avec le produit de nettoyage fourni ou recommandé par le fabricant. L'utilisation d'autres agents de nettoyage ou produits chimiques peut nuire à la sécurité à l'appareil.

Les jets à haute pression peuvent être dangereux s'ils sont mal utilisés, ne dirigez pas le jet vers des personnes, des équipements électriques sous tension ou la machine elle-même.

Ne dirigez pas le jet contre vous-même ou contre les autres afin de nettoyer les vêtements ou les chaussures.

N'utilisez pas l'appareil à portée de personnes, sauf si elles portent des vêtements de protection.

Portez l'équipement de protection du personnel (EPI) approprié pendant l'utilisation de l'appareil.

Ne dirigez pas le jet contre vous-même ou contre les autres afin de nettoyer les vêtements ou les chaussures.

AVERTISSEMENT

L'appareil ne doit pas être utilisé par des enfants ou du personnel non formé.

Cet appareil n'est pas destiné à être utilisé par des personnes (y compris les enfants) ayant des capacités physiques, sensorielles ou mentales réduites ou manquant d'expérience et de connaissances.

Les enfants ne doivent pas jouer avec cet appareil.

Surveillez les enfants pour les empêcher de jouer avec l'appareil.

Assurez la stabilité de l'appareil avant toute intervention sur ou avec l'appareil afin d'éviter tout dommage dû à un accident.

Le jet d'eau qui est émis par la buse haute pression entraîne une force de répulsion qui agit sur le pistolet de pulvérisation manuel. Veillez à avoir un pied ferme et à tenir également fermement le pistolet de pulvérisation manuel et la lance de pulvérisation.

Ne laissez jamais l'appareil sans surveillance tant qu'il est en fonctionnement.

ATTENTION

En cas d'interruption prolongée, éteignez l'appareil à l'aide de l'interrupteur principal ou débranchez la fiche secteur.

Ne faites pas fonctionner l'appareil à des températures inférieures à 0 °C.

Autres risques

DANGER

L'appareil ne peut pas fonctionner dans des atmosphères explosives.

Risque d'explosion ! Ne pulvérisiez pas de liquides inflammables.

N'aspirez jamais dans des liquides contenant des solvants ou des acides et solvants non dilués ! Cela inclut l'essence, le diluant pour peinture et le fioul domestique. Le brouillard de pulvérisation est hautement inflammable, explosif et toxique. N'utilisez pas d'acétone, d'acides et de solvants non dilués, car ils corrodent les matériaux utilisés sur l'appareil.

N'utilisez jamais le produit avec des liquides inflammables ou toxiques, ou des liquides ayant des caractéristiques incompatibles avec son bon fonctionnement.

Conservez les films d'emballage hors de portée des enfants, il existe un risque de suffocation !

AVERTISSEMENT

Selon la réglementation applicable, l'appareil ne doit jamais être utilisé sur le filet d'eau potable sans séparateur de système. Assurez-vous que le raccordement de l'installation d'eau de votre bâtiment sur laquelle le nettoyeur haute pression est utilisé et équipé d'un séparateur de système conformément à la réglementation en vigueur.

L'eau qui a traversé les dispositifs anti reflux est considérée comme non potable.

Les flexibles haute pression, les raccords et les coupleurs sont importants pour la sécurité de l'appareil. N'utilisez que des flexibles haute pression, des raccords et des coupleurs recommandés par le fabricant.

Pour assurer la sécurité applicable, utilisez uniquement des pièces de rechange d'origine du fabricant ou approuvées par celui-ci.

Éteignez le produit et débranchez-le de l'alimentation en retirant la fiche d'alimentation de la prise avant le montage, le nettoyage, les réglages, l'entretien, le stockage et le transport ou la conversion du produit à une autre fonction.

MISE EN GARDE

Tenez compte du poids de l'appareil lors Du choix de l'emplacement de stockage et pendant le transport pour éviter les accidents ou les blessures.

Plusieurs heures d'utilisation continue de l'appareil peuvent entraîner un engourdissement des mains dans de rares cas.

- Portez des gants.
- Prenez des pauses à intervalles réguliers.
- Travail avec un détergent

AVERTISSEMENT

L'utilisation inappropriée de détergents peut causer des blessures graves ou de l'oxydation.

Rangez le produit de nettoyage hors de la portée des enfants.

Évacuez la pression résiduelle avant de déconnecter le tuyau du produit.

Vérifiez avant chaque utilisation, et à intervalles réguliers, que toutes les fixations métalliques sont bien serrées et que les composants du produit sont en bon état ; vérifiez que les pièces ne sont pas cassées ou usées.

Faites attention au rebond : Tenez l'appareil à deux mains.

ENTRETIEN D'UN APPAREIL À DOUBLE ISOLATION

Dans un produit à double isolation, deux systèmes d'isolation sont prévus au lieu de la mise à la terre. Aucun moyen de mise à la terre n'est prévu pour un produit à double isolation, et aucun moyen de mise à la terre ne doit être ajouté au produit. L'entretien

d'un produit à double isolation exige un soin extrême et une connaissance du système, et ne doit être effectué que par un personnel d'entretien qualifié. Les pièces de rechange pour un produit à double isolation doivent être identiques aux pièces d'origine. Un produit à double isolation porte la mention « Double isolation ».

Risques résiduels

Même si vous utilisez ce produit conformément à toutes les exigences de sécurité, des risques potentiels de blessures et de dommages subsistent. Les dangers suivants peuvent survenir en relation avec la structure et la conception de ce produit :

Défauts de santé résultant de l'émission de vibrations si le produit est utilisé pendant de longues périodes ou s'il n'est pas géré de manière adéquate et correctement entretenu.

Risque de blessures et de dommages matériels causés par des objets volants.

Blessures et dommages matériels dus à des accessoires cassés ou à l'impact soudain d'objets cachés pendant l'utilisation.

Dispositifs de sécurité

MISE EN GARDE

Les dispositifs de sécurité servent à la protection de l'utilisateur et ne peuvent être modifiés ou par le passé.

Interrupteur d'alimentation

L'interrupteur d'alimentation permet d'empêcher le fonctionnement involontaire de l'appareil.

Verrouillage du pistolet à gâchette

Ce verrou permet de bloquer le levier du pistolet à gâchette et d'empêcher la mise en marche involontaire de l'appareil.

Soupape différentielle

L'eau qui a coulé à travers les dispositifs anti refoulement est considérée comme non potable.

Pressostat

Si le levier du pistolet à gâchette est relâché, le pressostat arrête la pompe, le jet haute pression est stoppé. Si l'on tire sur le levier, la pompe se remet en marche.

Interrupteur de protection moteur

La protection du moteur éteint l'appareil si la consommation d'énergie est élevée.

Équipement de protection individuelle

MISE EN GARDE

Portez des vêtements de protection et des lunettes de sécurité pour vous protéger contre les éclaboussures contenant de l'eau ou de la saleté.

Lors de l'utilisation de nettoyeurs haute pression, des aérosols peuvent se développer. L'inhalation d'aérosols peut causer des dommages à la santé.

- Selon l'application, des buses complètement blindées (par exemple un nettoyeur de surface) qui réduisent considérablement les émissions d'aérosols aqueux peuvent être utilisées pour le nettoyage à haute pression.
- L'utilisation d'un tel blindage n'est pas possible avec toutes les applications.

Symboles sur la machine



Le jet haute pression ne doit pas être dirigé vers des personnes, des animaux, des équipements électriques sous tension ou vers l'appareil lui-même.



L'appareil ne doit pas être directement raccordé au réseau public d'eau potable.



Pour vous protéger contre les blessures, portez des protecteurs d'oreilles et des lunettes de sécurité.



Portez des gants de sécurité pendant l'utilisation pour protéger les mains



Portez des chaussures antidérapantes qui protégeront vos pieds et amélioreront votre pied sur les surfaces glissantes.



Le niveau de puissance acoustique est de 92dB(A)

Utilisation appropriée

Utilisez ce nettoyeur haute pression uniquement pour les ménages privés :

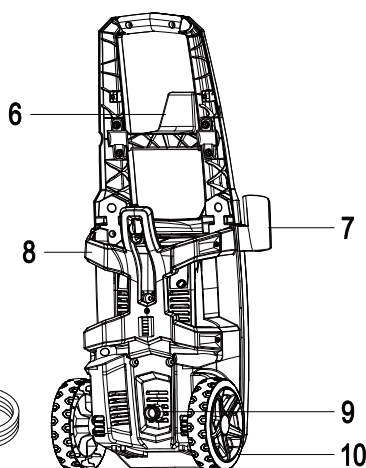
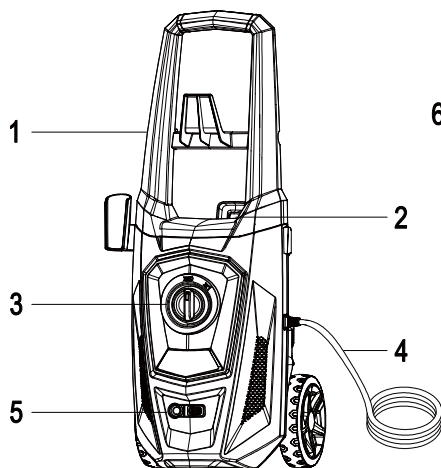
Si un raccordement est effectué à un réseau d'eau potable, le système doit être protégé contre le refoulement.

Ce nettoyeur haute pression est désigné avec un courant d'entrée nominal. L'utilisation prévue de ce produit couvre le nettoyage des véhicules, des bâtiments, des terrasses, des façades et des équipements de jardin à l'aide d'eau propre et de détergents chimiques biodégradables. De même, le produit peut être utilisé pour nettoyer les dalles de pavage ou les gouttières.

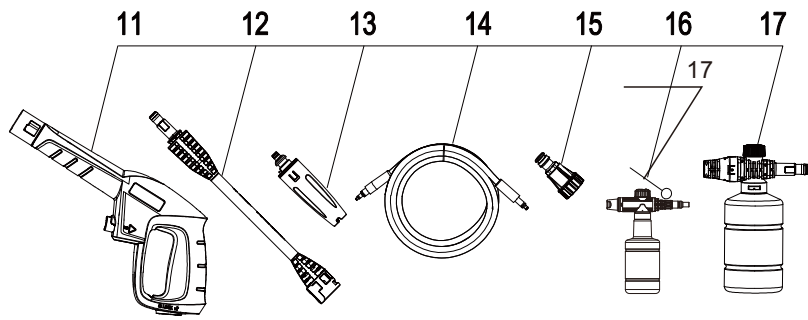
Ce produit ne peut pas être utilisé pour nettoyer les vêtements, chaussures et autres textiles. Le jet d'eau ne doit pas être dirigé contre des personnes. Les animaux, tout équipement électrique ou sur le produit lui-même. Ne rincez pas les objets contenant des matières dangereuses pour la santé. Le produit ne doit pas être utilisé avec des liquides inflammables, explosifs et toxiques.

Pour des raisons de sécurité, il est indispensable de lire l'intégralité du manuel d'instructions avant la première utilisation et de respecter toutes les instructions qu'il contient.

Description de l'appareil



1. Poignée
2. Crochet du cordon d'alimentation
3. Interrupteur de réglage MARCHÉ / ARRÊT
4. Cordon d'alimentation
5. Entrée d'eau
6. Crochet de tuyau haute pression
7. Support de pistolet à gâchette
8. Porte-lance de pulvérisation
9. Sortie d'eau
10. Roue



- 11. Poignée de pulvérisation
- 12. Lance de pulvérisation
- 13. Buse
- 14. Tuyau haute pression
- 15. Connecteur d'entrée d'eau
- 16. Outil de nettoyage de buse
- 17. Bouteille de Détergent

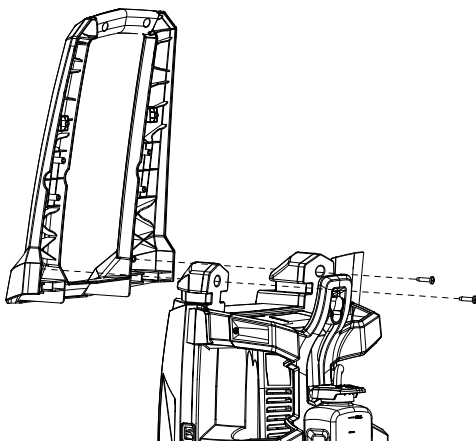
Spécifications techniques

Tension	220V-240V~
Fréquence	50/60Hz
Watt	1800W
Classe de protection	II
Degré de protection	IPX5
Pression nominale	10MPa
Pression admissible	15MPa
Débit nominal	6,0 L/min
Débit max.	8,5 L/min
Pression d'entrée max. :	0,7Mpa

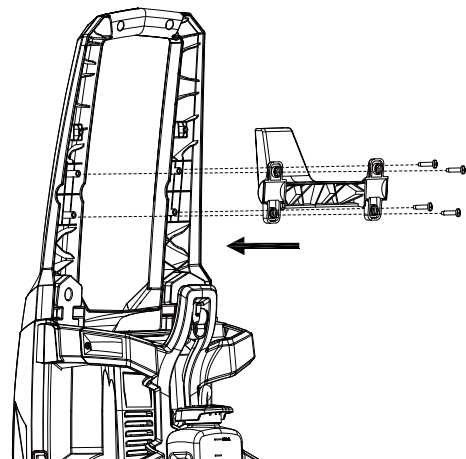
Assemblage

Assemblez les pièces détachées livrées avec l'appareil avant le démarrage

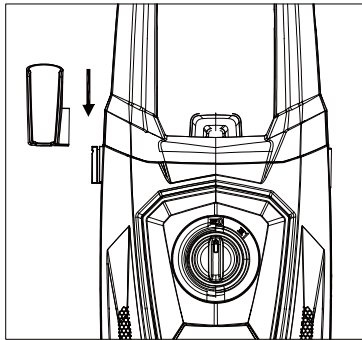
1. Installation de la poignée avec deux vis.



2. Installation du crochet de tuyau pression.



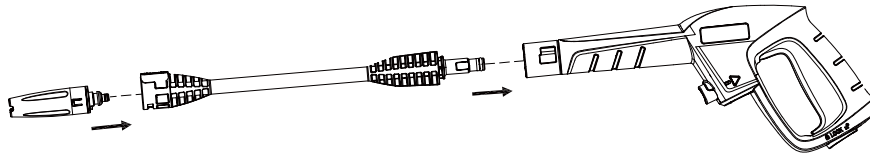
3. Faites glisser le support du pistolet de gâchette dans la position gauche de l'appareil.



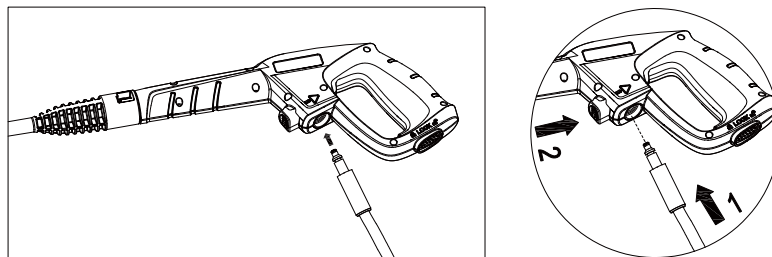
4. Installation de la lance de pulvérisation.

• Insérez la lance de pulvérisation dans le pistolet et tournez-la jusqu'à ce que les deux parties soient complètement verrouillées.

Insérez la buse souhaitée dans la lance de pulvérisation jusqu'à ce qu'un « clic » se fasse entendre.

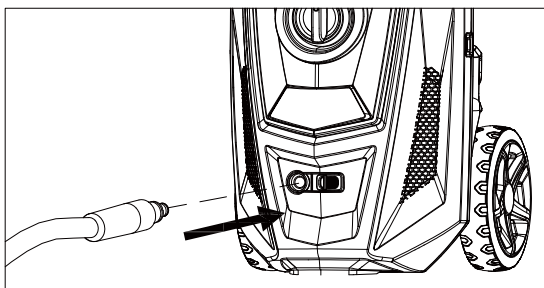


5. Raccordement du tuyau haute pression au pistolet à gâchette.



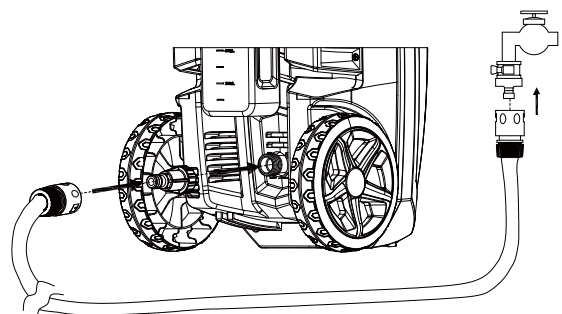
6. Raccordement du tuyau haute pression à la sortie d'eau.

Connectez l'autre extrémité du tuyau haute pression à la sortie d'eau du nettoyeur, puis tournez l'embout rotatif noir comme indiqué pour sécuriser le raccordement.



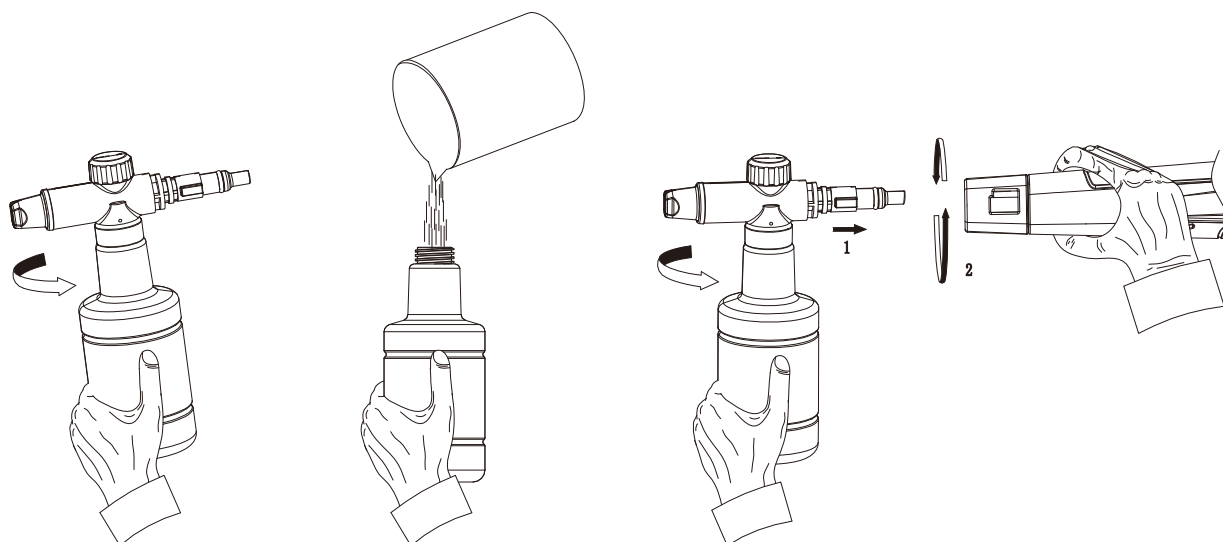
7. Raccordement du tuyau d'arrosage à l'entrée d'eau

Connectez l'adaptateur de tuyau d'arrosage (raccord femelle) à l'entrée d'eau du nettoyeur haute pression (besoin de serrage), puis vissez votre tuyau d'arrosage (extrémité mâle) dans l'adaptateur de tuyau d'arrosage. Il faut brancher fermement, entendre le clic, sinon le produit ne peut pas arroser normalement.



8. POUR LAVER AVEC DU DÉTERGENT

Dévissez la bouteille et remplissez-la de détergent. Vissez la bouteille de détergent sur la Poignée Pulvérisateur.



Mise en marche

Placez l'appareil sur une surface plane.

Insérez la fiche secteur dans la prise.

Approvisionnement en eau

Pour les valeurs de raccordement, voir la plaque signalétique.

ATTENTION

Les impuretés dans l'eau peuvent endommager la pompe haute pression et les accessoires.

Approvisionnement en eau à partir du réseau

Prélèvement d'eau dans les réservoirs ouverts

Ce nettoyeur haute pression fonctionne avec le tuyau d'aspiration et le clapet anti-retour pour aspirer l'eau de surface. Par exemple, à partir de réservoirs d'eau ou d'étangs.

Remplissez le tuyau d'aspiration avec de l'eau.

Vissez le tuyau d'aspiration dans le raccord d'eau de l'appareil et insérez-le dans la source d'eau (par exemple, un bidon d'eau de pluie).

Avant utilisation, purgez l'appareil comme suit

- Mettez l'appareil en marche « MARCHÉ/ARRÊT »
- Déverrouillez le levier du pistolet à gâchette.
- Poussez le levier du pistolet à gâchette, l'appareil s'allumera.
- Laissez l'appareil se mettre en marche (max. 2 minutes) jusqu'à ce que l'eau sorte du pistolet à gâchette sans bulles.
- Relâchez le levier du pistolet à gâchette.
- Verrouillez le levier du pistolet à gâchette.

Fonctionnement

ATTENTION

Un fonctionnement à sec de plus de 2 minutes entraîne une détérioration de la pompe haute pression. Si l'appareil n'augmente pas la pression dans les 2 minutes, éteignez-le et procédez conformément aux instructions du chapitre « Dépannage ».

Fonctionnement à haute pression

⚠ MISE EN GARDE

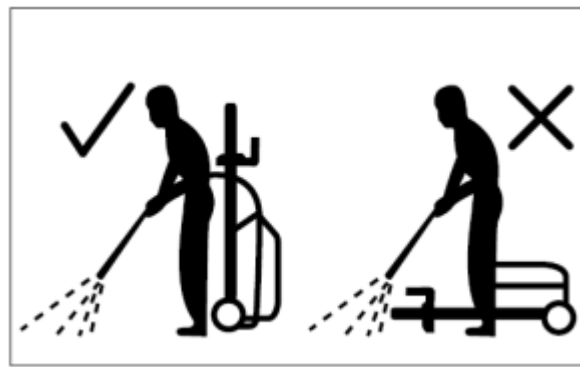
Gardez une distance d'au moins 30 cm lorsque vous utilisez le jet pour nettoyer les surfaces peintes afin d'éviter tout dommage.

⚠ ATTENTION

Assurez-vous que l'interrupteur marche/arrêt est réglé sur « MARCHE/ARRÊT » et insérez la fiche dans une prise correctement installée.

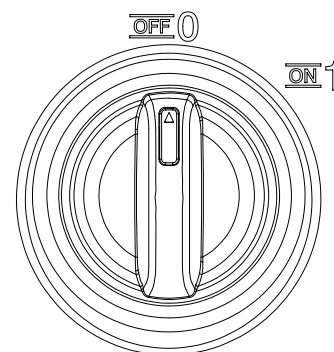
ATTENTION

- Le nettoyeur doit être utilisée sur une surface sûre et stable en position debout et verticale



Connectez le produit à l'alimentation en électricité et en eau comme décrit.

- Ouvrez l'approvisionnement en eau
- Tenez le pistolet pulvérisateur avec les deux mains.
- Dirigez la buse de l'accessoire choisi loin de vous vers la surface à nettoyer.
- Déverrouillez la gâchette et appuyez dessus jusqu'à ce qu'une quantité constante d'eau s'écoule à travers la buse, pour permettre à l'air emprisonné dans le tuyau de s'échapper.
- Relâchez la gâchette.
- Allumez l'interrupteur « 0/1 »,.
- Tenez le pistolet de pulvérisation avec les deux mains. Dirigez le jet d'eau vers l'objet à nettoyer et appuyez sur la gâchette.



Relâchez le levier du pistolet à gâchette ; l'appareil s'éteint à nouveau et arrête le jet d'eau. La haute pression reste dans le système.

AVERTISSEMENT ! Faites attention au rebond lorsque vous appuyez sur la gâchette !

Fonctionnement avec du détergent

Le détergent ne peut être ajouté que lorsque l'appareil fonctionne en mode basse pression.

⚠ DANGER

Lors de l'utilisation de détergents, il faut respecter la fiche de données de sécurité publiée par le fabricant du détergent, en particulier les instructions concernant l'équipement de protection individuelle.

Retirez le bouchon de la bouteille de détergent propre. Retirez doucement le réservoir de détergent embarqué de sa position de stockage.

Remplissez le réservoir de détergent conçu spécialement pour les nettoyeurs haute pression.

Poussez la bouteille de détergent avec l'ouverture dirigée vers le bas dans le raccord pour le tuyau de détergent propre.

Méthode de nettoyage recommandée

- Vaporisez le détergent avec parcimonie sur la surface sèche et laissez-le réagir, mais pas sécher.
- Pulvérisez la saleté détachée avec la haute pression.

Après l'utilisation du détergent

- Retirez la bouteille de détergent propre du tuyau de l'admission et fermez-le avec le couvercle.
- Pour le stockage, mettez la bouteille de détergent dans le dispositif de retenue avec le bouchon pointé vers le haut.

Interruption du fonctionnement

- Relâchez le levier du pistolet à gâchette.
- Verrouillez le levier du pistolet à gâchette.
- Placez le pistolet à gâchette avec la lance de pulvérisation en position de stationnement.
- Pendant les pauses plus longues (plus de 5 minutes), éteignez également l'appareil à l'aide de l'interrupteur « 0/1 ».

Opération de fin

- Relâchez le levier du pistolet à gâchette.
- Éteignez l'appareil « 0/1 ».
- Débranchez la fiche secteur de la prise.
- Ne séparez le tuyau haute pression du pistolet à gâchette ou de l'appareil que lorsqu'il n'y a pas de pression dans le système.

ÉTEINDRE LE ROBINET

- Appuyez sur le levier du pistolet à gâchette pour relâcher toute pression restante dans le système.
- Relâchez le levier du pistolet à gâchette.
- Verrouillez le levier du pistolet à gâchette.

ATTENTION

- Lors de la déconnexion de l'alimentation ou du tuyau haute pression, de l'eau chaude peut s'échapper du raccord après le fonctionnement.
- Détachez l'appareil de l'alimentation en eau.

Transport



MISE EN GARDE

Risque de blessure ou de dommages corporels !
Faites attention au poids de l'appareil pendant le transport.

Lors du transport à main levée

- Mettez l'appareil à l'arrêt et débranchez-le de l'alimentation en eau et en électricité.
- Tirez la poignée de transport jusqu'à ce qu'elle s'enclenche de manière audible. Fixez les protections de transport, le cas échéant.
- Tirez l'appareil par sa poignée de transport.

Lors du transport en véhicules

- Avant le transport horizontal : fermez le bouchon de la bouteille de détergent propre.
- Inclinez le produit vers vous jusqu'à ce qu'il se balance sur les roues. Puis déplacez-le par sa poignée de transport.
- Protégez le produit contre les chocs violents ou les fortes vibrations qui peuvent se produire pendant le transport dans des véhicules.
- Fixez l'appareil contre tout déplacement et basculement.

Stockage

MISE EN GARDE

Risque de blessure ou de dommages corporels !
Tenez compte du poids de l'appareil lorsque vous l'entrez.

Stockage de l'appareil

- Rangez la machine sur une surface plane.
- Détachez la lance de pulvérisation du pistolet à gâchette.
- Appuyez sur le bouton de déconnexion du pistolet à gâchette et retirez le tuyau haute pression du pistolet à gâchette.
- Placez le pistolet à gâchette dans le stockage prévu à cet effet.
- Placez les deux lances de pulvérisation dans le stockage pour la lance de pulvérisation.
- Lance de pulvérisation de broyeur de saleté : Buse vers le bas.
- Enroulez le tuyau haute pression et suspendez-le au-dessus du rangement pour tuyaux.
- Rangez la prise secteur dans le compartiment à accessoires.
- Avant les périodes de stockage prolongées, comme pendant l'hiver, respectez également les instructions de la section d'entretien.
- Rangez toujours le nettoyeur haute pression, les pièces et les accessoires dans un endroit inaccessible aux enfants. La température idéale de stockage se situe entre 10 °C et 30 °C. Rangez le nettoyeur haute pression à l'intérieur pour éviter que l'eau contenue dans l'appareil ne se dilate sous l'effet du gel.
- Nous vous recommandons d'utiliser l'emballage d'origine pour le stockage ou de recouvrir le produit d'un tissu ou d'une enveloppe appropriée pour le protéger de la poussière.

Antigel

ATTENTION

Les appareils et accessoires qui ne sont pas complètement vidés peuvent être détruits par le gel.

Videz complètement l'appareil et les accessoires et protégez-les contre le gel. Pour éviter tout dommage :

- Détachez l'appareil de l'alimentation en eau.
- Détachez la lance de pulvérisation du pistolet à gâchette.
- Mettez l'appareil en marche « 0/1 ».
- Poussez le levier du pistolet à gâchette jusqu'à ce qu'il n'y ait plus d'eau qui s'échappe.
- Relâchez le levier du pistolet à gâchette.
- Verrouillez le levier du pistolet à gâchette.
- Éteignez l'appareil « MARCHE/ARRÊT ».
- Rangez l'appareil et tous les accessoires dans un local à l'abri du gel.

Entretien et maintenance

DANGER

Risque de choc électrique

Avant tout travail sur l'appareil, éteignez-le et tirez sur la fiche d'alimentation.

Tuyau haute pression

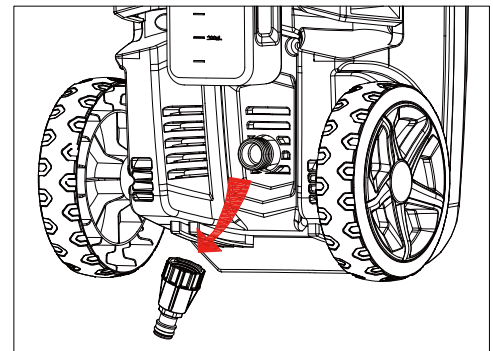
Le tuyau haute pression est spécialement construit avec des parois renforcées, il peut être facilement endommagé et doit être stocké avec soin.

- Ne le pliez pas.
- Ne faites pas passer de véhicules sur le tuyau.
- N'exposez pas le tuyau à des arêtes vives ou à des coins. Une mauvaise utilisation entraînera un ballonnement ou une défaillance prématurée et annulera la garantie.

Nettoyage du tamis dans le raccord d'eau

Nettoyez régulièrement le tamis dans le raccordement à l'eau.

Retirez le raccord du branchement d'eau et rincez-le à l'eau chaude pour éviter que des corps étrangers n'obstruent la pompe.



Nettoyez la buse avec l'outil de nettoyage de l'aiguille fourni. Retirez la lance de pulvérisation du pistolet. Retirez toute saleté de l'orifice de la buse et rincez-la.



ATTENTION

- Le tamis ne doit pas être endommagé.
- Retirez le tamis à l'aide d'une pince plate.
- Nettoyez le tamis sous l'eau courante.
- Réinsérez le tamis dans le raccord d'eau.

Dépannage

DANGER Risque de secousses électriques.

Éteignez l'appareil et retirez la fiche principale avant d'effectuer des travaux d'entretien et d'entretien. Les travaux de réparation et les travaux sur les composants électriques ne peuvent pas seulement être effectués par un service à la clientèle autorisé. Vous pouvez corriger vous-même les défauts mineurs à l'aide de l'aperçu suivant. En cas de doute, veuillez consulter le service clientèle autorisé.

Symptôme	Cause	Solutions recommandées
La machine refuse de se démarrer	Machine non branchée Prise défectueuse Le fusible a sauté Rallonge électrique défectueuse	Branchez la machine Essayez une autre prise. Remplacez le fusible. Éteignez les autres machines. Essayez sans la rallonge.
Branchez la machine Essayez une autre prise. Remplacez le fusible. Éteignez les autres machines. Essayez sans la rallonge.	Pompe aspirant de l'air Soupapes sales, usées ou coincées Joints de pompe usés	Vérifiez que les tuyaux et les raccords sont étanches à l'air. Nettoyez et remplacez ou référez-vous à un distributeur local Nettoyez et remplacez ou référez-vous à un distributeur local
La machine s'arrête	Tension secteur incorrecte Capteur thermique activé Buse partiellement bloquée	Vérifiez que la tension secteur correspond aux spécifications figurant sur l'étiquette du modèle. Laissez la laveuse refroidir pendant 5 minutes. Nettoyez la buse
Machine pulsée	Entrée d'air dans le tuyau d'entrée Approvisionnement insuffisant en eau courante Buse partiellement bloquée Filtre à eau bloqué Tuyau plié	Laissez la machine fonctionner avec la gâchette ouverte jusqu'à ce que la pression de service normale revienne. Vérifiez que l'alimentation en eau correspond aux spécifications requises NB ! Évitez d'utiliser des tuyaux longs et fins (min. 1/2"). Nettoyez-la buse /Nettoyez le filtre Redressez le tuyau.
La machine démarre, mais aucune eau ne sort	Pompe/tuyaux ou accessoires congelés Pas d'approvisionnement en eau Filtre à eau bloqué / Buse bloquée	Attendez que la pompe/les tuyaux ou l'accessoire dégèlent. Connectez l'eau d'entrée. Nettoyez le filtre / Nettoyez la buse

Accessoires

Un choix d'accessoires est fourni dans le cadre de la livraison de ce produit. Veuillez vérifier les spécifications techniques de tout accessoire que vous achetez pour vous assurer qu'il est compatible avec ce produit.

Si vous avez la moindre question, veuillez contacter notre centre d'assistance à la clientèle. Nos coordonnées sont les suivantes:



0033-1-84166106



aosom@mhfrance.fr

Importé par/Fabricant/REP:

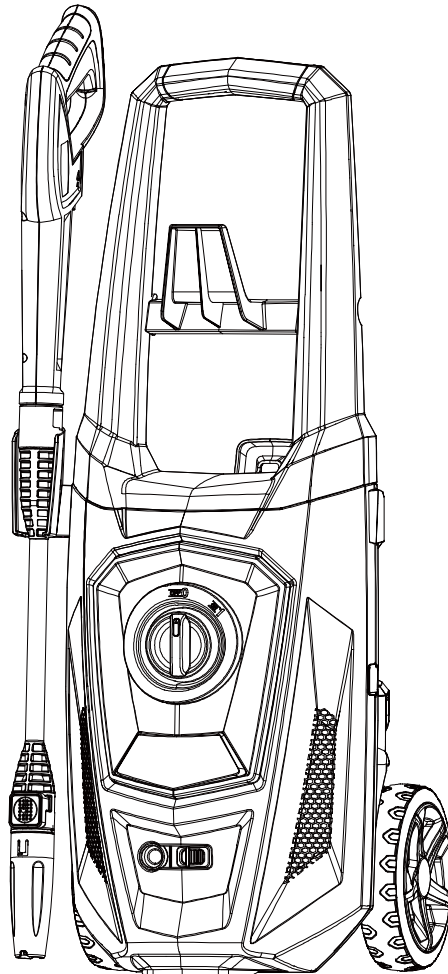
MH France

2, rue Maurice Hartmann

92130 Issy-les-Moulineaux

France

Fabriqué en Chine



Hochdruckreiniger



**WICHTIG, FÜR DIE SPÄTERE VERWENDUNG AUFBEWAHREN:
SORGFÄLTIG DURCHLESEN**

Benutzerhandbuch

WICHTIGE SICHERHEITSANWEISUNGEN

BEWAHREN SIE DIESE ANWEISUNGEN AUF



Bitte lesen und befolgen Sie diese Original Anweisungen vor der ersten Verwendung Ihres Geräts und bewahren Sie sie für spätere Verwendung oder nachfolgende Besitzer auf.

Warnungen und Hinweise, die am Gerät angebracht sind, enthalten wichtige Hinweise für den sicheren Betrieb.

Gefahrenstufen

GEFAHR

Weist auf eine unmittelbare Gefahr hin, die, wenn sie nicht vermieden wird, zu schweren Verletzungen oder zum Tod führt.

WARNUNG

Weist auf eine möglicherweise gefährliche Situation hin, die, wenn sie nicht vermieden wird, zu schweren Verletzungen oder zum Tod führen kann.

VORSICHT

Weist auf eine möglicherweise gefährliche Situation hin, die, wenn sie nicht vermieden wird, zu leichten Verletzungen führen kann.

ACHTUNG

Weist auf eine möglicherweise gefährliche Situation hin, die zu Sachschäden führen kann.

Elektrische Komponenten

GEFAHR

Gefahr eines Stromschlags.

Berühren Sie den Netzstecker und die Steckdose niemals mit nassen Händen.

Überprüfen Sie das Stromkabel mit dem Netzstecker vor jeder Verwendung auf Schäden.

Verwenden Sie das Gerät nicht, wenn ein Stromkabel oder wichtige Teile des Geräts beschädigt sind, z.B. Sicherheitseinrichtungen, Hochdruckschläuche, Abzugspistole.

Alle stromleitenden Teile im Arbeitsbereich müssen gegen Strahlwasser geschützt werden.

Der Netzstecker und die Anschlusskupplung eines Verlängerungskabels müssen wasserdicht sein und dürfen nie im Wasser liegen. Außerdem darf die Anschlusskupplung nie auf dem Boden liegen. Wir empfehlen die Verwendung von Kabeltrommeln, die sicherstellen, dass sich die Steckdosen mindestens 60 mm über dem Boden befinden.

Stellen Sie sicher, dass das Stromkabel oder das Verlängerungskabel nicht durch Überfahren, Einklemmen, Ziehen o.ä. beschädigt wird. Schützen Sie die Stromkabel vor Hitze, Öl und scharfen Kanten.

Schalten Sie immer den Netztrennschalter aus, wenn Sie das Gerät unbeaufsichtigt lassen.

WARNUNG

Das Gerät darf nur an einen Stromanschluss angeschlossen werden, der von einem Elektriker gemäß IEC 60364 installiert wurde.

Das Gerät darf nur an Wechselstrom angeschlossen werden. Die Spannung muss mit dem Typenschild des Geräts übereinstimmen.

Aus Sicherheitsgründen empfehlen wir Ihnen, das Gerät nur über einen Fehlerstromschutzschalter (max. 30 mA) zu betreiben.

Ein ungeeignetes elektrisches Verlängerungskabel kann eine Gefahr darstellen. Verwenden Sie nur ein elektrisches Verlängerungskabel, das für diesen Zweck zugelassen und gekennzeichnet ist und einen ausreichenden Kabelquerschnitt im Freien aufweist: 1 - 10 m: 1,5 mm²; 10 - 30 m: 2,5 mm².

Wickeln Sie das Verlängerungskabel immer vollständig von der Kabeltrommel ab.

Ein ungeeignetes elektrisches Verlängerungskabel kann eine Gefahr darstellen.

Sichere Handhabung

GEFAHR

Der Benutzer muss das Gerät bestimmungsgemäß verwenden. Er muss die örtlichen Gegebenheiten berücksichtigen und beim Arbeiten mit dem Gerät auf andere Personen in der Umgebung achten.

Überprüfen Sie wichtige Komponenten wie den Hochdruckschlauch, die Handspritzpistole und die Sicherheitseinrichtungen vor jedem Betrieb auf Schäden. Ersetzen Sie beschädigte Teile sofort. Betreiben Sie das Gerät nicht mit beschädigten Komponenten.

Das Gerät ist für die Verwendung mit dem vom Hersteller gelieferten oder empfohlenen Reinigungsmittel konzipiert. Die Verwendung anderer Reinigungsmittel oder Chemikalien kann die Sicherheit des Geräts beeinträchtigen.

Hochdruckdüsen können gefährlich sein, wenn sie einer falschen Verwendung unterliegen. Der Strahl darf nicht auf Personen, stromführende elektrische Geräte oder das Gerät selbst gerichtet werden.

Richten Sie den Strahl nicht gegen sich selbst oder andere, um Kleidung oder Schuhe zu reinigen.

Verwenden Sie das Gerät nicht in der Nähe von Personen, wenn diese keine Schutzkleidung tragen.

Tragen Sie während des Betriebs des Geräts eine geeignete persönliche Schutzausrüstung (PSA).

Richten Sie den Strahl nicht gegen sich selbst oder andere, um Kleidung oder Schuhe zu reinigen.

WARNUNG

Das Gerät darf nicht von Kindern oder ungeschultem Personal betrieben werden.

Dieses Gerät ist nicht für die Verwendung durch Personen (einschließlich Kinder) mit verringerten körperlichen, sensorischen oder geistigen Fähigkeiten oder mangelnder Erfahrung und Kenntnis bestimmt.

Kinder dürfen nicht mit diesem Gerät spielen.

Beaufsichtigen Sie Kinder, um zu verhindern, dass sie mit dem Gerät spielen.

Sorgen Sie für einen sicheren Stand des Geräts, bevor Sie an oder mit dem Gerät arbeiten, um Unfälle und Schäden zu vermeiden.

Der Wasserstrahl, der aus der Hochdruckdüse austritt, führt zu einer Abstoßungskraft, die auf die Handspritzpistole wirkt. Stellen Sie sicher, dass Sie einen festen Stand haben und auch die Handspritzpistole und die Sprühlanze gut festhalten.

Lassen Sie das Gerät niemals unbeaufsichtigt, solange es in Betrieb ist.

ACHTUNG

Bei längeren Pausen schalten Sie das Gerät am Netzschalter aus oder ziehen Sie den Netzstecker.

Betreiben Sie das Gerät nicht bei Temperaturen unter 0 °C

Andere Risiken

GEFAHR

Das Gerät darf nicht in explosionsgefährdeten Umgebungen betrieben werden.

Es besteht Explosionsgefahr! Versprühen Sie keine brennbaren Flüssigkeiten.

Saugen Sie niemals lösungsmittelhaltige Flüssigkeiten oder unverdünnte Säuren und Lösungsmittel ein! Dazu gehören Benzin, Farbverdünner und Heizöl. Der Sprühnebel ist leicht entzündlich, explosiv und giftig. Verwenden Sie kein Aceton, keine unverdünnten Säuren und Lösungsmittel, da diese die am Gerät verwendeten Materialien angreifen.

Verwenden Sie das Produkt niemals mit brennbaren oder giftigen Flüssigkeiten oder mit Flüssigkeiten, deren Eigenschaften mit dem ordnungsgemäßen Betrieb des Geräts nicht vereinbar sind.

Halten Sie Verpackungsfolien von Kindern fern, es besteht Erstickengefahr!

WARNUNG

Gemäß den zutreffenden Regelungen darf das Gerät niemals ohne Systemtrenner am Trinkwassernetz verwendet werden. Stellen Sie sicher, dass der Anschluss Ihrer Hauswasserinstallation, an dem der Hochdruckreiniger betrieben wird, gemäß den geltenden Vorschriften mit einem Systemtrenner ausgestattet ist.

Wasser, das durch Rohrtrenner geflossen ist, gilt als nicht trinkbar.

Hochdruckschläuche, Armaturen und Anschlusskupplungen sind wichtig für die Sicherheit des Geräts. Verwenden Sie nur Hochdruckschläuche, Armaturen und Anschlusskupplungen, die vom Hersteller empfohlen werden.

Um dies sicherzustellen, verwenden Sie nur Original-Ersatzteile des Herstellers oder vom Hersteller zugelassene Teile.

Schalten Sie das Produkt aus und trennen Sie es vom Stromnetz, indem Sie den Stecker aus der Steckdose ziehen, bevor Sie das Produkt montieren, reinigen, einstellen, warten, speichern, transportieren oder auf eine andere Funktion umstellen.

VORSICHT

Achten Sie bei der Wahl des Aufbewahrungsorts und beim Transport auf das Gewicht des Geräts, um Unfälle oder Verletzungen zu vermeiden.

Mehrere Stunden ununterbrochene Verwendung des Geräts kann in seltenen Fällen zu Taubheitsgefühlen in den Händen führen.

- Tragen Sie Handschuhe.
- Halten Sie die Hände warm.
- Machen Sie in regelmäßigen Abständen Pausen. Arbeiten mit Reinigungsmitteln

WARNUNG

Die unsachgemäße Verwendung von Reinigungsmitteln kann schwere Verletzungen oder Oxidation verursachen.

Bewahren Sie das Reinigungsmittel außerhalb der Reichweite von Kindern auf.

Lassen Sie den Restdruck ab, bevor Sie den Schlauch vom Produkt abziehen.

Vergewissern Sie sich vor jeder Verwendung und in regelmäßigen Abständen, dass alle Metallverschlüsse fest angezogen und die Komponenten des Produkts in gutem Zustand

sind; untersuchen Sie sie auf gebrochene oder abgenutzte Teile.

Achten Sie auf den Rückschlag: Halten Sie das Gerät mit beiden Händen fest.

WARTUNG EINES DOPPELT ISOLIERTEN GERÄTS

Ein doppelt isoliertes Produkt enthält zwei Isoliersysteme anstelle einer Erdung. Für ein doppelt isoliertes Produkt sind keine Erdungsvorrichtungen enthalten, und das Produkt sollte auch nicht mit Erdungsvorrichtungen versehen werden. Die Wartung eines doppelt isolierten Produkts erfordert äußerste Sorgfalt und Kenntnis des Systems und sollte nur von qualifiziertem Servicepersonal durchgeführt werden. Ersatzteile für ein doppelt isoliertes Produkt müssen mit den Originalteilen identisch sein. Ein doppelt isoliertes Produkt ist mit den Worten „Doppelisolierung“ oder „Doppelt isoliert“ gekennzeichnet.

Restrisiken

Auch wenn Sie dieses Produkt in Übereinstimmung mit allen Sicherheitsanforderungen betreiben, verbleiben potenzielle Risiken von Verletzungen und Schäden. Folgende Gefahren können im Zusammenhang mit dem Aufbau und der Konstruktion dieses Produkts entstehen:

Gesundheitsschäden durch Vibrationsemissionen, wenn das Produkt über einen längeren Zeitraum verwendet oder nicht angemessen verwaltet und gewartet wird.

Gefahr von Verletzungen und Sachschäden, verursacht durch umherfliegende Gegenstände.

Verletzungen und Sachschäden durch zerbrochenes Zubehör oder den plötzlichen Aufprall von versteckten Gegenständen während der Verwendung.

Sicherheitsvorrichtungen

VORSICHT

Sicherheitseinbauten dienen dem Schutz des Benutzers und dürfen nicht verändert oder übergangen werden.

Ein-/Aus-Schalter

Der Geräteschalter verhindert einen unbeabsichtigten Betrieb des Geräts.

Abzugspistole verriegeln

Dieses Schloss verriegelt den Hebel der Abzugspistole und verhindert die unbeabsichtigte Inbetriebnahme des Geräts. Überlaufventil mit.

Wasser, das durch Rohrtrenner geflossen ist, gilt als nicht trinkbar.

Druckschalter

Wenn der Hebel an der Abzugspistole freigegeben wird, schaltet der Druckschalter die Pumpe aus, der Hochdruckstrahl wird gestoppt. Wenn der Hebel gezogen wird, wird die Pumpe erneut eingeschaltet.

Motorschutzschalter

Der Motorschutzschalter schaltet das Gerät aus, wenn der Stromverbrauch hoch ist.

Persönliche Schutzausrüstung

VORSICHT

Tragen Sie Schutzkleidung und eine Schutzbrille, um sich gegen das Zurückspritzen von Wasser oder Schmutz zu schützen.

Bei der Verwendung von Hochdruckreinigern können Aerosole entstehen. Das Einatmen von Aerosolen kann Gesundheitsschäden verursachen.

- Je nach Anwendung können für die Hochdruckreinigung vollständig abgeschirmte

Düsen (z.B. Flächenreiniger) verwendet werden; die die Emission von wässrigen Aerosolen deutlich verringern.

- Die Verwendung einer solchen Abschirmung ist nicht bei allen Anwendungen möglich.

Symbole auf dem Gerät



Der Hochdruckstrahl darf nicht auf Personen, Tiere, stromführende elektrische Geräte oder auf das Gerät selbst gerichtet werden.



Das Gerät darf nicht direkt an das öffentliche Trinkwassernetz angeschlossen werden.



Um sich vor Verletzungen zu schützen, tragen Sie einen Gehörschutz und eine Schutzbrille.



Tragen Sie bei der Verwendung Sicherheitshandschuhe, um Ihre Hände zu schützen.



Tragen Sie rutschfestes Schuhwerk, das Ihre Füße schützt und Ihnen auf rutschigen Oberflächen einen besseren Halt gibt.



Die Stufe der Schalleistung beträgt 92 dB (A)

Bestimmungsgemäßer Gebrauch

Verwenden Sie diesen Hochdruckreiniger nur für Privathaushalte:

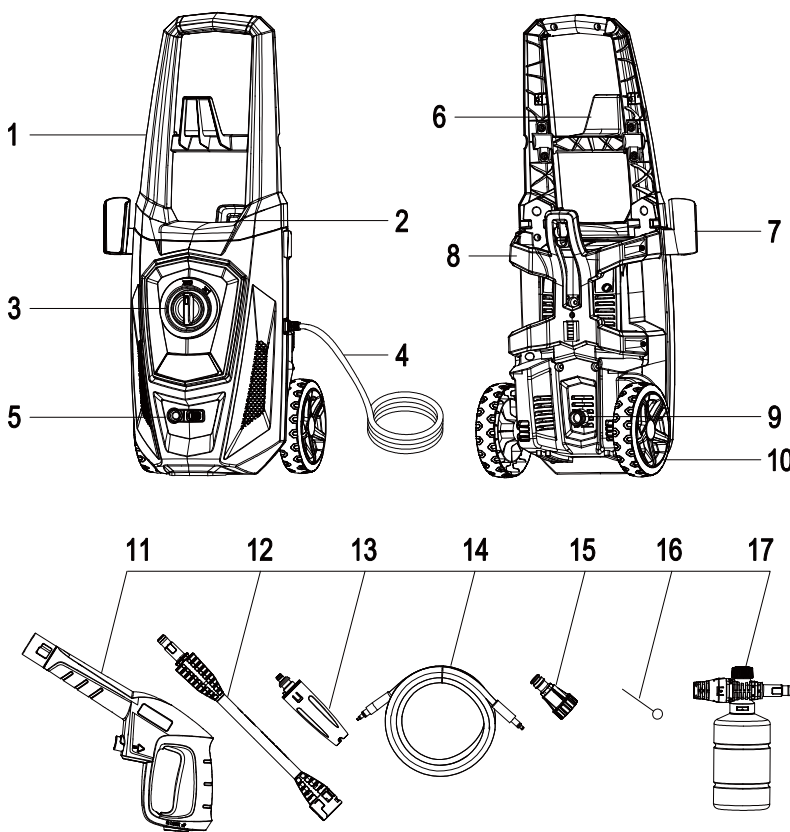
Wenn ein Anschluss an ein Trinkwassersystem erfolgt, muss das System gegen Rückfluss gesichert sein.

Dieser Hochdruckreiniger ist mit einem Nennstrom angegeben. Die bestimmungsgemäße Verwendung dieses Produkts deckt die Reinigung von Fahrzeugen, Gebäuden, Terrassen, Fassaden und Gartengeräten mit sauberem Wasser und biologisch abbaubaren chemischen Reinigungsmitteln ab. Ebenso kann das Produkt zur Reinigung von Pflastersteinen oder Regenrinnen verwendet werden.

Dieses Produkt darf nicht zur Reinigung von Kleidung, Schuhen und anderen Textilien verwendet werden. Der Wasserstrahl darf nicht gegen Personen gerichtet werden. Tiere, elektrische Geräte oder auf das Produkt selbst. Spülen Sie keine Gegenstände, die gesundheitsgefährdende Materialien enthalten. Das Produkt darf nicht mit brennbaren, explosiven und giftigen Flüssigkeiten betrieben werden.

Aus Sicherheitsgründen ist es unerlässlich, vor der ersten Inbetriebnahme die gesamte Bedienungsanleitung zu lesen und alle darin enthaltenen Anweisungen zu beachten.

Beschreibung des Geräts



1. Lenker
2. Haken für das Stromkabel
3. Schalter AUS/EIN einstellen
4. Netzkabel
5. Wassereinlass
6. Haken des Hochdruckschlauchs
7. Abzugspistolenhalter
8. Halter für Sprührohr
9. Wasserauslass
10. Rad
11. Sprühgriff
12. Sprühdüse
13. Düse
14. Hochdruckschlauch
15. Anschluss für den Wasserzulauf
16. Werkzeug zur Düsenreinigung
17. Waschmittelflasche

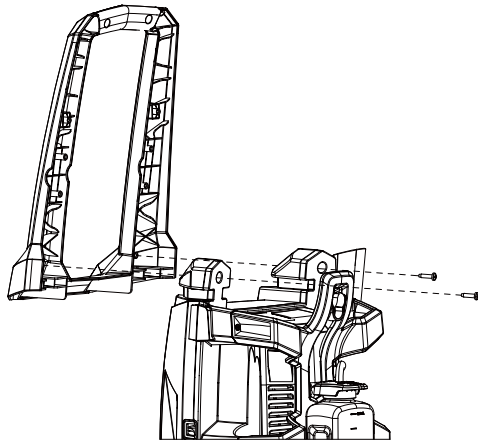
Technical specifications

Spannung	220 V bis 240 V~
Frequenz	50/60Hz
Watt	1.800 W
Schutzklasse	II
Schutzgrad	IPX5
Nennndruck	10MPa
Zulässiger Druck	15MPa
Nennndurchfluss	6,0 L/min
Max. Durchfluss	8,5 L/min
Max. Eingangsdruck:	0,7 Mpa

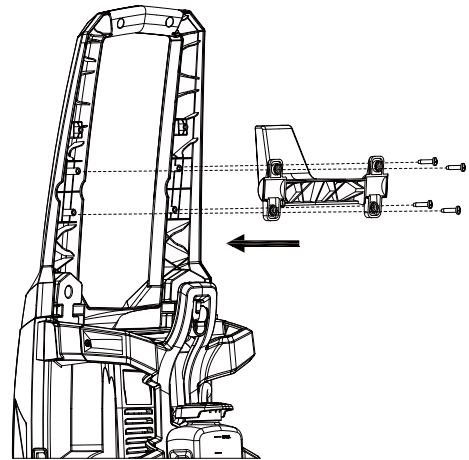
Zusammenbau

Montieren Sie die mit dem Gerät gelieferten losen Teile vor der Inbetriebnahme

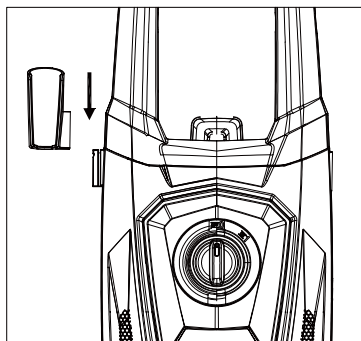
- 1. Installieren Sie den Griff mit zwei Schrauben.**



- 2. Installieren Sie den Haken des Hochdruckschlauch.**



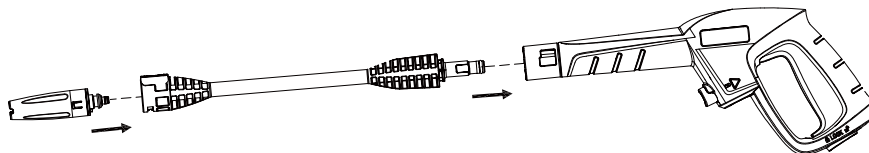
- 3. Schieben Sie den Abzugspistolhalter in die linke Position des Geräts.**



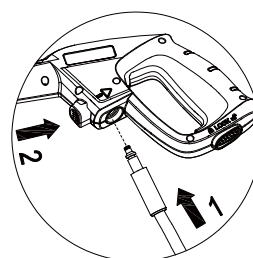
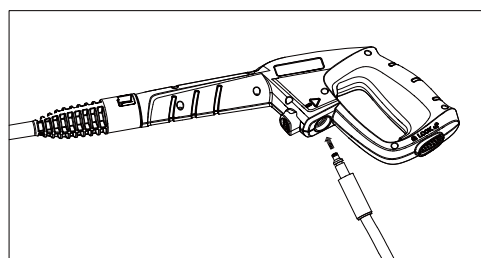
- 4. Installieren Sie das Sprührohr.**

- Setzen Sie das Sprührohr in die Pistole ein und drehen Sie es, bis die beiden Teile vollständig verriegelt sind.

Fügen Sie die gewünschte Düse in die Sprühlanze ein, bis ein 'Klick' zu hören ist.

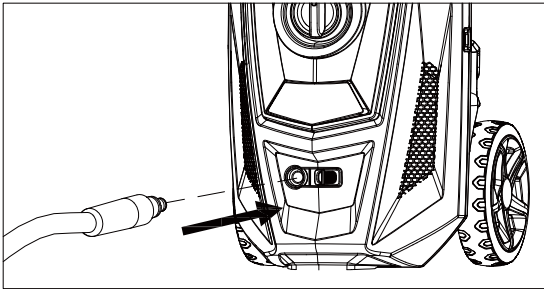


- 5. Schließen Sie den Hochdruckschlauch an die Abzugspistole an.**



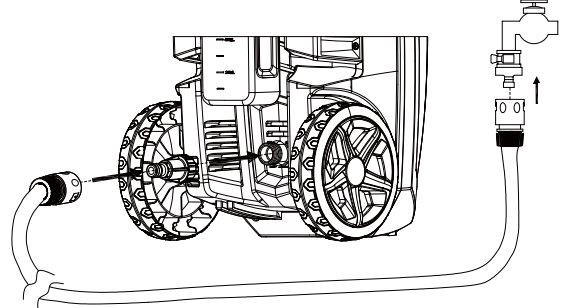
6. Schließen Sie den Hochdruckschlauch an den Wasserauslass an.

Schließen Sie das andere Ende des Hochdruckschlauchs an den Wasserauslass des Reinigers an und drehen Sie dann das schwarze, drehbare Endstück wie angegeben, um die Verbindung sicher zu machen.



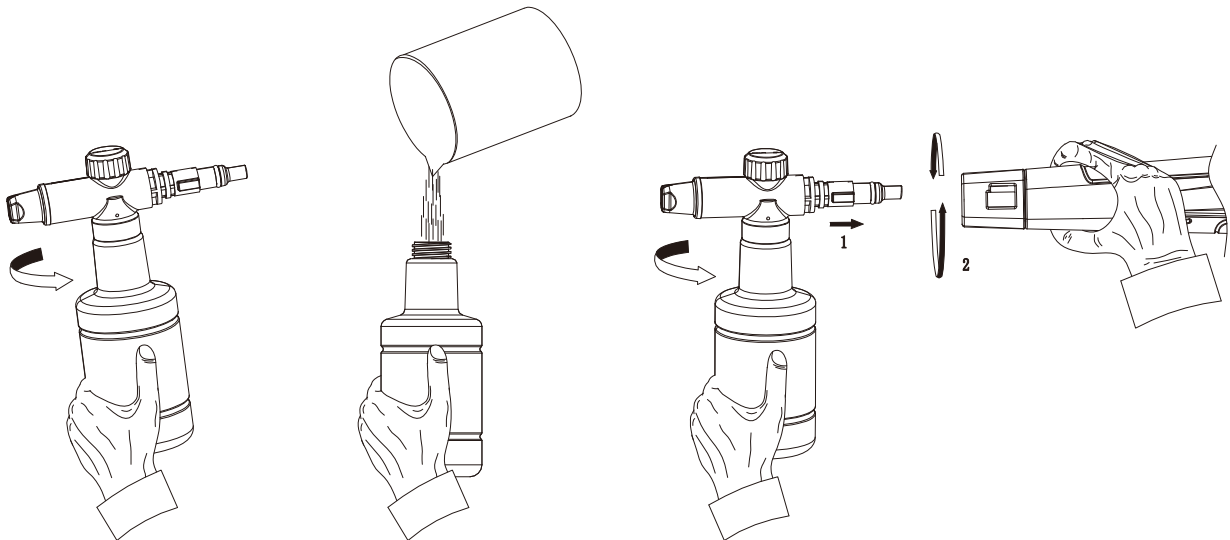
7. Schließen Sie den Gartenschlauch an den Wassereinlass an

Schließen Sie den Gartenschlauchadapter (weibliche Kupplung) an den Wassereinlass des Hochdruckreinigers an (muss festgezogen werden), und schrauben Sie dann Ihren Gartenschlauch (männliches Ende) in den Gartenschlauchadapter. Es muss fest angeschlossen werden, ein Klickgeräusch ist zu hören, sonst kann das Produkt nicht normal Wasser führen.



8. MIT DEM WASCHMITTEL WASCHEN

Entschrauben Sie die Flasche und füllen Sie sie mit dem Waschmittel. Verbinden Sie die Waschmittelflasche mit dem Sprühergriff.



Starten Sie

Stellen Sie das Gerät auf einer ebenen Fläche ab.
Stecken Sie den Netzstecker in die Steckdose ein.

Wasserzufuhr

Anschlusswerte siehe Typenschild.

ACHTUNG

Verunreinigungen im Wasser können die Hochdruckpumpe und das Zubehör beschädigen.

Wasserzufuhr aus der Leitung

Ansaugung von Wasser aus offenen Behältern

Dieser Hochdruckreiniger arbeitet mit dem Saugschlauch und dem Rückflussventil, um Oberflächenwasser anzusaugen. Zum Beispiel aus Regentonnen oder Teichen.

Füllen Sie den Saugschlauch mit Wasser.

Schrauben Sie den Saugschlauch in den Wasseranschluss des Geräts und fügen Sie ihn in die Wasserquelle ein (z.B. Regenwassertonne).

Entlüften Sie das Gerät vor der Verwendung wie folgt

- Schalten Sie das Gerät „AUS/EIN“
- Entriegeln Sie den Hebel der Abzugspistole.
- Schieben Sie den Hebel der Abzugspistole, das Gerät schaltet sich ein.
- Lassen Sie das Gerät laufen (max. 2 Minuten), bis das Wasser blasenfrei aus der Pistole austritt.
- Geben Sie den Hebel der Abzugspistole frei.
- Verriegeln Sie den Hebel der Abzugspistole.

Betrieb

ACHTUNG

Ein Trockenlauf von mehr als 2 Minuten führt zu Schäden an der Hochdruckpumpe. Wenn das Gerät nicht innerhalb von 2 Minuten Druck aufbaut, schalten Sie das Gerät aus und gehen Sie gemäß den Anweisungen im Kapitel „Fehlerbehebung“ vor.

Hochdruckbetrieb

⚠ VORSICHT

Halten Sie einen Abstand von mindestens 30 cm ein, wenn Sie den Strahl zur Reinigung lackierter Oberflächen verwenden, um Beschädigungen zu vermeiden.

⚠ ACHTUNG

Stellen Sie sicher, dass der Ein-/Ausschalter auf „EIN/AUS“ eingestellt ist und fügen Sie den Stecker in eine ordnungsgemäß installierte Steckdose ein.

ACHTUNG

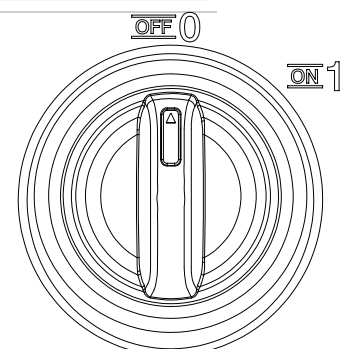
- Der Reiniger muss auf einer sicheren und stabilen Oberfläche in aufrechter Position verwendet werden.

Schließen Sie das Produkt wie beschrieben an die Strom- und Wasserzufuhr an.

- Öffnen Sie die Wasserzufuhr
- Halten Sie die Spritzpistole mit beiden Händen.



- Richten Sie die Düse des gewählten Zubehörs von Ihnen weg auf die zu reinigende Oberfläche.
- Entriegeln Sie den Abzug und drücken Sie ihn, bis eine konstante Menge Wasser durch die Düse fließt, um das Entweichen der im Schlauch eingeschlossenen Luft zu erlauben.
- Lassen Sie den Abzug los.
- Schalten Sie den Schalter „0/1“, ein.



- Halten Sie die Spritzpistole mit beiden Händen. Richten Sie den Wasserstrahl auf das zu reinigende Objekt und drücken Sie den Abzug.

Lassen Sie den Hebel der Abzugspistole los; das Gerät schaltet sich erneut aus und stoppt den Wasserstrahl. Hoher Druck bleibt im System.

WARNUNG! Achten Sie beim Drücken des Abzugs auf den Rückschlag!

Betrieb mit Reinigungsmittel

Reinigungsmittel kann nur zugegeben werden, wenn das Gerät im niedrigen Druckmodus betrieben wird.

GEFAHR

Bei der Verwendung von Reinigungsmitteln ist das Sicherheitsdatenblatt des Reinigungsmittelherstellers zu beachten, insbesondere die Anweisungen zur persönlichen Schutzausrüstung.

Entfernen Sie den Deckel der sauberen Reinigungsmittelflasche. Ziehen Sie den eingebauten Behälter vorsichtig aus seiner Speicherung heraus.

Füllen Sie den Behälter mit Reinigungsmittel, das speziell für die Verwendung mit Hochdruckreinigern entwickelt wurde.

Schieben Sie die Reinigungsmittelflasche mit der Öffnung nach unten in den Anschluss für den Schlauch Reinigungsmittel.

Empfohlene Reinigungsmethode

- Sprühen Sie das Reinigungsmittel sparsam auf die trockene Oberfläche und erlauben Sie ihm, zu reagieren, aber nicht zu trocknen.

Sprühen Sie den gelösten Schmutz mit der Hochdruck-Methode ab

Nach dem Betrieb mit Reinigungsmittel

- Nehmen Sie die schlauchlose Reinigungsmittelflasche aus dem Einlass und verschließen Sie sie mit dem Deckel.
- Legen Sie die Reinigungsmittelflasche zur Aufbewahrung mit dem Deckel nach oben in die Halterung.

Unterbrechung des Betriebs

- Geben Sie den Hebel der Abzugspistole frei.
- Verriegeln Sie den Hebel der Abzugspistole.
- Stellen Sie die Abzugspistole mit der Sprühlanze in die Parkposition.
- Bei längeren Pausen (mehr als 5 Minuten) schalten Sie das Gerät auch mit dem Schalter „0/1“ aus.

Betrieb abschließen

- Geben Sie den Hebel der Abzugspistole frei.
- Schalten Sie das Gerät „0/1“ aus.
- Ziehen Sie den Netzstecker aus der Steckdose.

Trennen Sie den Hochdruckschlauch erst dann von der Abzugspistole oder dem Gerät, wenn kein Druck mehr im System ist.

HAHN ABSTELLEN

- Drücken Sie den Hebel der Abzugspistole, um den Restdruck im System freizugeben.
- Geben Sie den Hebel der Abzugspistole frei.
- Verriegeln Sie den Hebel der Abzugspistole.

ACHTUNG

- Wenn Sie die Versorgung oder den Hochdruckschlauch abtrennen, kann nach dem Betrieb warmes Wasser aus dem Anschluss austreten.
- Trennen Sie das Gerät von der Wasserzufuhr.

Transport

VORSICHT

Gefahr von Verletzungen oder Beschädigungen!
Achten Sie beim Transport auf das Gewicht des Geräts.

Wenn Sie es von Hand transportieren

- Schalten Sie das Produkt aus und trennen Sie es von der Wasser- und Stromversorgung.
- Ziehen Sie den Transportgriff heraus, bis er hörbar einrastet. Bringen Sie den Transportschutz an, falls zutreffend.
- Ziehen Sie das Gerät an seinem Transportgriff.

Beim Transport in Fahrzeugen

- Vor dem horizontalen Transport: Schließen Sie den Deckel der Flasche mit dem sauberen Reinigungsmittel.
- Kippen Sie das Produkt zu sich hin, bis es auf den Rädern liegt. Bewegen Sie es dann an seinem Transportgriff.
- Schützen Sie das Produkt vor schweren Stößen oder starken Erschütterungen, die möglicherweise beim Transport in Fahrzeugen auftreten.
- Sichern Sie das Gerät gegen Verrutschen und Umkippen.

Lagerung

VORSICHT

Gefahr von Verletzungen oder Beschädigungen!
Berücksichtigen Sie das Gewicht des Geräts, wenn Sie es lagern.

Aufbewahren des Geräts

- Stellen Sie das Gerät auf einer ebenen Fläche ab.
- Lösen Sie die Sprühlanze von der Abzugspistole.
- Schieben Sie die Entriegelungstaste an der Pistole und ziehen Sie den Hochdruckschlauch aus der Pistole.
- Legen Sie die Abzugspistole in die Halterung für die Abzugspistole.
- Legen Sie beide Sprühlanzen in die Halterung für die Sprühlanze.
- Schmutzschleifer-Sprühlanze: Die Düse zeigt nach unten.
- Wickeln Sie den Hochdruckschlauch auf und hängen Sie ihn über die Halterung für den Schlauch.
- Bewahren Sie den Netzanschluss im Zubehörfach auf.
- Beachten Sie vor einer längeren Aufbewahrung, wie z.B. im Winter, auch die Anweisungen im Abschnitt Pflege.
- Bewahren Sie den Hochdruckreiniger, die Teile und das Zubehör immer an einem Ort auf, der für Kinder unzugänglich ist. Die ideale Temperatur für die Aufbewahrung liegt zwischen 10 °C und 30 °C. Lagern Sie den Hochdruckreiniger in einem Innenraum, um zu verhindern, dass sich das Wasser im Gerät bei Frost ausdehnt.
- Wir empfehlen, für die Aufbewahrung die Original Verpackung zu verwenden oder das Produkt mit einem geeigneten Tuch oder einer Hülle abzudecken, um es vor Staub zu schützen.

Frostschutz

ACHTUNG

Geräte und Zubehör, die nicht vollständig entleert sind, können durch Frost zerstört werden.

Entleeren Sie das Gerät und das Zubehör vollständig und schützen Sie es vor Frost. Um Schäden zu vermeiden:

- Trennen Sie das Gerät von der Wasserzufuhr.
- Lösen Sie die Sprühlanze von der Abzugspistole.
- Schalten Sie das Gerät auf „0/1“ ein.
- Schieben Sie den Hebel der Abzugspistole, bis kein Wasser mehr austritt.
- Geben Sie den Hebel der Abzugspistole frei.
- Verriegeln Sie den Hebel der Abzugspistole.
- Schalten Sie das Gerät aus „EIN/AUS“.
- Lagern Sie das Gerät und das gesamte Zubehör in einem frostfreien Raum.

Pflege und Wartung

GEFAHR

Gefahr eines Stromschlags

Schalten Sie vor allen Arbeiten am Gerät das Gerät aus und ziehen Sie den Netzstecker.

Hochdruckschlauch

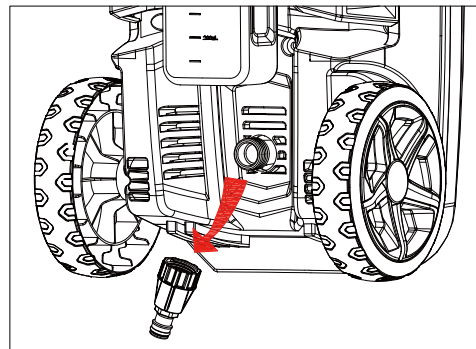
Der Hochdruckschlauch ist speziell mit verstärkten Wänden konstruiert, er kann leicht beschädigt werden und sollte sorgfältig gelagert werden.

- Knicken Sie ihn nicht ab.
- Fahren Sie nicht mit Fahrzeugen über den Schlauch.
- Setzen Sie den Schlauch keinen scharfen Kanten oder Ecken aus. Fehlgebrauch führt zum Aufblähen oder vorzeitigen Versagen und macht die Gewährleistung ungültig.

Reinigen Sie das Sieb im Wasseranschluss

Reinigen Sie das Sieb im Wasseranschluss regelmäßig.

Entfernen Sie die Anschlusskupplung vom Wasseranschluss und spülen Sie sie mit warmem Wasser ab, um zu verhindern, dass die Pumpe durch Fremdkörper verstopft wird.



Reinigen Sie die Düse mit dem mitgelieferten Werkzeug zur Reinigung der Nadel. Nehmen Sie das Sprühhrohr von der Pistole ab. Entfernen Sie jeglichen Schmutz aus der Düsenöffnung und spülen Sie sie aus.



ACHTUNG

- Das Sieb darf nicht beschädigt werden.
- Ziehen Sie das Sieb unter Verwendung einer Flachzange heraus.
- Reinigen Sie das Sieb unter fließendem Wasser.
- Setzen Sie das Sieb wieder in den Wasseranschluss ein.

Fehlersuche

GEFAHR Stromschlaggefahr.

Schalten Sie das Gerät aus und ziehen Sie den Netzstecker, bevor Sie Pflege- und Wartungsarbeiten durchführen. Reparaturarbeiten und Arbeiten an den elektrischen Komponenten dürfen nur von einem autorisierten Kundendienst durchgeführt werden. Kleinere Störungen können Sie mit Hilfe der folgenden Übersicht selbst beheben. Im Zweifelsfall wenden Sie sich bitte an den autorisierten Kundendienst.

Symptom	Ursache	Empfohlenes Vorgehen
Das Gerät lässt sich nicht starten	Maschine nicht eingesteckt Defekte Steckdose Sicherung ist durchgebrannt Defektes Verlängerungskabel	Maschine einstecken Versuchen Sie eine andere Steckdose. Ersetzen Sie die Sicherung. Schalten Sie andere Geräte aus. Versuchen Sie es ohne das Verlängerungskabel.
Schwankender Druck	Pumpe saugt Luft an Ventile verschmutzt, abgenutzt oder verklemmt Pumpendichtungen verschlissen	Prüfen Sie, ob die Schläuche und Anschlüsse luftdicht sind. Reinigen und ersetzen Sie sie oder wenden Sie sich an Ihren Vertriebspartner vor Ort. Reinigen und ersetzen Sie sie oder wenden Sie sich an Ihren Vertriebspartner vor Ort.

Maschine stoppt	Falsche Netzspannung Thermosensor aktiviert Düse teilweise verstopft	Prüfen Sie, ob die Spannung mit den Daten auf dem Typenschild übereinstimmt. Lassen Sie den Reiniger 5 Minuten lang abkühlen. Reinigen Sie die Düse
Maschine pulsiert	Luft im Zulaufschlauch Unzureichende Versorgung mit Leitungswasser Düse teilweise verstopft Wasserfilter verstopft Schlauch geknickt	Erlauben Sie der Maschine, mit offenem Abzug zu arbeiten, bis der normale Arbeitsdruck wiederhergestellt ist. Prüfen Sie, ob die Wasserzufuhr den erforderlichen Daten entspricht ACHTUNG! Vermeiden Sie die Verwendung langer, dünner Schläuche (min. 1/2 Zoll). Reinigen Sie die Düse /Reinigen Sie den Filter Richten Sie den Schlauch gerade.
Die Maschine startet, aber es kommt kein Wasser heraus	Pumpe/Schläuche oder Zubehör eingefroren Keine Wasserzufuhr Wasserfilter verstopft /Düse verstopft	Warten Sie, bis die Pumpe/die Schläuche oder das Zubehör aufgetaut sind. Schließen Sie den Wasserzulauf an. Reinigen Sie den Filter /Reinigen Sie die Düse

Zubehör

Im Lieferumfang dieses Produkts ist eine Auswahl an Zubehör enthalten. Bitte überprüfen Sie die technischen Daten des von Ihnen gekauften Zubehörs, um sicherzustellen, dass es mit diesem Produkt kompatibel ist.

Wenn Sie Fragen haben, wenden Sie sich bitte an unser Kundendienstzentrum.

Unsere Kontaktdaten stehen unten:



0049-0(40)-88307530



service@aosom.de

Importeur/Hersteller/REP:

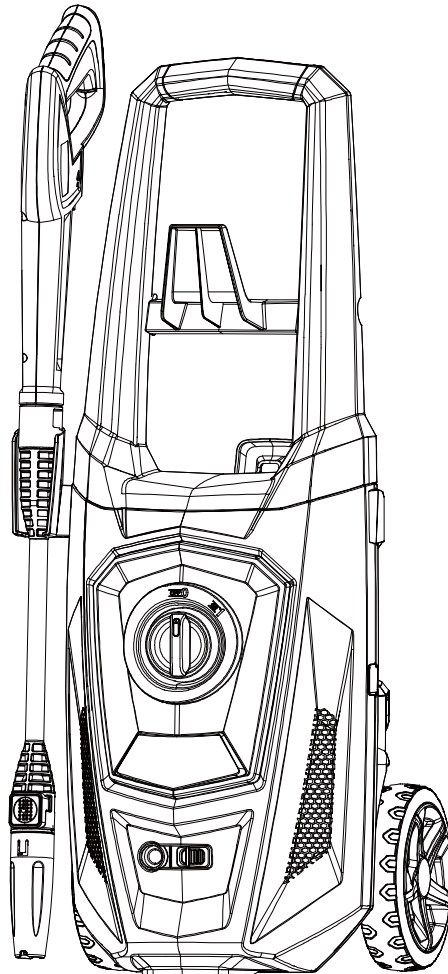
MH Handel GmbH

Wendenstraße 309

D-20537 Hamburg

Germany

IN CHINA HERGESTELLT



Lavadora de alta presión



IMPORTANTE, LEA Y GUARDE PARA FUTURAS REFERENCIAS.

Manual del usuario

INSTRUCCIONES DE SEGURIDAD IMPORTANTES

GUARDE ESTAS INSTRUCCIONES



Lea y cumpla con estas instrucciones originales antes de la operación inicial de su electrodoméstico y guárdelas para su uso posterior o para propietarios posteriores. Aparte de las notas contenidas en este documento, se deben observar las disposiciones generales de seguridad y las reglas para la prevención de accidentes del legislador. Las advertencias y notas que se adjuntan en el aparato proporcionan notas importantes para el funcionamiento seguro.

Niveles de peligro

PELIGRO

Indicador de peligro inmediato, si no se evita, que conduce a lesiones graves o la muerte.

ADVERTENCIA

Señale una situación posiblemente peligrosa, si no se evita, que puede provocar lesiones graves o la muerte.

CAUTELA

Señale una situación posiblemente peligrosa, si no se evita, que puede provocar lesiones leves.

ATENCIÓN

Señale una situación posiblemente peligrosa, que puede provocar daños a la propiedad.

Componentes eléctricos

PELIGRO

Riesgo de descarga eléctrica.

Nunca toque el enchufe de red y la toma de corriente con las manos mojadas.

Compruebe si el cable de alimentación con el enchufe de red está dañado antes de cada uso. No utilice la máquina si un cable de alimentación o partes importantes de la máquina están dañados, por ejemplo, dispositivos de seguridad, mangueras de alta presión, pistola de gatillo.

Todas las partes conductoras de corriente en el área de trabajo deben estar protegidas contra el agua de chorro.

El enchufe de red y el acoplamiento de un cable de extensión deben ser herméticos y nunca deben estar en el agua. Además, el acoplamiento nunca puede estar en el suelo. Se elogia el uso de carretes de cable que aseguran que los enchufes estén al menos a 60 mm del suelo .

Asegúrese de que el cable de alimentación o el cable de extensión no estén dañados al atropellar, pellizcar, arrastrar o similares. Proteja los cables de alimentación del calor, el aceite y los bordes afilados.

Apague siempre el interruptor de desconexión de la red eléctrica cuando deje el aparato desatendido.

ADVERTENCIA

El aparato solo se puede conectar a un suministro eléctrico que haya sido instalado por un electricista de acuerdo con IEC 60364.

El aparato solo se puede conectar a corriente alterna. El voltaje debe corresponder con la placa de características del aparato.

Por razones de seguridad, le recomendamos que utilice el aparato únicamente a través de un dispositivo de corriente residual (máx. 30 mA).

Un cable de extensión eléctrica inadecuado puede ser peligroso. Utilice únicamente un cable de extensión eléctrica que haya sido aprobado y etiquetado para este propósito y que tenga una sección transversal de cable adecuada en exteriores: 1 - 10 m: 1,5 mm²; 10 - 30 m: 2,5 mm²

Desenrolle siempre completamente el cable de extensión del tambor de cable.

Un cable de extensión eléctrica inadecuado puede ser peligroso.

Manejo seguro

PELIGRO

El usuario debe ser el dispositivo según lo previsto. La persona debe tener en cuenta las condiciones locales y debe prestar atención a otras personas en las inmediaciones cuando trabaje con el aparato.

Revise los componentes importantes, como la manguera de alta presión, la pistola rociadora manual y las instalaciones de seguridad, para ver si están dañados antes de cada operación. Reemplace inmediatamente los componentes dañados. No opere el aparato con componentes dañados.

El aparato ha sido diseñado para su uso con el agente de limpieza suministrado o recomendado por el fabricante. El uso de otros agentes de limpieza o productos químicos puede afectar negativamente a la seguridad del aparato.

Los chorros de alta presión pueden ser peligrosos si se utilizan indebidamente. El chorro no debe dirigirse a personas, equipos eléctricos activos o a la máquina en sí.

No dirija el chorro contra usted o contra otras personas con el fin de limpiar la ropa o el calzado.

No utilice el aparato dentro del alcance de las personas a menos que usen ropa protectora.

Use el equipo de protección personal (EPP) adecuado mientras opera el aparato.

No dirija el chorro contra usted o contra otras personas con el fin de limpiar la ropa o el calzado.

ADVERTENCIA

El aparato no debe ser operado por niños o personal no capacitado.

Este aparato no está diseñado para ser utilizado por personas (incluidos niños) con capacidades físicas, sensoriales o mentales reducidas, o que carezcan de experiencia y conocimiento.

Los niños no deben jugar con este aparato.

Supervise a los niños para evitar que jueguen con el aparato.

Cree estabilidad para el electrodoméstico antes de cualquier trabajo en o con el electrodoméstico para evitar accidentes, daños.

El chorro de agua que se emite desde la boquilla de alta presión da como resultado un poder de repulsión que actúa sobre la pistola de pulverización manual. Asegúrese de tener una base firme y también de sujetar firmemente la pistola rociadora manual y la lanza rociadora.

Nunca deje el aparato desatendido mientras esté en funcionamiento.

ATENCIÓN

En caso de interrupciones prolongadas, apague el aparato en el interruptor principal o desconecte el enchufe de red.

No haga funcionar el aparato a temperaturas inferiores a 0°C

Otros riesgos

PELIGRO

El aparato no puede funcionar en atmósferas explosivas.

Riesgo de explosión: no rocíe líquidos inflamables.

¡Nunca aspire líquidos que contengan solventes o ácidos y solventes sin diluir! Esto incluye gasolina, diluyente de pintura y gasóleo de calefacción. La niebla de pulverización es altamente inflamable, explosiva y venenosa. No utilice acetona, ácidos sin diluir y disolventes, ya que corroen los materiales utilizados en el aparato.

Nunca utilice el producto con líquidos inflamables o tóxicos, o líquidos con características incompatibles con su correcto funcionamiento.

Mantenga las películas de embalaje fuera del alcance de los niños, ¡existe el riesgo de asfixia!

ADVERTENCIA

De acuerdo con la normativa aplicable, el aparato nunca debe utilizarse en la red de agua potable sin un separador del sistema. Asegúrese de que la conexión de la instalación de agua de su edificio en la que se opera el limpiador de alta presión esté equipada con un separador de sistema de conformidad con

El agua que ha volado a través de los dispositivos de prevención de reflujo se considera no potable.

Las mangueras, accesorios y acoplamientos de alta presión son importantes para la seguridad del aparato. Utilice únicamente mangueras, accesorios y acoplamientos de alta presión recomendados por el fabricante.

Para garantizar la seguridad aplicable, utilice únicamente piezas de repuesto originales del fabricante o aprobadas por el fabricante.

Apague el producto y desconéctelo de la fuente de alimentación retirando el enchufe de alimentación de la toma de corriente antes del montaje, la limpieza, los ajustes, el mantenimiento, el almacenamiento y el transporte o la conversión del producto a otra función.

CAUTELA

Tenga en cuenta el peso del aparato al seleccionar el lugar de almacenamiento y durante el transporte para evitar accidentes o lesiones.

Varias horas de uso continuo del aparato pueden provocar entumecimiento de las manos en casos raros.

- Use guantes.
- Mantén las manos calientes.
- Tome descansos a intervalos regulares. Trabajar con detergente.

ADVERTENCIA

El uso inadecuado de detergentes puede causar lesiones graves u oxidación.

Guarde el producto de limpieza fuera del alcance de los niños.

Descargue la presión residual antes de desconectar la manguera del producto.

Verifique antes de cada uso, y a intervalos regulares, que todos los sujetadores metálicos estén apretados y que los componentes del producto estén en buenas condiciones; inspeccione si hay piezas rotas o desgastadas.

Tenga cuidado con el contragolpe: Sostenga con ambas manos.

MANTENIMIENTO DE UN APARATO CON DOBLE AISLAMIENTO

En un producto con doble aislamiento, se proporcionan dos sistemas de aislamiento en lugar de conexión a tierra. No se proporcionan medios de conexión a tierra para un producto con doble aislamiento, ni se deben agregar medios de conexión a tierra al producto. El mantenimiento de un producto con doble aislamiento requiere un cuidado y un conocimiento extremos del sistema, y solo debe ser realizado por personal de servicio calificado. Las piezas de repuesto para un producto con doble aislamiento deben ser idénticas a las piezas originales. Un producto con doble aislamiento está marcado con las palabras "Doble aislamiento" o "Doble aislamiento".

Riesgos residuales

Incluso si está operando este producto de acuerdo con todos los requisitos de seguridad, persisten riesgos potenciales de lesiones y daños. Los siguientes peligros pueden surgir en relación con la estructura y el diseño de este producto:

Defectos de salud derivados de la emisión de vibraciones si el producto se utiliza durante largos periodos de tiempo o no se gestiona y mantiene adecuadamente.

Peligro de lesiones y daños a la propiedad causados por objetos voladores.

Lesiones y daños a la propiedad debido a accesorios rotos o el impacto repentino de objetos ocultos durante el uso.

Dispositivos de seguridad

CAUTELA

Las instalaciones de seguridad sirven para la protección del usuario y no pueden ser modificadas ni pasadas.

Interruptor de encendido

El interruptor del aparato evita el funcionamiento involuntario del aparato.

Pistola de gatillo de bloqueo

Esta cerradura bloquea la palanca de la pistola de disparo y evita el arranque involuntario del aparato. Válvula de rebose con.

El agua que ha fluido a través de los dispositivos de prevención de reflujo se considera no potable.

Presostato

Si se suelta la palanca de la pistola de gatillo, el interruptor de presión apaga la bomba y el chorro de alta presión se detiene. Si se tira de la palanca, la bomba se vuelve a encender.

Interruptor de protección del motor

La protección del motor apaga el dispositivo si el consumo de energía es alto.

Equipo de protección personal

CAUTELA

Use ropa protectora y gafas de seguridad para protegerse contra salpicaduras que contengan agua o suciedad.

Durante el uso de limpiadores de alta presión, pueden desarrollarse aerosoles. La inhalación de aerosoles puede causar daños a la salud.

- Dependiendo de la aplicación, se pueden utilizar boquillas completamente blindadas (por ejemplo, limpiador de superficies) que reducen significativamente la emisión de aerosoles acuosos para la limpieza a alta presión.
- El uso de dicho blindaje no es posible con todas las aplicaciones.

Símbolos en la máquina



El chorro de alta presión no debe dirigirse a personas, animales, equipos eléctricos activos o al propio aparato.



El aparato no debe estar conectado directamente a la red pública de agua potable.



Para protegerse contra lesiones, use protectores auditivos y gafas de seguridad.



Use guantes de seguridad durante el uso para proteger las manos.



Use calzado antideslizante que proteja sus pies y mejore su equilibrio en superficies resbaladizas.



El nivel de potencia sonora es de 92 dB(A)

Uso adecuado

Utilice esta lavadora a presión solo para hogares privados:

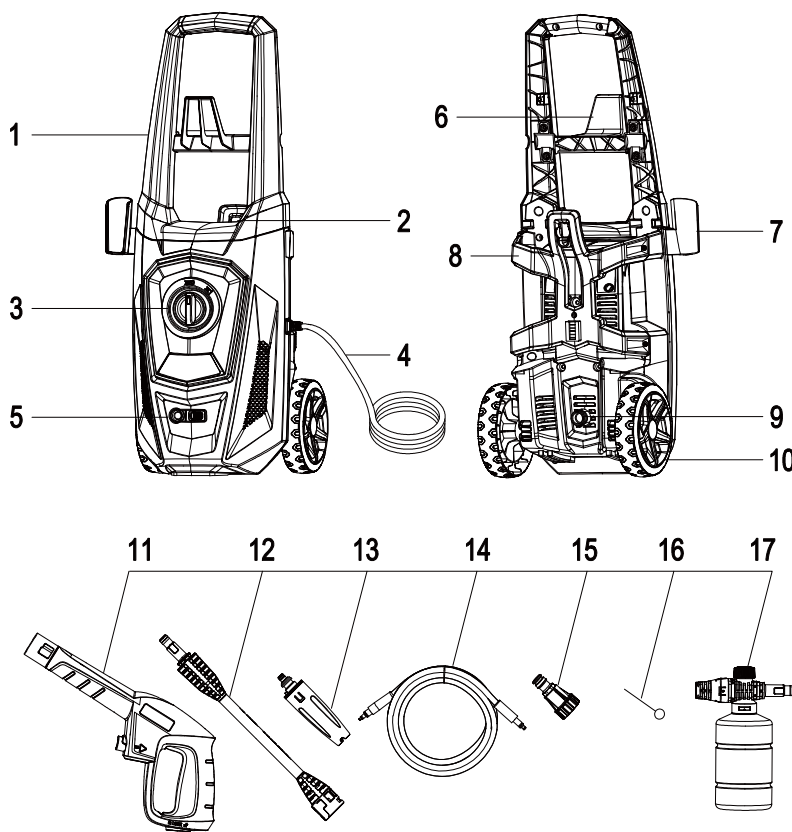
Si la conexión se realiza a un sistema de agua potable, el sistema debe estar protegido contra el reflujo.

Este limpiador de alta presión está diseñado con una corriente de entrada nominal. El uso previsto de este producto abarca la limpieza de vehículos, edificios, terrazas, fachadas y equipos de jardinería utilizando agua limpia y detergentes químicos biodegradables. Asimismo, el producto se puede utilizar para limpiar losas de pavimento o canaletas de lluvia.

Este producto no se puede utilizar para limpiar ropa, zapatos y otros textiles. El chorro de agua no debe dirigirse contra personas. Animales, cualquier equipo eléctrico o en el propio producto. No tire al inodoro ningún objeto que contenga materiales peligrosos para la salud. El producto no debe funcionar con líquidos inflamables, explosivos y tóxicos.

Por razones de seguridad, es esencial leer todo el manual de instrucciones antes de la primera operación y observar todas las instrucciones que contiene.

Descripción del aparato



1. Mango
2. Gancho del cable de alimentación
3. Ajuste el interruptor de apagado/encendido
4. Cable de alimentación
5. Entrada de agua
6. Gancho de manguera de alta presión
7. Soporte de pistola de gatillo
8. Soporte de varilla rociadora
9. Salida de agua
10. Rueda
11. Mango de rociado
12. Lanza rociadora
13. Boquilla
14. Manguera de alta presión
15. Conector de entrada de agua
16. Herramienta de limpieza de boquillas
17. Botella de detergente

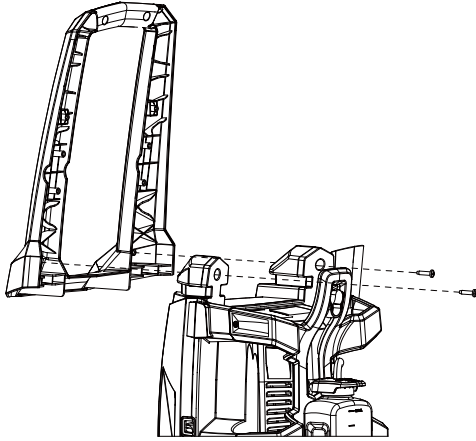
Especificaciones técnicas

Voltaje	220V-240V~
Frecuencia	50/60 Hz
Vatio	1800W
Clase de protección	II
Grado de protección	IPX5
Presión nominal	10MPa
Presión admisible	15MPa
Caudal nominal	6.0 L/min
Caudal máx.	8.5 L/min
Presión máx. de entrada:	0.7Mp

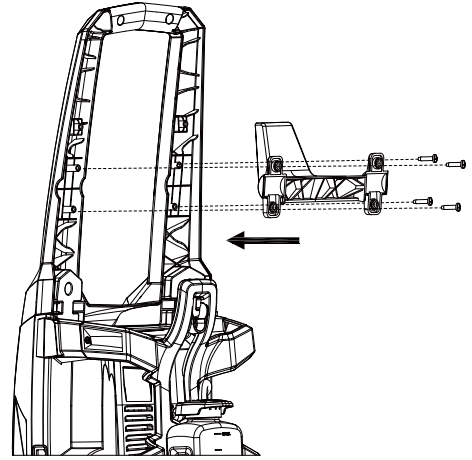
Ensamblaje

Monte las piezas sueltas entregadas con el aparato antes de la puesta en marcha

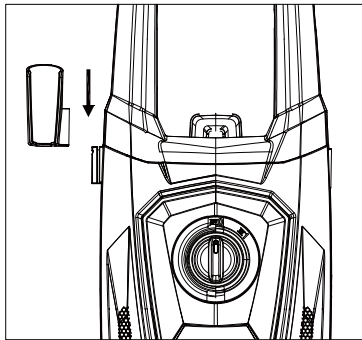
1. Instalar el mango con dos tornillos.



2. Instalación del gancho de manguera de alta presión.



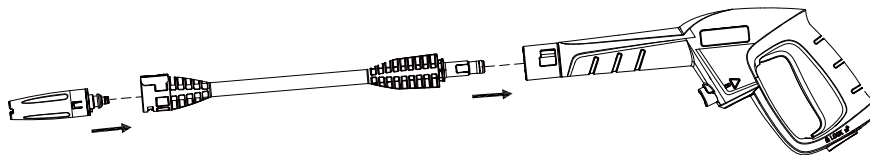
3. Deslice el soporte de la pistola de gatillo a la posición izquierda de la unidad.



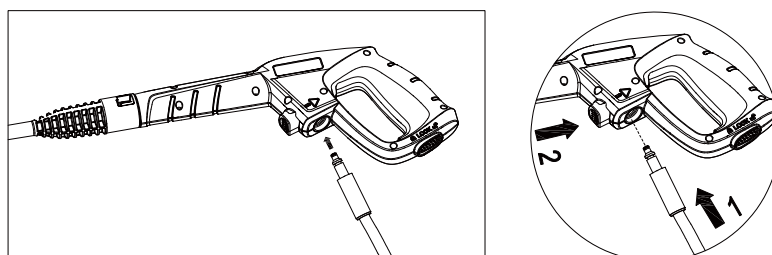
4. Instalación de la varilla rociadora

- Coloque la varilla rociadora en la pistola y gírela hasta que las dos partes estén completamente bloqueadas.

Inserte la boquilla deseada en la lanza rociadora hasta que se escuche un "clic".

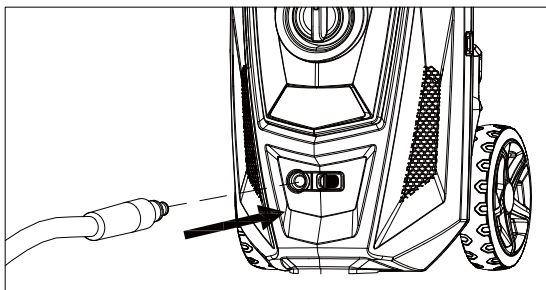


5. Conecte la manguera de alta presión a la pistola de gatillo



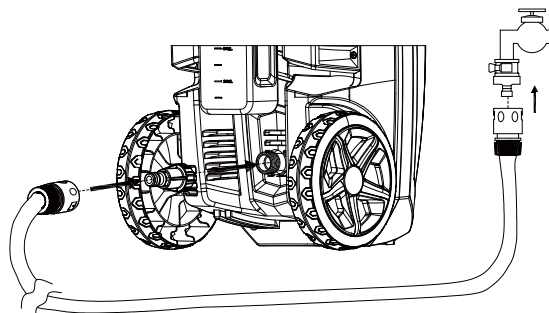
6. Conecte la manguera de alta presión a la salida de agua

Conecte el otro extremo de la manguera de alta presión a la salida de agua de la lavadora y gire la pieza giratoria negra como se indica para asegurar la conexión.



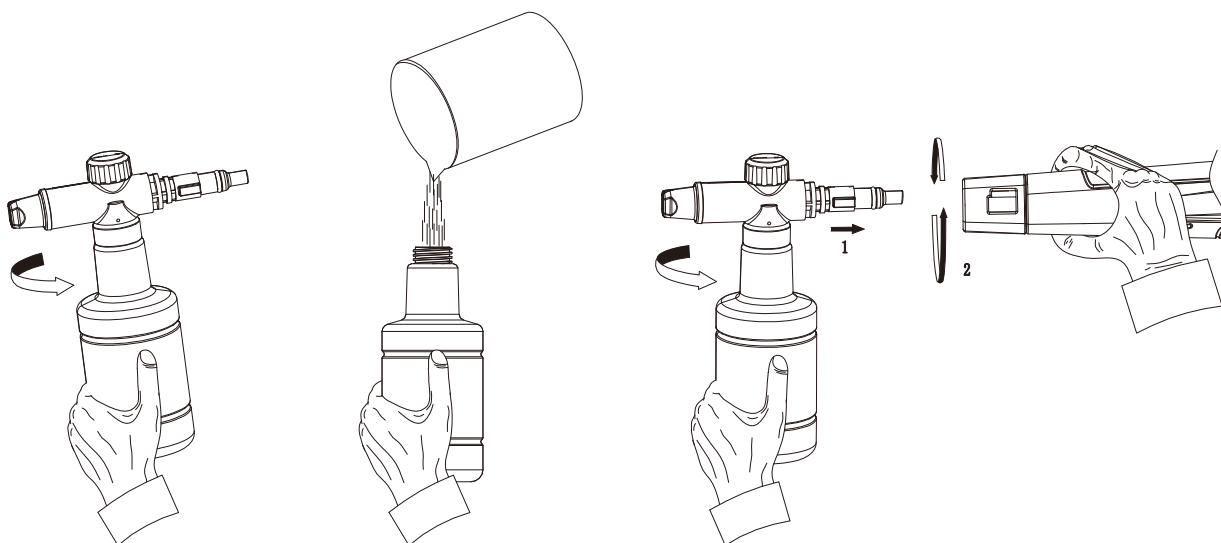
7. Conecte la manguera de jardín a la entrada de agua

Conecte el adaptador de manguera de jardín (acoplador hembra) a la entrada de agua de la lavadora a presión (necesita apriete), luego enrosque su manguera de jardín (extremo macho) en el adaptador de manguera de jardín. Es necesario enchufar herméticamente, escuchar el sonido de clic, de lo contrario, el producto normalmente no puede regar.



8. TO LAVAR CON DETERGENTE

Enrosca la botella y llénala con detergente. Conecte la botella de detergente al mango del rociador.



Inicializar

Estacione el aparato sobre una superficie uniforme.

Inserte el enchufe de red en la toma de corriente.

Abastecimiento de agua

Para conocer los valores de conexión, consulte la placa de características.

ATENCIÓN

Las impurezas en el agua pueden dañar la bomba de alta presión y los accesorios.

Suministro de agua desde la red.

Extracción de agua de los embalses abiertos.

Esta limpiadora de alta presión es adecuada para trabajar con la manguera de aspiración

YILI con valle de reflujo para aspirar aguas superficiales, por ejemplo, de colillas de agua o estanques.

Llene la manguera de succión con agua.

Atornille la manguera de succión en la conexión de agua del aparato e insértela en la fuente de agua (por ejemplo, tambor de agua de lluvia).

Antes de usarlo, purgue el dispositivo de la siguiente manera:

- Encienda el aparato "APAGADO/ENCENDIDO"
- Desbloquee la palanca de la pistola de gatillo.
- Presione la palanca de la pistola de gatillo, el dispositivo se encenderá.
- Deje que el dispositivo funcione (máx. 2 minutos) hasta que el agua salga de la pistola de gatillo sin burbujas.
- Suelte la palanca de la pistola de gatillo.
- Bloquee la palanca de la pistola de gatillo.

Operación

ATENCIÓN

El funcionamiento en seco de más de 2 minutos provoca daños en la bomba de alta presión. Si el aparato no acumula presión en 2 minutos, apague el aparato y proceda de acuerdo con las instrucciones del capítulo "Solución de problemas".

Hochdruckbetrieb

⚠ CAUTELA

Mantenga una distancia de al menos 30 cm cuando utilice el chorro para limpiar superficies pintadas para evitar daños.

⚠ PRECAUCIÓN

Asegúrese de que el interruptor de encendido/apagado esté en la posición "OFF/ON" e inserte el enchufe en una toma de corriente instalada correctamente.

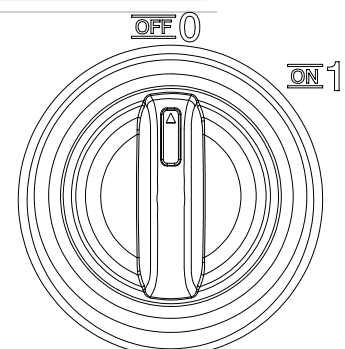
ATENCIÓN

- La arandela debe utilizarse sobre una superficie segura y estable en posición vertical y de pie.
Conecte el producto a la alimentación y al suministro de agua como se describe.

- Abrir el suministro de agua
- Sujete la pistola rociadora con ambas manos.



- Dirija la boquilla del accesorio elegido lejos de usted hacia la superficie a limpiar.
- Desbloquee el gatillo y presiónelo hasta que una cantidad constante de agua fluya a través de la boquilla, para permitir que escape el aire atrapado en la manguera.
- Suelte el gatillo.
- Encienda el interruptor "0/1".



- Sujete la pistola rociadora con ambas manos. Dirija el chorro de agua al objeto a limpiar y presione el gatillo.

Suelte la palanca de la pistola del gatillo; El dispositivo se apagará de nuevo y detendrá el chorro de agua. La alta presión permanece en el sistema.

¡ADVERTENCIA! ¡Cuidado con el contragolpe al presionar el gatillo!

Funcionamiento con detergente

El detergente solo se puede agregar cuando el dispositivo funciona en modo de baja presión.

PELIGRO

Al utilizar detergentes, se debe cumplir con la hoja de datos de seguridad del material emitida por el fabricante del detergente, especialmente las instrucciones sobre el equipo de protección personal.

Retire la tapa de la botella de detergente limpia. Tire suavemente del tanque de detergente integrado para sacarlo de su posición de almacenamiento.

Llene el tanque con detergente diseñado específicamente para su uso con lavadoras a presión.

Empuje la botella de detergente con la abertura apuntando hacia abajo en la conexión para limpiar la manguera de detergente.

Método de limpieza recomendado

- Rocíe el detergente con moderación sobre la superficie seca y deje que reaccione, pero no que se seque.
- Rocíe la suciedad suelta con el Met de alta presión.

Después de la operación con detergente

- Retire la botella de detergente limpia con manguera de la entrada y ciérrela con la tapa.
- Para el almacenamiento, coloque la botella de detergente en el retenedor con la tapa hacia arriba.

Interrupción de la operación

- Suelte la palanca de la pistola de gatillo.
- Bloquee la palanca de la pistola de gatillo.
- Coloque la pistola de gatillo con la lanza rociadora en la posición de estacionamiento.
- Durante los descansos más largos (más de 5 minutos), apague también el aparato con el interruptor "0/1".

Finalizar la operación

- Suelte la palanca de la pistola de gatillo.
- Apague el aparato "0/1".
- Desconecte el enchufe de red de la toma de corriente.

Solo separe la manguera de alta presión de la pistola de gatillo o del dispositivo cuando no haya presión en el sistema.

APAGAR EL GRIFO

- Presione la palanca de la pistola de gatillo para liberar cualquier presión restante en el sistema.
- Suelte la palanca de la pistola de gatillo.
- Bloquee la palanca de la pistola de gatillo.

ATENCIÓN

- Al desconectar el suministro o la manguera de alta presión, es posible que se filtre agua caliente de la conexión después del funcionamiento.
- Desconecte el aparato del suministro de agua.

Transporte

CAUTELA

¡Riesgo de lesiones personales o daños!

Tenga en cuenta el peso del aparato durante el transporte.

Cuando se transporta a mano

- Apague el producto y desconéctelo de la red de agua y alimentación.
- Extraiga el asa de transporte hasta que encaje de forma audible en su lugar. Coloque protectores de transporte, si corresponde.
- Tire del aparato por el asa de transporte.

Al transportar en vehículos

- Antes del transporte horizontal: cierre el tapón de la botella de detergente limpio.
- Incline el producto hacia usted hasta que se equilibre sobre las ruedas. Luego muévalo por su asa de transporte.
- Proteger el producto de cualquier impacto fuerte o vibraciones fuertes que puedan ocurrir durante el transporte en vehículos.
- Asegure el aparato para que no se mueva ni se vuelque.

Almacenamiento

CAUTELA

¡Riesgo de lesiones personales o daños!

Tenga en cuenta el peso del electrodoméstico al almacenarlo.

Almacenamiento del aparato

- Estacione la máquina sobre una superficie plana.
- Separe la lanza rociadora de la pistola de gatillo.
- Presione el botón de desconexión de la pistola de gatillo y extraiga la manguera de alta presión de la pistola de gatillo.
- Coloque la pistola de gatillo en el almacenamiento de la pistola de gatillo.
- Coloque ambas lanzas rociadoras en el almacenamiento de la lanza rociadora.
- Lanza pulverizadora de suciedad: Boquilla hacia la parte inferior.
- Enrolle la manguera de alta presión y cuélguela sobre el almacenamiento de mangueras.
- Guarde la conexión de red en el compartimento de accesorios.
- Antes de períodos de almacenamiento prolongados, como durante el invierno, observe también las instrucciones en la sección de cuidados.
- Guarde siempre la limpiadora a presión, las piezas y los accesorios en un lugar inaccesible para los niños. La temperatura ideal de almacenamiento es entre 10 °C y 30 °C. Guarde la hidrolavadora en el interior para evitar que el agua de la unidad se expanda en condiciones de congelación.
- Recomendamos utilizar el embalaje original para el almacenamiento o cubrir el producto con un paño o carcasa adecuada para protegerlo contra el polvo.

Protección contra heladas

ATENCIÓN

Los electrodomésticos y accesorios que no estén completamente drenados pueden ser destruidos por las heladas.

Drene completamente el aparato y los accesorios y protéjalos contra las heladas. Para evitar daños:

- Desconecte el aparato del suministro de agua.
- Separe la lanza rociadora de la pistola de gatillo.
- Encienda el aparato "0/1".
- Empuje la palanca de la pistola del gatillo hasta que no se escape más agua.
- Suelte la palanca de la pistola de gatillo.
- Bloquee la palanca de la pistola de gatillo.
- Apague el aparato "ON/OFF".
- Guarde el aparato y todos los accesorios en una habitación libre de heladas.

Cuidado y mantenimiento

PELIGRO

Riesgo de descarga eléctrica

Antes de realizar todos los trabajos en el aparato, apague el aparato y desconecte el enchufe de alimentación.

Manguera de alta presión

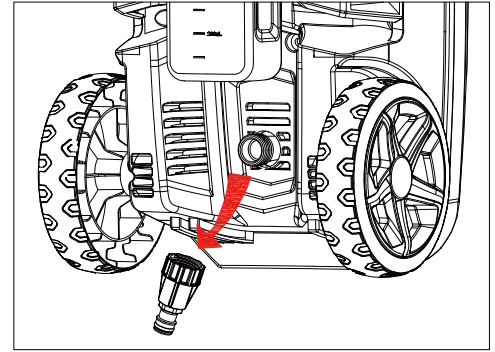
La manguera de alta presión está especialmente construida con paredes reforzadas, puede dañarse fácilmente y debe almacenarse con cuidado.

- No se retuerza.
- No conduzca vehículos sobre la manguera.
- No exponga la manguera a bordes o esquinas afiladas. El mal uso provocará un aumento o una falla prematura e invalidará la garantía.

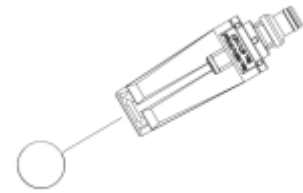
Limpiar el tamiz en la conexión de agua

Limpiar el tamiz en la conexión de agua con regularidad.

Retire el acoplamiento de la conexión de agua y enjuague con agua tibia para evitar que cualquier materia extraña obstruya la bomba.



Limpiar la boquilla con la herramienta de limpieza de agujas provista. Retire la varilla rociadora de la pistola. Retire la suciedad del orificio de la boquilla y enjuague.



ATENCIÓN

- El tamiz no debe estar dañado.
- Saque el tamiz con unos alicates planos.
- Limpie el tamiz con agua corriente.
- Vuelva a insertar el tamiz en la conexión de agua.

Solución de problemas

PELIGRO Riesgo de temblor eléctrico.

Apague el aparato y retire el enchufe principal antes de realizar cualquier trabajo de cuidado y mantenimiento. Los trabajos de reparación y los trabajos en los componentes eléctricos no solo pueden ser realizados por un servicio de atención al cliente autorizado. Puede rectificar usted mismo los fallos menores con la ayuda de la siguiente descripción general. En caso de duda, consulte al servicio de atención al cliente autorizado.


Síntoma	Causa	Acción recomendada
La máquina se niega a empezar	Máquina no enchufada Zócalo defectuoso El fusible se ha fundido Cable de extensión defectuoso	Máquina enchufable Pruebe con otro enchufe. Reemplace el fusible. Apague otras máquinas. Pruebe sin el cable de extensión.
Presión fluctuante	Bomba de aspiración de aire Válvulas sucias, desgastadas o atascadas Sellos de la bomba desgastados	Compruebe que las mangueras y las conexiones sean herméticas. Limpie y reemplace o consulte al distribuidor local Limpie y reemplace o consulte al distribuidor local

Paradas de la máquina	Tensión de red incorrecta Sensor térmico activado Boquilla parcialmente bloqueada	Compruebe que la tensión de red se corresponde con las especificaciones de la etiqueta del modelo. Deje que la lavadora se enfríe durante 5 minutos. Limpie la boquilla
Máquina pulsante	Aire en la manguera de entrada Suministro inadecuado de agua de red Boquilla parcialmente bloqueada Filtro de agua bloqueado Manguera doblada	Permita que las máquinas funcionen con los gatillos abiertos hasta que se reanude la presión de trabajo normal. Verifique que el suministro de agua corresponda a las especificaciones requeridas. ¡NB! Evite usar mangueras largas y delgadas (mín. 1/2"). Limpie la boquilla / Limpie el filtro. Enderece la manguera.
La máquina arranca, pero no sale agua	Bomba/mangueras o accesorios congelados Sin suministro de agua Filtro de agua bloqueado / Boquilla bloqueada	Espere a que la bomba/mangueras o el accesorio se descongelen. Conecte el agua de entrada. Limpiar el filtro /Limpiar la boquilla

Accesorios

En el marco de la entrega de este producto se suministra una selección de accesorios. Compruebe las especificaciones técnicas de los accesorios que compre para asegurarse de que son compatibles con este producto.

Si tiene alguna pregunta, comuníquese con nuestro Centro de Atención al Cliente. Nuestros datos de contacto son los siguientes:

 0034-931294512

 atencioncliente@aosom.es

Importador/Fabricante/REP:
Spanish Aosom, S.L.
C/ Roc Gros, nº 15. 08550, Els Hostalets de Balenyà, Spain.
B66295775
www.aosom.es
atencioncliente@aosom.es
TEL: 931294512
HECHO EN CHINA

