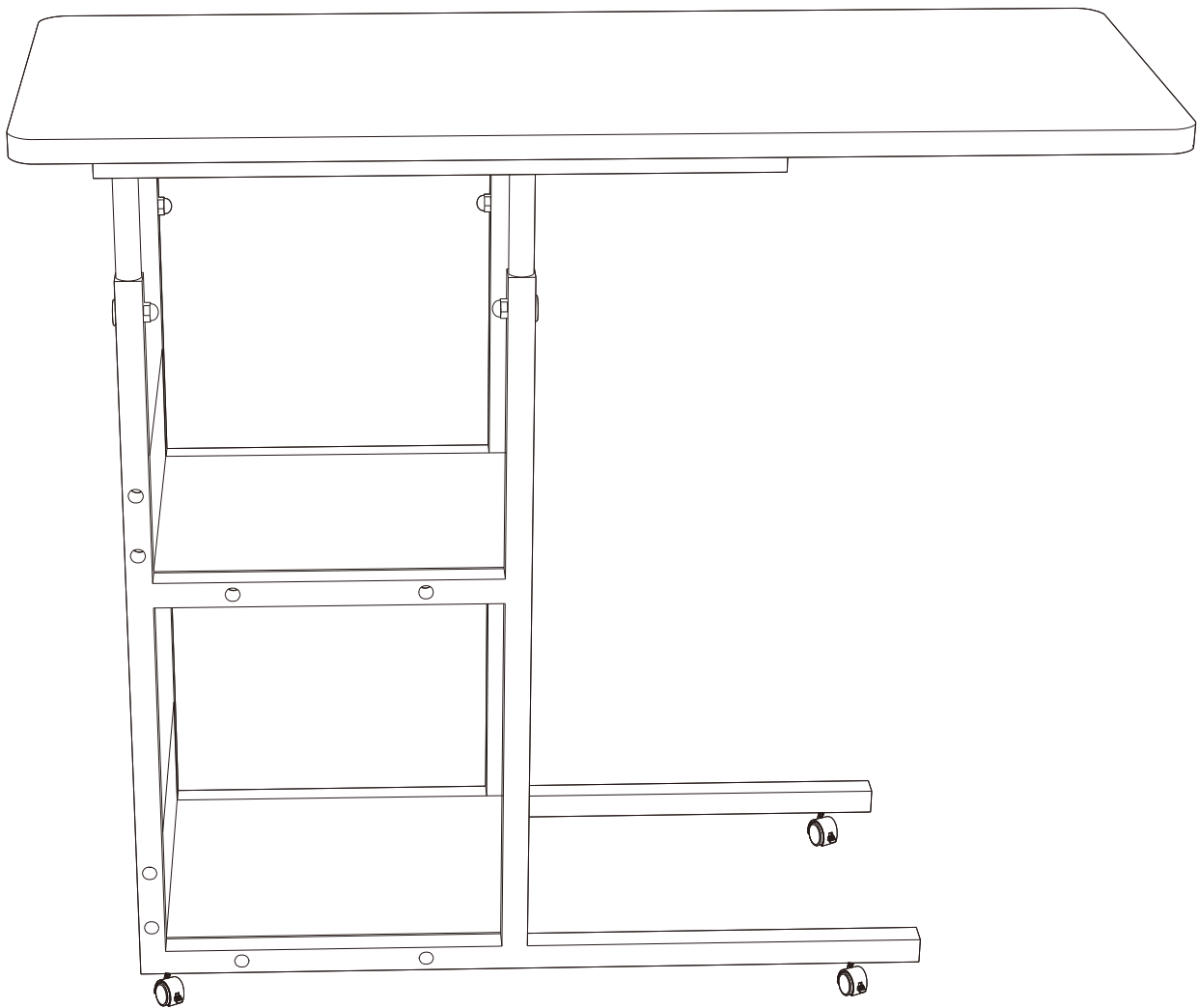




INcgb166V01\_GL

**839-290**

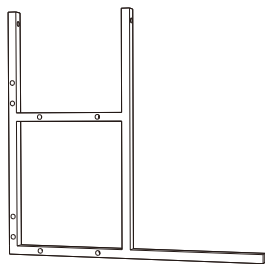


**IMPORTANT, RETAIN FOR FUTURE REFERENCE: READ CAREFULLY**

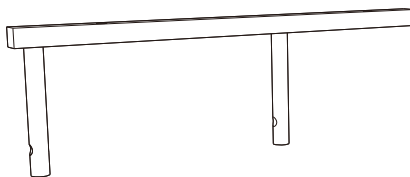
# ASSEMBLY & INSTRUCTION MANUAL

**PARTS**

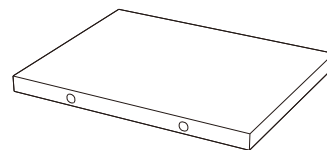
**1** x 2



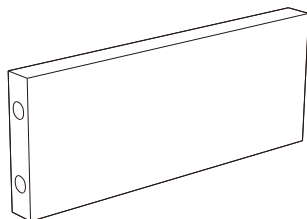
**2** x 2



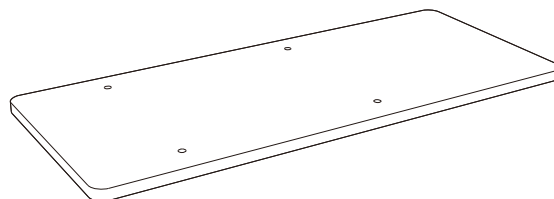
**3** x 2



**4** x 2

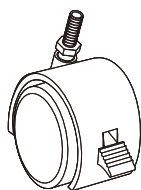


**5** x 1



**HARDWARE**

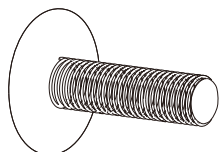
**A** x 4  
M6\*50



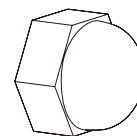
**B** x 16  
M6\*48  
+1(spare)



**C** x 4  
M6\*30



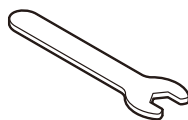
**D** x 4



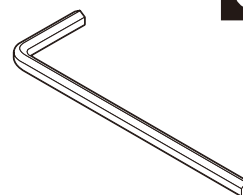
**E** x 4  
M6\*30



**F** x 1

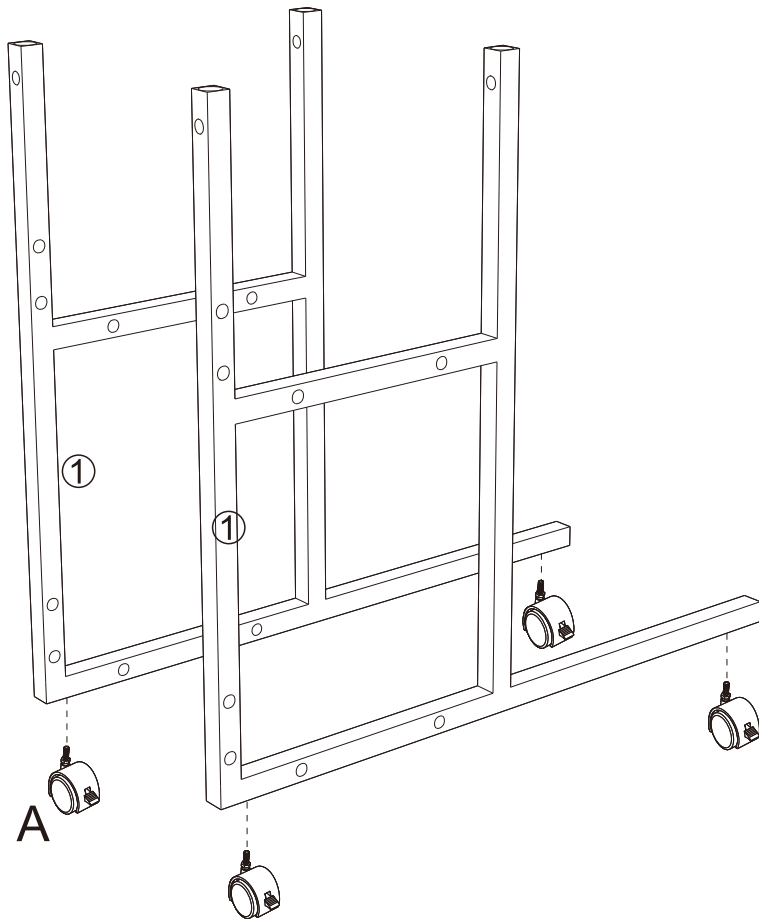


**G** x 1



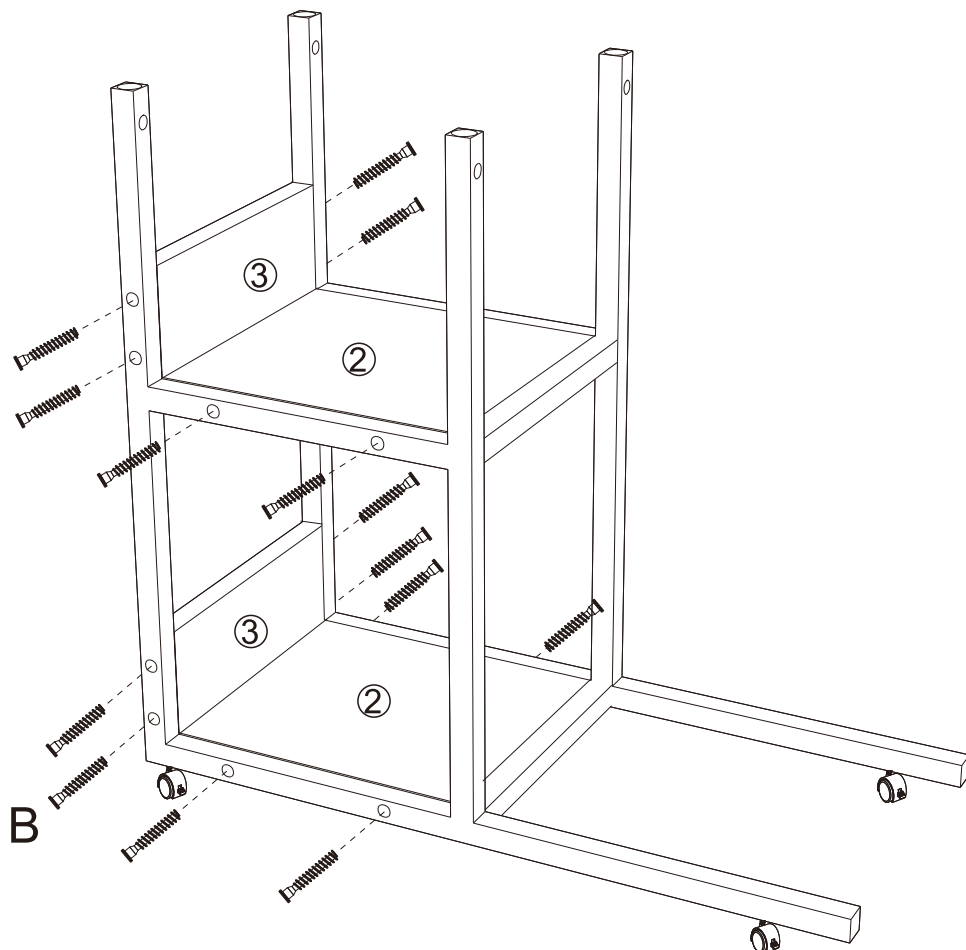
A x 4  
φ 6x50

01



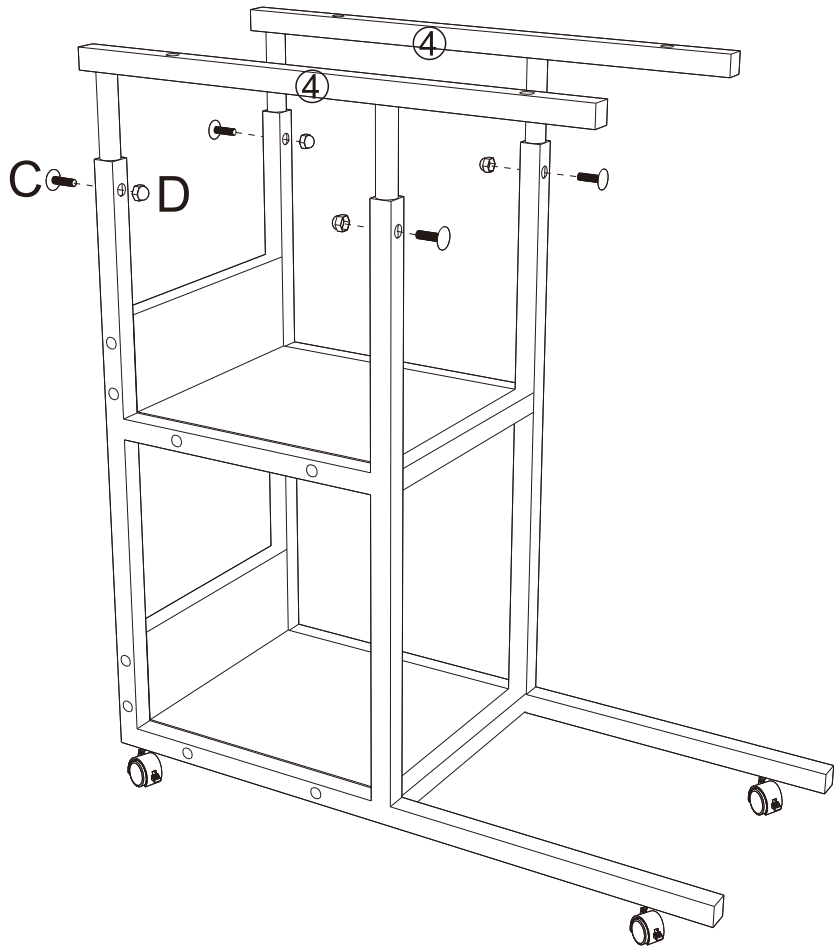
B x16  
φ6x48

02



**C** x 4  
φ6x30

**D** x 4



**E** x 4  
φ6x30

Done

