

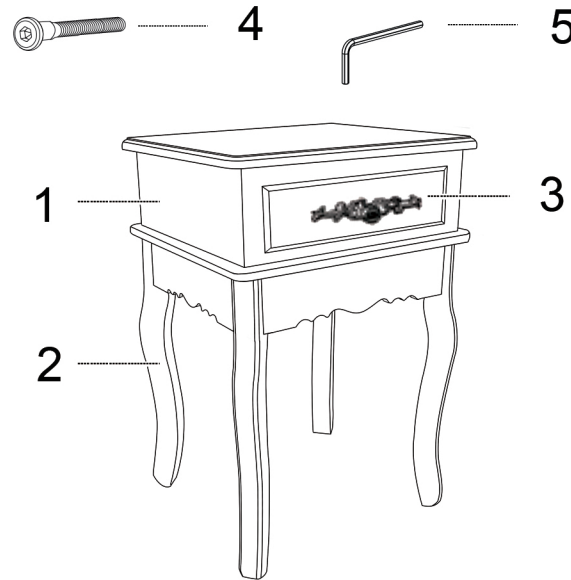
Bedside Table

Original Instruction Manual

833-240



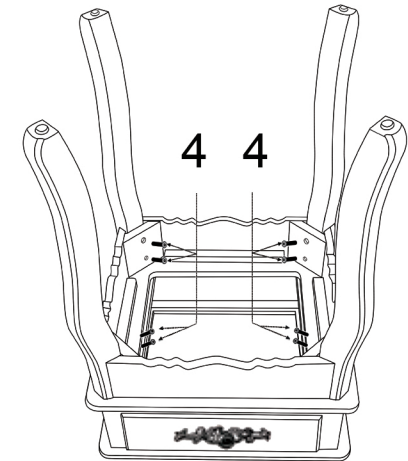
Part List



No.	Description	Quantity
1	Table body	1
2	Table leg	4
3	Drawer	1
4	Screw M7x50mm	8
5	Allen wrench	1
6		
7		

Assembly Instructions

1.



2.

