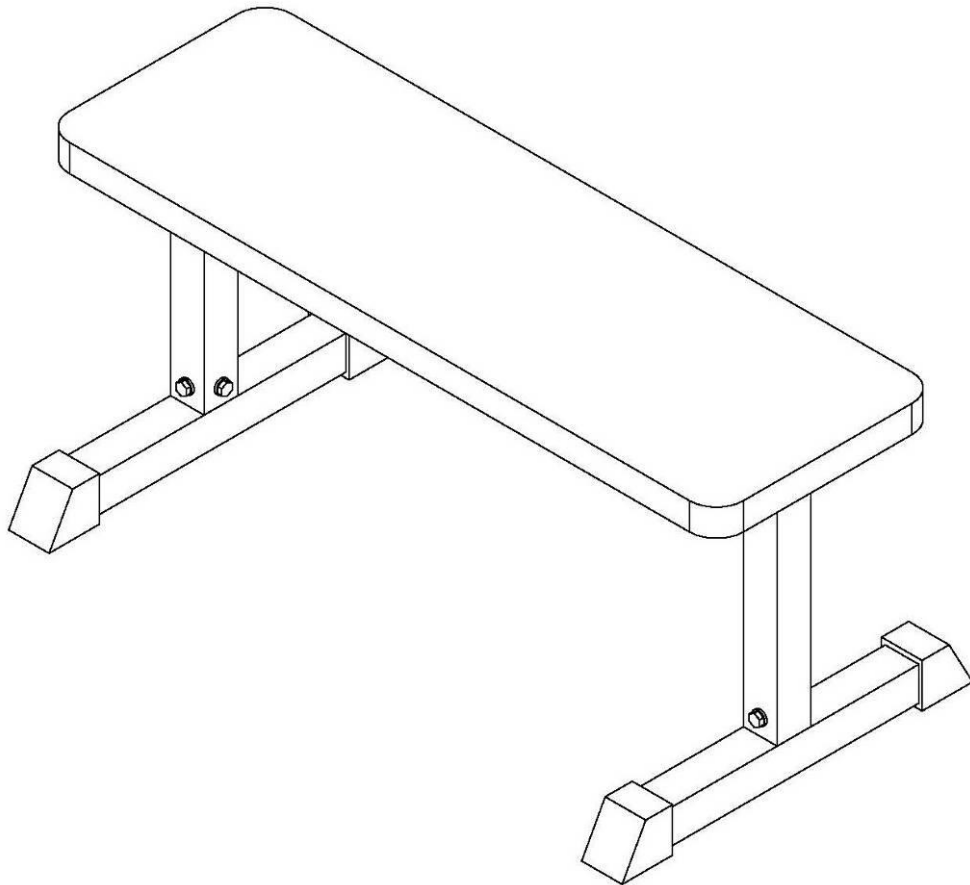


# Force 3



# Force 3

## 1 Parts list / Onderdelenlijst

NUMBER	DISCRIPTION	Q'TY	
1	Screw M6*16	4	Together as set
2	Screw M10*20	8	
3	Screw M10*70	2	
4	Washer 6	4	
5	Washer 10	12	
6	Nut M10	2	
A	Cushion	1	
B	Backrest support	1	
C	Front frame	1	
D	Rear frame	1	
E	Front upright post	1	
F	Rear upright post	1	
G	Joint plates	4	

# Force 3

## 2 Overview drawing / overzichtstekening

