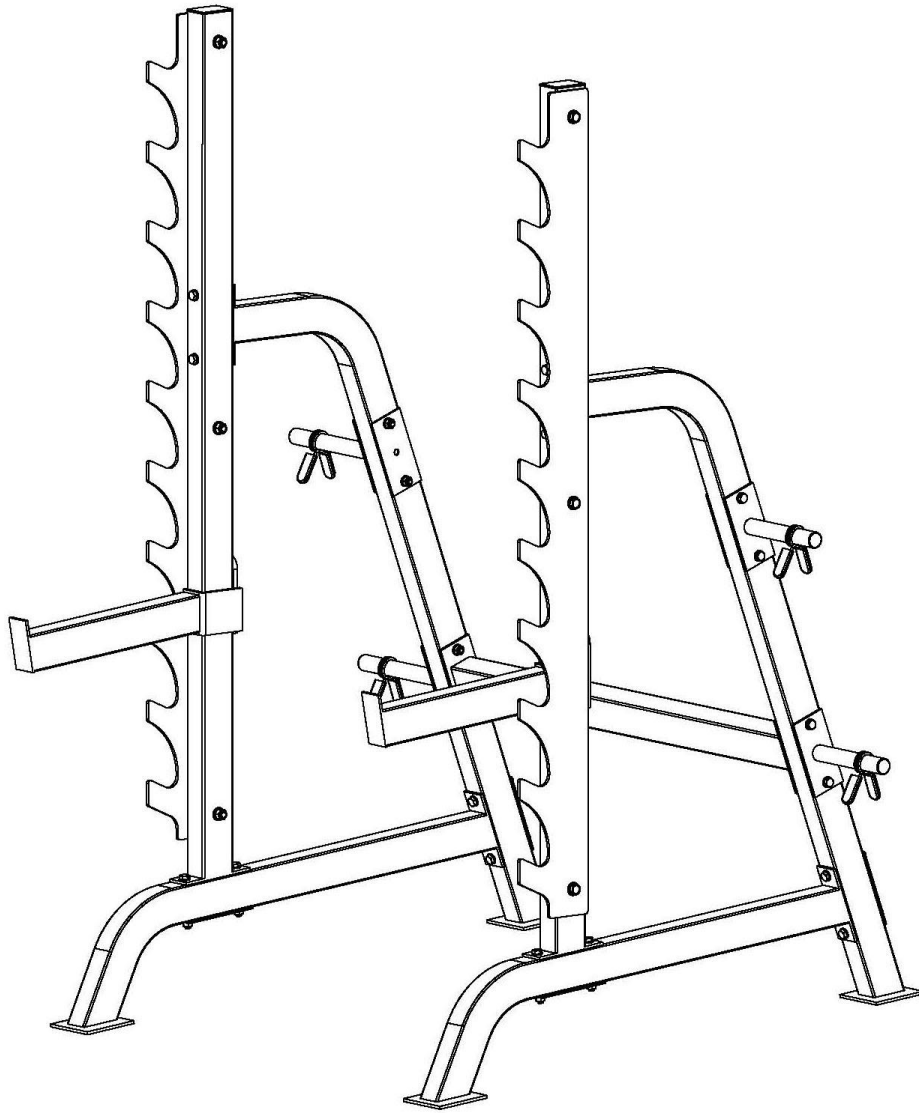




# PRESTIGE 100

---



## 1 PARTS LIST / ONDERDELENLIJST

NUMBER	DESCRIPTION	Q'ty	NUMBER	DESCRIPTION	Q'ty
A	MAIN BASE	2	1	BOLT M10*75	8
B	REAR SUPPORT	2	2	BOLT M10*90	4
C	FRONT SUPPORT	2	3	BOLT M10*95	8
D	JOINT SUPPORT	1	4	BOLT M12*75	6
E	BARBELL SUPPORT	2	5	WASHER 10	40
F	RIGHT SUPPORT BAR	1	6	WASHER 12	12
G	LEFT SUPPORT BAR	1	7	NUT M10	20
H	PLATE BAR	4	8	NUT M12	6
I	WIDER PLATE	2	9	EXPANSION SCREW	4
J	PLATE	4	10	SPRING CLIP	4

## 2 OVERVIEW DRAWING / OVERZICHTSTEKENING

