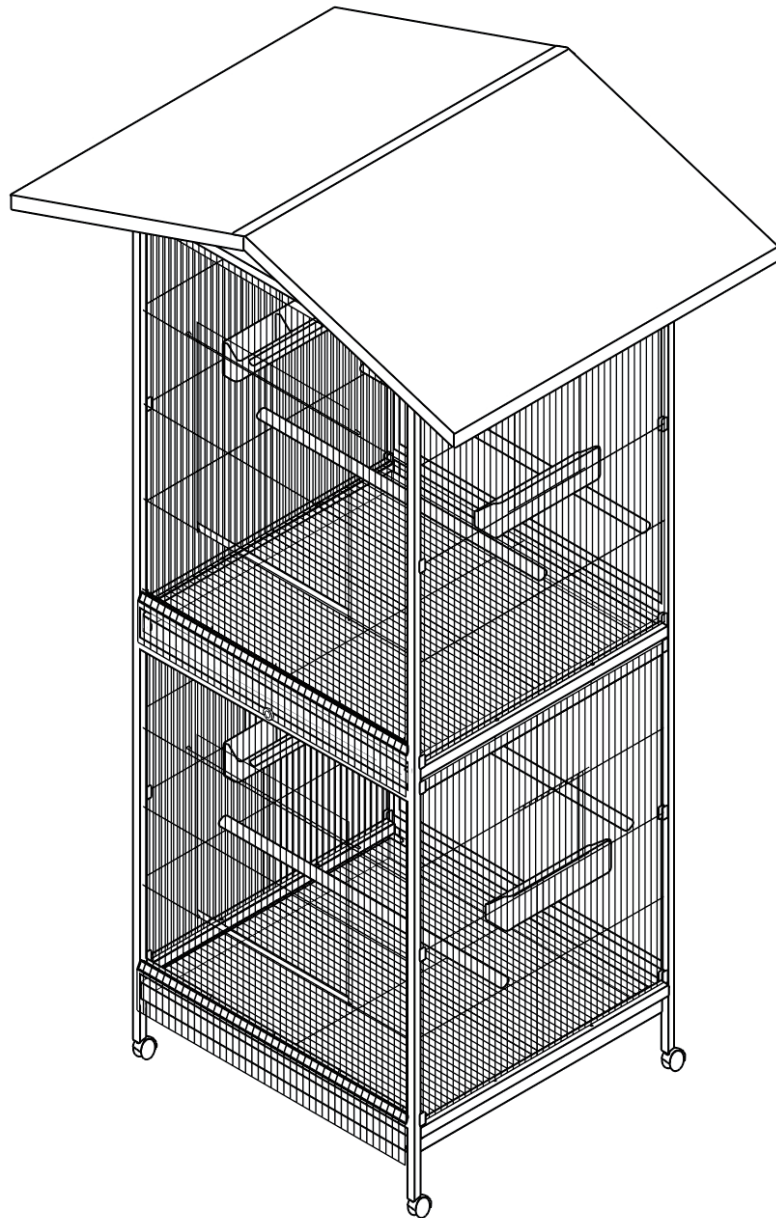


# PawHut

INdia044\_GL

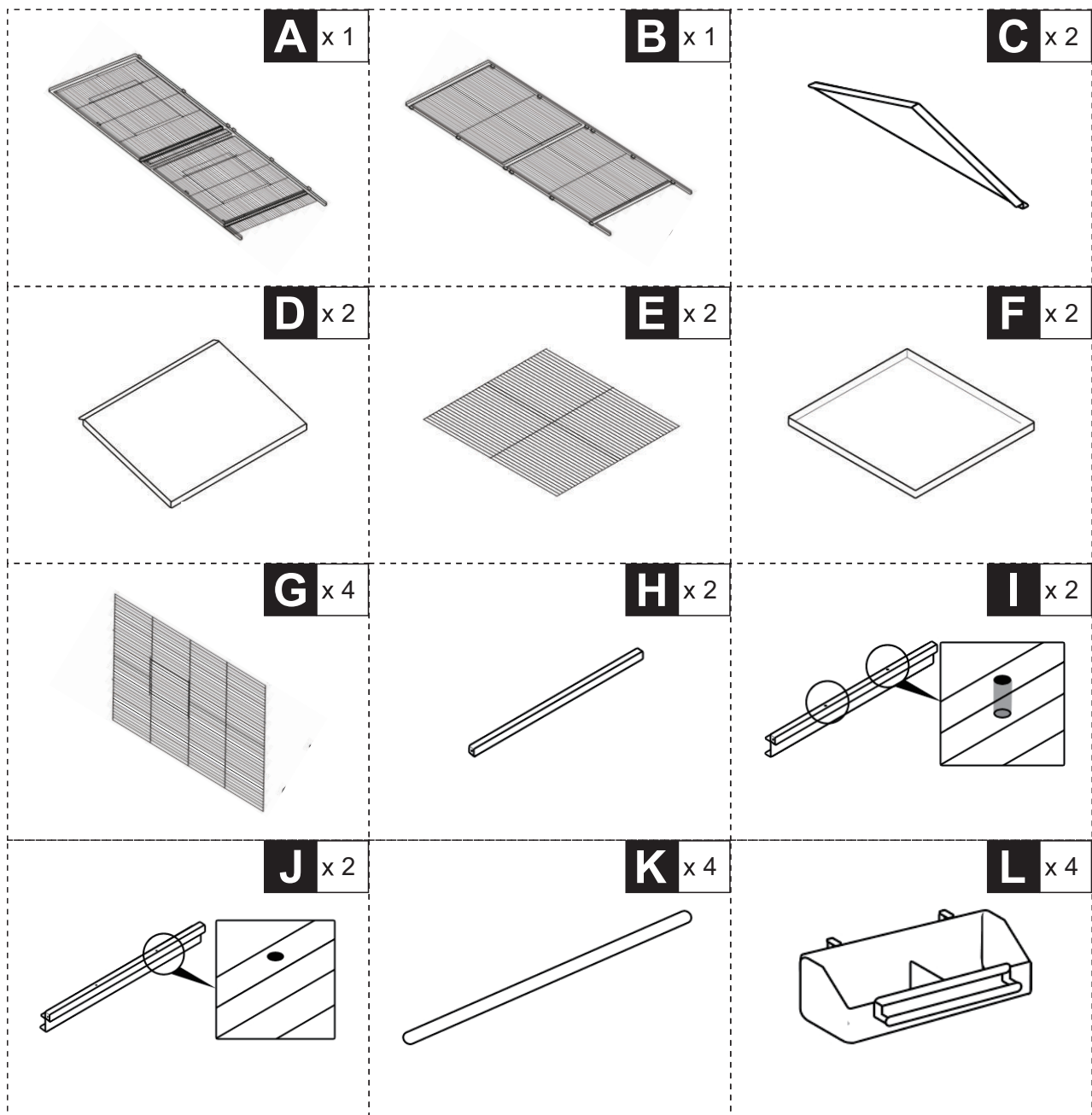
**D10-065V01**



IMPORTANT, RETAIN FOR FUTURE REFERENCE: READ CAREFULLY

## ASSEMBLY & INSTRUCTION MANUAL

**PARTS**



**HARDWARE**

