



Children's Beach Car



- Suitable for 18+ months
- Maximum user weight: 25 kg



WARNING: Must be assembled by an adult.

Read and understand this entire manual before using!

Please keep this manual for future reference as it contains important information. Before first time use, charge the battery for at least 4-6 hours, but no more than 10 hours.

IMPORTANT, RETAIN FOR FUTURE REFERENCE: READ CAREFULLY

ASSEMBLY INSTRUCTION

On the purchase of your new Ride-On.

This ride-on car will provide your child with many miles of riding of enjoyment. To help assure you and your rider a safe ride we ask you to please read this manual carefully, and keep it for future reference.

Follow the recommendations in this manual, they are designed to improve the safety and operation of your ride-on car and its rider.

Specification

Battery	6V4.5AH X1
Charger	6V500mA
input	Depend on local voltage
Motor	390 9000-12000

- Suitable age:** 18 months+
- Charge time:** 8-12 hours
- Load capacity:** Under 25 kg
- Size of car:** 700 × 415 × 485 MM
- Speed:** 2.8-4.6 km/h



BATTERY INFORMATION

- Non-rechargeable batteries are not to be recharged.
- If removable rechargeable batteries are used, they are only to be charged under adult supervision.
- Remove rechargeable batteries from the product before charging.
- Do not mix old and new batteries. Do not mix different types of batteries: alkaline, standard (carbon-zinc) or rechargeable (nickel-cadmium).
- Insert batteries as indicated inside the battery compartment, anode to anode, cathode to cathode.
- Remove batteries during long periods of non-use. Always remove exhausted batteries from the product. Battery leakage and corrosion can damage this product. Dispose of batteries safely.
- Never short circuit the battery terminals.

NO.	PART NAME	Q'TY (PCS)		REMARK
1	Vehicle body	1		
2	Vehicle wheel	4		
3	Ø10 washer	7		
4	Lock nut	4		
5	Hubcap / Wheel cover	4		
6	Steering column	1		
7	Front axle	1		
8	Ø4x16 screw	6		
9	Front bumper	1		
10	Seat	1		
11	Handle bar	1		
12	M5x50 machine screw	1		
13	Ø5 nut	1		
14	Label	1		
15	Socket wrench	2		
16	Charger	1		

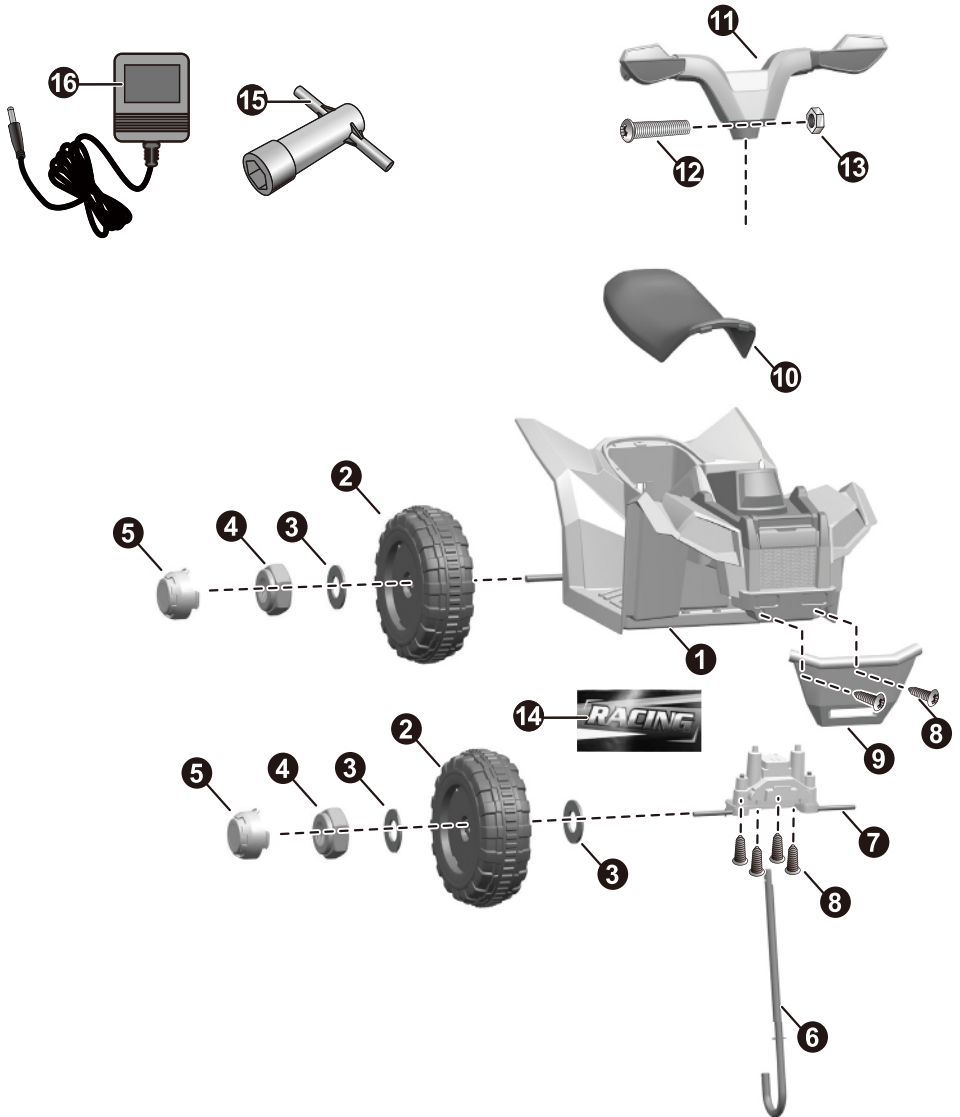
Assembly tools required (not included):



Screwdriver

Parts Diagram

HINT: Some parts shown are assembled on both sides of vehicle





WARNING:

- **CHOKING HAZARD!**
- Must be assembled by an adult.
- To reduce the risk of injury, adult supervision is required.
- Never use in roadways, near motor vehicles, on or near steep inclines or steps, swimming pools or other bodies of water; always wear shoes, and never allow more than 1 rider.
- Power supply or battery charger used with the electric toy shall be regularly examined for damage to the supply cord, plug, enclosure or other parts, and in the event of damage, it shall not be used until the damage has been repaired.
- Use only battery(ies) and charger specified by the manufacturer.
- The battery on the vehicle is not replaceable.
- This toy should be used with caution since skill is required to avoid falls or collisions causing injury to the user or third parties.
- Protective equipment should be worn.
- Always wear shoes, always sit on the seat.
- Not to be used in traffic.
- This toy has no brake.

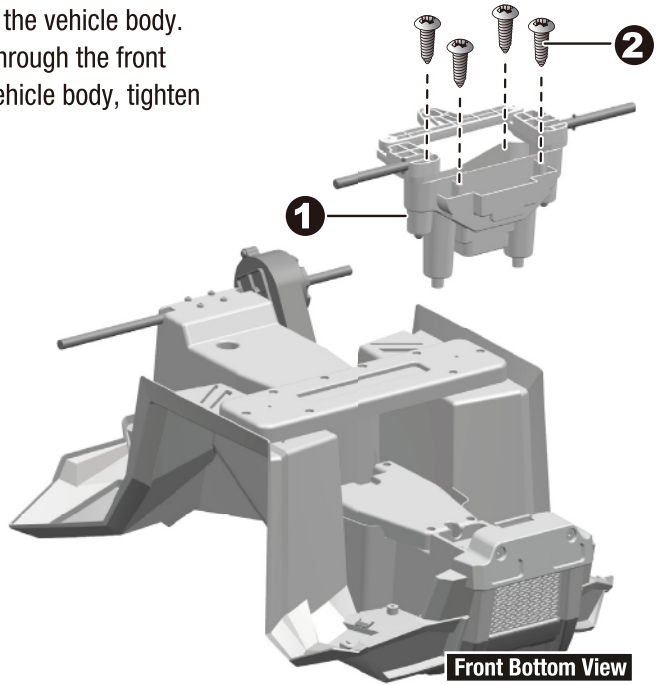
Rules for Safe Riding

- Keep Children within Safe Riding Areas.
- Use the toy only on flat surfaces. Such as inside your house, garden or playground.
- Never use in the dark. A child could encounter unexpected obstacles and have an accident. Operate the vehicle only in the daytime or a well-lit area.
- It is prohibited to change the circuit or add other electric parts
- Inspect wires and connections of the vehicle periodically.
- Do not let any child touch the wheels or be near them when the car is moving .
- This vehicle has adjustable play seat belts. Please instruct children how to tie the safety belt before using, guarantee the security.

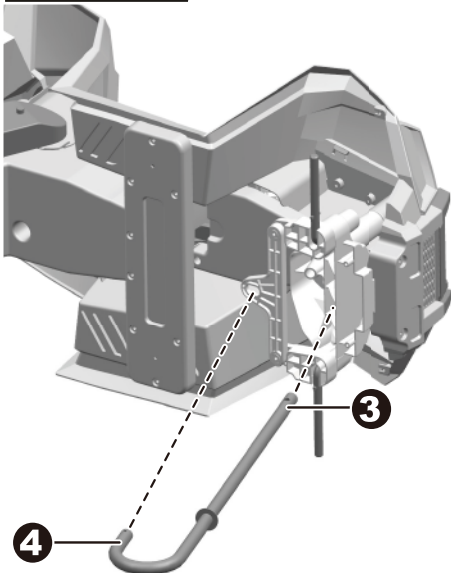
Attach the Front Axle & Steering Column

5

- Gently turn the vehicle body upside down.
1. Fit the front axle linkage to the vehicle body.
 2. Insert four $\text{\O}4 \times 16$ screws through the front axle linkage and into the vehicle body, tighten with a screwdriver.



Rear Bottom View



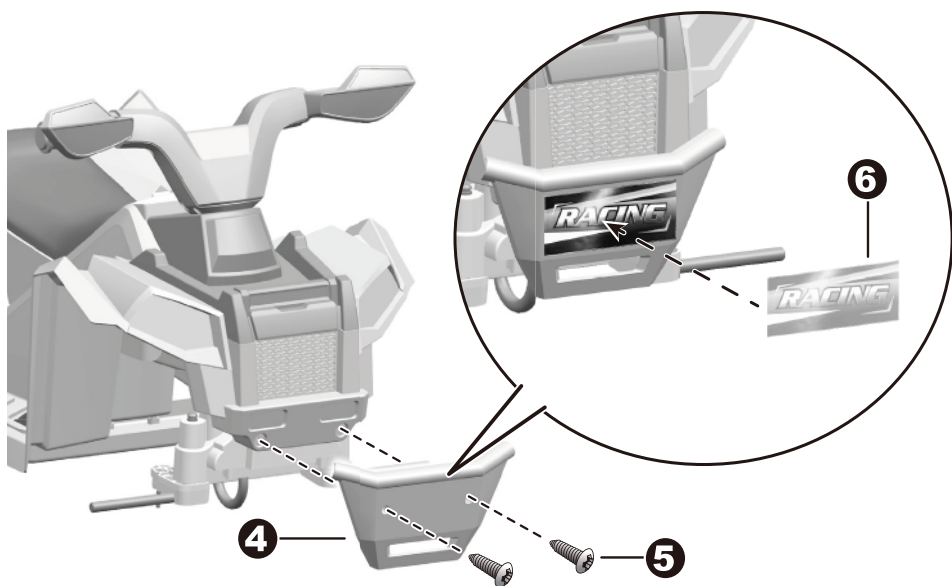
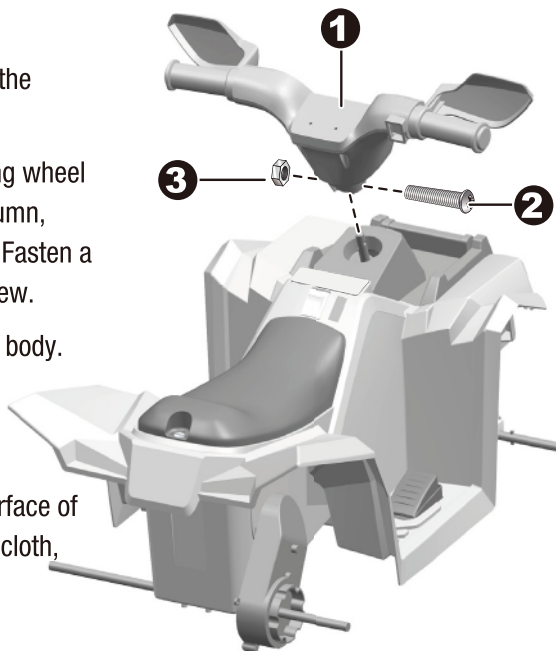
Front Bottom View

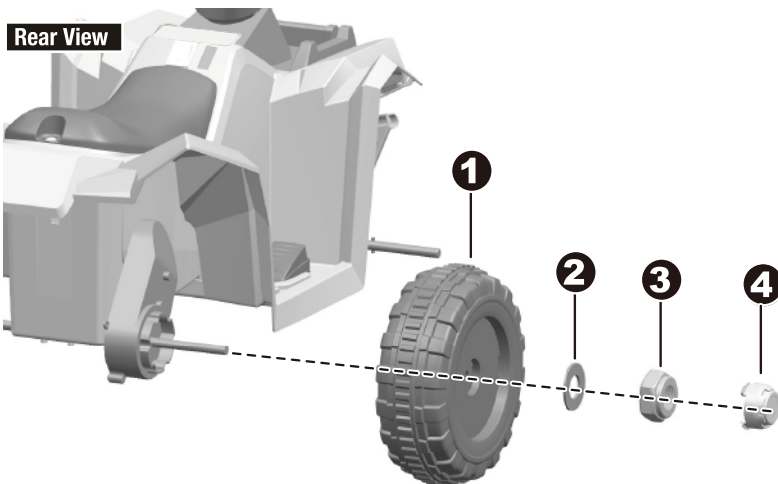
- Turn the vehicle body on its side.
3. Insert the straight end of the steering column into the hole on the vehicle body and out through the hole on the top of the vehicle body.
 4. Insert the bent end of the steering column into the hole on the front axle linkage.

Attach the Handle Bar & Front Bumper

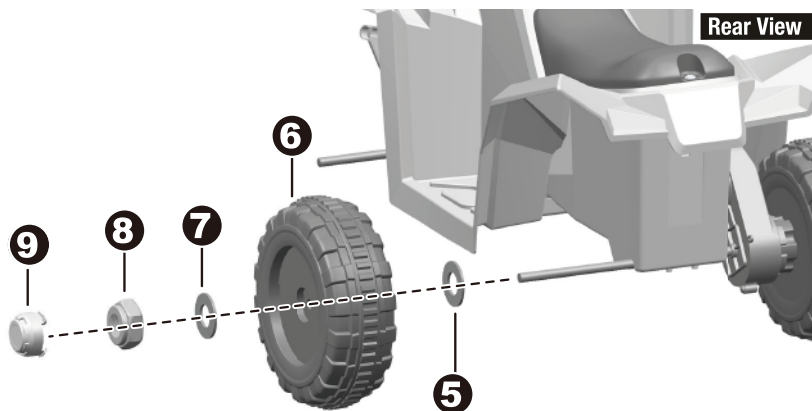
6

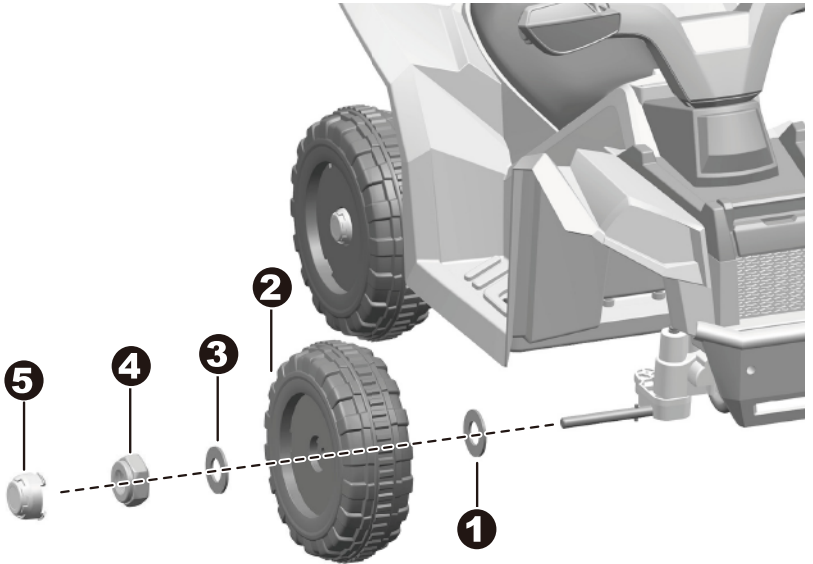
- Turn the vehicle body over.
1. Fit the handle bar onto the end of the steering column.
 - 2&3. Line up the holes on the steering wheel with the holes on the steering column, insert the M5x50 machine screw. Fasten a nut on the opposite end of the screw.
 4. Fit the front bumper to the vehicle body.
 5. Insert two $\varnothing 4 \times 16$ screws and tighten with a screwdriver.
 6. Wash your hands and wipe the surface of the front bumper with a clean dry cloth, place the label exactly as shown.





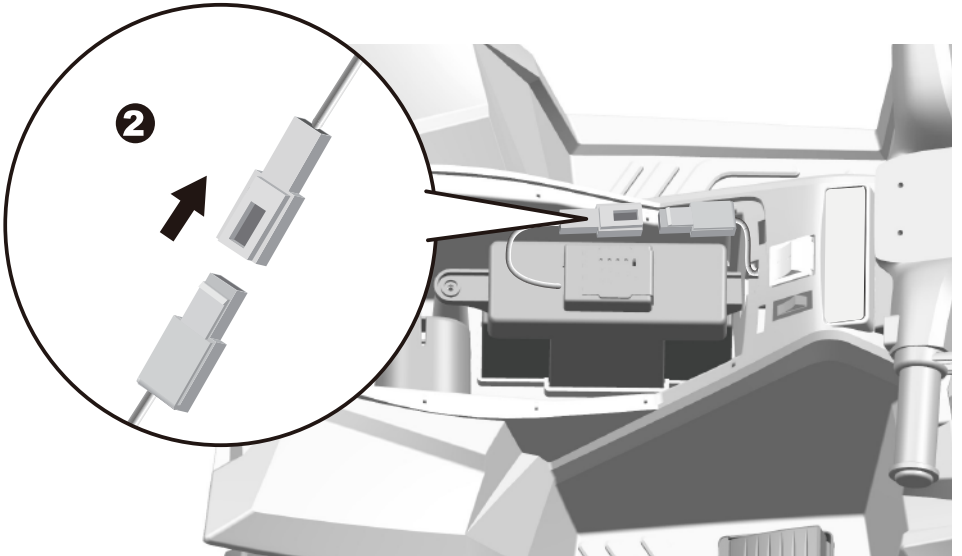
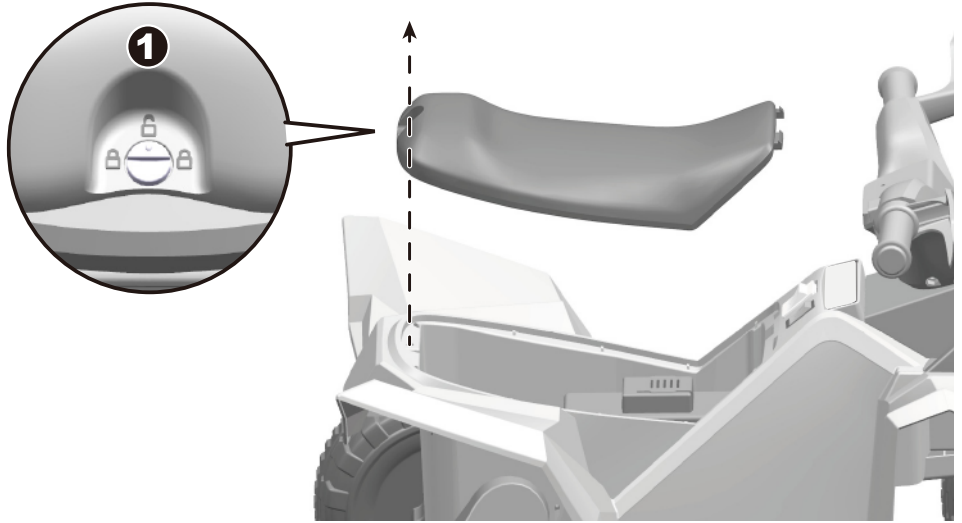
1. Slide a wheel onto the rear axle from the right side. Ensure the wheel match up with the gear box.
2. Slide a $\varnothing 10$ washer onto the rear axle.
3. Tighten a lock nut to the end of the rear axle with a socket wrench.
4. Insert the tabs on the **hubcap or wheel cover** into the grooves on the wheel.
5. Slide a $\varnothing 10$ washer onto the rear axle from the left side.
6. Slide a wheel onto the rear axle.
7. Slide a $\varnothing 10$ washer onto the rear axle.
8. Tighten a lock nut to the end of the rear axle with a socket wrench.
9. Insert the tabs on the **hubcap or wheel cover** into the grooves on the wheel.



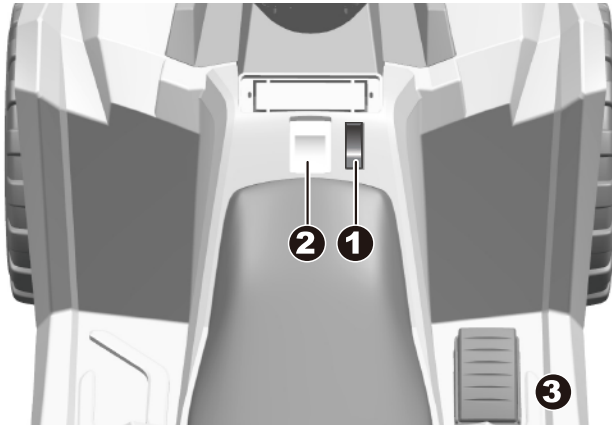


1. Slide a $\varnothing 10$ washer onto the front axle from the left side.
2. Slide a wheel onto the front axle.
3. Slide a $\varnothing 10$ washer onto the front axle.
4. Tighten a lock nut to the end of the front axle with a socket wrench.
5. Insert the tabs on the **Hubcap** into the grooves on the wheel.

Repeat for the other front wheel.



1. Using a slotted screwdriver(not included) or coin to unlock the seat lock, remove the seat from the vehicle body.
2. Pulg the vehicle connector into the connector from the battery. Replace the seat.

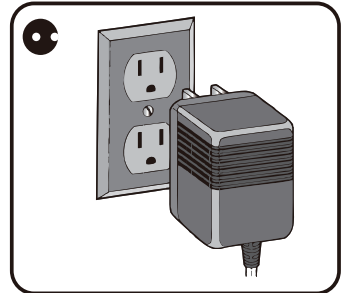
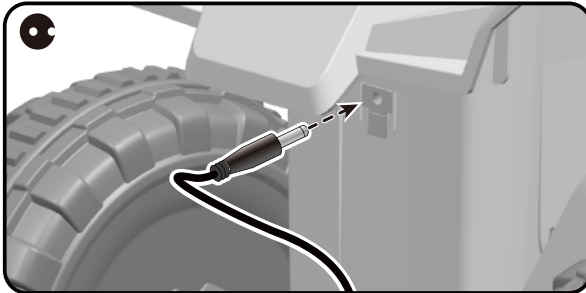


- 1. Power button:** Turn the product on and off.
- 2. Forward/Stop/Reverse lever:** Changes the direction that product moves from forward to reverse.
 - To move the product forward, shift the lever to top position.
 - To move the product backward, shift the lever to down position.
- 3. Throttle pedal:** Applies power (speed) to the product.
 - To move the product, press the pedal down.
 - To brake or slow down, release pressure from the pedal.

⚠ WARNING!**ONLY AN ADULT CAN CHARGE AND RECHARGE THE BATTERY!****⚠ WARNING!**

This product with **Charging Protection**: when charging, all functions will be cut off!
Only an adult can charge and recharge the battery!

- The POWER SWITCH must be turned in OFF position when charging.
- Before the first use, you should charge the battery for 4-6 hours. Do not recharge the battery for more than 10 hours to avoid overheating the charger.
- When the vehicle begins to run slowly, recharge the battery.
- After each use or once a month minimum recharge time as 8 to 12 hours, less than 20 hours at most.
- Use the only rechargeable battery and charger supplied with your vehicle. NEVER substitute the battery or the charger with another brand. Using another battery or charger may cause a fire or explosion.
- Do not use the battery or charger for any other product.

**How to charge the battery**

1. Open the charging cover (below the seat). Plug the charger port into the charger socket.
2. Plug the charger plug into a wall outlet. The battery will begin charging.

Problem	Possible Cause	Solution
Vehicle does not run	Battery low on power	Recharge battery.
	Thermal fuse has tripped	Reset fuse, see <Fuse>
	Battery connector or wires are loose	Check that the battery connectors are firmly plugged into each other. If wires are loose around the motor contact your distributor please.
	Battery is dead	Replace battery, contact your distributor please.
	Electrical system is damaged	Contact your distributor please.
	Motor is damaged	Contact your distributor please.
Vehicle does not run very long	Battery is under charged	Check that the battery connectors are firmly plugged into each other when recharging
	Battery is old	Replace battery, contact your distributor please.
Vehicle runs sluggishly	Battery low on power	Recharge battery, contact your distributor please.
	Battery is old	Replace battery, contact your distributor please.
	Vehicle is overload	Reduce weight on vehicle.
	Vehicle is being used in harsh conditions	Avoid using vehicle in harsh conditions ,see <Safety>.
Vehicle needs a push to go forward	Poor contact of wires or Connectors	Check that the battery connectors are firmly plugged into each other. If wires are loose around the motor, contact your distributor please.
	"Dead Spot" on motor	A dead spot means the electric power is not being delivered to the terminal connection and the vehicle needs repair. Contact your distributor please.
Difficult shifting from forward to reverse or vice-versa	Attempting to shift while the vehicle is motion	Completely stop the vehicle and shift, see <Use Your New Vehicle>
Loud grinding or clicking noises coming from motor or gear box	Motor or gears are damaged	Contact your distributor please.
Battery will not recharge	Battery connector or adapter connector is loose	Check that the battery connectors are firmly plugged into each other.
	Charger not plugged in	Check that the battery charger is plugged into a working wall outlet.
	Charger is not working	Contact your distributor please.
Charger feels warm when recharging	This is normal and not a cause for concern	

Completely read through this manual and the troubleshooting guide table before calling. If you still need help resolving the problem **Contact your distributor please.**

- It is parents' responsibility to check main parts of the toy before using, must regularly examine for potential hazard, such as the battery, charge, cable or cord, plug, screws are fastening enclosure of other parts and that in the event of such damage, the toy must not be used until that damage had been properly removed.
- Make sure the plastic parts of the vehicle are not cracked or broken.
- Occasionally use a lightweight oil to lubricate moving parts such as wheels.
- Park the vehicle indoors or cover it with a tarp to protect it from wet weather.
- Keep the vehicle away from sources of heat, such as stoves and heaters. Plastic parts may melt.
- Recharge the battery after each use. Only an adult can handle the battery. Recharge the battery at least once a month when the vehicle Raider is not being used.
- Do not wash the vehicle with a hose. Do not wash the vehicle with soap and water. Do not drive the vehicle in rainy or snowy weather. Water will damage the motor, electric system and battery.
- Clean the vehicle with a soft, dry cloth. To restore shine to plastic parts, use a non-wax furniture polish. Do not use car wax. Do not use abrasive cleaners.
- Do not drive the vehicle in loose dirt, sand or fine gravel which could damage the moving parts, motors or the electric system.
- When not using, all the electrical source should be turned off. Turn off the power switch and disconnect the battery connection.

The battery features a thermal fuse with a reset fuse that will automatically trip and cut all power to the vehicle if the motor, electric system or battery is overloaded. The fuse will reset and power will be restored after the unit is turned OFF for 20 seconds and then turned ON again. If the thermal fuse trips repeatedly during normal use, the vehicle may need repair. Contact your distributor please.

To avoid losing power, follow these guidelines:

- Do not overload the vehicle.
- Do not tow anything behind the vehicle.
- Do not drive up steep slopes.
- Do not drive into fixed objects, which may cause the wheels to spin, causing the motor to overheat.
- Do not drive in very hot weather, components may overheat.
- Do not allow water or other liquids to come in contact with the battery or other electric components.
- Do not tamper with the electric system. Doing so may create a short, causing the fuse to trip.

Our products are suitable for ASTM F963; GB6675; EN71 and EN62115 standard.

Disposal Of Battery



- Your sealed lead-acid battery must be recycled or disposed of in an environmentally sound manner.
- Do not dispose of your lead-acid battery in a fire. The battery may explode or leak.
- Do not dispose of a lead-acid battery in your regular, household trash. The incineration, land filling or mixing of sealed lead-acid batteries with household trash is prohibited by law.



Quad da spiaggia per bambini

* Adatto per bambini di 18+ mesi

* Peso massimo utente: 25 kg



AVVERTENZA: Deve essere assemblato da un adulto.

Leggere e comprendere l'intero manuale prima dell'uso!

Conservare questo manuale per riferimenti futuri poiché contiene informazioni importanti.

Prima del primo utilizzo, ricaricare la batteria per almeno 4-6 ore, ma non più di 10 ore.

IMPORTANTE! CONSERVARE IL PRESENTE MANUALE PER FUTURO RIFERIMENTO E LEGGERLO ATTENTAMENTE.

Riguardo all'acquisto del vostro nuovo veicolo. Questo veicolo garantirà al vostro bambino svariate miglia di guida e divertimento. Per assicurare una guida sicura a voi e al guidatore vi chiediamo di leggere questo manuale attentamente, e di conservarlo per consultazioni future.

Seguite i consigli in questo manuale, sono pensati per migliorare la sicurezza e l'operatività del vostro veicolo e del conducente.

SPECIFICHE:

Batteria	6V4.5AH X1
Input caricatore	6V500mA Depend on local voltage
Motore	390 9000-12000

Eta' adatta:	18 months+
Tempo di ricarica:	8-12 horas
Capacita' di carico:	Sotto 25 kg
Dimensioni veicolo:	700 × 415 × 485 MM
Velocita':	2.8-4.6 km/h



INFORMAZIONI SULLA BATTERIA

- Non ricaricare le batterie non ricaricabili.
- Se vengono utilizzate batterie ricaricabili rimovibili, esse devono essere caricate solo sotto la supervisione di o da adulti.
- Rimuovere le batterie ricaricabili dal prodotto prima di caricarle.
- Non mischiare batterie vecchie e nuove. Non mischiare diversi tipi di batterie: alcaline, standard (carbonio-zinco) o ricaricabili (nichel-cadmio).
- Inserire le batterie secondo le indicazioni all'interno del vano batterie, da anodo ad anodo, da catodo a catodo.
- Rimuovere le batterie durante lunghi periodi di inutilizzo del prodotto. Rimuovere sempre le batterie scariche dal prodotto. Le perdite e la corrosione delle batterie possono danneggiare il prodotto. Smaltire le batterie in modo sicuro.
- Non cortocircuitare mai i terminali della batteria.

NO.	NOME PARTE	QTA' (PZ)		NOTE
1	Carrozzeria	1		
2	Ruote	4		
3	Rondella Ø10	7		
4	Controdado	4		
5	Coprimozzo/Copriruota	4		
6	Piantone dello sterzo	1		
7	Asse anteriore	1		
8	Vite Ø4x16	6		
9	Paraurti anteriore	1		
10	Sedile	1		
11	Manubrio	1		
12	Vite meccanica M5x50	1		
13	Dado Ø5	1		
14	Adesivo	1		
15	Chiave a bussola	2		
16	Caricatore	1		

Utensili di assemblaggio necessari (non inclusi):

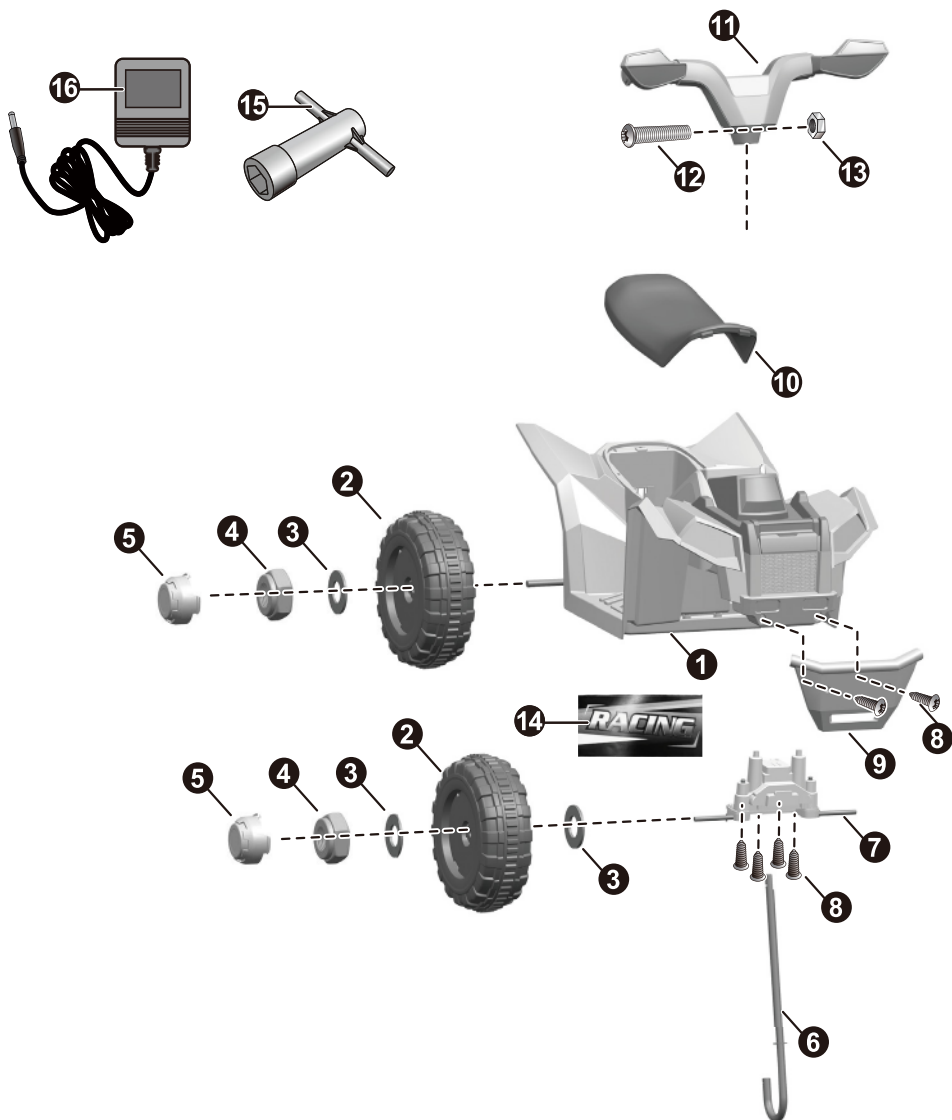


Cacciavite

Diagramma delle parti

3

SUGGERIMENTO: alcune parti mostrate in figura devono essere assemblate su entrambi i lati del veicolo



**ATTENZIONE:**

- **RISCHIO DI SOFFOCAMENTO!**
- Deve essere montato da un adulto.
- Per ridurre il rischio di lesioni personali, è necessaria la supervisione di un adulto durante l'uso.
- Non utilizzare mai su strade, vicino a veicoli a motore, su o vicino a forti pendenze o gradini, piscine o altri corpi d'acqua; indossare sempre scarpe e non consentire mai più di 1 utente alla volta.
- L'alimentatore o il caricatore utilizzato con questo giocattolo deve essere esaminato regolarmente per verificare la presenza di danni al cavo di alimentazione, alla spina, all'involucro o ad altre parti e, in caso di danni, non deve essere utilizzato fino a quando non sono stati riparati.
- Utilizzare solo batterie e caricatori indicati dal produttore.
- La batteria del veicolo non è sostituibile.
- Questo veicolo giocattolo deve essere utilizzato con cautela poiché è richiesta abilità per evitare di cadere o collisioni che provochino lesioni personali all'utente o a terzi.
- Indossare i dispositivi di protezione.
- Indossare sempre le scarpe, rimanere sempre seduti sul sedile.
- Non utilizzare nel traffico.
- Questo giocattolo non è dotato di freni.

Regole per una guida sicura

- Tenere i bambini all'interno di aree di guida sicure.
- Utilizzare il giocattolo solo su superfici in piano. Ad esempio, all'interno della vostra abitazione, in giardino o al parco giochi.
- Non usare mai al buio. Un bambino potrebbe incontrare ostacoli imprevisti e avere un incidente. Utilizzare il veicolo solo di giorno o in un'area ben illuminata.
- È vietato cambiare i circuiti o aggiungere altre parti elettriche.
- Ispezionare periodicamente i cavi e le connessioni elettriche del veicolo.
- Non lasciare che nessun bambino tocchi le ruote o si trovi vicino ad esse quando il veicolo è in movimento.
- Questo veicolo è dotato di cinture di sicurezza regolabili. Si prega di istruire i bambini su come allacciare la cintura di sicurezza prima dell'uso, per garantire la loro sicurezza.

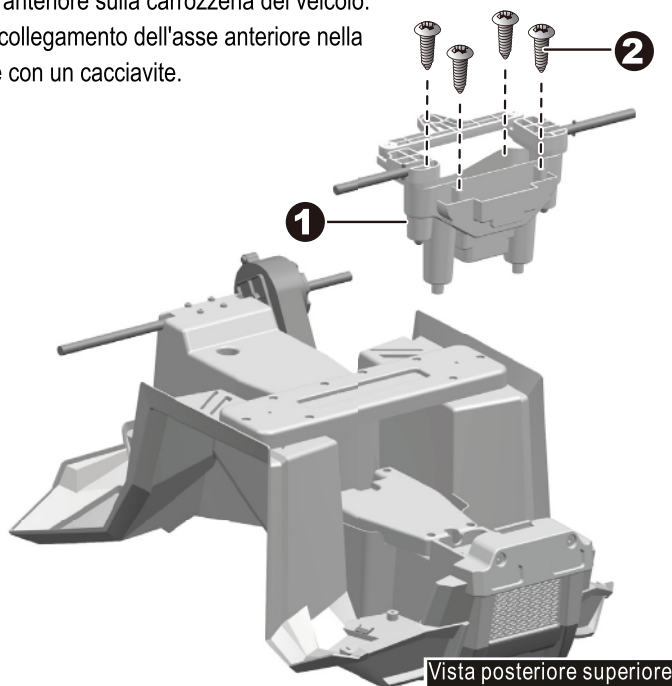
Montare l'asse anteriore al piantone dello sterzo

5

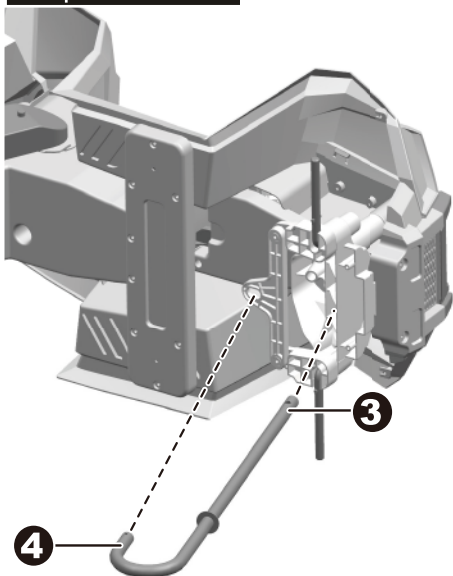
• Capovolgere con cautela la carrozzeria del veicolo.

1. Montare la tiranteria dell'asse anteriore sulla carrozzeria del veicolo.

2. Inserire quattro viti Ø4x16 nel collegamento dell'asse anteriore nella carrozzeria del veicolo, stringere con un cacciavite.



Vista posterior inferiore



Vista posteriore superiore

• Girare la carrozzeria del veicolo con cautela su un lato.

3. Inserire l'estremità diritta del piantone dello sterzo nel foro presente sulla carrozzeria all'infuori attraverso il foro presente sulla parte superiore della carrozzeria.

4. Inserire l'estremità curva del piantone dello sterzo nel foro presente sulla tiranteria dell'asse anteriore.

• Capovolgere la carrozzeria del veicolo.

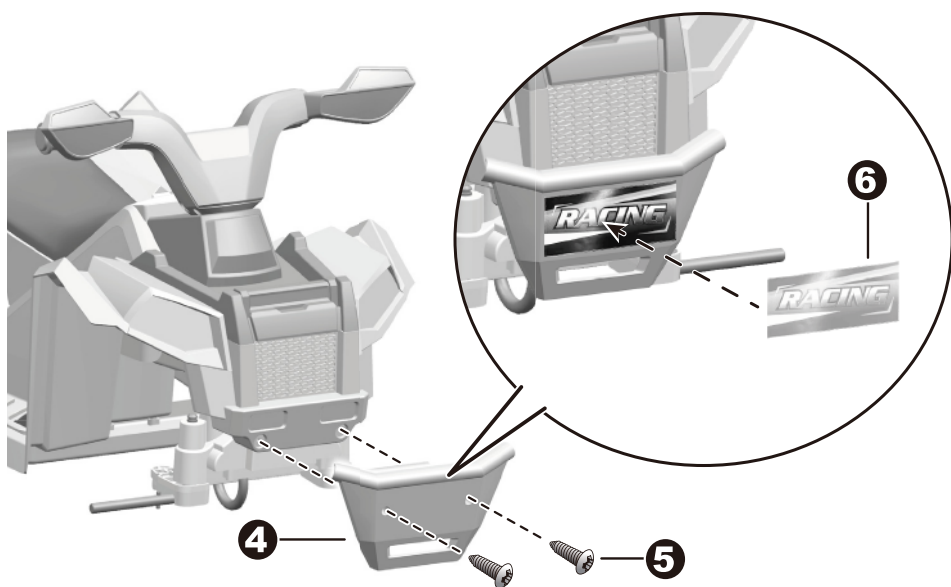
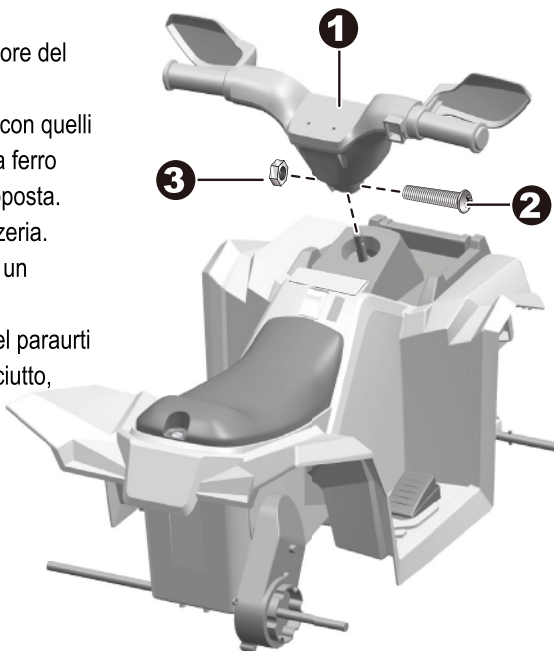
1. Fissare il manubrio all'estremità superiore del piantone dello sterzo.

2 & 3. Allineare i fori presenti sul volante con quelli del piantone dello sterzo, inserire la vite a ferro M5x50. Fissare un dado sull'estremità opposta.

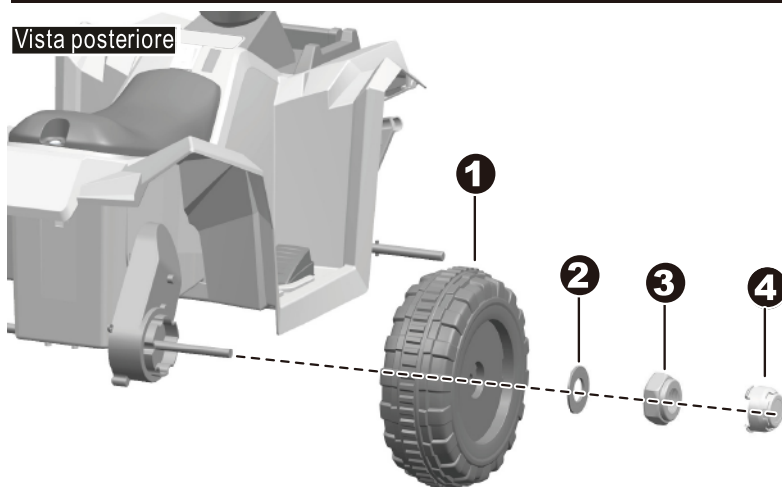
4. Fissare il paraurti anteriore alla carrozzeria.

5. Inserire due viti $\varnothing 4 \times 16$ e stringere con un cacciavite.

6. Lavarsi le mani e pulire la superficie del paraurti anteriore passando un panno pulito e asciutto, applicare l'etichetta esattamente come mostrato in figura.



Vista posteriore



1. Far scorrere una ruota sull'asse posteriore partendo dal lato destro. Assicurarsi che la ruota corrisponda alla scatola del cambio.

2. Inserire una rondella Ø10 sull'asse posteriore.

3. Stringere un controdado sull'estremità dell'asse posteriore con una chiave a bussola.

4. Inserire le linguette del coprimozzo o del copriruota nelle scanalature della ruota.

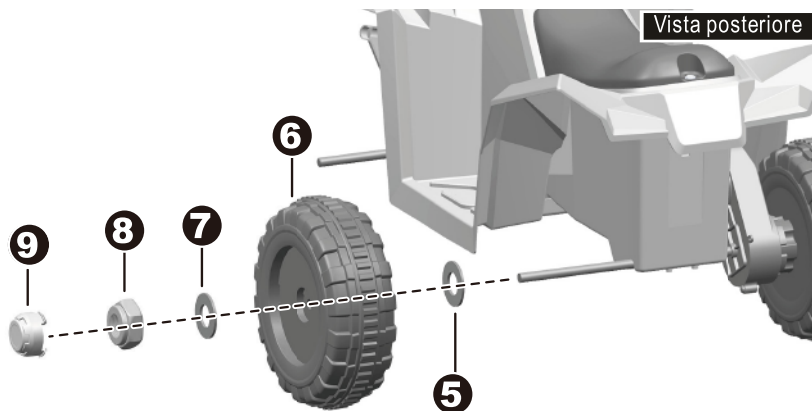
5. Inserire una rondella Ø10 sull'asse posteriore partendo dal lato sinistro.

6. Inserire una ruota sull'asse posteriore.

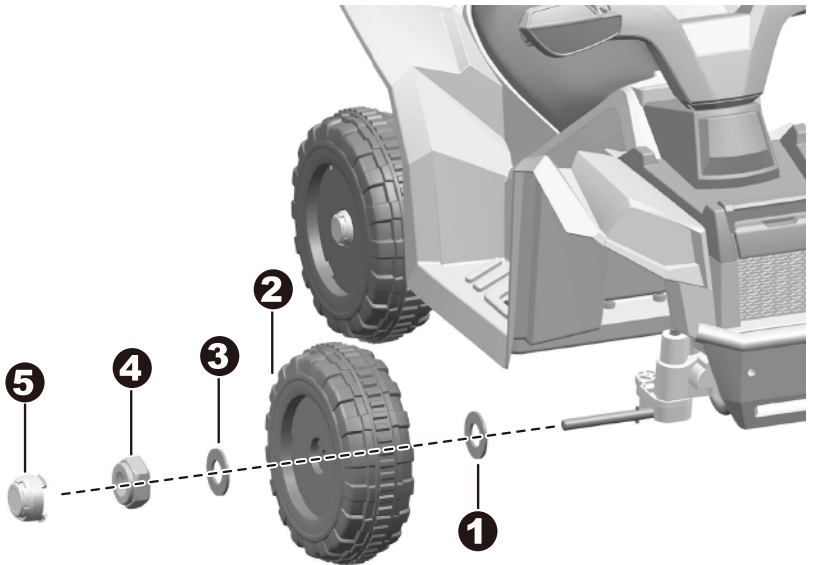
7. Inserire una rondella Ø10 sull'asse posteriore.

8. Stringere un controdado all'estremità dell'asse posteriore con una chiave a bussola.

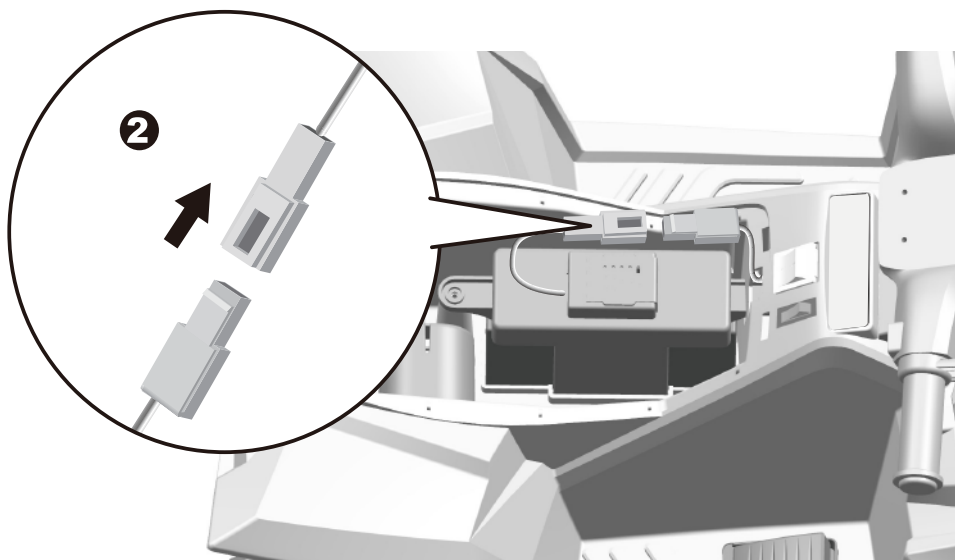
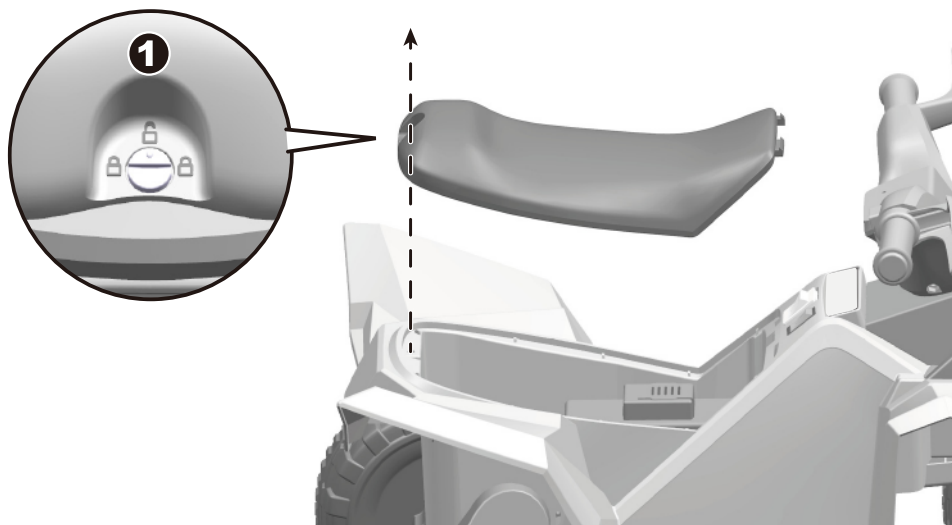
9. Inserire le linguette del coprimozzo o del copriruota nelle scanalature della ruota.



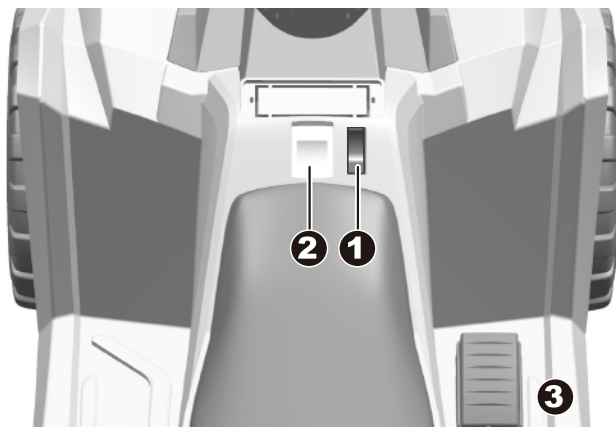
Vista posteriore



1. Inserire una rondella $\varnothing 10$ sull'asse anteriore partendo dal lato sinistro.
 2. Inserire una ruota sull'asse anteriore.
 3. Inserire una rondella $\varnothing 10$ sull'asse anteriore.
 4. Stringere un controdado sull'estremità dell'asse anteriore con una chiave a bussola.
 5. Inserire le linguette del coprimozzo nelle scanalature della ruota.
- Ripetere anche per l'altra ruota anteriore.



1. Utilizzare un cacciavite a taglio (non incluso) o una moneta per aprire la serratura del sedile, rimuoverlo quindi dalla carrozzeria del veicolo.
2. Inserire il connettore del veicolo in quello della batteria. Rimettere il sedile.



1. Pulsante di accensione: accende e spegne il veicolo.

2. Leva marcia avanti/arresto/retromarcia: cambia la direzione in cui il veicolo si sposta in avanti e indietro.

- Per far marciare il veicolo in avanti, portare la leva nella posizione superiore.
- Per far marciare il veicolo in retromarcia, portare la leva nella posizione abbassata.

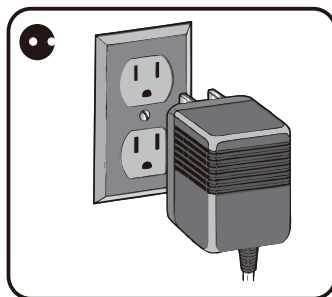
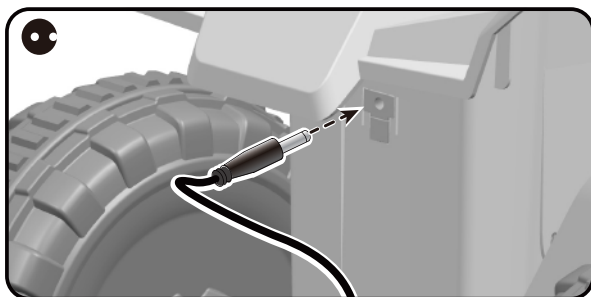
3. Pedale dell'acceleratore: applica potenza (velocità) al veicolo.

- Per far marciare il veicolo in avanti, premere il pedale verso il basso.
- Per frenare o rallentare, rilasciare la pressione dal pedale.

⚠ AVVERTENZA!**SOLO UN ADULTO PUO' CARICARE E RICARICARE LA BATTERIA!****⚠ AVVERTENZA!**

Questo prodotto e' dotato di una protezione di ricarica: durante la ricarica, tutte le funzioni verranno interrotte! Solo gli adulti possono caricare e ricaricare la batteria!

- L'INTERRUTTORE DI ALIMENTAZIONE deve essere portato in posizione OFF durante la ricarica.
- Prima del primo utilizzo, caricare la batteria per 4-6 ore. Non ricaricare la batteria per più di 10 ore per evitare che il carica batterie si surriscaldi.
- Quando il veicolo inizia a marciare lentamente, e' necessario ricaricare la batteria.
- Dopo ogni utilizzo o almeno una volta al mese, il tempo minimo di ricarica e' da 8 a 12 ore, e meno di 20 ore.
- Utilizzare solo la batteria ricaricabile e il caricatore forniti con il veicolo. NON sostituire MAI la batteria o il carica batterie con quelli di un'altra marca. L'utilizzo di un'altra batteria o caricatore può causare un incendio o un'esplosione.
- Non utilizzare la batteria o il caricatore con altri prodotti.



Come ricaricare la batteria.

1. Aprire il coperchio di ricarica (posto sotto il sedile). Collegare lo spinotto del caricatore alla presa di ricarica.
2. Inserire la spina del caricatore in una presa a muro. La batteria inizierà a caricarsi.

Problema	Possibile causa	Soluzione
Il veicolo non si muove	Batteria scarica	Ricaricare la batteria
	Fusibile termico bruciato	Impostare nuovamente il fusibile, vedere la sezione "fusibile"
	Connettori o cavi della batteria allentati	<i>Controllare che i connettori siano saldamente collegati tra di loro. Se i cavi sono allentati attorno al motore, si prega di contattare il vostro distributore.</i>
	Batteria obsoleta	<i>Sostituire la batteria, si prega di contattare il vostro distributore.</i>
	Sistema elettrico danneggiato	Si prega di contattare il vostro distributore.
	Motore danneggiato	Si prega di contattare il vostro distributore.
Il veicolo non funziona a lungo.	Batteria sotto ricarica.	Controllare che i connettori siano saldamente collegati tra di loro durante la ricarica.
	Batteria obsoleta.	<i>Sostituire la batteria, si prega di contattare il vostro distributore.</i>
Il veicolo sobbalza durante la marcia.	Batteria scarica.	<i>Rechargez la pile, veuillez contacter votre distributeur.</i>
	Batteria obsoleta.	<i>Remplacez la pile, veuillez contacter votre distributeur s'il vous plaît.</i>
	Veicolo sovraccarico.	Réduisez le poids sur le véhicule. Le poids maximum de l'utilisateur est de 30 kg.
	Veicolo utilizzato in condizioni non ideali.	Evitare di usare il veicolo in queste condizioni, vedere la sezione "Sicurezza".
Il veicolo necessita di essere spinto per andare in avanti.	Contatti allentati tra cavi e connettori.	<i>Controllare che i connettori siano saldamente collegati tra di loro. Se i cavi sono allentati attorno al motore, si prega di contattare il vostro distributore</i>
	"Punto morto" nel motore.	<i>Un punto morto significa che la corrente non è fornita correttamente al terminal e il veicolo necessita di essere riparato, si prega di contattare il vostro distributore</i>
Difficoltà nel passare dalla marcia in avanti alla retromarcia e viceversa	State cercando di passare dall'una all'altra quando il veicolo e' in moto.	Fermare completamente il veicolo e poi cambiare senso di marcia, vedere la sezione "Usare il vostro veicolo"
Forte rumore proveniente dal motore o dal riduttore.	Il motore o gli ingranaggi sono danneggiati	Si prega di contattare il vostro distributore.
La batteria non si ricarica.	Connettore o adattatore della batteria non ben collegati.	Controllare che i cavi e il connetterai sia saldamento collegati tra loro
	Caricatore non inserito.	Controllare che il caricatore sia inserito nella presa corrente a muro.
	Caricatore non funziona.	Si prega di contattare il vostro distributore.
Il caricatore è caldo durante la ricarica.	Questo e' normale e non e' causa di preoccupazione.	

Leggere fino in fondo questo manuale e la guida risoluzione problemi prima di chiamare. Se necessitate comunque di un aiuto, contattare il vostro distributore.

- È responsabilità dei genitori quella di controllare le parti del giocattolo prima dell'uso. Controllare regolarmente per potenziali incidenti, come danni esistenti alla batteria, caricatore, cavi, spine, viti e altre parti, in qual caso il giocattolo non va utilizzato fino a che non si sono risolti tali malfunzionamenti.
- Verificare che le parti in plastica del veicolo non siano crepate o rotte.
- Utilizzare occasionalmente un olio delicato per lubrificare le parti in movimento come le ruote.
- Parcheggiare il veicolo all'interno o coprirlo con teli per proteggerlo dalle intemperie e dall'umidità.
- Tenere il veicolo lontano da fonti di calore, come stufe e termosifoni. Le parti in plastica potrebbero fondersi.
- Ricaricare la batteria dopo ogni uso. Solo un adulto può maneggiare la batteria. Ricaricarla almeno una volta al mese se viene usata poco frequentemente.
- Non lavare il veicolo con una canna ad acqua. Non lavare con acqua e sapone. Non guidare sotto la pioggia o la neve. L'acqua danneggerà il motore, il sistema elettrico e la batteria.
- Pulire il veicolo con un panno morbido e asciutto. Per ripristinare la lucentezza delle parti in plastica, usare un lucidante per mobili non a base di cera. Non usare cera per automobili. Non usare pulitori abrasivi
- Non guidare il veicolo su sporco, sabbia o ghiaia fine che potrebbero danneggiare le parti in movimento, il motore o l'impianto elettrico.
- Quando non in uso, tutte le fonti elettriche vanno spente. Spegnerle con il pulsante apposito e disconnettere la batteria.

La batteria contiene un fusibile termico con un interruttore che interromperà automaticamente la corrente dal veicolo se il motore, il sistema elettrico o la batteria sono sovraccaricati. Il fusibile ripristinerà l'alimentazione dopo che l'unità è rimasta spenta per 20 secondi e poi accesa nuovamente. Se il fusibile salta in continuazione durante il normale utilizzo, il veicolo potrebbe dover essere riparato. Contattare il vostro distributore.

Per evitare la perdita di potenza, seguite queste linee guida:

- Non sovraccaricare il veicolo.
- Non agganciare nulla al veicolo.
- Non guidare su salite molto inclinate.
- Non guidare contro oggetti fissati a terra, questo potrebbe causare uno slittamento della ruota e il surriscaldamento del motore.
- Non guidare in alte temperature, i componenti potrebbero surriscaldarsi.
- Assicurarsi che non ci sia contatto tra liquidi e i componenti elettrici o la batteria.
- Non modificare il sistema elettrico. Ciò potrebbe causare un cortocircuito, e fondere il fusibile.

Smaltimento della batteria



- Una batteria al piombo-acido sigillata deve essere riciclata o smaltita in modo rispettoso dell'ambiente.
- Non smaltire la batteria al piombo nel fuoco. Essa potrebbe esplodere o perdere liquido tossico.
- Non smaltire una batteria al piombo con i normali rifiuti domestici. L'incenerimento, lo smaltimento in discarica o la miscelazione di batterie sigillate al piombo-acido con i rifiuti domestici sono vietati dalla legge.

I nostri prodotti sono conformi a ASTM F963; GB6675; Norma EN71 e EN62115.

Model identifie	370-278V90	
Input voltage	AC 100-240	V
Input AC frequency	50/60	Hz
Output voltage	DC 6	V
Output current	0.5	A
Output power		W
Average active efficiency	74.9	%
Efficiency at low load (10 %)	61.4	%
No-load power consumption	0.07	W

IT

In caso di dubbio, si prega di contattare il nostro centro assistenza clienti.

I nostri dettagli di contatto sono di seguito:



0039-0249471447



clienti@aosom.it

IMPORTATO DA:
AOSOM Italy srl
Centro Direzionale Milanofiori
Strada 1 Palazzo F1
20057 Assago (MI)
P.I.: 08567220960
FATTO IN CINA

