



OWNER'S MANUAL

Please read entire manual before starting assembly.

Keep this manual along with your purchase receipt for future reference.

⚠ WARNING:
CHOKING HAZARD-Small parts.
Not for children under 3 yrs.

⚠ WARNING:
Toy must be assembled by adult before use.

⚠ CAUTION
Screws contain potentially hazardous sharp points or sharp edges. Adult assembly required.

⚠ WARNING
To reduce the risk of injury, adult supervision is required. Never use on road ways, near motor vehicles, on or near steep inclines or steps, swimming pools or other bodies of water. Always wear shoes, and never allow more than one rider.

Contents, colors and decorations may vary from those shown.

IMPORTANT, RETAIN FOR FUTURE REFERENCE: READ CAREFULLY

ASSEMBLY INSTRUCTION

Specifications:	
Battery:	12V/4.5AH*1
Motor:	12V 550# 35W*2
Suitable ages:	3+
Maximum weight:	25kg
Speed :	3-6km/h
Power way:	Charging type
Use of time:	Charg: 8-12 hours ; Use: 0.75 hours
Charger:	Input AC 100-240V, 50/60Hz, output DC 12V 1000 mA

WARNING

1. The pictures in this instruction is only for explaining the operation and structure of the product, when there's any difference with the real product, please confirm with the real product.
2. In order to improve the quality of the product, we may amend some structure or appearance of the product without notification. Thank you for your understanding.

FOR THE SAFETY OF YOUR CHILD, PLEASE READ ALL WARNINGS AND ASSEMBLY/USE INSTRUCTIONS. KEEP THIS GUIDE FOR FUTURE REFERENCE.

- ADULT ASSEMBLY REQUIRED. The product contains small parts, which are for adult assembly only. keep small children away when assembling.
- Always remove protective material and poly bags and dispose before assembly.
- Never leave child unattended. direct adult supervision is required.
- Always keep child in view when child is in vehicle.
- Keep Children within Safe Riding Areas:
 - Never use in roadways, near motor vehicles, on lawn space, on or near steep inclines or steps, swimming pools or any other dangerous area.
- Use the toy only on flat surfaces. Such as inside your house, garden or playground.
- Never use in the dark. A child could encounter unexpected obstacles and have an accident. Operate the vehicle only in the daytime or a well-lit area.
- Please avoid running on sand or any other rough ground.
- Always wear shoes.
- Always sit on the seat.
- This toy has no brake.
- It is prohibited to change the circuit or add other electric parts
- Inspect wires and connections of the vehicle periodically.
- Do not let any child touch the wheels or be near them when the car is moving.
- This vehicle has adjustable play seat belts. Please instruct children how to tie the safety belt before using, guarantee the security.

STORAGE BATTERY INFORMATION AND MAINTENANCE

- Please charge 8 to 12 hours before first time use.
- Please use the suitable adapter to charge storage battery, otherwise the ride-on will be damaged.
- Please charge the car once the speed is slower than normal, otherwise it will decrease storage battery life.
- Please fully charge the battery before you put your ride-on away, and remember to recharge the battery every 30 days. This will ensure the normal use of the battery, otherwise, the battery might not hold a charge without proper maintenance.
- Batteries may leak fluids that can cause chemical burn injury or ruin your product.
- To avoid battery leakage: Do not mix old and new batteries or batteries of different types: alkaline, standard (carbon-zinc) or rechargeable (nickel-cadmium).
- Insert batteries as indicated inside the battery compartment. Remove batteries during long periods of non-use.
- Always remove exhausted batteries from the product. Dispose of batteries safely. Do not dispose of batteries in a fire. The batteries may explode or leak.
- Never short-circuit the battery terminals.
- Non-rechargeable batteries are not to be recharged.
- Use only batteries of the same or equivalent type as recommended.
- Do not charge non-rechargeable batteries.
- Remove rechargeable batteries from the product before charging.
- If removable rechargeable batteries are used, they are only to be charged under adult supervision
- Every single charging can not go over 24 hours. Both charger and storage batteries will occur mildly warm during charging. Do not use mal-functioned adapter or storage battery unless they are repaired.
- Charger and storage batteries are not considered as toys.
- Please make periodical inspection for storage battery, especially for adapter wires and plugs.
- Please turn off the switch when the ride-on is not in use. Please do a full charge after long periods of inactivity.
- Charge in well ventilated, dry place. Do not open the battery or the charger.
- Tighten the screws with a screwdriver. DO NOT over tighten

Disposal Of Battery:

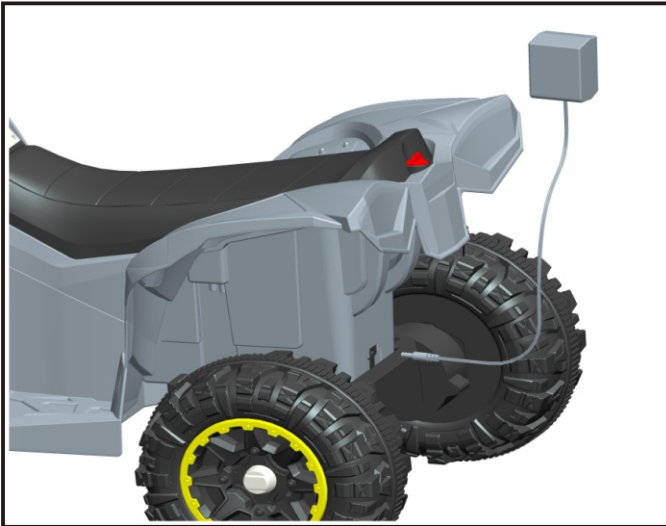
1. Your sealed lead-acid battery must be recycled or disposed of in an environmentally sound manner.
2. Do not dispose of your lead-acid battery in a fire. The battery may explode or leak.
3. Do not dispose of a lead-acid battery in your regular, household trash. The incineration, land filling or mixing of sealed lead-acid batteries with house-hold trash is prohibited by law.

PREVENT FIRE AND ELECTRIC SHOCK:

- Use the only rechargeable battery and charger supplied with your vehicle.
- NEVER substitute the battery or the charger with another brand. Using another battery or charger may cause a fire or explosion.
- Do not use the battery or charger for any other product. Overheating, fire or explosion could occur.
- NEVER modify the electric circuit system. Tampering with the electric system may cause a shock, fire or explosion or may permanently damage the system.
- Do not allow direct contact between battery terminals. Fire or explosion can occur.
- Do not allow any type of liquid on the battery or its components.
- Explosive gasses are created during charging. Do not charge near heat or flammable materials. Charge the battery in a well-ventilated area ONLY.
- NEVER pick up the battery by the wires or charger. Damage can occur to the battery and may cause a fire. Pick up the battery by the case ONLY.
- Charge the battery in a dry area ONLY.
- Battery posts, terminals and related accessories contain lead and lead compounds, chemicals known to the State of California to cause cancer and reproductive harm. Wash hands after handling.
- Do not open the battery. Battery contains lead acid and other materials that are toxic and corrosive.
- Do not open the charger. Exposed wiring and circuitry inside case may cause electric shock.
- ONLY adults may handle or charge the battery. NEVER allow child to handle or charge the battery. Battery is heavy and contains lead acid (electrolyte).
- Do not drop the battery. Permanent damage to the battery could occur or cause serious injury.
- Before charging the battery, check for wear or damage to the battery, charger, its supply cord and the connectors. DO NOT charge the battery if any damage to parts has occurred.
- Do not allow the battery to drain completely. Recharge the battery after each use or once a month if not used regularly.
- Do not charge battery upside down.
- Always secure the battery with the bracket. Battery can fall out and injure a child if vehicle tips over.
- It is parents' responsibility to check main parts of the toy before using. Must regularly examine for potential hazard, such as the battery, charge, cable or cord, plug, screws are fastening enclosure of other parts and that in the event of such damage, the toy must not be until that damage had been properly removed. Make sure the plastic parts of the vehicle are not cracked or broken.
- Occasionally use a lightweight oil to lubricate moving parts such as wheels.
- Park the vehicle indoors or cover it with a tarp to protect it from wet weather.
- Keep the vehicle away from sources of heat, such as stoves and heaters. Plastic parts may melt.
- Recharge the battery after each use. Only an adult can handle the battery. Recharge the battery at least once a month when the vehicle Raider is not being used.
- Do not wash the vehicle with a hose. Do not wash the vehicle with soap and water. Do not drive the vehicle in rainy or snowy weather. Water will damage the motor, electric system and battery.
- Clean the vehicle with a soft, dry cloth. To restore shine to plastic parts, use a non-wax furniture polish. Do not use car wax. Do not use abrasive cleaners.
- Do not drive the vehicle in loose dirt, sand or fine gravel which could damage moving parts, motors or the electric system.
- When not using, all the electrical source should be turn off. Turn off the power switch and disconnect the battery connection.

Charge the Battery

The first charge will take about 12 hours.



1. Charge the battery directly from the socket near the seat.



2. Take out the battery. Charge the battery independently.


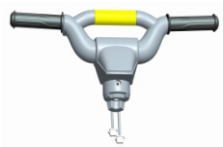
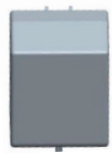







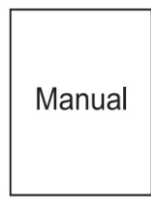
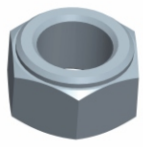

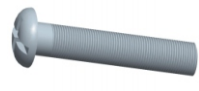


- Plug the battery connector into the charger port.
- Plug the charger into a standard wall outlet. The charger may feel warm during charging.
- Only use the 12 volt charger to charge your 12 volt battery.
- Note: if power flow to the wall outlet is controlled by a switch, make sure the switch is "ON"
- Before first-time use, charge the battery for at least 12 hours. Never charge the battery longer than 24 hours.
- Recharge the battery for at least 8-10 hours after each use of your vehicle.
- Do not charge or store battery upside down. Charging produces explosive gases. Charge away from flames, sparks and lit cigarettes. Charge in a well ventilated area.
- Once the battery is charged, disconnect the battery connector from the charger connector. Unplug the charger from the wall outlet. The battery is now ready to be installed in your vehicle. Please see the following Battery installation Section for detailed instructions on installing your vehicle:



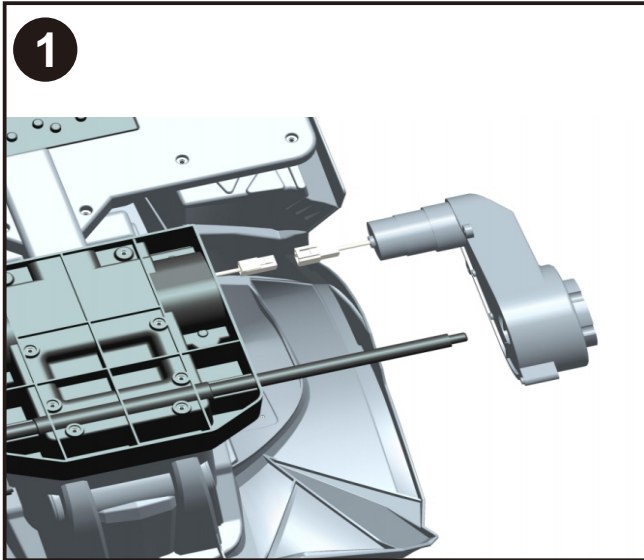
Battery Replacement

1. Lift the seat out.
2. Disconnect the battery connectors.
3. Remove the 4 screws on the sides of the battery.
4. Take out the battery from the battery compartments.

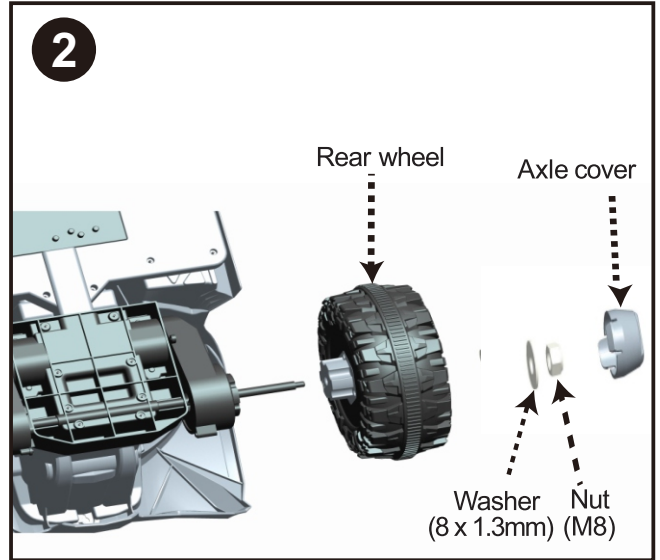
- Please identify all parts before assembly and save all packaging material until assembly is completed to ensure that no parts are discarded.
- Metal parts have been coated with lubricant for protection during shipment. Wipe all metal parts with a paper towel to remove any excess lubricant.

<p>A x 1</p>  <p>Main body</p>	<p>B x 1</p>  <p>Hand bar</p>	<p>C x 1</p>  <p>Charger</p>	
<p>D x 1</p>  <p>Seat</p>	<p>E x 2</p>  <p>Rear wheel</p>	<p>F x 2</p>  <p>Front wheel</p>	
<p>G x 4</p>  <p>Axle cover</p>	<p>H x 1</p>  <p>Gear box (L x 1, R x 1)</p>	<p>I x 1</p>  <p>Rear axle</p>	
<p>J x 2</p>  <p>Washer (12 x 1.5mm)</p>	<p>K x 1</p>  <p>Manual</p>	<p>L x 2</p>  <p>Nut (spare part) (M8)</p>	
<p>M x 4</p>  <p>Washer (8 x 1.3mm)</p>	<p>N x 1</p>  <p>Screw (5 x 40mm)</p>	<p>O x 1</p>  <p>Nut (M5)</p>	<p>P x 2</p>  <p>Socket tool</p>

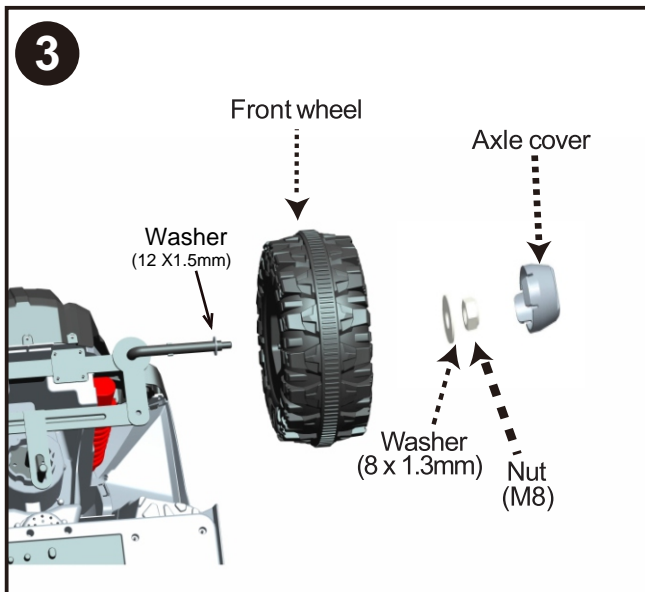
Assembly



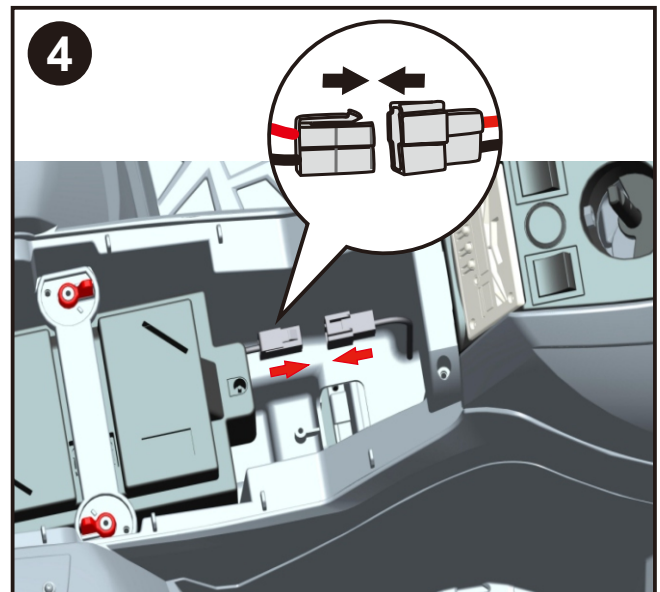
Front Wheels Assembly:
Insert the rear axle and gear box as picture shown. Repeat the same procedures for the other side. please note the "L", "R" mark on the gear box.



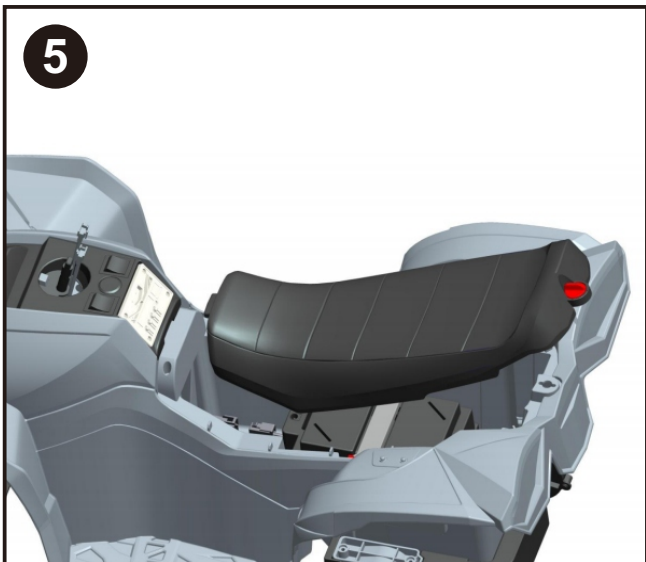
Rear wheels Assembly:
Assemble all the parts in sequence as picture and use the socket tool to fasten and "Snap" the axle cover into the right place. Repeat the same procedures for the other side.



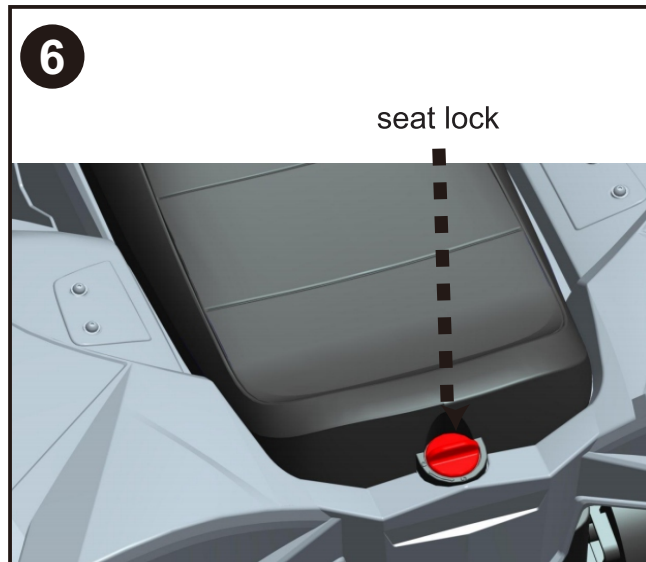
Front wheels Assembly:
Assemble all the parts in sequence as picture and use the socket tool to fasten, and "Snap" the axle cover into the right place. Repeat the same procedures for the other side.



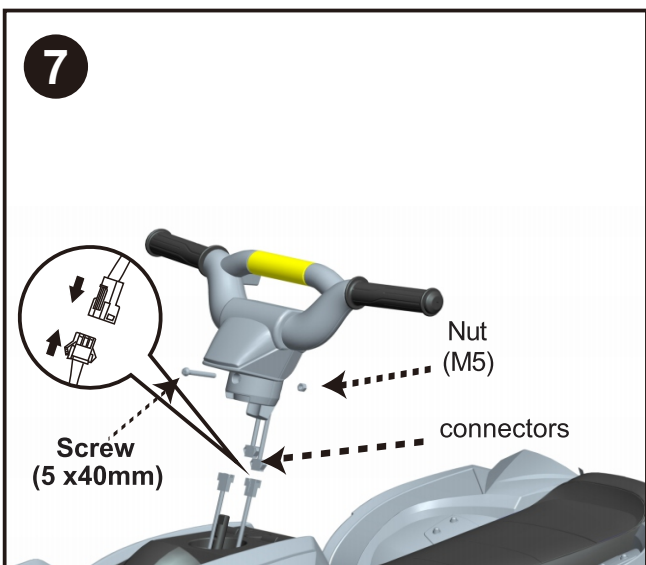
Battery connection:
Open the seat and you can see the power cable. Plug connectors as the picture shown.



“Snap” the seat into the right place.



Secure the seat by the seat lock.



Hand bar assembly:

Plug connectors, place the hand bar into the turning shaft, insert a screw and nut to fix.

Operating your vehicle

Power switch

Switch button ON and OFF.

Forward

Push the shifter in upward position and press the accelerator slowly.

Reverse

Push the shifter in downward position and press the accelerator slowly.

Low speed

Vehicle has been pre-set to operate at low speed (1.5 mph, (3 km/h) maximum). Once your child has mastered safe driving skills and understands the Safe Driving Rules.

High speed

vehicle to be driven at the higher speed (2 mph, 3.5 km/h) maximum.

Make sure your child can safely steer and operate the vehicle and knows the rules for safe driving.

Stop

Vehicle will automatically stop after the accelerator is released.

Sound effect

Press the button on the steering wheel

Safety device

AUTO POWER OFF. If the motor is overloaded for any reason, including improper usage, an electrical circuit breaker will automatically cut off the power, then resume after the parts have cooled!

Maintenance

Clean with a dry, soft cloth only. Do not wash with water or corrosive agents.

Store vehicle in a dry area when not in use, since moisture could cause the metal components and electrical parts to corrode.

Remember to charge the battery monthly while the vehicle is not in regular use.

Check and tighten all screws and coverings regularly.

Check all plastic parts for cracks. Replace as necessary.



Troubleshooting

Problem	Possible Cause	Solution
car does not move	Circuit breaker tripped	Circuit breaker may "trip" and stop the vehicle if it is overloaded or the driving conditions too severe. The breaker will automatically reset after approximately 10 seconds, and the vehicle will operate normally. To avoid repeated automatic shut downs, do not overload the vehicle by exceeding the weight limited of 25kg (55 lbs). Or by towing anything behind the vehicle. Do not drive up hills or run into fixed objects, which can cause the wheels to stop spinning while power is still being supplied to the motors.
	Loose wire or connectors	Check all wires and connectors Make sure that the motor harness connector is plugged in tightly to the battery, and that there are no loose wires around the motor.
	Dead battery	An old or improperly cared battery may be dead. If you are unsure whether it is dead or not, you can have it tested at your Service Center.
	Undercharged battery	A new battery should have been charged for at least 12 hours before using the vehicle for the first time. After that, it must be recharge the battery for at least 8-10 hours after each use. Never charge longer than 24 hours. Check all connectors; make sure the charger is plugged into the wall. Make sure the power flow to the outlet is on.
	Charger is not working	You must have a volt meter in order to tell whether the charger is working or not. If you think there maybe a problem with the charger, take it to the Service Center where they will test it for you.
	Damaged switch	When exposed to water or moisture, switches can become corroded, or can jam due to loose dirt, sand or gravel. Contact your Service Center for diagnosis and repair.

Problem	Possible Cause	Solution
Car was running but suddenly stopped	Loose wire or connectors	Check all wires and connectors. Make sure that the motor harness connector is plugged into the battery tightly, and that there are no loose wires around the motor.
	Circuit breaker tripped	Circuit breaker may "trip" and stop the vehicle if it is overloaded or the driving conditions too severe. The breaker will automatically reset after approximately 10 seconds, and the vehicle will operate normally. To avoid repeated automatic shutdowns, do not overload the vehicle by exceeding the weight limited of 25kg (55 lbs), or by towing anything behind the vehicle. Do not drive up hills or run into fixed object, which can cause the wheels to stop spinning while power is still being supplied to the motors. If breaker continually trips, contact your Service Center.
Short operating time (less than 1 hours per charge)	Undercharged battery	A new battery should have been charged for at least 12hours before using the vehicle for the first time. After that, it must be recharge the battery for at least 8-10 hours after each use.
	Overcharged battery	Never charge longer than 24 hours. Check all connectors; make sure the charger is plugged into the wall. Make sure the power flow to the outlet is on. Never charge battery longer than 24 hours. If you think the battery maybe damage due to overcharging, contact Service Center for testing.
	Old battery will not accept a full charge	Even with proper care, a rechargeable battery does not last forever. Average battery life is 1 to 3 years depending on vehicle use and use conditions. Replace the battery with a new rechargeable battery. Do not substitute parts. To get a replacement battery, please contact Service Center.

Problem	Possible Cause	Solution
Vehicle is sluggish	Undercharged battery	A new battery should have been charged for at least 12 hours before using the vehicle for the first time. After that, it must be recharge the battery for at least 8-10 hours after each use. Never charge longer than 24 hours. Check all connectors; make sure the charger is plugged into the wall. Make sure the power flow to the outlet is on.
	Battery needs charging	Be sure to charge the battery after each use.
	Old battery will not accept a full charge	Even with proper care, a rechargeable battery does not last forever. Average battery life is 1 to 3 years depending on vehicle use and use conditions. Replace the battery with a new rechargeable battery. Do not substitute parts. To get a replacement battery, please contact Service Center.
	Vehicle is overloaded	Allow no more than 1 rider at a time, follow the 25kg (55lbs) weight capacity and don't tow anything behind the vehicle.
	Driving conditions are too stressful	Use only on a generally level ground.
Intermittent vehicle operation	Loose wire or connector	Check all wires around the motors and all connectors to make sure they are tight.
	Motor or electrical switch damage	Contact your Service Center for diagnosis and repair.
When the accelerator is pressed, the vehicle won't run without a push	Loose wire or connector	Check all wires around the motors and all connectors to make sure they are tight.
	"Dead Spot on motor	Contact your Service Center for diagnosis and repair.
Motor gear box makes a loud grinding or clacking noise	Broken gears	Contact your Service Center for diagnosis and repair.
Charger get warm during use	This is normal and should not be concern	No action required.
Battery makes gurgling or sizzling noise while charging	Some noise and swelling is normal and should not be a concern	No action required. If the battery does not make noise while charging. It does not mean it is not accepting the charging.

Parts diagram



Note: Some parts shown are assembled to both sides of the vehicle.

No. Part	Quantity	No. Part	Quantity
1. Front Axel Assembly	1	9. Rear Wheel Assembly	2
2. J Hook	1	10. Rear Support Bracket	1
3. Steering Gear Box	1	11. Main Body	1
4. Front Support Bracket	1	12. Battery Assembly	1
5. Front Wheel Assembly	2	13. Seat	1
6. Axle Cover	4	14. Hood	1
7. Rear Axle	1	15. Hand Bar Assembly	1
8. Gear Box	2	16. Front Body Assembly	1



MANUEL D'INSTRUCTIONS

Veuillez lire l'intégralité du manuel avant de commencer le montage.
Conservez ce manuel avec votre reçu d'achat pour toute référence ultérieure.

⚠ AVERTISSEMENT
RISQUE D'ÉTOUFFEMENT - Petites pièces. Déconseillé aux enfants de moins de 3 ans.

⚠ AVERTISSEMENT
Le jouet doit être assemblé par un adulte avant d'être utilisé.

⚠ ATTENTION
Les vis contiennent des pointes ou des bords tranchants potentiellement dangereux. Un assemblage par un adulte est requis.

⚠ AVERTISSEMENT
Pour réduire les risques de blessures, la surveillance d'un adulte est requise. Ne jamais l'utiliser sur la chaussée, à proximité de véhicules à moteur, sur ou près de pentes ou de marches abruptes, de piscines ou d'autres plans d'eau. Portez toujours des chaussures et ne permettez jamais à plus d'un conducteur de monter à bord.

Le contenu, les couleurs et les décorations peuvent varier par rapport à ceux présentés.

IMPORTANT : LIRE ATTENTIVEMENT ET CONSERVEZ CE MANUEL POUR VOUS Y REFERER ULTERIEUREMENT.

Assemblage & Manuel d'instruction

Spécifications:	
Batterie :	12V/4.5AH*1
Moteur :	12V 550# 35W*2
Âges appropriés :	3+
Poids maximum :	25kg
Vitesse :	3-6km/h
Mode de puissance :	Charging type
Utilisation du temps :	Charge : 8-12 heures ; Utilisation : 0.75 heures
Chargeur :	Entrée AC 100-240V, 50/60Hz, sortie DC 12V 1000 mA

AVERTISSEMENT

1. Les images de cette instruction servent uniquement à expliquer le fonctionnement et la structure du produit. En cas de différence avec le produit réel, veuillez vous référer au produit réel.
2. Afin d'améliorer la qualité du produit, nous pouvons modifier la structure ou l'apparence du produit sans notification. Nous vous remercions de votre compréhension.

POUR LA SÉCURITÉ DE VOTRE ENFANT, VEUILLEZ LIRE TOUS LES AVERTISSEMENTS ET LES INSTRUCTIONS D'ASSEMBLAGE/UTILISATION. CONSERVEZ CE MANUEL POUR VOUS Y RÉFÉRER ULTÉRIEUREMENT.

- **ASSEMBLAGE PAR UN ADULTE REQUIS.** Le produit contient de petites pièces, qui sont réservées à l'assemblage par un adulte. Gardez les petits enfants à l'écart lors de l'assemblage.
- Retirez toujours le matériel de protection et les sacs poly et éliminez -les avant l'assemblage.
- Ne laissez jamais l'enfant sans surveillance. une supervision directe des adultes est requise.
- Gardez toujours l'enfant en vue lorsqu'il est dans le véhicule.
- Gardez les enfants dans des zones de conduites sûres :
 - N'utilisez jamais ce véhicule sur les routes, à proximité de véhicules automobiles, sur la pelouse, sur ou à proximité de pentes ou de marches abruptes, de piscines ou de toute autre zone dangereuse.
- N'utilisez le jouet que sur des surfaces planes. Par exemple à l'intérieur de votre maison, dans votre jardin ou sur votre terrain de jeu.
- Ne jamais utiliser dans l'obscurité. Un enfant peut rencontrer des obstacles inattendus et avoir un accident. Conduisez le véhicule uniquement dans la journée ou une zone bien éclairée.
- Veuillez éviter de rouler sur du sable ou tout autre terrain accidenté.
- Portez toujours des chaussures.
- Toujours s'asseoir sur le siège.
- Ce jouet n'a pas de frein.
- Il est interdit de changer le circuit ou d'ajouter d'autres pièces électriques
- Inspecter périodiquement les fils et les connexions du véhicule.
- Ne laissez aucun enfant toucher les roues et restez près d'eux lorsqu'ils utilisent la voiture.
- Ce véhicule est équipé de ceintures de sécurité à jeu réglable. Veuillez indiquer aux enfants comment attacher la ceinture de sécurité avant de l'utiliser, afin de garantir la sécurité.

INFORMATIONS DE STOCKAGE ET MAINTENANCE DE LA BATTERIE

- Veuillez charger 8 à 12 heures avant la première utilisation.
- Veuillez utiliser l'adaptateur approprié pour recharger la batterie de stockage, sinon le véhicule sera endommagé.
- Veuillez charger la voiture une fois que la vitesse est plus lente que la normale, sinon la durée de vie de la batterie de stockage sera réduite.
- Veuillez recharger complètement la batterie avant de ranger votre véhicule et n'oubliez pas de recharger la batterie tous les 30 jours. Cela permettra d'assurer l'utilisation normale de la batterie, sinon, la batterie pourrait ne pas tenir une charge sans entretien approprié.
- Les batteries peuvent fuir des fluides qui peuvent causer des brûlures chimiques ou ruiner votre produit.
- Pour éviter les fuites de batterie : Ne mélangez pas les batteries anciennes et nouvelles ou les batteries de différents types : alcalines, standard (carbone-zinc) ou rechargeables (nickel-cadmium).
- Insérez les batteries comme indiqué à l'intérieur du compartiment de la batterie. Retirez les batteries pendant de longues périodes de non-utilisation.
- Retirez toujours les batteries épuisées du produit. Éliminez les batteries en toute sécurité. Ne jetez pas les batteries dans un feu. Les piles peuvent exploser ou fuir.
- Ne court-circuitez jamais les bornes de batterie.
- Les batteries non rechargeables ne doivent pas être rechargées.
- N'utilisez que des batteries du même type ou de l'équivalent comme recommandé.
- Ne chargez pas les batteries non rechargeables.
- Retirez les batteries rechargeables du produit avant de les charger.
- Si des batteries rechargeables amovibles sont utilisées, elles ne doivent être chargées que sous la supervision d'un adulte.
- Ne dépassez pas 24 heures par charge. Les batteries de chargeur et de stockage chaufferont légèrement pendant la charge. N'utilisez pas d'adaptateur ou de batterie de stockage en mauvais état de marche.
- Les chargeurs et les batteries de stockage ne sont pas considérés comme des jouets.
- Veuillez faire l'inspection périodique pour la batterie de stockage, en particulier les fils et les fiches de l'adaptateur.
- Veuillez éteindre l'interrupteur lorsque le véhicule n'est pas utilisé. Veuillez faire une charge complète après de longues périodes d'inactivité.
- Chargez dans un endroit bien aéré et sec. N'ouvrez pas la batterie ou le chargeur.
- Serrez les vis à l'aide d'un tournevis. NE PAS trop serrer.

Élimination de la batterie:

1. Votre batterie au plomb scellée doit être recyclée ou éliminée d'une manière respectueuse de l'environnement.
2. Ne jetez pas votre batterie au plomb dans le feu.
3. Ne jetez pas votre batterie au plomb dans les ordures ménagères. L'incinération, la mise en décharge ou le mélange de batteries au plomb scellées avec les ordures ménagères est interdit par la loi.


PRÉVENIR LE FEU ET LES CHOCS ÉLECTRIQUES :

- Utilisez seulement la batterie rechargeable et le chargeur fournis avec votre véhicule.
- Ne JAMAIS remplacer la batterie ou le chargeur par une autre marque. L'utilisation d'une autre batterie ou d'un chargeur peut provoquer un incendie ou une explosion.
- N'utilisez pas la batterie ou le chargeur pour tout autre produit. Une surchauffe, un incendie ou une explosion pourraient se produire.
- Ne JAMAIS modifier le système de circuit électrique. La manipulation du système électrique peut provoquer un choc, un incendie ou une explosion ou endommager de façon permanente le système.
- Ne pas permettre le contact direct entre les bornes de batterie. Un incendie ou une explosion peut se produire.
- Ne mettez aucun liquide sur la batterie ou ses composants.
- Des gaz explosifs sont créés lors de la charge. Ne pas charger à proximité de chaleur ou de matériaux inflammables. Chargez la batterie dans un endroit bien ventilé **UNIQUEMENT**.
- Ne prenez JAMAIS la batterie par les fils ou le chargeur. La batterie peut être endommagée et provoquer un incendie.
- Chargez la batterie dans un endroit sec **UNIQUEMENT**.
- Les poteaux de batterie, les terminaux et les accessoires connexes contiennent du plomb et des composés de plomb, des produits chimiques connus de l'État de Californie pour causer le cancer et des dommages à la reproduction. Laver les mains après manipulation.
- N'ouvrez pas la batterie. La batterie contient de l'acide de plomb et d'autres matériaux toxiques et corrosifs.
- N'ouvrez pas le chargeur. Le câblage exposé et les circuits à l'intérieur du boîtier peuvent causer un choc électrique.
- Seuls les adultes peuvent manipuler ou charger la batterie. Ne jamais permettre à l'enfant de manipuler ou de charger la batterie. La batterie est lourde et contient de l'acide de plomb (électrolyte).
- Ne laissez pas tomber la batterie. Des dommages permanents à la batterie peuvent survenir ou causer des blessures graves.
- Avant de charger la batterie, vérifiez l'usure ou les dommages à la batterie, au chargeur, à son cordon d'alimentation et aux connecteurs. NE chargez PAS la batterie si des pièces ont été endommagées.
- Ne laissez pas la batterie s'écouler complètement. Rechargez la batterie après chaque utilisation ou une fois par mois si elle n'est pas utilisée régulièrement.
- Ne chargez pas la batterie à l'envers.
- Sécurisez toujours la batterie avec le support. La batterie peut tomber et blesser un enfant si le véhicule se renverse.
- Il est de la responsabilité des parents de vérifier les parties principales du jouet avant d'utiliser, Ils doivent examiner régulièrement les dangers potentiels, tels que la batterie, la charge, le câble ou le cordon, la prise, les vis de fixation du boîtier des autres parties et, en cas de dommage, le jouet ne doit pas l'être avant que ce dommage ait été correctement éliminé. Veillez à ce que les pièces en plastique du véhicule ne sont pas fissurées ou cassées.
- Utilisez occasionnellement une huile légère pour lubrifier les pièces mobiles telles que les roues.
- Garez le véhicule à l'intérieur ou couvrez-le d'une bâche pour le protéger des intempéries.
- Éloignez le véhicule des sources de chaleur, comme les poêles et les appareils de chauffage. Les pièces en plastique peuvent fondre.

- Rechargez la batterie après chaque utilisation. Seul un adulte peut manipuler la batterie. Rechargez la batterie au moins une fois par mois lorsque le véhicule n'est pas utilisé.
- Ne lavez pas le véhicule au tuyau d'arrosage. Ne lavez pas le véhicule avec du savon et de l'eau. Ne conduisez pas le véhicule par temps pluvieux ou neigeux. L'eau endommagera le moteur, le système électrique et la batterie.
- Nettoyez le véhicule avec un chiffon doux et sec. Pour redonner du brillant aux pièces en plastique, utilisez un produit d'entretien pour meubles non cireux. N'utilisez pas de cire pour voiture. N'utilisez pas de nettoyeurs abrasifs.
- Ne conduisez pas le véhicule dans le sable ou sur du gravier fin : les poussières pourraient endommager les pièces mobiles, les moteurs ou le système électrique.
- Lorsque vous n'utilisez pas, toute la source électrique doit être éteinte. Éteignez le commutateur d'alimentation et déconnectez la connexion de la batterie.

Si vous avez la moindre question, veuillez contacter notre centre d'assistance à la clientèle.

Nos coordonnées sont les suivantes:

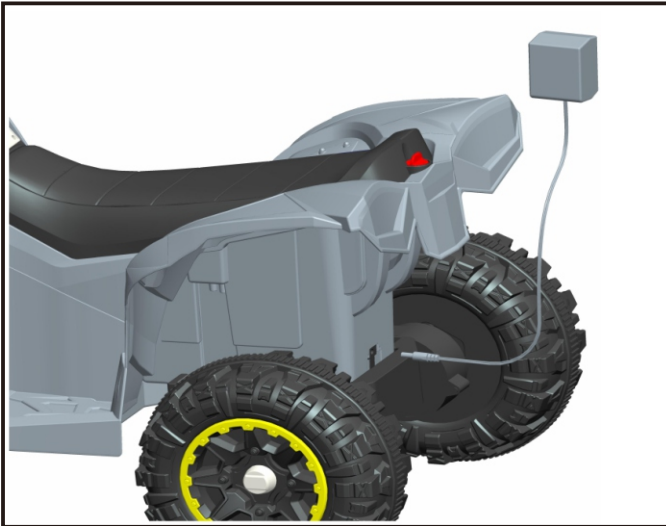
 0033-1-84166106

 aosom@mhfrance.fr

Importé par :
MH France
2, rue Maurice Hartmann
92130 Issy-les-Moulineaux
France
Fabriqué en Chine

Recharge de la batterie

La première recharge prendra environ 12 heures.



1. Chargez la batterie directement à partir de la prise située près du siège.



2. Retirez la batterie et chargez-la séparément.




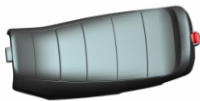






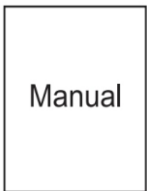
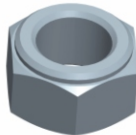


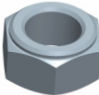

- Branchez le connecteur de la batterie dans le port du chargeur.
- Branchez le chargeur dans une prise murale standard. Le chargeur peut chauffer pendant la charge.
- N'utilisez qu'un chargeur de 12 volts pour charger votre batterie de 12 volts.
- Remarque : si l'alimentation de la prise murale est contrôlée par un interrupteur, assurez-vous que l'interrupteur est sur "ON".
- Avant la première utilisation, chargez la batterie pendant au moins 12 heures. Ne chargez jamais la batterie pendant plus de 24 heures.
- Rechargez la batterie pendant au moins 8 à 10 heures après chaque utilisation de votre véhicule.
- Ne chargez pas et ne rangez pas la batterie à l'envers. La charge génère des gaz explosifs. Chargez la batterie loin des flammes, des étincelles et des cigarettes allumées. Chargez la batterie dans un endroit bien ventilé.
- Une fois la batterie chargée, débranchez le connecteur de la batterie du connecteur du chargeur. Débranchez le chargeur de la prise murale. La batterie est maintenant prête à être installée dans votre véhicule. Veuillez consulter la section suivante sur l'installation de la batterie pour obtenir des instructions détaillées sur l'installation de votre véhicule :



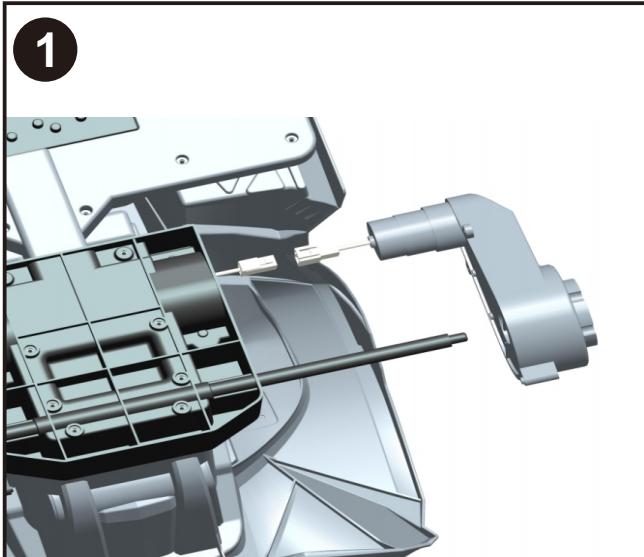
Remplacement de la batterie

1. Soulever le siège.
2. Débranchez les connecteurs de la batterie.
3. Retirer les 4 vis situées sur les côtés de la batterie.
4. Sortez la batterie de son compartiment.

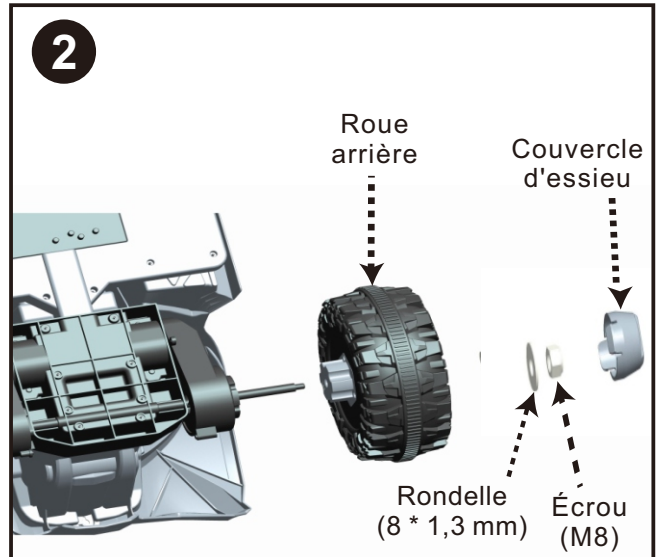
- Veuillez identifier toutes les pièces avant l'assemblage et conserver tous les matériaux d'emballage jusqu'à la fin de l'assemblage afin de vous assurer qu'aucune pièce n'est perdue.
- Les pièces métalliques ont été enduites de lubrifiant pour les protéger pendant le transport. Essuyez toutes les pièces métalliques avec une serviette en papier pour enlever tout excès de lubrifiant.

<p>A x 1</p>  <p>Carrosserie</p>	<p>B x 1</p>  <p>Barre à main</p>	<p>C x 1</p>  <p>Chargeur</p>	
<p>D x 1</p>  <p>Siège</p>	<p>E x 2</p>  <p>Roue arrière</p>	<p>F x 2</p>  <p>Roue avant</p>	
<p>G x 4</p>  <p>Couverture d'essieu</p>	<p>H x 1</p>  <p>Boîte de vitesses (L x 1, R x 1)</p>	<p>I x 1</p>  <p>Essieu arrière</p>	
<p>J x 2</p>  <p>Rondelle (12 x 1.5mm)</p>	<p>K x 1</p>  <p>Manuel</p>	<p>L x 2</p>  <p>Écrou (Pièces de rechange) (M8)</p>	
<p>M x 4</p>  <p>Rondelle (8 x 1.3mm)</p>	<p>N x 1</p>  <p>Vis (5 x 40mm)</p>	<p>O x 1</p>  <p>Écrou (M5)</p>	<p>P x 2</p>  <p>Outil à douilles</p>

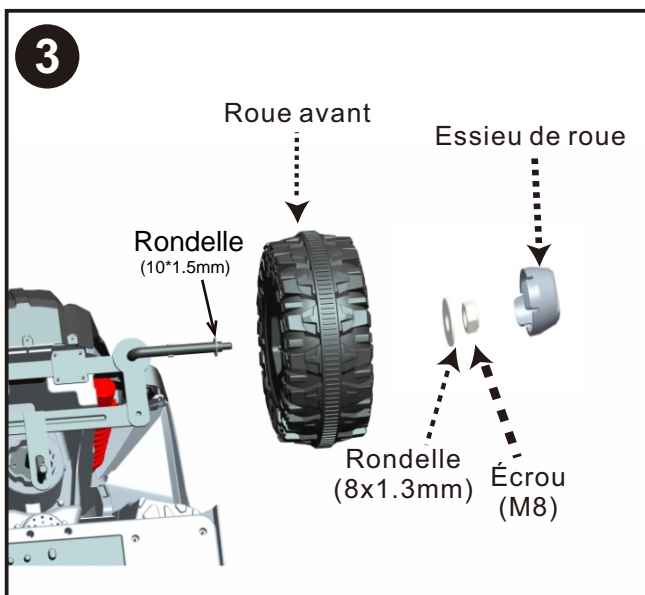
Assemblage



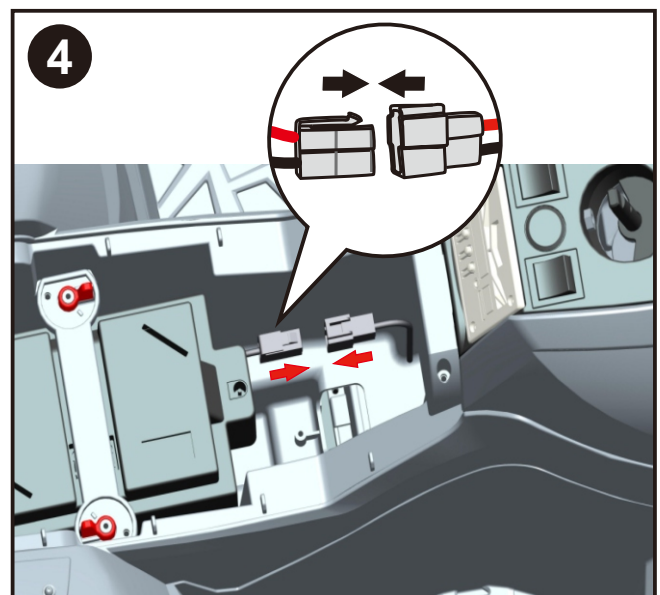
Assemblage des roues avant :
Insérez l'essieu arrière et la boîte de vitesses comme illustré. Répétez les mêmes procédures pour l'autre partie. Veuillez noter la marque « L », « R » sur la boîte de vitesses.



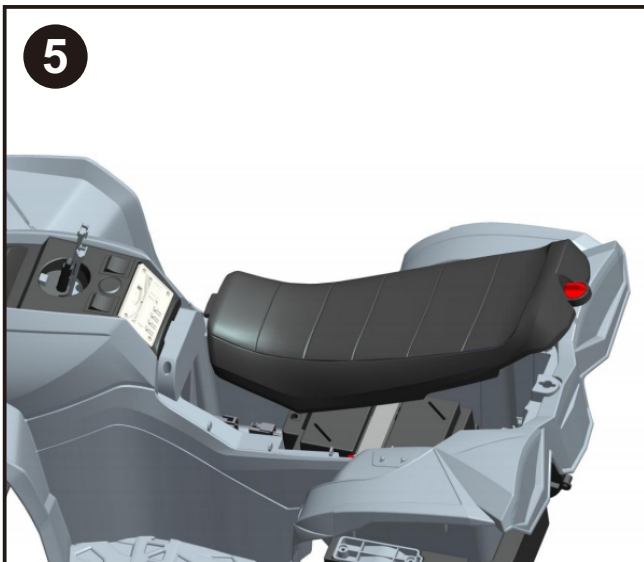
Assemblage des roues arrière :
Assemblez toutes les pièces dans l'ordre comme montré dans la Figure, Utilisez l'outil à douille pour fixer et « encliquetez » -l'essieu de roue au bon endroit. Répétez les mêmes procédures pour l'autre côté.



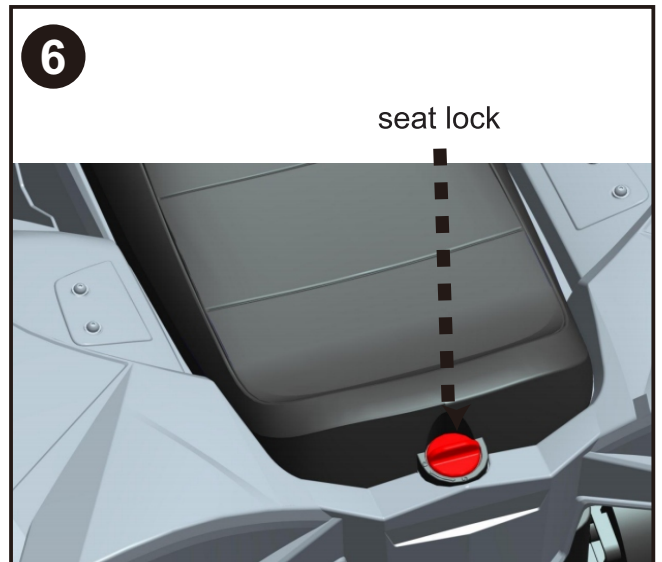
Assemblage des roues avant :
Assemblez toutes les pièces dans l'ordre comme montré dans la figure, et utilisez l'outil de douille pour les fixer, et « enclenchez » l'essieu au bon emplacement. Répétez les mêmes procédures pour l'autre côté.



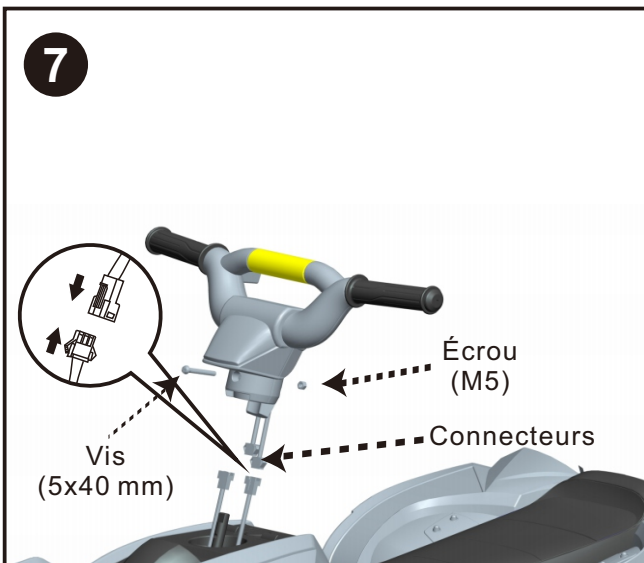
Connexion de la batterie :
Ouvrez le siège et vous pouvez voir le câble d'alimentation. Enfichez les connecteurs comme montré dans la Figure



« Enclenchez » le siège au bon endroit.



Fixez le siège par le verrou du siège.



Assemblage du guidon :

Branchez les connecteurs, placez le guidon dans l'arbre tournant, insérez une vis et un écrou pour le fixer.

Conduite du Véhicule

Interrupteur d'alimentation

Bouton de mise en marche et d'arrêt.

Marche avant

Poussez le levier de vitesses en position haute et appuyez lentement sur l'accélérateur.

Marche arrière

Abaissez le levier de vitesses et appuyez lentement sur l'accélérateur.

Vitesse lente

Le véhicule a été préréglé pour fonctionner à basse vitesse (1.5 mph, 3km/h maximum). Une fois que votre enfant a maîtrisé les techniques de conduite sûre et qu'il a compris les Règles de Conduite Sûre.

Vitesse élevée

Le véhicule doit être conduit à la vitesse la plus élevée (2 mph, 3.5kmh) maximum.

Assurez-vous que votre enfant peut maîtriser la direction et la conduite du véhicule et qu'il connaît les règles de conduite sûre.

Arrêt

Le véhicule s'arrête automatiquement lorsque l'accélérateur est relâché.

Effet sonore

Appuyez sur le bouton situé sur le volant.

Dispositif de sécurité

MISE HORS TENSION AUTOMATIQUE. Si le moteur est surchargé pour quelque raison que ce soit, y compris une utilisation incorrecte, un disjoncteur électrique coupera automatiquement le courant, puis reprendra après le refroidissement des pièces !

Entretien

- Nettoyer uniquement avec un chiffon sec et doux. Ne pas laver avec de l'eau ou des agents corrosifs.
- Rangez le véhicule dans un endroit sec lorsqu'il n'est pas utilisé, car l'humidité pourrait entraîner la corrosion des composants métalliques et des pièces électriques.
- N'oubliez pas de charger la batterie tous les mois lorsque le véhicule n'est pas utilisé régulièrement.
- Vérifiez et serrez régulièrement toutes les vis et tous les revêtements.
- Vérifiez l'absence de fissures sur toutes les pièces en plastique. Remplacez-les si nécessaire.



Dépannage

Problèmes	Causes possibles	Solutions
La voiture ne bouge pas	Disjoncteur déclenché.	Le disjoncteur peut "se déclencher" et arrêter le véhicule s'il est surchargé ou si les conditions de conduite sont trop difficiles. Le disjoncteur se réenclenchera automatiquement après environ 10 secondes, et le véhicule fonctionnera normalement. Pour éviter des arrêts automatiques répétés, ne surchargez pas le véhicule en dépassant le poids limité de 25 kg (55 lb) ou en remorquant quoi que ce soit derrière le véhicule. Ne montez pas de collines et ne heurtez pas d'objets fixes, ce qui pourrait entraîner l'arrêt de la rotation des roues alors que les moteurs sont encore alimentés.
	Fil ou connecteurs desserrés	Caler tous les fils et connecteurs. Assurez-vous que le connecteur du harnais du moteur est bien branché sur la batterie et qu'il n'y a pas de câbles détachés autour du moteur.
	Batterie morte	Une batterie ancienne ou mal entretenue peut être hors d'usage. Si vous n'êtes pas sûr qu'elle soit morte ou non, vous pouvez la faire tester par votre Centre de Service.
	Batterie sous-chargée	Une batterie neuve doit être mise en charge pendant au moins 12 heures avant d'utiliser le véhicule pour la première fois. Après cela, il faut recharger la batterie pendant au moins 8 à 10 heures après chaque utilisation. Ne chargez jamais plus de 24 heures. Vérifiez tous les connecteurs ; assurez-vous que le chargeur est branché au secteur. Assurez-vous que l'alimentation de la prise est en marche.
	Le chargeur ne fonctionne pas	Vous devez disposer d'un voltmètre pour savoir si le chargeur fonctionne ou non. Si vous pensez qu'il y a un problème avec le chargeur, apportez-le au Centre de Service qui le testera pour vous.
	Interrupteur endommagé	Lorsqu'ils sont exposés à l'eau ou à l'humidité, les interrupteurs peuvent se corroder ou se bloquer en raison de la présence de saletés, de sable ou de gravier. Contactez votre Centre de service pour un diagnostic et une réparation.

Problèmes	Causes possibles	Solutions
La voiture roulait mais s'est soudainement arrêtée	Fil ou connecteurs desserrés	Vérifiez tous les fils et connecteurs. Assurez-vous que le connecteur du harnais du moteur est bien branché sur la batterie et qu'il n'y a pas de câbles détachés autour du moteur.
	Disjoncteur déclenché.	Le disjoncteur peut "se déclencher" et arrêter le véhicule s'il est surchargé ou si les conditions de conduite sont trop difficiles. Le disjoncteur se réenclenchera automatiquement après environ 10 secondes, et le véhicule fonctionnera normalement. Pour éviter des arrêts automatiques répétés, ne surchargez pas le véhicule en dépassant le poids limité de 25 kg (55 lb) ou en tractant quoi que ce soit derrière le véhicule. Ne montez pas de côtes et ne heurtez pas d'objets fixes, ce qui peut entraîner l'arrêt de la rotation des roues alors que les moteurs sont encore alimentés. Si le disjoncteur se déclenche continuellement, contactez votre centre de service.
Temps de fonctionnement court (moins de 1 heure par charge)	Batterie sous-chargée	Une batterie neuve doit avoir été chargée pendant au moins 12 heures avant d'utiliser le véhicule pour la première fois. Après cela, il faut recharger la batterie pendant au moins 8 à 10 heures après chaque utilisation. Ne chargez jamais plus de 24 heures. Vérifiez tous les connecteurs ; assurez-vous que le chargeur est branché au secteur. Assurez-vous que l'alimentation de la prise est en marche.
	Batterie surchargée	Ne chargez jamais la batterie plus de 24 heures. Si vous pensez que la batterie est endommagée à cause d'une surcharge, contactez le Centre de service pour un test.
	Une vieille batterie ne peut prendre une charge complète	Même si elle est bien entretenue, une batterie rechargeable n'est pas éternelle. La durée de vie moyenne de la batterie est de 1 à 3 ans, selon l'utilisation du véhicule et les conditions d'utilisation. Remplacez la batterie par une nouvelle batterie rechargeable. Ne remplacez pas les pièces. Pour obtenir une batterie de rechange, veuillez contacter le Centre de service.

Problèmes	Causes possibles	Solutions
Le véhicule est lent	Batterie insuffisamment chargée	Une batterie neuve doit avoir été chargée pendant au moins 12 heures avant d'utiliser le véhicule pour la première fois. Après cela, elle doit être rechargée pendant au moins 8 à 10 heures après chaque utilisation. Ne chargez jamais plus de 24 heures. Vérifiez tous les connecteurs ; assurez-vous que le chargeur est branché au secteur. Assurez-vous que l'alimentation de la prise est en marche. Veillez à charger la batterie après chaque utilisation.
	La batterie doit être rechargée	Même si elle est bien entretenue, une batterie rechargeable n'est pas éternelle.
	Une vieille batterie ne peut prendre une charge complète	La durée de vie moyenne de la batterie est de 1 à 3 ans, selon l'utilisation du véhicule et les conditions d'utilisation. Remplacez la batterie par une batterie rechargeable neuve. Ne remplacez pas les pièces. Pour obtenir une batterie de rechange, veuillez contacter le Centre de service.
	Le véhicule est surchargé	N'autorisez pas plus d'un cycliste à la fois, respectez la capacité de poids de 25 kg (55lbs) et ne remorquez rien derrière le véhicule.
	Les conditions de conduite sont trop stressantes	Conduisez uniquement sur un sol généralement plat.
Fonctionnement intermittent du véhicule	Fil ou connecteur desserré	Vérifiez tous les câblages autour des moteurs et tous les connecteurs pour vous assurer qu'ils sont bien serrés.
	Moteur ou interrupteur électrique endommagé	Contactez votre Centre de service pour le diagnostic et la réparation.
Lorsque l'on appuie sur l'accélérateur, le véhicule ne roule pas sauf lorsqu'on le pousse.	Fil ou connecteur desserré	Vérifiez tous les câbles autour des moteurs et tous les connecteurs pour vous assurer qu'ils sont bien serrés.
	Moteur au "Point mort"	Contactez votre Centre de service pour le diagnostic et la réparation.
La boîte de vitesses du moteur émet un fort bruit de grincement ou de claquement.	Engrenages cassés	Contactez votre Centre de service pour le diagnostic et la réparation.
Le chargeur devient chaud pendant l'utilisation	Ceci est normal et ne devrait pas être une préoccupation.	Aucune action requise.
La batterie émet un gargouillement ou un grésillement pendant la charge.	Un peu de bruit et de gonflement est normal et ne devrait pas être une préoccupation.	Aucune action n'est requise. Si la batterie ne fait pas de bruit pendant la charge. Cela ne signifie pas non plus qu'elle ne prend pas la charge.

Schéma des pièces



Remarque : Certaines pièces illustrées sont montées sur les deux côtés du véhicule.

No.	Pièce	Quantité	No.	Pièce	Quantité
1.	Essieu avant	1	9.	Roue arrière	2
2.	Crochet en J	1	10.	Support arrière	1
3.	Boîtier de direction	1	11.	Carrosserie	1
4.	Support avant	1	12.	Batterie	1
5.	Roue avant	2	13.	Siège	1
6.	Couverture d'essieu	4	14.	Capot	1
7.	Essieu arrière	1	15.	Barre à main	1
8.	Boîte de vitesses	2	16.	Corps avant	1



BEDIENUNGSANLEITUNG

Bitte lesen Sie das gesamte Handbuch, bevor Sie mit der Montage beginnen. Bewahren Sie diese Anleitung zusammen mit Ihrer Kaufquittung zum späteren Nachschlagen auf.

! WARNUNG:
ERSTICKUNGSGEFAHR-Kleinteile.
Nicht für Kinder unter 36 Monate.

! WARNUNG:
Das Spielzeug muss vor dem Gebrauch von einem Erwachsenen zusammengebaut werden.

! VORSICHT
Schrauben enthalten potenziell gefährliche Spitzen oder scharfe Kanten. Montage durch einen Erwachsenen erforderlich.

! WARNUNG
Um die Verletzungsgefahr zu verringern, ist die Beaufsichtigung durch einen Erwachsenen erforderlich. Benutzen Sie das Gerät niemals auf Straßen, in der Nähe von Kraftfahrzeugen, auf oder in der Nähe von starken Steigungen oder Stufen, Schwimmbekken oder anderen Gewässern. Tragen Sie immer Schuhe, und lassen Sie nie mehr als einen Fahrer auf dem Gerät fahren.

**Inhalt, Farben und Dekoration können von der Abbildung abweichen.
WICHTIG, FÜR DIE SPÄTERE VERWENDUNG AUFBEWAHREN:
SORGFÄLTIG DURCHLESEN**

MONTAGEANWEISUNGEN

Spezifikationen:	
Batterie:	6V/4.5AH*1
Motor:	12V 550# 35W*2
Geeignetes Alter:	3+
Maximales Gewicht:	25kg
Geschwindigkeit :	3-6km/h
Geschwindigkeit :	Lademodus
Nutzungszeit:	Ladevorgang: 8-12 Stunden; Nutzungsdauer: 0.75 Stunden
Ladegerät:	Eingang AC 100-240V, 50/60 Hz, Ausgang DC 12 V 1000 mA

WARNUNG

1. Die Bilder in diesem Handbuch dienen nur zur Erläuterung der Funktionsweise und des Aufbaus des Produkts. Wenn es einen Unterschied zwischen den Bildern und dem realen Produkt gibt, nehmen Sie bitte das tatsächliche Produkt als Standard.
2. Um die Produktqualität zu verbessern, können wir die Struktur oder das Erscheinungsbild des Produkts ohne vorherige Ankündigung ändern. Vielen Dank für Ihr Verständnis.

LESEN SIE FÜR DIE SICHERHEIT IHRES KINDES BITTE ALLE WARNHINWEISE UND MONTAGE- / GEBRAUCHSANLEITUNG. BEWAHREN SIE DIESE ANLEITUNG ZUM SPÄTEREN NACHSCHLAGEN GUT AUF.

- MONTAGE ERFOLGT NUR DURCH ERWACHSENE. Das Produkt enthält Kleinteile, die nur durch Erwachsene montiert werden dürfen. Halten Sie kleine Kinder bei der Montage fern.
- Entfernen Sie vor dem Zusammenbau unbedingt Schutzmaterialien und Plastiktüten und entsorgen Sie diese.
- Lassen Sie Kinder niemals unbeaufsichtigt. Eine direkte Aufsicht durch Erwachsene ist erforderlich.
- Halten Sie das Kind immer im Blick, wenn sich das Kind im Fahrzeug befindet.
- Halten Sie Kinder in sicheren Fahrgebieten:
 - Verwenden Sie das Produkt niemals auf Straßen, in der Nähe von Kraftfahrzeugen, auf Rasenflächen, an oder in der Nähe von steilen Hängen oder Stufen, Schwimmbädern oder anderen gefährlichen Bereichen .
- Verwenden Sie das Spielzeug nur auf ebenen Flächen. Zum Beispiel in Ihrem Haus, in Ihrem Garten oder auf dem Spielplatz.
- Verwenden Sie niemals im Dunkeln. Kinder können auf unerwartete Hindernisse stoßen und Unfälle haben. Betreiben Sie das Fahrzeug nur tagsüber oder an einem gut beleuchteten Ort.
- Vermeiden Sie, auf Sand oder anderem unebenem Boden zu fahren.
- Tragen Sie immer Schuhe.
- Setzen Sie sich immer auf den Sitz.
- Dieses Spielzeug hat keine Bremse.
- Es ist verboten, den Stromkreis zu wechseln oder andere elektrische Teile hinzuzufügen
- Überprüfen Sie die Kabel und Anschlüsse des Fahrzeugs regelmäßig.
- Lassen Sie keine Kinder die Räder berühren oder sich in deren Nähe befinden, während sich das Fahrzeug bewegt.
- Dieses Fahrzeug verfügt über einstellbare Sicherheitsgurte. Bitte weisen Sie die Kinder vor dem Gebrauch an, den Sicherheitsgurt anzulegen, um die Sicherheit zu gewährleisten.

INFORMATIONEN UND WARTUNG DES AKKUS

- Bitte laden Sie den Akku 8 bis 12 Stunden vor dem ersten Gebrauch auf.
- Bitte laden Sie den Akku mit dem geeigneten Stromadapter auf, da sonst der Aufsitz beschädigt wird.
- Bitte laden Sie das Fahrzeug auf, sobald die Geschwindigkeit niedriger als die normale Geschwindigkeit ist. Andernfalls wird die Lebensdauer der Akkus verkürzt.
- Bitte laden Sie den Akku vor dem Fahren vollständig auf, und denken Sie daran, den Akku alle 30 Tage aufzuladen. Dadurch wird die ordnungsgemäße Verwendung des Akkus sichergestellt. Andernfalls kann der Akku ohne ordnungsgemäße Wartung möglicherweise nicht aufgeladen werden.
- Bei Batterien können Flüssigkeiten austreten, die zu Verätzungen oder Schäden an Ihrem Produkt führen können.
- Um ein Auslaufen der Batterie zu vermeiden: Mischen Sie keine alten und neuen Batterien oder Batterien unterschiedlichen Typs: Alkali-, Standard- (Kohlenstoff-Zink-) oder wiederaufladbare (Nickel-Cadmium-) Batterien.
- Legen Sie die Batterien wie angegeben ins Batteriefach ein. Entfernen Sie die Batterien bei längerem Nichtgebrauch.
- Entfernen Sie immer verbrauchte Batterien aus dem Produkt. Entsorgen Sie Batterien sicher. . Werfen Sie die Batterien nicht ins Feuer. Die Batterien können explodieren oder auslaufen.
- Schließen Sie niemals die Batterieklemmen kurz.
- Nicht wiederaufladbare Batterien dürfen nicht aufgeladen werden.
- Verwenden Sie nur Batterien des gleichen oder eines gleichwertigen Typs wie empfohlen.
- Laden Sie keine nicht wiederaufladbaren Batterien auf.
- Entfernen Sie vor dem Aufladen wiederaufladbare Batterien aus dem Produkt.
- Wenn austauschbare Akkus verwendet werden, dürfen diese nur unter Aufsicht von Erwachsenen aufgeladen werden.
- Jede einzelne Aufladung kann nicht länger als 24 Stunden dauern. Sowohl das Ladegerät als auch die Akkus werden während des Ladevorgangs leicht warm. Verwenden Sie keinen defekten Adapter oder Akku, es sei denn, diese wurden repariert.
- Ladegeräte und Akkus gelten nicht als Spielzeug.
- Bitte überprüfen Sie regelmäßig den Akku, insbesondere die Adapterkabel und -stecker.
- Bitte schalten Sie den Schalter aus, wenn der Aufsitz nicht benutzt wird. Bitte führen Sie nach längerer Inaktivität eine vollständige Aufladung durch.
- Laden Sie das Gerät an einem gut belüfteten, trockenen Ort auf. Öffnen Sie nicht den Akku oder das Ladegerät.
- Ziehen Sie die Schrauben mit einem Schraubendreher fest. Nicht überdrehen.

Entsorgung der Batterie:

1. Ihre versiegelte Blei-Säure-Batterie muss umweltgerecht recycelt oder entsorgt werden.
2. Werfen Sie keine Blei-Säure-Batterien ins Feuer. Die Batterie kann explodieren oder auslaufen.
3. Entsorgen Sie keine Blei-Säure-Batterien in Ihrem täglichen Hausmüll. Die Verbrennung, Deponierung oder Vermischung von versiegelten Blei-Säure-Batterien mit Hausmüll ist gesetzlich verboten.

FEUER UND STROMSCHLAG VERHINDERN:

- Verwenden Sie den einzigen mit Ihrem Fahrzeug gelieferten Akku und Ladegerät.
- Ersetzen Sie den Akku oder das Ladegerät NIEMALS durch Akkus oder Ladegeräte anderer Marken. Die Verwendung eines anderen Akkus oder Ladegeräts kann einen Brand oder eine Explosion verursachen.
- Verwenden Sie den Akku oder das Ladegerät nicht für andere Produkte. Überhitzung, Brand oder Explosion können auftreten.
- Modifizieren Sie NIEMALS das Stromkreissystem. Manipulationen am elektrischen System können zu Stromschlägen, Bränden oder Explosionen führen oder das System dauerhaft beschädigen.
- Lassen Sie keinen direkten Kontakt zwischen den Batterieklemmen zu. Brand oder Explosion können auftreten.
- Lassen Sie keine Flüssigkeit auf die Batterie oder ihre Komponenten fallen.
- Explosive Gase entstehen beim Laden. Laden Sie das Gerät nicht in der Nähe von hohen Temperaturen oder brennbaren Materialien auf. Laden Sie den Akku NUR an einem gut belüfteten Ort auf.
- Nehmen Sie den Akku NIEMALS mit Kabeln oder einem Ladegerät auf. Dies könnte die Batterie beschädigen und einen Brand verursachen. Nehmen Sie die Batterie EINFACH aus dem Gehäuse heraus.
- Laden Sie den Akku NUR an einem trockenen Ort auf.

- Batteriepole, Klemmen und zugehöriges Zubehör enthalten Blei und Bleiverbindungen, Chemikalien, von denen bekannt ist, dass sie im Bundesstaat California Krebs und Reproduktionsschäden verursachen. Waschen Sie nach der Handhabung Ihre Hände.
- Öffnen Sie den Akku nicht. Batterien enthalten Blei und andere giftige und ätzende Substanzen.
- Öffnen Sie das Ladegerät nicht. Freiliegende Kabel und Stromkreise im Gehäuse können einen elektrischen Schlag verursachen.

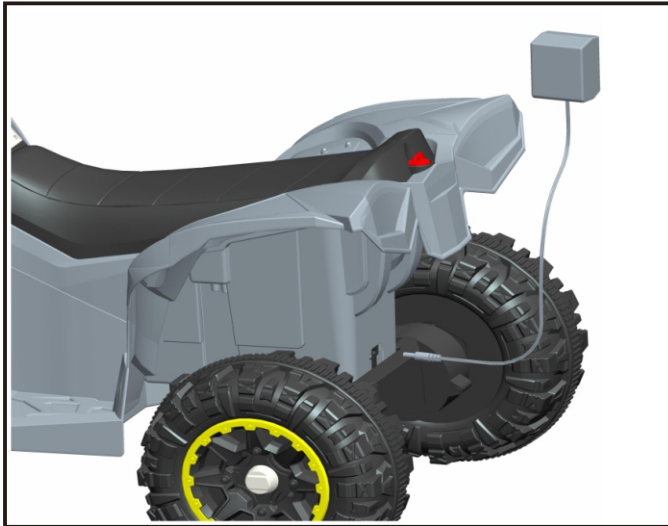
NUR Erwachsene dürfen den Akku handhaben oder aufladen. Lassen Sie Kinder NIEMALS den Akku handhaben oder aufladen. Die Batterie ist schwer und enthält Blei (Elektrolyse).

- Lassen Sie den Akku nicht fallen. Die Batterie kann dauerhaft beschädigt werden oder schwere Verletzungen verursachen.
- Überprüfen Sie vor dem Aufladen des Akkus, ob der Akku, das Ladegerät, das Netzkabel und die Anschlüsse abgenutzt oder beschädigt sind. Laden Sie den Akku NICHT auf, wenn Teile beschädigt wurden.
- Lassen Sie den Akku nicht vollständig entladen. Laden Sie den Akku nach jedem Gebrauch oder einmal im Monat auf, wenn Sie ihn nicht regelmäßig verwenden.
- Laden Sie den Akku nicht verkehrt herum auf.
- Sichern Sie den Akku immer mit einer Halterung. Die Batterie kann herausfallen und ein Kind verletzen, wenn das Fahrzeug umkippt.
- Es liegt in der Verantwortung der Eltern, die Hauptteile des Spielzeugs vor dem Gebrauch zu überprüfen. Sie müssen regelmäßig auf mögliche Gefahren wie Batterie, Ladegerät, Kabel oder Drähte, Stecker und Schrauben usw. prüfen. Im Falle eines solchen Schadens darf das Spielzeug erst verwendet werden, wenn dieser Schaden ordnungsgemäß beseitigt wurde. Stellen Sie sicher, dass die Kunststoffteile des Fahrzeugs keine Risse oder Brüche aufweisen.
- Verwenden Sie gelegentlich ein Leichtöl, um bewegliche Teile wie Räder zu schmieren.
- Parken Sie das Fahrzeug in Innenräumen oder decken Sie es mit einer Plane ab, um es vor nassem Wetter zu schützen.
- Halten Sie das Fahrzeug von Wärmequellen wie Öfen und Heizungen fern. Kunststoffteile können schmelzen.

- Laden Sie den Akku nach jedem Gebrauch auf. Nur Erwachsene können den Akku handhaben. Laden Sie den Akku mindestens einmal im Monat auf, wenn das Fahrzeug lange nicht verwendet wird.
- Waschen Sie das Fahrzeug nicht mit einem Schlauch. Waschen Sie das Fahrzeug nicht mit Wasser und Seife. Fahren Sie das Fahrzeug nicht bei Regen oder Schnee. Wasser kann den Motor, das elektrische System und die Batterie beschädigen.
- Reinigen Sie das Fahrzeug mit einem weichen, trockenen Tuch. Verwenden Sie eine Möbelpolitur ohne Wachs, um den Glanz von Kunststoffteilen wiederherzustellen. Verwenden Sie kein Autowachs. Verwenden Sie keine Scheuermittel.
- Fahren Sie das Fahrzeug nicht in losem Schmutz, Sand oder feinem Kies, der bewegliche Teile, Motoren oder das elektrische System beschädigen könnte.
- Wenn Sie das Fahrzeug nicht verwenden, sollte die gesamte Stromversorgung ausgeschaltet sein. Schalten Sie den Netzschalter aus und trennen Sie den Batterieanschluss.

Laden Sie den Akku auf

Die erste Ladung dauert etwa 12 Stunden.



1. Laden Sie den Akku direkt an der Steckdose in der Nähe des Sitzes.



2. Nehmen Sie den Akku heraus. Laden Sie den Akku separat auf.

- Stecken Sie den Stecker des Akkus in den Anschluss des Ladegeräts.
- Stecken Sie das Ladegerät in eine normale Steckdose. Das Ladegerät kann sich während des Ladevorgangs warm anfühlen.
- Verwenden Sie nur das 12-Volt-Ladegerät, um Ihren 12-Volt-Akku zu laden.
- Hinweis: Wenn der Stromfluss zur Steckdose über einen Schalter gesteuert wird, stellen Sie sicher, dass der Schalter auf „EIN“ steht.
- Laden Sie den Akku vor dem ersten Gebrauch mindestens 12 Stunden lang auf. Laden Sie den Akku niemals länger als 24 Stunden auf.
- Laden Sie den Akku nach jedem Gebrauch Ihres Fahrzeugs mindestens 8-10 Stunden lang auf.
- Laden und lagern Sie den Akku nicht auf dem Kopf stehend. Beim Aufladen entstehen explosive Gase. Laden Sie den Akku fern von Flammen, Funken und brennenden Zigaretten. Laden Sie den Akku in einem gut belüfteten Bereich auf.
- Wenn der Akku aufgeladen ist, ziehen Sie den Stecker des Akkus vom Stecker des Ladegeräts ab. Ziehen Sie den Stecker des Ladegeräts aus der Steckdose. Der Akku kann nun in Ihr Fahrzeug eingebaut werden. Detaillierte Anweisungen zum Einbau in Ihr Fahrzeug finden Sie im folgenden Abschnitt zum Einbau des Akkus:



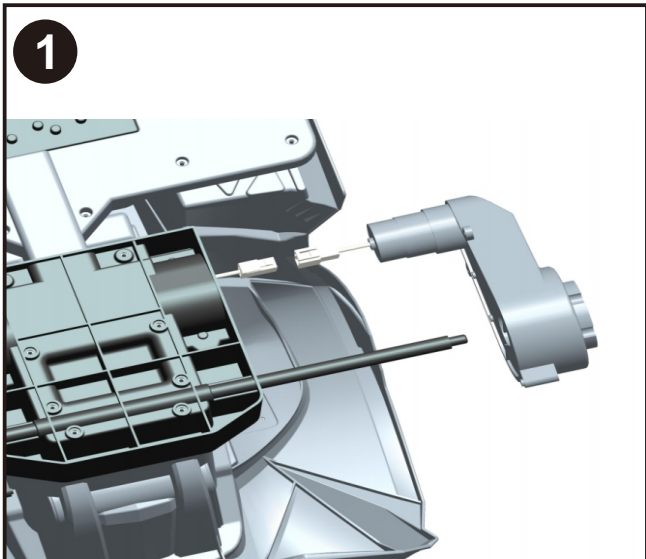
Auswechseln des Akkus

1. Heben Sie den Sitz heraus.
2. Trennen Sie die Verbindungsstücke des Akkus.
3. Entfernen Sie die 4 Schrauben an den Seiten des Akkus.
4. Nehmen Sie den Akku aus den Akkufächern heraus.

- Bitte kennzeichnen Sie alle Teile vor dem Zusammenbau und bewahren Sie das gesamte Verpackungsmaterial bis zum Abschluss des Zusammenbaus auf, um sicherzustellen, dass keine Teile weggeworfen werden.
- Metallteile sind zum Schutz während des Transports mit einem Schmiermittel überzogen worden. Wischen Sie alle Metallteile mit einem Papiertuch ab, um überschüssiges Schmiermittel zu entfernen.

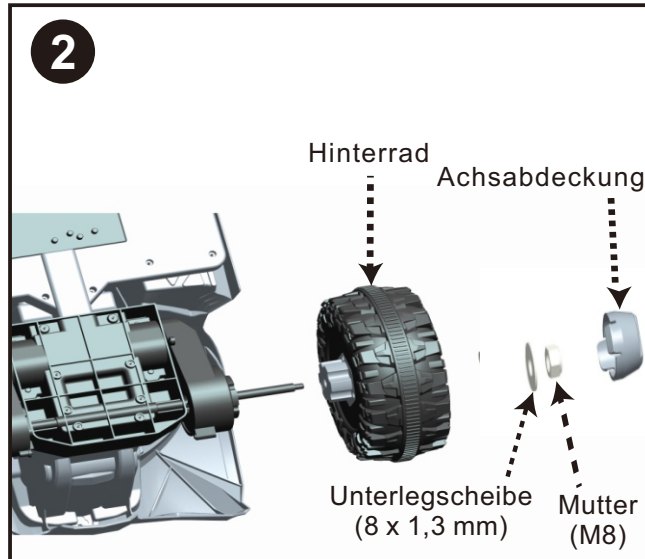
<p>A x 1</p>  <p>Hauptkörper</p>	<p>B x 1</p>  <p>Schiebebügel</p>	<p>C x 1</p>  <p>Ladegerät</p>	
<p>D x 1</p>  <p>Sitz</p>	<p>E x 2</p>  <p>Hinterrad</p>	<p>F x 2</p>  <p>Vorderrad</p>	
<p>G x 4</p>  <p>Achsabdeckung</p>	<p>H x 1</p>  <p>Getriebe (L x 1, R x 1)</p>	<p>I x 1</p>  <p>Hinterachse</p>	
<p>J x 2</p>  <p>Unterlegscheibe (12 x 1,5 mm)</p>	<p>K x 1</p>  <p>Handbuch</p>	<p>L x 2</p>  <p>Mutter (Ersatzteil) (M8)</p>	
<p>M x 4</p>  <p>Unterlegscheibe (8 x 1,3 mm)</p>	<p>N x 1</p>  <p>Schraube (5 x 40 mm)</p>	<p>O x 1</p>  <p>Mutter (M5)</p>	<p>P x 2</p>  <p>Steckschlüssel</p>

Montage



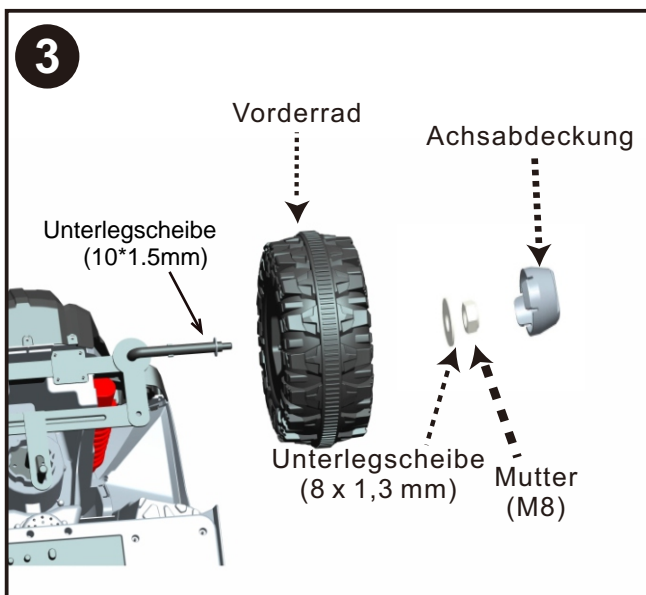
Vorderräder-Baugruppe:

Setzen Sie die Hinterachse und das Getriebe wie abgebildet ein. Wiederholen Sie die gleichen Schritte für die andere Seite. Beachten Sie die Markierungen „L“ und „R“ auf dem Getriebe.



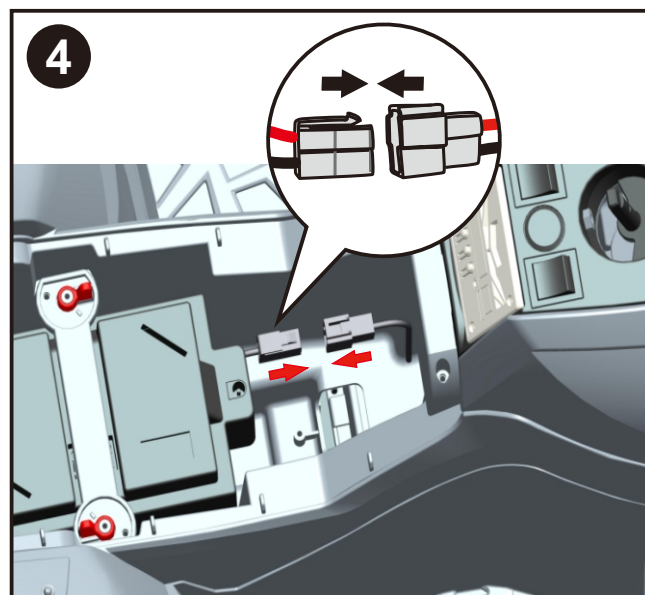
Hinterräder-Baugruppe:

Bauen Sie alle Teile in der abgebildeten Reihenfolge zusammen und verwenden Sie den Steckschlüssel, um die Achsabdeckung an der richtigen Stelle zu befestigen und „einrasten“. Wiederholen Sie die gleichen Schritte für die andere Seite.



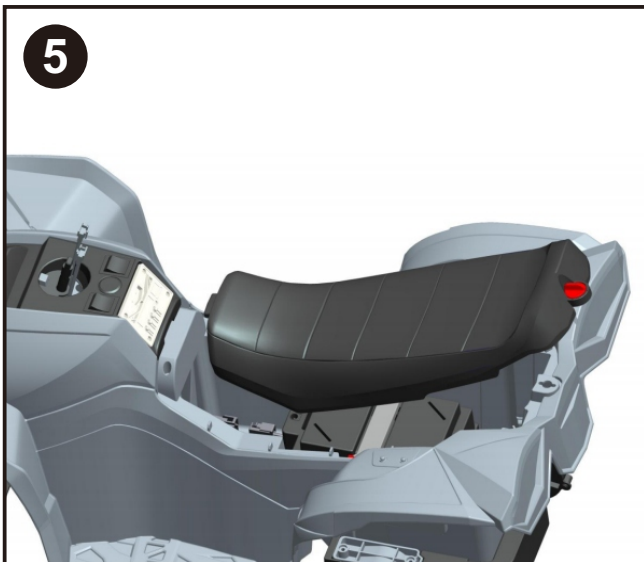
Vorderräder-Baugruppe

Bauen Sie alle Teile in der abgebildeten Reihenfolge zusammen und verwenden Sie den Steckschlüssel, um die Achsabdeckung an der richtigen Stelle zu befestigen und „einrasten“. Wiederholen Sie die gleichen Schritte für die andere Seite.

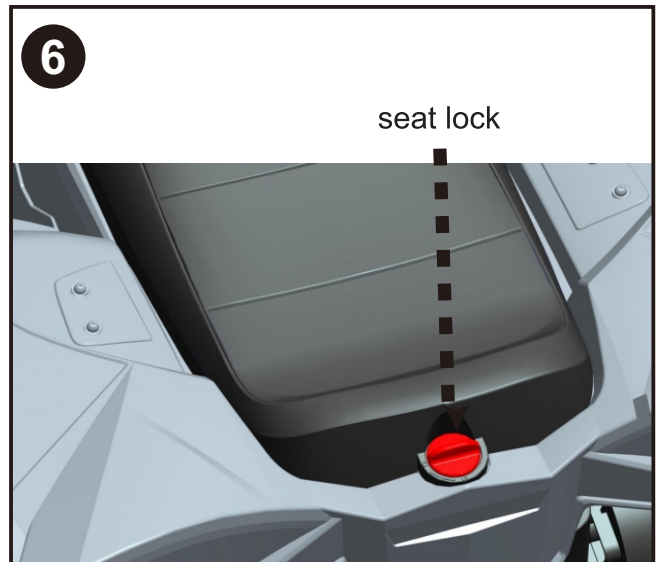


Anschluss des Akkus:

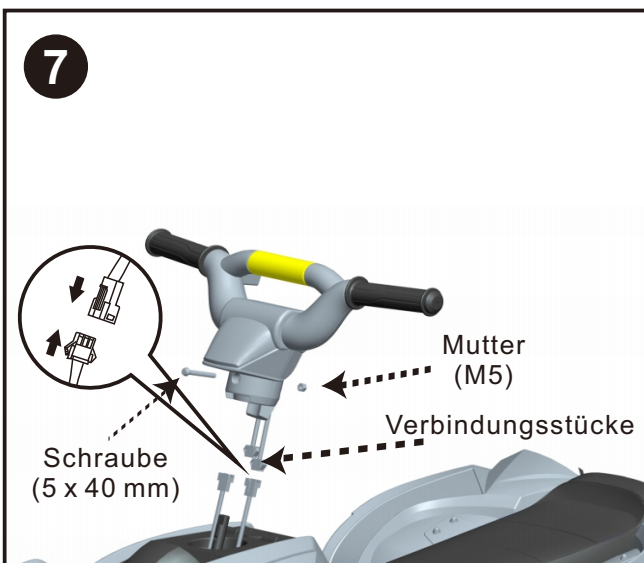
Öffnen Sie den Sitz und Sie können das Stromkabel sehen. Stecken Sie die Stecker wie im Bild gezeigt.



5 „Rasten“ Sie den Sitz an der richtigen Stelle ein.



6 Sichern Sie den Sitz mit dem Sitzschloss.



Handgriff-Baugruppe:

Stecken Sie die Verbindungsstücke ein, setzen Sie den Handgriff in die Drehachse ein und befestigen Sie ihn mit einer Schraube und einer Mutter.

Bedienung Ihres Fahrzeugs

Ein-/Aus-Schalter

Schalten Sie die Taste EIN und AUS.

Vorwärts

Schieben Sie den Schalthebel nach oben und drücken Sie langsam das Gaspedal.

Rückwärts

Schieben Sie den Schalthebel nach unten und geben Sie langsam Gas.

Niedrige Geschwindigkeit

Das Fahrzeug wurde für den Betrieb mit niedriger Geschwindigkeit (3 km/h maximal) voreingestellt. Sobald Ihr Kind das sichere Fahren beherrscht und die Regeln für sicheres Fahren verstanden hat.

Hohe Geschwindigkeit

Das Fahrzeug soll mit der höheren Geschwindigkeit (maximal 3.5 km/h) gefahren werden.

Stellen Sie sicher, dass Ihr Kind das Fahrzeug sicher lenken und bedienen kann und die Regeln für sicheres Fahren kennt.

Anhalten

Das Fahrzeug wird automatisch angehalten, nachdem das Gaspedal losgelassen wurde.

Klangeffekt

Drücken Sie die Taste am Lenkrad.

Sicherheitseinrichtung

AUTOMATISCHE STROMABSCHALTUNG.
Wenn der Motor aus irgendeinem Grund, auch bei unsachgemäßem Gebrauch, überlastet wird, schaltet ein elektrischer Schutzschalter automatisch den Strom ab und schaltet sich nach Abkühlung der Teile wieder ein!

Wartung

- Reinigung nur mit einem trockenen, weichen Tuch. Nicht mit Wasser oder ätzenden Mitteln waschen.
- Lagern Sie das Fahrzeug bei Nichtgebrauch an einem trockenen Ort, da Feuchtigkeit die Metallkomponenten und elektrischen Teile korrodieren lassen könnte.



Fehlersuche

Problem	Mögliche Ursache	Lösung
car does not move	Unterbrecher ausgelöst	Der Schutzschalter kann „auslösen“ und das Fahrzeug anhalten, wenn es überlastet ist oder die Fahrbedingungen zu schwer sind. Der Unterbrecher wird nach ca. 10 Sekunden automatisch zurückgesetzt, und das Fahrzeug arbeitet normal. Um wiederholte automatische Abschaltungen zu vermeiden, überlasten Sie das Fahrzeug nicht, indem Sie die Gewichtsbeschränkung von 25 kg (55 Pfund) überschreiten. Oder indem Sie etwas hinter dem Fahrzeug herziehen. Fahren Sie nicht bergauf und stoßen Sie nicht gegen feste Gegenstände, da dies dazu führen kann, dass die Räder aufhören, sich zu drehen, während die Motoren noch mit Strom versorgt werden.
	Lose Kabel oder Stecker	Vergewissern Sie sich, dass der Stecker des Motorkabelbaums fest mit dem Akku verbunden ist und dass keine losen Drähte um den Motor herum vorhanden sind.
	Leerer Akku	Ein alter oder unsachgemäß gepflegter Akku kann leer sein. Wenn Sie sich nicht sicher sind, ob sie leer ist, können Sie sie in Ihrem Service-Center testen lassen.
	Zu wenig geladener Akku	Ein neuer Akku sollte vor der ersten Benutzung des Fahrzeugs mindestens 12 Stunden lang aufgeladen werden. Danach muss der Akku nach jedem Gebrauch mindestens 8-10 Stunden lang aufgeladen werden. Laden Sie niemals länger als 24 Stunden. Überprüfen Sie alle Anschlüsse; stellen Sie sicher, dass das Ladegerät an der Steckdose angeschlossen ist. Vergewissern Sie sich, dass der Stromfluss zur Steckdose eingeschaltet ist.
	Das Ladegerät funktioniert nicht	Sie müssen ein Voltmeter haben, um festzustellen, ob das Ladegerät funktioniert oder nicht. Wenn Sie glauben, dass es ein Problem mit dem Ladegerät gibt, bringen Sie es zum Service-Center, wo man es für Sie testen wird
	Beschädigter Schalter	Wenn sie Wasser oder Feuchtigkeit ausgesetzt sind, können Schalter korrodieren oder sich durch losen Schmutz, Sand oder Kies verklemmen. Wenden Sie sich zur Diagnose und Reparatur an Ihr Service Center.

Problem	Mögliche Ursache	Lösung
Das Auto lief, blieb aber plötzlich stehen	Lose Kabel oder Stecker	Prüfen Sie alle Drähte und Stecker. Vergewissern Sie sich, dass der Stecker des Motorkabelbaums fest in den Akku eingesteckt ist und dass keine losen Drähte um den Motor herum vorhanden sind.
	Unterbrecher ausgelöst	Der Schutzschalter kann „auslösen“ und das Fahrzeug anhalten, wenn es überlastet ist oder die Fahrbedingungen zu schwer sind. Der Unterbrecher wird nach ca. 10 Sekunden automatisch zurückgesetzt, und das Fahrzeug arbeitet normal. Um wiederholte automatische Abschaltungen zu vermeiden, überlasten Sie das Fahrzeug nicht, indem Sie die Gewichtsbeschränkung von 25 kg (55 Pfund) überschreiten oder etwas hinter dem Fahrzeug herziehen. Fahren Sie nicht bergauf und stoßen Sie nicht gegen feste Gegenstände, da dies dazu führen kann, dass die Räder aufhören, sich zu drehen, während die Motoren noch mit Strom versorgt werden. Wenn der Unterbrecher ständig auslöst, wenden Sie sich an Ihr Service-Center.
Kurze Betriebszeit (weniger als 1 Stunde pro Ladung)	Zu wenig geladener Akku	Ein neuer Akku sollte vor der ersten Benutzung des Fahrzeugs mindestens 12 Stunden lang aufgeladen werden. Danach muss der Akku nach jedem Gebrauch mindestens 8-10 Stunden lang aufgeladen werden. Laden Sie niemals länger als 24 Stunden. Überprüfen Sie alle Anschlüsse; stellen Sie sicher, dass das Ladegerät an der Steckdose angeschlossen ist.
	Überladener Akku	Vergewissern Sie sich, dass der Stromfluss zur Steckdose eingeschaltet ist. Laden Sie den Akku nie länger als 24 Stunden. Wenn Sie glauben, dass der Akku durch Überladung beschädigt sein könnte, wenden Sie sich an das Service Center zur Überprüfung
	Alter Akku lässt sich nicht voll aufladen	Auch bei richtiger Pflege hält ein Akku nicht ewig. Die durchschnittliche Lebensdauer eines Akkus beträgt 1 bis 3 Jahre, je nach Fahrzeugnutzung und Einsatzbedingungen. Ersetzen Sie den Akku durch einen neuen Akku. Wenden Sie sich an das Service Center, um einen Ersatzakku zu erhalten.

Problem	Mögliche Ursache	Lösung
Fahrzeug ist schwergängig	Zu wenig geladener Akku	Ein neuer Akku sollte vor der ersten Benutzung des Fahrzeugs mindestens 12 Stunden lang aufgeladen werden. Danach muss der Akku nach jedem Gebrauch mindestens 8-10 Stunden lang aufgeladen werden. Laden Sie niemals länger als 24 Stunden. Überprüfen Sie alle Anschlüsse; stellen Sie sicher, dass das Ladegerät an der Steckdose angeschlossen ist. Vergewissern Sie sich, dass der Stromfluss zur Steckdose eingeschaltet ist
	Akku muss aufgeladen werden	Achten Sie darauf, den Akku nach jedem Gebrauch zu laden
	Alter Akku lässt sich nicht voll aufladen	Auch bei richtiger Pflege hält ein Akku nicht ewig. Die durchschnittliche Lebensdauer eines Akkus beträgt 1 bis 3 Jahre, je nach Fahrzeugnutzung und Einsatzbedingungen. Ersetzen Sie den Akku durch einen neuen Akku. Tauschen Sie keine Teile aus. Um einen Ersatzakku zu erhalten, wenden Sie sich bitte an das Service-Center.
	Das Fahrzeug ist überladen	Lassen Sie nicht mehr als 1 Fahrer auf einmal zu, beachten Sie die 25 kg (55 Pfund) Gewichtskapazität und ziehen Sie nichts hinter dem Fahrzeug her.
	Die Fahrbedingungen sind zu schwer	Benutzen Sie das Fahrzeug nur auf einem allgemein ebenen Untergrund.
Intermittierender Fahrzeugbetrieb	Lose Kabel oder Stecker Motor oder elektrischer	Überprüfen Sie alle Kabel um die Motoren und alle Stecker auf festen Sitz
	Schalter beschädigt	Wenden Sie sich zur Diagnose und Reparatur an Ihr Service Center.
Wenn das Gaspedal betätigt wird, fährt das Fahrzeug nicht, ohne dass ein Anstoß erfolgt	Lose Kabel oder Stecker	Prüfen Sie alle Kabel um die Motoren und alle Stecker auf festen Sitz.
	„Toter Punkt“ am Motor	Wenden Sie sich zur Diagnose und Reparatur an Ihr Service Center.
Motorgetriebe macht ein lautes Schleif- oder Klackgeräusch	Gebrochene Zahnräder	Wenden Sie sich zur Diagnose und Reparatur an Ihr Service Center
Das Ladegerät wird während des Betriebs warm	Dies ist normal und sollte nicht besorgniserregend sein.	Es sind keine Maßnahmen erforderlich.
Der Akku macht beim Laden gurgelnde oder brutzelnde Geräusche	Ein gewisses Geräusch und Anschwellen ist normal und sollte kein Grund zur Besorgnis sein	Es sind keine Maßnahmen erforderlich. Wenn der Akku während des Ladens keine Geräusche macht. Das bedeutet nicht, dass er den Ladevorgang nicht annimmt.

Teilediagramm



Hinweis: Einige der abgebildeten Teile sind an beiden Seiten des Fahrzeugs montiert.

Nr. Teil	Menge	Nr. Teil	Menge
1. Vorderachsen-Baugruppe	1	9. Hinterradmontage	2
2. J-Haken	1	10. Hintere Stützhalterung	1
3. Lenkgetriebe	1	11. Hauptkörper	1
4. Vordere Stützhalterung	1	12. Zusammenbau des Akkus	1
5. Vorderradmontage	2	13. Sitz	1
6. Achsabdeckung	4	14. Motorhaube	1
7. Hinterachse	1	15. Handgriff-Baugruppe	1
8. Getriebe	2	16. Vordere Karosserie-Baugruppe	1



MANUAL DEL PROPIETARIO

Lea todo el manual cuidadosamente antes de empezar el montaje.
 Guarde este manual junto con su recibo de compra para las referencias futuras.

⚠ ADVERTENCIA:
 PELIGRO DE ASFIXIA-Hay piezas pequeñas. No es adecuada para los niños menores de 3 años.

⚠ ADVERTENCIA:
 El juguete debe ser montado por un adulto antes del uso.

⚠ PRECAUCIÓN
 Los tornillos pueden tener puntas o bordes afilados potencialmente peligrosos. Se requiere que el adulto realice el montaje.

⚠ ADVERTENCIA
 Con el fin de reducir el riesgo de lesiones, se requiere la supervisión de un adulto. Nunca utilice esta excavadora en caminos, cerca de vehículos motorizados, en o cerca de pendientes o escalones empinados, piscinas u otros cuerpos de agua. Siempre debe usar zapatos y nunca permita que más de un usuario la utilice al mismo tiempo.

El contenido, los colores y las decoraciones de la excavadora pueden variar de los mostrados.

IMPORTANTE, LEA DETENIDAMENTE Y GUARDE PARA FUTURAS REFERENCIAS.

INSTRUCCIONES DE MONTAJE

Especificaciones:	
Batería:	12V/4.5AH*1
Motor:	12V 550# 35W*2
Edades adecuadas:	3+
Peso máximo:	25kg
Velocidad:	3-6km/h
Modo de energía:	Tipo de carga
Uso del tiempo:	Carga: 8-12 horas ; Uso: 0.75 horas
Cargador:	Entrada AC 100-240V, 50/60Hz, Salida DC 12V 1000 mA

ADVERTENCIA

1. Las imágenes en estas instrucciones son solo para indicar el funcionamiento y la estructura del producto, cuando haya alguna diferencia con el producto real, consulte el producto real.
2. Para mejorar la calidad del producto, podemos modificar alguna estructura o apariencia del producto sin notificación previa. Muchas gracias por su comprensión.

PARA PROTEGER LA SEGURIDAD DE SU NIÑO/A, LEA TODAS LAS ADVERTENCIAS E INSTRUCCIONES DE MONTAJE / USO. GUARDE ESTA GUÍA BIEN PARA LAS FUTURAS REFERENCIAS.

- SE REQUIERE MONTAJE POR UN ADULTO. La motocicleta contiene piezas pequeñas, se requiere que los adultos realicen el montaje solamente. Mantenga a los niños pequeños alejados del lugar para realizar el montaje.
- Antes de realizar el montaje, siempre retire el material protector y las bolsas de polietileno y deséchelas.
- Nunca deje al/la niño/a sin supervisión. Se requiere la supervisión directa desde un adulto.
- Siempre mantenga al/la niño/a a la vista cuando esté en la motocicleta.
- Mantenga a los niños dentro de las áreas seguras para circular:
 - Nunca utilice la motocicleta en carreteras, cerca de vehículos de motor, en espacios de césped, en o cerca de pendientes o escalones empinados, piscinas o cualquier otra área peligrosa.
- Solo utilice la motocicleta de juguete sobre superficies planas. Por ejemplo, dentro de su casa, jardín o parque infantil.
- Nunca utilice la motocicleta en la oscuridad. Un/a niño/a podría encontrar obstáculos inesperados y provocar un accidente. Opere la motocicleta solo durante el día o en un lugar bien iluminado.
- Evite utilizar la motocicleta sobre arena o cualquier otro terreno accidentado.
- siempre use zapatos adecuados.
- Siempre siéntese en el asiento de la motocicleta.
- Esta motocicleta de juguete no tiene freno.
- Está prohibido cambiar el circuito o agregar otras partes eléctricas.
- Inspeccione los cables y conexiones de la motocicleta regularmente.
- No permita que ningún/a niño/a toque las ruedas o se acerque a ellas cuando la motocicleta esté moviendo.
- Esta motocicleta tiene cinturones de seguridad de juego ajustables. Indique a los niños cómo atar el cinturón de seguridad antes de utilizar la motocicleta para garantizar la seguridad de los niños.

INFORMACIÓN DE ALMACENAMIENTO Y MANTENIMIENTO DE LA BATERÍA

- Cargue de 8 a 12 horas antes del primer uso de la motocicleta.
- Utilice el adaptador adecuado para cargar la batería; de lo contrario, la motocicleta se dañará.
- Cargue la motocicleta una vez que la velocidad sea más lenta de lo normal; de lo contrario, disminuirá la vida útil de la batería.
- Cargue la batería de manera completa antes de almacenar la motocicleta y recuerde recargar la batería cada 30 días. Esto garantizará el uso normal de la batería; de lo contrario, puede hacer que la batería no mantenga la carga eléctrica sin el mantenimiento adecuado.
- Las baterías pueden derramar líquidos que pueden provocar quemaduras químicas o arruinar la motocicleta.
- Para evitar fugas de las baterías: No mezcle las baterías nuevas y viejas o baterías de diferentes tipos: alcalinas, estándar (carbono-zinc) o recargables (níquel-cadmio).
- Inserte las baterías como lo que se indica dentro del compartimiento de las baterías. Retire las baterías si no se utilizan durante largos períodos.
- Siempre retire siempre las baterías agotadas del producto. Deseche las baterías de manera segura. No tire las baterías al fuego, si no, las baterías pueden explotar o generar fugas.
- Nunca cortocircuite los terminales de la batería.
- Las baterías no recargables no deben ser recargadas.
- Solo utilice las baterías del mismo tipo o equivalente al recomendado.
- No cargue las baterías no recargables.
- Retire las baterías recargables de la motocicleta antes de cargarlas.
- Si se utilizan las baterías recargables y extraíbles, solo deben ser cargadas bajo la supervisión de un adulto.
- Cada carga individual no puede exceder 24 horas. Tanto el cargador como las baterías se calentarán levemente durante la carga. No utilice un adaptador o una batería que funcionen mal a menos que esté reparado/a.
- El cargador y las baterías no son juguetes.
- Inspeccione regularmente la batería, especialmente de los cables y enchufes del adaptador.
- Apague el interruptor cuando la motocicleta no esté en uso. Cargue las baterías completamente después de que no las utilicen durante largos períodos.
- Cargue las baterías en un lugar seco y bien ventilado. No abra las baterías ni el cargador.
- Apriete los tornillos con un destornillador. NO los apriete demasiado.

Eliminación de Baterías:

1. Su batería sellada de plomo-ácido debe ser reciclada o desechada de manera ambientalmente racional.
2. No tire su batería de plomo-ácido al fuego, si no, la batería puede explotar o generar fugas.
3. No deseche una batería de plomo-ácido en la basura doméstica habitual. La incineración, el relleno de vertederos o la mezcla de baterías de plomo-ácido selladas con la basura doméstica están prohibidas de acuerdo con la ley.

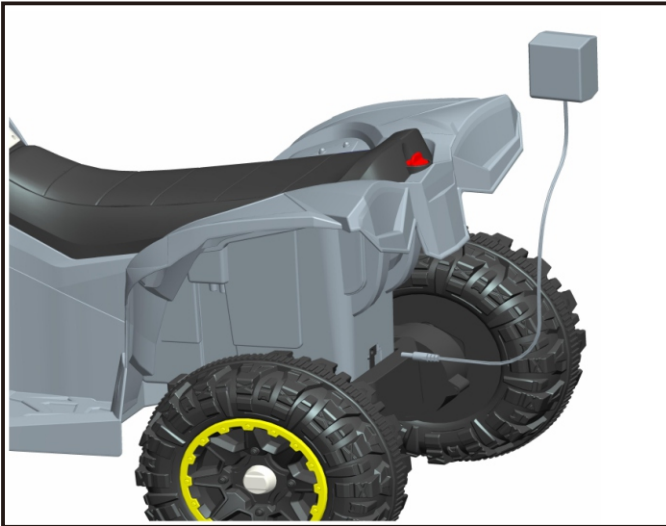
EVITAR INCENDIOS Y DESCARGAS ELÉCTRICAS:

- Solo utilice la batería recargable y el cargador suministrados juntos con su motocicleta.
- NUNCA sustituya la batería o el cargador por otra marca. El uso de otra batería o cargador puede causar un incendio o una explosión.
- No utilice la batería ni el cargador para ningún otro producto, de lo contrario, podría ocurrir sobrecalentamiento, fuego o explosión.
- NUNCA modifique el sistema del circuito eléctrico. La manipulación del sistema eléctrico puede provocar una descarga, un incendio o una explosión o puede dañar el sistema permanentemente.
- No permita el contacto directo entre los terminales de la batería, de lo contrario, puede causar incendio o explosión.
- No permita que la batería o sus componentes contacten con ningún tipo de líquido.
- Se crean gases explosivos durante la carga. No cargue la batería cerca de fuentes de calor o materiales inflamables. Cargue la batería SOLAMENTE en un lugar bien ventilado.
- NUNCA levante la batería por los cables o el cargador, de lo contrario, se pueden producir daños en la batería y causar un incendio. Tome la batería SOLAMENTE por el estuche.
- Cargue la batería SOLAMENTE en un lugar seco.
- Los bornes, terminales y accesorios relacionados de la batería contienen plomo y compuestos de plomo, sustancias químicas conocidas en el estado de California como causantes de cáncer y daños reproductivos. Lávese las manos después de manipular las baterías.
- No abra la batería. La batería contiene ácido de plomo y otros materiales que son tóxicos y corrosivos.
- No abra el cargador. El cable y los circuitos expuestos dentro de la carcasa pueden causar descargas eléctricas.
- SOLO los adultos pueden manipular o cargar la batería. NUNCA permita que un/a niño/a manipule o cargue la batería. La batería es pesada y contiene ácido de plomo (electrolito).
- No deje que la batería se caiga, de lo contrario, se podría provocar daño permanente a la batería o causar lesiones graves.
- Antes de cargar la batería, compruebe si la batería, el cargador, el cable de alimentación y los conectores están desgastados o dañados. NO cargue la batería si se ha tenido algún daño.
- No abra el cargador. El cable y los circuitos expuestos dentro de la carcasa pueden causar descargas eléctricas.
- SOLO los adultos pueden manipular o cargar la batería. NUNCA permita que un/a niño/a manipule o cargue la batería. La batería es pesada y contiene ácido de plomo (electrolito). No permita que la batería se agote completamente. Recargue la batería después de cada uso o una vez cada mes si no se usa durante largo plazo.
- No cargue la batería al revés.
- Siempre fije la batería con el soporte. La batería puede caerse y lesionar a un/a niño/a si la motocicleta se vuelca.
- Es responsabilidad de los padres que inspeccionen las partes principales de la motocicleta antes de cada uso. Deben examinarla regularmente para detectar los posibles peligros, como la batería, el cargador, el cable o la línea, el enchufe, los tornillos que sujetan la carcasa de otras partes y que, en caso de daño, no debe utilizarse la motocicleta hasta que ese daño haya sido reparado de manera correcta. Asegúrese de que todas las piezas de plástico de la motocicleta no estén agrietadas o rotas.

- Ocasionalmente, utilice un aceite liviano para lubricar las partes móviles como las ruedas.
- Estacione la motocicleta en el interior o cúbrala con una lona para protegerla del clima húmedo.
- Mantenga la motocicleta alejada de fuentes de calor, como estufas y calentadores. Las piezas de plástico pueden ser derretidas.
- Recargue la batería después de cada uso. Solo los adultos pueden manejar la batería. Recargue la batería al menos una vez al mes cuando la motocicleta de Raider no esté en uso.
- No lave la motocicleta con manguera. No la lave con agua y jabón. No la conduzca cuando haga lluvia o nieve. El agua dañará el motor, el sistema eléctrico y la batería.
- Limpie la motocicleta con un paño suave y seco. Para mantener el brillo de las piezas de plástico, utilice un pulidor de muebles sin cera. No utilice cera para autos. No utilice limpiadores abrasivos.
- No conduzca la motocicleta sobre tierra suelta, arena o grava fina que podría dañar las piezas móviles, los motores o el sistema eléctrico.
- Cuando no utilice la motocicleta, debe apagar todas las fuentes eléctricas. Apague el interruptor de encendido y desconecte la conexión de la batería.

Cargar la batería

La primera carga deberá tardar unas 12 horas.



1. Cargue la batería directamente a través del enchufe que está cerca del asiento.



2. Saque la batería. Cargue la batería independientemente.

- Enchufe el conector de la batería en el puerto del cargador.
- Enchufe el cargador a una toma de corriente estándar. Quizás el cargador se caliente durante la carga.
- Sólo utilice el cargador de 12 voltios con el fin de cargar la batería de 12 voltios.
- Nota: Si el flujo de corriente a la toma de corriente de pared está controlado por un interruptor, asegúrese de que el interruptor esté en "ON (Encendido)".
- Antes de utilizar la excavadora por primera vez, cargue la batería durante al menos 12 horas. No cargue la batería por más de 24 horas.
- Recargue la batería durante al menos 8-10 horas después de utilizar la excavadora cada vez.
- No cargue ni almacene la batería al revés. De lo contrario, al cargar, se generará gas explosivo. Cargue la batería lejos de llamas, chispas y cigarrillos encendidos. Cargue la batería en un área bien ventilada.
- Una vez que la batería esté cargada, desconecte el conector de la batería del conector del cargador. Desenchufe el cargador de la toma de corriente de pared. La batería ya está lista para ser insertada en su excavadora. Lea la siguiente sección de instalación de la batería por motivo de obtener instrucciones detalladas:



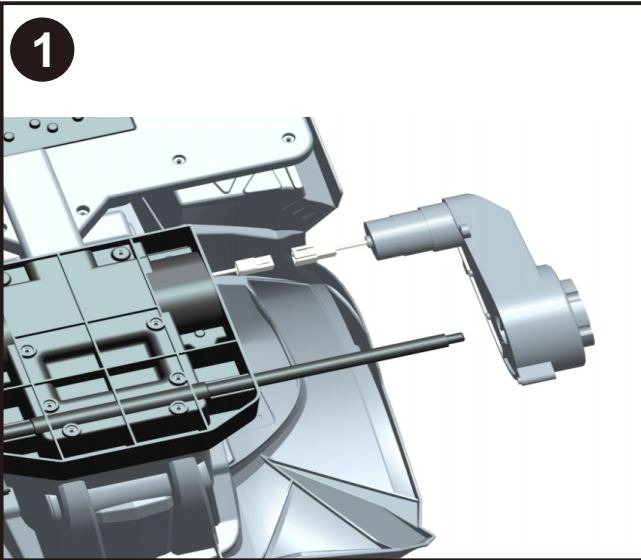
Reemplazo de batería

1. Levante el asiento.
2. Desconecte los conectores de la batería.
3. Retire los 4 tornillos a los lados de la batería.
4. Retire la batería del compartimento de batería.

- Identifique todas las piezas antes de realizar el montaje y guarde todo el material de embalaje hasta que se complete el montaje para asegurarse de que no se pierde ninguna pieza.
- Las piezas metálicas se han recubierto con lubricante por motivo de protegerlas durante el envío. Limpie todas las piezas metálicas con una toalla de papel con el fin de eliminar el exceso de lubricante.

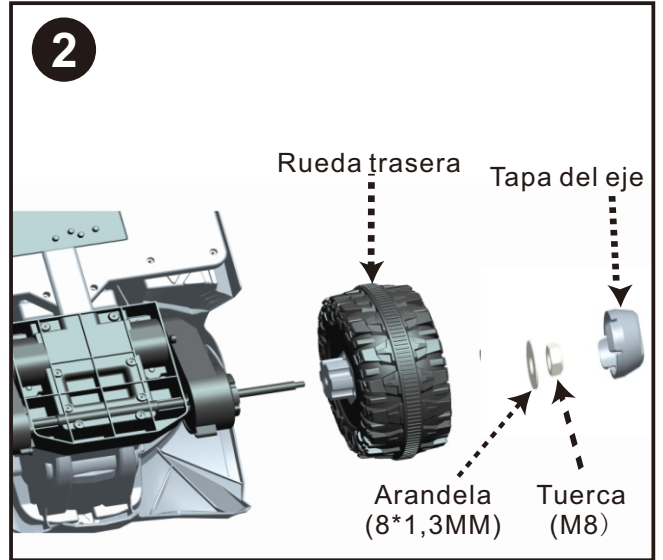
<p>A x 1</p>  <p>Carrocería principal</p>	<p>B x 1</p>  <p>Manillar</p>	<p>C x 1</p>  <p>Cargador</p>	
<p>D x 1</p>  <p>Asiento</p>	<p>E x 2</p>  <p>Rueda trasera</p>	<p>F x 2</p>  <p>Rueda frontal</p>	
<p>G x 4</p>  <p>Tapa del eje</p>	<p>H x 1</p>  <p>Caja de cambios (L*1, R*1)</p>	<p>I x 1</p>  <p>Eje trasera</p>	
<p>J x 2</p>  <p>Arandela (12*1,5mm)</p>	<p>K x 1</p>  <p>Manual</p>	<p>L x 2</p>  <p>Tuerca (Pieza de repuesto)(M8)</p>	
<p>M x 4</p>  <p>Arandela (8*1,3mm)</p>	<p>N x 1</p>  <p>Tornillo (5*40mm)</p>	<p>O x 1</p>  <p>Tuerca (M5)</p>	<p>P x 2</p>  <p>Herramienta de enchufe</p>

Montaje



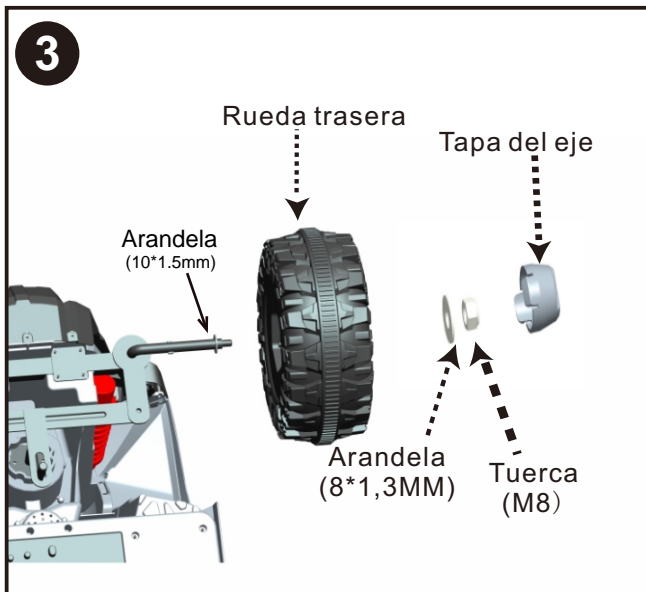
Montaje del eje trasero y la caja de cambios:

Inserte el eje trasero y la caja de cambios en sus lugares como lo que se muestra en la imagen. Repita los mismos pasos para montar el otro lado. Tenga en cuenta las marcas "L" y "R" en la caja de cambios.



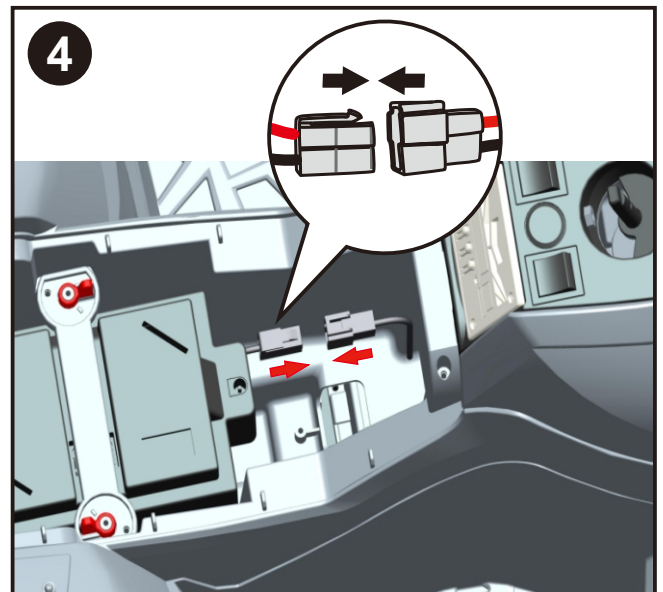
Montaje de las ruedas traseras:

Monte todas las piezas en secuencia como lo que se muestra en la imagen y utilice la herramienta de enchufe para fijar y "encajar" la tapa del eje en su lugar correctamente. Repita los mismos pasos para montar el otro lado.



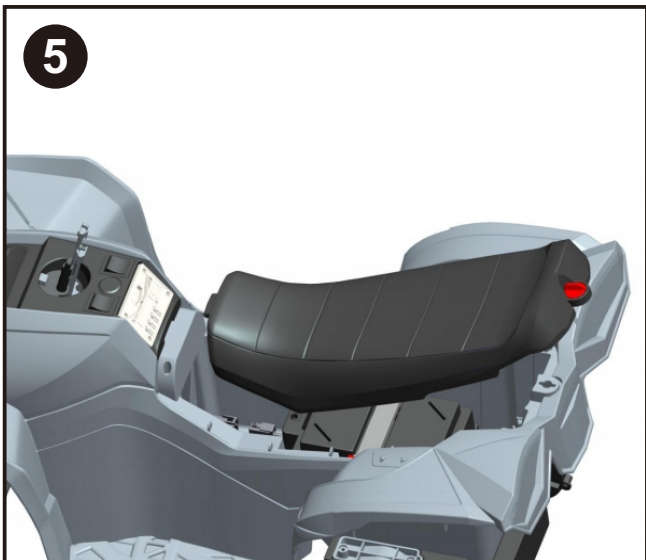
Montaje de las ruedas frontales:

Monte todas las piezas en secuencia como lo que se muestra en la imagen y utilice la herramienta de enchufe para fijar y "encajar" la tapa del eje en su lugar correctamente. Repita los mismos pasos para montar el otro lado.



Conexión de la batería:

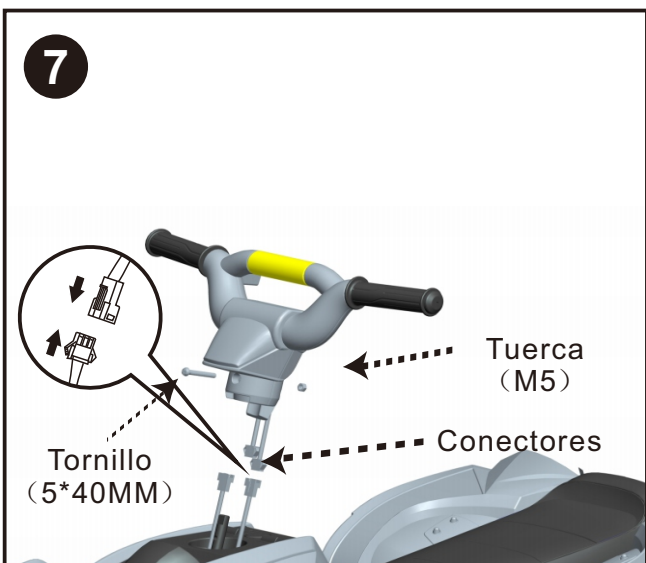
Abra el asiento para ver el cable de alimentación. Los conectores del enchufe como se muestra en la imagen.



“Encaje” el asiento en su lugar correctamente.



Fije y bloquee el asiento mediante el bloqueo de asiento.



Montaje del manillar:

Conecte los conectores, coloque el manillar en el eje giratorio, inserte un tornillo y una tuerca para fijarlo adecuadamente.

Operar su excavadora

Interruptor de alimentación

- Es el botón para encender y apagar la excavadora.

Hacia adelante

- Empuje la palanca de cambios hacia arriba y presione el acelerador lentamente.

Hacia detrás

- Empuje la palanca de cambios hacia abajo y presione el acelerador lentamente.

Baja velocidad

- La excavadora se ha pro-configurado para funcionar a baja velocidad (1.5 mph (3 kmh) como máximo). Una vez que su hijo/a haya dominado las habilidades de conducir esta excavadora seguramente y comprenda todas las Reglas de Conducción Segura.

Alta velocidad

- La excavadora se puede conducir a la velocidad más alta (2 mph, 3.5 kmh) como máximo.
- Asegúrese de que su hijo/a pueda conducir y operar la excavadora de forma segura y que comprenda las reglas relativas para lograr una conducción segura.

Detener

- La excavadora se detendrá de manera automática después de soltar el acelerador.

Efecto de sonido

- Presione el botón en el volante.

Dispositivo de seguridad

- APAGADO AUTOMÁTICO. Si el motor está sobrecargado por cualquier causa, incluido el uso inapropiado, un disyuntor eléctrico cortará la alimentación de manera automática y se reanudará después de que las piezas se hayan enfriado.



Mantenimiento

- Sólo limpie la excavadora con un paño suave y seco. No la lave con agua o agentes corrosivos.
- Almacene la excavadora en un área seca cuando no esté en uso, ya que la humedad podría causar daños a los componentes metálicos y eléctricos.
- Recuerde cargar la batería cada mes cuando la excavadora no esté en uso durante largo periodo.
- Compruebe y apriete todos los tornillos y cubiertas regularmente.
- Inspeccione todas las piezas de plástico en busca de grietas. Reemplace las piezas que tienen grietas si sea necesario.

Solución de problemas

Problema	Causa posible	Solución
La excavadora no se puede mover.	El disyuntor se corta la alimentación.	El disyuntor puede "cortarse" y detener la excavadora si está sobrecargada o si las condiciones de conducción son demasiado severas. El disyuntor se reanuda de manera automática después de 10 segundos más o menos y la excavadora ya podrá funcionar normalmente. Con el fin de evitar paradas automáticas repetidas, no sobrecargue la excavadora, el límite de carga de peso de ella es de 25 kg (55 libras). No remolque cualquier cosa detrás de la excavadora. No conduzca sobre ni choque contra objetos fijos, de lo contrario, puede hacer que las ruedas dejen de girar pero se está suministrando energía a los motores todavía.
	Cables o conectores están sueltos.	Conecte todos los cables y conectores bien. Asegúrese de que el conector del arnés del motor esté enchufado a la batería adecuadamente, y de que los cables alrededor del motor no estén sueltos.
	La batería está muerta.	Una batería vieja o mal cuidada puede estar muerta. Si usted no está seguro/a de si está muerta o no, puede enviar o llevar la batería al centro de servicio para su prueba.
	Batería con poca carga.	Debe cargar la batería nueva durante al menos 12 horas antes de utilizar la excavadora por primera vez. Después de eso, debe recargar la batería durante al menos 8-10 horas después de utilizar la excavadora cada vez. Nunca cargue la batería más de 24 horas. Inspeccione todos los conectores; asegúrese de que el cargador esté enchufado a una toma de corriente de pared. Asegúrese de que el flujo de corriente a la toma de corriente esté encendido.
	El cargador no puede funcionar.	Utilice un voltímetro para saber si el cargador puede funcionar o no. Si cree que puede haber un problema con el cargador, puede enviarlo o llevarlo al Centro de Servicio para su prueba.
	Interruptor está dañado.	Cuando la excavadora se expone al agua o la humedad, o debido a tierra suelta, arena o grava, los interruptores se pueden corroer o atascar. Póngase en contacto con el centro de servicio para su prueba y reparación.

Problema	Causa posible	Solución
La excavadora estaba en marcha pero se detuvo repentinamente.	Cables o conectores están sueltos	Inspeccione todos los cables y conectores. Asegúrese de que el conector del arnés del motor esté enchufado a la batería adecuadamente, y de que los cables alrededor del motor no estén sueltos.
	El disyuntor se corta la alimentación.	El disyuntor puede "cortarse" y detener la excavadora si está sobrecargada o si las condiciones de conducción son demasiado severas. El disyuntor se reanuda de manera automática después de 10 segundos más o menos y la excavadora ya podrá funcionar normalmente. Con el fin de evitar paradas automáticas repetidas, no sobrecargue la excavadora, el límite de carga de peso de ella es de 25 kg (55 libras). No remolque cualquier cosa detrás de la excavadora. No conduzca sobre ni choque contra objetos fijos, de lo contrario, puede hacer que las ruedas dejen de girar pero se está suministrando energía a los motores todavía. Si el interruptor se corta continuamente, póngase en contacto con su centro de servicio.
El tiempo de funcionamiento es muy corto (menos de 1 hora por carga)	Batería con poca carga	Debe cargar la batería nueva durante al menos 12 horas antes de utilizar la excavadora por primera vez. Después de eso, debe recargar la batería durante al menos 8-10 horas después de utilizar la excavadora cada vez. Nunca cargue la batería más de 24 horas. Inspeccione todos los conectores; asegúrese de que el cargador esté enchufado a una toma de corriente de pared. Asegúrese de que el flujo de corriente a la toma de corriente esté encendido.
	Batería sobrecargada	Nunca cargue la batería más de 24 horas. Si usted cree que la batería puede estar dañada debido a la sobrecarga, póngase en contacto con el centro de servicio para su prueba.
	La batería vieja no se puede cargar completamente	Incluso si mantiene la batería de manera adecuada, la batería recargable no dura para siempre. La duración media de la batería es 1 ~ 3 años depende del uso de la excavadora y las condiciones de uso. Reemplace la batería recargable por una nueva. Para obtener una batería de repuesto, póngase en contacto con el centro de servicio.

Problema	Causa posible	Solución
La excavadora marcha en velocidad muy lenta.	Batería con poca carga	Debe cargar la batería nueva durante al menos 12 horas antes de utilizar la excavadora por primera vez. Después de eso, debe recargar la batería durante al menos 8-10 horas después de utilizar la excavadora cada vez. Nunca cargue la batería más de 24 horas. Inspeccione todos los conectores; asegúrese de que el cargador esté enchufado a una toma de corriente de pared. Asegúrese de que el flujo de corriente a la toma de corriente esté encendido. Achten Sie darauf, den Akku nach jedem Gebrauch zu laden
	Se necesita cargar la batería.	Asegúrese de cargar la batería después de utilizar la excavadora cada vez.
	La batería vieja no se puede cargar completamente.	Incluso si mantiene la batería de manera adecuada, la batería recargable no dura para siempre. La duración media de la batería es 1 ~ 3 años depende del uso de la excavadora y las condiciones de uso. Reemplace la batería recargable por una nueva. Para obtener una batería de repuesto, póngase en contacto con el centro de servicio.
	La excavadora está sobrecargada.	No permita que más de 1 usuario utilice la excavadora al mismo tiempo, la capacidad de carga de peso es de 25 kg (55 libras), no remolque nada detrás de la excavadora.
	Las condiciones de conducción son demasiado severas.	Sólo utilice la excavadora sobre un suelo nivelado generalmente.
La excavadora funcione de manera intermitente.	Cable o conector está suelto.	Inspeccione todos los cables alrededor de los motores y todos los conectores para asegurarse de que estén apretados firmemente.
	Daños en el motor o en el interruptor eléctrico	Póngase en contacto con su centro de servicio para su prueba y reparación.
Cuando se presiona el acelerador, la excavadora no funcionará sin un empujón.	Cable o conector está suelto.	Inspeccione todos los cables alrededor de los motores y todos los conectores para asegurarse de que estén apretados firmemente.
	Punto muerto en el motor	Póngase en contacto con su centro de servicio para su prueba y reparación.
La caja de engranajes del motor hace un fuerte chirrido o chasquido.	Engranajes están rotos.	Póngase en contacto con su centro de servicio para su prueba y reparación.
El cargador se calienta durante el uso.	Es un fenómeno y no necesita preocuparte demasiado.	No se requiere hacer nada.
La batería hace gorgoteo o chisporroteo al cargarse.	Un poco de ruido e hinchazón es normal y no necesita preocuparte demasiado.	No se requiere hacer nada. Si la batería no emite ningún ruido durante el proceso de carga, no significa que no se haya cargado.

Diagrama de piezas



Nota: Algunas piezas que se muestran en la imagen ya están instaladas en ambos lados del vehículo.

Pieza No.	Cantidad	Pieza No.	Cantidad
1. Conjunto de eje frontal	1	9. Conjunto de ruedas traseras	2
2. Gancho en forma de "J"	1	10. Ménsula de soporte trasera	1
3. Caja de engranajes de dirección	1	11. Carrocería principal	1
4. Ménsula de soporte frontal	1	12. Conjunto de la batería	1
5. Conjunto de ruedas frontales	2	13. Asiento	1
6. Tapa del eje	4	14. Capucha	1
7. Eje trasero	1	15. Conjunto del manillar	1
8. Caja de cambios	2	16. Conjunto de carrocería frontal	1



MANUALE DELL'UTENTE

Leggere il manuale per intero prima di iniziare il montaggio.
Conservare questo manuale insieme alla ricevuta di acquisto
per riferimenti futuri.

⚠ AVVERTENZA:
RISCHIO DI SOFFOCAMENTO-Parti piccole. Non adatto ai bambini sotto i 3 anni.

⚠ AVVERTENZA:
Il giocattolo deve essere assemblato da un adulto prima dell'uso.

⚠ ATTENZIONE:
Le viti contengono punti condurenti o bordi taglienti potenzialmente pericolosi. È richiesto il montaggio da parte di un adulto.

⚠ AVVERTENZA:
Per ridurre il rischio di lesioni personali, è necessaria la supervisione di un adulto. Non usare mai su strade, vicino a veicoli a motore, su o vicino a pendii o gradini ripidi, piscine o altre fonti d'acqua. Indossare sempre scarpe e non consentire mai più di un utente alla volta.

I contenuti, i colori e le decorazioni possono variare da quelli mostrati in figura.

IMPORTANTE! CONSERVARE IL PRESENTE MANUALE PER FUTURO RIFERIMENTO E LEGGERLO ATTENTAMENTE.

ISTRUZIONI DI ASSEMBLAGGIO

Specifiche:	
Batteria:	12V/4.5AH*1
Motore:	12V 550# 35W*2
Eta' Adatta:	3+
Peso Massimo:	25kg
Velocita':	3-6km/h
Alimentazione:	Ricaricabile
Tempistiche:	Ricarica: 8-12 ore ; Uso: 0.75 ore
Caricatore:	Ingresso AC 100-240V, 50/60Hz, produzione DC 12V 1000mA

AVVERTENZE

1. Le immagini in questo manuale servono solo per spiegare il funzionamento e la struttura del prodotto, se vi sono differenze con il prodotto reale, si prega di rifarsi a quest'ultimo.
2. Per migliorare la qualità del prodotto, potremmo modificare alcune strutture o aspetti dello stesso senza preavviso. Vi ringraziamo per la vostra comprensione.

PER LA SICUREZZA DEL VOSTRO BAMBINO, SI PREGA DI LEGGERE TUTTE LE AVVERTENZE E LE ISTRUZIONI DI MONTAGGIO / USO. CONSERVARE QUESTO MANUALE PER RIFERIMENTI FUTURI.

- **VAASSEMBLATO DA UN ADULTO.** Il prodotto contiene piccole parti, e pertanto va montato solo da adulti. Tenere lontano i bambini piccoli durante il montaggio.
- Rimuovere sempre l'imballaggio e i sacchetti di plastica e smaltirli prima del montaggio.
- Non lasciare mai i bambini incustoditi. è richiesta sempre la supervisione diretta di un adulto.
- Sorvegliare sempre il bambino quando si trova nel veicolo.
- Tenere i bambini in aree di guida sicure:
 - Non usare mai su strade, vicino a veicoli a motore, su prati, su o vicino a pendenze o gradini ripidi, piscine o qualsiasi altra area pericolosa.
- Utilizzare il giocattolo solo su superfici piane. Come ad esempio all'interno della vostra abitazione, in giardino o al parco giochi.
- Non usare mai al buio. Un bambino potrebbe incorrere in ostacoli imprevisti e avere un incidente. Utilizzare il veicolo solo di giorno o in un'area ben illuminata.
- Evitare di guidare sulla sabbia o su qualsiasi altro terreno accidentato.
- Indossare sempre le scarpe.
- Sedersi sempre sul sedile.
- Questo giocattolo non e' dotato di freni.
- È vietato cambiare il circuito elettrico o aggiungervi altre parti.
- Ispezionare periodicamente cavi e collegamenti elettrici del veicolo.
- Non lasciare che nessun bambino tocchi le ruote o si trovi vicino ad esse quando l'auto è in movimento.
- Questo veicolo è dotato di cinture di sicurezza regolabili. Si prega di istruire i bambini su come legare la cintura di sicurezza prima dell'uso, per garantire la loro sicurezza.

INFORMAZIONI SULLA CONSERVAZIONE E MANUTENZIONE DELLA BATTERIA

- Si prega di ricaricare da 8 a 12 ore prima del primo utilizzo.
- Utilizzare l'apposito adattatore per ricaricare la batteria, altrimenti danneggerete il veicolo.
- Si prega di ricaricare il veicolo una volta che la velocità di moto è inferiore a quella normale, altrimenti ciò ridurrà la durata della batteria.
- Si prega di ricaricare completamente la batteria prima di riporre il veicolo e ricordarsi di ricaricarla ogni 30 giorni. Ciò garantirà il normale utilizzo della batteria, altrimenti essa potrebbe non mantenere la carica senza un'adeguata manutenzione.
- Le batterie possono perdere liquidi che possono causare ustioni chimiche o rovinare il prodotto.
- Per evitare delle perdite dalla batteria: non mischiare batterie vecchie e nuove o batterie di diversi tipi: alcaline, standard (zinco-carbone) o ricaricabili (nichel-cadmio).
- Inserire le batterie come indicato all'interno del loro vano. Rimuoverle durante lunghi periodi di inutilizzo.
- Rimuovere sempre le batterie scariche dal prodotto. Smaltirle in modo sicuro. Non gettarle nel fuoco in quando possono esplodere o perdere liquido.
- Non cortocircuitare mai i terminali della batteria.
- Le batterie non ricaricabili non devono essere ricaricate.
- Utilizzare solo batterie dello stesso tipo o equivalenti a quelle consigliate.
- Non caricare batterie non ricaricabili.
- Rimuovere le batterie ricaricabili dal prodotto prima di caricarle.
- Se vengono utilizzate batterie ricaricabili rimovibili, ricaricarle solo sotto la supervisione di un adulto
- Ogni singola ricarica non può superare le 24 ore. Sia il caricatore che le batterie di accumulo si surriscaldano durante la ricarica. Non utilizzare adattatori o batterie danneggiati a meno che non vengano prima riparati.
- I carica batterie e gli accumulatori non sono giocattoli.
- Eseguire un'ispezione periodica sull'adattatore, in particolare per i cavi e le spine annesse.
- Spegnerne l'interruttore quando il veicolo non è in uso. Effettuare una ricarica completa dopo lunghi periodi di inutilizzo.
- Ricaricare in un luogo ben ventilato e asciutto. Non aprire il vano batterie o il carica batterie.
- Stringere le viti con un cacciavite. NON stringere eccessivamente

Smaltimento della batteria :

1. La batteria sigillata al piombo-acido deve essere riciclata o smaltita in modo ecologico per l'ambiente.
2. Non gettare la batteria al piombo nel fuoco, in quanto potrebbe esplodere o perdere liquido.
3. Non smaltire una batteria al piombo nei normali rifiuti domestici. L'incenerimento, il riempimento di discariche o la miscelazione di batterie al piombo-acido sigillate con i rifiuti domestici è vietato dalla legge.

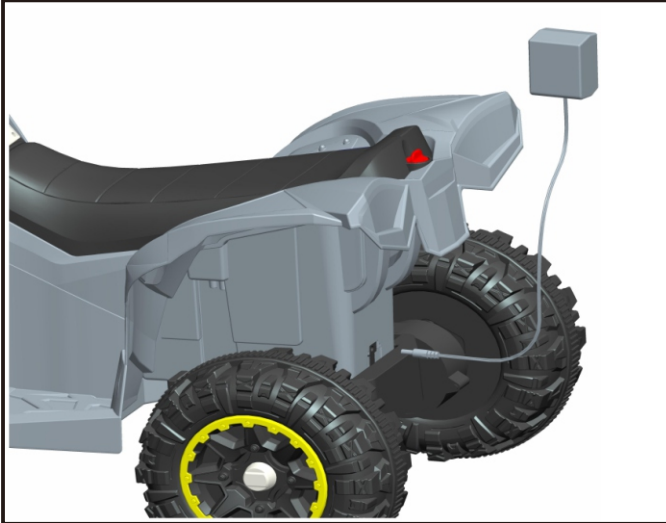
PREVENIRE INCENDI E SCOSSE ELETTRICHE:

- Utilizzare solo la batteria ricaricabile e il carica batterie forniti con il veicolo.
- NON sostituire MAI la batteria o il caricatore con quelli di un'altra marca. L'utilizzo di un'altra batteria o caricatore può causare un incendio o un'esplosione.
- Non utilizzare la batteria o il carica batterie con altri prodotti. Potrebbero verificarsi surriscaldamento, incendi o esplosioni.
- NON modificare MAI la struttura del circuito elettrico. La manomissione del sistema elettrico può causare scosse, incendi o esplosioni o può danneggiare permanentemente il sistema.
- Non consentire il contatto diretto tra i terminali della batteria. Può portare a incendi o esplosioni.
- Non lasciare alcun tipo di liquido sulla batteria o sui suoi componenti.
- Durante la ricarica si creano gas esplosivi. Pertanto, non ricaricare vicino a fonti di calore o materiali infiammabili. Ricaricare la batteria SOLO in un'area ben ventilata.
- NON afferrare MAI la batteria dai suoi cavi o direttamente dal caricatore. Ciò potrebbe portare a danni alla batteria e provocare un incendio. Prendere la batteria SOLO dalla custodia.
- Ricaricare la batteria SOLO in un'area asciutta.
- I poli della batteria, i terminali e i relativi accessori contengono piombo e composti di piombo, sostanze chimiche note allo Stato della California come causa di cancro e danni all'apparato riproduttivo. Pertanto, lavarsi le mani dopo la manipolazione.
- Non aprire la batteria, in quanto contiene acido al piombo e altri materiali tossici e corrosivi.
- Non aprire il carica batterie, in quanto i cavi e i circuiti esposti all'interno della custodia possono causare scosse elettriche.
- SOLO un adulto può maneggiare o caricare la batteria. NON permettere MAI ad un bambino di farlo. La batteria è pesante e contiene acido al piombo (elettrolito).
- Non far cadere la batteria, in quanto potrebbe portare a danni permanenti o provocare lesioni gravi.
- Prima di ricaricare la batteria, controllare l'usura o la presenza di danni alla stessa, al carica batterie, al cavo di alimentazione e ai connettori. NON ricaricare la batteria se le parti sono danneggiate.
- Non lasciare che la batteria si scarichi completamente. Ricaricarla dopo ogni utilizzo o una volta al mese se non viene utilizzata regolarmente.
- Non ricaricare la batteria se capovolta.
- Fissare sempre la batteria con il fermo. Essa può cadere e ferire un bambino se il veicolo si ribalta.
- È responsabilità dei genitori controllare le parti principali del giocattolo prima dell'uso, esaminandone regolarmente i potenziali rischi, come la batteria, il caricatore, il cavo o i connettori, la spina, le viti che fissano altre piccole parti e che, in caso di danni, il giocattolo non deve essere utilizzato dal bambino fino a quando non è stato adeguatamente riparato. Assicurarsi che le parti in plastica del veicolo non siano incrinare o rotte.
- Utilizzare occasionalmente un olio delicato per lubrificare le parti in movimento come le ruote.
- Parcheggiare il veicolo al chiuso o coprirlo con un telo per proteggerlo dall'umidità.
- Tenere il veicolo lontano da fonti di calore, come stufe e riscaldatori, in quanto le parti in plastica possono fondersi.

- Ricaricare la batteria dopo ogni utilizzo. La batteria puo' essere maneggiata solo da un adulto. Ricaricarla almeno una volta al mese quando il veicolo non viene utilizzato a lungo.
- Non lavare il veicolo con una canna ad acqua. Non lavarlo con acqua e sapone. Non guidare il veicolo in caso di pioggia o neve, in quanto l'acqua ne danneggerà il motore, l'impianto elettrico e la batteria.
- Pulire il veicolo con un panno morbido e asciutto. Per ridare lucentezza alle parti in plastica, utilizzare un lucido per mobili senza cera. Non usare cera per auto. Non utilizzare detergenti abrasivi.
- Non guidare il veicolo su sporcizia, sabbia o ghiaia fine che potrebbero danneggiarne le parti in movimento, il motore o l'impianto elettrico.
- Quando inutilizzato a lungo, l'alimentazione deve essere spenta. Spegnere l'interruttore di alimentazione e scollegare il collegamento della batteria.

Ricaricare la batteria

La prima ricarica richiederà circa 12 ore.



1. Caricare la batteria direttamente dalla sotto al sedile.



2. Estrarre la batteria. Caricarla individualmente.

- Collegare il connettore della batteria nella porta del caricatore.
- Collegare il caricatore ad una presa a muro standard. Il caricatore potrebbe riscaldarsi durante la ricarica.
- Utilizzare esclusivamente un caricatore da 12 volt per ricaricare una batteria da 12 volt.
- Nota: se il flusso di corrente elettrica è controllato da un interruttore, assicurarsi che l'interruttore sia su "ON".
- Prima del primo utilizzo, ricaricare la batteria per almeno 12 ore. Non ricaricare mai la batteria per più di 24 ore.
- Ricaricare la batteria per almeno 8-10 ore dopo ogni utilizzo del veicolo.
- Non caricare o conservare la batteria capovolta. La ricarica produce gas esplosivi. Ricaricare lontano da fiamme vive, scintille e sigarette accese. Caricare in un'area ben ventilata.
- Una volta caricata la batteria, scollegare il connettore della batteria da quello del caricatore. Scollegare il caricatore dalla presa a muro. La batteria è ora pronta per essere installata nel veicolo. Si prega di seguire la seguente sezione sull'installazione della batteria per le istruzioni dettagliate sull'installazione nel veicolo:



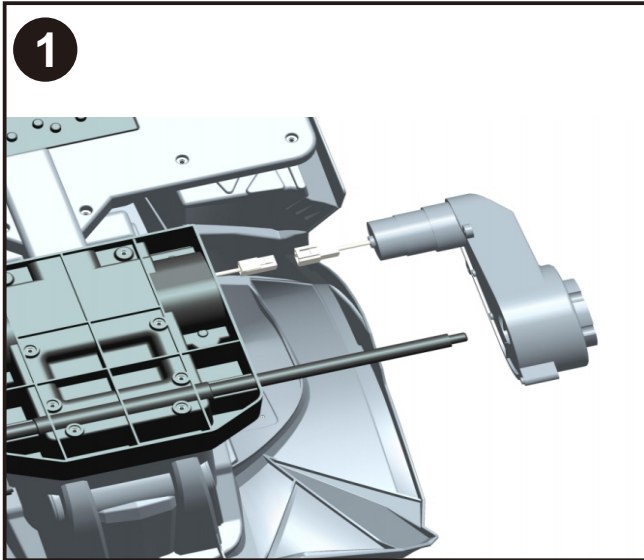
Sostituzione della batteria

1. Sollevare il sedile.
2. Scollegare i connettori della batteria.
3. Rimuovere le 4 viti poste sui lati della batteria.
4. Estrarre la batteria dal suo vano

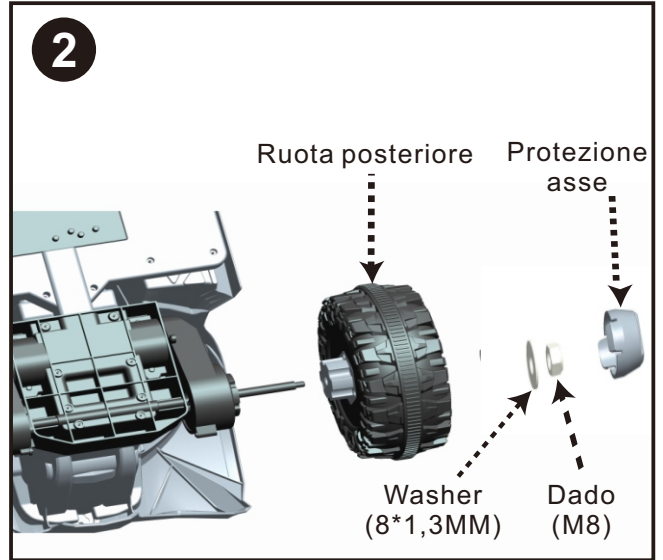
- Identificare tutte le parti prima dell'assemblaggio e conservare tutto il materiale di imballaggio fino al completamento del montaggio per assicurarsi che nessuna parte venga scartata inavvertitamente.
- Le parti in metallo sono state rivestite con del lubrificante per garantirne la protezione durante la spedizione. Strofinare tutte le parti in metallo con un tovagliolo di carta per rimuovere il lubrificante in eccesso.

 A x 1 Telaio principale	 B x 1 Manubrio	 C x 1 Caricatore	
 D x 1 Sedile	 E x 2 Ruota posteriore	 F x 2 Ruota anteriore	
 G x 4 Coprimozzo	 H x 1 Cambio (L*1 R*1)	 I x 1 Asse posteriore	
 J x 2 Rondella (12*1,5mm)	 K x 1 Manuale	 L x 2 Dado (di ricambio) (M8)	
 M x 4 Rondella (8*1,3mm)	 N x 1 Vite (5*40mm)	 O x 1 Dado (M5)	 P x 2 Tassello

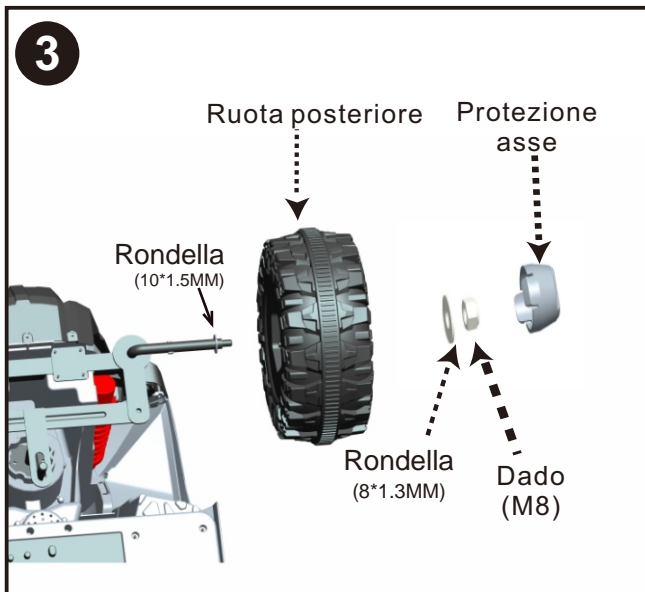
Assemblaggio



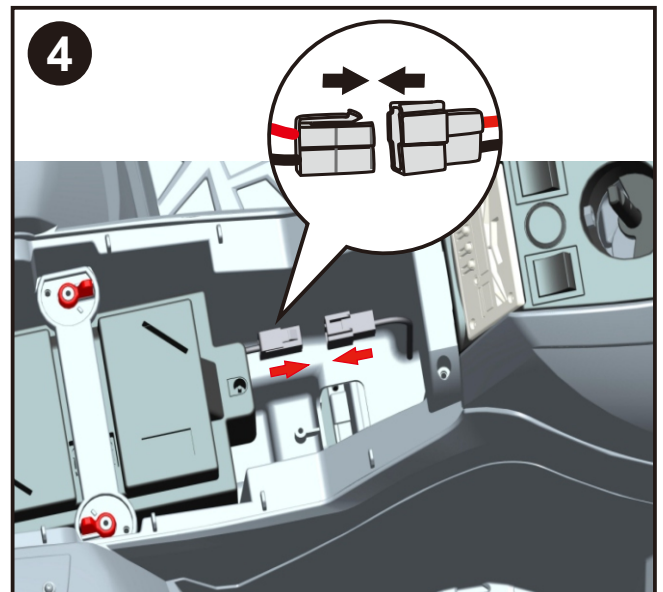
Assemblaggio delle ruote anteriori:
Inserire l'asse posteriore e la scatola del cambio come mostrato in figura. Ripetere per l'altro lato. Si prega di seguire il segno "L", "R" sulla scatola del cambio.



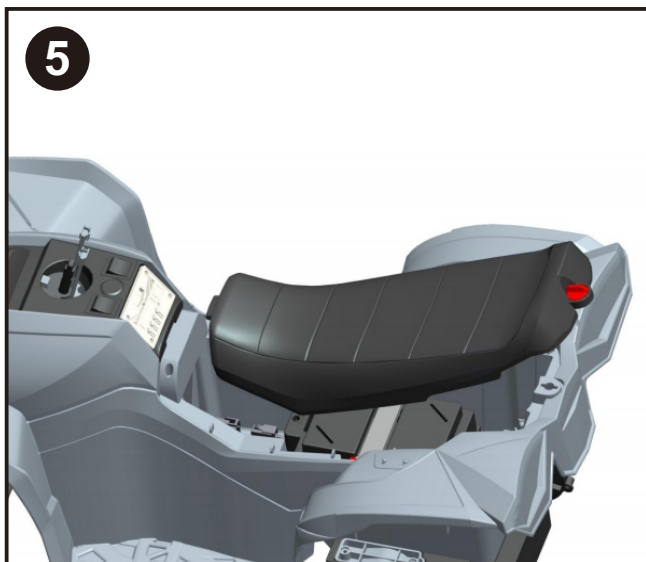
Assemblaggio delle ruote posteriori:
Montare tutte le parti in sequenza come mostrato in figura e utilizzare la chiave a brugola per fissare fino al "clic" la protezione dell'asse nel punto giusto. Ripetere la procedura per l'altro lato.



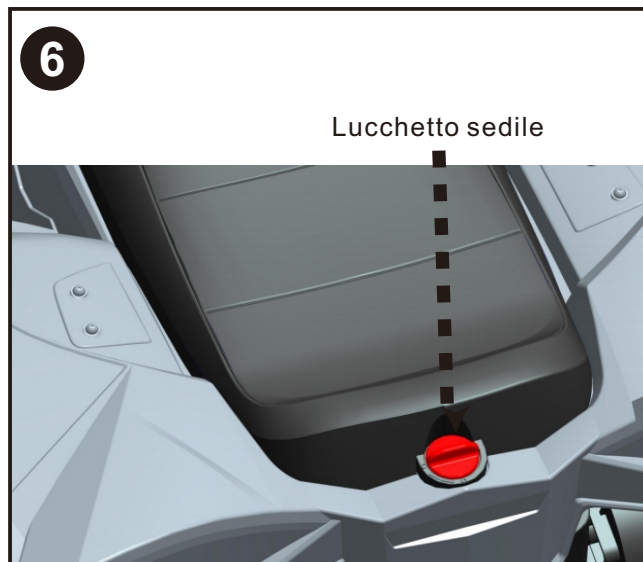
Assemblaggio ruote anteriori:
assemblare le parti in sequenza come mostrato in figura e usare la chiave per fissare fino al "clic" il copriasse in posizione corretta. Ripetere la procedura per l'altro lato.



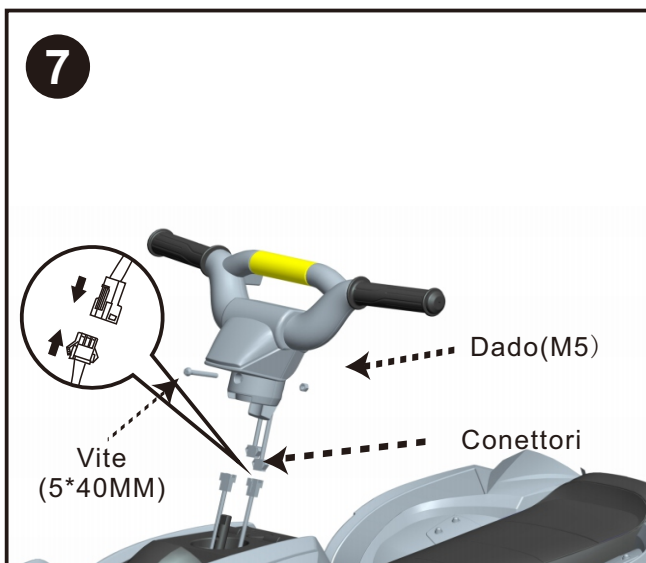
Collegamento della batteria:
Aprire il sedile e individuare il cavo di alimentazione. Inserire i connettori come mostrato in figura.



“Fissare” il sedile in posizione corretta.



Chiudere con l'apposito lucchetto.



Assemblaggio del manubrio:

Inserire i connettori, inserire il manubrio nel mandrino rotante, inserire una vite e un dado per fissare in posizione.

Utilizzare il Vostro Veicolo

Interruttore dell'alimentazione

Pulsante di accensione e spegnimento.

Marcia in avanti

Portare il cambio verso l'alto e premere lentamente l'acceleratore.

Retromarcia

Portare il cambio verso il basso e premere lentamente l'acceleratore.

Bassa velocità

Il veicolo è stato preimpostato per funzionare a bassa velocità (1.5 mph (3 km / h) massimo). Una volta che vostro figlio ha acquisito padronanza delle capacità di guida e comprende le regole di guida sicura può passare all'alta velocità'.

Alta velocità

Velocità massima del veicolo (2 mph, 3.5 km / h). Assicuratevi che vostro figlio possa guidare e utilizzare il veicolo in sicurezza e che conosca le regole per una guida sicura.

Frenare

Il veicolo frenerà automaticamente dopo aver rilasciato l'acceleratore.

Effetti sonori

Premere il pulsante sul volante.

Dispositivo di sicurezza

SPEGNIMENTO AUTOMATICO. Se il motore viene portato in sovraccarico per qualsiasi motivo, compreso un uso improprio, un interruttore elettrico interromperà automaticamente l'alimentazione al veicolo, quindi la riprenderà dopo che le parti si sono raffreddate!



Manutenzione

- Pulire solo con un panno morbido e asciutto. Non lavare con acqua o agenti corrosivi.
- Conservare il veicolo in un'area asciutta quando non è in uso, poiché l'umidità potrebbe corrodere i componenti in metallo e le parti elettriche.
- Ricordarsi di ricaricare la batteria con cadenza mensile quando il veicolo non viene usato regolarmente
- Controllare e stringere regolarmente tutte le viti e gli involucri.
- Verificare che tutte le parti in plastica non presentino crepe. Sostituire quando necessario.

Dépannage

Problema	Possibile Causa	Soluzione
Il veicolo non si muove	E' scattato l'interruttore	L'interruttore può "scattare" e fermare il veicolo se è sovraccarico o se le condizioni di guida sono troppo inadeguate. L'interruttore si ripristinerà automaticamente dopo circa 10 secondi e il veicolo riprenderà a funzionare normalmente. Per evitare che il veicolo si spenga ripetutamente, non sovraccaricare il veicolo superando il limite di peso di 25 kg (55 libbre). Allo stesso modo, non trainare oggetti dietro al veicolo. Non guidare in salita e non urtare oggetti fissati a terra, poiché le ruote potrebbero smettere di girare mentre viene ancora fornita corrente ai motori.
	Cavi o connettori allentati	Bloccare con zeppe tutti i cavi e connettori, accertandosi che il cablaggio del motore sia collegato fermamente alla batteria e che non vi siano fili allentati attorno al motore.
	Batteria fusa	Una batteria usata e non adeguatamente curata potrebbe essere fusa. Se siete sicuro che sia fusa o meno, potete farla testare presso un centro assistenza.
	Batteria scarica	Una nuova batteria dovrebbe essere ricaricata per almeno 12 ore prima del primo utilizzo del veicolo. Quindi, è necessario ricaricare la batteria per almeno 8-10 ore dopo ogni utilizzo. Non ricaricarla mai più di 24 ore. Controllare tutti i connettori; assicurarsi che il caricatore sia collegato alla presa elettrica. Assicurarsi che il flusso di corrente alla presa sia attivo.
	Il caricatore non funziona	È necessario fornirsi di un voltmetro per verificare se il caricatore funziona o meno.
	Interruttore danneggiato	Se pensate che ci sia un problema con il caricatore, portatelo al centro assistenza dove verrà testato per voi. Se esposti ad acqua o umidità, gli interruttori possono corrodarsi o incepparsi a causa di sporcizia, sabbia o ghiaia. Contattare il centro assistenza per la diagnosi e la riparazione.

Problema	Possibile Causa	Soluzione
Il veicolo funzionava ma si è spento improvvisamente	Cavi o connettori allentati	Controllare tutti i cavi e connettori. Assicurarsi che il cablaggio del motore sia collegato saldamente alla batteria e che non vi siano fili allentati attorno al motore.
	E' scattato l'interruttore	L'interruttore può "scattare" e fermare il veicolo se è sovraccarico o se le condizioni di guida sono troppo inadeguate. L'interruttore si ripristinerà automaticamente dopo circa 10 secondi e il veicolo riprenderà a funzionare normalmente. Per evitare che il veicolo si spenga ripetutamente, non sovraccaricare il veicolo superando il limite di peso di 25 kg (55 libbre). Allo stesso modo, non trainare oggetti dietro al veicolo. Non guidare in salita e non urtare oggetti fissati a terra, poiché le ruote potrebbero smettere di girare mentre viene ancora fornita corrente ai motori.
Breve tempo di funzionamento (meno di 1 ora per carica)	Batteria scarica	Una nuova batteria deve essere caricata per almeno 12 ore prima del primo utilizzo del veicolo. Quindi, è necessario ricaricare la batteria per almeno 8-10 ore dopo ogni utilizzo. Non ricaricarla mai più di 24 ore. Controllare tutti i connettori; assicurati che il caricatore sia collegato alla presa elettrica. Assicurarsi che il flusso di corrente verso la presa sia attivo.
	Batteria sovraccaricata	Non caricare mai la batteria per più di 24 ore. Se si crede che la batteria sia stata danneggiata a causa del sovraccarico, contattare il centro assistenza per eseguire un test.
	Non è possibile caricare a pieno una batteria vecchia.	Anche con una cura adeguata, una batteria ricaricabile non può durare per sempre. La durata media della batteria va da 1 a 3 anni a seconda dell'uso che si fa del veicolo e delle condizioni d'uso. Sostituire la batteria con una nuova ricaricabile. Non sostituire le singole parti. Per ottenere una batteria sostitutiva, contattare il centro assistenza.

Problema	Possibile Causa	Soluzione
Il veicolo è lento	Batteria scarica	Una nuova batteria deve caricata per almeno 12 ore prima del primo utilizzo del veicolo. Quindi, è necessario ricaricare la batteria per almeno 8-10 ore dopo ogni utilizzo. Non ricaricarla mai più di 24 ore. Controllare tutti i connettori; assicurati che il caricatore sia collegato alla presa elettrica. Assicurarsi che il flusso di corrente verso la presa sia attivo.
	La batteria deve essere ricaricata	Assicurarsi di ricaricare la batteria dopo ogni utilizzo
	Non e' possibile caricare a pieno una batteria vecchia.	Anche con una cura adeguata, una batteria ricaricabile non puo' durare per sempre. La durata media della batteria va da 1 a 3 anni a seconda dell'uso che si fa veicolo e delle condizioni d'uso. Sostituire la batteria con una nuova ricaricabile. Non sostituire le singole parti. Per ottenere una batteria sostitutiva, contattare il centro assistenza.
	Il veicolo e' sovraccarico	Non consentire più di 1 utente alla volta alla guida, rispettare la capacità massima di carico di 25 kg (55 libbre) e non trainare nulla dietro il veicolo.
	Le condizioni di guida sono troppo dissestate	Utilizzare solo su un terreno generalmente in piano.
Il veicolo funziona a intermittenza	Cavi o connettori allentati	Controllare tutti i cavi e connettori. Assicurarsi che il cablaggio del motore sia collegato saldamente alla batteria e che non vi siano fili allentati attorno al motore.
	Danni all'interruttore elettrico o del motore	Contattare il centro assistenza per la diagnosi e la riparazione.
Quando si preme l'acceleratore, il veicolo non si muove senza spinta	Cavi o connettori allentati	Controllare tutti i cavi e connettori. Assicurarsi che il cablaggio del motore sia collegato saldamente alla batteria e che non vi siano fili allentati attorno al motore.
	"Punto cieco" nel motore	Contattare il centro assistenza per la diagnosi e la riparazione.
La scatola del cambio del motore emette un forte rumore stridente o tintinnante	Ingranaggi rotti	Contattare il centro assistenza per la diagnosi e la riparazione.
Il caricatore si riscalda durante l'uso	Questo è normale e non dovrebbe essere causa di preoccupazione.	Nessuna azione richiesta.
La batteria emette un gorgoglio o uno sfrigolio durante la ricarica	Alcuni rumori e gorgoglii sono normali e non dovrebbero essere motivo di preoccupazione	Nessuna azione richiesta. Se la batteria non emette rumore durante la ricarica, non significa che non si stia ricaricando.

Diagramma parti



Nota: alcune parti mostrate in figura sono assemblate da entrambi i lati del veicolo

NO. Parte	Quantità	NO. Parte	Quantità
1. Gruppo asse anteriore	1	9. Gruppo asse posteriore	2
2. Gancio a J	1	10. Staff di supporto posteriore	1
3. Gruppo sterzo	1	11. Telaio principale	1
4. Staff di supporto anteriore	1	12. Gruppo batteria	1
5. Gruppo ruota anteriore	2	13. Sedile	1
6. Protezione asse	4	14. Tettuccio	1
7. Asse posteriore	1	15. Grupp manubrio	1
8. Scatola del cambio	2	16. Gruppo telaio anteriore	1

UK

If you have any questions, please contact our customer care centre.

Our contact details are below:



0044-800-240-4004



enquiries@mhstar.co.uk

IMPORTER ADDRESS:

MH STAR UK LTD

Unit 27, Perivale Park,

Horsenden lane South

Perivale, UB6 7RH

MADE IN CHINA

ES

Si tiene alguna pregunta, comuníquese con nuestro Centro de Atención al Cliente. Nuestros datos de contacto son los siguientes:



0034-931294512



atencioncliente@aosom.es

Importador/Fabricante/REP:

Spanish Aosom, S.L.

C/ Roc Gros, nº 15. 08550, Els Hostalets de Balenyà, Spain.

B66295775

atencioncliente@aosom.es

TEL: 931294512

HECHO EN CHINA

FR

Si vous avez la moindre question, veuillez contacter notre centre d'assistance à la clientèle.

Nos coordonnées sont les suivantes:



0033-1-84166106



aosom@mhfrance.fr

Importé par/Fabricant/REP:

MH France

2, rue Maurice Hartmann

92130 Issy-les-Moulineaux

France

Fabriqué en Chine

PT

Se tiver alguma dúvida, por favor contacte o nosso Centro de Atendimento ao Cliente. Os nossos dados de contacto são os seguintes:



0034-931294512



info@aosom.pt.

IMPORTADOR:

SPANISH AOSOM, S.L

C.ROC GROS N.15, 08550. ELS HOSTALETES DE BALENYÀ

TEL: 931294512 (SEG-SEX DAS 7:30H ÀS 16:30H)

INFO@AOSOM.PT

WWW.AOSOM.PT

DE

Wenn Sie Fragen haben, wenden Sie sich bitte an unser Kundendienstzentrum.

Unsere Kontaktdaten stehen unten:



0049-0(40)-88307530



service@aosom.de

Importeur/Hersteller/REP:

MH Handel GmbH

Wendenstraße 309

D-20537 Hamburg

Germany

IN CHINA HERGESTELLT

IT

In caso di dubbio, si prega di contattare il nostro centro assistenza clienti. I nostri dettagli di contatto sono di seguito:



0039-0249471447



clienti@aosom.it

IMPORTATO DA/Produttore/REP:

AOSOM Italy srl

Centro Direzionale Milanofiori

Strada 1 Palazzo F1

20057 Assago (MI)

P.I.: 08567220960

FATTO IN CINA