

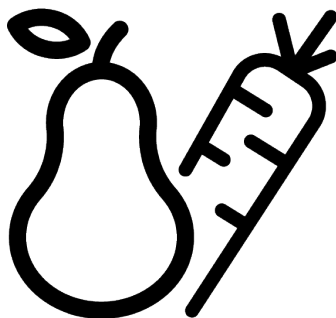
Bauknecht

Refrigerator

User Manual

Kühlschrank

Bedienungsanleitung



SBS IW E90 Black

15 7550 0110/ EN DE / AE/ 6/10/2025 1:52 PM
7287540566

Please read this manual first!

Dear Customer

Thank you for choosing this product.

We would like you to achieve the optimal efficiency from this high quality product which has been manufactured with state of the art technology. To do this, carefully read this manual and any other documentation provided before using the product.

Heed all information and warnings in the user manual. This way, you will protect yourself and your product against the dangers that may occur. Keep the user manual. Include this manual with the product if you hand it over to someone else.





The following symbols are used in the user manual and on the product:



Read the user manual.



Hazard that may result in death or injury.

		The model information as stored in the product data base can be reached by entering following website and searching for your model identifier (*) found on energy label. https://eprel.ec.europa.eu/
SUPPLIER'S NAME	MODEL IDENTIFIER → (*)	
		




1	Safety Instructions	4
1.1	Important Safety Symbols	4
1.2	Intention of Use	4
1.3	Safety of Children, Vulnerable Persons and Pets	5
1.4	Electrical Safety	5
1.5	Handling Safety	6
1.6	Installation Safety.....	6
1.7	Operational Safety.....	9
1.8	Food Storage Safety.....	13
1.9	Maintenance and Cleaning Safety	13
1.10	Lighting	14
1.11	Disposal of the Old Product.....	14
2	Environmental Instructions	15
2.1	Compliance with the WEEE Dir- ective and Disposing of the Waste Product	15
3	Your Refrigerator	16
4	Installation	17
5	Preparation	19
5.1	What To Do For Energy Saving	19
5.2	First Use	19
5.3	Climate Class and Definitions	20
6	Operating the Product	20
7	Control Panel of the Product	20
8	Use of Your Appliance	22
8.1	Storing Food in the Freezer and Cooler Compartment.....	22
8.2	Door Open Alert	24
8.3	Replacing the Illumination Lamp..	24
9	Product Features	25
9.1	The ice storage area.....	25
9.2	Egg holder	27
9.3	Crisper	27
9.4	Dairy Products Cold Storage Area	28
10	Maintenance and Cleaning	28
11	Troubleshooting	29


1 Safety Instructions


- This section includes the safety instructions necessary to prevent the risk of personal injury or material damage.
- Our company shall not be held responsible for damages that may occur if these instructions are not observed.
- Always have installation and repair operations performed by manufacturer, authorized service or a person who will be described by importer company.
- Use original spare parts and accessories only.
- Do not repair or replace any component of the product unless it is clearly specified in the user manual.
- Do not perform any modifications on the product.

1.1 Important Safety Symbols

 Risk of electric shock!

 Read the user manual.

 Danger that may result in burns due to contact with hot surfaces.

 Combustible material, warning against fire hazard.

 Risk of injury due to contact with sharp surfaces!

 Risk of UV-C radiation

1.2 Intention of Use

- This product is not suitable for commercial use and should not be used for a purpose other than its intended use.
- This product is intended for operating interiors, such as households or similar.

For example;

In the staff kitchens of the stores, offices and other working environments,

In farm houses,

In the units of hotels, motels or other resting facilities that are used by the customers,

In hostels, or similar environments,

In catering services and similar non-retail applications.

- This product shall not be used in open or enclosed external environments such as vessels, camper vans, balconies or terraces. Exposing the product to rain, snow, sunlight and wind may cause risk of fire.



1.3 Safety of Children, Vulnerable Persons and Pets

- This product may be used by children aged 8 years and older and persons with under-developed physical, sensory or mental capabilities or lack of experience and knowledge if they are being supervised or have been given instruction concerning use of the appliance in a safe way and the hazards involved.
- Children between 3 and 8 years are allowed to put and take out food into/from the cooler product.
- Children and pets must not play with, climb on, or get inside the product.
- Children and pets must be kept away from the cabin area (compressor) where electrical parts are located.
- Cleaning and user maintenance must not be performed by children unless there is someone overseeing them.
- Keep the packaging materials away from children. Risk of injury and suffocation.
- If there is a lock available on the product's door, keep the key out of children's reach.



1.4 Electrical Safety

- The product shall not be plugged into the outlet during installation, maintenance, cleaning, repair, and transportation operations.
- If the power cable is damaged, it must be replaced by the person sent by the manufacturer, authorized service provider or the importer to prevent any potential danger.
- Do not tuck the power cable under the product or to the rear of the product. Do not put heavy items on the power cable. The power cable should not be bent, crushed, and come into contact with any heat source.
- Use an original cable only. Do not use cut or damaged cables.
- Do not use an extension cord, multi-plug or adaptor to operate your product.
- Portable multi-plugs or portable power supplies may over-heat and cause fire. Thus, do not have a multi-plug, portable power sources behind or in the vicinity of the product.

- Before plugging the product into the power source, please remove the power cable from the condenser hook (if available) during the installation.
- The user should not be able to reach the electrical parts after installation.
- Do not plug the product's power cord in a loose or damaged power outlet. These types of connections may overheat and cause fire.
- The plug shall be easily accessible. If this is not possible, a mechanism that meets the electrical legislation and that disconnects all terminals from the mains (fuse, switch, main switch, etc.) shall be available on the electrical installation.
- The product must not be operated with an external switching device such as a timer, or a remote controlled system.
- Do not use the product when your feet are bare or your body is wet.
- Do not touch the plug with wet hands.
- When unplugging the appliance, don't hold the power cable, but the plug.
- Make sure that the plug is not wet, dirty or dusty.

- Do not ever connect your product to power saving devices. These systems are harmful for the product.

1.5 Handling Safety

- Make sure to unplug the appliance before carrying the product.
- This product is heavy, do not handle it by yourself. Injuries may occur if the product falls on you. Do not bump into places or drop the product while transporting it.
- Always close the doors and do not hold the product by its doors while transporting it.
- Be careful not to damage the cooling system and the pipes while handling the product. Do not operate the product if the pipes are damaged, and contact an authorized service.

1.6 Installation Safety

- To prepare the product for use, see the information in the user and installation manual and make sure the electric and water utilities are as required. If not, call a qualified electrician and plumber to arrange the utilities as necessary.

- **Failure to do so may result in electric shock, fire, problems with the product, or injury.**
- Before starting the installation, switch off the fuse to de-energise the power line to which the product is connected.
- The product should be installed by two or more people. Use protective gloves while removing the product from the packaging and installation.
- This product is designed for use at a maximum altitude of 2000 metres above sea level.
- Keep children away from installation area.
- Check for any damage on the product before installing it. Do not have the product installed if it is damaged.
- Always use personal protective equipment (gloves, etc.) during product installation, maintenance and repair. Risk of injury.
- Do not install or leave the product in places where it may be exposed to external ambient temperatures.
- Place the product on a clean, level and hard surface and balance it with the adjustable legs (by rotating the front feet to the right or left). Otherwise, the refrigerator may tip over and cause injuries.
- Proceed with care to prevent causing any damage to the floors (tiling etc.) while moving the product. Install the product on a floor, or provide sufficient support depending on the size, weight and the use-case of the product. Ensure that the product is not near a heat source, and all four feet are stable and leaning against the floor. Install the product as necessary, and ensure that it is horizontal, using a bubble level. To ensure the complete efficiency of the refrigerant circuit, wait for at least two hours before operating the product.
- The product shall be installed in a dry and ventilated environment. Do not keep carpets, rugs or similar covers under the product. This may cause risk of fire as a result of inadequate ventilation!
- Do not block or cover ventilation holes. Otherwise, power consumption increases and your product may be damaged.
- Leave sufficient space by the sides and above to ensure adequate ventilation. The gap between the back panel and the wall behind the product must be a minimum of 50mm in order to prevent hot sur-

- faces. Reducing this distance may increase the energy consumption of product.
- When placing the product, make sure that the supply cable is not damaged or pinched.
 - The product must not be connected to supply systems and power sources which may cause sudden voltage changes (i.e. a portable solar-energy power source). Otherwise, damage to your product may occur as a result of the abrupt voltage fluctuations!
 - The more refrigerant a refrigerator contains, the bigger its installation room shall be. In very small rooms, a flammable gas-air mixture may occur in case of a gas leak in the cooling system. At least 1 m³ of volume is required for each 8 grams of refrigerant. The amount of the refrigerant available in your product is specified in the Type Label.
 - The product must never be placed in such a way that power cables, the metal hose of the gas stove, metal gas or water pipes come into contact with the product's rear wall (or the condenser).
 - The installation place of the product must not be exposed to direct sunlight and it shall not be in the vicinity of a heat source such as stoves, radiators, etc. If you cannot prevent installation of the product in the vicinity of a heat source, use a suitable insulation plate and make sure the minimum distance to the heat source is as specified below:
 - At least 30 cm away from heat sources such as stoves, ovens, heating units and heaters, etc.,
 - And at least 5 cm away from electrical ovens.
 - Your product has the protection class of I.
 - Plug the product in a grounded socket that conforms with the Voltage, Current and Frequency values specified in the type label. The socket must have a 10A – 16A fuse. Our firm will not assume responsibility for any damages due to usage without earthing and without power connection in compliance with local and national regulations.

- The product's power cable must be unplugged during installation. Otherwise, risk of electric shock and injury may occur!
- Do not plug the product to loose, broken, dirty, greasy sockets or sockets that have come out of their seats or sockets with a risk of water contact. These types of connections may overheat and cause fire..
- Place the power cable and hoses (if any) of the product so that they shall not cause a risk of tripping over.
- Penetration of humidity and liquid to live parts or to the power cord may cause short circuit. Thus, do not use the product in humid environments or in areas where water may splash (e.g. garage, laundry room, etc.) If the refrigerator is wet by water, unplug it and contact an authorized service.
- Do not ever connect your refrigerator to power saving devices. These systems are harmful for the product.
- There is a risk of contact with electrical parts when removing the electronic board cover and the compressor rear cover (if fitted). Do not remove the elec-

tronic board cover and the compressor rear cover (if fitted). There is a risk of electrocution!

 **1.7 Operational Safety**

- Do not ever use chemical solvents on the product. These materials contain an explosion risk.
- In case of a failure of the product, unplug it (or de-energise the fuse to which it is connected), and do not operate until it is repaired by the authorized service. There is a risk of electric shock!
- Do not place flames (lighted candle, cigarette, etc.) or heat sources (iron, hob, oven, etc.) on or near the product. Do not place flammable/explosive materials near the product...
- Do not get on the product. Risk of falling and injury!
- Do not cause damage to the pipes of the cooling system using sharp and piercing tools. The refrigerant that sprays out in case of puncturing the gas pipes, pipe extensions or upper surface coatings may cause irritation of skin and injury to the eyes.
- Do not intervene in or damage the coolant circuit Risk of explosion.

- Do not place and operate electrical appliances inside the refrigerator/freezer unless it is advised by the manufacturer.
- Do not use any procedures other than those recommended by the manufacturer to speed up defrosting.
- Take due care not to jam any parts of your hands or your body to the moving parts inside the product. Be careful to prevent jamming of your fingers between the refrigerator and its door. Be careful while opening or closing the door if there are children around.
- Do not put ice cream, ice cubes or frozen food to your mouth as soon as you take them out of the freezer. Risk of frostbite!
- Do not touch the inner walls, metal parts of the freezer or food kept inside the freezer with wet hands. Risk of frostbite!
- Do not place soda cans or cans and bottles that contain fluids that may be frozen to the freezer compartment. Cans or bottles may explode. Risk of injury and material damage!
- Do not use or place materials sensitive against temperature such as flammable sprays, flammable objects, dry ice or other chemical agents in the vicinity of the refrigerator. Risk of fire and explosion!
- Do not store explosive materials such as aerosol cans with flammable materials inside the product.
- Do not place cans containing fluids over the product an open state. Splashing of water on an electrical part may cause an electric shock or a fire.
- Due to risk of breaking, do not store glass containers with liquid inside in the freezer compartment.
- This product is not intended for storage and cooling of medicines, blood plasma, laboratory preparations or similar materials and products that are subject to the Medical Products Directive.
- If the product is used against its intended purpose, it may cause damage to or deterioration of the products stored inside.
- If your refrigerator is equipped with blue light, do not look at this light with optical devices. Do not stare directly at UV LED light for a long time. Ultraviolet rays may cause eye strain.

- Do not fill the product with more contents than its capacity. Do not use any procedures other than those recommended by the manufacturer to speed up defrosting. Injuries or damages may occur if the contents of the refrigerator fall when the door is opened. Similar problems may also occur when an object is placed over the product.
- Ensure that you have removed any ice or water that may have fallen to the floor to prevent injuries.
- Change the locations of the racks/bottle racks on the door of your refrigerator only when the racks are empty. Danger of injury!
- Do not place objects that may fall/tip over on the product. These objects may fall while opening or closing the door and cause injuries and/or material damages.
- Do not hit or exert excessive pressure on glass surfaces. Broken glass may cause injuries and/or material damages.
- For products designed to use an air filter inside an accessible fan cover, the filter must always be in position when the refrigerator is in function.
- Do not block out the fan (if available) with food.
- Damaged gaskets should be replaced as soon as possible.
- Your product may have special compartments (Fresh Food Compartment, Zero Degrees Compartment etc.) Unless otherwise stated in the relevant manual of the product, these compartments can be removed, and the product can be used with the same performance.
- The cooling system in your product contains R600a refrigerant. The refrigerant type used in the product is specified in the type label. This gas is flammable. Therefore, be careful not to damage the cooling system and the pipes while operating the product. In case of damage to the pipes;
 1. Do not touch the product or the power cable.
 2. Keep the product away from potential sources of fire that may cause the product to catch fire.
 3. Ventilate the area where the product is placed. Do not use a fan.
 4. Contact Authorized Service.Before disposing of old products that shall not be used any more:

1. Unplug the power cord from the mains socket.
 2. Cut the power cable and remove it from the appliance together with the plug.
 3. Do not remove the racks and drawers from the product to prevent children from getting inside the appliance.
 4. Remove the doors.
 5. Store the product so that it shall not be tipped over.
 6. Do not allow children to play with the scrapped product.
 7. If the product is damaged and you observe gas leak, please stay away from the gas. Gas may cause frostbite if it contacts your skin.
- Do not dispose of the product by throwing it into fire. Risk of explosion.
 - If there is a lock available on the product's door, keep the key out of children's reach.

For Products with Water Dispenser / Icematic

- Use only drinking water. Do not fill the water tank with fruit juice, milk, fizzy beverages, alcoholic beverages or any other liquids incompatible for use in the water dispenser. This may cause risk to your health and safety.
- Do not allow the children to play with the water dispenser or icematic to prevent accidents and injuries.
- Do not insert your hands, fingers or other objects inside the hole of the water dispenser, ice channel or inside the container of the icematic. This may cause injuries or material damages.
- The hose sets supplied with the product shall be used. Do not use the old hose sets. Do not extend the hoses!
- Always connect your product to cold water inlet. Do not perform installation on the hot water inlet. The pressure for the cold water inlet shall be 90 PSi (620 kPa – 6.2 bar) maximum. If your water pressure exceeds 80PSi (550 kPa – 5.5 bar) or has a water impact effect, use a pressure limiting valve on your mains system. Ask help from professional plumbers if you do not know how to control your water pressure.
- High pressure may cause damage to the hose connections and pose a risk of flooding.
- Take required precautions against the risk of freezing of hoses. The operating water

temperature interval shall be 0.6°C (33°F) minimum and 38°C (100°F) maximum. There is a risk of flooding if the hose is cracked/perforated.

1.8 Food Storage Safety

Please pay attention to the following warnings to avoid food spoilage:

- Leaving the doors open for a long time may cause the temperature inside the product to rise.
- Regularly clean the accessible drainage systems in contact with food.
- Clean the water tanks that have not been used for 48 hours and mains-fed water systems that have not been used for more than 5 days.
- Store raw meat and fish products in appropriate compartments within the product. Thus, it does not drip on or come into contact with other foods.
- Two-star freezer compartments are used for storing pre-filled foods, making and storing ice and ice cream.
- One, two and three-star compartments are not appropriate for freezing fresh food.

- If the cooling product has been left empty for a long time, turn off the product, defrost, clean, and dry the product in order to protect the housing of the product.
- After the foods are placed, check if the compartment hatches, and especially the freezer door, are properly closed.
- Use the refrigerator compartment for storing fresh foods, and the freezer compartment for storing frozen goods, freezing fresh foods and preparing ice cubes.
- Do not store foods without properly sealing them in the refrigerator and the freezer compartments, to prevent direct contact with the inner surfaces.

1.9 Maintenance and Cleaning Safety

- Unplug the refrigerator or de-energise the fuse before cleaning it or starting to perform maintenance.
- Do not pull by the door or door handle if you are going to move the product for cleaning purposes. The door may cause injuries if the handle is pulled too hard.

- Do not place hands, feet or metal objects under or behind your product. Jamming may occur or any sharp edge may cause personal injuries.
- Do not wash the inside or outside of the product with a pressure washer, steam, spray water or pouring water. Risk of electric shock and fire.
- When cleaning the product, do not use sharp and abrasive tools or household cleaning agents, detergent, gas, gasoline, thinner, alcohol, varnish, and similar substances. Use only cleaning and maintenance agents that are not harmful for food inside the product.
- Do not use paper towels, kitchen sponges or other hard cleaning materials.
- Do not ever use steam or steamed cleaning materials for cleaning the product and thawing the ice inside it. Steam contacts the live areas in your refrigerator and causes short circuit or electric shock.
- Do not use any mechanical tools or any other tools than the recommendations of the manufacturer to speed up the thawing operation.
- Take care to keep water away from the ventilation holes, electronic circuits or lighting of the product. Otherwise, risk of fire or electric shock may occur.
- Use a clean, dry cloth to wipe the dust or foreign material on the tips of the plugs. Do not use a wet or damp piece of cloth to clean the plug. Otherwise, risk of fire or electric shock may occur.

1.10 Lighting

Contact an authorized service when you shall replace the LED / bulb using for lighting.

1.11 Disposal of the Old Product

When disposing of your old product follow the instructions below:

- To prevent children from accidentally locking themselves into the product, if there is door lock, disable it.
- Splash of coolant is harmful to the eyes. Do not damage any part of the cooling system while disposing of the product.
- It may be fatal if the compressor oil is swallowed or if it penetrates the respiratory tract.

- Cooling system of your product includes R600a gas as specified in the type label. This gas is flammable. Do not dispose of the product by throwing it into fire. Risk of explosion!

- C-Pentane is used as a blowing agent in insulation foam and it is a flammable substance. Do not dispose of the product by throwing it into fire.

2 Environmental Instructions

2.1 Compliance with the WEEE Directive and Disposing of the Waste Product



This product complies with EU WEEE Directive (2012/19/EU). This product bears a classification symbol for waste electrical and electronic equipment (WEEE).

This symbol indicates that this product shall not be disposed with other household wastes at the end of its service life. Used device must be returned to official collection point for recycling of electrical and electronic devices. To find these collection systems please contact to your local authorities or retailer where the product was purchased. Each household performs important role in recovering and recycling of old appliance. Appropriate disposal of used appliance helps prevent potential negative consequences for the environment and human health.

Compliance with RoHS Directive

The product you have purchased complies with EU RoHS Directive (2011/65/EU). It does not contain harmful and prohibited materials specified in the Directive.



Package information

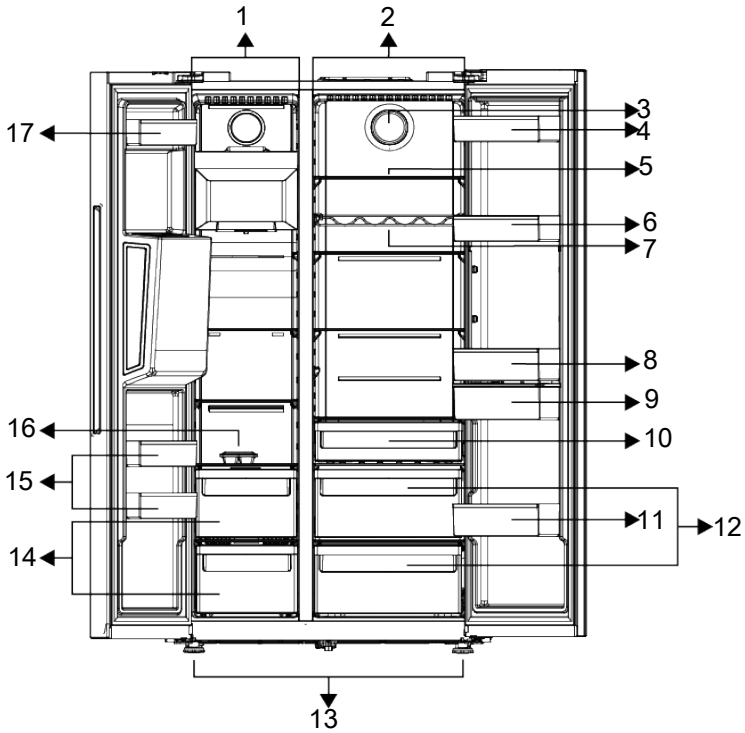
Packaging materials of the product are manufactured from recyclable materials in accordance with our National Environment Regulations. Do not dispose of the packaging materials together with the domestic or other wastes. Take them to the packaging material collection points designated by the local authorities.



Conformity with standards and test information / Declaration of EC conformity

Development, manufacture and sales stages of this product conform to the safety rules in all relevant guidelines of the European Community. 2014/35/EU, 2014/30/EU, 93/68/EC, IEC 60436/DIN 44990, EN 50242

3 Your Refrigerator



- | | |
|--------------------------------------|--------------------------------------|
| 1 Freezer compartment | 2 Cooler compartment |
| 3 Fan | 4 *Cooler compartment door shelves |
| 5 *Cooler compartment glass shelves | 6 Egg holder |
| 7 *Bottle shelf | 8 *Bottle shelf |
| 9 *Water tank | 10 *Dairy cold storage drawer |
| 11 *Cooler compartment door shelves | 12 *Crispers |
| 13 Adjustable legs | 14 *Frozen food storing compartments |
| 15 *Freezer compartment door shelves | 16 *Icebox / Ice machine |
| 17 *Freezer compartment door shelves | |

***Optional:** Figures in this user manual are schematic and may not exactly match your product. If your product does not comprise the relevant parts, the information pertains to other models.

4 Installation

Right place for installation

Read the "Safety Instructions" first!

Contact the Authorized Service for the product's installation. To prepare the product for installation, see the information in the user manual and make sure the electric and water utilities are as required. If not, call an electrician and plumber to arrange the utilities as necessary.

- Damaged power cable must be replaced by Authorized Service.
- When placing two coolers in adjacent position, leave at least 4 cm distance between the two units.
- Keep the product out of direct sunlight and in a dry place.
- Your product requires adequate air circulation to function efficiently. If you place the product in an alcove, remember to leave at least 5 cm clearance between the product and the ceiling, rear wall and the side walls. Check if the rear wall clearance protection component is present at its location (if provided with the product). If the component is not available, or if it is lost or fallen, position the product so that at least 5 cm clearance shall be left between the rear surface of the product and the wall of the room. The clearance at the rear is important for efficient operation of the product.
- If the door span is too narrow for the product to pass, remove the door and turn the product sideways; if this does not work, contact the authorized service.
- Place the product on a flat surface to avoid vibration
- Place the product at least 30 cm away from the heater, stove and similar sources of heat and at least 5 cm away from electric ovens.
- Do not expose the product to direct sunlight or keep in damp environments.
- Before transport or use, never open the control board cover on the product. Risk of electric shock and fire!

- Our firm will not assume responsibility for any damages due to usage without earthing and without power connection in compliance with national regulations.
- The power cable plug must be easily accessible after installation.

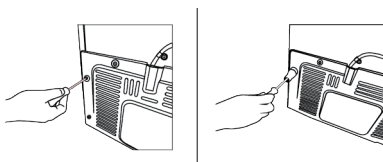
Hot surface warning!

The side walls of your product are equipped with cooler pipes to enhance the cooling system. High pressure fluid may flow through these surfaces, and cause hot surfaces on the side walls. This is normal and it does not require servicing. Be careful when you contact these areas.

Attaching the plastic wedges

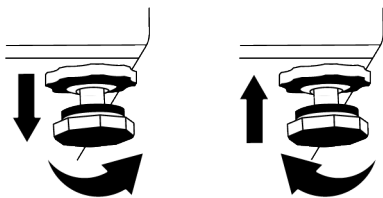
Use the plastic wedges provided with the product to maintain sufficient space for air circulation between the product and the wall.

- Remove the screws on the product and mount the screws provided with the wedges.
- Attach 2 plastic wedges on the ventilation cover as shown in the figure.



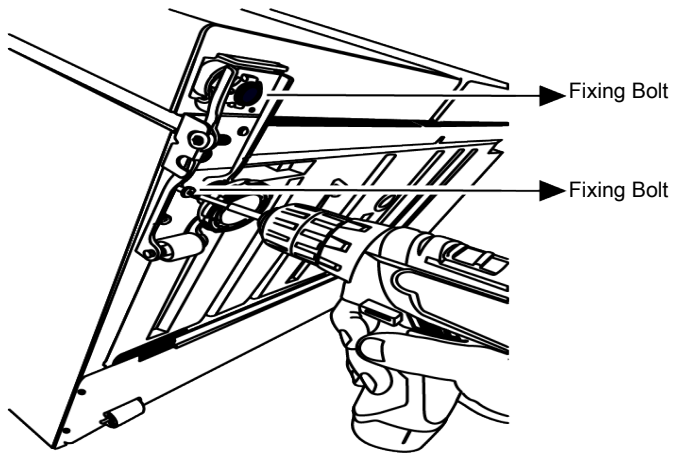
Adjusting the Legs

If the product is not in balanced position, adjust the front adjustable stands by rotating right or left.



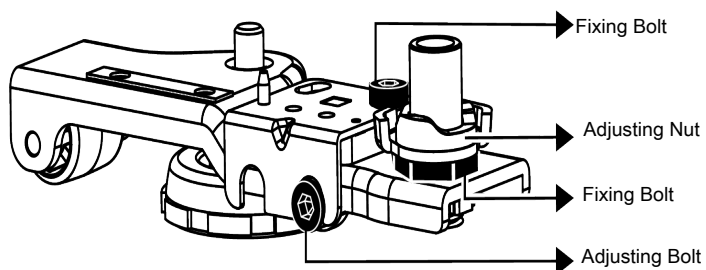
For adjusting the doors vertically,

Loosen the fixing nut at the bottom. Screw adjusting nut (CW/CCW) according to the position of the door. Tighten the fixing nut bolt for the final position.

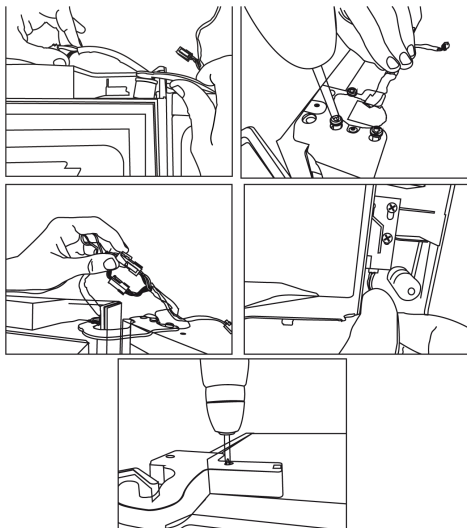


For adjusting the doors horizontally,
 Loosen the fixing screw at the bottom
 Loosen the fixing nut at the top. Screw the
 adjusting bolt (CW/CCW) on the side ac-

ording to the position of the door. Tighten
 the fixing nut on the top for the final posi-
 tion Tighten the fixing screw at the bottom



Fix the upper hinge assembly with 3 screws.
Install the hinge cover after the sockets are installed.
Secure the hinge cover with two screws.



5 Preparation

Read the "Safety Instructions" first!

5.1 What To Do For Energy Saving

- This refrigerating appliance is not intended to be used as a built in appliance.
- When loading the food, leave enough space inside the refrigerator to allow sufficient air circulation for cooling.
- Since hot and humid air will not directly penetrate into your product when the doors are not opened, your product will optimize itself in conditions sufficient to protect your food. Under these circumstances, functions and components such as compressor, fan, heater, defrost, lighting, display and so on will operate according to the needs by consuming minimum energy.
- In case that multiple options are present, glass shelves must be placed so that the air outlets at the rear wall are not blocked and preferably, in a way that air outlets remain below the glass shelf. This combination may help improving air distribution and energy efficiency.
- Store food in the cooler or chill compartment according to proper storage conditions to save energy.

5.2 First Use

Before using your product make sure the necessary preparations are made in line with the instructions in "Safety Instructions" and "Installation" sections.

- Wait for at least 2 hours before operating the product, to ensure the complete efficiency of refrigeration.
- Keep the product running without placing any food inside for 6 hours and the product door should be kept as closed as possible.
- The temperature change caused by opening and closing of the door while using the product may normally lead to condensation on door/body shelves and glassware placed in the product.
- A sound will be heard when the compressor is engaged. It is normal for the product to make noise even if the compressor is not running, as fluid and gas may be compressed in the cooling system.
- It is normal for the front edges of the product to be warm. These areas are designed to warm up in order to prevent condensation

- For some models, indicator panel turns off automatically 1 minute after the door closes. It will be reactivated when the door is opened or any button is pressed.

5.3 Climate Class and Definitions

Please refer to the Climate Class on the rating plate of your device. One of the following information is applicable to your device according to the Climate Class.

- **SN:** Long Term Temperate Climate: This cooling device is designed for use at ambient temperatures between 10 °C and 32 °C.
- **N:** Temperate Climate: This cooling device is designed for use at ambient temperatures between 16°C and 32 °C.
- **ST:** Subtropical Climate: This cooling device is designed for use at ambient temperatures between 16°C and 38°C.
- **T:** Tropical Climate: This cooling device is designed for use at ambient temperatures between 16°C and 43°C.

6 Operating the Product

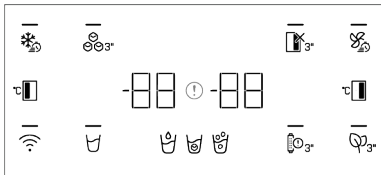
Read the "Safety Instructions" first!

- The product shall be used for storing food only.
- Turn off the water valve if you will be away from home (e.g. at vacation) and you will not be using the Icematic or the water dispenser for a long period of time. Otherwise, water leaks may occur.

Unplugging the Product

- Remove the food to prevent odours,
- Wait for the ice to melt, clean the interior and let it dry, leave the doors open to avoid damaging the inner body plastics.

7 Control Panel of the Product



Read the "Safety Instructions" first!

Auditory and visual functions on the indicator panel will assist you in using the refrigerator.

*Optional: Shown functions are optional, there may be differences of shape and location in functions found on your appliance's indicator panel.

Quick Freezing Key

When the quick freezing key is pressed, the LED on the key is illuminated and the quick freezing function will be activated. Freezer compartment temperature is set to -27 Celsius. Press the key again to cancel the function. The quick freezing function will be cancelled automatically. To freeze a large

amount of fresh food, press the quick freezing key before placing the food in the freezer compartment.

Icematic On/Off Button

Pressing this key for 3 seconds activates the ice making process and the LED on the key lights up. Pressing the key for 3 seconds again cancels the ice making process and the ice cubes that have been created before can be used even though the function is cancelled.

Error Status Indicator

This indicator shall be active when your refrigerator cannot perform adequate cooling or in case of any sensor error. "E" will be displayed on the freezer compartment temperature indicator and figures such as 1,2,3... will be displayed on the cooler compartment temperature indicator.

These figures provide information to the authorized service on the error that has occurred.

Exclamation mark may be displayed when you load warm food to the freezer compartment or keep the door open for a long period of time. This is not a fault, this warning will be removed when the food is cooled down or when any key is pressed.

Cooler Compartment Off (Vacation)

Function Key

To activate the vacation function, press on the key for 3 seconds.

The vacation mode will be activated and the LED on the key will be illuminated. "- -" shall be displayed on the Cooler Compartment temperature indicator and the cooler compartment does not actively perform cooling. You should not keep your food in the cooler compartment if you activate this function. The other compartments continue to cool according to temperatures set before. Press and hold the key for 3 seconds again to cancel this function.

Quick Cooling Key

When you press the quick cooling key, the LED on the key is illuminated and the quick cooling function shall be activated. Cooler compartment temperature is set to 1 Celsius. Press the key again to cancel the function. The quick freezing function will be cancelled automatically when the cooling is done.

Cooler Compartment Temperature Setting Key

Allows setting of temperature for cooler compartment. Pressing this key will enable the cooler compartment temperature to be set at 8,7,6,5,4,3,2 and 1 Celsius.

Deodoriser Module Key

Press this key for 3 seconds to activate/deactivate the deodoriser feature. When the deodoriser feature is active, the LED on the respective key is illuminated. When the feature is active, the deodoriser module will be operated periodically.

Filter Replacement Warning Key

The water inlet filter of the refrigerator should be changed in regular intervals. Your refrigerator will calculate this time

automatically. When the filter lifespan has expired, the LED on the filter replacement warning key lights up. After changing the filter, press and hold the button for 3 seconds to turn off the filter replacement warning LED.

Water, Ice Cube, Crashed Ice Selection

Key

This key allows you to switch between water, ice cube and crushed ice selections. When you activate the feature, light on the key shall remain lit.

Wireless Key

This key is used to make a wireless connection with your product via HomeWhiz mobile app.

When you press the key for 3 seconds, the LED on the key flashes slowly (at intervals of 0.5 seconds). The home network is initialized on the product this way.

After achieving wireless connection with the product, the LED on the key illuminates permanently.

When the initial connection is established, you may activate/deactivate the connection with a short press on this key. The LED on the key shall flash quickly (at intervals of 0.2 seconds) till your appliance is connected. When the connection is active, LED will remain lit.

If the connection cannot be established for a long period, check your connection settings and refer to the "Troubleshooting" section provided in the user manual.

HomeWhiz application will be used for wireless connection. The installation steps are described on the application during installation. You may access the application by reading the QR code available on the HomeWhiz label on the product. Application is offered through App Store for IOS devices, and through Play Store for Android devices.

Visit <https://www.homewhiz.com/> address for detailed information.

Freezer Compartment Temperature Setting Key

Temperature setting is made for freezer compartment. Pressing this key will enable the freezer compartment temperature to be set at -16,-17,-18,-19,-20,-21,-22 Celsius.

*

The temperature can be set between 1-8°C for the chiller compartment and between -24 and -15°C for the freezer compartment. Adjustable temperature values may vary provided that they are within these ranges according to product specifications.

8 Use of Your Appliance

8.1 Storing Food in the Freezer and Cooler Compartment

Storing food in the freezer compartment

- You can activate Quick Freezing function 4-6 hours before freezing function and perform a faster cooling.
- Bring hot meals to the room temperature before placing them in the freezer compartment.
- Foods to be frozen must be divided into portions according to a size to be consumed, and frozen in separate packages.
- It is recommended to pack the foods before placing them in the freezer.
- In order to prevent expiration of storage time, write the freezing date, time and name of the product on the package according to the storage times of different foods.
- Consume the foods you have defrosted quickly. Defrosted foods cannot be frozen again unless they are cooked. It is not safe to consume the refrozen fresh foods without cooking after they are defrosted.
- As you freeze fresh foods, do not bring them in contact with already frozen foods. Otherwise, frozen foods will be defrosted.

Storing the foods, which are sold frozen

- When storing food, follow the time periods specified in these instructions.

- In order to protect the quality of the food, keep the time interval between purchasing transaction and storing as short as possible.
- Buy frozen food which are stored at -18 °C or lower temperatures.
- Avoid buying foods whose packages are covered with ice etc. This means that the product could be partially defrosted and refrozen. Temperature impacts the quality of the food.
- Do not exceed the storing time recommended by the food producer. Remove only the food as much as you need from the freezer.
- Except the cases where extreme circumstances are available in the environment, if your product (on the recommended set values table) is set to the specified set values, the food keep their freshness for a longer time both in the fresh product compartment and freezer compartment.
- If fresh food compartment is set to a lower temperature, fresh fruits and vegetables may be partially frozen.

Quick freezing

1. Activate the quick freezing function 24 hours before placing your fresh foods.
2. After 24 hours after pressing the button, place your food that you want to freeze in the third or fourth shelves with higher freezing capacity.
3. Once the quick freezing function is activated, it is automatically cancelled after a period of time.

Freezer Compartment Setting	Fridge Compartment Setting	Remarks
-18°C	3°C	This is the default, recommended setting. This setting is recommended if ambient temperature is below 30°C.
-18°C or colder	3°C	These settings are recommended for ambient temperatures exceeding 30°C.
Quick Freeze	3°C	Use when you want to freeze your food in a short time. When the process ends, the product's settings will return to previous position.
-18°C or colder	2°C	Use these settings if you believe the cooler compartment is not cold enough due to ambient temperature or frequently opening the door.

Freezer details

As per the IEC 62552 standards, the freezer must have the capacity to freeze 4,5 kg of food items at -18°C or lower temperatures at 25°C room temperature in 24 hours for each 100 litres of freezer compartment volume.

Food products can only be preserved for extended periods at or below temperature of -18 °C.

You can keep the foods fresh for months (in freezer at or below temperatures of -18 °C).

The food products to be frozen must not contact the already-frozen food inside to avoid partial defrosting.

Boil the vegetables and filter the water to extend the frozen storage time. Place the food in air-tight packages after filtering and place in the freezer. Bananas, tomatoes, lettuce, celery, boiled eggs, potatoes and similar food items should not be frozen. In case these foods are frozen, only nutritional values and eating qualities will be negatively affected. A rotting that would threaten human health is not in question.

Placing the food

Freezer compartment shelves: Different frozen foods like meat, fish, ice cream, vegetables etc.

Cooler compartment shelves: Food items inside pots, capped plate and capped cases, eggs (in closed case)

Cooler compartment door shelves: Small and packaged food or beverages

Crisper: Vegetables and fruits

Fresh food compartment: Delicatessen (breakfast food, meat products to be consumed in short time)

Storing food in the cooler compartment

- Compartment temperatures rise prominently if compartment door is opened and closed frequently and kept open for a long time, this can reduce the life span of the food and cause the food to spoil.
- In order not to cause odour and taste changes, the food should be stored in the closed containers.
- Do not store too much food in your refrigerator. To achieve a better and homogeneous cooling, place the food separately in a way that cold air can wander through them.
- Provide air flow by leaving a space between the food and internal wall. If you lean the food against the rear wall, the food may freeze.
- Bring cooked hot meals to the room temperature before placing them in the refrigerator. Then, you can place the tepid meal in the lower shelves of your refrigerator. Do not place the tepid meals close to the foods which may easily spoil.
- Defrost your frozen food in the fresh food compartment. Thereby, you can cool fresh food compartment by using frozen food and save energy.
- Storing unripe tropical fruits (mango, melon varieties, papaya, banana, pineapple) in the refrigerator may speed up the ripening process. This is not recommended because it will cause shorter storage time.
- You should store onions, garlicks, gingers and other root vegetables in dark and cold room conditions, not in the refrigerator.

- If you notice that a food has spoiled in the refrigerator, throw away that food and clean the accessories which have come into contact with it.
- In order to cool the meals like soups and stews, which are cooked in the large pots, quickly, you can put them in the refrigerator by separating them into their own shallow containers.
- Do not place unpackaged food close to eggs.
- Keep the fruits and vegetables separately and store each variety together (for example; apples with apples, carrots with carrots).
- Take green vegetables out of the plastic bag and place them in the refrigerator after wrapping them in a paper towel or drying cloth. If you wash this type of food before placing them in the refrigerator, remember to dry them.
- You can both create a damp environment and provide an air flow by keeping fruits and vegetables, which are prone to drying, in the perforated or unsealed plastic bags.
- Except the cases where extreme circumstances are available in the environment, if your product (on the recommended set values table) is set to the specified set values, the food keep their freshness for a longer time both in the fresh product compartment and freezer compartment.

Store different food in different places according to their properties.

Food	Location
Egg	Door Shelf
Dairy products (butter, cheese)	If available, zero degree (for breakfast food) compartment
Fruits, vegetables and greenery	Fruit-vegetable compartment, crisper or EverFresh+ compartment (if available)
Fresh meat, poultry, fish, sausage etc. Cooked foods	If available, zero degree (for breakfast food) compartment
Ready to serve foods, packaged products, canned foods and pickles	Top shelves or door shelf
Beverages, bottles, spices and snacks	Door Shelf

8.2 Door Open Alert

The door open alert system of your refrigerator may differ depending on the model.

Version 1;

If the door of the product remains open for a certain time (between 60 s and 120 s), an audio warning signal sounds; depending on the product model, a visual warning signal (light flash) can also be displayed. If you close the door of the device or press a button on the screen of the device, if any, the warning sound will stop.

Version 2;

If the door of the device remains open for a certain period of time (between 60 s and 120 s), the door open alert is sounded. The door open alert is sounded gradually. First,

an audible warning starts to sound. After 4 minutes, if the door is still not closed, a visual warning (lighting flash) is activated. The door open alert will be delayed for a certain period of time (between 60 s and 120 s) when any key on the product screen, if any, is pressed. Then the process will start again. When the device door is closed, the door open alert will be cancelled.

8.3 Replacing the Illumination Lamp

Call the Authorized Service when the Bulb/LED used for lighting in your refrigerator will be replaced.

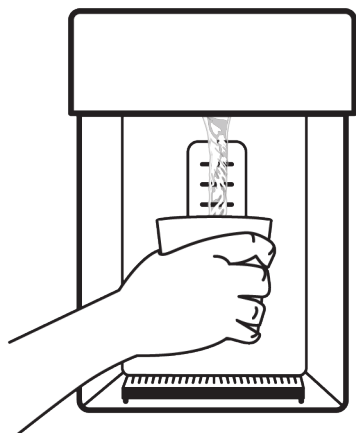
Lamp(s) used in this appliance cannot be used for house lighting. Intended use of this lamp is to help the user place food into the refrigerator / freezer safely and comfortably.

9 Product Features

9.1 The ice storage area

Ice/Water Taking

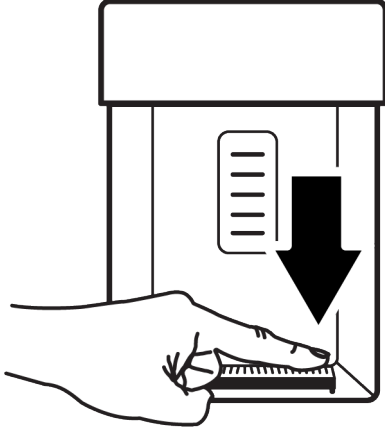
Select the related option by using the display in order to take water (🍵) / ice cube (🧊) / crushed ice (🧊). Push forward the trigger on the water dispenser in order to take water/ice. When you switch between ice cube (🧊) / crushed ice (🧊) options, ice type remaining from the previous selection can be given in the first few takings.



- In order to take ice from ice / water dispenser for the first time, you have to wait approximately for 12 hours. In the event that there is not sufficient ice in the ice container, you cannot take ice from the dispenser.
- Do not consume the ice cubes (3-4 litres) after first running.
- If a power failure or temporary malfunction arises while the product is running, ices may melt a little and refreeze. In this case, ices may stick to each other. In the event that the power failure or the malfunction goes on, ices may melt and cause a water leakage. When such a problem exists, clean the ice container by pouring the ices left in the ice container.
- The water system of the product should only be connected to cold water line. It should not be connected to the hot water line.
- Water may not be taken during the first operation of the product. This is because there is air in the system. You have to discharge the air in the system. For this purpose, press on the trigger of the dispenser for 1-2 minutes until the water comes from the water dispenser. At the beginning, the water flow may be irregular. Water flow will return to normal after the air in the system is discharged.
- A blurry water may come out when the filter is used for the first time. The first 10 glasses of water should not be consumed.
- When the product is set up for the first time, approximately 12 hours should be passed for the water to cool.
- The water system of the product has been designed in a way that it can only work with clean water. Do not use any beverage except water.
- If you will not use the product for a long time for the reasons of vacation etc., we recommend you to cancel the water connection. When the water dispenser is not used for a long time, the first 1-2 glasses of water may come out hot.
- *When the tank is reinstalled after cleaning or water filling, air may remain in the hose, which may delay the water flow. In this case, press and hold the trigger for about 30 seconds to allow the water to come out. Continue to take water with the trigger pressed for 30 seconds.

Drip tray

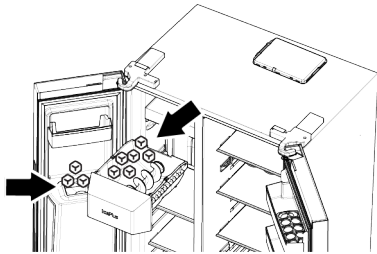
The water dripping from the water dispenser accumulates on the drip tray, there is not a water outlet. You can take out the drip tray by pulling it toward yourself or pressing on its edge. You can clean the water in the drip tray in this way.



Ice Machine

Ice machine is on the upper section of the freezer body.

By grabbing the handle under the front part, pull the ice storage bin towards yourself to remove.



To remove the ice storage bin

Grab the handle on the bottom of the bin and pull it towards yourself.

To reinstall the ice storage bin

Put the bin to its slot and push it back holding parallel to the ground. Please make sure that no space will be left between the bin and the ice maker compartment.

In case you cannot get all the ice cubes produced

Ice cubes remaining in the storage bin for a long time may stick together and form large ice blocks. In this case, remove the ice storage bin as described in the manual, separate ice cubes, remove the ones that cannot be separated from the bin and put the remaining cubes back into the bin.

If the problem persists, please check the ice channel, and clear if it is blocked.

When using the ice machine for the first time or after a long period

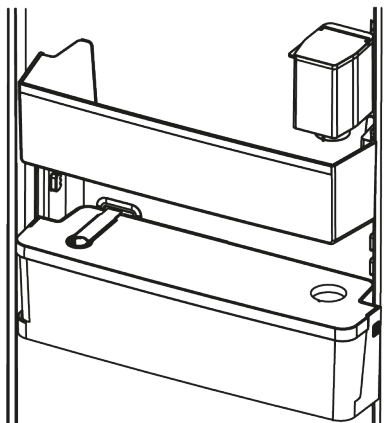
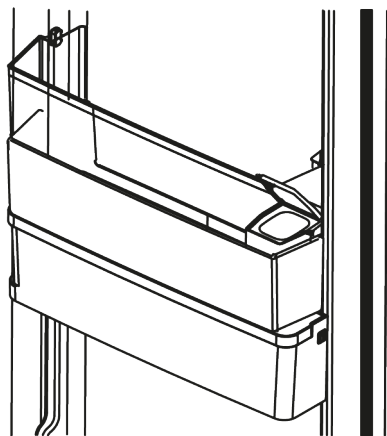
Ice cubes may get smaller due to the residual air in the water system. The air will be automatically discharged after being used for some time.

- Do not use the ice cubes produced on the first day so that you can refresh all remaining water in the system.
- Do not insert your hand or any other object into the ice channel and ice crushing blades while the refrigerator is operating.
- Do not allow kids to hang onto the ice machine, ice storage bin or water/ice dispenser.
- Grasp the ice storage bin firmly with both hands so as not to drop it.
- When you close the door of your appliance fast, the water in the ice maker may splash into the ice storage bin.
- Do not disassemble the ice storage bin unless necessary.
- In case of a jam (appliance does not drop ice) while getting crushed ice, try getting ice cube.
- Then you can retry getting crushed ice.
- When getting crushed ice, the appliance may produce ice cubes first. It is possible for the appliance to produce ice cubes when getting crushed ice.
- The freezer door of the ice machine may be covered by a light frost and a film layer.
- This is normal and we recommend you to immediately clean it.
- After some time, water may fill in the grid which is at the bottom of the water dispenser.

- We recommend you to remove the water in the grid regularly.
- It is normal to hear a sound when ice cubes are falling down from the ice storage bin. This does not mean any malfunction.
- The blade mechanism of the ice bin is sharp and may injure your hand.
- If ice cubes aren't released from the ice dispenser, it means that the ice cubes may be stuck together. You need to clean the bin to continue to get ice cubes.
- When the trigger is pressed to get ice (Indicator etc.), ice type cannot be changed. You should release the trigger (Indicator etc.), change the ice type and take ice again. For this purpose, you can take ice again after changing the ice type on the indicator.

Cleaning the water tank

- Remove the water filling tank inside the door shelf.
- Detach it by holding both sides of the door shelf.
- Remove and clean the cover of water tank.



Do not fill the water tank with fruit juice, fizzy drinks, alcoholic beverages or other liquids which are not suitable to be used with water dispenser. Using such liquids will cause malfunction and irreparable damage in the water dispenser. Using the water dispenser in this way is not covered by the guarantee. These types of specific chemicals and additives in the beverages/liquids may cause material damage in the water dispenser.

Components of the water tank and water dispenser should not be washed in dishwasher.

9.2 Egg holder

You can place the egg holder on the door or body shelf you wish.

If the egg holder is to be placed on the body shelf, we recommend you to choose colder lower shelves.

- Never place the egg holder on the freezer compartment.

9.3 Crisper

The refrigerator's crisper is designed to keep vegetables fresh by preserving their humidity. For this purpose, the overall cold air circulation is intensified in the crisper. Keep fruits and vegetables in this compartment. Keep the green-leaved vegetables and fruits separately to prolong their life.

9.4 Dairy Products Cold Storage Area

Cold Storage Drawer

The Cold Storage Drawer can reach lower temperatures in the cooler compartment. Use this drawer for delicatessen products

10 Maintenance and Cleaning

Read the "Safety Instructions" first!

Before cleaning your product, unplug it or de-energize the fuse to which it is connected.

Do not place your hands, feet or metal objects under the refrigerator or between the refrigerator and the floor for whatsoever reason. Jamming may occur or any sharp edge may cause personal injuries.

- Do not use sharp or abrasive tools to clean the product. Do not use materials such as household cleaning agents, soap, detergents, gas, gasoline, thinner, alcohol, wax, etc.
- The dust shall be removed from the ventilation grill on the rear of the product at least once a year (without opening the cover). Clean the product with a dry cloth.

For products with Water Dispenser / Ice Maker

- If the water in the water tank has waited for 2-3 weeks, it shall be replaced.
- The water tank and the components of the water dispenser shall not be washed in dishwashers.
- Melt a teaspoonful of carbonate in half a litre of water. Moisten a piece of cloth in the water and wring out. Wipe the device with this cloth and dry off thoroughly.
- Take care to keep water away from the lamp's cover, LED lighting glass, vent holes or other electrical parts. Risk of electric shock and short circuit!
- Do not open live sections (control board cover, compressor rear cover if any, etc.) without the presence of an authorized person and do not perform any cleaning, maintenance or repair here. If your product has no cover in the compressor

(salami, sausage, etc.) and dairy products that require colder storage conditions, or for meat, chicken or fish to be consumed quickly. It is not suitable to store fruits and vegetables in this drawer.

section, do not touch this area with your hands or with any object. Risk of electric shock and injury!

- Clean the door with a damp cloth. Remove door and body racks, as well as all contents within the refrigerator. Remove the door racks by lifting them upwards. Clean and dry the racks, then attach back in place by sliding from above.
- Do not use chlorinated water or cleaning products on the exterior surface and chrome coated parts of the product. Chlorine will cause rust on such metallic surfaces.
- Do not place your hands, feet or metal objects under the refrigerator. Jamming may occur or any sharp edge may cause personal injuries..
- Do not use sharp and abrasive tools, soap, house cleaning materials, detergents, gas, gasoline, varnish and similar substances to prevent deformation of and removal of prints on the plastic part. Use warm water and a soft cloth for cleaning, and then dry it.

On the products without a No-Frost feature;

- Water droplets and icing up to a thickness of a finger may occur on the rear wall of the freezer compartment. Do not clean, and never apply oils or similar materials.
- Use a mildly dampened micro-fibre cloth to clean the external surface of the product. Sponges and other types of cleaning clothes may cause scratches.
- To clean all removable components during the cleaning of the interior surface of the product, wash these components

with a mild solution consisting of soap, water and carbonate. Wash and dry thoroughly. Prevent contact of water with illumination components and the control panel.

- Take care to keep water away from the lamp's cover and other electrical parts.
- Clean the door with a damp cloth. Remove all contents to remove the door and body racks. Remove the door racks by lifting them upwards. Clean and dry the shelves, then attach back in place by sliding from above.
- Do not use chlorinated water or cleaning products on the exterior surface and chrome coated parts of the product. Chlorine will cause rust on such metallic surfaces.
- Do not use sharp and abrasive tools, soap, house cleaning materials, detergents, gas, gasoline, varnish and similar substances to prevent deformation of and removal of prints on the plastic part. Use warm water and a soft cloth for cleaning, and then dry it.
- On the products without a No-Frost feature, water droplets and icing up to a thickness of a finger may occur on the rear wall of the cooler compartment. Do not clean, and never apply oils or similar materials.
- Use only a mildly dampened micro-fibre cloth to clean the external surface of the product. Sponges and other types of cleaning clothes may cause scratches.

11 Troubleshooting

Read the "Safety Instructions" first! Check this list before contacting the service. Doing so will save you time and money. This list includes frequent complaints that are not related to faulty workmanship or materials. Certain features mentioned herein may not apply to your product.

- To clean all removable components during the cleaning of the interior surface of the product, wash these components with a mild solution consisting of soap, water and carbonate. Wash and dry thoroughly. Prevent contact of water with illumination components and the control panel.
- Do not use vinegar, rubbing alcohol or other alcohol based cleaning agents on any interior surface.

Stainless Steel External Surfaces

Use a non-abrasive stainless steel cleaning agent and apply it with a soft lint-free cloth. To polish, gently wipe the surface with a micro-fibre cloth dampened with water and use dry polishing chamois. Always follow the veins of the stainless steel.

Preventing Odours

The product is manufactured free of any odorous materials. However, inappropriately storing food and improper cleaning of internal surfaces may lead to odours.

- To avoid this, clean the inside with carbonated water every 15 days.
- Keep the foods in sealed holders, as micro-organisms arising from foods kept in unsealed containers will cause bad odour.
- Do not keep expired and spoilt foods in the refrigerator.

Protecting Plastic Surfaces

Oil spilled on plastic surfaces may damage the surface and must be cleaned immediately with warm water.

If the problem persists after following the instructions in this section, contact your vendor or an Authorized Service. Do not try to repair the product.

The refrigerator is not working.

- The power plug is not fully settled. >>> Plug it in to settle completely into the socket.
- The fuse connected to the socket powering the product or the main fuse is blown. >>> Check the fuse.

Condensation on the side wall of the cooler compartment (MULTI ZONE, COOL CONTROL and FLEXI ZONE).

- The door is opened too frequently. >>> Take care not to open the product's door too frequently.
- The environment is too humid. >>> Do not install the product in humid environments.
- Foods containing liquids are kept in unsealed holders. >>> Keep the foods containing liquids in sealed holders.
- The product's door is left open. >>> Do not keep the product's door open for long periods.
- The thermostat is set to a very cool temperature. >>> Set the thermostat to an appropriate temperature.

Compressor is not working.

- In case of sudden power failure or pulling the power plug off and putting back on, the gas pressure in the product's cooling system is not balanced, which triggers the compressor thermic safeguard. The product will restart after approximately 6 minutes. If the product does not restart after this period, contact the service.
- Defrosting is active. >>> This is normal for a fully-automatic defrosting product. The defrosting is carried out periodically.
- The product is not plugged in. >>> Make sure the power cord is plugged in.
- The temperature setting is incorrect. >>> Select the appropriate temperature setting.
- The power is out. >>> The product will continue to operate normally once the power is restored.

The refrigerator's operating noise is increasing while in use.

- The product's operating performance may vary depending on the ambient temperature variations. This is normal and not a malfunction.

The refrigerator runs too often or for too long.

- The new product may be larger than the previous one. Larger products will run for longer periods.
- The room temperature may be high. >>> The product will normally run for long periods in higher room temperature.
- The product may have been recently plugged in or a new food item is placed inside. >>> The product will take longer to reach the set temperature when recently plugged in or a new food item is placed inside. This is normal.
- Large quantities of hot food may have been recently placed into the product. >>> Do not place hot food into the product.
- The doors were opened frequently or kept open for long periods. >>> The warm air moving inside will cause the product to run longer. Do not open the doors too frequently.
- The freezer or cooler door may be ajar. >>> Check that the doors are fully closed.
- The product may be set to a temperature that is too low. >>> Set the temperature to a higher degree and wait for the product to reach the adjusted temperature.
- The cooler or freezer door washer may be dirty, worn out, broken or not properly settled. >>> Clean or replace the gasket. Damaged / torn door washer will cause the product to run for longer periods to preserve the current temperature.

The freezer temperature is very low, but the cooler temperature is adequate.

- The freezer compartment temperature is set to a very low degree. >>> Set the freezer compartment temperature to a higher degree and check again.

The cooler temperature is very low, but the freezer temperature is adequate.

- The cooler compartment temperature is set to a very low degree. >>> Set the cooler compartment temperature to a higher degree and check again.

The food items kept in cooler compartment drawers are frozen.

- The cooler compartment temperature is set to a very low degree. >>> Set the cooler compartment temperature to a higher degree and check again.

The temperature in the cooler or the freezer is too high.

- The cooler compartment temperature is set to a very high degree. >>> Temperature setting of the cooler compartment has an effect on the temperature in the freezer compartment. Wait until the temperature of relevant parts reach the sufficient level by changing the temperature of cooler or freezer compartments.
- The doors were opened frequently or kept open for long periods. >>> Do not open the doors too frequently.
- The door may be ajar. >>> Fully close the door.
- The product may have been recently plugged in or a new food item is placed inside. >>> This is normal. The product will take longer to reach the set temperature when recently plugged in or a new food item is placed inside.
- Large quantities of hot food may have been recently placed into the product. >>> Do not place hot food into the product.

Shaking or noise.

- The surface is not flat or durable >>> If the product is shaking when moved slowly, adjust the stands to balance the product. Also make sure the ground is sufficiently durable to bear the product.
- Any items placed on the product may cause noise. >>> Remove any items placed on the product.
- The product is making noise of liquid flowing, spraying etc.

- The product's operating principles involve liquid and gas flows. >>> This is normal and not a malfunction.

There is sound of wind blowing coming from the product.

- The product uses a fan for the cooling process. This is normal and not a malfunction.

There is condensation on the product's internal walls.

- Hot or humid weather will increase icing and condensation. This is normal and not a malfunction.
- The doors were opened frequently or kept open for long periods. >>> Do not open the doors too frequently; if open, close the door.
- The door may be ajar. >>> Fully close the door.

There is condensation on the product's exterior or between the doors.

- The ambient weather may be humid, this is quite normal in humid weather. >>> The condensation will dissipate when the humidity is reduced.

The interior smells bad.

- The product is not cleaned regularly. >>> Clean the interior regularly using sponge, warm water and carbonated water.
- Certain holders and packaging materials may cause odour. >>> Use holders and packaging materials without free of odour.
- The foods were placed in unsealed holders. >>> Keep the foods in sealed holders. Micro-organisms may spread out of unsealed food items and cause bad odour.
- Remove any expired or spoilt foods from the product.

The door is not closing.

- Food packages may be blocking the door. >>> Relocate any items blocking the doors.
- The product is not standing in full upright position on the ground. >>> Adjust the stands to balance the product.

- The surface is not flat or durable >>> Make sure the surface is flat and sufficiently durable to bear the product.

The crisper is jammed.

- The food items may be in contact with the upper section of the drawer. >>> Reorganize the food items in the drawer.

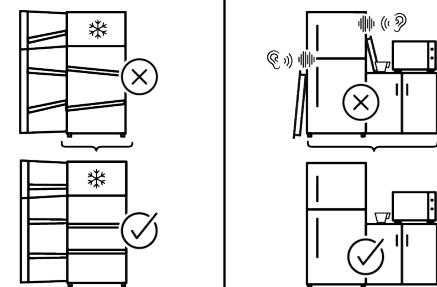
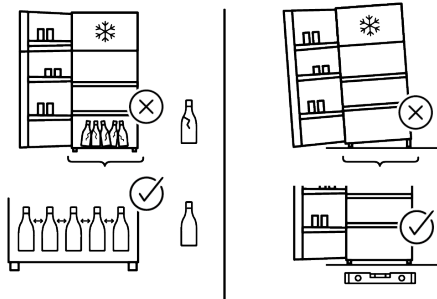
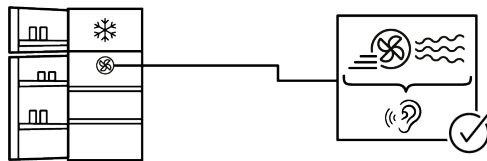
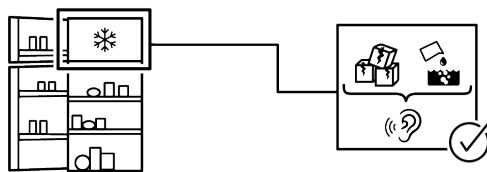
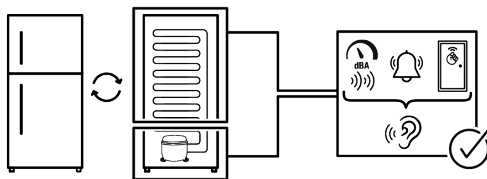
Temperature on the product surface.

- High temperature may be observed between two doors, on the side panels and on the rear grill area while your product is operated. This is normal and it does not require servicing.

Fan continues to operate when the door is opened.

- Fan may continue to operate when the freezer door is open.

If the problem persists after following the instructions in this section, contact your vendor or an Authorized Service. Do not try to repair the product. This is normal.



DISCLAIMER

Some (simple) failures can be adequately handled by the end-user without any safety issue or unsafe use arising, provided that they are carried out within the limits and in accordance with the following instructions (see the "Self-Repair" section).

Therefore, unless otherwise authorized in the "Self-Repair" section below, repairs shall be addressed to registered professional repairers in order to avoid safety issues. A registered Professional repairer is a professional repairer that has been granted access to the instructions and spare parts list of this product by the manufacturer according to the methods described in legislative acts pursuant to Directive 2009/125/EC.

However, only the service agent (i.e. authorized professional repairers) that you can reach through the phone number given in the user manual/warranty card or through your authorized dealer may provide service under the guarantee terms. Therefore, please be advised that repairs by professional repairers (who are not authorized by) Bauknecht shall void the guarantee.

Self-Repair

Self-repair can be done by the end-user with regard exclusively to the following spare parts: door handles, door hinges, trays, baskets and door gaskets (an updated list is also available <https://parts-selfservice.europeanappliances.com> as of 1st March 2021).

Moreover, to ensure product safety and to prevent risk of serious injury, the mentioned self-repair shall be done following the instructions in the user manual for selfrepair or which are available in <https://parts-selfservice.europeanappliances.com>. For your safety, unplug the product before attempting any self-repair.

Repair and repair attempts by end-users for parts not included in such list and/or not following the instructions in the user manu-

als for self-repair or which are available in <https://parts-selfservice.europeanappliances.com>, might give raise to safety issues not attributable to Bauknecht, and will void the warranty of the product.

Therefore, it is highly recommended that end-users refrain from the attempt to carry out repairs falling outside the mentioned list of spare parts, contacting in such cases authorized professional repairers or registered professional repairers. On the contrary, such attempts by end-users may cause safety issues and damage the product and subsequently cause fire, flood, electrocution and serious personal injury to occur.

By way of example, but not limited to, the following repairs must be addressed to authorized professional repairers or registered professional repairers: compressor, cooling circuit, main board, inverter board, display board, etc.

The manufacturer/seller cannot be held liable in any case where end-users do not comply with the above.

The spare part availability of the refrigerator that you purchased is 10 years. During this period, original spare parts will be available to operate the refrigerator properly. The minimum duration of guarantee of the refrigerator that you purchased is 24 months.

This product is equipped with a lighting source of the "G" energy class.

The lighting source in this product shall only be replaced by Professional repairer.

Bitte lesen Sie zunächst dieses Handbuch

Lieber Kunde,

Vielen Dank, dass Sie sich für dieses Produkt entschieden haben.

Wir möchten, dass Sie mit diesem hochwertigen Produkt, das mit modernster Technologie hergestellt wurde, die optimale Effizienz erzielen. Lesen Sie daher vor der Verwendung des Produkts diese Bedienungsanleitung und alle anderen mitgelieferten Unterlagen sorgfältig durch.

Beachten Sie alle Informationen und Warnungen im Bedienungsanleitung. Auf diese Weise schützen Sie sich und Ihr Produkt vor den Gefahren, die auftreten können. Bewahren Sie das Bedienungsanleitung auf. Fügen Sie diese Anleitung dem Produkt bei, wenn Sie sie an eine andere Person übergeben.





Die folgenden Symbole werden im Benutzerhandbuch und auf dem Produkt verwendet:



Lesen Sie die Bedienungsanleitung.



Gefahr, die zum Tod oder zu Verletzungen führen kann.

  SUPPLIER'S NAME _____ MODEL IDENTIFIER → (*)  	Die in der Produktdatenbank gespeicherten Modellinformationen können über die folgende Website und die Suche nach Ihrer Modellkennung (*) auf dem Energieetikett abgerufen werden. https://eprel.ec.europa.eu/
---	---




1	Sicherheitshinweise	38
1.1	Wichtige Sicherheitssymbole	38
1.2	Verwendungszweck	38
1.3	Sicherheit von Kindern, gefährdeten Personen und Haustieren	39
1.4	Elektrische Sicherheit	39
1.5	Handhabungssicherheit	41
1.6	Montagesicherheit	41
1.7	Betriebssicherheit	44
1.8	Sicherheit bei der Lagerung von Lebensmitteln	49
1.9	Wartungs- und Reinigungssicherheit	50
1.10	Beleuchtung	51
1.11	Entsorgung des alten Produkts	51
2	Umwelthinweise	51
2.1	Informationen zur Entsorgung:.....	51
3	Ihr Kühlschrank	53
4	Aufstellung	53
5	Vorbereitung	56
5.1	Was man zum Energiesparen tun kann	56
5.2	Erste Verwendung	57
5.3	Klimaklasse und Definitionen	57
6	Produktbedienung	57
7	Bedienfeld des Geräts	58
8	Verwendung des Geräts	60
8.1	Aufbewahrung von Lebensmitteln im Gefrier- und Kühlfach	60
8.2	Alarm bei offener Tür	62
8.3	Auswechseln der Beleuchtungslampe	63
9	Produktmerkmale	63
9.1	Der Eisspeicherraum	63
9.2	Eierhalter	66
9.3	Gemüsefach	66
9.4	Kühlraum für Molkereiprodukte....	66
10	Wartung und Reinigung	66
11	Fehlerbehebung	68


1 Sicherheitshinweise


- Dieser Abschnitt enthält die notwendigen Sicherheitshinweise, um die Gefahr von Personen- und Sachschäden zu vermeiden.
- Unser Unternehmen haftet nicht für Schäden, die bei Nichtbeachtung dieser Anweisungen entstehen können.
- Lassen Sie Montage- und Reparaturarbeiten immer vom Hersteller, einem autorisierten Kundendienst oder einer Person, die von der einführenden Firma beschrieben wird, durchführen.
- Verwenden Sie nur Originalersatzteile und Zubehör.
- Reparieren oder ersetzen Sie keine Komponenten des Produkts, wenn dies nicht eindeutig in der Bedienungsanleitung angegeben ist.
- Nehmen Sie keine Änderungen am Produkt vor.


1.1 Wichtige Sicherheitssymbole

 Gefahr eines Stromschlages!

 Lesen Sie die Bedienungsanleitung.

 Gefahr, die zu Verbrennungen durch Kontakt mit heißen Oberflächen führen kann.

 Brennbares Material, Warnung vor Brandgefahr.

 Verletzungsgefahr durch Kontakt mit scharfen Oberflächen!

 Gefahr von UV-C-Strahlung

1.2 Verwendungszweck

- Dieses Produkt ist nicht für den kommerziellen Gebrauch geeignet und sollte nicht für einen anderen als den vorgesehenen Zweck verwendet werden.
- Dieses Produkt ist für den Betrieb in Innenräumen, wie z.B. in Haushalten oder ähnlichem, vorgesehen.

Zum Beispiel;

In den Personalküchen von Geschäften, Büros und anderen Arbeitsumgebungen,

In Bauernhöfen,

In den Räumen von Hotels, Motels oder anderen Erholungseinrichtungen, die von Kunden genutzt werden,

In Herbergen oder ähnlichen Umgebungen,

In Catering-Diensten und ähnlichen Anwendungen außerhalb des Einzelhandels.

- Dieses Produkt darf nicht in offenen oder geschlossenen Außenbereichen wie Schiffen, Wohnmobile, Balkonen oder Terrassen verwendet werden. Wenn das Produkt Regen, Schnee, Sonnenlicht und Wind ausgesetzt wird, besteht Brandgefahr.
- Kinder und Haustiere müssen vom Kabinenbereich (Kompressor), in dem sich elektrische Teile befinden, ferngehalten werden.

1.3 Sicherheit von Kindern, gefährdeten Personen und Haustieren



- Dieses Produkt kann von Kindern ab 8 Jahren und Personen mit unterentwickelten körperlichen, sensorischen oder geistigen Fähigkeiten oder mangelnder Erfahrung und Kenntnis verwendet werden, wenn sie beaufsichtigt werden oder eine Einweisung in den sicheren Gebrauch des Geräts und die damit verbundenen Gefahren erhalten haben.
- Kinder zwischen 3 und 8 Jahren dürfen Lebensmittel in das Kühlerprodukt einlegen und aus ihr entnehmen.
- Kinder und Haustiere dürfen nicht mit dem Produkt spielen, darauf herumklettern oder in das Innere des Produkts gelangen.
- Reinigung und Benutzerwartung darf nicht von Kindern durchgeführt werden, es sei denn, sie werden von jemandem beaufsichtigt.
- Halten Sie Verpackungsmaterialien von Kindern fern! Es besteht Verletzungs- und Erstickungsgefahr.
- Wenn ein Schloss an der Tür des Geräts vorhanden ist, bewahren Sie den Schlüssel außerhalb der Reichweite von Kindern auf.



1.4 Elektrische Sicherheit

- Das Gerät darf während der Installation, Wartung, Reinigung, Reparatur und des Transports nicht an die Steckdose angeschlossen werden.
- Wenn das Netzkabel beschädigt ist, muss es von der vom Hersteller, einem autorisierten Dienstleister oder dem Importeur beauftragten Person ausgetauscht werden, um eine mögliche Gefahr zu vermeiden.
- Verlegen Sie das Netzkabel nicht unter dem Gerät oder an der Rückseite des Geräts. Stel-

len Sie keine schweren Gegenstände auf das Netzkabel. Das Netzkabel darf nicht geknickt oder gequetscht werden und nicht mit einer Wärmequelle in Berührung kommen.

- Verwenden Sie nur ein Originalkabel. Verwenden Sie keine abgeschnittenen oder beschädigten Kabel.
- Verwenden Sie keine Verlängerungskabel, Mehrfachsteckdosen oder Adapter, um Ihr Gerät zu betreiben.
- Tragbare Mehrfachsteckdosen oder tragbare Netzteile können sich überhitzen und einen Brand verursachen. Stellen Sie daher keine tragbaren Stromquellen mit Mehrfachsteckdosen hinter oder in der Nähe des Geräts auf.
- Bevor Sie das Gerät an das Stromnetz anschließen, nehmen Sie bitte während der Installation das Netzkabel aus der Kondensatorhalterung (sofern vorhanden) heraus.
- Der Benutzer sollte nicht in der Lage sein, nach erfolgter Installation die Elektroteile zu erreichen.
- Schließen Sie das Netzkabel des Geräts nicht an eine lose oder beschädigte Steckdose

an. Derartige Verbindungen können überhitzen und einen Brand verursachen.

- Der Stecker muss leicht zugänglich sein. Wenn dies nicht möglich ist, muss die Elektroinstallation über einen Mechanismus verfügen, der den gesetzlichen Vorschriften entspricht und alle Anschlüsse vom Netz trennt (Sicherung, Schalter, Hauptschalter usw.).
- Das Produkt darf nicht mit einem externen Schaltgerät wie z. B. einer Zeitschaltuhr oder einem ferngesteuerten System betrieben werden.
- Benutzen Sie das Produkt nicht, wenn Sie nackte Füße haben oder Ihr Körper nass ist.
- Berühren Sie den Stecker nicht mit nassen Händen!
- Fassen Sie beim Ausstecken des Geräts nicht das Netzkabel, sondern den Stecker an.
- Achten Sie darauf, dass der Stecker nicht nass, schmutzig oder staubig ist.
- Schließen Sie Ihr Gerät niemals an stromsparende Geräte an. Solche Systeme sind schädlich für das Gerät.

1.5 Handhabungssicherheit

- Ziehen Sie unbedingt den Netzstecker, bevor Sie das Gerät tragen.
- Dieses Produkt ist schwer, handhaben Sie es nicht selbst. Wenn das Gerät auf Sie fällt, können Sie sich verletzen. Stoßen Sie beim Transport nicht an und lassen Sie das Gerät nicht fallen.
- Schließen Sie immer die Türen und halten Sie das Gerät nicht an den Türen fest, wenn Sie es transportieren.
- Achten Sie beim Umgang mit dem Gerät darauf, dass das Kühlsystem und die Leitungen nicht beschädigt werden. Nehmen Sie das Gerät nicht in Betrieb, wenn die Leitungen beschädigt sind, und wenden Sie sich an einen autorisierten Kundendienst.

1.6 Montagesicherheit

- Um das Produkt für den Gebrauch vorzubereiten, lesen Sie bitte die Informationen im Benutzer- und Installationshandbuch und vergewissern Sie sich, dass die Strom- und Wasseranschlüsse wie gewünscht sind. Wenn dies nicht der Fall ist, wenden Sie sich an einen qualifizierten Elektriker und

einen Monteur, um die Versorgungsleitungen entsprechend zu installieren.

- **Andernfalls kann es zu einem elektrischen Schlag, Brand, Problemen mit dem Gerät oder Verletzungen kommen.**
- Bevor Sie mit der Installation beginnen, schalten Sie die Sicherung aus, um die Stromleitung, an die das Produkt angeschlossen ist, stromlos zu machen.
- Die Installation des Geräts sollte von zwei Personen durchgeführt werden. Bitte tragen Sie Schutzhandschutz, wenn Sie das Gerät entpacken und installieren.
- Dieses Produkt ist für die Verwendung in einer maximalen Höhe von 2000 Metern über dem Meeresspiegel ausgelegt.
- Halten Sie Kinder vom Installationsbereich fern.
- Überprüfen Sie das Gerät vor der Installation auf eventuelle Schäden. Lassen Sie das Gerät nicht installieren, wenn es beschädigt ist.
- Verwenden Sie bei der Installation, Wartung und Reparatur des Produkts stets persönliche Schutzausrüstung (Handschuhe usw.). Es besteht Verletzungsgefahr.

- Installieren Sie das Produkt nicht an Orten, an denen es externen Umgebungstemperaturen ausgesetzt sein könnte, und lassen Sie es nicht dort stehen.
- Stellen Sie das Gerät auf eine saubere, ebene und stabile Fläche und balancieren Sie es mit den verstellbaren Füßen aus (durch Drehen der vorderen Füße nach rechts oder links). Andernfalls kann der Kühlschrank umkippen und Verletzungen verursachen.
- Gehen Sie mit Vorsicht vor, um Schäden an den Fußböden (Fliesen usw.) zu vermeiden, wenn Sie Gerät bewegen. Installieren Sie das Gerät unbedingt auf einem Untergrund, der stabil genug für dessen Größe, Gewicht sowie seine Nutzung ist. Achten Sie darauf, dass das Gerät nicht nahe von Wärmequellen aufgestellt wird und ein stabiler Stand gegeben ist und alle vier Gerätefüße festen Kontakt mit dem Boden haben. Installieren Sie das Gerät vorschriftsgemäß und kontrollieren Sie dessen waagerechten Stand mit einer Wasserwaage. Für das einwandfreie Funktionieren des Kühlmittelkreislaufs warten Sie bitte mindestens zwei Stunden, bevor Sie das Gerät in Betrieb nehmen.
- Das Gerät muss in einer trockenen und belüfteten Umgebung aufgestellt werden. Legen Sie keine Teppiche, Vorleger oder ähnliche Beläge unter das Gerät. Dies kann zu Brandgefahr durch unzureichende Belüftung führen!
- Die Lüftungsöffnungen dürfen nicht blockiert oder abgedeckt werden. Andernfalls erhöht sich der Stromverbrauch und Ihr Produkt kann beschädigt werden.
- Achten Sie auf ausreichenden Abstand auf beiden Seiten und zur Raumdecke für eine angemessene Belüftung. Der Abstand zwischen der Geräterückwand und der Wand hinter dem Gerät muss mindestens 50 mm betragen, um eine Überhitzung der Oberflächen zu verhindern. Eine Verkleinerung dieses Abstands kann zu einem erhöhten Energieverbrauch des Geräts führen.
- Achten Sie beim Platzieren des Produkts darauf, dass das Netzkabel nicht beschädigt oder eingeklemmt wird.

- Das Produkt darf nicht an Versorgungssysteme und Stromquellen angeschlossen werden, die plötzliche Spannungsschwankungen verursachen können (z. B. eine tragbare Solarstromquelle). Andernfalls kann es durch die abrupten Spannungsschwankungen zu Schäden an Ihrem Produkt kommen!
- Je mehr Kältemittel ein Kühlschrank enthält, desto größer sollte sein Aufstellraum sein. In sehr kleinen Räumen kann bei einem Gasaustritt im Kühlsystem ein brennbares Gas-Luft-Gemisch entstehen. Pro 8 Gramm Kältemittel wird mindestens 1 m³ Rauminhalt benötigt. Die Menge des in Ihrem Produkt verfügbaren Kältemittels ist auf dem Typenschild angegeben.
- Das Gerät darf nicht so aufgestellt werden, dass Stromkabel, der Metallschlauch des Gasherds, Gas- oder Wasserleitungen aus Metall mit der Rückwand des Geräts (oder dem Verflüssiger) in Berührung kommen.
- Der Aufstellungsort des Produkts darf nicht der direkten Sonneneinstrahlung ausgesetzt sein und sich nicht in der Nähe von Wärmequellen wie Öfen, Heizkörpern usw. befinden. Wenn Sie die Aufstellung des Produkts in der Nähe einer Wärmequelle nicht vermeiden können, verwenden Sie eine geeignete Isolierplatte und stellen Sie sicher, dass der Mindestabstand zur Wärmequelle wie unten angegeben ist:
 - Mindestens 30 cm Abstand zu Wärmequellen wie Herden, Öfen, Heizgeräten und Heizkörpern usw.,
 - Und mindestens 5 cm Abstand zu Elektroöfen.
- Ihr Produkt hat die Schutzklasse I.
- Schließen Sie das Gerät an eine geerdete Steckdose an, die mit den auf dem Typenschild angegebenen Werten für Spannung, Stromstärke und Frequenz übereinstimmt. Die Steckdose muss mit einer 10A - 16A Sicherung ausgestattet sein. Unser Unternehmen übernimmt keine Haftung für alle Schäden aufgrund einer Nutzung ohne Erdung oder ohne eines Stromanschlusses, der nicht den örtlichen und nationalen Vorschriften genügt.

- Während der Aufstellung muss der Gerätenetzstecker gezogen sein. Andernfalls besteht die Gefahr eines Stromschlags und von Verletzungen!
- Schließen Sie das Gerät nicht an lockere, beschädigte, schmutzige, fettige oder aus der Verankerung geratene Steckdosen oder an Steckdosen an, die mit Wasser in Berührung kommen können. Derartige Verbindungen können überhitzen und einen Brand verursachen.
- Verlegen Sie das Netzkabel und die Schläuche (falls vorhanden) des Geräts so, dass sie keine Stolpergefahr darstellen.
- Das Eindringen von Feuchtigkeit und Flüssigkeit in stromführende Teile oder in das Netzkabel kann einen Kurzschluss verursachen. Verwenden Sie das Gerät daher nicht in feuchten Umgebungen oder in Bereichen, in denen Wasser spritzen kann (z.B. Garage, Waschküche usw.). Wenn der Kühlschrank nass geworden ist, ziehen Sie den Stecker und wenden Sie sich an einen autorisierten Kundendienst.
- Schließen Sie Ihren Kühlschrank niemals an Energiespargeräte an. Solche Systeme sind schädlich für das Gerät.
- Beim Entfernen der Abdeckung der Elektronikplatine und der hinteren Abdeckung des Kompressors (falls vorhanden) besteht die Gefahr des Kontakts mit elektrischen Teilen. Entfernen Sie nicht die Abdeckung der Elektronikplatine und die hintere Abdeckung des Kompressors (falls vorhanden). Es besteht die Gefahr eines Stromschlags!



1.7 Betriebssicherheit

- Verwenden Sie niemals chemische Lösungsmittel für das Gerät. Diese Stoffe bergen ein Explosionsrisiko.
- Im Falle einer Störung des Geräts ziehen Sie den Stecker aus der Steckdose (oder schalten Sie die Sicherung aus, an die es angeschlossen ist) und nehmen Sie es nicht in Betrieb, bis es vom autorisierten Kundendienst repariert wurde. Es besteht die Gefahr eines Stromschlags.
- Stellen Sie keine Flammen (brennende Kerze, Zigarette usw.) oder Wärmequellen (Bügeleisen, Herd, Ofen usw.) auf

oder in die Nähe des Geräts. Stellen Sie keine brennbaren/ explosiven Materialien in der Nähe des Geräts ab...

- Steigen Sie nicht auf das Gerät. Sturz- und Verletzungsgefahr!
- Beschädigen Sie die Leitungen des Kühlsystems nicht mit scharfen und stechenden Werkzeugen. Das Kältemittel, das beim Durchstechen der Gasrohre, der Rohrverlängerungen oder der oberen Oberflächenbeschichtungen austritt, kann zu Hautreizungen und Verletzungen der Augen führen.
- Nicht in den Kühlmittelkreislauf eingreifen oder diesen beschädigen Explosionsgefahr.
- Stellen Sie keine elektrischen Geräte im Inneren des Kühl-/ Gefrierschranks auf und betreiben Sie sie nicht, es sei denn, dies wird vom Hersteller empfohlen.
- Wenden Sie keine anderen als die vom Hersteller empfohlenen Verfahren an, um das Abtauen zu beschleunigen.
- Achten Sie darauf, dass Sie Ihre Hände oder Ihren Körper nicht mit den beweglichen Teilen im Inneren des Geräts in Berührung bringen. Achten Sie darauf, dass Ihre Finger nicht zwischen Kühlschrank und Tür eingeklemmt werden. Seien Sie vorsichtig beim Öffnen und Schließen der Tür, wenn Kinder in der Nähe sind.
- Nehmen Sie Eis, Eiswürfel oder gefrorene Lebensmittel nicht sofort in den Mund, wenn Sie sie aus dem Gefrierschrank nehmen. Frostbeulenrisiko!
- Berühren Sie die Innenwände, die Metallteile des Gefrierschranks oder die im Gefrierschrank aufbewahrten Lebensmittel nicht mit nassen Händen. Frostbeulenrisiko!
- Stellen Sie keine Getränkedosen oder Dosen und Flaschen, die Flüssigkeiten enthalten, die gefrieren können, in das Gefrierfach. Dosen oder Flaschen können explodieren. Verletzungsgefahr und Gefahr von Sachschäden!
- Verwenden oder lagern Sie keine temperaturempfindlichen Materialien wie brennbare Sprays, brennbare Gegenstände, Trockeneis oder andere chemische Stoffe in der Nähe des Kühlschranks. Brand- und Explosionsgefahr!
- Bewahren Sie keine explosiven Materialien wie Spraydosen mit brennbaren Stoffen im Inneren des Geräts auf.

- Stellen Sie Dosen, die Flüssigkeiten enthalten, nicht im offenen Zustand auf das Produkt. Wenn Wasser auf ein elektrisches Teil spritzt, besteht die Gefahr eines elektrischen Schlags oder eines Brands.
- Bewahren Sie keine Glasbehälter mit Flüssigkeit im Gefrierfach auf, da sie zerbrechen können.
- Dieses Produkt ist nicht für die Lagerung und Kühlung von Arzneimitteln, Blutplasma, Laborpräparaten oder ähnlichen Materialien und Produkten vorgesehen, die unter die Medizinprodukte-Richtlinie fallen.
- Wenn das Produkt nicht bestimmungsgemäß verwendet wird, kann es zu einer Beschädigung oder Beeinträchtigung der darin gelagerten Produkte kommen.
- Wenn Ihr Kühlschrank mit blauem Licht ausgestattet ist, dürfen Sie nicht mit optischen Geräten in dieses Licht blicken. Schauen Sie nicht über einen längeren Zeitraum direkt in das UV-LED-Licht. Ultraviolette Strahlen können die Augen überanstrengen.
- Befüllen Sie das Produkt nicht mit mehr Inhalt als es aufnehmen kann. Wenden Sie keine anderen als die vom Hersteller empfohlenen Verfahren an, um das Abtauen zu beschleunigen. Es kann zu Verletzungen oder Schäden kommen, wenn der Inhalt des Kühlschranks beim Öffnen der Tür herunterfällt. Ähnliche Probleme können auch auftreten, wenn ein Gegenstand auf das Gerät gestellt wird.
- Vergewissern Sie sich, dass Sie jegliches Eis oder Wasser, das auf den Boden gefallen sein könnte, entfernt haben, um Verletzungen zu vermeiden.
- Ändern Sie die Position der Ablagen/Flaschenablagen an der Tür Ihres Kühlschranks nur, wenn die Ablagen leer sind. Es besteht Verletzungsgefahr!
- Stellen Sie keine Gegenstände auf das Produkt, die herunterfallen/umkippen können. Diese Gegenstände können beim Öffnen oder Schließen der Tür herunterfallen und Verletzungen und/oder Sachschäden verursachen.
- Schlagen Sie nicht auf Glasflächen und üben Sie keinen übermäßigen Druck darauf aus. Zerbrochenes Glas kann zu Verletzungen und/oder Sachschäden führen.

- Bei Geräten, deren Design den Einsatz eines Luftfilters vorsieht, der sich innerhalb einer zugänglichen Gebläseabdeckung befindet, muss stets ein Filter eingesetzt sein, wenn das Gerät in Betrieb ist.
 - Das Gebläse (soweit zutreffend) darf nicht mit Kühlgut verstellt werden.
 - Beschädigte Dichtungsringe müssen so schnell wie möglich ausgetauscht werden.
 - Ihr Gerät verfügt gegebenenfalls für Spezialfächer (Fach für frische Lebensmittel, Null-Grad-Fach usw.). Sofern in der betreffenden Bedienungsanleitung für das Gerät nicht anders angegeben können diese Fächer entfernt werden, ohne dass dies die allgemeine Funktion des Geräts beeinträchtigt.
 - Das Kühlsystem in Ihrem Produkt enthält das Kältemittel R600a. Der im Produkt verwendete Kältemitteltyp ist auf dem Typenschild angegeben. Das Gas ist entflammbar. Achten Sie deshalb beim Betrieb des Produkts darauf, dass das Kühlsystem und die Leitungen nicht beschädigt werden. Im Falle einer Beschädigung der Rohre;
1. Berühren Sie nicht das Produkt oder das Netzkabel.
 2. Halten Sie das Gerät von potenziellen Feuerquellen fern, die das Gerät in Brand setzen könnten.
 3. Belüften Sie den Bereich, in dem das Gerät aufgestellt ist. Verwenden Sie keinen Ventilator.
 4. Wenden Sie sich an den autorisierten Kundendienst.
Bevor Sie alte Produkte entsorgen, die nicht mehr verwendet werden sollen:
 1. Ziehen Sie den Stecker des Netzkabels aus der Steckdose.
 2. Schneiden Sie das Netzkabel ab und ziehen Sie es zusammen mit dem Stecker aus dem Gerät.
 3. Nehmen Sie die Ablagen und Schubladen nicht aus dem Gerät, um zu verhindern, dass Kinder in das Innere des Geräts gelangen können.
 4. Entfernen Sie die Türen.
 5. Bewahren Sie das Gerät so auf, dass es nicht umgestoßen werden kann.
 6. Erlauben Sie Kindern nicht, mit dem ausrangierten Produkt zu spielen.
 7. Wenn das Gerät beschädigt ist und Sie ein Gasleck feststellen, halten Sie sich bitte

vom Gas fern. Gas kann Erfrierungen verursachen, wenn es mit Ihrer Haut in Kontakt kommt.

- Entsorgen Sie das Gerät nicht, indem Sie es ins Feuer werfen. Es besteht Explosionsgefahr.
- Wenn ein Schloss an der Tür des Geräts vorhanden ist, bewahren Sie den Schlüssel außerhalb der Reichweite von Kindern auf.

Für Produkte mit Wasserspender/Eiswürfelbereiter

- Verwenden Sie nur Trinkwasser. Füllen Sie in den Wassertank niemals mit Fruchtsaft, Milch, Sprudelgetränken, Spirituosen oder anderen, nicht für die Verwendung in einem Wasserspender geeigneten Flüssigkeiten. Dies kann Ihre Gesundheit und Sicherheit gefährden.
- Erlauben Sie Kindern nicht, mit dem Wasserspender oder dem Eiswürfelbereiter zu spielen, um Unfälle und Verletzungen zu vermeiden.
- Stecken Sie Ihre Hände, Finger oder andere Gegenstände nicht in die Öffnung des Wasserspenders, den Eiskanal oder in den Behälter der Eismaschine. Dies kann zu Verletzungen oder Sachschäden führen.

- Verwenden Sie die mit dem Produkt gelieferten Schlauchsets. Verwenden Sie keine alten Schlauchsets. Verlängern Sie die Schläuche nicht!
- Schließen Sie Ihr Produkt immer an den Kaltwasserzulauf an. Führen Sie die Installation nicht am Warmwasserzulauf durch. Der Druck für den Kaltwasserzulauf darf maximal 90 PSI (620 kPa – 6.2 bar) betragen. Wenn Ihr Wasserdruck 80Psi (550 kPa – 5.5 bar) übersteigt oder einen Wassereinfluss hat, verwenden Sie ein Druckbegrenzungsventil in Ihrem Leitungsnetz. Bitten Sie einen professionellen Installateur um Hilfe, wenn Sie nicht wissen, wie Sie Ihren Wasserdruck regeln können.
- Hoher Druck kann zu Schäden an den Schlauchverbindungen führen und die Gefahr von Überschwemmungen mit sich bringen.
- Treffen Sie die erforderlichen Vorkehrungen gegen die Gefahr des Einfrierens von Schläuchen. Die Betriebstemperatur des Wassers muss mindestens 0,6°C (33°F) und höchstens 38°C (100°F) betra-

gen. Bei rissigen/perforierten Schläuchen besteht die Gefahr einer Überschwemmung.



1.8 Sicherheit bei der Lagerung von Lebensmitteln

Bitte beachten Sie die folgenden Warnhinweise, um den Verderb von Lebensmitteln zu vermeiden:

- Wenn Sie die Türen längere Zeit offen stehen lassen, kann die Temperatur im Inneren des Geräts ansteigen.
- Reinigen Sie regelmäßig die zugänglichen Abflusssysteme, die mit den Lebensmitteln in Berührung kommen.
- Reinigen Sie Wassertanks, die 48 Stunden lang nicht benutzt wurden, und Wasserversorgungssysteme, die mehr als 5 Tage lang nicht benutzt wurden.
- Lagern Sie rohe Fleisch- und Fischprodukte in geeigneten Fächern innerhalb des Produkts. So tropft es nicht auf andere Lebensmittel und kommt nicht mit ihnen in Berührung.
- Zwei-Sterne-Gefrierfächer werden für die Lagerung von vorgefüllten Lebensmitteln, die Herstellung und Lagerung von Eis und Speiseeis verwendet.
- Ein-, Zwei- und Drei-Sterne-Fächer sind nicht zum Einfrieren frischer Lebensmittel geeignet.
- Wenn das Gefrierschrank längere Zeit nicht benutzt wurde, schalten Sie es aus, tauen Sie es ab, reinigen und trocknen Sie es, um das Gehäuse des Geräts zu schützen.
- Kontrollieren Sie, nachdem die Lebensmittel eingeräumt worden sind, ob alle Fächerklappen und insbesondere die Gefrierfachtür ordnungsgemäß geschlossen worden sind.
- Nutzen Sie das Kühlschranksfach für die Lagerung von frischen Lebensmitteln und das Gefrierfach für die Lagerung von Gefriergut, zum Einfrieren von Lebensmitteln sowie für die Herstellung von Eiswürfeln.
- Lebensmittel sollten stets in geschlossenen Verpackungen oder Gefäßen im Kühlschrank bzw. in den Gefrierfächern aufbewahrt werden, um jeden direkten Kontakt mit den Oberflächen im Geräteinnern zu verhindern.



1.9 Wartungs- und Reinigungssicherheit

- Ziehen Sie den Netzstecker oder schalten Sie die Sicherung aus, bevor Sie das Gerät reinigen oder Wartungsarbeiten durchführen.
- Ziehen Sie nicht an der Tür oder am Türgriff, wenn Sie das Gerät zu Reinigungszwecken bewegen wollen. Die Tür kann Verletzungen verursachen, wenn Sie zu fest am Griff ziehen.
- Stellen Sie keine Hände, Füße oder Metallgegenstände unter oder hinter Ihr Gerät. Es kann zu einem Einklemmen kommen oder scharfe Kanten können Verletzungen verursachen.
- Waschen Sie das Produkt weder innen noch außen mit einem Hochdruckreiniger, Dampf, Spritzwasser oder Gießwasser. Es besteht Stromschlag- und Brandgefahr.
- Verwenden Sie zum Reinigen des Produkts keine scharfen und scheuernden Werkzeuge oder Haushaltsreiniger, Waschmittel, Gas, Benzin, Verdüner, Alkohol, Lacke und ähnliche Substanzen. Verwenden Sie nur Reinigungs- und Pflegemittel, die für die Lebensmittel im Inneren des Geräts unschädlich sind.
- Verwenden Sie kein Küchenpapier, keine Reinigungsschwämme oder sonstige harte Reinigungsmaterialien.
- Verwenden Sie zur Reinigung des Geräts und zum Auftauen des Eises im Inneren niemals Dampf oder dampfhaltige Reinigungsmittel. Dampf kommt mit den stromführenden Teilen Ihres Kühlschranks in Berührung und kann einen Kurzschluss oder Stromschlag verursachen.
- Verwenden Sie keine mechanischen Werkzeuge oder andere Werkzeuge als die Empfehlungen des Herstellers, um den Auftauvorgang zu beschleunigen.
- Achten Sie darauf, dass Wasser nicht in die Nähe der Lüftungsöffnungen, der elektronischen Schaltkreise oder der Beleuchtung des Geräts gelangt. Andernfalls besteht die Gefahr eines Brands oder Stromschlags.
- Verwenden Sie ein sauberes, trockenes Tuch, um Staub oder Fremdkörper an den Stecker- spitzen abzuwischen. Verwenden Sie kein nasses oder

feuchtes Tuch, um den Stecker zu reinigen. Andernfalls besteht die Gefahr eines Brands oder Stromschlags.

1.10 Beleuchtung

Wenden Sie sich an einen autorisierten Kundendienst, wenn Sie die LED / Glühbirne für die Beleuchtung ersetzen müssen.

1.11 Entsorgung des alten Produkts

Befolgen Sie bei der Entsorgung Ihres alten Produkts die nachstehenden Anweisungen:

- Um zu verhindern, dass sich Kinder versehentlich im Gerät einschließen, deaktivieren Sie die Türverriegelung, falls sie vorhanden ist.

- Spritzer von Kühlmittel sind schädlich für die Augen. Beschädigen Sie beim Entsorgen des Geräts keine Teile des Kühlsystems.
- Es kann tödlich sein, wenn das Kompressoröl verschluckt wird oder in die Atemwege eindringt.
- Das Kühlsystem Ihres Produkts enthält R600a-Gas, wie auf dem Typenschild angegeben. Das Gas ist entflammbar. Entsorgen Sie das Gerät nicht, indem Sie es ins Feuer werfen. Es besteht Explosionsgefahr!
- C-Pentan wird als Treibmittel in Isolierschaum verwendet und ist ein brennbarer Stoff. Entsorgen Sie das Gerät nicht, indem Sie es ins Feuer werfen.

2 Umwelthinweise

2.1 Informationen zur Entsorgung:



Ihre Pflichten als Endnutzer

Dieses Elektro- bzw. Elektronikgerät ist mit einer durchgestrichenen Abfalltonne auf Rädern gekennzeichnet. Das Gerät darf deshalb nur getrennt vom unsortierten Siedlungsabfall gesammelt und zurückgenommen werden. Es darf somit nicht in den Hausmüll gegeben werden.

Das Gerät kann z.B. bei einer kommunalen Sammelstelle oder ggf. bei einem Vertreiber (siehe unten zu deren Rücknahmepflichten in Deutschland) abgegeben werden.

Das gilt auch für alle Bauteile, Unterbaugruppen und Verbrauchsmaterialien des zu entsorgenden Altgeräts.

Bevor das Altgerät entsorgt werden darf, müssen alle Altbatterien und Altakkumulatoren vom Altgerät getrennt werden, die nicht vom Altgerät umschlossen sind. Das gleiche gilt für Lampen, die zerstörungsfrei aus dem Altgerät entnommen werden können. Der Endnutzer ist zudem selbst dafür verantwortlich, personenbezogene Daten auf dem Altgerät zu löschen.



Hinweise zum Recycling

Helfen Sie mit, alle Materialien zu recyceln, die mit diesem Symbol gekennzeichnet sind. Entsorgen Sie solche Materialien, insbesondere Verpackungen, nicht im Hausmüll, sondern über die bereitgestellten Recyclingbehälter oder die entsprechenden örtlichen Sammelsysteme. Recyceln Sie zum Umwelt- und Gesundheitsschutz elektrische und elektronische Geräte.

Rücknahmepflichten der Vertrieber

Wer auf mindestens 400 m² Verkaufsfläche Elektro- und Elektronikgeräte vertreibt oder diese gewerblich an Endnutzer abgibt, ist verpflichtet, bei Abgabe eines neuen Gerätes, ein Altgerät des Endnutzers der gleichen Geräteart, das im Wesentlichen die gleichen Funktionen wie das neue Gerät erfüllt, am Ort der Abgabe oder in unmittelbarer Nähe, unentgeltlich zurückzunehmen. Das gilt auch für Vertrieber von Lebensmitteln mit einer Gesamtverkaufsfläche von mindestens 800 m², die mehrmals im Kalenderjahr oder dauerhaft Elektro- und Elektronikgeräte anbieten und auf dem Markt bereitstellen. Solche Vertrieber müssen zudem auf Verlangen des Endnutzers Altgeräte, die in keiner äußeren Abmessung größer als 25 cm sind, (kleine Elektrogeräte) im Einzelhandelsgeschäft oder in unmittelbarer Nähe hierzu unentgeltlich zurückzunehmen; die Rücknahme darf in diesem Fall nicht an den Kauf eines Elektro- oder Elektronikgerätes verknüpft, kann aber auf drei Altgeräte pro Geräteart beschränkt werden. Ort der Abgabe ist auch der private Haushalt, wenn das neue Elektro- oder Elektronikgerät dorthin geliefert wird; in diesem Fall ist die Abholung des Altgerätes für den Endnutzer kostenlos.

Die vorstehenden Pflichten gelten auch für den Vertrieb unter Verwendung von Fernkommunikationsmitteln, wenn die Vertrieber Lager- und Versandflächen für Elektro- und Elektronikgeräte bzw. Gesamtlager und Versandflächen für Lebensmittel beinhalten, die den oben genannten Verkaufsflächen entsprechen. Die unentgeltliche Abholung von Elektro- und Elektronikgeräten ist dann aber auf Wärmeüberträger (z.B. Kühlschrank), Bildschirme, Monitore und Geräte, die Bildschirme mit einer Oberfläche von mehr als 100 cm² enthalten und Geräte beschränkt, bei denen mindestens eine der äußeren Abmessungen mehr als 50 cm beträgt. Für alle übrigen Elektro- und Elektronikgeräte muss der Vertrieber geeignete Rückgabemöglichkeiten in zumutbarer Entfernung zum jeweiligen Endnutzer gewährleisten; das gilt auch für kleine Elektrogeräte (s.o.), die der Endnutzer zurückgeben möchte, ohne ein neues Gerät zu erwerben.

Einhaltung der RoHS-Richtlinie:

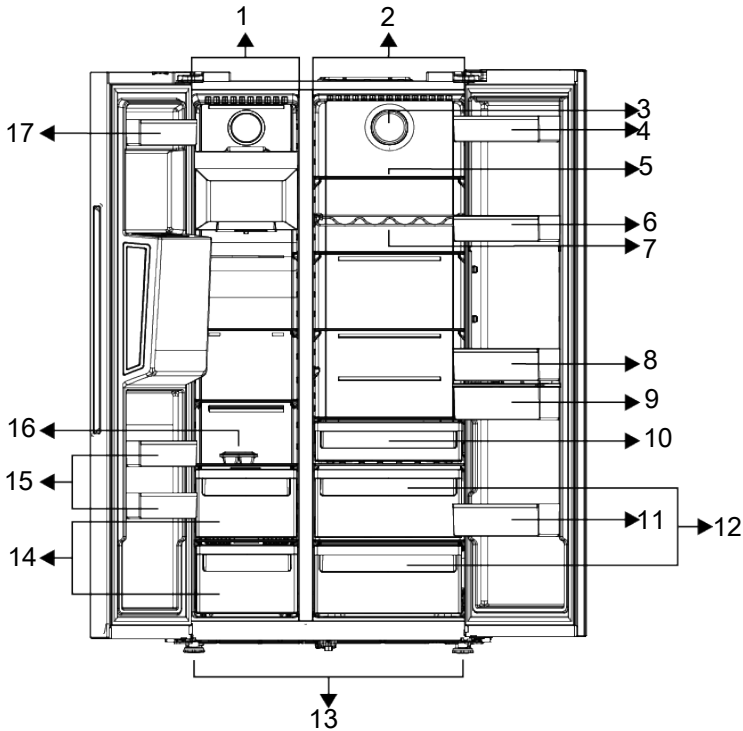
Das von Ihnen gekaufte Gerät entspricht der RoHS-Richtlinie der EU (2011/65/EU). Es enthält keinerlei Materialien, die gemäß der Richtlinie als schädlich oder verboten gelten.

CE Konformität mit Normen und Prüfgrundlagen / EG-Konformitätserklärung

Entwicklung, Herstellung und Vertrieb dieses Produkts entsprechen den Sicherheitsvorschriften aller einschlägigen Richtlinien der Europäischen Gemeinschaft. 2014/35/EU, 2014/30/EU, 93/68/EG, IEC 60436/DIN 44990, EN 50242

3 Ihr Kühlschrank

DE



- | | |
|------------------------------------|---------------------------------------|
| 1 Gefrierfach | 2 Kühlfach |
| 3 Lüfter | 4 *Türschübe im Kühlfach |
| 5 *Glaszwischenboden für Kühlfachs | 6 Eierhalter |
| 7 *Flaschenablage | 8 *Flaschenablage |
| 9 *Wassertank | 10 *Külschublade für Molkereiprodukte |
| 11 *Türschübe im Kühlfach | 12 *Gemüsefächer |
| 13 Verstellbare Füße | 14 *Tiefkühlfächer |
| 15 *Türschübe im Gefrierfach | 16 *Esibox / Eismaschine |
| 17 *Türschübe im Gefrierfach | |

***Optional:** Die Abbildungen in dieser Bedienungsanleitung sind schematisch und stimmen möglicherweise nicht genau mit Ihrem

Produkt überein. Wenn Ihr Produkt nicht die relevanten Teile enthält, beziehen sich die Informationen auf andere Modelle.

4 Aufstellung

Richtiger Ort für die Installation

Lesen Sie zuerst die „Sicherheitshinweise“.

Wenden Sie sich für die Montage des Geräts an den autorisierten Kundendienst. Um das Gerät für die Installation vorzubereiten, lesen Sie die Informationen in der Bedie-

nungsanleitung und stellen Sie sicher, dass die Strom- und Wasserleitungen den Anforderungen entsprechen. Wenn dies nicht der Fall ist, wenden Sie sich an einen Elektriker und einen Monteur, um die Versorgungsleitungen entsprechend zu installieren.

- Ein beschädigtes Kabel darf nur vom autorisierten Kundendienst ausgetauscht werden.
- Wenn Sie zwei Kühlschränke nebeneinander aufstellen, müssen Sie einen Mindestabstand von wenigstens 4 cm zwischen beiden Geräten einhalten.
- Das Gerät ist vor direkter Sonneneinstrahlung und Hitze geschützt an einem trockenen Ort aufzustellen.
- Ihr Produkt benötigt eine ausreichende Luftzirkulation, um effizient zu funktionieren. Wenn Sie das Gerät in eine Nische stellen, denken Sie daran, mindestens 5 cm Abstand zwischen dem Produkt und der Decke, der Rückwand und den Seitenwänden zu lassen. Prüfen Sie, ob die Rückwand-Abstandsschutzkomponente an ihrem Standort vorhanden ist (falls mit dem Produkt geliefert). Wenn die Komponente nicht verfügbar ist oder verloren geht oder heruntergefallen ist, positionieren Sie das Produkt so, dass zwischen der Rückseite des Produkts und der Wand des Raums mindestens 5 cm Abstand verbleiben. Der Freiraum an der Rückseite ist wichtig für den effizienten Betrieb des Produkts.
- Sollte die Eingangsöffnung am Aufstellungsort zu schmal für das Gerät sein, bauen Sie die Gerätetür ab und drehen Sie das Gerät auf die Seite. Wenden Sie sich an den zuständigen Kundendienst, wenn sich das Problem so nicht lösen lässt.
- Stellen Sie das Gerät auf eine ebene Fläche, um Vibrationen zu vermeiden.
- Stellen Sie das Produkt mindestens 30 cm von Heizung, Herd und ähnlichen Wärmequellen und mindestens 5 cm von Elektroöfen entfernt auf.

- Setzen Sie das Produkt keinem direkten Sonnenlicht aus und bewahren Sie es nicht in feuchten Umgebungen auf.
- Öffnen Sie vor dem Transport oder der Verwendung niemals die Abdeckung der Steuerplatine des Geräts. Es besteht Stromschlag- und Brandgefahr.
- Unser Unternehmen übernimmt keine Haftung für alle Schäden aufgrund einer Nutzung ohne Erdung oder eines Stromanschlusses, der nicht den örtlichen Vorschriften genügt.
- Das Netzkabel muss nach der Aufstellung gut zugänglich sein.

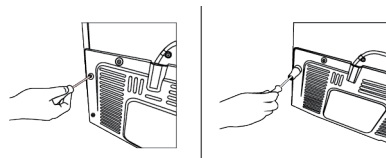
Warnung vor heißer Oberfläche!

Die Seitenwände Ihres Produkts sind mit Kühlerrohren ausgestattet, um das Kühlsystem zu verbessern. Hochdruckflüssigkeit kann durch diese Oberflächen fließen und heiße Oberflächen an den Seitenwänden verursachen. Dies ist normal und erfordert keine Wartung. Seien Sie vorsichtig, wenn Sie diese Bereiche kontaktieren.

Anbringen der Kunststoffkeile

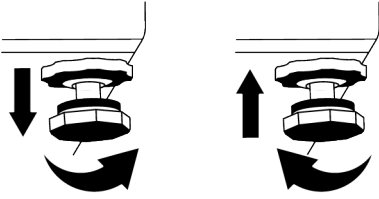
Verwenden Sie die mit dem Gerät gelieferten Kunststoffkeile, um ausreichend Platz für die Luftzirkulation zwischen dem Gerät und der Wand zu schaffen.

- Entfernen Sie die Schrauben an den jeweiligen Gerätestellen und montieren die mit den Kunststoffkeilen gelieferten Schrauben.
- Befestigen Sie 2 Kunststoffkeile an der Lüftungsabdeckung, so wie in der Abbildung dargestellt.

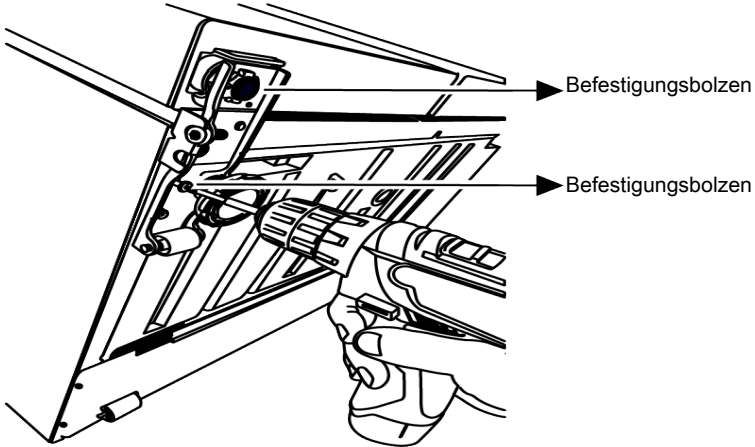


Einstellen der Füße

Wenn das Gerät nicht in einer ausbalancierten Position befinden sollte, richten Sie es entsprechend auf, indem Sie die Stellfüße entweder rechts- oder links herum drehen.

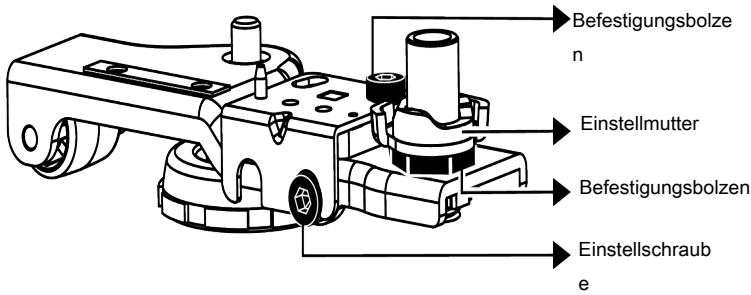


So stellen Sie die Türen vertikal ein,
Lösen Sie die Befestigungsmutter an der Unterseite. Einstellmutter (CW/CCW) entsprechend der Position der Tür einschrauben. Ziehen Sie die zur Befestigung dienende Mutternschraube für die Endposition an.

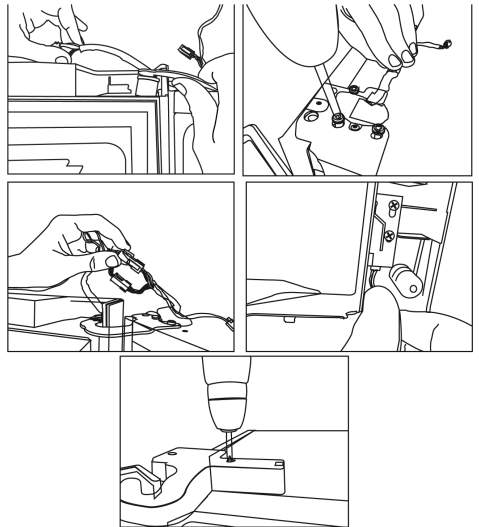


Zum horizontalen Einstellen der Türen,
Lösen Sie die Befestigungsschraube an der Unterseite. Lösen Sie die Befestigungsmutter an der Oberseite. Die Einstellschraube

(CW/CCW) ist entsprechend der Position der Tür einzuschrauben. Ziehen Sie die Befestigungsmutter an der Oberseite für die Endposition an. Ziehen Sie die Befestigungsschraube an der Unterseite an.



Befestigen Sie die obere Scharnierbaugruppe mit 3 Schrauben.
 Bringen Sie die Scharnierabdeckung an, nachdem die Halterungen eingebaut wurden.
 Befestigen Sie die Scharnierabdeckung mit zwei Schrauben.



5 Vorbereitung

Lesen Sie zuerst die „Sicherheitshinweise“.

5.1 Was man zum Energiesparen tun kann

- Dieses Kühlgerät ist nicht für die Verwendung als Einbaugerät vorgesehen
- Wenn Lebensmittel in das Gerät gelegt werden, muss auf ausreichend Abstand im Geräteinnenraum geachtet werden, um die für die Kühlung erforderliche Luftzirkulation nicht zu behindern.
- Da heiße und feuchte Luft nicht direkt in Ihr Produkt eindringt, wenn die Türen nicht geöffnet werden, optimiert sich Ihr Produkt unter Bedingungen, die zum

Schutz Ihrer Lebensmittel ausreichen.

Unter diesen Umständen arbeiten Funktionen und Komponenten wie Kompressor, Lüfter, Heizung, Abtaugung, Beleuchtung, Display usw. bedarfsgerecht und mit minimalem Energieverbrauch.

- Falls mehrere Optionen vorhanden sind, müssen Glasböden so platziert werden, dass die Luftauslässe an der Rückwand nicht blockiert werden und vorzugsweise so, dass die Luftauslässe unterhalb des Glasbodens bleiben. Diese Kombination kann dazu beitragen, die Luftverteilung und die Energieeffizienz zu verbessern.

- Durch das Lagern von Lebensmitteln im Kühl- oder im Kaltlagerfach entsprechend dem jeweiligen Lagerbedarf sparen Sie Energie.

5.2 Erste Verwendung

Bevor Sie das Gerät das erste Mal verwenden, achten Sie darauf, alle Vorbereitungen gemäß dieser Bedienungsanleitung, insbesondere wie in den Abschnitten „Wichtige Hinweise zur Sicherheit“ und „Aufstellung“ beschrieben, durchzuführen.

- Für eine einwandfreie Funktion des Kühlmittelkreislaufs warten Sie bitte mindestens zwei Stunden, bevor Sie das Gerät in Betrieb nehmen.
- Lassen Sie das leere Gerät mindesten 6 Stunden lang laufen. In dieser Zeit sollte die Gerätetür, nur geöffnet werden, wann die absolut notwendig ist.
- Die Temperaturänderung, die durch das Öffnen und Schließen der Tür während der Verwendung des Produkts verursacht wird, kann normalerweise zu Kondenswasserbildung führen, die auf Tür-/Korpusregalen und Glaswaren in das Produkt gestellt werden.
- Wenn der Kompressor sich einschaltet, ist ein Geräusch zu hören. Es ist normal, dass das Produkt Geräusche macht, auch wenn der Kompressor nicht läuft, da im Kühlsystem Flüssigkeit und Gas komprimiert werden können.

6 Produktbedienung

Lesen Sie zuerst die „Sicherheitshinweise“.

- Das Gerät darf nur zur Aufbewahrung von Lebensmitteln verwendet werden.
- Schalten Sie das Wasserventil aus, wenn Sie nicht zu Hause sind (z.B. im Urlaub) und die Eismaschine oder den Wasserspender längere Zeit nicht benutzen. Andernfalls können Wasserlecks auftreten.

- Es ist normal, dass die vorderen Ränder des Geräts warm sind. Diese sind so gestaltet, dass sie erwärmen, um Kondensation zu vermeiden.
- Bei einigen Modellen schaltet sich die Anzeigetafel 1 Minuten nach dem Schließen der Tür automatisch aus. Sie wird wieder aktiviert, wenn die Tür offen ist oder eine beliebige Taste gedrückt wird.

5.3 Klimaklasse und Definitionen

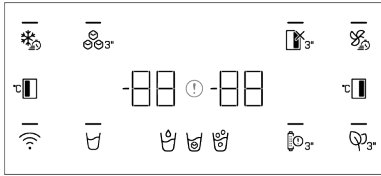
Bitte beachten Sie die Klimaklasse auf dem Typenschild Ihres Geräts. Je nach Klimaklasse ist eine der folgenden Informationen auf Ihr Gerät anwendbar.

- **SN** Langfristig gemäßigtes Klima: Dieses Kühlgerät ist für den Einsatz bei Umgebungstemperaturen zwischen 10 °C und 32 °C ausgelegt.
- **N**: Gemäßigtes Klima: Dieses Kühlgerät ist für den Einsatz bei Umgebungstemperaturen zwischen 16°C und 32 °C ausgelegt.
- **ST**: Subtropisches Klima: Dieses Kühlgerät ist für den Einsatz bei Umgebungstemperaturen zwischen 16°C und 38°C ausgelegt.
- **T**: Tropisches Klima: Dieses Kühlgerät ist für den Einsatz bei Umgebungstemperaturen zwischen 16°C und 43°C ausgelegt.

Ausstecken des Produkts

- Entfernen Sie die Lebensmittel, um Gerüche zu vermeiden.
- Warten Sie, bis das Eis geschmolzen ist, reinigen Sie den Innenraum und lassen Sie ihn trocknen; lassen Sie die Türen offen, um eine Beschädigung der inneren Kunststoffteile zu vermeiden.

7 Bedienfeld des Geräts



Lesen Sie zuerst die „Sicherheitshinweise“. Die auditiven und visuellen Funktionen der Anzeigetafel erleichtert Ihnen die Nutzung des Kühlschranks.

*Optional: Die angezeigten Funktionen sind optional, es können Form- und Lageunterschiede bei den Funktionen auf der Anzeige Ihres Geräts auftreten.

Schnellgefriertaste

Wenn die Schnellgefriertaste gedrückt wird, leuchtet die LED auf der Taste und die Schnellgefrierfunktion wird aktiviert. Die Temperatur des Gefrierfachs ist auf -27 Grad Celsius eingestellt. Drücken Sie erneut auf die Taste, um die Funktion abzubrechen. Die Schnellgefrierfunktion wird automatisch aufgehoben. Um eine große Menge an frischen Lebensmitteln einzufrieren, drücken Sie die Schnellgefriertaste, bevor Sie die Lebensmittel in das Gefrierfach legen.

Icematic Ein-/Aus-Taste

Wenn Sie diese Taste 3 Sekunden lang drücken, wird der Eisbereitungsvorgang aktiviert und die LED auf der Taste leuchtet. Durch erneutes Drücken der Taste für 3 Sekunden wird der Eisbereitungsvorgang abgebrochen und die zuvor hergestellten Eiswürfel können verwendet werden, obwohl die Funktion abgebrochen wird.

Fehlerzustandsanzeige

Diese Anzeige muss aktiv sein, wenn Ihr Kühlschrank keine ausreichende Kühlung durchführen kann oder wenn ein Sensorfehler vorliegt. Auf der Temperaturanzeige des Gefrierfachs wird "E" angezeigt und auf der Temperaturanzeige des Kühlfachs werden Zahlen wie 1, 2, 3 ... angezeigt.

Diese Zahlen geben dem autorisierten Dienst Auskunft über den aufgetretenen Fehler.

Das Ausrufezeichen kann angezeigt werden, wenn Sie warme Lebensmittel in das Gefrierfach laden oder die Tür längere Zeit offen halten. Dies ist kein Fehler. Diese Warnung wird erlischen, wenn die Lebensmittel abgekühlt sind oder wenn eine Taste gedrückt wird.

Funktionstaste Kühlfach Aus (Urlaub)

Um die Urlaubsfunktion zu aktivieren, drücken Sie die Taste für 3 Sekunden. Der Urlaubsmodus wird aktiviert und die LED der Taste leuchtet auf. Auf der Temperaturanzeige des Kühlfachs muss „-“ angezeigt werden, und der Kühlfach führt keine aktive Kühlung durch. Wenn Sie diese Funktion aktivieren, sollten Sie Ihre Lebensmittel nicht im Kühlfach aufbewahren. Die anderen Fächer kühlen entsprechend der zuvor eingestellten Temperaturen weiter. Drücken und halten Sie die Taste erneut 3 Sekunden lang, um diese Funktion abzubrechen.

Schnellkühltaste

Wenn Sie die Schnellkühltaste drücken, leuchtet die LED auf der Taste und die Schnellkühlfunktion soll aktiviert werden. Die Temperatur des Kühlfachs ist auf 1 Grad Celsius eingestellt. Drücken Sie erneut auf die Taste, um die Funktion abzubrechen. Die Schnellgefrierfunktion wird nach dem Abkühlen automatisch abgebrochen.

Temperatureinstellungstaste für das Kühlfach

Ermöglicht die Einstellung der Temperatur für das Kühlfach. Durch das Drücken dieser Taste wird die Einstellung der Gefrierfachtemperatur auf 8, 7, 6, 5, 4, 3, 2 und 1 Grad Celsius möglich.

Desodorierungsmodul-Schlüssel

Drücken Sie diese Taste 3 Sekunden lang, um die Desodorierungsfunktion zu aktivieren/deaktivieren. Wenn die Desodorierungsfunktion aktiv ist, leuchtet die LED der jeweiligen Taste. Wenn die Funktion aktiv ist, wird das Desodorierungsmodul periodisch betrieben.

Warnungstaste zum Filteraustausch

Der Wasserzulaufilter des Kühlschranks sollte in regelmäßigen Abständen gewechselt werden. Ihr Kühlschrank berechnet diese Zeit automatisch. Wenn die Filterlebensdauer abgelaufen ist, leuchtet die LED über der Filterwechsel-Warntaste. Halten Sie nach dem Filterwechsel die Taste 3 Sekunden lang gedrückt, um die Warn-LED für den Filterwechsel auszuschalten.

Wasser, Eiswürfel, gebrochenes Eis-

Auswahltaaste

Mit dieser Taste können Sie zwischen Wasser, Eiswürfel und gebrochenes Eis-Auswahl wechseln. Wenn Sie die Funktion aktivieren, bleibt das Licht auf der Taste an.

Kabellose Taste

Dieser Schlüssel wird verwendet um über die mobile HomeWhiz-App eine drahtlose Verbindung mit Ihrem Produkt herzustellen. Wenn Sie die Taste 3 Sekunden lang drücken, blinkt die LED auf der Taste langsam (in Abständen von 0,5 Sekunden). Das Heimnetzwerk wird auf diese Weise auf dem Produkt initialisiert. Nachdem die drahtlose Verbindung mit dem Produkt hergestellt wurde, leuchtet die LED auf der Taste kontinuierlich.

Wenn die erste Verbindung hergestellt ist, können Sie die Verbindung durch kurzes Drücken dieser Taste aktivieren/deaktivieren. Die LED auf der Taste blinkt schnell (in Abständen 0,2 Sekunden), bis Ihr Gerät angeschlossen ist. Wenn die Verbindung aktiv ist, leuchtet die LED.

Wenn die Verbindung über einen längeren Zeitraum nicht hergestellt werden kann, überprüfen Sie Ihre Verbindungseinstellungen und lesen Sie den Abschnitt „Fehlerbehebung“ im Bedienungsanleitung.

Die HomeWhiz-Anwendung wird für die drahtlose Verbindung verwendet werden. Die Installationsschritte werden in der Anwendung während der Installation beschrieben. Sie können auf die Anwendung zugreifen, indem Sie den QR-Code lesen, der auf dem HomeWhiz-Etikett des Produkts verfügbar ist. Die Anwendung wird über den App Store für iOS-Geräte und über den Play Store für Android-Geräte angeboten.

Besuchen Sie die Adresse <https://www.homewhiz.com/> für detaillierte Informationen.

Temperatureinstellungstaste für das Gefrierfach

Die Temperatureinstellung erfolgt für das Gefrierfach. Durch das Drücken dieser Taste wird die Einstellung der Gefrierfachtemperatur auf -16, -17, -18, -19, -20, -21, -22 Grad Celsius möglich.

*

Die Temperatur kann für das Kühlfach auf Werte zwischen 1°C und 8°C sowie für das Gefrierfach auf Werte zwischen -24°C und -15°C eingestellt werden. Die einstellbaren Temperaturwerte können variieren, sofern sie innerhalb der spezifischen Temperaturbereiche für das Gerät liegen.

8 Verwendung des Geräts

8.1 Aufbewahrung von Lebensmitteln im Gefrier- und Kühlfach

Lagerung von Lebensmitteln im Gefrierfach

- Sie können die Schnellgefrierfunktion 4-6 Stunden vor dem Einfrieren aktivieren und eine schnellere Abkühlung vornehmen.
- Bringen Sie warme Speisen auf Raumtemperatur, bevor Sie sie in das Gefrierfach legen.
- Lebensmittel, die eingefroren werden sollen, müssen entsprechend der zu verzehrenden Größe in Portionen aufgeteilt und in separaten Verpackungen eingefroren werden.
- Es wird empfohlen, die Lebensmittel zu verpacken, bevor sie in den Gefrierschrank gelegt werden.
- Um zu verhindern, dass die Lagerzeit abläuft, schreiben Sie das Einfrierdatum, die Uhrzeit und den Namen des Produkts auf die Verpackung, entsprechend der Lagerzeit der verschiedenen Lebensmittel.
- Verbrauchen Sie die aufgetauten Lebensmittel schnell. Aufgetaute Lebensmittel können nicht wieder eingefroren werden, es sei denn, sie werden gekocht. Es ist nicht sicher, die wieder eingefrorenen frischen Lebensmittel nach dem Auftauen ohne Kochen zu verzehren.
- Bringen Sie beim Einfrieren frischer Lebensmittel diese nicht mit bereits gefrorenen Lebensmitteln in Kontakt. Andernfalls werden die gefrorenen Lebensmittel aufgetaut.

Aufbewahrung der Lebensmittel, die tiefgekühlt verkauft werden

- Halten Sie sich bei der Lagerung von Lebensmitteln an die in diesen Anweisungen angegebenen Zeiträume.

- Um die Qualität der Lebensmittel zu schützen, sollten Sie die Zeitspanne zwischen Kauf und Lagerung so kurz wie möglich halten.
- Kaufen Sie Tiefkühlkost, die bei $-18\text{ }^{\circ}\text{C}$ oder niedrigeren Temperaturen gelagert wird.
- Vermeiden Sie den Kauf von Lebensmitteln, deren Verpackungen mit Eis usw. bedeckt sind. Dies bedeutet, dass das Produkt teilweise aufgetaut und wieder eingefroren werden könnte. Die Temperatur wirkt sich auf die Qualität der Lebensmittel aus.
- Überschreiten Sie nicht die vom Lebensmittelhersteller empfohlene Lagerzeit. Nehmen Sie nur so viele Lebensmittel aus dem Gefrierschrank, wie Sie benötigen.
- Abgesehen von den Fällen, in denen in der Umgebung extreme Bedingungen herrschen, bleiben die Lebensmittel sowohl im Frischfach als auch im Gefrierfach länger frisch, wenn Sie Ihr Produkt (auf der Tabelle der empfohlenen Werte) auf die angegebenen Werte einstellen.
- Wenn das Frischhaltefach auf eine niedrigere Temperatur eingestellt ist, kann frisches Obst und Gemüse teilweise gefroren sein.

Schnelleinfrieren

1. Aktivieren Sie die Schnellgefrierfunktion 24 Stunden vor dem Einlegen Ihrer frischen Lebensmittel.
2. Legen Sie die Lebensmittel, die Sie einfrieren möchten, 24 Stunden nach dem Drücken der Taste in das dritte oder vierte Regal mit höherer Gefrierkapazität.
3. Die einmal aktivierte Schnellgefrierfunktion schaltet sich nach einer gewissen Zeit automatisch ab.

Gefrierfacheinstellung	Gefrierfacheinstellung	Bemerkungen
-18°C	3°C	Das ist die standardmäßige, empfohlene Einstellung. Diese Einstellung wird empfohlen, wenn die Umgebungstemperatur unter 30°C liegt.
-18°C oder kälter	3°C	Diese Einstellungen werden für Umgebungstemperaturen empfohlen, die 30°C überschreiten.
Schnelleinfrieren	3°C	Verwenden Sie sie, wenn Sie Ihre Lebensmittel in kurzer Zeit einfrieren möchten. Nach Beendigung des Vorgangs werden die Einstellungen des Produkts auf die vorherige Position zurückgesetzt.
-18°C oder kälter	2°C	Verwenden Sie diese Einstellungen, wenn Sie überzeugt sind, dass das Frischfach, aufgrund der Umgebungstemperatur oder dem Öffnen der Tür nicht kalt genug sind.

Gefrierschrank Details

Gemäß den IEC 62552-Standards muss das Gefrierschrank über eine Kapazität zum Einfrieren von 4,5 kg an Lebensmitteln bei Temperaturen von -18°C oder niedriger von 25°C in 24 Stunden pro jeweils 100 Liter an Gefrierfachvolumen verfügen.

Lebensmittel können über eine längere Zeit hinweg nur bei Temperaturen von weniger als -18 °C gelagert werden.

Sie können die Lebensmittel über Monate frisch halten (im Gefrierschrank bei Temperaturen von oder niedriger als -18 °C Grad). Die einzufrierenden Lebensmittel dürfen nicht mit bereits tiefgekühlten Produkten in Berührung kommen, um ein teilweises Auftauen zu verhindern.

Blanchieren Sie das Gemüse und gießen Sie das Wasser ab, um die Lagerzeit bei Tiefkühlung zu verlängern. Legen Sie das Gefriergut nach dem Abgießen in luftdichte Verpackungen und dann in das Gefrierschrank. Bananen, Tomaten, Salat, Sellerie, gekochte Eier, Kartoffeln und vergleichbare Lebensmittel dürfen nicht eingepackt werden. Wenn diese Lebensmittel eingefroren werden, werden nur der Nährwert und die Verzehreigenschaften beeinträchtigt. Eine Verrottung, die die menschliche Gesundheit bedroht, kommt nicht in Frage.

Platzierung der Lebensmittel

Regale im Gefrierfach: Verschiedene Tiefkühlkost wie Fleisch, Fisch, Eiscreme, Gemüse usw.

Regale im Kühlfach: Lebensmittel in Töpfen, Behältern mit Deckeln und Verschlusskappen, sowie Eier (geschlossenen Gefäßen)

Kühlfachtürregale: Kleine und verpackte Lebensmittel oder Getränke

Gemüsefach: Gemüse und Obst

Fach für frische Lebensmittel: Feinkostprodukte (Frühstücksprodukte, Fleischprodukte, die in kurzer Zeit verzehrt werden)

Aufbewahrung von Lebensmitteln im Kühlfach

- Die Temperatur des Fachs steigt stark an, wenn die Fachtür häufig geöffnet und geschlossen wird und lange Zeit offen bleibt; dies kann die Lebensdauer der Lebensmittel verkürzen und zum Verderben der Lebensmittel führen.
- Um Geruchs- und Geschmacksveränderungen zu vermeiden, sollten die Lebensmittel in geschlossenen Behältern aufbewahrt werden.
- Lagern Sie nicht zu viele Lebensmittel in Ihrem Kühlschranks. Um eine bessere und gleichmäßige Kühlung zu erreichen, legen Sie die Lebensmittel getrennt voneinander so ein, dass die kalte Luft durch sie hindurchströmen kann.
- Sorgen Sie für Luftzirkulation, indem Sie einen Zwischenraum zwischen den Lebensmitteln und der Innenwand lassen. Wenn Sie die Lebensmittel an die Rückwand lehnen, können sie einfrieren.
- Bringen Sie gekochte warme Speisen auf Zimmertemperatur, bevor Sie diese in den Kühlschrank stellen. Dann können Sie die lauwarmen Speisen in die unteren Fächer des Kühlschranks stellen. Stellen

Sie die lauwarmen Speisen nicht in die Nähe von Lebensmitteln, die leicht verderben können.

- Tauen Sie Ihre gefrorenen Lebensmittel im Frischhaltefach auf. Auf diese Weise können Sie das Frischhaltefach durch die Verwendung von Tiefkühlkost kühlen und Energie sparen.
- Lagern Sie unreife Südfrüchte (Mango, Melonen, Papaya, Banane, Ananas) im Kühlschrank, um den Reifeprozess zu beschleunigen. Dies ist nicht empfehlenswert, da sich dadurch die Lagerzeit verkürzt.
- Zwiebeln, Knoblauch, Ingwer und anderes Wurzelgemüse sollten Sie nicht im Kühlschrank, sondern in einem dunklen und kalten Raum aufbewahren.
- Wenn Sie feststellen, dass ein Lebensmittel im Kühlschrank verdorben ist, werfen Sie es weg und reinigen Sie das Zubehör, das mit dem Lebensmittel in Berührung gekommen ist.
- Um Speisen wie Suppen und Eintöpfe, die in großen Töpfen gekocht werden, schnell abzukühlen, können Sie sie in eigenen flachen Behältern in den Kühlschrank stellen.
- Stellen Sie unverpackte Lebensmittel nicht in die Nähe von Eiern.

- Bewahren Sie Obst und Gemüse getrennt auf und lagern Sie jede Sorte zusammen (z.B. Äpfel mit Äpfeln, Karotten mit Karotten).
- Nehmen Sie grünes Gemüse aus dem Plastikbeutel und legen Sie es in den Kühlschrank, nachdem Sie es in ein Papiertuch oder ein Trockentuch eingewickelt haben. Wenn Sie diese Art von Lebensmitteln waschen, bevor Sie sie in den Kühlschrank stellen, denken Sie daran, sie zu trocknen.
- Sie können sowohl eine feuchte Umgebung schaffen als auch für einen Luftstrom sorgen, indem Sie Obst und Gemüse, die zum Austrocknen neigen, in perforierten oder unverschlossenen Plastiktüten aufbewahren.
- Abgesehen von den Fällen, in denen in der Umgebung extreme Bedingungen herrschen, bleiben die Lebensmittel sowohl im Frischfach als auch im Gefrierfach länger frisch, wenn Sie Ihr Produkt (auf der Tabelle der empfohlenen Werte) auf die angegebenen Werte einstellen.

Lagern Sie verschiedene Lebensmittel je nach ihren Eigenschaften an unterschiedlichen Orten.

Essen	Standort
Eier	Türregal
Molkereiprodukte (Butter, Käse)	Falls verfügbar, Null-Grad-Fach (für Frühstücksnahrung)
Obst, Gemüse und Grünzeug	Obst-/Gemüsefach, Gemüse- oder EverFresh+-Fach (sofern vorhanden)
Frisches Fleisch, Geflügel, Fisch, Wurst usw. Gekochte Lebensmittel	Falls verfügbar, Null-Grad-Fach (für Frühstücksnahrung)
Servierfertige Lebensmittel, verpackte Produkte, Konserven und eingelegte Lebensmittel	Obere Regale oder Türregal
Getränke, Flaschen, Gewürze und Snacks	Türregal

8.2 Alarm bei offener Tür

Das Türöffnungswarnsystem Ihres Kühlschranks kann sich je nach Modell unterscheiden.

Version 1;

Bleibt die Tür des Geräts für eine bestimmte Zeit (zwischen 60 s und 120 s) offen, ertönt ein akustisches Warnsignal; je nach Produktmodell kann auch ein optisches Warnsignal (Lichtblitz) angezeigt werden.

Wenn Sie die Tür des Geräts schließen oder eine Taste auf dem Bildschirm des Geräts drücken (falls vorhanden), wird der Warnton beendet.

Version 2;

Wenn die Tür des Geräts für eine bestimmte Zeit (zwischen 60 s und 120 s) offen bleibt, ertönt der Türöffnungsalarm. Der Türöffnungsalarm wird schrittweise ausgelöst. Zunächst ertönt ein akustisches Warnsignal. Wenn die Tür nach 4 Minuten immer noch nicht geschlossen ist, wird eine optische Warnung (Blinklicht) aktiviert. Der Türöffnungsalarm wird für eine bestimmte Zeit (zwischen 60 s und 120 s) verzögert, wenn eine beliebige Taste auf dem Produktbild-

schirm gedrückt wird (falls vorhanden). Danach beginnt der Vorgang von neuem. Wenn die Gerätetür geschlossen ist, wird der Türöffnungsalarm aufgehoben.

8.3 Auswechseln der Beleuchtungslampe

Rufen Sie den autorisierten Kundendienst an, wenn die Glühbirne/LED für die Beleuchtung Ihres Kühlschranks ausgetauscht werden soll.

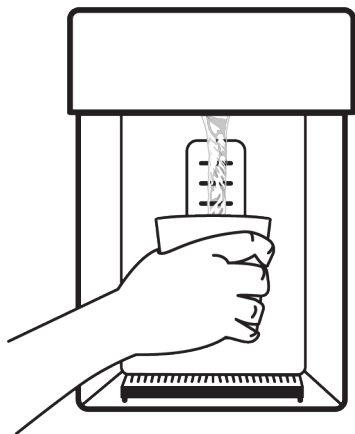
Die in diesem Gerät verwendeten Lampen können nicht für die Hausbeleuchtung verwendet werden. Die beabsichtigte Verwendung dieser Lampe soll dem Benutzer helfen, Lebensmittel sicher und bequem in den Kühl- / Gefrierschrank zu stellen.

9 Produktmerkmale

9.1 Der Eisspeicherraum

Eis-/Wasserentnahme

Wählen Sie die entsprechende Option über das Display aus, um Wasser (👉) / Eiswürfel (👉) / gebrochenes Eis (👉) zu entnehmen. Drücken Sie den Auslöser am Wasserspender nach vorne, um Wasser/Eis zu entnehmen. Wenn Sie zwischen den Optionen Eiswürfel (👉) / gebrochenes Eis (👉) umschalten, kann bei den ersten Entnahmen die von der vorherigen Auswahl übrig gebliebene Eissorte ausgegeben werden.



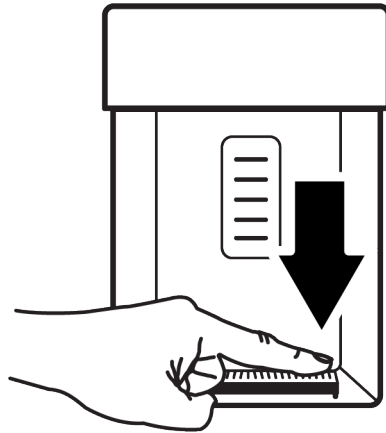
- Um zum ersten Mal Eis aus dem Eis-/Wasserspender zu entnehmen, müssen Sie etwa 12 Stunden warten. Sollte sich nicht genügend Eis im Eisbehälter befinden, können Sie kein Eis aus dem Spender entnehmen.
- Verbrauchen Sie die Eiswürfel (3-4 Liter) nicht nach dem ersten Durchlauf.
- Sollte es während des Betriebs zu einem Stromausfall oder einer vorübergehenden Störung kommen, kann das Eis ein wenig schmelzen und wieder gefrieren. In diesem Fall kann das Eis aneinander kleben bleiben. Wenn der Stromausfall oder die Störung anhält, kann das Eis schmelzen und ein Wasserleck verursachen. Wenn ein solches Problem auftritt, reinigen Sie den Eisbehälter, indem Sie das im Eisbehälter verbliebene Eis ausschütten.
- Das Wassersystem des Produkts sollte nur an die Kaltwasserleitung angeschlossen werden. Es darf nicht an die Heißwasserleitung angeschlossen werden.
- Bei der ersten Inbetriebnahme des Geräts darf kein Wasser entnommen werden. Das liegt daran, dass sich Luft im System befindet. Sie müssen die Luft im System ablassen. Drücken Sie zu diesem Zweck 1-2 Minuten lang auf den Abzug des Wasserspenders, bis Wasser aus dem Was-

serspender kommt. Zu Beginn kann der Wasserfluss unregelmäßig sein. Der Wasserfluss wird sich normalisieren, nachdem die Luft im System abgelassen wurde.

- Wenn der Filter zum ersten Mal benutzt wird, kann es sein, dass verschwommenes Wasser austritt. Die ersten 10 Gläser Wasser sollten nicht getrunken werden.
- Wenn das Gerät zum ersten Mal in Betrieb genommen wird, sollten etwa 12 Stunden vergehen, bis das Wasser abgekühlt ist.
- Das Wassersystem des Geräts ist so konzipiert, dass es nur mit sauberem Wasser funktionieren kann. Verwenden Sie kein anderes Getränk als Wasser.
- Wenn Sie das Gerät über einen längeren Zeitraum nicht benutzen, z. B. wegen eines Urlaubs, empfehlen wir Ihnen, den Wasseranschluss zu unterbrechen. Wenn der Wasserspender längere Zeit nicht benutzt wird, können die ersten 1-2 Gläser Wasser heiß auslaufen.
- *Wenn der Wasserbehälter nach der Reinigung oder dem Nachfüllen von Wasser wieder eingesetzt wird, gelangt möglicherweise Luft in den Schlauch, sodass der Wasserfluss behindert werden kann. Drücken Sie in diesem Fall den Auslöser die Dauer von ca. 30 Sekunden, sodass das Wasser herausfließen kann. Halten Sie für die weitere Wasserentnahme den Auslöser 30 Sekunden lang gedrückt.

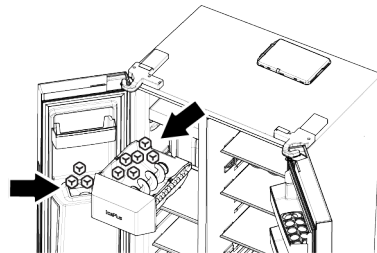
Tropfschale

Das aus dem Wasserspender tropfende Wasser sammelt sich in der Tropfschale, es gibt keinen Wasserauslauf. Sie können die Tropfschale herausnehmen, indem Sie sie zu sich heranziehen oder auf ihren Rand drücken. Sie können das Wasser in der Tropfschale auf diese Weise reinigen.



Eisbereiter

Die Eismaschine befindet sich im oberen Bereich des Gefrierschranks. Ziehen Sie den Eisbehälter zu sich, indem Sie den Griff unter dem vorderen Teil greifen, um ihn zu entfernen.



Um den Eisbehälter zu entfernen

Greifen Sie den Griff am Boden des Behälters und ziehen Sie ihn zu sich heran.

Um den Eisbehälter wieder zu montieren

Setzen Sie den Behälter in seine Aufnahme und schieben Sie ihn parallel zum Boden zurück. Bitte achten Sie darauf, dass zwischen dem Behälter und dem Fach des Eiswürfelbereiters kein Platz bleibt.

Falls Sie nicht alle Eiswürfel produziert bekommen können

Länger im Vorratsbehälter verbleibende Eiswürfel können zusammenkleben und große Eisblöcke bilden. Entfernen Sie in diesem Fall den Eisvorratsbehälter wie in der Bedienungsanleitung beschrieben, trennen Sie

die Eiswürfel, entnehmen Sie die nicht trennbaren Eiswürfel und geben Sie die restlichen Würfel wieder in den Behälter. Wenn das Problem weiterhin besteht, überprüfen Sie bitte den Eiskanal, und beseitigen Sie ihn, falls er blockiert ist.

Wenn Sie die Eismaschine zum ersten Mal oder nach längerer Zeit wieder benutzen

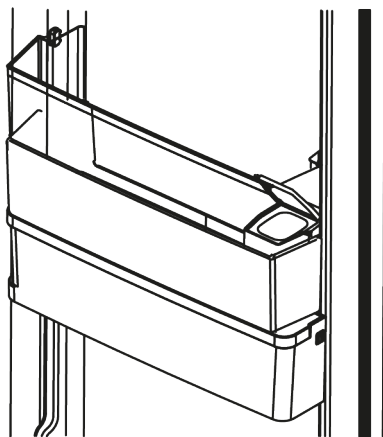
Eiswürfel können aufgrund der Restluft im Wassersystem kleiner werden. Die Luft wird nach einiger Zeit automatisch abgelassen.

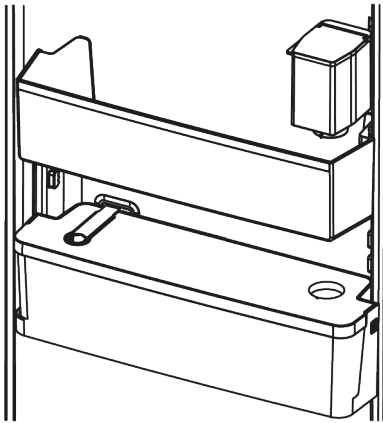
- Verwenden Sie die am ersten Tag produzierten Eiswürfel nicht, damit Sie das restliche Wasser im System auffrischen können.
- Stecken Sie Ihre Hand oder andere Gegenstände nicht in den Eiskanal und die Eiszerkleinerungsmesser, während der Kühlschrank in Betrieb ist.
- Lassen Sie Kinder nicht an der Eismaschine, dem Eisbehälter oder dem Wasser-/Eisspender hängen.
- Fassen Sie den Eisbehälter mit beiden Händen fest an, damit er nicht herunterfällt.
- Wenn Sie die Tür Ihres Gerätes schnell schließen, kann das Wasser im Eiswürfelbereiter in den Eisbehälter spritzen.
- Den Eisbehälter ausbauen nur, wenn dies erforderlich ist.
- Im Falle einer Verstopfung (das Gerät lässt kein Eis fallen), während Sie gebrochenes Eis erhalten, versuchen Sie Eiswürfel zu holen.
- Dann können Sie erneut versuchen, gebrochenes Eis zu erhalten.
- Falls Sie das gebrochenes Eis entnommen haben, muss das Gerät zuerst Eiswürfel produzieren. Es ist möglich, dass das Gerät Eiswürfel produziert, wenn es gebrochenes Eis erhält.
- Die Gefriertür der Eismaschine kann mit leichtem Reif und einer Folienschicht bedeckt sein.
- Dies ist normal und wir empfehlen Ihnen, es sofort zu reinigen.
- Nach einiger Zeit kann sich Wasser im Gitter am Boden des Wasserspenders füllen.

- Wir empfehlen Ihnen, das Wasser im Gitter regelmäßig zu entfernen.
- Es ist normal, ein Geräusch zu hören, wenn Eiswürfel aus dem Eisbehälter fallen. Dies bedeutet keine Fehlfunktion.
- Der Klingennechanismus des Eisbehälters ist scharf und kann Ihre Hand verletzen.
- Wenn keine Eiswürfel aus dem Eisspender gelöst werden, können die Eiswürfel zusammenkleben. Sie müssen den Behälter reinigen, um weiterhin Eiswürfel zu erhalten.
- Wenn der Auslöser gedrückt wird, um Eis zu erhalten (Anzeige usw.), kann der Eistyp nicht geändert werden. Sie sollten den Auslöser (Anzeige usw.) loslassen, den Eistyp ändern und erneut Eis nehmen. Zu diesem Zweck können Sie erneut Eis entnehmen, nachdem Sie den Eistyp am Indikator geändert haben.

Reinigung des Wasserbehälters

- Nehmen Sie den Wasserbehälter in Innen des Türeinschubs heraus.
- Lösen Sie den Türeinschub, indem Sie beide Seiten der Tür festhalten.
- Entfernen und reinigen Sie die Abdeckung des Wasserbehälters.





Füllen Sie den Wasserbehälter nicht mit Fruchtsäften, kohlenensäurehaltigen Getränken, alkoholischen Getränken oder anderen Flüssigkeiten, die nicht für die Verwendung mit dem Wasserspender geeignet sind. Die Verwendung dieser Flüssigkeiten führt zu Funktionsausfällen und nicht reparablen Schäden am Wasserspender. Bei Schäden durch Verwendung des Wasserspenders auf diese Weise wird nicht von der Garantie abgedeckt. Derartige spezifische Chemikalien und Zusätze in den Getränken/Flüssigkeiten können zu Sachschäden im Wasserspender führen.

Die Komponenten des Wassertanks und des Wasserspenders dürfen nicht im Geschirrspüler gewaschen werden.

10 Wartung und Reinigung

Lesen Sie zuerst die „Sicherheitshinweise“. Ziehen Sie vor der Reinigung Ihres Geräts den Netzstecker oder schalten Sie die Sicherung aus, an die es angeschlossen ist. Stellen Sie Ihre Hände, Füße oder Metallgegenstände nicht unter den Kühlschrank oder zwischen den Kühlschrank und den Boden, aus welchem Grund auch immer. Es kann zu einem Einklemmen kommen oder scharfe Kanten können Verletzungen verursachen.

9.2 Eierhalter

Sie können den Eierhalter auf der Tür oder auf dem Gehäuseregal platzieren, wie Sie möchten.

Wenn Sie den Eierhalter auf der Hauptablage platzieren, empfehlen wir Ihnen, die kälteren unteren Ablagen zu wählen.

- Stellen Sie den Eierhalter niemals auf das Gefrierfach

9.3 Gemüsefach

Das Gemüsefach im Kühlschrank hält das Gemüse frisch, indem ihre Feuchtigkeit erhalten bleibt. Für diesen Zweck ist die Zirkulation der Kaltluft im Gemüsefach intensiver. Lagern Sie Obst oder Gemüse in diesem Fach. Lagern grünblättriges Gemüse getrennt von Früchten, um deren Leben zu verlängern.

9.4 Kühlraum für Molkereiprodukte

Kühlagerschublade

Die Kühlschlade kann im Kühlfach niedrigere Temperaturen erreichen. Verwenden Sie diese Schlade für Feinkostprodukte (Salami, Wurst usw.) und Milchprodukte, die kältere Lagerbedingungen erfordern, oder für Fleisch, Hähnchen oder Fisch, die schnell verzehrt werden sollen. Es ist nicht geeignet, Obst und Gemüse in dieser Schlade aufzubewahren.

- Verwenden Sie zum Reinigen des Produkts keine scharfen oder scheuernden Werkzeuge. Verwenden Sie keine Materialien wie Haushaltsreiniger, Seifen, Reinigungsmittel, Gas, Benzin, Verdüner, Alkohol, Wachs usw.
- Der Staub muss mindestens einmal im Jahr vom Lüftungsgitter auf der Rückseite des Produkts entfernt werden (ohne die Abdeckung zu öffnen). Reinigen Sie das Produkt nur mit einem trockenen Tuch.

Für Produkte mit Wasserspender/Eiswürfelbereiter

- Wenn das Wasser im Wassertank 2-3 Wochen gestanden hat, muss es ausgetauscht werden.
- Der Wassertank und die Komponenten des Wasserspenders dürfen nicht in Geschirrspüln gewaschen werden.
- Schmelzen Sie einen Teelöffel Karbonat in einem halben Liter Wasser. Feuchten Sie ein Tuch mit dem Wasser an und wringen Sie es aus. Wischen Sie das Gerät mit diesem Tuch ab und trocknen Sie es gründlich ab.
- Achten Sie darauf, dass kein Wasser in die Nähe der Lampenabdeckung, des LED-Glases, der Lüftungsöffnungen oder anderer elektrischer Teile gelangt. Gefahr von Stromschlag und Kurzschluss!
- Öffnen Sie stromführende Teile (Abdeckung der Steuerplatine, ggf. hintere Abdeckung des Verdichters usw.) nur in Anwesenheit einer autorisierten Person und führen Sie hier keine Reinigungs-, Wartungs- oder Reparaturarbeiten durch. Wenn Ihr Produkt im Bereich des Kompressors keine Abdeckung hat, berühren Sie diesen Bereich nicht mit den Händen oder mit Gegenständen. Es besteht Stromschlag- und Verletzungsgefahr!
- Reinigen Sie die Tür nur mit einem feuchten Tuch. Nehmen Sie die Tür- und Gehäuseablagen sowie den gesamten Inhalt des Kühlschranks heraus. Entfernen Sie die Türregale, indem Sie sie nach oben heben. Reinigen und trocknen Sie die Ablagen und befestigen Sie sie wieder, indem Sie sie von oben einschieben.
- Verwenden Sie kein chlorhaltiges Wasser bzw. chlorhaltige Reinigungsmittel zur Reinigung der Außenflächen und chrombeschichteten Teile des Geräts. Chlor lässt metallische Oberflächen rosten.
- Stellen Sie Ihre Hände, Füße oder Metallgegenstände nicht unter den Kühlschrank. Jamming may occur or any sharp edge may cause personal injuries..

- Verwenden Sie keine scharfen und scheuernden Werkzeuge, Seife, Haushaltsreiniger, Reinigungsmittel, Gas, Benzin, Lacke und ähnliche Substanzen, um eine Verformung und Entfernung der Drucke auf dem Kunststoffteil zu vermeiden. Verwenden Sie zum Reinigen warmes Wasser und ein weiches Tuch und trocknen Sie es anschließend ab.

Bei Produkten ohne Frostschutzfunktion

- können Wassertropfen und Eisbildung bis zu einer Fingerdicke an der Rückwand des Gefrierfachs auftreten. Nicht reinigen und niemals Öle oder ähnliche Materialien auftragen.
- Verwenden Sie ein leicht angefeuchtetes Mikrofasertuch, um die Außenfläche des Produkts zu reinigen. Schwämme und andere Arten von Reinigungskleidung können Kratzer verursachen.
- Um alle entfernbaren Komponenten während der Reinigung der Innenfläche des Produkts zu reinigen, waschen Sie diese Komponenten mit einer milden Lösung aus Seife, Wasser und Karbonat. Gründlich waschen und trocknen. Kontakt von Wasser mit Beleuchtungskomponenten und dem Bedienfeld verhindern.
- Achten Sie darauf, dass die Abdeckung der Lampen und sonstige Elektroteile nicht mit Wasser in Kontakt kommen.
- Reinigen Sie die Tür nur mit einem feuchten Tuch. Entfernen Sie den gesamten Inhalt, um die Tür- und Gehäuseablagen zu entfernen. Entfernen Sie die Türregale, indem Sie sie nach oben heben. Reinigen Sie die Türeinsätze gründlich und setzen Sie sie sodann wieder ein, indem Sie diese nach unten gleiten lassen.
- Verwenden Sie kein chlorhaltiges Wasser bzw. chlorhaltige Reinigungsmittel zur Reinigung der Außenflächen und chrombeschichteten Teile des Geräts. Chlor lässt metallische Oberflächen rosten.
- Verwenden Sie keine scharfen und scheuernden Werkzeuge, Seife, Haushaltsreiniger, Reinigungsmittel, Gas, Benzin, Lacke und ähnliche Substanzen, um eine Verformung und Entfernung der Drucke auf dem Kunststoffteil zu vermeiden. Verwenden Sie zum Reinigen warmes Wasser und ein weiches Tuch und trocknen Sie es anschließend ab.

cke auf dem Kunststoffteil zu vermeiden. Verwenden Sie zum Reinigen warmes Wasser und ein weiches Tuch und trocknen Sie es anschließend ab.

- Bei Produkten ohne Frostschutzfunktion können Wassertropfen und Eisbildung bis zu einer Fingerdicke an der Rückwand des Kühlfachs auftreten. Nicht reinigen und niemals Öle oder ähnliche Materialien auftragen.
- Verwenden Sie nur ein leicht angefeuchtetes Mikrofaser Tuch, um die Außenfläche des Produkts zu reinigen. Schwämme und andere Arten von Reinigungskleidung können Kratzer verursachen.
- Um alle entfernbaren Komponenten während der Reinigung der Innenfläche des Produkts zu reinigen, waschen Sie diese Komponenten mit einer milden Lösung aus Seife, Wasser und Karbonat. Gründlich waschen und trocknen. Kontakt von Wasser mit Beleuchtungskomponenten und dem Bedienfeld verhindern.
- Verwenden Sie auf keiner Innenfläche Essig, Reinigungsalkohol oder andere Reinigungsmittel auf Alkoholbasis.

Außenflächen aus Edelstahl

Verwenden Sie ein nicht scheuerndes Reinigungsmittel aus rostfreiem Stahl und tragen Sie es mit einem weichen, fussselfreien

11 Fehlerbehebung

Lesen Sie zuerst die „Sicherheitshinweise“. Prüfen Sie diese Liste, bevor Sie sich an den Kundendienst wenden. So sparen Sie Zeit und Geld. Diese Liste enthält häufige Beanstandungen, die nicht auf Verarbeitungs- oder Materialfehler zurückzuführen sind. Bestimmte hier aufgeführte Merkmale treffen möglicherweise nicht auf Ihr Produkt zu.

Wenn das Problem nach Befolgen der Anweisungen in diesem Abschnitt weiterhin besteht, wenden Sie sich an Ihren Händler oder einen autorisierten Kundendienst. Versuchen Sie nicht, das Gerät zu reparieren.

Tuch auf. Wischen Sie zum Polieren die Oberfläche vorsichtig mit einem mit Wasser angefeuchteten Mikrofaser Tuch ab und verwenden Sie eine trockene Poliergämsse. Folgen Sie immer den Adern des Edelstahls.

Gerüche verhindern

Das Gerät wurde ohne die Verwendung von Geruch erzeugenden Materialien hergestellt. Die unsachgemäße Lagerung von Lebensmitteln und die unsachgemäße Reinigung der Innenflächen können jedoch zu Geruchsbildung führen.

- Um dies zu vermeiden, sollten Sie den Innenraum mit kohlenensäurehaltigem Wasser alle fünfzehn Tage reinigen.
- Bewahren Sie die Lebensmittel in versiegelten Behältern auf, da Mikroorganismen, die von Lebensmitteln in nicht versiegelten Behältern stammen, einen schlechten Geruch verursachen.
- Bewahren Sie keine verdorbenen Lebensmittel bzw. solche mit abgelaufenem Haltbarkeitsdatum im Kühlschrank auf.

Schutz der Kunststoffoberflächen

Auf Kunststoffoberflächen ausgelaufenes Öl kann diese beschädigen. Reinigen Sie daher solche Verschmutzungen unverzüglich.

Der Kühlschrank funktioniert nicht.

- Der Netzstecker ist nicht vollständig eingesteckt. >>> Stecken Sie den Stecker vollständig in die Steckdose.
- Die Sicherung in der Steckdose, die das Produkt mit Strom versorgt, oder die Hauptsicherung ist durchgebrannt. >>> Prüfen Sie die Sicherung.

Kondenswasser an der Seitenwand des Kühlfachs (MULTI ZONE, COOL CONTROL und FLEXI ZONE).

- Die Tür wird zu häufig geöffnet. >>> Achten Sie darauf, die Tür des Geräts nicht zu häufig zu öffnen.

- Die Umgebung ist zu feucht. >>> Stellen Sie das Gerät nicht in feuchten Umgebung auf.
- Flüssigkeitshaltige Lebensmittel werden in unverschlossenen Behältern aufbewahrt. >>> Bewahren Sie die Lebensmittel, die Flüssigkeiten enthalten, in versiegelten Behältern auf.
- Die Tür des Geräts steht offen. >>> Lassen Sie die Tür des Geräts nicht für längere Zeit offen.
- Der Thermostat ist auf eine sehr kühle Temperatur eingestellt. >>> Stellen Sie den Thermostat auf eine angemessene Temperatur ein.

Der Kompressor funktioniert nicht.

- Bei einem plötzlichen Stromausfall oder wenn der Netzstecker gezogen und wieder eingesteckt wird, ist der Gasdruck im Kühlsystem des Geräts nicht ausgeglichen, wodurch die thermische Sicherung des Kompressors ausgelöst wird. Das Gerät schaltet sich nach etwa 6 Minuten wieder ein. Wenn das Gerät nach diesem Zeitraum nicht wieder anläuft, wenden Sie sich an den Kundendienst.
- Die Abtauung ist aktiv. >>> Dies ist normal für ein vollautomatisches Abtauungsprodukt. Die Abtauung wird regelmäßig durchgeführt.
- Das Gerät ist nicht eingesteckt. >>> Vergewissern Sie sich, dass das Netzkabel eingesteckt ist.
- Die Temperatur ist falsch eingestellt. >>> Wählen Sie die richtige Temperatureinstellung.
- Der Strom ist ausgefallen. >>> Das Gerät arbeitet normal weiter, sobald die Stromversorgung wiederhergestellt ist.

Das Betriebsgeräusch des Kühlschranks nimmt während des Betriebs zu.

- Die Betriebsleistung des Geräts kann je nach den Schwankungen der Umgebungstemperatur variieren. Dies ist normal und stellt keine Fehlfunktion dar.

Der Kühlschrank läuft zu oft oder zu lange.

- Das neue Gerät ist möglicherweise größer als das vorherige. Größere Produkte sind länger in Betrieb.
- Die Raumtemperatur ist möglicherweise zu hoch. >>> Das Gerät läuft normalerweise über längere Zeit bei höherer Raumtemperatur.
- Das Gerät wurde möglicherweise vor kurzem eingesteckt oder es wurde ein neues Lebensmittel hineingelegt. >>> Das Gerät braucht länger, um die eingestellte Temperatur zu erreichen, wenn es kürzlich eingesteckt wurde oder ein neues Lebensmittel hineingelegt wurde. Das ist normal.
- Möglicherweise wurden kürzlich große Mengen heißer Lebensmittel in das Gerät gelegt. >>> Legen Sie keine heißen Lebensmittel in das Gerät.
- Die Türen wurden häufig geöffnet oder für längere Zeit offen gehalten. >>> Die warme Luft, die sich im Inneren bewegt, lässt das Gerät länger laufen. Öffnen Sie die Türen nicht zu häufig.
- Die Tür des Gefrier- oder Kühlgeräts ist möglicherweise angelehnt. >>> Vergewissern Sie sich, dass die Türen vollständig geschlossen sind.
- Das Gerät ist möglicherweise auf eine zu niedrige Temperatur eingestellt. >>> Stellen Sie die Temperatur auf eine höhere Stufe und warten Sie, bis das Produkt die eingestellte Temperatur erreicht hat.
- Die Türdichtung des Kühl- oder Gefriereschranks ist möglicherweise verschmutzt, abgenutzt, kaputt oder nicht richtig eingesetzt. >>> Reinigen oder ersetzen Sie die Dichtung. Eine beschädigte/gerissene Türdichtung führt dazu, dass das Gerät länger laufen muss, um die aktuelle Temperatur zu halten.

Die Temperatur des Gefrierfachs ist sehr niedrig, aber die Temperatur des Kühlfachs ist ausreichend.

- Die Temperatur des Gefrierfachs ist auf eine sehr niedrige Temperatur eingestellt. >>> Stellen Sie die Temperatur des Gefrierfachs auf eine höhere Stufe und prüfen Sie erneut.

Die Temperatur im Kühlfach ist sehr niedrig, aber die Temperatur im Gefrierfach ist ausreichend.

- Die Temperatur des Kühlfachs ist sehr niedrig eingestellt. >>> Stellen Sie die Temperatur des Kühlfachs auf eine höhere Temperatur ein und überprüfen Sie sie erneut.

Die Lebensmittel in den Schubladen des Kühlfachs sind gefroren.

- Die Temperatur des Kühlfachs ist sehr niedrig eingestellt. >>> Stellen Sie die Temperatur des Kühlfachs auf eine höhere Temperatur ein und überprüfen Sie sie erneut.

Die Temperatur im Kühl- oder Gefrierfach ist zu hoch.

- Die Kühlfachtemperatur ist sehr hoch eingestellt. >>> Die Temperatureinstellung des Kühlfachs wirkt sich auf die Temperatur im Gefrierfach aus. Warten Sie, bis die Temperatur der betreffenden Teile ein ausreichendes Niveau erreicht hat, indem Sie die Temperatur der Kühl- oder Gefrierfächer ändern.
- Die Türen wurden häufig geöffnet oder für längere Zeit offen gehalten. >>> Öffnen Sie die Türen nicht zu häufig.
- Die Tür kann angelehnt sein. >>> Schließen Sie die Tür vollständig.
- Das Gerät wurde möglicherweise vor kurzem eingesteckt oder es wurde ein neues Lebensmittel hineingelegt. >>> Das ist normal. Das Gerät braucht länger, um die eingestellte Temperatur zu erreichen, wenn es kürzlich eingesteckt wurde oder ein neues Lebensmittel hineingelegt wurde.

- Möglicherweise wurden kürzlich große Mengen heißer Lebensmittel in das Gerät gelegt. >>> Legen Sie keine heißen Lebensmittel in das Gerät.

Schütteln oder Geräusche.

- Der Untergrund ist nicht eben oder nicht stabil >>> Wenn das Produkt bei langsamer Bewegung wackelt, stellen Sie die Ständer ein, um das Produkt auszubalancieren. Vergewissern Sie sich auch, dass der Boden ausreichend stabil ist, um das Gerät zu tragen.
- Auf dem Gerät abgestellte Gegenstände können Geräusche verursachen. >>> Entfernen Sie alle auf dem Gerät abgestellten Gegenstände.
- Das Gerät macht Geräusche von fließenden, spritzenden Flüssigkeiten usw.
- Die Funktionsweise des Produkts beinhaltet Flüssigkeits- und Gasströme. >>> Dies ist normal und stellt keine Fehlfunktion dar.

Aus dem Gerät kommt ein Windgeräusch.

- Das Produkt verwendet einen Ventilator für den Kühlprozess. Dies ist normal und stellt keine Fehlfunktion dar.

An den Innenwänden des Produkts bildet sich Kondenswasser.

- Heißes oder feuchtes Wetter führt zu verstärkter Vereisung und Kondensation. Dies ist normal und stellt keine Fehlfunktion dar.
- Die Türen wurden häufig geöffnet oder für längere Zeit offen gehalten. >>> Öffnen Sie die Türen nicht zu häufig; wenn sie offen sind, schließen Sie die Tür.
- Die Tür kann angelehnt sein. >>> Schließen Sie die Tür vollständig.

An der Außenseite des Geräts oder zwischen den Türen bildet sich Kondenswasser.

- Die Umgebungsluft kann feucht sein, dies ist bei feuchtem Wetter ganz normal. >>> Das Kondenswasser wird sich auflösen, wenn die Luftfeuchtigkeit reduziert wird.

Der Innenraum riecht schlecht.

- Das Produkt wird nicht regelmäßig gereinigt. >>> Reinigen Sie den Innenraum regelmäßig mit einem Schwamm, warmem Wasser und kohlenstoffhaltigem Wasser.
- Bestimmte Halterungen und Verpackungsmaterialien können Geruch verursachen. >>> Verwenden Sie geruchsneutrale Halterungen und Verpackungsmaterialien.
- Die Lebensmittel wurden in nicht verschlossenen Behältern gelagert. >>> Lagern Sie die Lebensmittel in geschlossenen Behältern. Mikroorganismen können auf unverschlossene Lebensmittel überspringen und unangenehme Gerüche verursachen.
- Entfernen Sie alle abgelaufenen oder verdorbenen Lebensmittel aus dem Gerät.

Die Tür schließt nicht.

- Lebensmittelverpackungen können die Tür blockieren. >>> Entfernen Sie alle Gegenstände, die die Türen blockieren.
- Das Gerät steht nicht ganz aufrecht auf dem Boden. >>> Stellen Sie die Ständer so ein, dass das Gerät im Gleichgewicht ist.

- Die Oberfläche ist nicht eben oder nicht stabil >>> Vergewissern Sie sich, dass die Oberfläche eben und ausreichend stabil ist, um das Produkt zu tragen.

Das Gemüsefach ist eingeklemmt.

- Die Lebensmittel können mit dem oberen Teil der Schublade in Kontakt sein. >>> Ordnen Sie die Lebensmittel in der Schublade neu an.

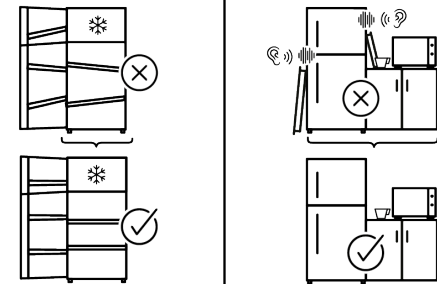
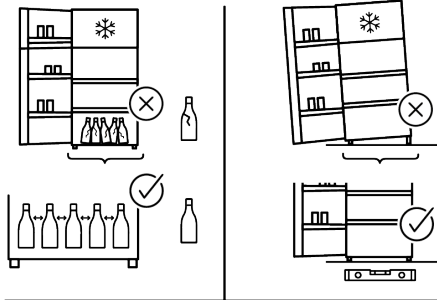
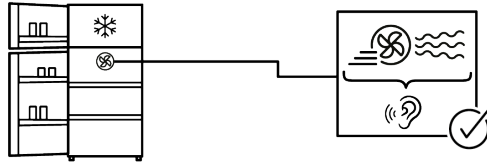
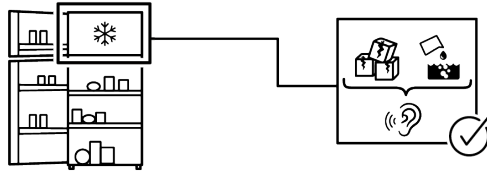
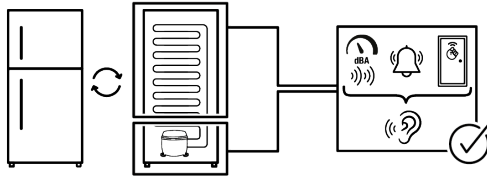
Temperatur auf der Oberfläche des Produkts.

- Während des Betriebs Ihres Geräts kann zwischen zwei Türen, an den Seitenwänden und im hinteren Grillbereich eine hohe Temperatur festgestellt werden. Dies ist normal und erfordert keine Wartung.

Das Gebläse läuft weiter, wenn die Tür geöffnet wird.

- Das Gebläse kann weiterlaufen, wenn die Gefrierschranktür geöffnet ist.

Wenn das Problem nach Befolgen der Anweisungen in diesem Abschnitt weiterhin besteht, wenden Sie sich an Ihren Händler oder einen autorisierten Kundendienst. Versuchen Sie nicht, das Gerät zu reparieren. Das ist normal.



HAFTUNGSAUSSCHLUSS

Einige (einfache) Störungen können vom Endbenutzer in angemessener Weise behoben werden, ohne dass Sicherheitsprobleme oder eine unsichere Verwendung auftreten, vorausgesetzt, sie werden innerhalb der Grenzen und in Übereinstimmung mit den folgenden Anweisungen durchgeführt (siehe Abschnitt "Selbstreparatur").

Sofern im Abschnitt "Selbstreparatur" nichts anderes angegeben ist, müssen Reparaturen von registrierten Fachwerkstätten durchgeführt werden, um Sicherheitsprobleme zu vermeiden. Eine registrierte professionelle Reparaturwerkstatt ist eine professionelle Reparaturwerkstatt, die vom Hersteller gemäß den in den Rechtsakten gemäß der Richtlinie 2009/125/EG beschriebenen Methoden Zugang zu den Anweisungen und der Ersatzteilliste dieses Produkts erhalten hat.

Allerdings darf nur der Kundendienst (d.h. die autorisierte Fachwerkstatt), den Sie über die in der Bedienungsanleitung/Garantiekarte angegebene Telefonnummer oder über Ihren Vertragshändler erreichen können, Serviceleistungen im Rahmen der Garantiebedingungen erbringen. Bitte beachten Sie daher, dass bei Reparaturen durch professionelle (die nicht autorisiert sind durch)BauknechtReparateure die Garantie erlischt.

Selbstreparatur

Folgende Ersatzteile können durch den Endverbraucher allein repariert werden: Türgriffe, Türscharniere, Schalen, Körbe und Türdichtungen (eine aktualisierte Liste ist ab dem 1. März 2021 ebenfalls <https://parts-selfservice.europeanappliances.com> verfügbar).

Um die Sicherheit des Produkts zu gewährleisten und die Gefahr schwerer Verletzungen zu vermeiden, müssen die erwähnten Selbstreparaturen gemäß den Anweisungen in der Bedienungsanleitung für die Selbstreparatur durchgeführt werden, die in [ces.com verfügbar sind. Ziehen Sie zu Ihrer Sicherheit den Netzstecker, bevor Sie versuchen, das Gerät selbst zu reparieren.](https://parts-selfservice.europeanapplian-</p></div><div data-bbox=)

Reparatur- und Instandsetzungsversuche durch den Endbenutzer für Teile, die nicht in dieser Liste enthalten sind, und/oder die nicht gemäß den Anweisungen in den Benutzerhandbüchern für die Selbstreparatur oder den in der <https://parts-selfservice.europeanappliances.com> verfügbaren Anweisungen durchgeführt werden, können zu Sicherheitsproblemen führen, die nicht der Bauknecht zuzuschreiben sind, und machen die Garantie des Produkts ungültig. Daher wird den Endnutzern dringend empfohlen, von Reparaturversuchen abzusehen, die nicht in der genannten Ersatzteilliste aufgeführt sind, und sich in solchen Fällen an autorisierte Fachreparaturbetriebe oder registrierte Fachreparaturbetriebe zu wenden. Im Gegenteil, solche Versuche können Sicherheitsprobleme verursachen und das Produkt beschädigen und in der Folge Feuer, Überschwemmungen, Stromschläge und schwere Personenschäden hervorrufen. Beispielsweise müssen die folgenden Reparaturen von autorisierten Fachwerkstätten oder registrierten Fachwerkstätten durchgeführt werden: Kompressor, Kühlkreislauf, Hauptplatine, Inverterplatine, Displayplatine usw.

Der Hersteller/Verkäufer kann in keinem Fall haftbar gemacht werden, wenn der Endverbraucher die oben genannten Punkte nicht beachtet.

Die Ersatzteilverfügbarkeit des von Ihnen gekauften Kühlschranks beträgt 10 Jahre, während dieser Zeit sind Originalersatzteile für den ordnungsgemäßen Betrieb des Kühlschranks verfügbar.

Die Mindestgarantiedauer für den von Ihnen gekauften Kühlschrank beträgt 24 Monate.

Dieses Produkt ist mit einer Lichtquelle der Energieklasse "G" ausgestattet.

Die Lichtquelle in diesem Produkt darf nur von einer professionellen Reparaturwerkstatt ausgetauscht werden.