



User manual Washing machine

HW100-B14667U1



Download
the hOn
Smart-Home App.



EN

Haier

Thank you for purchasing a Haier Product.

Please read these instructions carefully before using this appliance. The instructions contain important information which will help you get the best out of the appliance and ensure safe and proper installation, use and maintenance.

Keep this manual in a convenient place so you can always refer to it for the safe and proper use of the appliance.

If you sell the appliance, give it away, or leave it behind when you move house, make sure you also pass this manual so that the new owner can become familiar with the appliance and safety warnings.

Legend



Warning – Important Safety information



General information and tips



Environmental information

Disposal



Help protect the environment and human health. Put the packaging in applicable containers to recycle it. Help to recycle waste of electrical and electronic appliances. Do not dispose appliances marked with this symbol with the household waste. Return the product to your local recycling facility or contact your municipal office.



WARNING!

Risk of injury or suffocation!

Disconnect the appliance from the mains supply. Cut off the mains cable and dispose of it. Remove the door catch to prevent children and pets to get closed in the appliance.

1-Safety information.....	4
2-Product description.....	7
3-Control panel	8
4-Programmes.....	12
5-Consumption.....	13
6-Daily use	14
7-hOn App.....	19
8-Eco-friendly washing	22
9-Care and cleaning	23
10-Troubleshooting	26
11-Installation.....	29
12-Technical data.....	33
13-Customer service.....	34

Before switching on the appliance for the first time read the following safety hints!



WARNING!

Before first use

- ▶ Make sure there is no transport damage.
- ▶ Make sure all transport bolts are removed.
- ▶ Remove all packaging and keep out of children's reach.
- ▶ Handle the appliance always with at least two persons because it is heavy.

Daily use

- ▶ This appliance can be used by children aged from 8 years and above and persons with reduced physical, sensory or mental capabilities or lack of experience and knowledge if they have been given supervision or instruction concerning use of the appliance in a safe way and understand the hazards involved.
- ▶ Keep away children under 3 years of age from the appliance unless they are constantly supervised.
- ▶ Children shall not play with the appliance.
- ▶ Do not let children or pets come close to the appliance when the door is open.
- ▶ Store washing agents out of reach of children.
- ▶ Pull up zips, fix loose threads and take care for small items to prevent laundry from being entangled. If necessary, use an appropriate bag or net.
- ▶ Do not touch or use the appliance when barefoot or with wet or damp hands or feet.
- ▶ Do not cover or encase the appliance during operation or afterwards to allow any moisture or dampness to evaporate.
- ▶ Do not place heavy objects or sources of heat or damp on top of the appliance.
- ▶ Do not use or store flammable detergent or dry cleaning agent in close vicinity to the appliance.
- ▶ Do not use any flammable sprays in close vicinity to the appliance.
- ▶ Do not wash any garments treated with solvents in the appliance without having dried them previously in the air.

**WARNING!****Daily use**

- ▶ Do not remove or insert the plug in the presence of flammable gas.
- ▶ Do not hot wash foam rubber or sponge-like materials.
- ▶ Do not wash any laundry which is polluted with flour.
- ▶ Do not open detergent drawer during any wash cycle.
- ▶ Do not touch the door during the washing process, it gets hot.
- ▶ Do not open the door if the water level is visibly over the porthole.
- ▶ Do not force the door to open. The door is fitted with a self-lock device and will open shortly after the washing procedure is ended.
- ▶ Switch off the appliance after each wash programme and before undertaking any routine maintenance and disconnect the appliance from the electrical supply to save electricity and for safety.
- ▶ Hold the plug, not the cable, when unplugging the appliance.

Maintenance / cleaning

- ▶ Make sure children are supervised if they carry out cleaning and maintenance.
- ▶ Disconnect the appliance from the electrical supply before undertaking any routine maintenance.
- ▶ Keep the lower part of the porthole clean and open door and detergent drawer if appliance is not in use to prevent odours.
- ▶ Do not use water spray or steam to clean the appliance.
- ▶ Replace a damaged supply cord only by the manufacturer, its service agent or similarly qualified persons in order to avoid a hazard.
- ▶ Do not try to repair the appliance by yourself. In case of repair please contact our customer service.
- ▶ Remove all foreign objects such as metal objects, chemicals, fragile goods, lighted candles, lighted cigarettes, etc. from the appliance.

Installation

- ▶ The appliance should be placed in a well-ventilated place. Ensure a location which allows opening the door fully.
- ▶ Never install the appliance outdoors in a damp place, or in an area which may be prone to water leaks such as under or near a sink unit. In the event of a water leak cut power supply and allow the machine to dry naturally.



WARNING!

Installation

- ▶ Install or use the appliance only where the temperature is above 5 °C.
- ▶ Do not place the appliance directly on a carpet, or close to a wall or furniture.
- ▶ Do not install the appliance in direct sunlight or in the near of heat sources(e.g. stoves, heaters).
- ▶ Make sure that the electrical information on the rating plate agrees with the power supply. If it does not, contact an electrician.
- ▶ Do not use multi-plug adapters and extension cables.
- ▶ Make sure only the delivered electric cable and hose set are used.
- ▶ Make sure not to damage the electric cable and the plug. If damaged have it replaced by an electrician.
- ▶ Use a separate earthed socket for the power supply which is easy accessible after installation. The appliance must be earthed.
Only for UK: The appliance's power cable is fitted with 3-cord (grounding) plug that fits a standard 3-cord (grounded) socket. Never cut off or dismount the third pin (grounding). After the appliance is installed, the plug should be accessible.
- ▶ Make sure the hose joints and connections are firm and there is no leakage.

Intended use

This appliance is intended for washing machine-washable laundry only. Anytime follow the instructions given on the label of each garment label. It is designed exclusively for domestic use inside the house. It is not intended for commercial or industrial use.

Changes or modifications to the device are not allowed. Unintended use may cause hazards and loss of of all warranty and liability claims.

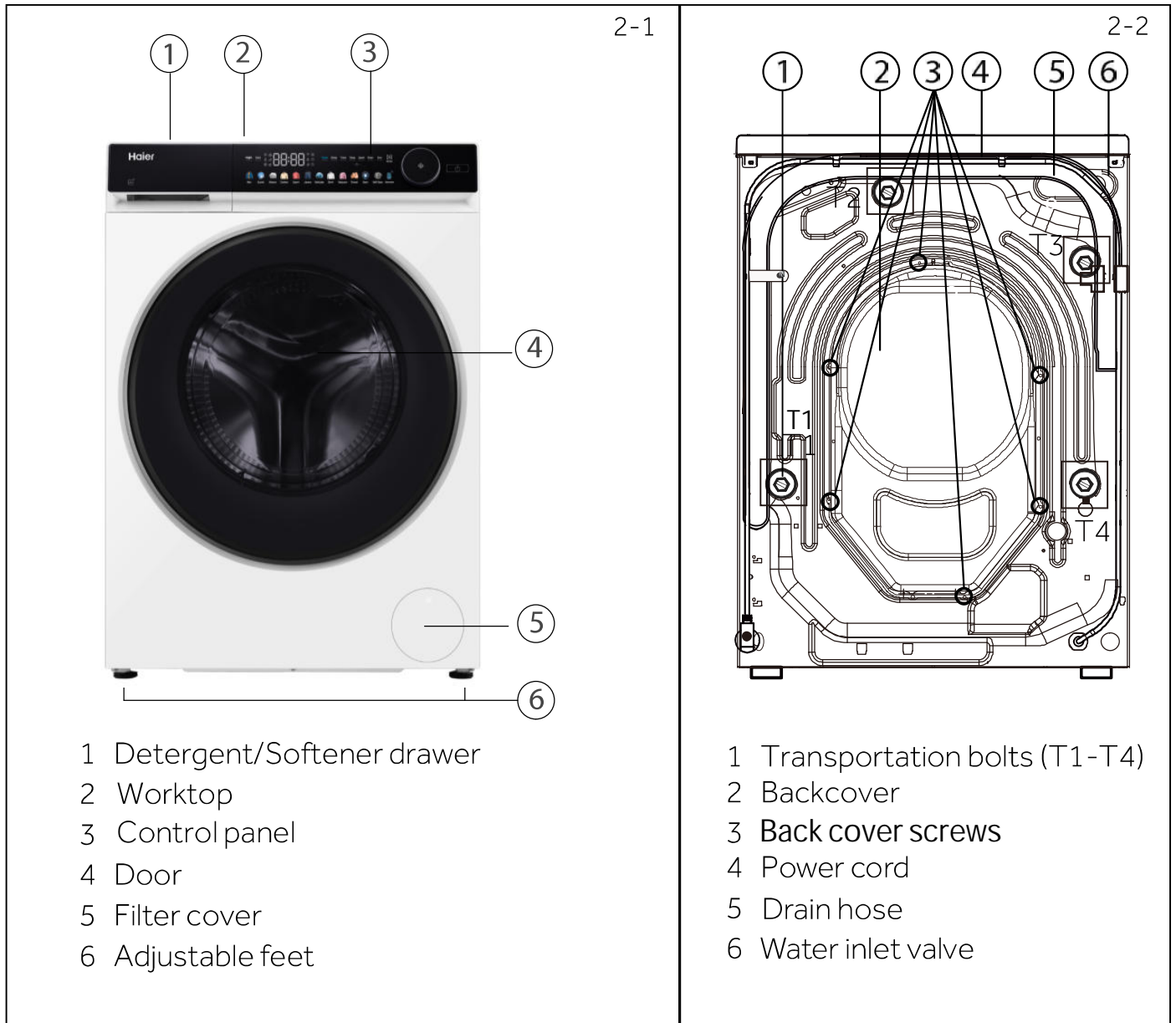
i Note:

Due to technical changes and different models, the illustrations in the following chapters may differ from your model.

2.1 Picture of appliance.

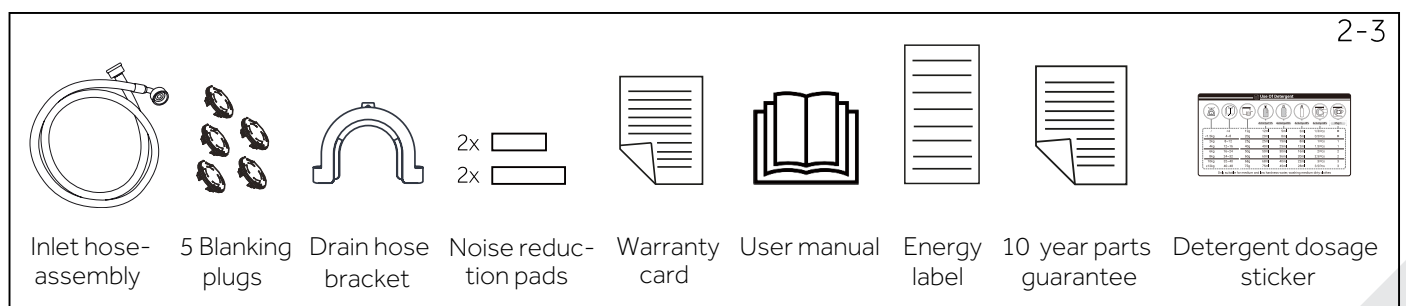
Front (Fig. 2-1):

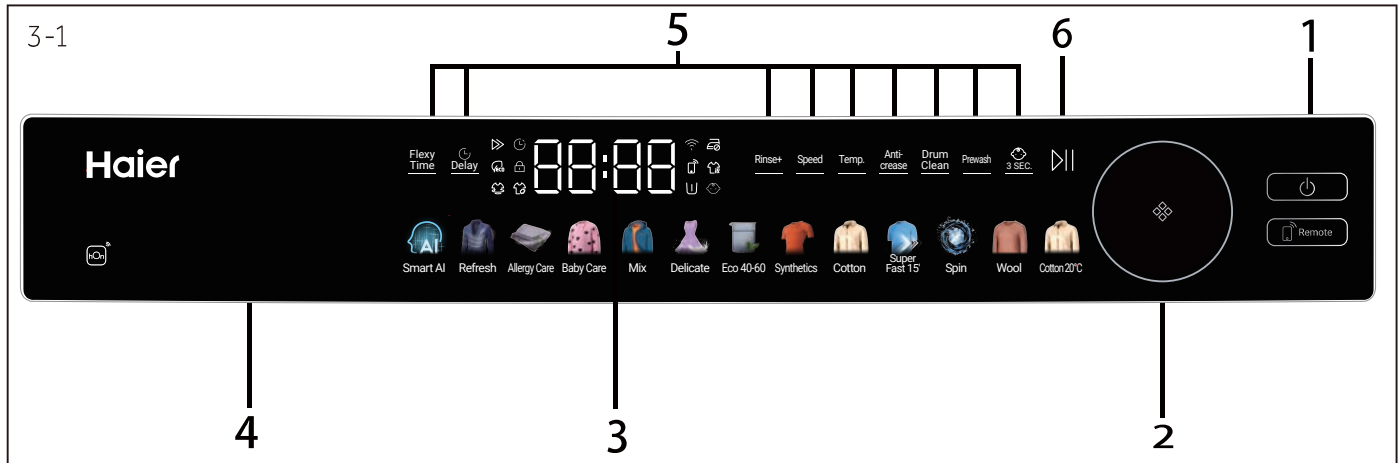
Rear side (Fig. 2-2):



2.2 Accessories

Check the accessories and literature in accordance with this list (Fig. 2-3):





- 1 "Power" button
- 2 Programme selector
- 3 Display
- 4 Detergent /Softener drawer
- 5 Function buttons
- 6 "Start/Pause" button

i Note : Acoustic signal

In following cases, an acoustic signal is no sounds by default:

- ▶ when pressing a button
- ▶ when turning the programmes selector
- ▶ at the end of programme

The acoustic signal can be selected if necessary ; see DAILY USE(see P18 6.13).

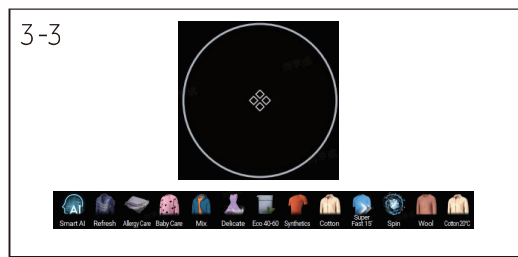


3.1 "Power" button

Touch this button (Fig. 3-2) gently to switch on, the display is shining, the indicator of the "Start/Pause" button is flashing. touch it again for about 2seconds to switch off. If no panel element or programme is activated after a while machine will shut down automatically.

i Note: Power off

Without Wi-Fi connection, the switched-on appliance automatically powers off if it is not activated within 2 minutes before starting the programme or at the end of the programme. With Wi-Fi connection, the waiting time duration is 24h.



3.2 Programme selector











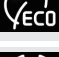
By turning the knob (Fig. 3-3) one of programmes can be selected, related LED will light up, its default settings will be displayed.

3.3 Display

The display (Fig. 3-4) shows following information:

- ▶ Washing time
- ▶ End time delay
- ▶ Error codes and service information
- ▶ Display symbols
- ▶ Speed, Temperature, etc



Symbol	Meaning
	Delay.
	Prewash.
	Drum door is locked.
	Control panel is locked.
	Appliance is connected to Wi-Fi.
	Anti-crease.
	Remote.
	Steam:Smart AI,Allergy Care,Baby Care have steam washing function by default.
	Time saving.
	Energy saving.
	Intensive.

3.4 Function buttons

The function buttons (Fig. 3-5) enable additional options in the selected programme before programme starts. The related indicators are displayed.

By switching off the appliance or setting a new programme, all options are disabled.

If a button has multiple options, the desired option can be selected by touching the button sequentially.



Note: Factory settings

To get best results in each programme Haier has well defined specific default settings. If there is no special requirement default settings are recommended.

3.4.1 Function button "Flexy Time"

Touch this button (Fig.3-6) to select time saving(Reduce main wash time and speed up washing), energy saving(Reduce washing water temperature to reduce power consumption) or Intensive (Increase the main washing time and strengthen the washing result).



3.4.2 Function button "Delay"

Touch this button (Fig.3-7) to start the programme with a delay. End time delay could be increased in steps of 30 minutes from 0,5 -24h (End time will longer than original programme time). For example display off 6:30 means end of programme cycle will be in 6 hours and 30 minutes. Touch "Start/Pause" button to activate the time delay. It is not applicable to programme Spin, Refresh.

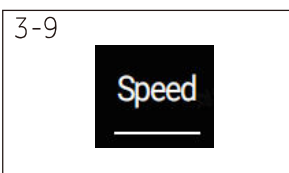
i Note: Liquid detergent

If using liquid detergent, it is not recommended to activate the end time delay.



3.4.3 Function button "Rinse+"

Touch this button (Fig.3-8) to rinse the laundry more intense with fresh water. This is recommended for people with sensitive skin. By touching the button several times zero to three additional cycles can be selected. They appear in the display with P--0/ P--1/P--2/P--3. Different programme options are different.



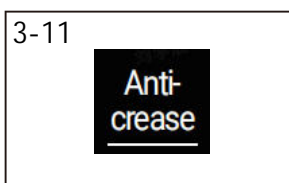
3.4.4 Function button "Speed"

Touch this button (Fig. 3-9) to change or deselect the spin of the programme. If no value is illuminated the display "0" the laundry will not spin.



3.4.5 Function button "Temp."

Touch this button (Fig.3-10) to change the washing temperature of the programme. If no value is illuminated(the display "--") the water will not be heated.



3.4.6 Function button "Anti-crease"

For those programmes that can select "Anti-crease" function (Fig.3-11), touch "Anti-crease" button to select this function and the corresponding icon will light up. Touch again or select another programme, this feature will be cancelled.

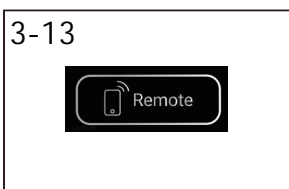
Under "Anti-crease" function, the max spin speed will decrease. After spin, the washing machine keeps intermittent operation to shake off the clothes to prevent mildew and odor, reduce wrinkles and make them smoother after hanging up.

During operation, the LED display will show " - " " -- " " --- " " ---- " " ----- ", and this phase lasts for 12 hours at most, users can touch "Start/ Pause" to terminate the programme at any time.



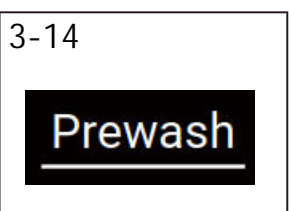
3.4.7 Function button "Drum Clean"

Touch this button (Fig.3-12) to clean the inner and outer cylinders of washing machines, and different cleaning modes can be selected in different usage scenarios. Do not add any detergent while running this mode and make sure there are no clothes in the drum.



3.4.8 Function button "Remote"

Shortly press this button (Fig. 3-13) to activate the Remote Control. More information, please see the dedicated "hOn App" chapter 7.



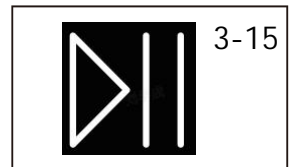
3.4.9 Function button "Prewash"

Touch this button (Fig.3-14) the Prewash programme can be selected. When selecting this function, you need to add a little detergent in the Prewash area in advance (pay attention to the detergent should not exceed 30g). Mix, Cotton, Synthetics, Cotton 20°C, Eco 40-60 can select this function, when you select the Prewash function, the icon will light up.


3.4.9 Function button "Start/Pause"

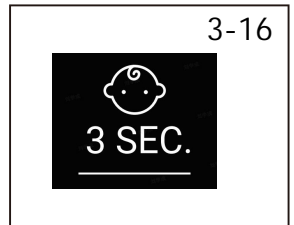
Touch this button (Fig.3-14) gently to start or interrupt the currently displayed programme.

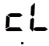
When the machine is running, please touch again the two buttons. The child lock indicator



3.5 Child lock

Choose a programme and then start, touch button " 3 SEC " (Fig. 3-15) for 3 seconds simultaneously to block all panel elements against activation, panel display . For unlocking please touch again the button " 3 SEC ". The child lock indicator lights up when the child lock works. Feature is optional when the machine is running.



The display shows  (Fig. 3-16) if a button will be touched when the child lock is activated. The change is not running.



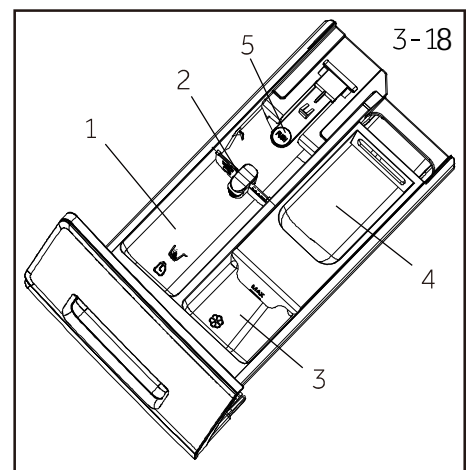
Note: Child lock

- ▶ The child lock which is set up manually must be cancelled manually or will be cancelled automatically at the end of the programme. Power off and error information won't cancel child lock. It still works when the appliance is powered on next time.
- ▶ If you use the child lock, first press the program key, then the child lock will be on.
- ▶ Hold it for 3 seconds, the child lock will turn to full light and the child lock will be activated.
- ▶ Child lock can't be set up or cancelled through hOn App.

3.6 Detergent drawer

Open dispenser drawer, the following components can be seen (Fig. 3-17):

- 1: The main washing compartment, for powder or liquid detergent.
- 2: Detergent flap selector: lift it up for powder detergent, keep it down for liquid detergent.
- 3: Compartment for softener.
- 4: Pre-wash compartment, for a small amount of powder detergent.
- 5: Lock tab, press it down to pull out dispenser drawer.

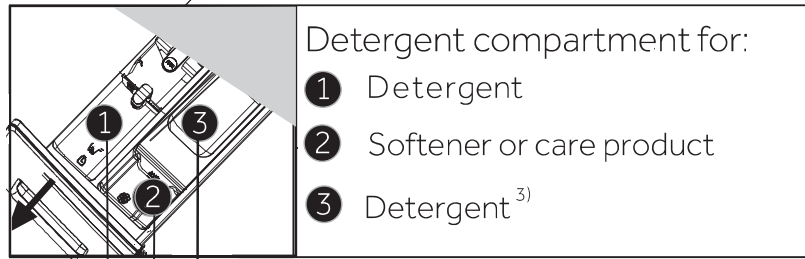


The recommendation on the type of detergents is suitable for the various washing temperatures, please refer to the manual of detergent.

Note: The procedure to check the number of cycles that the machine has run.

Procedure: under standby mode, select "Cotton" programme first, then press "Temp." and "Speed" at the same time, it will display the number of running cycles for 2 seconds, and then back to standby interface. The cumulative running cycles will add 1 after the programme ends. The running cycles will be displayed in hexadecimal if it is over 9999.

• Yes, ◦ Optional, / No



Programme	Max.Load in kg HW100	Temperature in °C ¹⁾ selectable range	Preset	Detergent compartment for:			Fabrics type	Prese spin speed in rpr	Function						Anti-crease	Default duration	
				1	2	3			Flexy Time	Delay	Rinse+	Anti-crease	Drum Clean	Remote			
Smart AI	10	-- to 60	40	•	◦	/	Lightly soiled mixed-laundry of cotton and synthetic	1000	◦	◦	◦	◦	◦	◦	◦	/	1:18
Refresh	1	/	/	/	/	/	Cotton/synthetics	/	/	/	/	/	◦	◦	/	0:18	
Allergy Care	10	-- to 90	60	•	◦	◦	Cotton/synthetics	1000	◦	◦	◦	◦	◦	◦	◦	1:47	
Baby Care	5	-- to 90	60	•	◦	◦	Cotton/synthetics	1000	◦	◦	◦	◦	◦	◦	◦	1:47	
Mix	10	-- to 60	30	•	•	◦	/	1000	◦	◦	◦	◦	◦	◦	◦	1:10	
Delicate	2	-- to 30	30	•	◦	/	Delicate laundry and silk	600	◦	◦	◦	/	◦	◦	/	0:47	
Eco 40-60	10	-- to 60	40	•	◦	/	/	1400	◦	◦	◦	◦	◦	◦	◦	2:43	
Synthetics	5	-- to 60	40	•	◦	◦	Synthetic or mixed fabric	1200	◦	◦	◦	◦	◦	◦	◦	2:07	
Cotton	10	-- to 90	40	•	◦	◦	Cotton	1400	◦	◦	◦	◦	◦	◦	◦	3:08	
Super Fast 15' ²⁾	1	--to 40	--	•	◦	/	Cotton/synthetics	1000	/	◦	◦	◦	◦	◦	/	0:15	
Spin	10	/	/	/	/	/	Not-fragile fabric	1000	/	/	/	/	◦	◦	/	0:08	
Wool	1	--to 40	--	•	◦	/	Machine-washable fabric made of wool or with wool content	800	/	◦	◦	/	◦	◦	/	0:40	
Cotton 20°C	10	/	/	•	◦	◦	Cotton	1000	◦	◦	◦	◦	◦	◦	◦	0:53	

-- Water is not heated up.

1) Choose 90°C wash temperature only for special hygienic requirements.

2) Reduce detergent amount because programme duration is short.

3) A little detergent can be added to the pre-wash compartment only when the pre-wash function is activated (note: powder detergent should not exceed 30g).

When washing heavy loads, the washing machine may vibrate greatly or move if clothes are wrapped. The design and specifications are subject to change without notice for quality improvement purposes.

Scan QR code on energy label for energy consumption information.






The actual energy consumption may differ from the declared one according to local conditions.



Note: Auto Weight

The appliance is equipped with a loading recognition. At low loading, energy, water and washing time will be reduced automatically in some programmes. The display default time may vary depending on the load weight, involving the "Smart AI, Synthetics, Cotton, Cotton 20°C, Eco 40-60" programme.

Indicative information(as per Commission Regulation (EU) 2019/2023):

Rated Capacity	Programme			ENERGY 		Max. Temperature	Effective Speed	
		(kg)	(HH:MM)	(kWh/cycle)	(L/cycle)	(°C)	(RPM)	Residual Moisture (%)
10kg	Eco 40-60	10	3:58	0.490	67	27	1330	53.0
	Eco 40-60	5	2:58	0.3	43	25	1330	53.0
	Eco 40-60	2.5	2:48	0.195	30	25	1330	55.0
	Cotton 20°C	10	0:53	0.250	85	20	1000	65.0
	Cotton 60°C	10	3:28	2.500	85	57	1400	53.0
	Synthetics40°C	5	2:07	0.900	70	40	1200	37.0
	Super Fast 15'30°C	1	0:28	0.250	38	30	1000	65.0

Except Eco 40-60, the value given for each programme is only an indicative one.

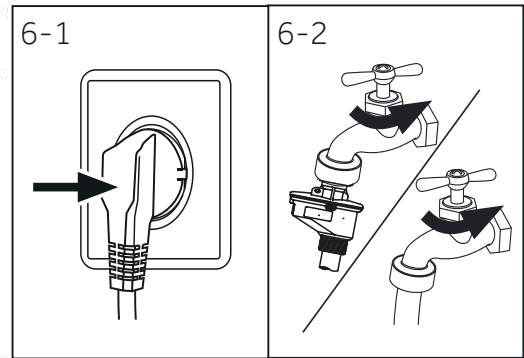
More Energy Labelling information as defined in Regulation (EU) 2019/2014 can be found via <https://eprel.ec.europa.eu/> by searching for the model identifier reported in the field Model of the product label affixed on the product.

6.1 Power supply

Connect the washing machine to a power supply (220V to 240V~/50Hz; Fig. 6-1). Please refer also to section installation (see P29).

6.2 Water connection

- ▶ Before connecting check the cleanliness and clarity of the water inlet.
- ▶ Turn on the tap (Fig.6-2).

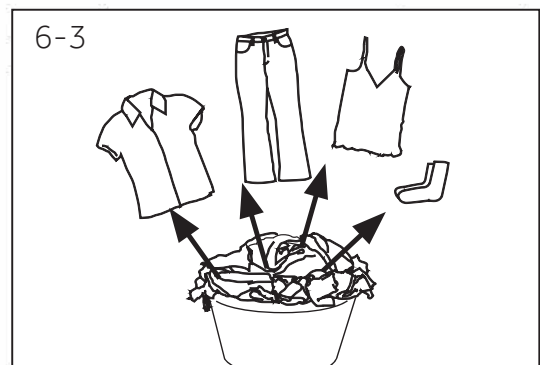


i Note: Tightness

Before use check for leakage in the joints between the tap and the inlet hose by turning on the tap.

6.3 Preparing laundry

- ▶ Sort out clothes according to fabric (cotton, synthetics, wool or silk etc.) and how dirty they are (Fig. 6-3). Pay attention to the care labelling of washing labels.
- ▶ Separate white clothes from coloured ones. Wash coloured textiles first by hand to check if they fade or run.
- ▶ Empty pockets (keys, coins, etc.) and remove harder decorative objects (e.g. brooches).
- ▶ Garments without hems, delicates and finely woven textile such as fine curtains are to be put into a wash bag to care for this delicate laundry (hand or dry cleaning would be better).
- ▶ Close zippers, velco fastener and hooks, make sure the buttons are sewn on tightly.
- ▶ Place sensitive items like laundry without firm hem, delicate underwear and small items such as socks, belts, bras, etc. in a wash bag.
- ▶ Unfold large pieces of fabric such as bed sheets, bedspreads etc.
- ▶ Turn jeans and printed, decorated or color-intensive textiles inside out; possibly wash separately.



! CAUTION!

Non-textile, as well as small, loose or sharp-edged items may cause malfunctions and damage of clothes and appliance.

Care chart

Washing		
 Washable up to 95°C normal process	 Washable up to 60°C normal process	 Washable up to 60°C mild process
 Washable up to 40°C normal process	 Washable up to 40°C mild process	 Washable up to 40°C very mild process
 Washable up to 30°C normal process	 Washable up to 30°C mild process	 Washable up to 30°C very mild process
 Wash by hand max. 40°C	 Do not wash	
Bleaching		
 Any bleaching allowed	 Only oxygen/non-chlorine	 Do not bleach
Drying		
 Tumble drying possible normal temperature	 Tumble drying possible lower temperature	 Do not tumble dry
 Line drying	 Flat drying	
Ironing		
 Iron at a maximum temperature up to 200 °C	 Iron at a medial temperature up to 150°C	 Iron at a low temperature up to 110 °C; without steam (steam ironing may cause irreversible damage)
 Do not iron		
Professional Textile Care		
 Dry cleaning in tetra-chloroethene	 Dry cleaning in hydrocarbons	 Do not dry clean
 Professional wet clean	 Do not professional wet clean	

Not all of these symbols are displayed in the appliance menu.

6.4 Loading the appliance

- ▶ Put in the laundry piece by piece.
- ▶ Don't overload. Note the different maximum load according to programmes! Rule of thumb for maximum load: Keep six inches between load and drum top.
- ▶ Close the door carefully, ensuring no pieces of laundry get caught.

6.5 Selecting detergent

- ▶ Washing efficiency and performance is determined by used detergent quality.
- ▶ Use only machine wash approved detergent.
- ▶ If needed use specific detergents, e.g synthetic and woolen fabric.
- ▶ See tips for countertop detergent stickers.
- ▶ Do not use dry cleaning agents such as trichloroethylene and similar products.

Choose the best detergent

Programme	Kind of detergent				
	Universal	Colour	Delicate	Special	Softener
Smart AI	√	√	-	-	√
Refresh	-	-	-	-	-
Allergy Care	-	-	√	√	√
Baby Care	-	-	√	√	√
Mix	√	√	-	-	√
Delicate	-	-	√	√	√
Eco 40-60	√	√	-	-	√
Synthetics	√	√	-	-	√
Cotton	√	√	-	-	√
Super Fast 15'	√	√	-	-	√
Spin	-	-	-	-	-
Wool	-	-	√	√	√
Cotton 20 °C	√	√	-	-	√

√=Recommended - = Not recommend

If using liquid detergent, it is not recommended to activate the time delay.

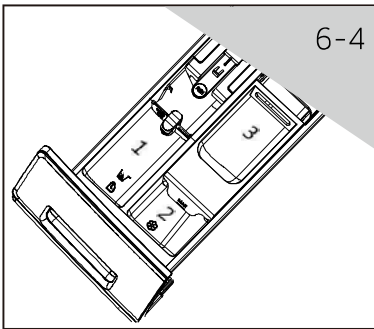
We recommend by using:

- ▶ Laundry powder: 20°C to 90°C* (best use: 40-60°C)
- ▶ Color detergent: 20°C to 60°C (best use: 30-60°C)
- ▶ Wool/delicate detergent: 20°C to 30°C (best use: 20-30°C)

* Choose 90 °C wash temperature only for special hygienic requirements.

* If you choose the water temperature 60°C or above, we would like to advise you to use less detergent. Please kindly use the special disinfectant, which is suitable for cotton or synthetic cloth.

* It is better to use less or free suds detergent powder.



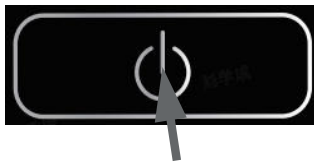
6.6 Adding detergent

1. Slide out the detergent drawer.
2. Put the required chemicals into corresponding compartments (Fig. 6-4).
3. Push back the drawer gently.



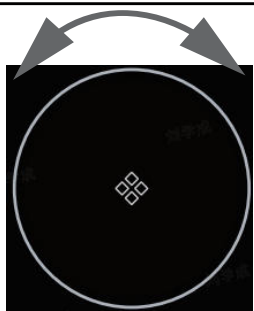
Note:

- ▶ Remove detergent residues before next wash cycle from the detergent drawer.
- ▶ Do not overuse detergent or softener.
- ▶ Please follow the instruction on the detergent package.
- ▶ Always fill the detergent just before the beginning of the wash cycle.
- ▶ Concentrated liquid detergent should be diluted before adding.
- ▶ Do not use liquid detergent if function "Delay" is selected.
- ▶ Carefully choose the programme settings according to the care symbols on all laundry labels and according to the programme table.



6.7 Switch on the appliance

Touch the "Power" button to switch on the appliance (Fig. 6-5). The LED of the "Start/Pause" button is flashing.



6.8 Select a programme

To get the best washing results, select a programme which fits the degree of soiling and sort of laundry type.

Turn the programme knob (Fig. 6-6) to select the right programme. Related programme LED lights up and the default settings are displayed.



Note: Odour removal

Before first use we recommended to run programme "Drum Clean" with no load to remove possibly corruptive residues. If necessary, add small amount of special machine cleaner in washing agent compartment (3) or directly put it into the bucket.

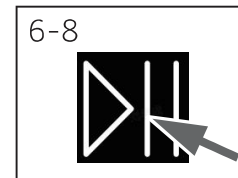


6.9 Add individual selections

Select required options and settings (Fig. 6-7); refer to Control Panel.

6.10 Start wash programme

Touch "Start/Pause" button (Fig. 6-8) to start. The LED of the "Start/Pause" button stops flashing and lights up continuously. Appliance operates according to present settings. Changes are only possible by cancelling the programme.



6.11 Interrupt / cancel wash programme

To interrupt a running programme touch gently "Start/Pause". The LED above the button is flashing. touch it again to resume operation.

To cancel a running programme and all its individual settings:

1. Touch "Start/Pause" button to interrupt the running programme.
2. Touch "Power" button for about 2 seconds to switch the appliance off.
3. Touch the "Power" button to turn on the appliance, select programme Spin and "no Speed", run programme Spin to drain the water.
4. After closing the programm to restart the appliance, select a new programme and start it.

6.12 After washing

Note: Door lock

- ▶ For safety reasons the door is locked partially during the washing cycle. It is only possible to open the door at the end of the programme or after the programme was cancelled correctly (see description above).
- ▶ In case of high water level, high water temperature and during spinning it is not possible to open the door; **Lock** is displayed.

1. At programme cycle end **End** is displayed.
2. The appliance switches off automatically.
3. Remove laundry as soon as possible to go easy on it and to prevent more wrinkling.
4. Turn off the water supply.
5. Unplug the power cord.
6. Open the door to prevent formation of moisture and odours. Let it open while not used.
7. Small clothes are easy to stick to the wall after high-speed swing drying, please do not omit when opening the door to pick up clothes.

Note: Standby-mode / energy-saving mode

The switched on appliance will go into standby-mode if it will not be activated within 2 minutes before starting the programme or at the end of programme. The display switches off. This saves energy. To interrupt the standby-mode touch "Power" button.

6.13 Activate or deactivate the buzzer

The acoustic signal can be selected if necessary:

1. Switch on the appliance.
2. Select the Mix programme.
3. Touch the "Anti-crease" button and "Rinse+" button at the same time for about 3 seconds. **OFF** will be displayed and the buzzer will be deactivated.

For activating the buzzer touch these two buttons at the same time again. **ON** will be displayed.

7.1 General Information

This appliance is equipped with Wi-Fi technology for remote control via the hOn app.



WARNING!

Follow the safety precautions indicated in this manual even when using the appliance through the app. Adhering to these instructions is essential for safe use.

7.2 Requirements

1. Wi-Fi Network: A router compatible with 802.11b/g/n and 2.4 GHz band is required. Networks operating at 5 GHz and public networks are not supported. The network name (SSID) must be between 1 and 31 characters, and the password between 8 and 64 characters. Encryption options include open, WPA-PSK, and WPA2-PSK.
2. Compatible Devices: The app is available for Android, iOS, and Huawei devices, on both tablets and smartphones.
3. Positioning: Install the appliance in an area with a strong Wi-Fi signal.

Wi-Fi Technical Specifications:

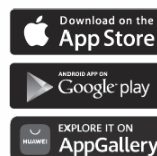
- Frequency: 2400 MHz - 2483.5 MHz
- Max Power: 20 dBm
- Standard: IEEE802.11b/g/n & Bluetooth® Low Energy v4.2¹⁾

7.3 Download and Installation of the hOn App

1. Download the app by scanning the QR code below or visiting go.haier-europe.com/download-app.



Download the
hOn App



Note: Registration

Creating a profile (sign up) is only required on first use or if the account has been deleted/disabled. For future uses, simply log in with your mail and password. Check the DEMO mode in the app to explore the Wi-Fi features.

1) The Bluetooth® word mark and logos are registered trademarks owned by Bluetooth SIG, Inc., and any use of such marks by Candy Hoover Group Srl is under license. Other trademarks and trade names belong to their respective owners.



7.4 Appliance Pairing

Note:

The home network must be set to 2.4 GHz; networks operating at 5 GHz are not supported. Ensure your smartphone is connected to the same 2.4 GHz Wi-Fi network you want to use to configure the appliance.

1. Open the hOn app, create a new profile (or log in if you already have one).
2. Tap "Add Appliance" and follow the on-screen instructions on your smartphone to complete the setup.



7.5 Remote Control activation

1. Ensure the router is powered on and connected to the Internet.
2. Load the laundry and close the door.
3. Turn on the appliance.
4. Short press the Remote  button. The door will lock.
5. Start the cycle through the app. The control panel will be disabled, except for the "POWER" and "START/PAUSE" buttons. Only the child lock will be available during the program.
6. Remote control can also be activated during the cycle by short pressing the Remote  button.

Note: Remote Control Expiration

You can send a command from the app up to 24 hours after Remote Control is enabled.

7.6 Remote Control deactivation


1. During a cycle, you can deactivate Remote Control by short pressing the Remote  button; the cycle will continue. You can view the cycle status in the app but won't be able to send commands (e.g., stop/pause).
2. If safety conditions permit, the door can be opened.
3. To resume remote control through the app, make sure the door is closed, then short press the Remote  button again.

7.7 End of Cycle with Remote Control

1. At the end of the cycle, the door unlocks, and Remote Control is deactivated.
2. After 2 minutes, the appliance will automatically power off.

7.8 Turning Off Wi-Fi Module and Clearing Network Credentials

To delete the saved Wi-Fi network information and turn off the Wi-Fi module:

1. Power on the appliance.
2. Without starting any cycle, press and hold the Remote  button for 5 seconds until "rEst" appears.
3. Press and hold the "Delay" button for another 5 seconds until "donE" appears.
4. The configuration information will be deleted. Select a program or turn off the appliance to exit.
5. To reconfigure, remove the appliance from the hOn app and start a new pairing procedure.



Note:

Use this procedure only if you intend to sell the appliance.



Environmentally responsible use

- ▶ To achieve best use of energy, water, detergent and time you should use the recommended maximum load size.
- ▶ Do not overload (hand width clearance above laundry).
- ▶ For slightly soiled laundry select the Super Fast 15' programme.
- ▶ Apply exact dosages of each washing agent.
- ▶ Choose the lowest adequate washing temperature-modern detergents are efficiently cleaning below 60°C.
- ▶ Raise default settings only due to heavy staining.



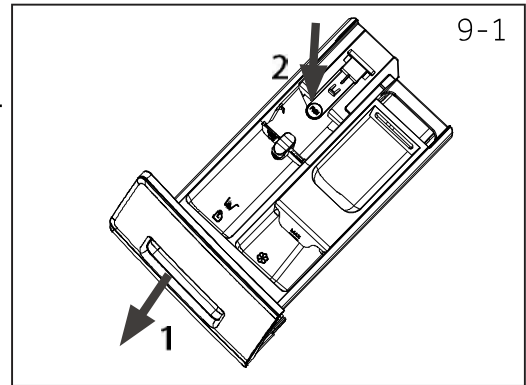
General information:

- ▶ The Eco 40-60 programme is able to clean normally soiled cotton laundry declared to be washable at 40 °C or 60 °C, together in the same cycle, and that this programme is used to assess the compliance with the EU ecodesign legislation;
- ▶ The most efficient programmes in terms of energy consumption are generally those that perform at lower temperatures and longer duration;
- ▶ Noise and remaining moisture content are influenced by the spinning speed: the higher the spinning speed in the spinning phase, the higher the noise and the lower the remaining moisture content.
- ▶ Loading the household washing machine or the household washer-dryer up to the capacity indicated by the manufacturer for the respective programmes will contribute to energy and water savings;

9.1 Cleaning the detergent drawer

Take always care there are no detergent residues. Clean the drawer regularly (Fig. 9-1):

1. Pull out the drawer until it stops.
2. Press the release button and remove the drawer.
3. Wipe the inside of the sink clean with a towel.
4. Flush the drawer with water until it is clean and insert the drawer back in the appliance.



9.2 Cleaning the machine

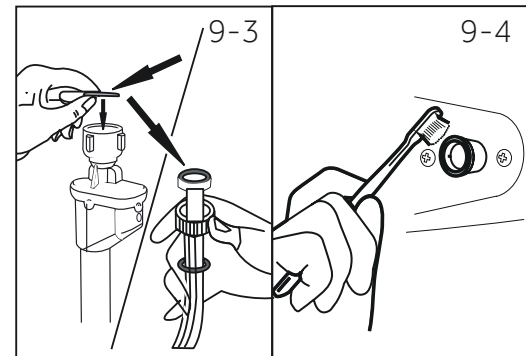
- ▶ Unplug the machine during cleaning and maintenance.
- ▶ Use a soft cloth with soap liquid to clean the machine case (Fig. 9-2) and rubber components.
- ▶ Do not use organic chemicals or corrosive solvents.



9.3 Water inlet valve and inlet valve filter

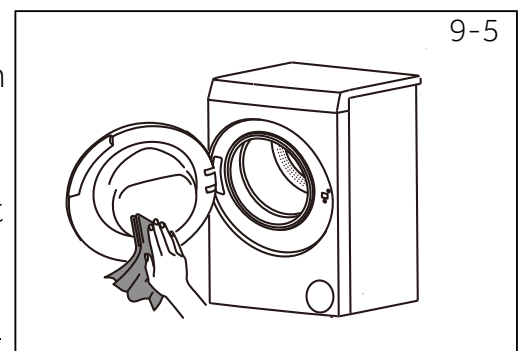
To prevent blockage of water supply by solid substances like lime clean regularly the inlet valve filter.

- ▶ Unplug the power cord and turn off the water supply.
- ▶ Unscrew the water inlet hose at the back (Fig. 9-3) of the appliance as well as on the tap.
- ▶ Flush the filters with water and a brush (Fig. 9-4).
- ▶ Insert the filter and install the inlet hose.
- ▶ Turn on the tap to see if it leaks.



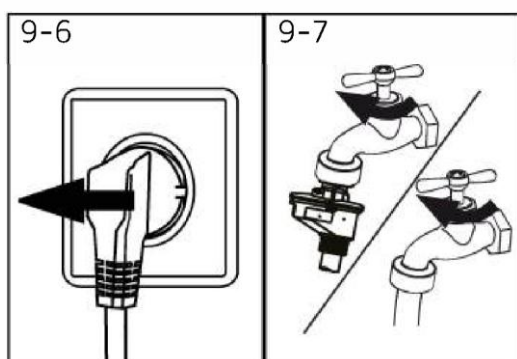
9.4 Cleaning the drum

- ▶ Remove accidentally washed items, especially metal parts such as pins, coins, etc. from the drum and the groove of the door gasket (rubber ring) because they cause rust stains and damage.
- ▶ Use a non-chloride cleaner for removing rust stains. Observe the warning hints of the cleaning agent manufacturer.
- ▶ Do not use any hard objects or steel wool for cleaning.
- ▶ After the procedure, open the door, use a towel to clean the stains and foam around the gasket, and keep the inside and outside of the gasket clean (Fig. 9-5).



Note: Hygiene

For regular maintenance, we recommend running the programme "DrumClean" within 50 cycles to avoid possible corrosive residues. If necessary, add small amount of special machine cleaner in washing agent compartment (3) or directly put it into the bucket.

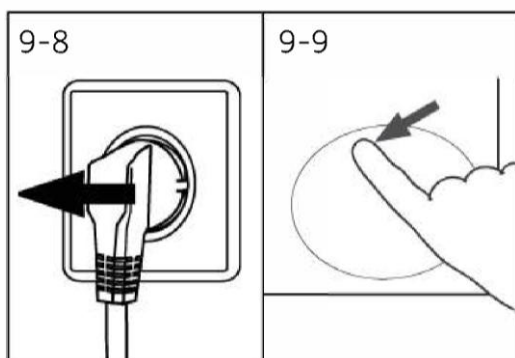


9.5 Long periods of disuse

If the appliance is left idle for a longer period:

1. Pull out the electrical plug (Fig. 9-6).
2. Turn off water supply (Fig. 9-7).
3. Open the door to prevent formation of moisture and odours. Let door open while not used.

Before next usage check carefully power cord, water inlet and drain hose. Make sure everything is properly installed and without leakage.



9.6 Pump filter

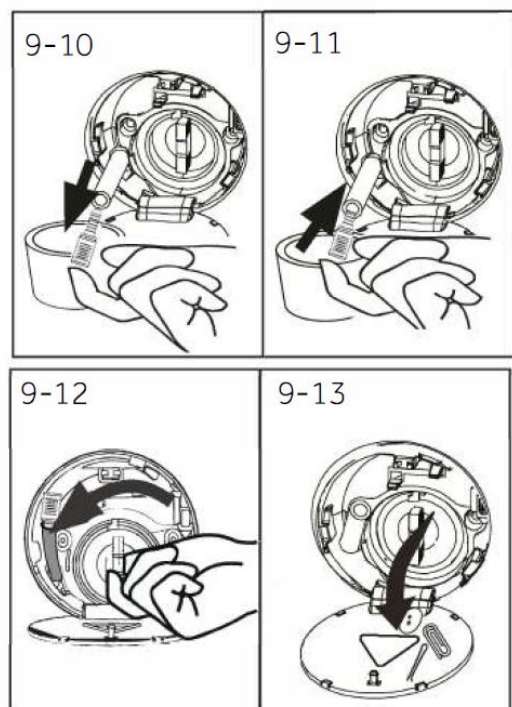
Clean the filter once a month and check the pump filter for instance if the appliance:

- ▶ Doesn't drain the water.
- ▶ Doesn't spin.
- ▶ Cause unusual noise while running.



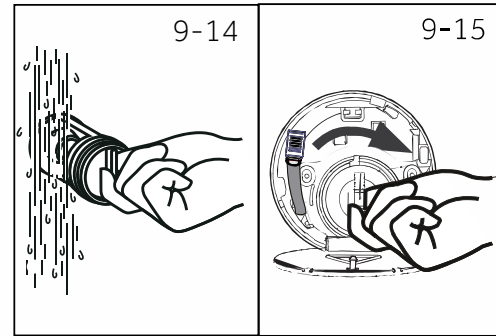
WARNING!

Scalding Risk! Water in the pump filter can be very hot! Before any action please ensure water has cooled down.



1. Turn off and unplug the machine (Fig. 9-8).
2. Push and open service flap (Fig. 9-9).
3. Provide a flat container to catch leach water (Fig. 9-10). There could be bigger amounts!
4. Pull the drainhose out and hold its end above the container (Fig. 9-10).
5. Take the sealing plug out of the drainhose (Fig. 9-10).
6. After complete drainage close drainhose (Fig. 9-11), and push it back into the machine.
7. Unscrew and remove counter clockwise the pump filter (Fig. 9-12).
8. Remove contaminants and dirt (Fig. 9-13).

9. Clean carefully pump filter, e.g. using running water (Fig. 9-14).
10. After cleaning, reinstall the handle and tighten it until it does not move. At this time, the handle is in vertical state (Fig. 9-15).
11. Close service flap.



CAUTION!

- ▶ Pump filter sealing has to be clean and unhurt. If the lid is not full tightened, water can escape.
- ▶ The filter must be in place, or it may lead to leakage.

9.7 Drum Clean

This program is used to clean the inner and outer cylinders of washing machines, and different cleaning modes can be selected in different usage scenarios.

1. Fluff cleaning mode: Select the "Drum Clean" program, touch the "Temp." button, set the temperature to "--" (no heating), and display the running time "0:08", start the program. During the use of the washing machine, dandruff may accumulate inside the machine. Running this mode can effectively remove dandruff. Please do not add any detergent and ensure that there is no clothing inside the cylinder.

2. Cylinder self-cleaning mode: Select the "Drum Clean" program, touch the "Temp." button, set the temperature to "90 ° C", display the running time of "1:00", and start the program. This mode can effectively remove residual stains on the cylinder wall through high-temperature cleaning. Do not add any detergent and ensure that there are no clothes inside the cylinder.

Note: State standby, under any program, you can choose the "Drum Clean" program.

Many occurring problems could be solved by yourself without specific expertise. In case of a problem please check all shown possibilities and follow below instructions before you contact an after sales service. See CUSTOMER SERVICE.



WARNING!

- ▶ Before maintenance, deactivate the appliance and disconnect the mains plug from the mains socket.
- ▶ Electrical equipment should be serviced only by qualified electrical experts, because improper repairs can cause considerable consequential damages.
- ▶ A damaged power cable should only be replaced by the manufacturer, its service agent or similarly qualified persons in order to avoid a hazard.

10.1 Information codes

Following codes are displayed only for information referring to the washing cycle. No measures must be performed.

Code	Message
1:25	The remaining wash cycle time will be 1 hour and 25 minutes.
6:30	The remaining wash cycle time including chosen end-time delay will be 6 hours and 30 minutes.
End	The washing cycle is finished. The appliance shuts off automatically.
Loct	Door is closed because of high water level, high water temperature or spinning cycle.
OFF	The buzzer is deactivated.
ON	The buzzer is activated.
cLoT	The function keys is closed. The programme changing is invalid.

10.2 Troubleshooting with display code

Problem	Cause	Solution
CLr FLTr	· Drainage error, water is not fully drained within 6 minutes.	· Clean pump filter. · Check drain hose installation.
E2	· Lock error.	· Shut the door properly.
E4	· Water level not reached after 12 minutes. · Drain hose is self-syphoning.	· Make sure that tap is fully opened and water pressure is normal. · Check drain hose installation.
E8	· Water protective level error.	· Contact the After sales service.
E5	· Drainage error. Water is not fully drained in set time.(Refresh programme)	· Clean pump filter · Check drain hose installation
F3	· Temperature sensor error	· Contact the After sales service.

Problem	Cause	Solution
E4	<ul style="list-style-type: none"> • Heating error. 	<ul style="list-style-type: none"> • Contact the After sales service.
F7	<ul style="list-style-type: none"> • Motor error. 	<ul style="list-style-type: none"> • Contact the After sales service.
FA	<ul style="list-style-type: none"> • Water level sensor error. 	<ul style="list-style-type: none"> • Contact the After sales service.
FH	<ul style="list-style-type: none"> • The iot module fails to be configured 	<ul style="list-style-type: none"> • Contact the After sales service.
FCD, FC 1 or FC2	<ul style="list-style-type: none"> • Abnormal communication error. 	<ul style="list-style-type: none"> • Contact the After sales service.
Eb	<ul style="list-style-type: none"> • Clothes are caught. 	<ul style="list-style-type: none"> • Please open the machine door and fully insert the clothes into the container, then press the "Start" button to run the program.

10.3 Troubleshooting without display code

Problem	Cause	Solution
Washing machine fails to operate.	<ul style="list-style-type: none"> • Programme is not yet started. • Door is not properly closed. • Machine has not been switched on. • Power failure. • Child lock is activated. 	<ul style="list-style-type: none"> • Check programme and start it. • Close the door properly. • Switch the machine on. • Check power supply. • Deactivate child lock.
Washing machine will not be filled with water.	<ul style="list-style-type: none"> • No water. • Inlet hose is kinked. • Inlet hose filter is blocked. • Water pressure is less than 0.03 MPa. • Door is not properly closed. • Water supply failure. 	<ul style="list-style-type: none"> • Check water tap. • Check inlet hose. • Unblock inlet hose filter. • Check water pressure. • Close the door properly. • Ensure the water supply.
Machine is draining while being filled.	<ul style="list-style-type: none"> • Height of drain hose is below 80 cm. • Drain hose end could reach into water. 	<ul style="list-style-type: none"> • Make sure that drain hose is properly installed. • Make sure the drain hose is not in water.
Drainage failure.	<ul style="list-style-type: none"> • Drain hose is blocked. • Pump filter is blocked. • Drain hose end is higher than 100 cm above floor level. 	<ul style="list-style-type: none"> • Unblock drain hose. • Clean pump filter. • Make sure that drain hose is properly installed.
Strong vibration while spinning.	<ul style="list-style-type: none"> • Not all transportation bolts have been removed. • Appliance has no solid position. • Machine load is not correct. 	<ul style="list-style-type: none"> • Remove all transportation bolts. • Ensure solid ground and a levelled position. • Check load weight and balance.
Operation stops before completing wash cycle.	<ul style="list-style-type: none"> • Water or electric failure. 	<ul style="list-style-type: none"> • Check power and water supply.
Operation stops for a period of time.	<ul style="list-style-type: none"> • Appliance displays error code. • Problem due to load pattern. • Programme performs soaking cycle. 	<ul style="list-style-type: none"> • Consider display codes. • Reduce or adjust load. • Cancel programme and restart.

Problem	Cause	Solution
Excessive foam floats drum and/or detergent drawer.	<ul style="list-style-type: none"> • Detergent is not appropriate. • Excessive use of detergent. 	<ul style="list-style-type: none"> • Check detergent recommendations. • Reduce amount of detergent.
Automatic adjustment of washing time.	<ul style="list-style-type: none"> • Washing programme duration will be adjusted. 	<ul style="list-style-type: none"> • This is normal and doesn't affect functionality.
Spinning fails.	<ul style="list-style-type: none"> • Unbalance of laundry. 	<ul style="list-style-type: none"> • Check machine load and laundry and run a spinning programme again.
Unsatisfactory washing result.	<ul style="list-style-type: none"> • Degree of pollution does not agree with selected programme • Detergent quantity was not sufficient. • Maximum load has been exceeded. • Laundry was unevenly distributed in the drum. 	<ul style="list-style-type: none"> • Select another programme. • Choose the detergent according to the degree of pollution and according to manufacturer specifications. • Reduce loading. • Loose the laundry.
Washing powder residues are on the laundry.	<ul style="list-style-type: none"> • Insoluble particles of detergent can remain as white spots on the laundry. 	<ul style="list-style-type: none"> • Perform extra rinse. • Try to brush the points from the dry laundry. • Choose another detergent.
Laundry has grey patches.	<ul style="list-style-type: none"> • Caused by fats such as oils, creams or ointments. 	<ul style="list-style-type: none"> • Pretreat the laundry with a special cleaner.

i Note: Foam formation

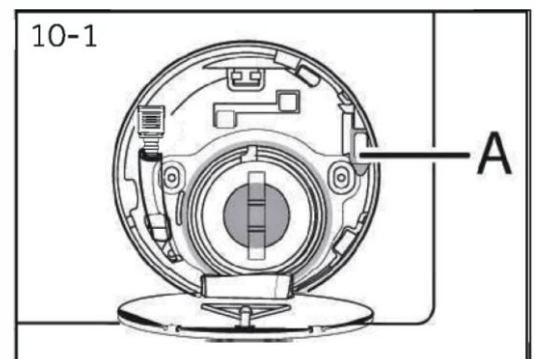
If too much foam is inspected during spin cycle, motor stops and drain pump will be activated for 90 seconds. If that elimination of foam fails up to 3 times, programme ends without spinning.

Should the error messages reappear even after the taken measures, switch off the appliance, disconnect the power supply and contact the customer service.

10.4 In case of power failure

The current programme and its setting will be saved. When power supply is restored operation will be resumed.

If a power failure cuts an operating wash programme door opening is mechanically blocked. To get out any laundry water level should not be seen in the glassy porthole of the door. - Danger of burns! Water level has to be lowered as described in "Pump filter". Not till then pull lever (A) beneath service flap (Fig.10-1) until door is unlocked by a gentle click. Afterwards refix all parts.



i When the washing machine is in a safe state (under the water level below the window along a certain distance, barrel temperature below 55°C, the inner barrel did not turn), may unlock the doors of the machine operation.

11.1 Preparation

- ▶ Take the appliance out of the packaging.
- ▶ Remove all packaging material including protecting film on cabinet, polystyrene base, keep them out of childrens reach. While opening the package, water drops may be seen on plastic bag and porthole. This normal phenomenon results from water tests in the factory.

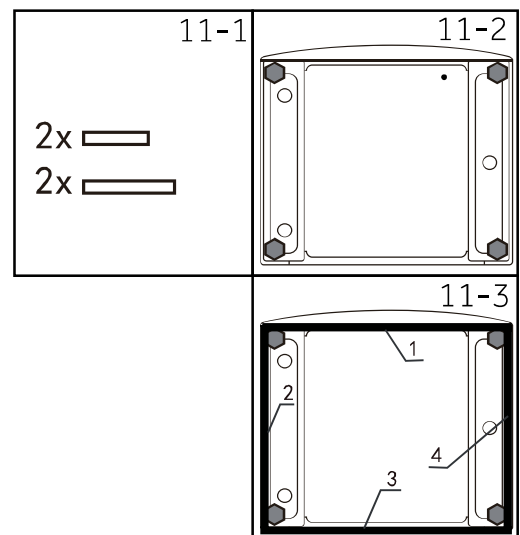


Note: Packaging disposal

Keep all packaging materials out of children's reach and dispose them in an environmentally friendly manner.

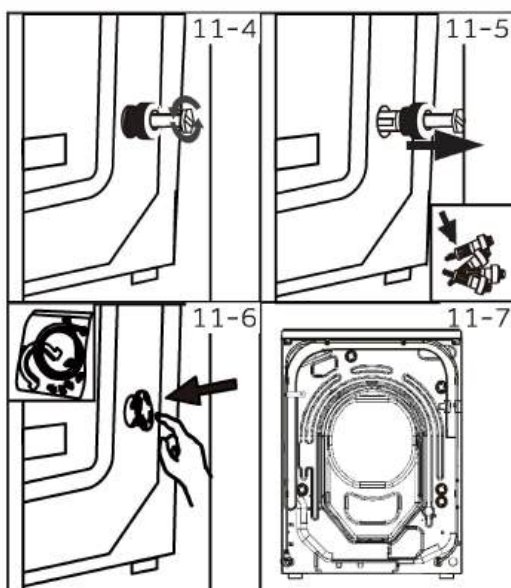
11.2 OPTIONAL: Install noise reduction pads

1. When opening the shrink package, you will find four noise reduction pads. These are used for reducing noise (Fig. 11-1).
2. Lay the washing machine down to its side, porthole pointing upwards, bottom side towards operator (Fig. 11-2).
3. Take out the noise reduction pads and remove the **double-sided adhesive protective film** paste around the bottom; the noise reduction pads under the washing machine cabinet as shown in Figure 3 (two longer pads in position 1 and 3, two shorter pads in position 2 and 4). Finally set the machine upright again (Fig. 11-3).



Warm tip:

Noise reduction pad is optional, could help to reduce noise, please assemble it or not according to your own demand.



11.3 Dismantle the transportation bolts

The transportation bolts are designed for clamping anti-vibration components inside the appliance during transportation to prevent inner damage.

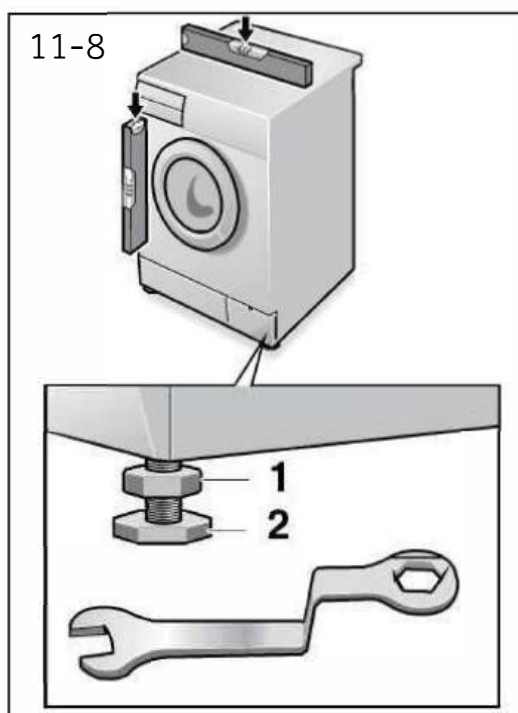
1. Remove all 4 bolts on the rear side and take out plastic spacers (Fig. 11-4)(Fig. 11-5).
2. Fill left holes with blanking plugs (Fig. 11-6)(Fig. 11-7).

i Note: Keep in safe place

Keep all parts of the transport protection in a safe place for later use. Whenever the appliance is to be moved at first reinstall the protection parts.

11.4 Moving the appliance

If the machine is to be moved to a distant location, replace the transportation bolts removed before installation to prevent damage: The assembly takes place in reverse order.



11.5 Aligning the appliance

Adjust all feet (Fig. 11-8) to achieve a complete level position. This will minimize vibrations and thus noise during use. It will also reduce wear and tear. We recommend to use a spirit level for adjustment. Floor should be as stable and flat as possible.

1. Loose the locknut (1) by using a wrench.
2. Adjust the height by turning the foot (2).
3. Tighten lock ut (1) against the housing.

11.6 Drain Water Connection

Fix the water drain hose properly to the piping. The hose has to reach at one point a height between 80 and 100 cm above the appliance bottom line! If possible keep always drain hose fixed to the clip at the appliance back.



WARNING!

- ▶ Use only the supplied hose set for the connection.
- ▶ Never reuse old hose sets!
- ▶ Only connect to cold water supply.
- ▶ Before connection, check whether the water is clean and clear.

Following connections are possible:

11.6.1 Drain hose to sink

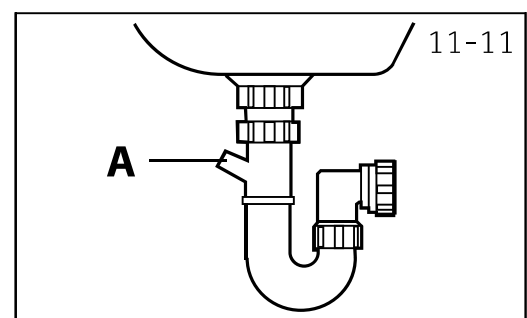
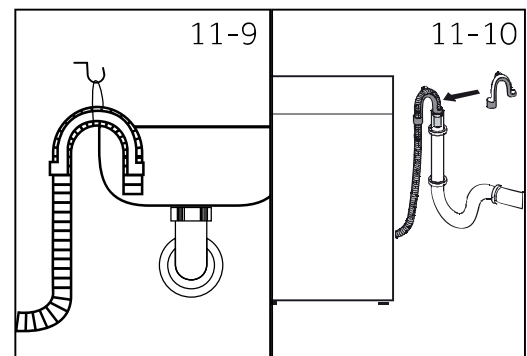
- ▶ Hang the drain hose with the U-support over the edge of a sink with adequate size (Fig. 11-9).
- ▶ Protect the U-support sufficiently against slipping.

11.6.2 Drain hose to waste water connection

- ▶ The internal diameter of the stand pipe with vent-hole must be minimum 40 mm.
- ▶ Put the drain hose for 80-100 mm in the wastewater pipe.
- ▶ Attach the U-support and secure it sufficiently (Fig. 11-10).

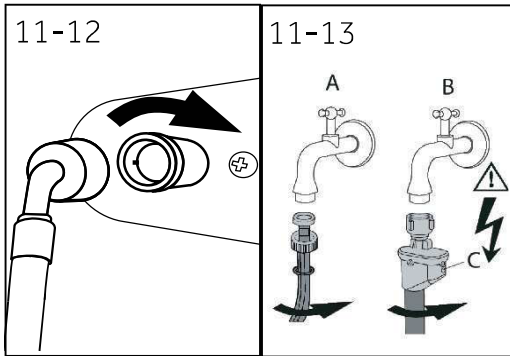
11.6.3 Drain hose to sink connection

- ▶ The junction must lie above the siphon.
- ▶ A spigot connection is usually closed by a pad (A). That must be removed to prevent any disfunction (Fig. 11-11).
- ▶ Secure the drain hose with a clamp.



CAUTION!

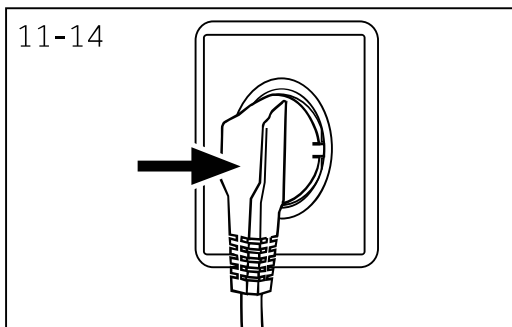
- ▶ The drain hose should not be submerged in water and should be securely fixed and leak-free. If the drain hose is placed on the ground or if the pipe is at a height of less than 80 cm, the washing machine will continuously drain while being filled (self-siphoning).
- ▶ Drain hose is not to be extended. If necessary contact after sales service.



11.7 Fresh Water Connection

Make sure that the gaskets are inserted.

1. Connect the water inlet hose with the angled end to the appliance (Fig. 11-12). Tighten the screw joint by hand.
2. The other end connect to a water tap with a 3/4" thread (Fig. 11-13).



11.8 Electrical Connection

Before each connection check if:

- ▶ power supply, socket and fusing are appropriate to the rating plate.
- ▶ the power socket is earthed and no multi-plug or extension are used.
- ▶ the power plug and socket are strictly according.
- ▶ **Only UK:** The UK plug meets BS1363A standard.

Put the plug into the socket (Fig. 11-14).



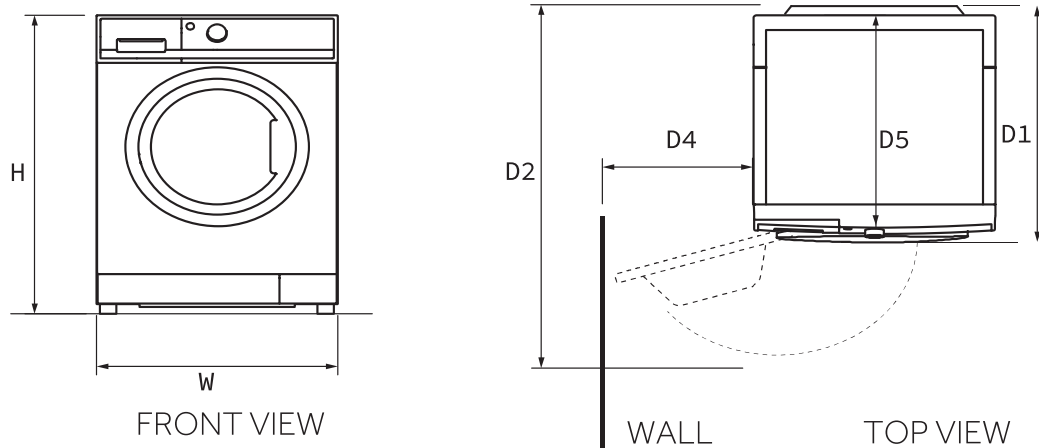
WARNING!

- ▶ Ensure always that all connections (power supply, drain and fresh water hose) are firm, dry and leak free!
- ▶ Take care these parts are never to be crushed, kinked, or twisted.
- ▶ If the supply cord is damaged, it must be replaced by the service agent (see warranty card) in order to avoid a hazard.

12.1 Additional technical data

	HW100-B14667U1
Voltage in V	220V -240V/50Hz
Current in A	10
Max. power in W	2000
Water pressure in Mpa	$0.03 \leq P \leq 1$
Net weight in kg	74

12.2 Product dimensions



PRODUCT DIMENSIONS	HW100-B14667U1
H Overall height of product mm	850
W Overall width of product mm	595
D5 Overall depth of product (To main control board size) mm	544
D1 Overall depth of product (Including the thickness of the door) mm	598
D2 Depth of door open mm	1084
D4 Minimum door clearance to adjacent wall mm	188

Note: The exact height of your washer is dependent on how far the feet are extended from the base of the machine. The space where you install your washer needs to be at least 40mm wider and 20mm deeper than its dimensions.

12.3 Standards and Directives **CE**

This product meets the requirements of all applicable EC directives with the corresponding harmonised standards, which provide for CE marking.

We recommend our Haier Customer Service and the use of original spare parts, and the minimum period during which the spare parts for the household washing machine is 10 years.

If you have a problem with your appliance, please first check section TROUBLESHOOTING. If you cannot find a solution there, please contact:

- ▶ your local dealer.
- ▶ the Service & Support area at www.haier-europe.com where you can find telephone numbers and FAQs and where you can activate the service claim.

For specific product information, please login to the Haier official website https://www.haier-europe.com/en_GB/technical-assistance/ and search the model you use, click the product to go to the detail page then click "documents" to find the user manual to download it. You can also find the product information in this page.

To contact our Service, ensure that you have the following data available.

The information can be found on the rating plate.

Model _____ Serial No. _____

Also check the Warranty Card supplied with the product in case of warranty.

For general business enquiries please find below our addresses in Europe:

European Haier addresses			
Country *	Postal address	Country *	Postal address
Italy	Haier Europe Trading SRL Via De Cristoforis, 12 21100 Varese ITALY	France	Haier France SAS 3-5 rue des Gravieres 92200 Neuilly sur Seine FRANCE
Spain Portugal	Haier Iberia SL Pg. Garcia Faria, 49-51 08019 Barcelona SPAIN	Belgium-FR Belgium-NL Netherlands Luxembourg	Haier Benelux SA Anderlecht Route de Lennik 451 BELGIUM
Germany Austria	Haier Deutschland GmbH Hewlett-Packard-Str. 4 D-61352 Bad Homburg GERMANY	Poland Hungary Greece Romania Russia	Haier Poland Sp.zo.o.AI. Jerozolimskie 181B 02- 222 Warszawa POLAND
United Kingdom	Haier Appliances UK Co.Ltd. One Crown Square Church Street East Woking, Surrey, GU21 6HR UK	Czech Republic and Slovakia	Haier Europe ČR s.r.o. Sokolovská 651/136a, 186 00 Praha 8, Czech Republic

*For more information please refer to www.haier-europe.com.

Model information is available in the product database at <https://eprel.ec.europa.eu/> by searching for the model identifier reported in the field Model of the product label affixed on the product; the link to the model in the product database can be found here below for each model identifier:



Haier



Benutzerhandbuch Waschmaschine

HW100-B14667U1



Laden Sie die hOn
Smart-Home-App
herunter.



DE

Haier

Vielen Dank für den Kauf eines Haier-Produkts.

Bitte lesen Sie diese Anleitung sorgfältig durch, bevor Sie das Gerät verwenden. Die Anleitung enthält wichtige Informationen, die Ihnen dabei helfen sollen, das Gerät optimal zu nutzen und eine sichere und ordnungsgemäße Installation, Verwendung und Wartung zu gewährleisten.

Bewahren Sie dieses Handbuch an einem geeigneten Ort auf, damit Sie jederzeit darin nachlesen können, wie Sie das Gerät sicher und ordnungsgemäß verwenden.

Wenn Sie das Gerät verkaufen, verschenken oder bei einem Umzug zurücklassen, geben Sie bitte auch dieses Handbuch weiter, damit sich der neue Besitzer mit dem Gerät und den Sicherheitshinweisen vertraut machen kann.



Legende

Warnung - Wichtige Sicherheitsinformationen



Allgemeine Informationen und Tipps



Informationen zur Umwelt

Entsorgung



Tragen Sie zum Schutz der Umwelt und der menschlichen Gesundheit bei. Geben Sie die Verpackungen in geeignete Behälter, um sie zu recyceln. Helfen Sie mit, Elektro- und Elektronikaltgeräte zu recyceln. Mit diesem Symbol gekennzeichnete Geräte dürfen nicht im Hausmüll entsorgt werden. Geben Sie das Produkt bei Ihrer örtlichen Recyclingstelle ab oder wenden Sie sich an Ihr Gemeindeamt.



WARNUNG!

Es besteht Verletzungs- und Erstickungsgefahr!

Trennen Sie das Gerät vom Stromnetz. Schneiden Sie das Netzkabel ab und entsorgen Sie es. Entfernen Sie die Türverriegelung, um zu verhindern, dass Kinder und Haustiere in das Gerät gelangen.

1- Sicherheitsinformationen	4
2- Beschreibung des Produkts.....	7
3- Bedienfeld.....	8
4- Programme	12
5- Verbrauch	13
6- Täglicher Gebrauch	14
7- hOn App	19
8- Umweltfreundliches Waschen.....	22
9- Pflege und Reinigung	23
10- Fehlersuche	26
11- Installation.....	29
12- Technische Daten.....	33
13- Kundendienst.....	34

Bevor Sie das Gerät zum ersten Mal einschalten, lesen Sie bitte die folgenden Sicherheitshinweise!



WARNUNG!

Vor der ersten Verwendung

- ▶ Vergewissern Sie sich, dass es keine Transportschäden gibt.
- ▶ Stellen Sie sicher, dass alle Transportbolzen entfernt wurden.
- ▶ Entfernen Sie alle Verpackungen und bewahren Sie sie außerhalb der Reichweite von Kindern auf.
- ▶ Handhaben Sie das Gerät immer mit mindestens zwei Personen, da es schwer ist.

Täglicher Gebrauch

- ▶ Dieses Gerät kann von Kindern ab 8 Jahren und Personen mit eingeschränkten körperlichen, sensorischen oder geistigen Fähigkeiten oder mangelnder Erfahrung und mangelndem Wissen benutzt werden, wenn diese in die sichere Bedienung des Geräts eingewiesen wurden oder beaufsichtigt werden.
- ▶ Halten Sie Kinder unter 3 Jahren von dem Gerät fern, es sei denn, sie werden ständig beaufsichtigt.
- ▶ Kinder dürfen nicht mit dem Gerät spielen.
- ▶ Lassen Sie Kinder und Haustiere nicht in die Nähe des Geräts kommen, wenn die Tür geöffnet ist.
- ▶ Bewahren Sie Waschmittel außerhalb der Reichweite von Kindern auf.
- ▶ Ziehen Sie Reißverschlüsse auf, fixieren Sie lose Fäden und achten Sie auf kleine Gegenstände, um zu verhindern, dass sich die Wäsche verheddert. Verwenden Sie gegebenenfalls einen geeigneten Beutel oder ein Netz.
- ▶ Berühren oder verwenden Sie das Gerät nicht, wenn Sie barfuß sind oder nasse oder feuchte Hände oder Füße haben.
- ▶ Decken Sie das Gerät während des Betriebs und danach nicht ab, damit die Feuchtigkeit oder Nässe verdampfen kann.
- ▶ Stellen Sie keine schweren Gegenstände, Wärme- oder Feuchtigkeitsquellen auf das Gerät.
- ▶ Verwenden oder lagern Sie keine brennbaren Wasch- oder Trockenreinigungsmittel in unmittelbarer Nähe des Geräts.
- ▶ Verwenden Sie keine brennbaren Sprays in unmittelbarer Nähe des Geräts.
- ▶ Waschen Sie keine mit Lösungsmitteln behandelten Kleidungsstücke im Gerät, ohne sie vorher an der Luft getrocknet zu haben.

**WARNUNG!****Täglicher Gebrauch**

- ▶ Ziehen Sie den Stecker nicht in Gegenwart von entflammenden Gasen heraus oder stecken Sie ihn in die Steckdose.
- ▶ Waschen Sie Schaumgummi oder schwammartige Materialien nicht heiß.
- ▶ Waschen Sie keine Wäsche, die mit Mehl verunreinigt ist.
- ▶ Öffnen Sie die Waschmittelschublade nicht während eines Waschvorgangs.
- ▶ Berühren Sie die Tür während des Waschvorgangs nicht, da sie heiß wird.
- ▶ Öffnen Sie die Tür nicht, wenn der Wasserstand sichtbar über dem Bullauge steht.
- ▶ Öffnen Sie die Tür nicht mit Gewalt. Die Tür ist mit einer Selbstverriegelung ausgestattet und öffnet sich kurz nach Beendigung des Waschvorgangs.
- ▶ Schalten Sie das Gerät nach jedem Waschprogramm und vor jeder Routinewartung aus und trennen Sie das Gerät von der Stromversorgung, um Strom zu sparen und die Sicherheit zu gewährleisten.
- ▶ Halten Sie den Stecker und nicht das Kabel, wenn Sie den Netzstecker ziehen.

Wartung/Reinigung

- ▶ Stellen Sie sicher, dass Kinder beaufsichtigt werden, wenn Sie Reinigungs- und Wartungsarbeiten durchführen.
- ▶ Trennen Sie das Gerät von der Stromversorgung, bevor Sie routinemäßige Wartungsarbeiten durchführen.
- ▶ Halten Sie den unteren Teil des Bullauges sauber und öffnen Sie die Tür und die Waschmittelschublade, wenn das Gerät nicht verwendet wird, um Gerüche zu vermeiden.
- ▶ Verwenden Sie zum Reinigen des Geräts kein Spritzwasser oder Dampf.
- ▶ Lassen Sie ein beschädigtes Netzkabel nur durch den Hersteller, seinen Kundendienst oder ähnlich qualifizierte Personen ersetzen, um eine Gefahr zu vermeiden.
- ▶ Versuchen Sie nicht, das Gerät selbst zu reparieren. Im Falle einer Reparatur wenden Sie sich bitte an unseren Kundendienst.
- ▶ Entfernen Sie alle Fremdkörper wie Metallgegenstände, Chemikalien, zerbrechliche Gegenstände, brennende Kerzen, brennende Zigaretten usw. aus dem Gerät.

Installation

- ▶ Das Gerät sollte an einem gut belüfteten Ort aufgestellt werden. Stellen Sie sicher, dass es an einem Ort aufgestellt wird, an dem die Tür vollständig geöffnet werden kann.
- ▶ Stellen Sie das Gerät niemals im Freien, in einem Nassraum oder an einem Ort auf, an dem Wasser austreten kann, wie z. B. unter oder in der Nähe eines Waschbeckens. Im Falle eines Wasserschadens unterbrechen Sie die Stromzufuhr und lassen Sie das Gerät an der Luft trocknen.



WARNUNG!

Installation

- ▶ Stellen Sie das Gerät nur an Orten auf, an denen die Temperatur über 5°C liegt.
- ▶ Stellen Sie das Gerät nicht direkt auf einen Teppich oder in die Nähe einer Wand oder eines Möbelstücks auf.
- ▶ Installieren Sie das Gerät nicht in direktem Sonnenlicht oder in der Nähe von Wärmequellen (z. B. Öfen, Heizungen).
- ▶ Stellen Sie sicher, dass die elektrischen Angaben auf dem Typenschild mit der Stromversorgung übereinstimmen. Ist dies nicht der Fall, wenden Sie sich an einen Elektriker.
- ▶ Verwenden Sie keine Mehrfachstecker-Adapter und Verlängerungskabel.
- ▶ Achten Sie darauf, dass nur das mitgelieferte Elektrokabel und der Schlauchsatz verwendet werden.
- ▶ Achten Sie darauf, dass Sie das Stromkabel und den Stecker nicht beschädigen. Wenn das Stromkabel und der Stecker beschädigt sind, lassen Sie sie durch einen Elektriker ersetzen.
- ▶ Verwenden Sie für die Stromversorgung eine separate geerdete Steckdose, die nach der Installation leicht zugänglich ist. Das Gerät muss geerdet sein.
Nur für UK: Das Netzkabel des Geräts ist mit einem 3-adrigen (geerdeten) Stecker ausgestattet, der in eine normale 3-adrige (geerdete) Steckdose passt.
Schneiden Sie niemals den dritten Stift (Erdung) ab oder demontieren Sie ihn. Nach der Installation des Geräts muss der Stecker zugänglich sein.
- ▶ Vergewissern Sie sich, dass die Schlauchverbindungen und -anschlüsse fest sind und keine Leckagen aufweisen.

Bestimmungsgemäße Verwendung

Dieses Gerät ist nur für das Waschen von waschmaschinenfester Wäsche bestimmt. Befolgen Sie jederzeit die Anweisungen auf dem Etikett des jeweiligen Kleidungsstücks. Das Gerät ist ausschließlich für den häuslichen Gebrauch im Haus bestimmt. Es ist nicht für den kommerziellen oder industriellen Gebrauch bestimmt.

Änderungen oder Modifikationen am Gerät sind nicht erlaubt. Bei einer nicht bestimmungsgemäßen Verwendung können Gefahren und der Verlust aller Garantie- und Haftungsansprüche eintreten.

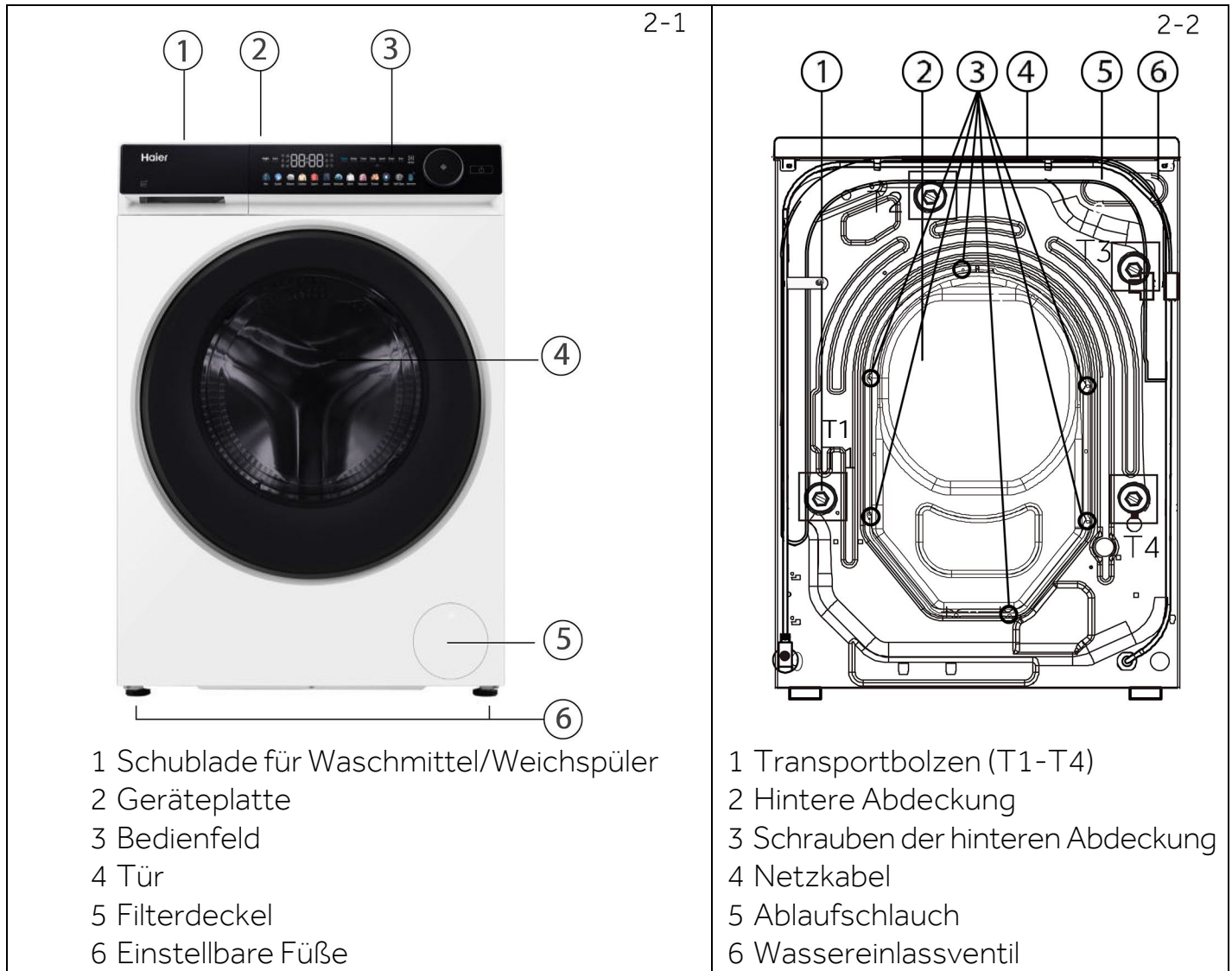
i Hinweis:

Aufgrund von technischen Änderungen und unterschiedlichen Modellen können die Abbildungen in den folgenden Kapiteln von Ihrem Modell abweichen.

2.1 Abbildung des Geräts.

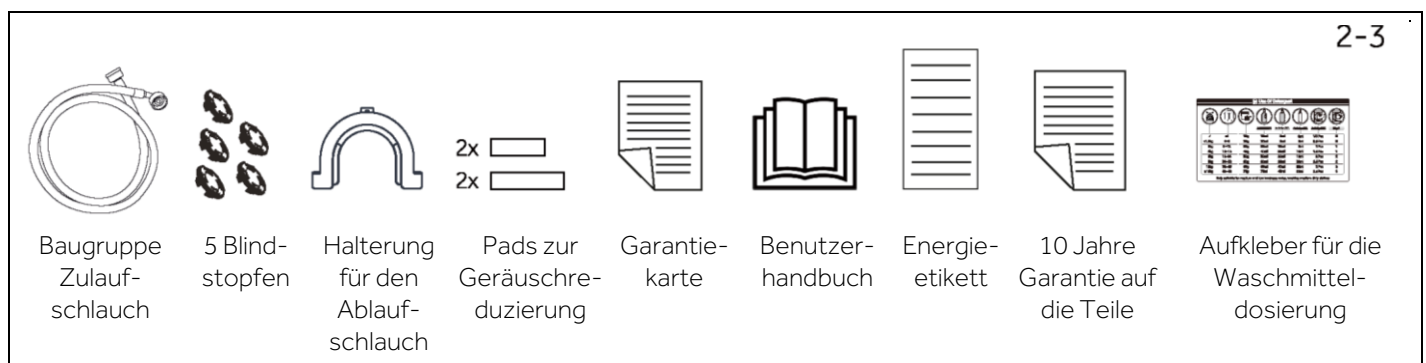
Vorderseite (Abb. 2-1):

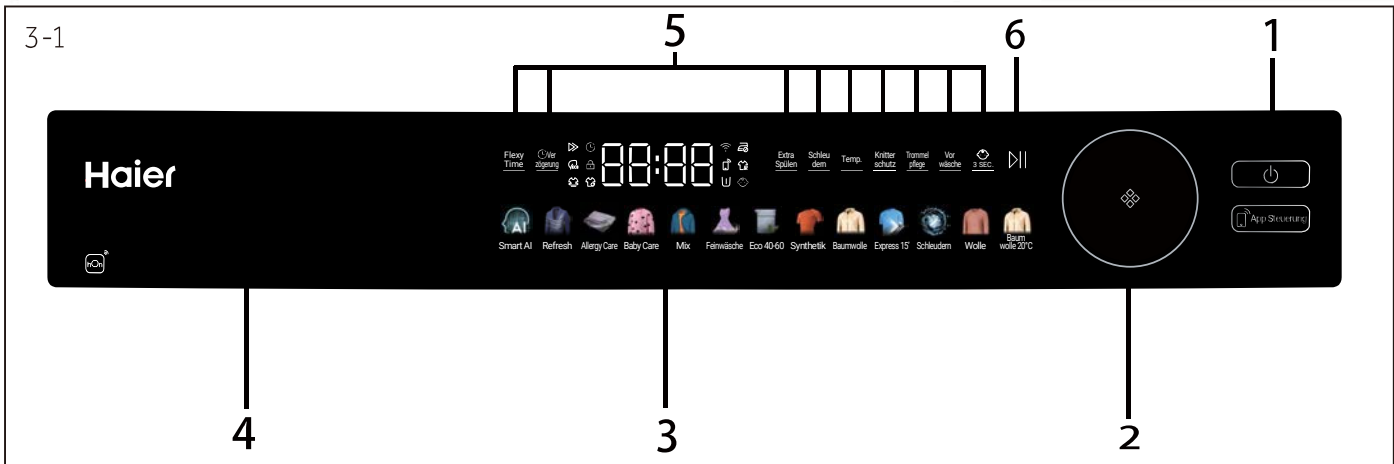
Rückseite (Abb. 2-2):



2.2 Zubehör

Überprüfen Sie das Zubehör und die Literatur anhand dieser Liste (Abb. 2-3):





- 1 Ein/Aus-Taste
- 2 Programmwahlschalter
- 3 Display
- 4 Schublade für Waschmittel/ Weichspüler
- 5 Funktionstasten
- 6 Taste „Start/Pause“

i Hinweis: Akustisches Signal

In den folgenden Fällen ist standardmäßig kein akustisches Signal zu hören:

- ▶ beim Drücken einer Taste
- ▶ am Ende des Programms
- ▶ beim Drehen des Programmwahlschalters

Das akustische Signal kann bei Bedarf ausgewählt werden; siehe TÄGLICHER GEBRAUCH (siehe P18 6.13).

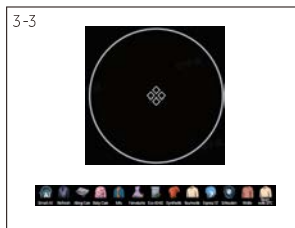


3.1 Ein/Aus-Taste

Berühren Sie diese Taste (Abb. 3-2) leicht, um das Gerät einzuschalten, das Display leuchtet, die Anzeige der Taste „Start/Pause“ blinkt, berühren Sie sie dann erneut für etwa 2 Sekunden, um das Gerät auszuschalten. Wenn nach einiger Zeit kein Bedienelement oder Programm aktiviert wird, schaltet sich das Gerät automatisch ab.

i Hinweis: Ausschalten

Ohne WLAN-Verbindung schaltet sich das eingeschaltete Gerät automatisch aus, wenn es nicht innerhalb von 2 Minuten vor dem Start des Programms oder bei Programmende bedient wird. Bei einer WLAN-Verbindung beträgt die Wartezeit 24 Stunden.



3.2 Programmwahlschalter












Durch Drehen des Knopfes (Abb. 3-3) kann eines der Programme ausgewählt werden. Die zugehörige LED leuchtet dann auf, und die Standardeinstellungen werden angezeigt.

3.3 Display

Das Display (Abb. 3-4) zeigt folgende Informationen an:

- ▶ Waschdauer
- ▶ Endzeit-Verzögerung
- ▶ Fehlercodes und Wartungsinformationen
- ▶ Anzeigesymbole
- ▶ Drehzahl, Temperatur usw.



Symbol	Bedeutung
	Zeitvorwahl.
	Vorwäsche.
	Trommeltür ist verriegelt
	Bedienfeld ist gesperrt
	Gerät ist mit dem WLAN-Netzwerk verbunden
	Knitterschutz
	App-Bedienung
	Dampf: Die Programme Smart AI, Allergy Care und Baby Care haben standardmäßig eine Dampfwaschfunktion.
	Zeitersparnis.
	Energiesparen
	Intensiv

3.4 Funktionstasten

Die Funktionstasten (Abb. 3-5) ermöglichen zusätzliche Optionen im gewählten Programm, bevor das Programm startet. Die entsprechenden Anzeigen werden angezeigt. Wenn Sie das Gerät ausschalten oder ein neues Programm auswählen, werden alle Optionen deaktiviert. Wenn eine Taste mehrere Optionen hat, kann die gewünschte Option durch aufeinanderfolgendes Antippen der Taste ausgewählt werden.



Hinweis: Werkseinstellungen

Um bei jedem Programm die besten Ergebnisse zu erzielen, hat Haier spezifische Standardeinstellungen festgelegt. Wenn es keine besonderen Anforderungen gibt, werden die Standardeinstellungen empfohlen.

3.4.1 Funktionstaste „Flexy Time“

Tippen Sie diese Taste (Abb. 3-6) an, um zwischen Zeiterparnis (Hauptwaschzeit verkürzen und den Waschvorgang beschleunigen), Energiesparen (Wassertemperatur reduzieren, um den Stromverbrauch zu senken) oder Intensiv (Hauptwaschzeit verlängern und das Waschergebn optimieren) zu wählen.



3.4.2 Funktionstaste „Verzögerung“

Tippen Sie diese Taste (Abb. 3-7) an, um das Programm mit einer Verzögerung zu starten. Die Endzeit-Verzögerung kann in 30-Minuten-Schritten von 0,5-24 Stunden erhöht werden (die Endzeit ist länger als die ursprüngliche Programmzeit). Zum Beispiel bedeutet die Anzeige „aus 6:30“, dass der Programmzyklus in 6 Stunden und 30 Minuten endet. Berühren Sie die Taste „Start/Pause“, um die Zeitverzögerung zu aktivieren. Sie ist nicht auf die Programme „Schleudern“ und „Refresh“ anwendbar.

**Hinweis: Flüssigwaschmittel**

Bei der Verwendung von Flüssigwaschmittel ist es nicht empfehlenswert, die Endzeitverzögerung zu aktivieren.

3-8

**Extra
Spülen****3.4.3 Funktionstaste „Extra Spülen“**

Tippen Sie diese Taste (Abb. 3-8) an, um die Wäsche intensiver mit frischem Wasser zu spülen. Dies wird für Menschen mit empfindlicher Haut empfohlen. Durch mehrmaliges Berühren der Taste können null bis drei zusätzliche Zyklen ausgewählt werden. Sie erscheinen auf dem Display mit P--0/ P--1/ P--2/ P--3. Die verschiedenen Programmoptionen sind unterschiedlich.

3-9

**Schleu-
dern****3.4.4 Funktionstaste „Schleudern“**

Tippen Sie diese Taste (Abb. 3-9) an, um den Schleudergang des Programms zu ändern oder zu deaktivieren. Wenn kein Wert auf der Anzeige "0" leuchtet, wird die Wäsche nicht geschleudert.

3-10

Temp.**3.4.5 Funktionstaste „Temp.“**

Drücken Sie diese Taste (Abb. 3-10), um die Waschtemperatur des Programms zu ändern. Wenn kein Wert leuchtet (Anzeige „- -“), wird das Wasser nicht erwärmt.

3-11

**Knitter-
schutz****3.4.6 Funktionstaste „Knitterschutz“**

Bei den Programmen, bei denen die Funktion „Knitterschutz“ ausgewählt werden kann (Abb. 3-11), berühren Sie die Taste „Knitterschutz“, um diese Funktion auszuwählen. Das entsprechende Symbol leuchtet auf. Tippen Sie die Taste erneut an oder wählen Sie ein anderes Programm, um die Funktion zu deaktivieren.

Bei der Funktion „Knitterschutz“ wird die maximale Schleuderdrehzahl verringert. Nach dem Schleudern schüttelt die Waschmaschine die Wäsche im Intervallbetrieb aus, um Schimmel und Geruch zu vermeiden, Falten zu reduzieren und die Wäsche nach dem Aufhängen glatter zu machen.

Während des Betriebs wird auf der LED-Anzeige „-“ „--“ „---“ „----“ angezeigt, und diese Phase dauert maximal 12 Stunden. Der Benutzer kann jederzeit die Taste „Start/Pause“ antippen, um das Programm zu beenden.

3-12

**Trommel-
pflege****3.4.7 Funktionstaste „Trommel pflege“**

Diese Taste (Abb. 3-12) antippen, um die Innen- und Außenseite von Waschmaschinentrommeln zu reinigen. Für unterschiedliche Einsatzszenarien können verschiedene Reinigungsmodi gewählt werden. Füllen Sie in diesem Modus kein Waschmittel ein und achten Sie darauf, dass sich keine Wäsche in der Trommel befindet.

3-13

App Steuerung**3.4.8 Funktionstaste „App Steuerung“**

Drücken Sie kurz auf diese Taste (Abb. 3-13), um die App-Bedienung zu aktivieren. Weitere Informationen finden Sie in Kapitel 7 „hOn-App“.

3-14

**Vor-
wäsche****3.4.9 Funktionstaste „Vorwäsche“**

Durch Berühren dieser Taste (Abb. 3-14) kann das Vorwaschprogramm ausgewählt werden. Wenn Sie diese Funktion wählen, müssen Sie im Voraus etwas Waschmittel in den Vorwaschbereich geben (achten Sie darauf, dass die Waschmittelmenge 30 g nicht überschreitet). Bei Mix, Baumwolle, Synthetik, Baumwolle 20°C, Eco40-60 kann diese Funktion ausgewählt werden. Wenn Sie die Vorwaschfunktion wählen, leuchtet das Symbol auf.

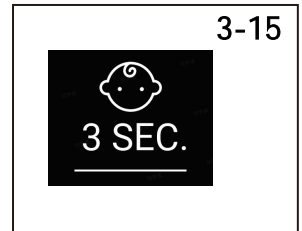
3.4.9 Funktionstaste Start/Pause

Tippen Sie leicht auf diese Taste (Abb. 3-14), um das aktuell angezeigte Programm zu starten oder zu unterbrechen.



3.5 Kindersicherung

Wählen Sie ein Programm aus und starten Sie dann, berühren Sie die Taste "3 SEC" (Abb. 3-15) für 3 Sekunden gleichzeitig, um alle Bedienelemente gegen Aktivierung zu sperren, Bedienelementanzeige. Zum Entsperren berühren Sie bitte erneut die Taste "3 SEC". Die Kindersicherung leuchtet auf, wenn die Kindersicherung funktioniert. Die Funktion ist optional, wenn die Maschine läuft



Das Display zeigt **cLoT** (Abb. 3-16) an, wenn eine Taste angetippt wird, wenn die Kindersicherung aktiviert ist. Die Änderung wird nicht ausgeführt.



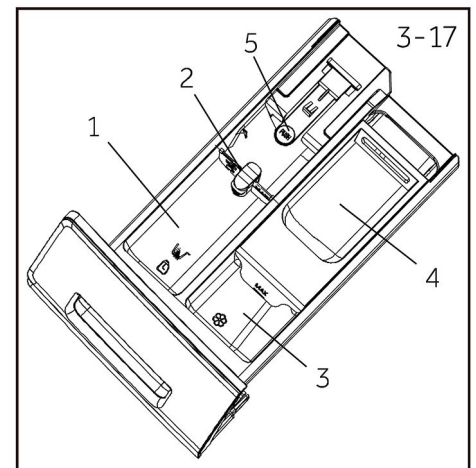
Hinweis: Kindersicherung

- ▶ Die manuell eingestellte Kindersicherung muss auch manuell wieder aufgehoben werden, oder sie wird am Ende des Programms automatisch aufgehoben. Ausschalten und das Aufrufen der Fehlerinformationen können die Kindersicherung nicht aufheben. Wenn das Gerät das nächste Mal eingeschaltet wird, ist sie immer noch aktiv.
- ▶ Wenn Sie die Kindersicherung verwenden, drücken Sie zuerst die Programmtaste, dann wird die Kindersicherung aktiviert.
- ▶ Halten Sie die Taste 3 Sekunden lang gedrückt. Die Kindersicherungsfunktion leuchtet dann vollständig auf und wird aktiviert.
- ▶ Die Kindersicherung kann nicht über die hOn-App eingerichtet oder aufgehoben werden.

3.6 Waschmittel-Schublade

Nach dem Öffnen der Schublade sind die folgenden Komponenten zu sehen (Abb. 3-17):

- 1: Hauptwaschmittelfach für das Pulver- oder Flüssigwaschmittel.
- 2: Waschmittelklappe zur Auswahl des Waschmittels: Klappen Sie sie für Pulverwaschmittel nach oben, für Flüssigwaschmittel nach unten.
- 3: Fach für den Weichspüler.
- 4: Vorwaschmittelfach für eine kleine Menge Pulverwaschmittel.
- 5: Verriegelungsglasche, zum Herausziehen der Spenderschublade nach unten drücken.

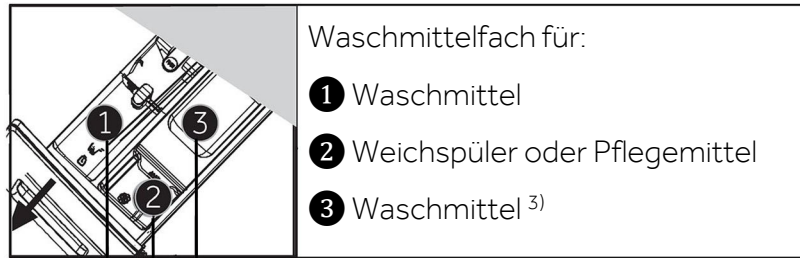


Die Empfehlung für das zu verwendende Waschmittel richtet sich nach den verschiedenen Waschttemperaturen. Lesen Sie daher die Gebrauchsanweisung des Waschmittelherstellers.

Hinweis: Das Verfahren dient zum Überprüfen der Anzahl der Durchgänge, die die Maschine ausgeführt hat.

Vorgehensweise: Wählen Sie im Standby-Modus zuerst das Programm „Baumwolle“ aus, drücken Sie dann gleichzeitig „Temp.“ und „Drehzahl“. 2 Sekunden lang wird die Anzahl der laufenden Zyklen angezeigt, dann kehren Sie zur Standby-Anzeige zurück. Die kumulativen laufenden Zyklen addieren 1 nach Beendigung des Programms. Die laufenden Waschgänge werden in hexadezimaler Form angezeigt, wenn sie über 9999 liegen.

● Ja, ○ Optional, / Nein



Programme	Max.Load in kg HW100	Temperature in °C ¹⁾ selectable range	Preset	Waschmittelfach			Fabrics type	Prese spin speed in rpm	Function						Default duration		
				1	2	3			Flexy Time	Verzögerung	Extra Spülen	Knitterschutz	Trommelpflege	App-Steuerung		Vorwäsche	
Smart AI	10	-- to 60	40	●	○	/	Leicht verschmutzte Mischwäsche aus Baumwolle und Synthetik	1000	○	○	○	○	○	○	○	/	1:18
Refresh	1	/	/	/	/	/	Baumwolle/ Synthetik	/	/	/	/	/	○	○	/	○	0:18
Allergy Care	10	-- to 90	60	●	○	○	Baumwolle/ Synthetik	1000	○	○	○	○	○	○	○	○	1:47
Baby Care	5	-- to 90	60	●	○	○	Baumwolle/ Synthetik	1000	○	○	○	○	○	○	○	○	1:47
Mix	10	-- to 60	30	●	●	○	/	1000	○	○	○	○	○	○	○	○	1:10
Feinwäsche	2	-- to 30	30	●	○	/	Feinwäsche und Seide	600	○	○	○	/	○	○	/	○	0:47
Eco 40-60	10	-- to 60	40	●	○	/	/	1400	○	○	○	○	○	○	○	○	2:43
Synthetik	5	-- to 60	40	●	○	○	Synthetisches Gewebe oder Mischgewebe	1200	○	○	○	○	○	○	○	○	2:07
Baumwolle	10	-- to 90	40	●	○	○	Baumwolle	1400	○	○	○	○	○	○	○	○	3:08
Express 15' ²⁾	1	--to 40	--	●	○	/	Baumwolle/ Synthetik	1000	/	○	○	○	○	○	○	/	0:15
Schleudern	10	/	/	/	/	/	Pflegeleichtes	1000	/	/	/	/	○	○	/	○	0:08
Wolle	1	--to 40	--	●	○	/	Waschmaschinen feste Textilien aus Wolle oder mit Wollanteil	800	/	○	○	/	○	○	/	○	0:40
Baumwolle 20 °C	10	/	/	●	○	○	Baumwolle	1000	○	○	○	○	○	○	○	○	0:53

-- Wasser wird nicht erhitzt.

1) Wählen Sie 90 °C Waschttemperatur nur für besondere hygienische Anforderungen.

2) Reduzieren Sie die Waschmittelmenge, da die Programmdauer kurz ist.

3) Nur wenn die Vorwaschfunktion in der App aktiviert ist, kann etwas Waschmittel in das Vorwaschmittelfach gegeben werden (Hinweis: das Waschmittel in Pulverform sollte 30 g nicht überschreiten).

Beim Waschen schwerer Wäsche kann die Waschmaschine stark vibrieren oder sich bewegen, wenn sich die Wäscheteile verwickeln. Das Design und die Spezifikationen können zum Zweck der Qualitätsverbesserung ohne vorherige Ankündigung geändert werden.

Scannen Sie den QR-Code auf dem Energieetikett, um Informationen zum Energieverbrauch zu erhalten.





Der tatsächliche Energieverbrauch kann je nach den örtlichen Gegebenheiten von dem angegebenen Wert abweichen.



Hinweis: Auto Gewicht

Das Gerät ist mit einer Ladungserkennung ausgestattet. Bei geringer Beladung werden Energie, Wasser und Waschzeit in einigen Programmen automatisch reduziert. Die voreingestellte Zeit auf dem Display kann je nach Beladungsgewicht variieren, was die Programme „Smart AI, Synthetik, Baumwolle, Baumwolle 20°C, Eco 40-60“ betrifft.

Vorläufige Angaben (gemäß Verordnung (EU) 2019/2023 der Kommission):

Nennkapazität	Programme			ENERGY		Max. Temperature	Effective Drehzahl	
		(kg)	(HH:MM)	(kWh/ Programm durchlauf)	(L/ Programm durchlauf)	(°C)	(RPM)	Restfeuchte (%)
10kg	Eco 40-60	10	3:58	0.490	67	27	1330	53.0
	Eco 40-60	5	2:58	0.300	43	25	1330	53.0
	Eco 40-60	2.5	2:48	0.195	30	25	1330	55.0
	Baumwolle 20°C	10	0:53	0.250	85	20	1000	65.0
	Baumwolle 60°C	10	3:28	2.500	85	57	1400	53.0
	Synthetik40°C	5	2:07	0.900	70	40	1200	37.0
	Express 15'30°C	1	0:28	0.250	38	30	1000	65.0

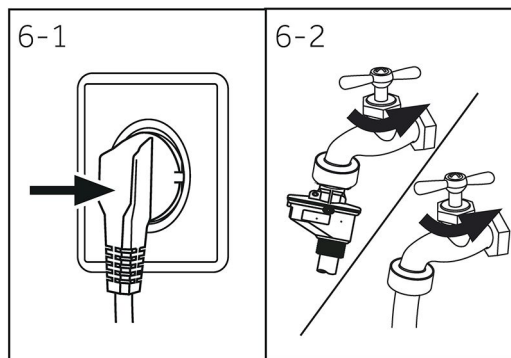
Mit Ausnahme von Eco 40-60 ist der für jedes Programm angegebene Wert nur ein Richtwert. Dem aktualisierte 2019 / aufbauenden energie zeichen informationen durch <https://eprel.ec.europa.eu/> suchen auf produktion produkte "model werden bericht modell für kabc-kontakte.

6.1 Stromversorgung

Schließen Sie die Waschmaschine an das Stromnetz an (220 V bis 240 V~/50 Hz; Abb. 6-1). Bitte beachten Sie auch den Abschnitt Installation (siehe P29).

6.2 Wasseranschluss

- ▶ Überprüfen Sie vor dem Anschließen die Sauberkeit und Klarheit des Wasserzulaufs.
- ▶ Drehen Sie den Hahn auf (Abb. 6-2).

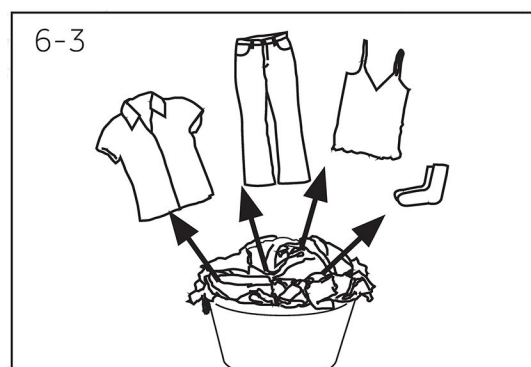


i Hinweis: Dichtheit

Überprüfen Sie vor der Verwendung der Waschmaschine durch Aufdrehen des Wasserhahns, ob die Verbindungen zwischen dem Wasserhahn und dem Zulaufschlauch dicht sind.

6.3 Wäsche vorbereiten

- ▶ Sortieren Sie die Kleidung nach Stoff (Baumwolle, Synthetik, Wolle oder Seide usw.) und Verschmutzungsgrad (Abb. 6-3). Achten Sie auf die Pflegekennzeichnung auf den Wäscheetiketten.
- ▶ Trennen Sie weiße Kleidung von Buntwäsche. Waschen Sie Buntwäsche zuerst mit der Hand, um zu überprüfen, ob sie ausbleicht oder verfärbt.
- ▶ Leeren Sie die Taschen (Schlüssel, Münzen usw.) und entfernen Sie härtere Schmuckgegenstände (z. B. Broschen).
- ▶ Kleidungsstücke ohne Saum, Feinwäsche und feingewebte Textilien wie z. B. feine Vorhänge sollten zur Pflege dieser empfindlichen Wäsche in einen Wäschebeutel gesteckt werden (besser wäre eine Hand- oder Trockenreinigung).
- ▶ Schließen Sie Reißverschlüsse, Klettverschlüsse und Haken, und achten Sie darauf, dass die Knöpfe fest angenäht sind.
- ▶ Legen Sie empfindliche Teile wie Wäsche ohne festen Saum, Dessous und Kleinteile wie Socken, Gürtel, BHs usw. in einen Wäschebeutel.
- ▶ Falten Sie große Stoffstücke wie Bettlaken, Tagesdecken usw. auseinander.
- ▶ Drehen Sie Jeans und bedruckte, verzierte oder farbbintensive Textilien auf links; waschen Sie sie ggf. separat.



VORSICHT!

Nichttextile sowie kleine, lose oder scharfkantige Gegenstände können zu Fehlfunktionen und Schäden an Kleidung und Gerät führen.

Pflegetabelle

Waschen		
 Waschbar bei max. 95 °C im Normalwaschgang	 Waschbar bei max. 60 °C im Normalwaschgang	 Waschbar bei max. 60 °C im Schonwaschgang
 Waschbar bei max. 40 °C im Normalwaschgang	 Waschbar bei max. 40 °C im Schonwaschgang	 Waschbar bei max. 40 °C im Schonwaschgang für sehr Feines
 Waschbar bei max. 30 °C im Normalwaschgang	 Waschbar bei max. 30 °C im Schonwaschgang	 Waschbar bei max. 30 °C im Schonwaschgang für sehr Feines
 Handwäsche bei max. 40 °C	 Nicht waschen	
Bleichen		
 Jedes Bleichverfahren erlaubt	 Nur Sauerstoff/ chlorfrei	 Nicht bleichen
Trocknen		
 Trocknen im Wäschetrockner bei normaler Temperatur möglich	 Trocknen im Wäschetrockner bei niedrigerer Temperatur möglich	 Nicht trocknergeeignet
 Trocknen auf der Wäscheleine	 Liegend Trocknen	
Bügeln		
 Bügeln bei einer Höchsttemperatur von max. 200°C	 Bügeln bei mittlerer Temperatur von max. 150°C	 Bügeln bei niedriger Temperatur von max. 110°C; ohne Dampf (Dampfbügeln kann irreversible Schäden verursachen)
 Nicht bügeln		
Professionelle Textilpflege		
 Chemische Reinigung mit Tetrachlorethen	 Chemische Reinigung mit Kohlenwasserstoffen	 Nicht chemisch reinigen
 Professionelle Nassreinigung	 Nicht professionell nass reinigen	

Nicht alle diese Symbole werden im Menü des Geräts angezeigt.

6.4 Beladen des Geräts

- ▶ Legen Sie die Wäsche Stück für Stück ein.
- ▶ Überladen Sie die Waschmaschine nicht. Beachten Sie die unterschiedliche maximale Ladung je nach Programm! Faustregel für die maximale Ladung: Halten Sie einen Abstand von zehn Zentimetern zwischen der Ladung und der Oberseite der Trommel ein.
- ▶ Schließen Sie die Tür sorgfältig und achten Sie darauf, dass sich keine Wäschestücke darin verfangen.

6.5 Auswahl des Waschmittels

- ▶ Die Waschwirkung und die Waschleistung werden durch die Qualität des verwendeten Waschmittels bestimmt.
- ▶ Verwenden Sie nur für die Maschinenwäsche zugelassene Waschmittel.
- ▶ Verwenden Sie bei Bedarf spezielle Waschmittel, z. B. für synthetische und Wollstoffe.
- ▶ Siehe Tipps für Waschmittelaufkleber auf der Arbeitsplatte.
- ▶ Verwenden Sie keine chemischen Reinigungsmittel wie Trichlorethylen und ähnliche Produkte.

Wählen Sie das beste Waschmittel

Programm	Art des Waschmittels				
	Universal	Farbe	Feinwäsche	Spezial	Weichspüler
Smart AI	√	√	-	-	√
Refresh	-	-	-	-	-
Allergy Care	-	-	√	√	√
Baby Care	-	-	√	√	√
Mix	√	√	-	-	√
Feinwäsche	-	-	√	√	√
Eco 40-60	√	√	-	-	√
Synthetik	√	√	-	-	√
Baumwolle	√	√	-	-	√
Express 15'	√	√	-	-	√
Schleudern	-	-	-	-	-
Wolle	-	-	√	√	√
Baumwolle 20 °C	√	√	-	-	√

√ = Empfohlen - = Nicht empfohlen

Bei der Verwendung von Flüssigwaschmitteln ist es nicht empfehlenswert, die Zeitverzögerung zu aktivieren.

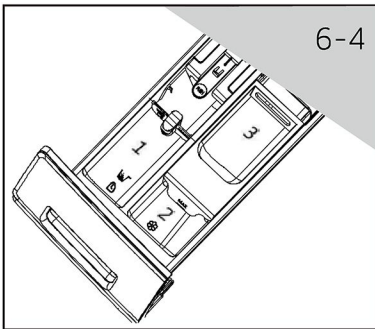
Wir empfehlen die Verwendung von:

- ▶ Waschpulver: bei 20 °C bis 90 °C* (beste Verwendung: bei 40–60 °C)
- ▶ Farbwaschmittel: bei 20 °C bis 60 °C (beste Verwendung: bei 30–60 °C)
- ▶ Woll-/Feinwaschmittel: bei 20 °C bis 30 °C (beste Verwendung: bei 20–30°C)

* Wählen Sie die Waschtemperatur 90°C nur für besondere hygienische Anforderungen.

* Wenn Sie eine Wassertemperatur von 60°C oder mehr wählen, empfehlen wir Ihnen, weniger Waschmittel zu verwenden. Bitte verwenden Sie ein spezielles Desinfektionsmittel, das für Baumwoll- oder Synthetiktücher geeignet ist.

* Es ist besser, weniger oder schaumfreies Waschmittelpulver zu verwenden.

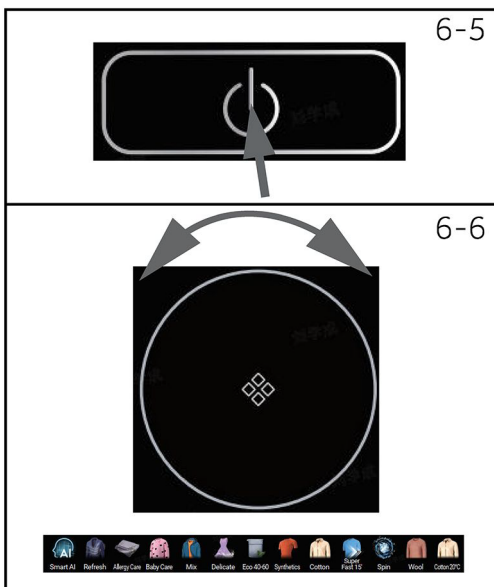


6.6 Hinzufügen von Waschmittel

1. Schieben Sie die Waschlade heraus.
2. Geben Sie die benötigten Waschmittel in die entsprechenden Fächer (Abb. 6-4).
3. Schieben Sie die Schublade vorsichtig zurück.

i Hinweis:

- ▶ Entfernen Sie Waschmittelreste vor dem nächsten Waschgang aus der Waschlade.
- ▶ Verwenden Sie nicht zu viel Waschmittel oder Weichspüler.
- ▶ Bitte beachten Sie die Anweisungen auf der Verpackung des Waschmittels.
- ▶ Füllen Sie das Waschmittel immer erst kurz vor Beginn des Waschvorgangs ein.
- ▶ Konzentrierte Flüssigwaschmittel sollten vor der Zugabe verdünnt werden.
- ▶ Verwenden Sie kein Flüssigwaschmittel, wenn die Funktion „Verzögerung“ ausgewählt ist.
- ▶ Wählen Sie die Programmeinstellungen gemäß den Pflegesymbolen auf allen Wäscheetiketten und gemäß der Programmtabelle sorgfältig aus.



6.7 Schalten Sie das Gerät ein.

Berühren Sie die „Ein/Aus“-Taste, um das Gerät einzuschalten (Abb. 6-5). Die LED der Taste „Start/Pause“ blinkt.

6.8 Wählen Sie ein Programm aus.

Um ein optimales Waschergebnis zu erzielen, wählen Sie ein Programm, das dem Verschmutzungsgrad und der Art der Wäsche entspricht.

Drehen Sie zur Programmauswahl den Programmwahlknopf (Abb. 6-6). Die zugehörige Programm-LED leuchtet auf und die Standardeinstellungen werden angezeigt.

i Hinweis: Geruchsbeseitigung

Vor der ersten Benutzung empfehlen wir, das Programm „Trommelpflege“ ohne Waschgut laufen zu lassen, um eventuell schädliche Rückstände zu entfernen. Falls erforderlich, geben Sie eine kleine Menge Spezialreiniger in das Waschladefach (3) oder direkt in den Eimer.



6.9 Individuelle Auswahlen hinzufügen

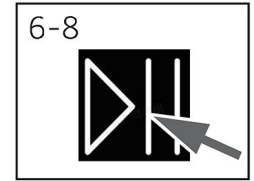
Wählen Sie die gewünschten Optionen und Einstellungen (Abb. 6-7) aus; siehe Bedienfeld.

6.10 Waschprogramm starten

Berühren Sie zum Starten die Taste Start/Pause (Abb. 6-8). Die LED der Taste Start/Pause hört auf zu blinken und leuchtet dauerhaft.

Das Gerät arbeitet mit den aktuellen Einstellungen.

Änderungen sind nur durch Abbrechen des Programms möglich.



6.11 Unterbrechen/abbrechen des Waschprogramms

Um ein laufendes Programm zu unterbrechen, berühren Sie leicht die Taste Start/Pause. Die LED über der Taste blinkt. Berühren Sie die Taste erneut, um den Betrieb wieder aufzunehmen.

Zum Abbrechen eines laufenden Programms und aller seiner individuellen Einstellungen:

1. Berühren Sie die Taste Start/Pause, um das laufende Programm zu unterbrechen.
2. Drücken Sie die Ein/Aus-Taste ungefähr 2 Sekunden lang, um das Gerät auszuschalten.
3. Tippen Sie die Ein/Aus-Taste an, um das Gerät einzuschalten, wählen Sie das Programm Schleudern und „Keine Drehzahl“ und lassen Sie das Programm Schleudern laufen, um das Wasser ablaufen zu lassen.
4. Nach Beendigung des Programms wählen Sie zum Neustart des Geräts ein neues Programm und starten es.

6.12 Nach dem Waschen



Hinweis: Türverriegelung

- Aus Sicherheitsgründen wird die Tür während des Waschgangs teilweise verriegelt. Das Öffnen der Tür ist nur am Ende des Programms oder nach einem korrekten Abbruch des Programms möglich (siehe Beschreibung oben).
- Bei hohem Wasserstand, hoher Wassertemperatur und während des Schleuderns ist es nicht möglich, die Tür zu öffnen; **Lock** wird angezeigt.

1. Am Ende des Programmzyklus wird **End** angezeigt.
2. Das Gerät schaltet sich automatisch aus.
3. Nehmen Sie die Wäsche so schnell wie möglich heraus, um sie zu schonen und eine weitere Faltenbildung zu vermeiden.
4. Drehen Sie das Wasser ab.
5. Ziehen Sie das Netzkabel ab.
6. Öffnen Sie die Tür, um die Bildung von Feuchtigkeit und Gerüchen zu vermeiden. Lassen Sie sie offen, wenn Sie die Maschine nicht verwenden.
7. Kleine Wäschestücke können nach dem Hochgeschwindigkeits-Trocknen leicht an der Wand kleben. Bitte vergessen Sie diese nicht, wenn Sie die Tür öffnen, um die Wäsche herauszunehmen.



Hinweis: Standby-Modus/Energiesparmodus

Das eingeschaltete Gerät schaltet in den Standby-Modus, wenn es nicht innerhalb von 2 Minuten vor Programmbeginn oder am Ende des Programms eingeschaltet wird. Das Display schaltet sich aus. Das spart Energie. Um den Standby-Modus zu unterbrechen, tippen Sie die Ein/Aus-Taste an.

6.13 Aktivieren oder Deaktivieren des Summers

Das akustische Signal kann bei Bedarf ausgewählt werden:

1. Schalten Sie das Gerät ein.
2. Wählen Sie das Programm „Mix“.
3. Drücken Sie die : **ExtraSpülen+Knitterschutz**

Auf dem Display wird „**OFF**“ angezeigt und der Summer wird deaktiviert.

Zum Aktivieren des Summers berühren Sie diese beiden Tasten erneut gleichzeitig, „**ON**“ wird angezeigt.

7.1 Allgemeine Informationen

Dieses Gerät ist mit WLAN-Technologie für die App-Bedienung über die hOn-App ausgestattet.



WARNUNG!

Befolgen Sie die in diesem Handbuch angegebenen Sicherheitsvorkehrungen auch bei der Verwendung des Geräts über die App. Die Befolgung dieser Anweisungen ist für eine sichere Verwendung unerlässlich.

7.2 Anforderungen

1. WLAN-Netzwerk: Es ist ein Router erforderlich, der mit 802.11 b/g/n und mit dem 2,4 GHz-Band kompatibel ist. 5-GHz-Netzwerke und öffentliche Netzwerke werden nicht unterstützt. Der Netzwerkname (SSID) muss zwischen 1 und 31 Zeichen und das Passwort zwischen 8 und 64 Zeichen lang sein. Die Verschlüsselungsoptionen umfassen offen, WPA-PSK und WPA2-PSK.
2. Kompatible Geräte: Die App ist für Android-, iOS- und Huawei-Geräte verfügbar, sowohl für Tablets als auch für Smartphones.
3. Positionierung: Installieren Sie das Gerät in einem Bereich mit einem starken WLAN-Signal.

Technische Merkmale WLAN:

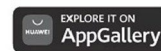
- Frequenz: 2400 MHz – 2483,5 MHz
- Max. Leistung: +20 dBm
- Standard: IEEE802.11b/g/n und Bluetooth® Low Energy v4.2

7.3 Download und Installation der hOn-App

1. Laden Sie die App über den QR-Code herunter oder besuchen Sie go.haier-europe.com/download-app.



Die App hOn
herunterladen



Hinweis: Anmeldung

Die Erstellung eines Profils (Anmeldung) ist nur bei der erstmaligen Nutzung erforderlich oder wenn das Konto gelöscht/deaktiviert wurde. Für die künftige Nutzung loggen Sie sich einfach mit Ihrer E-Mail-Adresse und Ihrem Passwort ein. Überprüfen Sie den DEMO-Modus in der App, um die WLAN-Funktionen zu erkunden.

1) Die Wörtermarke und die Logos von Bluetooth® sind eingetragene Marken der Bluetooth SIG, Inc. und die Verwendung dieser Marken durch die Candy Hoover Group Srl erfolgt unter Lizenz. Andere Marken und Handelsnamen gehören ihren jeweiligen Eigentümern.



7.4 Gerätekopplung

Hinweis:

Das Heimnetzwerk muss auf 2,4 GHz eingestellt sein; 5-GHz-Netzwerke werden nicht unterstützt. Vergewissern Sie sich, dass Ihr Smartphone mit demselben 2,4-GHz-WLAN-Netzwerk verbunden ist, das Sie zur Konfiguration des Geräts verwenden möchten.

1. Öffnen Sie die hOn-App, erstellen Sie ein neues Profil (oder melden Sie sich an, wenn Sie bereits über ein Profil verfügen).
2. Tippen Sie auf „Gerät hinzufügen“ und folgen Sie den Anweisungen auf dem Bildschirm Ihres Smartphones, um die Einrichtung abzuschließen.



7.5 Aktivierung der App-Bedienung

1. Stellen Sie sicher, dass der Router eingeschaltet und mit dem Internet verbunden ist.
2. Legen Sie die Wäsche ein und schließen Sie die Tür.
3. Schalten Sie das Gerät ein.
4. Drücken Sie kurz die Taste App-Bedienung . Die Tür wird verriegelt.
5. Starten Sie das Programm über die App. Das Bedienfeld wird mit Ausnahme der Tasten „EIN/AUS“ und „START/PAUSE“ deaktiviert. Nur die Kindersicherung ist während des Programms verfügbar.
6. Die App-Bedienung kann auch während des Programms durch kurzes Drücken der Taste App-Bedienung  aktiviert werden.

Hinweis: Ablauf der App-Bedienung

Sie können bis zu 24 Stunden nach Aktivierung der App-Bedienung einen Befehl von der App aus senden.

7.6 Deaktivierung der App-Bedienung


1. Während eines Programms können Sie die App-Bedienung durch kurzes Drücken der Taste App-Bedienung  deaktivieren; das Programm wird fortgesetzt. Sie können den Status des Programms in der App einsehen, jedoch keine Befehle senden (z. B. Stopp/Pause).
2. Wenn es die Sicherheitsbedingungen erlauben, kann die Tür geöffnet werden.
3. Um die App-Bedienung wieder aufzunehmen, vergewissern Sie sich, dass die Tür geschlossen ist, und drücken Sie dann erneut kurz die Taste App-Bedienung .

7.7 Programmende mit App-Bedienung

1. Bei Programmende wird die Tür entriegelt, und die App-Bedienung wird deaktiviert.
2. Nach 2 Minuten schaltet sich das Gerät automatisch aus.

7.8 Ausschalten des WLAN-Moduls und Löschen der Netzwerkanmeldeinformationen

Löschen der gespeicherten WLAN-Netzwerkinformationen und Ausschalten des WLAN-Moduls:

1. Schalten Sie das Gerät ein.
2. Ohne ein Programm zu starten, drücken Sie die Taste App-Bedienung  und halten Sie sie 5 Sekunden lang gedrückt, bis „rESt“ angezeigt wird.
3. Halten Sie die Taste „Zeitvorwahl“ für weitere 5 Sekunden gedrückt, bis „donE“ angezeigt wird.
4. Die Konfigurationsinformationen werden gelöscht. Wählen Sie zum Schließen ein Programm oder schalten Sie das Gerät aus.
5. Um die App neu zu konfigurieren, entfernen Sie das Gerät aus der hOn-App und starten Sie einen neuen Kopplungsvorgang.



Hinweis:

Wenden Sie dieses Verfahren nur an, wenn Sie beabsichtigen, das Gerät zu verkaufen.



Umweltverträgliche Verwendung

- ▶ Um Energie, Wasser, Waschmittel und Zeit optimal zu nutzen, sollten Sie die empfohlene maximale Ladungsmenge verwenden.
- ▶ Überladen Sie die Waschmaschine nicht (Handbreiter Abstand über der Wäsche).
- ▶ Für leicht verschmutzte Wäsche wählen Sie das Programm Express 15'.
- ▶ Dosieren Sie jedes Waschmittel genau.
- ▶ Wählen Sie die niedrigste geeignete Waschtemperatur - moderne Waschmittel reinigen effizient unter 60 °C.
- ▶ Erhöhen Sie die Standardeinstellungen nur bei starker Verschmutzung.



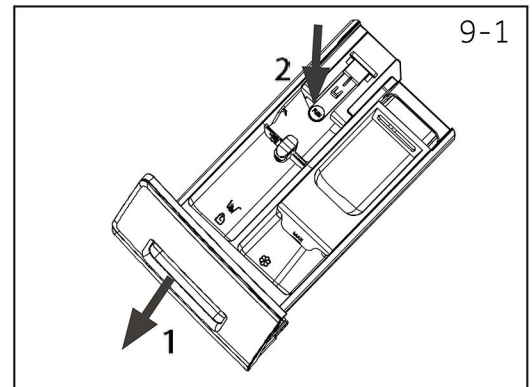
Allgemeine Informationen:

- ▶ Mit dem Programm „Eco 40-60“ kann normal verschmutzte Baumwollwäsche, die als bei 40°C oder 60°C waschbar deklariert ist, im selben Waschgang gereinigt werden. Dieses Programm wird verwendet, um die Einhaltung der EU-Ökodesign-Vorschriften zu bewerten.
- ▶ Die effizientesten Programme in Bezug auf den Energieverbrauch sind im Allgemeinen diejenigen, die bei niedrigeren Temperaturen und längerer Dauer laufen.
- ▶ Lärm und Restfeuchte werden durch die Schleudergeschwindigkeit beeinflusst: Je höher die Schleudergeschwindigkeit, desto höher der Lärm und desto niedriger die Restfeuchte.
- ▶ Eine Erhöhung der Kapazität von Wäsche in oder aus - Waschmaschinen auf die von dem Hersteller für den jeweiligen Plan vorgesehene Kapazität würde zur Energie- und Wassereinsparnis beitragen.

9.1 Reinigung der Waschmittelschublade

Achten Sie stets darauf, dass keine Waschmittelrückstände vorhanden sind. Reinigen Sie die Schublade regelmäßig (Abb. 9-1):

1. Ziehen Sie die Schublade bis zum Anschlag heraus.
2. Drücken Sie die Entriegelungstaste und nehmen Sie die Schublade heraus.
3. Wischen Sie die Innenseite des Waschbeckens mit einem Handtuch sauber.
4. Spülen Sie die Schublade mit Wasser aus, bis sie sauber ist, und setzen Sie die Schublade wieder in das Gerät ein.



9.2 Reinigung der Maschine

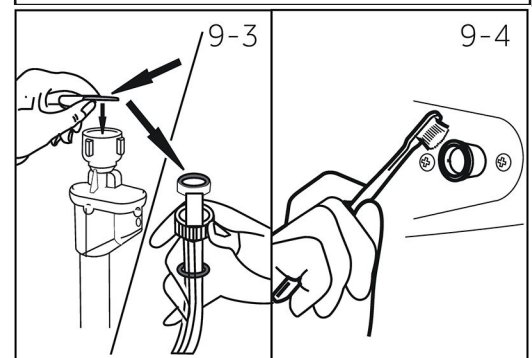
- ▶ Ziehen Sie während der Reinigung und Wartung den Netzstecker.
- ▶ Reinigen Sie das Maschinengehäuse (Abb. 9-2) und die Gummitteile mit einem weichen Tuch und Seifenflüssigkeit.
- ▶ Verwenden Sie keine organischen Chemikalien oder ätzenden Lösungsmittel.



9.3 Wassereinlassventil und Filter des Einlassventils

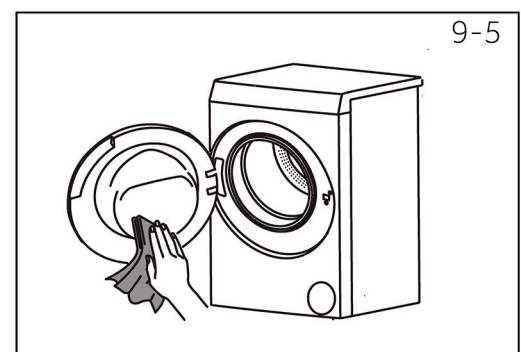
Um eine Verstopfung der Wasserzufuhr durch feste Stoffe wie Kalk zu verhindern, reinigen Sie regelmäßig den Filter des Einlassventils.

- ▶ Ziehen Sie den Netzstecker und stellen Sie die Wasserversorgung ab.
- ▶ Schrauben Sie den Wasserzulaufschlauch auf der Rückseite des Geräts (Abb. 9-3) sowie am Wasserhahn ab.
- ▶ Spülen Sie den Filter mit Wasser und reinigen Sie ihn mit einer Bürste (Abb. 9-4).
- ▶ Setzen Sie den Filter ein und montieren Sie den Zulaufschlauch.
- ▶ Drehen Sie den Wasserhahn auf, um zu sehen, ob er undicht ist.



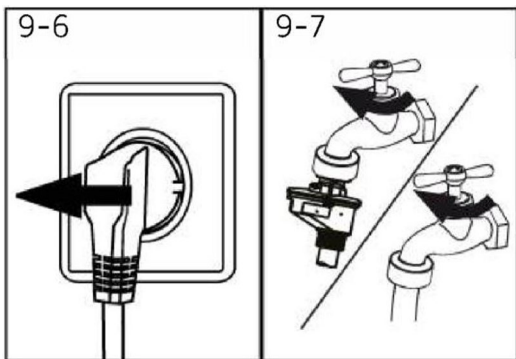
9.4 Reinigung der Trommel

- ▶ Entfernen Sie versehentlich mitgewaschene Gegenstände, insbesondere Metallteile wie Stecknadeln, Münzen usw. aus der Trommel und der Türdichtung (Gummiring), da sie Rostflecken und Schäden verursachen.
- ▶ Verwenden Sie zum Entfernen von Rostflecken einen chlorfreien Reiniger. Beachten Sie die Warnhinweise des Waschmittelherstellers.
- ▶ Verwenden Sie zur Reinigung keine harten Gegenstände oder Stahlwolle.
- ▶ Nach dem Reinigungsvorgang öffnen Sie die Tür, reinigen Sie die Flecken und den Schaum um die Dichtung herum mit einem Handtuch und halten Sie die Dichtung innen und außen sauber (Abb. 9-5).

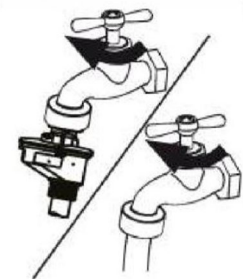


i Hinweis: Hygiene

Für die regelmäßige Wartung empfehlen wir, alle 50 Waschgänge das Programm „Trommelreinigung“ auszuführen, um mögliche korrosive Rückstände zu vermeiden. Falls erforderlich, geben Sie eine kleine Menge Spezialreiniger in das Waschmittelfach (3) oder direkt in den Eimer.



9-6



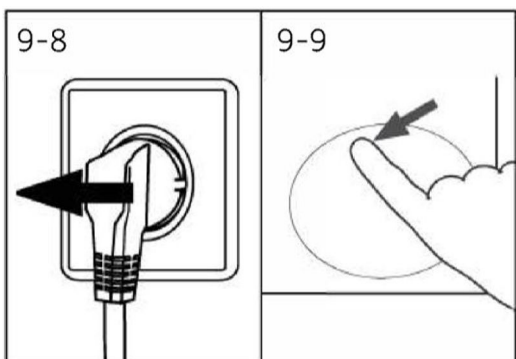
9-7

9.5 Lange Zeiträume der Nichtnutzung

Wenn das Gerät über einen längeren Zeitraum nicht verwendet wird:

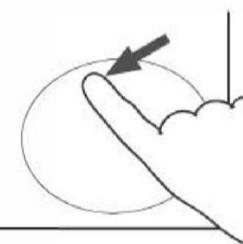
1. Ziehen Sie den Netzstecker heraus (Abb. 9-6).
2. Drehen Sie die Wasserzufuhr ab (Abb. 9-7).
3. Öffnen Sie die Tür, um die Bildung von Feuchtigkeit und Gerüchen zu vermeiden. Lassen Sie die Tür offen, wenn Sie die Maschine nicht verwenden.

Überprüfen Sie vor der nächsten Verwendung sorgfältig das Netzkabel, den Wasserzulauf und den Ablaufschlauch. Stellen Sie sicher, dass alles ordnungsgemäß installiert ist und es keine Leckagen gibt.



9-8

9-9



9.6 Filter der Pumpe

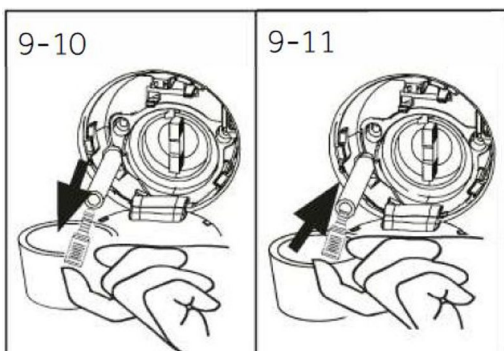
Reinigen Sie den Filter einmal im Monat und überprüfen Sie beispielsweise den Pumpenfilter, wenn Folgendes beim Gerät auftritt:

- ▶ Das Wasser läuft nicht ab.
- ▶ Das Gerät schleudert nicht.
- ▶ Das Gerät verursacht ungewöhnliche Geräusche beim Betrieb.



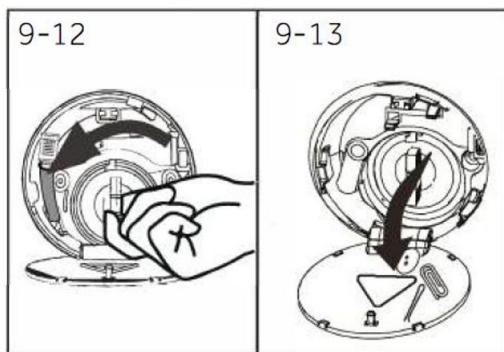
WARNUNG!

Verbrühungsgefahr! Das Wasser im Pumpenfilter kann sehr heiß sein! Bevor Sie etwas unternehmen, stellen Sie bitte sicher, dass das Wasser abgekühlt ist.



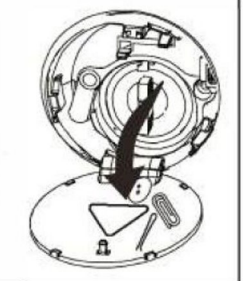
9-10

9-11



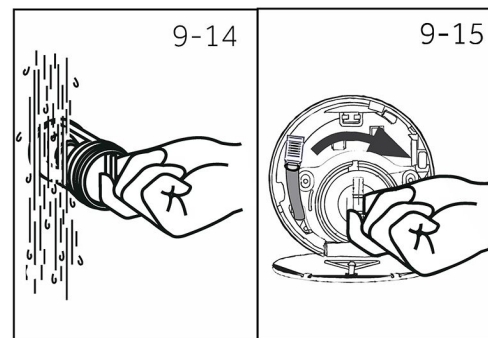
9-12

9-13



1. Schalten Sie das Gerät aus und ziehen Sie den Netzstecker (Abb. 9-8).
2. Drücken und öffnen Sie die Wartungsklappe (Abb. 9-9).
3. Stellen Sie einen flachen Behälter zum Auffangen von Waschwasser bereit (Abb. 9-10). Es könnten größere Mengen sein!
4. Ziehen Sie den Ablaufschlauch heraus und halten Sie sein Ende über den Behälter (Abb. 9-10).
5. Nehmen Sie den Verschlussstopfen aus dem Ablaufschlauch (Abb. 9-10).
6. Nach vollständiger Entleerung schließen Sie den Ablaufschlauch (Abb. 9-11) und schieben ihn zurück in die Maschine.
7. Schrauben Sie den Pumpenfilter gegen den Uhrzeigersinn ab und entfernen Sie ihn (Abb. 9-12).
8. Entfernen Sie Verunreinigungen und Schmutz (Abb. 9-13).

9. Reinigen Sie den Pumpenfilter vorsichtig, z. B. unter fließendem Wasser (Abb. 9-14).
10. Nach der Reinigung bringen Sie den Griff wieder an und ziehen ihn fest, bis er sich nicht mehr bewegt. Zu diesem Zeitpunkt befindet sich der Griff in vertikaler Position (Abb. 9-15).
11. Schließen Sie die Wartungsklappe.



VORSICHT!

- ▶ Die Dichtung des Pumpenfilters muss sauber und unversehrt sein. Wenn der Deckel nicht ganz fest angezogen ist, kann Wasser austreten.
- ▶ Der Filter muss an seinem Platz sein, anderenfalls kann es zu Leckagen kommen.

9.7 Trommelreinigung

Dieses Programm wird zur Reinigung der Innen- und Außenseite von Waschmaschinentrommeln verwendet, und für unterschiedliche Einsatzszenarien können verschiedene Reinigungsmodi gewählt werden.

1. Flusen-Reinigungsmodus: Wählen Sie das Programm „Trommelreinigung“ und berühren Sie die Taste „Temp.“, stellen Sie die Temperatur auf „--“ (keine Heizung) ein, zeigen Sie die Laufzeit „0:08“ an und starten Sie das Programm. Während der Benutzung können sich im Inneren der Waschmaschine Flusen ansammeln. Mit diesem Modus lassen sich Flusen wirksam entfernen. Bitte fügen Sie kein Waschmittel hinzu und stellen Sie sicher, dass sich keine Kleidungsstücke im Inneren der Trommel befinden.

2. Selbstreinigungsmodus der Trommel: Wählen Sie das Programm „Trommelreinigung“ und berühren Sie die Taste „Temp.“, stellen Sie die Temperatur auf „90 °C“ ein, zeigen Sie die Laufzeit von „1:00“ an und starten Sie das Programm. Mit diesem Modus können Restverschmutzungen an der Trommelwand durch Hochtemperaturreinigung effektiv entfernt werden. Fügen Sie kein Waschmittel hinzu und achten Sie darauf, dass sich keine Kleidungsstücke im Inneren der Trommel befinden.

Hinweis: Im Standby-Modus können Sie unter einem beliebigen Programm das Programm „Trommelreinigung“ auswählen.

Viele auftretende Probleme können auch ohne besondere Fachkenntnisse selbst gelöst werden. Im Falle eines Problems überprüfen Sie bitte alle gezeigten Möglichkeiten und befolgen Sie die unten stehenden Anweisungen, bevor Sie sich an den Kundendienst wenden. Siehe KUNDENDIENST.



WARNUNG!

- ▶ Schalten Sie das Gerät vor der Wartung aus und ziehen Sie den Netzstecker aus der Steckdose.
- ▶ Elektrogeräte sollten nur von qualifizierten Elektrofachleuten gewartet werden, da unsachgemäße Reparaturen erhebliche Folgeschäden verursachen können.
- ▶ Ein beschädigtes Netzkabel sollte nur vom Hersteller, seinen Kundendienst oder ähnlich qualifizierte Personen ausgetauscht werden, um eine Gefahr zu vermeiden.

10.1 Codes für Informationen

Die folgenden Codes werden nur angezeigt, wenn es sich um Informationen zum Waschgang handelt. Es müssen keine Maßnahmen durchgeführt werden.

Code	Nachricht
1:25	Die verbleibende Zeit des Waschvorgangs beträgt 1 Stunde und 25 Minuten.
6:30	Die verbleibende Zeit des Waschvorgangs einschließlich der gewählten Endzeitverzögerung beträgt 6 Stunden und 30 Minuten.
End	Der Waschvorgang ist beendet. Das Gerät schaltet sich automatisch aus.
Loct	Die Tür ist aufgrund eines hohen Wasserstands, einer hohen Wassertemperatur oder eines Schleudergangs geschlossen.
OFF	Der Summer ist deaktiviert.
ON	Der Summer ist aktiviert.
cLoct	Die Funktionstasten sind geschlossen. Der Programmwechsel ist ungültig.

10.2 Fehlersuche mit Display-Code

Problem	Ursache	Lösung
CLr FLtr	<ul style="list-style-type: none"> • Fehler beim Entleeren, das Wasser wird nicht innerhalb von 6 Minuten vollständig entleert. 	<ul style="list-style-type: none"> • Reinigen Sie den Pumpenfilter. • Überprüfen Sie die Installation des Ablaufschlauchs.
E2	<ul style="list-style-type: none"> • Fehler beim Verriegeln. 	<ul style="list-style-type: none"> • Schließen Sie die Tür richtig.
E4	<ul style="list-style-type: none"> • Wasserstand nach 12 Minuten nicht erreicht. • Der Ablaufschlauch entleert sich automatisch. 	<ul style="list-style-type: none"> • Stellen Sie sicher, dass der Wasserhahn vollständig geöffnet ist und der Wasserdruck normal ist. • Überprüfen Sie die Installation des Ablaufschlauchs.
E8	<ul style="list-style-type: none"> • Fehler beim Schutz des Wasserstands. 	<ul style="list-style-type: none"> • Wenden Sie sich an den Kundendienst.
E5	<ul style="list-style-type: none"> • Fehler beim Abpumpen. Das Wasser wird in der vorgegebenen Zeit nicht vollständig abgelassen. (Programm Refresh) 	<ul style="list-style-type: none"> • Reinigen Sie den Pumpenfilter. • Überprüfen Sie die Installation des Ablaufschlauchs.
F3	<ul style="list-style-type: none"> • Fehler des Temperatursensors. 	<ul style="list-style-type: none"> • Wenden Sie sich an den Kundendienst.
E4	<ul style="list-style-type: none"> • Heizfehler. 	<ul style="list-style-type: none"> • Wenden Sie sich an den Kundendienst.
F7	<ul style="list-style-type: none"> • Motorfehler. 	<ul style="list-style-type: none"> • Wenden Sie sich an den Kundendienst.
FA	<ul style="list-style-type: none"> • Fehler beim Wasserstandssensor. 	<ul style="list-style-type: none"> • Wenden Sie sich an den Kundendienst.

Problem	Ursache	Lösung
<i>FH</i>	<ul style="list-style-type: none"> Das IoT-Modul kann nicht konfiguriert werden. 	<ul style="list-style-type: none"> Wenden Sie sich an den Kundendienst.
<i>FCC, FC 1 oder FCC2</i>	<ul style="list-style-type: none"> Anormaler Kommunikationsfehler. 	<ul style="list-style-type: none"> Wenden Sie sich an den Kundendienst.
<i>Eb</i>	<ul style="list-style-type: none"> Kleidung wird erfasst. 	<ul style="list-style-type: none"> Öffnen Sie die Maschinentür, legen Sie die Wäsche ordnungsgemäß ein und drücken Sie dann die Start-Taste, um das Programm zu starten.

10.3 Fehlersuche ohne Display-Code

Problem	Ursache	Lösung
Die Waschmaschine funktioniert nicht.	<ul style="list-style-type: none"> Das Programm ist noch nicht gestartet. Die Tür ist nicht richtig geschlossen. Die Maschine wurde nicht eingeschaltet. Stromausfall. Die Kindersicherung ist aktiviert. 	<ul style="list-style-type: none"> Überprüfen Sie das Programm und starten Sie es. Schließen Sie die Tür richtig. Schalten Sie die Maschine ein. Überprüfen Sie die Stromversorgung. Deaktivieren Sie die Kindersicherung.
Die Waschmaschine wird nicht mit Wasser gefüllt.	<ul style="list-style-type: none"> Kein Wasser. Der Zulaufschlauch ist geknickt. Der Filter des Zulaufschlauchs ist verstopft. Der Wasserdruck beträgt weniger als 0,03 MPa. Die Tür ist nicht richtig geschlossen. Ausfall der Wasserversorgung. 	<ul style="list-style-type: none"> Überprüfen Sie den Wasserhahn. Überprüfen Sie den Zulaufschlauch. Reinigen Sie den Filter des Zulaufschlauchs. Überprüfen Sie den Wasserdruck. Schließen Sie die Tür richtig. Stellen Sie die Wasserversorgung sicher.
Die Maschine entleert sich, während sie befüllt wird.	<ul style="list-style-type: none"> Die Höhe des Ablaufschlauchs liegt unter 80 cm. Das Ende des Ablaufschlauchs könnte ins Wasser reichen. 	<ul style="list-style-type: none"> Stellen Sie sicher, dass der Ablaufschlauch richtig installiert ist. Stellen Sie sicher, dass sich der Ablaufschlauch nicht im Wasser befindet.
Fehler bei der Entleerung.	<ul style="list-style-type: none"> Der Ablaufschlauch ist verstopft. Der Pumpenfilter ist verstopft. Das Ende des Ablaufschlauchs liegt höher als 100 cm über dem Boden. 	<ul style="list-style-type: none"> Reinigen Sie den Ablaufschlauch. Reinigen Sie den Pumpenfilter. Stellen Sie sicher, dass der Ablaufschlauch richtig installiert ist.
Starke Vibrationen beim Schleudern.	<ul style="list-style-type: none"> Nicht alle Transportbolzen wurden entfernt. Das Gerät steht nicht stabil. Die Maschine ist nicht richtig beladen. 	<ul style="list-style-type: none"> Entfernen Sie alle Transportbolzen. Achten Sie auf einen festen Untergrund und eine ebene Fläche. Prüfen Sie das Gewicht und das Gleichgewicht der Beladung.
Der Betrieb stoppt vor Beendigung des Waschprogramms.	<ul style="list-style-type: none"> Wasser- oder Stromausfall. 	<ul style="list-style-type: none"> Überprüfen Sie die Strom- und Wasserversorgung.
Der Betrieb wird für einen bestimmten Zeitraum unterbrochen.	<ul style="list-style-type: none"> Das Gerät zeigt einen Fehlercode an. Problem aufgrund des Beladungsmusters. Das Programm weicht die Wäsche ein. 	<ul style="list-style-type: none"> Prüfen Sie die Display-Codes. Reduzieren Sie die Beladung oder passen Sie sie an. Brechen Sie das Programm ab und starten Sie es erneut.
Übermäßiger Schaum schwimmt in der Trommel und/ oder in der Waschmittelschublade.	<ul style="list-style-type: none"> Das Waschmittel ist nicht geeignet. Übermäßiger Gebrauch von Waschmittel. 	<ul style="list-style-type: none"> Überprüfen Sie die Waschmittелеmpfehlungen. Reduzieren Sie die Menge an Waschmittel.

Problem	Ursache	Lösung
Automatische Einstellung der Waschzeit.	<ul style="list-style-type: none"> Die Dauer des Waschprogramms wird angepasst. 	<ul style="list-style-type: none"> Das ist normal und beeinträchtigt die Funktionalität nicht.
Das Schleudern schlägt fehl.	<ul style="list-style-type: none"> Ungleichgewicht der Wäsche. 	<ul style="list-style-type: none"> Überprüfen Sie die Maschinenladung und die Wäsche und führen Sie erneut ein Schleuderprogramm durch.
Unbefriedigendes Waschergebnis.	<ul style="list-style-type: none"> Der Verschmutzungsgrad stimmt nicht mit dem gewählten Programm überein. Die Waschmittelmenge war nicht ausreichend. Die maximale Ladung wurde überschritten. Die Wäsche war ungleichmäßig in der Trommel verteilt. 	<ul style="list-style-type: none"> Wählen Sie ein anderes Programm. Wählen Sie das Waschmittel nach dem Grad der Verschmutzung und nach den Herstellerangaben aus. Reduzieren Sie die Ladung. Legen Sie die Wäsche lose in die Maschine.
Waschmittelrückstände befinden sich auf der Wäsche.	<ul style="list-style-type: none"> Unlösliche Partikel des Waschmittels können als weiße Flecken auf der Wäsche zurückbleiben. 	<ul style="list-style-type: none"> Führen Sie eine zusätzliche Spülung durch. Versuchen Sie, die Partikel aus der trockenen Wäsche zu bürsten. Wählen Sie ein anderes Waschmittel.
Die Wäsche hat graue Flecken.	<ul style="list-style-type: none"> Verursacht durch Fette wie Öle, Cremes oder Salben. 	<ul style="list-style-type: none"> Behandeln Sie die Wäsche mit einem Spezialreiniger vor.

Hinweis: Schaumbildung

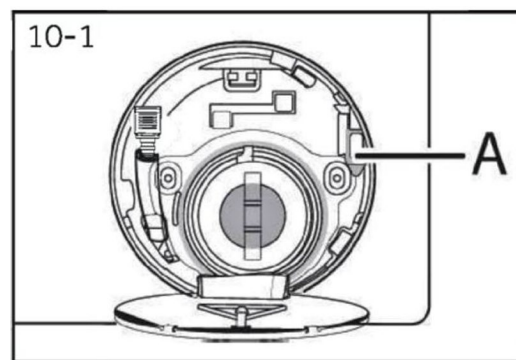
Wenn während des Schleudergangs zu viel Schaum festgestellt wird, stoppt der Motor und die Ablaufpumpe wird 90 Sekunden lang aktiviert. Wenn diese Schaumentfernung bis zu dreimal fehlschlägt, wird das Programm ohne Schleudern beendet.


Sollten die Fehlermeldungen trotz der getroffenen Maßnahmen erneut auftreten, schalten Sie das Gerät aus, trennen Sie es von der Stromversorgung und wenden Sie sich an den Kundendienst.

10.4 Im Falle eines Stromausfalls

Das aktuelle Programm und seine Einstellung werden gespeichert. Sobald die Stromversorgung wiederhergestellt ist, wird der Betrieb wieder aufgenommen.

Wenn ein Stromausfall ein laufendes Waschprogramm unterbricht, wird die Türöffnung mechanisch blockiert. Zum Herausholen der Wäsche sollte kein Wasserstand im gläsernen Bullauge der Tür zu sehen sein. - Gefahr von Verbrennungen! Der Wasserstand muss wie unter „Pumpenfilter“ beschrieben gesenkt werden. Ziehen Sie erst dann den Hebel (A) unter der Wartungsklappe (Abb. 10-1), wenn die Tür durch ein leichtes Klicken entriegelt wird. Befestigen Sie anschließend alle Teile wieder.



 Wenn sich die Waschmaschine in einem sicheren Zustand befindet (das heißt, der Wasserstand befindet sich unterhalb des Fensters, die Trommeltemperatur liegt unter 55 °C, die innere Trommel dreht sich nicht mehr), kann die Tür der Maschine entriegelt werden.

11.1 Vorbereitung

- ▶ Nehmen Sie das Gerät aus der Verpackung.
- ▶ Entfernen Sie das gesamte Verpackungsmaterial, einschließlich der Schutzfolie auf dem Gehäuse und des Styroporbodens, und bewahren Sie sie außerhalb der Reichweite von Kindern auf. Beim Öffnen der Verpackung können Wassertropfen auf dem Plastikbeutel und dem Bullauge zu sehen sein. Dieses normale Phänomen ist das Ergebnis von Wassertests in der Fabrik.

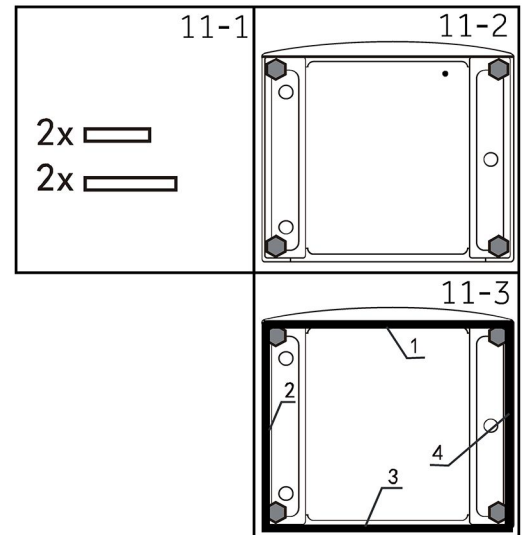


Hinweis: Entsorgung der Verpackung

Bewahren Sie alle Verpackungsmaterialien außerhalb der Reichweite von Kindern auf und entsorgen Sie sie auf umweltfreundliche Weise.

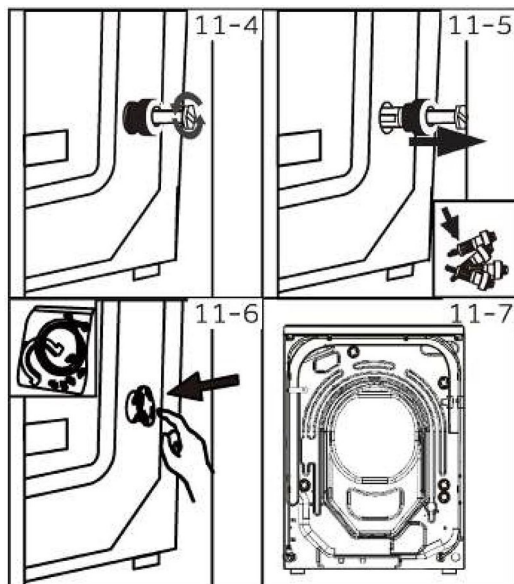
11.2 OPTIONAL: Anbringen von Pads zur Geräuschreduzierung

1. Wenn Sie die Schrumpfverpackung öffnen, finden Sie vier Pads zur Geräuschreduzierung. Diese werden zur Rauschunterdrückung eingesetzt (Abb. 11-1).
2. Legen Sie die Waschmaschine auf die Seite, sodass das Bullauge nach oben und die Unterseite zum Benutzer zeigt (Abb. 11-2).
3. Nehmen Sie die Pads zur Geräuschreduzierung heraus und entfernen Sie die doppelseitig klebende Schutzfolie; kleben Sie die Pads zur Geräuschreduzierung wie in Abbildung 3 gezeigt unter das Waschmaschinengehäuse (zwei längere Pads in Position 1 und 3, zwei kürzere Pads in Position 2 und 4). Stellen Sie die Maschine schließlich wieder aufrecht hin (Abb. 11-3).



Tipp:

Pads zur Geräuschunterdrückung sind optional und können helfen, Lärm zu reduzieren. Bitte montieren Sie sie oder montieren Sie sie nicht, je nach Ihren eigenen Anforderungen.



11.3 Entfernen der Transportbolzen

Die Transportbolzen dienen zum Festklemmen von Antivibrationskomponenten im Inneren des Geräts während des Transports, um Schäden im Inneren zu vermeiden.

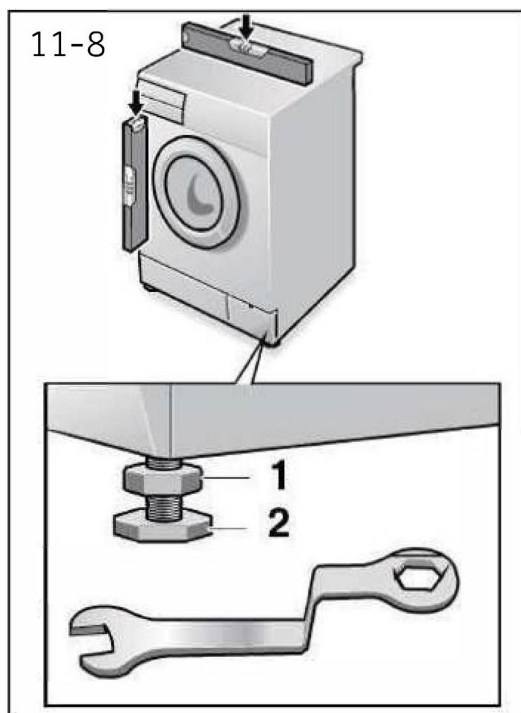
1. Entfernen Sie alle 4 Schrauben auf der Rückseite und nehmen Sie die Kunststoffabstandshalter heraus (Abb. 11-4) (Abb. 11-5).
2. Füllen Sie die verbleibenden Löcher mit Blindstopfen (Abb. 11-6) (Abb. 11-7).

i Hinweis: An einem sicheren Ort aufbewahren

Bewahren Sie alle Teile der Transportsicherung für die spätere Verwendung an einem sicheren Ort auf. Wenn das Gerät bewegt werden soll, müssen vorher die Schutzvorrichtungen wieder angebracht werden.

11.4 Transport des Geräts

Wenn die Maschine an einen anderen Ort transportiert werden soll, bringen Sie die vor der Installation entfernten Transportbolzen wieder an, um Schäden zu vermeiden: Die Montage erfolgt in umgekehrter Reihenfolge.



11.5 Ausrichten des Geräts

Stellen Sie alle Füße ein (Abb. 11-8), um eine vollständig waagerechte Position zu erreichen. Dadurch werden Vibrationen und damit auch Geräusche während der Verwendung minimiert. Außerdem wird dadurch der Verschleiß verringert. Wir empfehlen, für die Einstellung eine Wasserwaage zu verwenden. Der Boden sollte so stabil und flach wie möglich sein.

1. Lösen Sie die Kontermutter (1) mit einem Schraubenschlüssel.
2. Stellen Sie die Höhe durch Drehen des Fußes (2) ein.
3. Ziehen Sie die Kontermutter (1) gegen das Gehäuse fest.

11.6 Abwasseranschluss

Befestigen Sie den Wasserablaufschlauch ordnungsgemäß an der Rohrleitung. Der Schlauch muss an einem Punkt eine Höhe von 80 bis 100 cm über dem Gerät erreichen! Lassen Sie den Ablaufschlauch möglichst immer an der Schelle an der Geräterückseite befestigt.



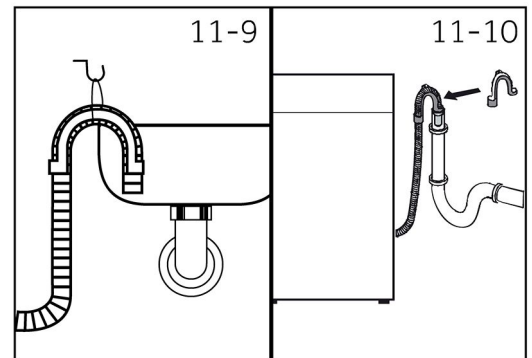
WARNUNG!

- ▶ Verwenden Sie für den Anschluss nur den mitgelieferten Schlauchsatz.
- ▶ Verwenden Sie niemals alte Schläuche wieder!
- ▶ Schließen Sie den Schlauch nur an die Kaltwasserversorgung an.
- ▶ Überprüfen Sie vor dem Anschluss, ob das Wasser sauber und klar ist.

Folgende Anschlüsse sind möglich:

11.6.1 Ablaufschlauch zum Waschbecken

- ▶ Hängen Sie den Ablaufschlauch mit der U-Halterung über den Rand eines ausreichend großen Waschbeckens (Abb. 11-9).
- ▶ Sichern Sie die U-Halterung ausreichend gegen Verrutschen.

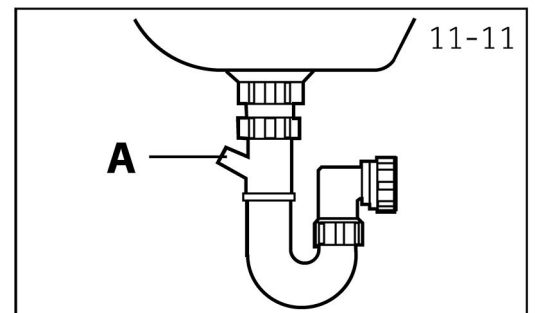


11.6.2 Ablaufschlauch zum Abwasseranschluss

- ▶ Der Innendurchmesser des Standrohrs mit Entlüftungsbohrung muss mindestens 40 mm betragen.
- ▶ Stecken Sie den Ablaufschlauch etwa 80-100 mm in das Abwasserrohr.
- ▶ Bringen Sie die U-Halterung an und sichern Sie sie ausreichend (Abb. 11-10).

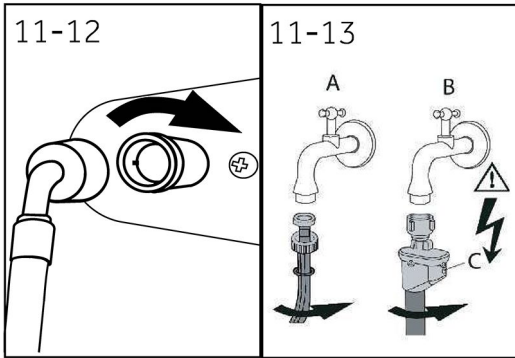
11.6.3 Anschluss des Ablaufschlauchs an das Waschbecken

- ▶ Die Verbindungsstelle muss oberhalb des Siphons liegen.
- ▶ Der Anschluss an den Stutzen wird in der Regel durch ein Pad (A) verschlossen. Dieses muss entfernt werden, um Funktionsstörungen zu vermeiden (Abb. 11-11).
- ▶ Sichern Sie den Ablaufschlauch mit einer Schelle.



VORSICHT!

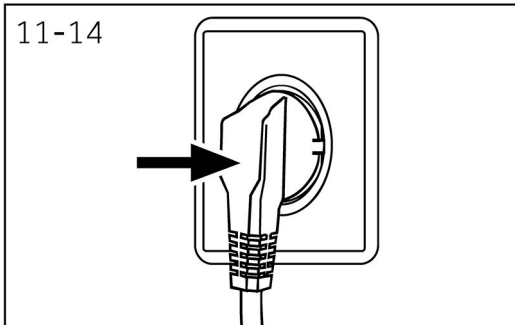
- ▶ Der Ablaufschlauch darf nicht in Wasser getaucht werden und muss sicher befestigt und leckfrei sein. Wird der Ablaufschlauch auf den Boden gelegt oder befindet sich das Rohr in einer Höhe von weniger als 80 cm, wird das Wasser der Waschmaschine während des Befüllens kontinuierlich entleert (automatische Entleerung).
- ▶ Der Ablaufschlauch darf nicht verlängert werden. Wenden Sie sich bei Bedarf an den Kundendienst.



11.7 Frischwasseranschluss

Stellen Sie sicher, dass die Dichtungen eingesetzt sind.

1. Schließen Sie den Wasserzulaufschlauch mit dem abgewinkelten Ende an das Gerät an (Abb. 11-12). Ziehen Sie die Verschraubung von Hand an.
2. Das andere Ende wird an einen Wasserhahn mit einem 3/4"-Gewinde angeschlossen (Abb. 11-13).



11.8 Elektrischer Anschluss

Überprüfen Sie vor jedem Anschluss Folgendes:

- ▶ Die Stromversorgung, die Steckdose und die Sicherung müssen den Angaben auf dem Typenschild entsprechen.
- ▶ Die Steckdose ist geerdet und es dürfen keine Mehrfachstecker oder Verlängerungen verwendet werden.
- ▶ Der Netzstecker und die Steckdose entsprechen strikt den Angaben.
- ▶ **Nur UK:** Der britische Stecker entspricht der Norm BS1363A.

Stecken Sie den Stecker in die Steckdose (Abb. 11-14).



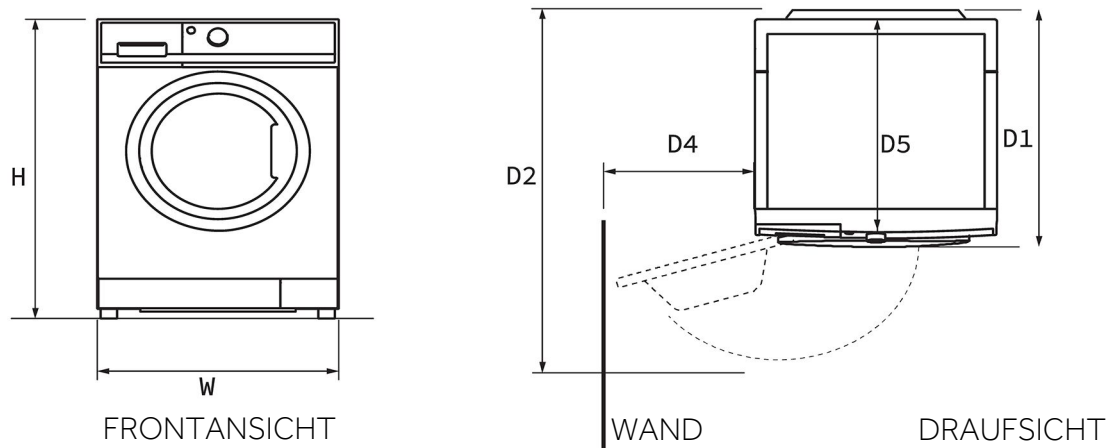
WARNUNG!

- ▶ Stellen Sie immer sicher, dass alle Anschlüsse (Stromanschluss, Abfluss und Frischwasserschlauch) fest, trocken und leckfrei sind!
- ▶ Achten Sie darauf, dass diese Teile nicht gequetscht, geknickt oder verdreht werden.
- ▶ Wenn das Netzkabel beschädigt ist, muss es durch den Kundendienst ersetzt werden (siehe Garantiekarte), um eine Gefahr zu vermeiden.

12.1 Zusätzliche technische Daten

	HW100-B14667U1
Spannung in V	220V - 240V/ 50Hz
Stromstärke in A	10
Max. Leistung in W	2000
Wasserdruck in MPa	$0.03 \leq P \leq 1$
Nettogewicht in kg	74

12.2 Abmessungen des Produkts



PRODUKTABMESSUNGEN		HW100-B14667U1
H	Gesamthöhe des Produkts in mm	850
W	Gesamtbreite des Produkts in mm	595
D5	Gesamttiefe des Produkts (bis zum Hauptbedienfeld) mm	544
D1	Gesamttiefe des Produkts (einschließlich der Dicke der Tür) mm	598
D2	Tiefe der geöffneten Tür in mm	1084
D4	Mindestabstand der Tür zur angrenzenden Wand in mm	188

Hinweis: Die genaue Höhe Ihrer Waschmaschine hängt davon ab, wie weit die Füße von der Basis der Maschine entfernt sind. Der Raum, in dem Sie Ihre Waschmaschine installieren, muss mindestens 40 mm breiter und 20 mm tiefer sein als die Abmessungen der Maschine.

12.3 Normen und Richtlinien

Dieses Produkt erfüllt die Anforderungen aller geltenden EG-Richtlinien mit den entsprechenden harmonisierten Normen, die eine CE-Kennzeichnung vorsehen.

Wir empfehlen unseren Haier-Kundendienst und die Verwendung von Original-Ersatzteilen, wobei die Mindestdauer der Ersatzteile für die Haushaltswaschmaschine 10 Jahre beträgt. Wenn Sie ein Problem mit Ihrem Gerät haben, lesen Sie bitte zuerst den Abschnitt FEHLERSUCHE.

Wenn Sie dort keine Lösung finden, wenden Sie sich bitte an:

- ▶ Ihren Händler vor Ort.
- ▶ den Kundendienst- und Support-Bereich auf www.haier-europe.com, wo Sie Telefonnummern und FAQs finden und die Reparaturansprüche geltend machen können.

Für spezifische Produktinformationen melden Sie sich bitte auf der offiziellen Haier-Website https://www.haier-europe.com/en_GB/technical-assistance/ an und suchen Sie das von Ihnen verwendete Modell. Klicken Sie auf das Produkt, um zur Detailseite zu gelangen, und klicken Sie dann auf „Documents“, um das Benutzerhandbuch zum Herunterladen zu finden. Sie können die Produktinformationen auch auf dieser Seite finden.

Wenn Sie mit unserem Kundendienst Kontakt aufnehmen möchten, halten Sie bitte die folgenden Daten bereit.

Die Angaben sind auf dem Typenschild zu finden.

Modell _____ Seriennummer _____

Überprüfen Sie im Garantiefall auch die mit dem Produkt gelieferte Garantiekarte.

Für allgemeine Geschäftsanfragen finden Sie nachstehend unsere Adressen in Europa:

Europäische Haier-Adressen

Land *	Postanschrift	Land *	Postanschrift
Italien	Haier Europe Trading SRL Via De Cristoforis, 12 21100 Varese ITALIEN	Frankreich	Haier France SAS 3-5 rue des Gravieres 92200 Neuilly sur Seine FRANKREICH
Spanien Portugal	Haier Iberia SL Pg. Garcia Faria, 49-51 08019 Barcelona SPANIEN	Belgien-FR Belgien-NL Niederlande Luxemburg	Haier Benelux SA Anderlecht Straße von Lennik 451 BELGIEN
Deutschland Österreich	Haier Deutschland GmbH Hewlett-Packard-Str. 4 D-61352 Bad Homburg DEUTSCHLAND	Polen Ungarn Griechenland Rumänien Russland	Haier Poland Sp.zo.o.Al. Jerozolimskie 181B 02- 222 Warszawa POLEN
Vereinigtes Königreich	Haier Appliances UK Co. Ltd. One Crown Square Kirchstraße Ost Woking, Surrey, GU21 6HR UK	Tschechische Republik und Slowakei	Haier Europe CR s.r.o. Sokolovska 651/136a, 186 00 Praha 8, Tschechische Republik

*Weitere Informationen finden Sie unter www.haier-europe.com.

Modellinformationen finden Sie in der Produktdatenbank unter <https://eprel.ec.europa.eu/>, indem Sie nach der Modellkennung suchen, die im Feld Modell des auf dem Produkt angebrachten Etiketts angegeben ist: den Link zum Modell in der Produktdatenbank finden Sie hier unten für jede Modellkennung:

HW100-B14667U1

Haier



0020509288EBC