

NAVEE

NAVEE Electric Scooter

NT5 Max/NT5 Ultra X

EN Important Information
FR Informations importantes
DE Wichtige Informationen
IT Informazioni importanti
ES Información importante
NL Belangrijke informatie
PT Informações importantes
PL Ważne informacje

SE Viktig information
FI Tärkeä tieto
NO Viktig informasjon
DK Vigtig informationВажна
BG информация
HU Fontos információ
EL Σημαντικές Πληροφορίες
RO Informații importante

1. Safety Instructions

Original instructions

IMPORTANT! Please read carefully before using the product and keep for future reference.

For detailed e-manual, please visit www.naveetech.com

- This appliance is not intended for use by persons (including children) with reduced physical, sensory or mental capabilities, or lack of experience and knowledge, unless they have been given supervision or instruction concerning use of the appliance by a person responsible for their safety. Children should be supervised to ensure that they do not play with the appliance.
- This appliance can be used by children aged from 8 years and above and persons with reduced physical, sensory or mental capabilities or lack of experience and knowledge if they have been given supervision or instruction concerning use of the appliance in a safe way and understand the hazards involved. Children shall not play with the appliance. Cleaning and user maintenance shall not be made by children without supervision.
- The appliance is only to be used with the power supply unit provided with the appliance.
- Before riding, please wear helmets, hand/wrist pads, knee pads, elbow pads, and other protective gear at all times.
- The scooter shall be used by one person only. Obligation to always wear shoes. Do not divert the use of the vehicle. This product is for personal riding only and is not intended for acrobatic or stunt use.
- The product is recommended for riders above age of 16 and below age of 50. People who are not suitable for riding this product include: (1) Persons under the influence of alcohol or drugs. (2) Persons who are unable to engage in strenuous physical activity due to illness or medical conditions. (3) Persons with poor balance or impaired motor skills. (4) Persons whose weight exceeds the product limit. (5) Pregnant women. (6) Persons with visual or hearing impairments. Comply with local laws and regulations when riding this product. Do not ride where prohibited by local laws.
- Comply with local laws and regulations when riding this product. Do not ride where prohibited by local laws.
- In countries or regions where there are currently no national standards or regulations regarding electric scooters, you must strictly follow the safety instructions outlined in this manual when operating the product. Failure to do so may pose safety risks to children. SPACEWALKER PTE. LTD. shall not be held directly or jointly liable for any personal injury, property damage, accidents, legal disputes, or any other adverse consequences resulting from misuse or use in violation of the guidance provided in this manual.
- Do not ride in traffic lanes or residential areas where vehicles and pedestrians are both allowed. When passing through a place designated for pedestrians who are entitled to the right-of-way laws like crosswalk, please get off to walk along with the scooter.
- Required preparations for using this product include: ensuring the steering system is properly adjusted, that all connected accessories (such as the folding system) are properly tightened and undamaged, and that the brakes and wheels are in good condition.
- Perform a basic inspection of the electric scooter before each ride. If there are abnormal conditions such as loose parts, low battery alerts, flat tires or excessive wear of tires, strange sounds, malfunctions and other abnormal conditions, stop riding immediately and call for professional support.
- Take the time to learn the basics of the practice to avoid any serious accident that can take place in the first months. Information on practice and safe use (can be found on the website: www.naveetech.com)

- Ensure clear visibility and make sure others can see you while riding.
- Do not ride in bad weather, low visibility, or after intense physical exertion.
- Do turn on the headlight and slow down the speed when you ride at dark.
- Make sure that the kickstand is positioned on a flat surface and the kick scooter is stable enough to stand alone before leaving it.
- This electric scooter is a leisure device. However, when entering a public area, it will be considered a means of transportation and subject to possible safety risks for all means of transportation. Riding in strict accordance with the instructions in this manual will protect you and others to the greatest extent.
- The user should check the limits of use in accordance with the local regulations. Ride the scooter on the roads or areas permitted by local regulations and laws and park it in the areas permitted. If the local regulations and laws have different provisions on the maximum speed, the local regulations and laws will prevail. Please respect and follow the road safety and vehicle rules.
- Respect pedestrians' Right of Way. Try not to startle them while driving, especially children. When you ride from behind pedestrians, ring your bell to give them a heads-up and slow your scooter down to pass from their left, and keep to the right at a low speed while riding across them (applicable to countries where vehicles drive on the right). When you drive across pedestrians, keep the lowest speed or getting off the vehicle.
- In any case, anticipate your trajectory and your speed while respecting the code of the road, the code of the sidewalk and the most vulnerable. Notify your presence when approaching a pedestrian or cyclist when you are not seen or heard. Cross the protected passages while walking. Cross the protected passages while walking. Avoid high traffic areas or overcrowded areas.
- Riding with high speed or a speed that is not appropriate or adequate for the situation (bad weather conditions, bad surface conditions, or the like) may lead into a potential loss of stability or loss of control. To reduce any risk, you must follow all instructions in this manual. Be careful when mounting and dismantling the product, it may fall and cause injury.
- Traffic in the city has many obstacles to cross such as curbs or steps. It is recommended to avoid obstacle jumps. It is important to anticipate and adapt your trajectory and speed to those of a pedestrian before crossing these obstacles. It is also recommended to get out of the vehicle when these obstacles become dangerous due to their shape, height or slippage.
- Do not lend your scooter to whoever does not know the operations. Before lending the electric scooter to others, please make sure that the rider has read this instruction manual and watched the instruction video, and understood the basic operation. Remind riders to wear safety protection correctly to ensure the safety of riders.
- Contact your seller for appropriate training organizations.
- In all cases, take care of yourself and others.
- Any load attached to the handlebar will affect the stability of the vehicle.
- Do not touch the brake system, it could cause injuries due to sharp edges. The brake may become hot in use. Do not touch after use.
- The A-weighted emission sound pressure level is less than 70 dB(A).
- The mechanical vibrations transmitted by KickScooter are less than 2.5 m/s².
- For a better riding experience, it is recommended to carry out a regular maintenance of the product.
- Eliminate any sharp edges caused by use.

- Accessories and any additional items which are not approved by the manufacturer shall not be used.
- Regular maintenance of the vehicle is a factor of safety.
- The self-tightening nuts as well as the other self-tightening fastenings may lose their efficiency and that they may need to be retightened.
- Regularly check the tightening of the various bolted elements, in particular the wheel axles, the folding system, the steering system and the brake shaft.
- Do not modify or transform the vehicle, including the steering tube and sleeve, stem, folding mechanism and rear brake.
- Do not make any modifications that are not noted in the instructions.
- Make sure the scooter is turned off when being transported and kept in its original packaging if possible.
- In order to avoid accidental injuries such as electric shock and fire caused by improper use, please read the instructions carefully before use, and keep them properly for future reference.
- Please use this product in accordance with the instructions in the User Manual. Users are responsible for any loss or damage arising from improper use of this product.
- Power-off the vehicle during charging, or into a certain nonoperational mode.
- Do not charge if the charge port or charge cable is wet. Read this manual carefully before charging.
- Do not charge the scooter at an ambient temperature above 40° C or below 0° C.
- Please keep a safe distance when the scooter is driving on a level/no slope road. The braking distance will increase in wet weather.
- The shock absorption of this product is not adjustable (if applicable).
- The appliance is not intended for use at elevations greater than 2000 m above sea level.
- The appliance shall be disconnected from its power source during service and when replacing parts.
- The external flexible cable or cord of this transformer (charger) cannot be replaced; if the cord is damaged, the transformer (charger) shall be scrapped.
- If the external flexible cable or cord of this transformer is damaged, it shall be replaced by the manufacturer or their service agent or a similarly qualified person in order to avoid a hazard.
- If the supply cord is damaged, it must be replaced by the manufacturer, its service agent or similarly qualified persons in order to avoid a hazard.
- This product contains batteries that can only be replaced by qualified technicians or after-sales service.
- This appliance contains batteries that are only replaceable by skilled persons.
- **WARNING:** For the purposes of recharging the battery, only use the detachable supply unit provided with this appliance. Do not use a battery charger from any other product. Keep a safe distance from the surrounding combustibles when charging, the vehicle must be placed in a well-ventilated area.
- **WARNING:** WARNING: Do not use any third-party battery or battery charger. Use only with FY1505462450 supply unit.
- **WARNING!** Keep plastic covering away from children to avoid suffocation.

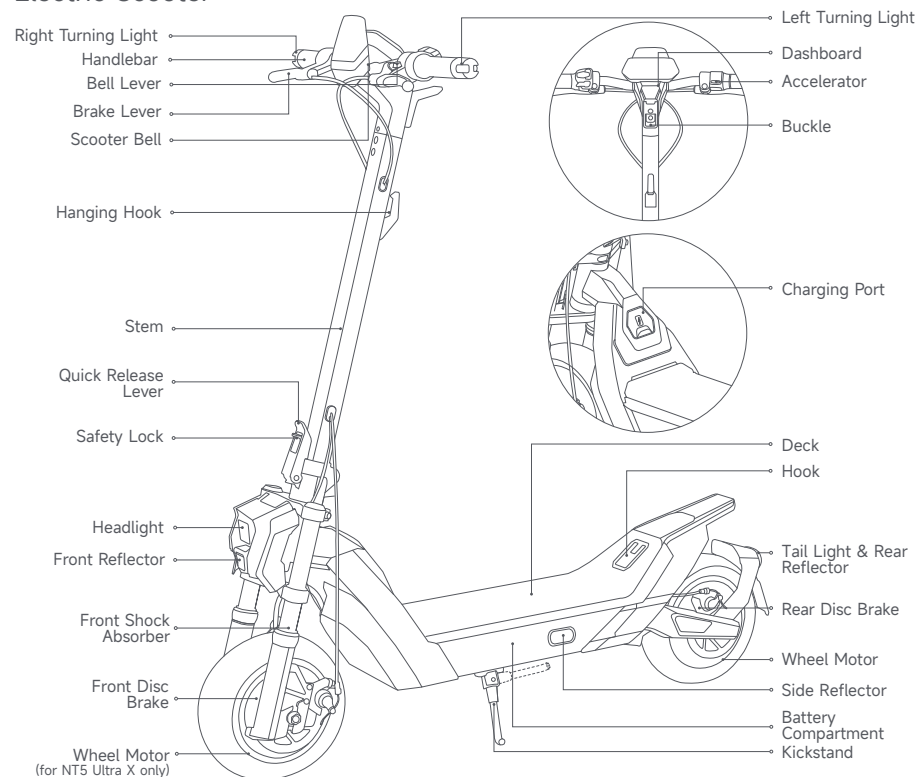
- **WARNING!** Never use the product close to a water source.
- **WARNING!** Stop using the product when damaged.
- **WARNING !** As with any mechanical component, a vehicle is subject to high stresses and wear. The various materials and components may react differently to wear or fatigue. If the expected service life for a component has been exceeded, it may break suddenly, therefore risking causing injuries to the user. Cracks, scratches and discoloration in the areas subject to high stresses indicate that the component has exceeded its service life and please contact an authorized or a specialized repairer.

Watch out for hand crush and pinch points hazards in the following positions during use:

1. Between the handlebar and the stem when installing the handlebar.
2. Openings on the wheels.
3. Between the front mudguard and the deck.
4. Between the quick release lever and the safety lock, and between the folding joint and the stem when folding or unfolding.
5. Between the mudguards and the wheels.

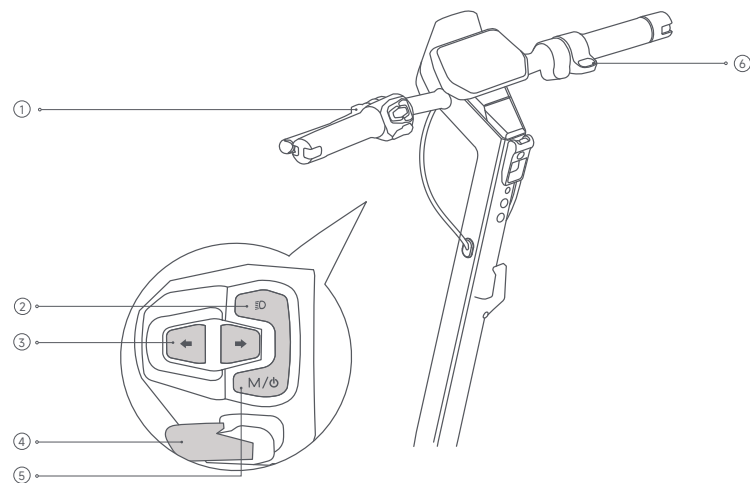
2. Product Overview

Electric Scooter

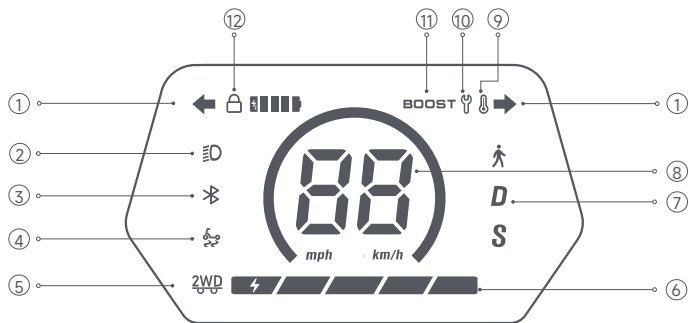


The illustrations in this manual are for reference only, the actual appearance shall be subject to actual product.

Handlebar Button Functions



- ① Bell Lever: Press to sound the bell.
- ② Light Button: While the scooter is on, press to turn the headlight and taillight on or off.
- ③ Turning Light Buttons: Press the button to light up left/right signal, then corresponding signal and indicator on the dashboard will start blinking, and press the button again to turn it off.
- ④ BOOST Button: Press to activate the BOOST function (effective in S mode only), and press again to exit.
Note: It is recommended only after the rider has mastered basic control.
- ⑤ Power Button/Mode Switching: Press to turn on. Press and hold for 2 seconds to turn off. While powered on, double press to switch the riding modes.
- ⑥ Accelerator: Press to accelerate (works when the start speed exceeds 3 km/h).
Note: The start speed can be adjusted via the NAVEE App.



- ① Left/Right Turning Indicator: When the icon blinks, it indicates that the turning indicator on the left/right side is turned on.
- ② Headlight: Indicates that the headlight is turned on.
- ③ Bluetooth: The Bluetooth icon remains lit when the scooter is successfully connected to your mobile device.
- ④ TCS (Traction Control System): When enabled, the TCS function helps prevent excessive tire slippage and improves overall stability during actions like starting, accelerating, or turning. TCS can be switched on or off via the NAVEE App.
- ⑤ 2-Wheel Drive (NT5 Ultra X only): Indicates that the 2-wheel drive mode is active. Press and hold the BOOST button for 3 seconds to turn it on or off, or control it via the NAVEE App.
- ⑥ Battery Level: The battery level is displayed using 5 bars. Each bar represents approximately 20% of a full charge.
- ⑦ Riding Modes: **A** indicates Walking Mode—maximum speed:6 km/h. **D** indicates Standard Mode. **S** indicates Sport Mode.
- ⑧ Speedometer: Displays current riding speed. Shows error codes when a fault is detected, and battery level while charging.
- ⑨ Temperature Warning: The thermometer icon lights up when the battery temperature is too high or too low. Wait until the temperature returns to a normal range before using or charging the scooter.
- ⑩ Error Indicator: A solid red wrench icon indicates a fault in the system.
- ⑪ BOOST Mode: It indicates that the boost function is activated.
- ⑫ Lock: This icon lights up when the scooter is locked. You can lock or unlock the scooter via the NAVEE App.

3. Maintenance and Care

Cleaning

Before cleaning your scooter:

Turn off the power. Unplug the charging cable. Make sure the charging port cover is fully closed.

To clean:

Wipe the scooter with a soft, damp cloth. For stubborn dirt, use a soft brush (e.g., a toothbrush). Finish by drying all surfaces with a clean, dry cloth.

Avoid the following:

- Using high-pressure water (this may damage internal components).
- Using corrosive cleaners (they can harm both external and internal parts).

Battery Care

To maximize battery life:

Avoid fully draining the battery. Charge it regularly.

Always keep usage, charging, and storage temperatures within the limits stated in the specifications.

If unused for a long period, charge every 60 days to prevent permanent battery damage. A fully charged scooter can remain in standby for about 120–180 days.

Battery Warnings:

- Only use the original charger and battery provided with your scooter.
- Never use a battery or charger from another model or brand.
- Do not charge or use the scooter if the battery is damaged or has been exposed to water.
- Do not attempt to remove the battery yourself — it requires professional servicing.

Storage

If storing the scooter long-term:

Fully charge the battery. Power off the scooter. Store in a cool, dry place away from sunlight and humidity.

Use the original packaging for transport if available.

Storage Reminders:

- Keep the scooter away from flammable materials.
- Avoid storing in direct sunlight or very damp environments.
- This product contains a lithium battery. Follow local laws for transportation and storage.

Environmental Notice

1. The scooter contains a rechargeable lithium-ion battery pack, and improper disposal of these batteries will cause harm to the environment. Follow the steps below to remove the batteries before disposing of the scooter and discard the batteries properly:
2. Before removing the battery, make sure the scooter is powered off and the battery is fully discharged. Unscrew the screws securing the plastic components, kickstand, battery compartment cover, and controller cover, then carefully remove each component.
3. Unplug the battery connector, and then remove the batteries. Do not damage the battery case to avoid any risk of injuries. Do not use the battery if it is damaged, has a strange odor, emits smoke, or gets overheated. Keep a leaking battery away from other objects.
4. Recycle the removed battery at a certified battery recycling facility.

Scooter Maintenance Schedule (Recommended):

Maintaining the scooter regularly can help keep the scooter neat and in good condition, avoid safety hazards, minimize breakdowns, slow down the deterioration of the scooter, and extend the scooter's service life.

Item	Service Object	Actions	Every month	Every 3 months	Every 500 km/ 6 months	Every1000 km/ 1 year	Every 10000 km/ 3 years
Tires	Tire Tread Wear	Check whether the tire is cracked, deformed, worn, etc.			✓	✓	✓
Screws	Handlebar Assembly Screws	Tighten the screw that connects the handlebar assembly with the stem assembly (with the recommended torque of $4.5 \pm 0.5 \text{ N}\cdot\text{m}$).		✓	✓	✓	✓
		Tighten the accelerator screw (with the recommended torque of $2.5 \pm 0.1 \text{ N}\cdot\text{m}$).				✓	✓
		Tighten the brake lever screw (with the recommended torque of $5.5 \pm 0.2 \text{ N}\cdot\text{m}$).				✓	✓
	Disc Brake Caliper	Tighten the screw that fixes the disc brake caliper (with the recommended torque of $7.0 \pm 0.5 \text{ N}\cdot\text{m}$).			✓	✓	✓

Item	Service Object	Actions	Every month	Every 3 months	Every 500 km/ 6 months	Every1000 km/ 1 year	Every 10000 km/ 3 years
Functions	Brake Adjustment	Before adjusting, get yourself a 4 mm wrench (prepared by the user) and make sure the scooter is turned off and not being charged. During adjusting, pull the end of the brake cable to make the cable tight. If the brake is too tight, use the tool to loosen the screw by turning it counterclockwise, pull the disc brake rocker arm outwards, and then tighten the screw. If the brake is too loose, use the tool to loosen the screw by turning it counterclockwise, push the disc brake rocker arm forwards, and then tighten the screw.			✓	✓	✓
	Charging	Charge the scooter at a suitable temperature. The indicator on the battery charger is red when the scooter is charging, and turns green when the scooter is fully charged. The control panel will show the charging status simultaneously during charging.			✓	✓	✓
	Steering	Turn the handlebar 60° to the left and right to make sure the turning angle is correct and the steering is free from resistance and stagnation.				✓	✓
Important Components	Battery Assembly	Fully charge the scooter before leaving it unused for a long time, and turn it on to charge every 60 days.					✓

4. Specifications

Product	Name	NAVEE Electric Scooter				
	Model	NT5 Max EU	NT5 Max DE	NT5 Max IT	NT5 Max SE	NT5 Max AT
Dimensions	Unfold: L × W × H (mm) ^[1]	1250 × 625 × 1355				
	Folded: L × W × H (mm)	1250 × 625 × 645				
Net Weight	Vehicle Net Weight (kg)	33.5				
Rider	Load Range (kg)	25-150				
	Age	16-50				
	Body Length (cm)	120-200				
Assembled Electric Scooter	Max. Speed (km/h)	25	20	25	20	25
	Max. Range (km) ^[2]	85				
	Full-speed Range (km) ^[3]	53	75	53	75	53
	Max. Incline (%)	28				
	Suitable Surfaces	Cement or asphalt road, with benches of less than 1 cm or crevices narrower than 3 cm				
	Operating Temperature (°C)	-10 to 40				
	Storage Temperature (°C)	-20 to 45				
	IP Rating	IPX6				
	Charging Time (h)	Approx. 5-6				
	Battery Pack	Model	T2545-BD1A			
Nominal Voltage (VDC)		46.8				
Max. Charge Voltage (VDC)		54.6				
Rated Energy (Wh)		561.6				
Intelligent Battery Management System		Over-heating, short circuit, over-current, over-discharge, and over-charge protection				
Normal Charging Temperature Range (°C)		0 to 40				
Rated Capacity (Ah)		12				
Wheel Motor	Rated Power (kW; W)	0.7; 700	0.5; 500	0.5; 500	0.25; 250	0.6; 600
Battery Charger	Model ^[4]	FY1505462450				
	Output Power (kW; W)	0.133; 133.77				
	Input	100-240 V~ 50/60 Hz				
	Rated Output (VDC; A)	54.6; 2.45				
Tire	Front & Back Tires	10.5-Inch All-Terrain Grip Tires				
Bluetooth	Frequency Band (s)	2.4000-2.4835 GHz				
	Max. RF Power (dBm)	8 (dBm)				

[1] Vehicle height: From the ground to the top of the scooter.

[2] Max. Range: Measured when there is no wind and at 25 ° C, the scooter is fully charged to ride at a constant speed of 15 km/h on a flat surface with a load of 75 kg.

[3] Full-speed Range: Measured in no-wind conditions at 25 ° C, with a fully charged scooter riding at maximum speed on a flat surface with a 75 kg load.

[4] To recharge the battery, only use the battery charger provided in the package.

Product	Name	NAVEE Electric Scooter				
	Model	NT5 Ultra X EU	NT5 Ultra X DE	NT5 Ultra X IT	NT5 Ultra X SE	NT5 Ultra X AT
Dimensions	Unfold: L × W × H (mm) ^[1]	1250 × 625 × 1355				
	Folded: L × W × H (mm)	1250 × 625 × 645				
Net Weight	Vehicle Net Weight (kg)	36.5				
Rider	Load Range (kg)	25-150				
	Age	16-50				
	Body Length (cm)	120-200				
Assembled Electric Scooter	Max. Speed (km/h)	25	20	20	20	25
	Max. Range (km) ^[2]	90				
	Full-speed Range (km) ^[3]	66	78	78	78	66
	Max. Incline (%)	45				
	Suitable Surfaces	Cement or asphalt road, with benches of less than 1 cm or crevices narrower than 3 cm				
	Operating Temperature (°C)	-10 to 40				
	Storage Temperature (°C)	-20 to 45				
	IP Rating	IPX6				
	Charging Time (h)	Approx. 7-8				
	Battery Pack	Model	T2443-BD6A			
Nominal Voltage (VDC)		46.8				
Max. Charge Voltage (VDC)		54.6				
Rated Energy (Wh)		898.56				
Intelligent Battery Management System		Over-heating, short circuit, over-current, over-discharge, and over-charge protection				
Normal Charging Temperature Range (°C)		0 to 40				
Rated Capacity (Ah)		19.2				
Wheel Motor	Rated Power (kW; W)	0.5×2; 500×2	0.25×2; 250×2	0.25×2; 250×2	0.125×2; 125×2	0.3×2; 300×2
	Model ^[4]	FY1505462450				
Battery Charger	Output Power (kW; W)	0.133; 133.77				
	Input	100-240 V~ 50/60 Hz				
	Rated Output (VDC; A)	54.6; 2.45				
Tire	Front & Back Tires	10.5-Inch All-Terrain Grip Tires				
Bluetooth	Frequency Band (s)	2.4000-2.4835 GHz				
	Max. RF Power (dBm)	8 (dBm)				

[1] Vehicle height: From the ground to the top of the scooter.

[2] Max. Range: Measured when there is no wind and at 25 ° C, the scooter is fully charged to ride at a constant speed of 15 km/h on a flat surface with a load of 75 kg.

[3] Full-speed Range: Measured in no-wind conditions at 25 ° C, with a fully charged scooter riding at maximum speed on a flat surface with a 75 kg load.

[4] To recharge the battery, only use the battery charger provided in the package.

5. Certification

Restriction of Hazardous Substances Directive (RoHS)

This SPACEWALKER PTE. LTD. product, with included parts (cables, cords, and so on) meets the restriction of the use of certain hazardous substances in electrical and electronic equipment 2011/65/EU Annex II and its amendment Directive (EU) 2015/863.

EU Declaration of Conformity



This device meets the EU requirements on the limitation of exposure of the general public to electromagnetic fields by way of health protection. Hereby, SPACEWALKER PTE. LTD. declares that the radio equipment type: [NT5 Max EU], [NT5 Max DE], [NT5 Max IT], [NT5 Max SE], [NT5 Max AT], [NT5 Ultra X EU], [NT5 Ultra X DE], [NT5 Ultra X IT], [NT5 Ultra X SE] and [NT5 Ultra X AT] are in compliance with Directive 2014/53/EU and 2006/42/EC. The full text of the EU declaration of conformity is available at the following internet address: www.naveetech.com

European Union Compliance Statement

Battery recycling information for the European Union



Batteries or packaging for batteries are labeled in accordance with Regulation (EU) 2023/1542 concerning batteries and accumulators and waste batteries and accumulators. The Directive determines the framework for the return and recycling of used batteries and accumulators as applicable throughout the European Union. This label is applied to various batteries to indicate that the battery is not to be thrown away, but rather reclaimed upon end of life per this Directive.

In accordance with the Regulation (EU) 2023/1542, batteries and accumulators are labeled to indicate that they are to be collected separately and recycled at end of life.

The label on the battery may also include a chemical symbol for the metal concerned in the battery (Pb for lead, Hg for mercury, and Cd for cadmium). Users of batteries and accumulators must not dispose of batteries and accumulators as unsorted municipal waste, but use the collection framework available to customers for the return, recycling, and treatment of batteries and accumulators. Customer participation is important to minimize any potential effects of batteries and accumulators on the environment and human health due to the potential presence of hazardous substances.

Before placing electrical and electronic equipment (EEE) in the waste collection stream or in waste collection facilities, the end user of equipment containing batteries and/or accumulators must remove those batteries and accumulators for separate collection.

Waste Electrical and Electronic Equipment (WEEE) Directive



All products bearing this symbol are waste electrical and electronic equipment (WEEE as in directive 2012/19/EU) which should not be mixed with unsorted household waste. Instead, you should protect human health and the environment by handing over your waste equipment to a designated collection point for the recycling of waste electrical and electronic equipment, appointed by the government or local authorities. Correct disposal and recycling will help prevent potential negative consequences to the environment and human health. Please contact the installer or local authorities for more information about the location as well as terms and conditions of such collection points.

6. Safety Warning



Danger!
Read user manual before use.



WARNING
Read carefully and keep for future reference.



WARNING
Hot Surface



Do not expose to moisture



Light



SMPS incorporating a short-circuit-proof safety isolating transformer (inherently or non-inherently)



SMPS (Switch mode power supply unit)



Time-lag miniature fuse-link where X is the symbol for the time/current characteristic as given in IEC 60127



Audible warning to alert people



WARNING
For indoor use only (for the charger).



WARNING
Class II appliance



WARNING
Sharp Edges



≤ 5000m

The charger intended for use at altitudes not exceeding 5000m.



Turning indicator



Direct current



Alternating current



Polarity of the charger output, center positive

7. Battery Pack

WARNING

1. Do not dismantle, open or shred secondary cells or batteries.
2. Keep batteries out of the reach of children. Battery usage by children should be supervised. Especially keep small batteries out of reach of small children.
3. Seek medical advice immediately if a cell or a battery has been swallowed.
4. Do not expose cells or batteries to heat or fire. Avoid storage in direct sunlight.
5. Do not short-circuit a cell or a battery. Do not store cells or batteries haphazardly in a box or drawer where they may short-circuit each other or be short-circuited by other metal objects.
6. Do not remove a cell or battery from its original packaging until required for use.
7. Do not subject cells or batteries to mechanical shock.
8. In the event of a cell leaking, do not allow the liquid to come in contact with the skin or eyes. If contact has been made, wash the affected area with copious amounts of water and seek medical advice.
9. Do not use any charger other than that specifically provided for use with the equipment.
10. Observe the plus (+) and minus (-) marks on the cell, battery and equipment and ensure correct use.
11. Do not use any cell or battery which is not designed for use with the equipment.
12. Do not mix cells of different manufacture, capacity, size or type within a device.
13. Always purchase the battery recommended by the device manufacturer for the equipment.
14. Keep cells and batteries clean and dry.
15. Wipe the cell or battery terminals with a clean dry cloth if they become dirty.
16. Secondary cells and batteries need to be charged before use. Always use the correct charger and refer to the manufacturer's instructions or equipment manual for proper charging instructions.
17. Do not leave a battery on prolonged charge when not in use.
18. After extended periods of storage, it may be necessary to charge and discharge the cells or batteries several times to obtain maximum performance.
19. Retain the original product literature for future reference.
20. Use the cell or battery only in the application for which it was intended.
21. When possible, remove the battery from the equipment when not in use and dispose of it properly.

8. Battery Charger

WARNING

1. The charger is designed for indoor use only. Do not expose it to rain or snow.
2. Do not use for non-rechargeable batteries, as they can overheat and break.
3. Misuse other types of batteries may burst causing personal injury and damage.
4. Do not incinerate, disassemble or short circuit batteries.
5. If the performance of the batteries decrease substantially, it is time to replace the batteries.
6. Store the charger in a cool and dry place when not in use.
7. Disconnect the supply before making or breaking the connections to the battery.
8. Explosive gases. Prevent flames and sparks. Provide adequate ventilation during charging.
9. During charging, the battery must be placed in a Well Ventilated area.
10. Keep electrical appliances out of reach from Children or infirm persons. Do not let them use the appliances without supervision.
11. This appliance is not intended for use by persons (including children) with reduced physical, sensory or mental capabilities, or lack of experience and knowledge, unless they have been given supervision or instruction concerning use of the appliance by a person responsible for their safety.
12. This appliance can be used by children aged from 8 years and above and persons with reduced physical, sensory or mental capabilities or lack of experience and knowledge if they have been given supervision or instruction concerning use of the appliance in a safe way and understand the hazards involved. Children shall not play with the appliance. Cleaning and user maintenance shall not be made by children without supervision.
13. The external flexible cable or cord of this transformer cannot be replaced; if the cord is damaged, the transformer shall be scrapped.
14. If the supply cord is damaged, it must be replaced by a special cord or assembly available from the manufacturer or its service agent.

Charging instructions

1. Connect the charger directly to a power source. Never use extension cords.
2. The charger can only charge Lithium-ion battery.
3. Avoid reverse charging.
4. The chargers are not intended to charge automobile batteries.



detachable power supply part

9. Warranty Summary

This product includes a limited warranty that covers manufacturing defects for a specified period from the date of purchase. Warranty terms, duration, and service availability may vary by country or region. The warranty does not cover damage caused by misuse, accidents, or unauthorized repairs. For detailed terms and local support, please visit <https://service.naveetech.com>.

1. Consignes de sécurité

Traduction de la notice originale

IMPORTANT ! Lisez attentivement ces consignes avant d'utiliser le produit et conservez-les pour vous y référer ultérieurement.

Rendez-vous sur www.naveetech.com pour consulter l'e-manuel détaillé.

- Ce produit n'est pas destiné à être utilisé par des personnes (y compris des enfants) aux capacités physiques, sensorielles ou mentales réduites ou manquant d'expérience et de connaissance, sauf s'ils sont sous la surveillance d'une personne responsable de leur sécurité ou s'ils ont reçu des instructions sur la manière d'utiliser le produit. Les enfants doivent être surveillés pour s'assurer qu'ils ne jouent pas avec le produit.
- Cet appareil peut être utilisé par des enfants âgés d'au moins 8 ans et par des personnes ayant des capacités physiques, sensorielles ou mentales réduites ou dénuées d'expérience ou de connaissance, s'ils (si elles) sont correctement surveillé(e)s ou si des instructions relatives à l'utilisation de l'appareil en toute sécurité leur ont été données et si les risques encourus ont été appréhendés. Les enfants ne doivent pas jouer avec l'appareil. Le nettoyage et l'entretien par l'utilisateur ne doivent pas être effectués par des enfants sans surveillance.
- Le produit doit être utilisé uniquement avec le bloc d'alimentation fourni.
- Avant de rouler, veuillez porter un casque, des protections pour les mains et les poignets, des genouillères, des coudières et d'autres équipements de protection à tout moment.
- La trottinette doit être utilisée par une seule personne à la fois. Obligation de toujours porter des chaussures. Ne détournez pas l'usage du véhicule. Ce produit est destiné uniquement à l'usage personnel et n'est pas conçu pour une utilisation acrobatique ou cascadeuse. Respectez les lois et réglementations locales quand vous roulez. Ne roulez pas dans les endroits interdits par les lois locales.
- Ce produit est recommandé pour les personnes âgées de plus de 16 ans et de moins de 50 ans. Les personnes suivantes ne doivent pas utiliser ce produit : (1) Personnes sous l'influence de l'alcool ou de drogues. (2) Personnes dans l'incapacité de pratiquer une activité physique intense en raison d'une maladie ou d'un problème médical. (3) Personnes ayant des troubles de l'équilibre ou des capacités motrices réduites. (4) Personnes dont le poids dépasse la limite autorisée. (5) Femmes enceintes. (6) Personnes souffrant de déficiences visuelles ou auditives. Ne roulez pas sur les voies de circulation ou les zones résidentielles où les véhicules et les piétons sont tous deux autorisés. Quand vous passez par un endroit destiné aux piétons et où ils ont la priorité, comme un passage piéton, descendez pour marcher avec la trottinette à la main.
- Respectez les lois et réglementations locales quand vous roulez. Ne roulez pas dans les endroits interdits par les lois locales.
- Dans les pays ou régions où aucune norme ou réglementation nationale relative aux trottinettes électriques n'est actuellement en vigueur, vous devez impérativement suivre les consignes de sécurité décrites dans ce manuel lors de l'utilisation du produit. Tout manquement à ces instructions pourrait entraîner des risques pour la sécurité des enfants. SPACEWALKER PTE. LTD. décline toute responsabilité, directe ou conjointe, en cas de blessure corporelle, de dommage matériel, d'accident, de litige juridique ou de toute autre conséquence négative résultant d'un usage incorrect ou contraire aux recommandations de ce manuel.
- Ne roulez pas sur les voies de circulation ou les zones résidentielles où les véhicules et les piétons sont tous deux autorisés. Quand vous passez par un endroit destiné aux piétons et où ils ont la priorité, comme un passage piéton, descendez pour marcher avec la trottinette à la main.
- Les préparatifs nécessaires à l'utilisation de ce produit consistent à s'assurer que le système de direction soit correctement réglé, que tous les accessoires connectés (tels que le système de pliage) soient correctement serrés

et ne soient pas endommagés, et que les freins et les roues soient en bon état.

- Effectuez une inspection de base de la trottinette électrique avant chaque sortie. En cas de situation anormale, comme des pièces desserrées, une alerte de batterie faible, des pneus dégonflés ou une usure excessive des pneus, des sons étranges, des dysfonctionnements et autres situations anormales, arrêtez immédiatement de rouler et faites appel à un professionnel.
- Prenez le temps d'apprendre les bases de la pratique pour éviter tout accident grave pouvant survenir dans les premiers mois. Informations sur la pratique et l'utilisation en toute sécurité (disponibles sur le site Internet : www.naveetech.com)
- Assurez-vous de bien voir et d'être bien visible par les autres pendant la conduite.
- Ne conduisez pas par mauvais temps, quand la visibilité est mauvaise ou après une activité physique intense.
- Veuillez allumer les phares et ralentir lorsque vous conduisez dans des conditions de faible luminosité.
- Assurez-vous que la béquille soit positionnée sur une surface plane et que la trottinette est suffisamment stable avant de la quitter.
- La trottinette électrique est un équipement de loisir. Toutefois, quand vous pénétrez dans un lieu public, il sera considéré comme un moyen de transport et vous soumettra aux mêmes risques de sécurité éventuels que tous les autres modes de transport. Le strict respect des instructions contenues dans ce manuel vous protégera, vous et les autres.
- L'utilisateur doit se renseigner sur les limites d'utilisation de la trottinette selon la réglementation locale. Conduisez la trottinette sur les routes et dans les zones autorisées par les lois et les réglementations locales et garez-la dans les zones autorisées. Si les lois et les réglementations locales ont des dispositions différentes concernant la vitesse maximale autorisée, les lois et les réglementations prévalent. Veuillez respecter les règles du code de la route.
- Respectez les passages réservés aux piétons. Essayez de ne pas les surprendre quand vous roulez, particulièrement les enfants. Quand vous roulez derrière des piétons, actionnez la sonnette pour les prévenir et ralentissez pour les dépasser sur leur gauche, et maintenez votre droite en roulant lentement quand vous passez au milieu des piétons (dans les pays où les véhicules roulent à droite). Quand vous roulez au milieu des piétons, roulez le plus lentement possible ou descendez de la trottinette.
- Dans tous les cas, anticipez votre trajectoire et votre vitesse en respectant le code de la route et les réglementations sur les trottoirs et en respectant les plus vulnérables. Avertissez de votre présence quand vous approchez d'un piéton ou d'un cycliste quand vous n'êtes pas visible ou audible. Traversez aux passages piétons quand vous marchez. Traversez aux passages piétons quand vous marchez. Évitez les zones à circulation dense ou les zones bondées.
- Le fait de rouler à grande vitesse ou à une vitesse non adaptée à la situation (mauvais temps, terrain en mauvais état ou autres conditions similaires) peut conduire à une perte de stabilité ou à une perte de contrôle. Pour éviter tout risque, vous devez respecter toutes les instructions contenues dans ce manuel. Soyez prudent quand vous montez ou démontez ce produit, car il peut tomber et causer des blessures.
- La circulation en ville présente de nombreux obstacles tels que des bordures et des marches. Il est recommandé d'éviter de sauter les obstacles. Il est important d'anticiper et d'adapter votre trajectoire et votre vitesse à ceux des piétons avant de passer ces obstacles. Il est également recommandé de descendre de la trottinette quand ces obstacles deviennent dangereux en raison de leur forme, leur hauteur ou leur manque d'adhérence.
- Ne prêtez pas votre trottinette à une personne qui ne connaît pas son fonctionnement. Avant de prêter la trottinette électrique, assurez-vous que la personne à qui ce manuel et à qui vous avez regardé la vidéo de présentation et qu'elle a compris le fonctionnement de l'engin. Il est rappelé aux conducteurs de porter correctement les équipements

de protection pour assurer leur sécurité.

- Contactez votre vendeur pour connaître des organismes de formation compétents.
- Dans tous les cas, soyez attentifs à vous-même et aux autres.
- Toute charge attachée au guidon affectera la stabilité du véhicule.
- Ne touchez pas le système de freinage pour éviter des blessures dues aux bords coupants. Le frein peut chauffer pendant l'utilisation. Ne pas le toucher après l'avoir utilisé.
- Le niveau sonore avec la pondération A est inférieur à 70 dB(A).
- Les vibrations mécaniques transmises par le scooter sont inférieures à 2,5 m/s².
- Pour une meilleure expérience de conduite, il est recommandé d'effectuer une maintenance régulière du produit.
- Supprimez tout bord tranchant causé par l'usure.
- Les accessoires et les autres éléments qui ne sont pas approuvés par le fabricant ne doivent pas être utilisés.
- La maintenance régulière du véhicule est un facteur de sécurité.
- Les écrous auto-serrants ainsi que les autres fixations auto-serrantes peuvent perdre de leur efficacité et il peut être nécessaire de les resserrer.
- Contrôlez régulièrement le serrage des divers éléments vissés, en particulier les axes des roues, le système pliant, le système de direction et l'arbre de frein.
- Ne modifiez pas et ne transformez pas le véhicule, que ce soit la colonne et les manchons de direction, la potence, le mécanisme de pliage ou le frein arrière.
- N'apportez aucune modification qui ne soit pas mentionnée dans les instructions.
- Assurez-vous d'éteindre la trottinette pour le transport et de la conserver dans son emballage d'origine si possible.
- Pour éviter des blessures accidentelles telles que des chocs électriques et des incendies en raison d'une mauvaise utilisation, veuillez lire les instructions attentivement avant d'utiliser la trottinette et conservez-les soigneusement pour vous y référer ultérieurement.
- Veuillez utiliser le produit conformément aux instructions contenues dans le manuel de l'utilisateur. Les utilisateurs sont responsables de toute perte ou dommage résultant d'une mauvaise utilisation de ce produit.
- Éteignez le véhicule ou mettez-le en mode non opérationnel pendant la charge.
- Ne chargez pas la trottinette si le port de charge ou le câble de charge est mouillé. Lisez ce manuel attentivement avant de charger.
- Ne chargez pas la trottinette par une température ambiante supérieure à 40 °C ou inférieure à 0 °C.
- Veuillez garder une distance de sécurité lorsque le scooter roule sur une route plate ou sans pente. La distance de freinage augmentera par temps humide.
- L'absorption des chocs de ce produit n'est pas ajustable (le cas échéant).
- L'appareil n'est pas destiné à être utilisé à des altitudes supérieures à 2000 m au-dessus du niveau de la mer.
- L'appareil doit être déconnecté de sa source d'alimentation pendant l'entretien et le remplacement des pièces.
- Le câble souple externe de ce transformateur ne peut pas être remplacé, en cas d'endommagement du cordon, il convient de mettre le transformateur au rebut.
- Si le câble ou le cordon flexible externe de ce transformateur est endommagé, il doit être remplacé par le fabricant, son agent de service ou une personne de qualification similaire afin d'éviter tout danger.

- Si le cordon d'alimentation est endommagé, il doit être remplacé par le fabricant, son agent de service ou une personne de qualification similaire afin d'éviter tout danger.
- Ce produit contient des batteries qui ne peuvent être remplacé que par des personnels qualifiés ou le service après-vente.
- Cet appareil contient des batteries qui ne peuvent être remplacées que par des personnes qualifiées.
- **ATTENTION** : ATTENTION : N'utilisez pas la batterie ou l'adaptateur secteur de quelqu'un d'autre. À utiliser uniquement avec le bloc d'alimentation FY1505462450.
- **ATTENTION** ! Gardez l'emballage plastique à distance des enfants pour éviter un risque de suffocation.
- **AVERTISSEMENT** ! N'utilisez jamais ce produit à proximité d'une source d'eau.
- **AVERTISSEMENT** ! Arrêtez d'utiliser le produit lorsqu'il est endommagé.
- **ATTENTION** ! Comme avec tout composant mécanique, un véhicule est soumis à de fortes contraintes et à une forte usure. Les divers matériaux et composants peuvent réagir différemment à l'usure ou sous un usage intensif. Si la durée de vie prévue pour un composant est dépassée, il peut se briser soudainement et causer éventuellement des blessures à l'utilisation. Les craquelures, les éraflures et la décoloration des zones soumises à de fortes contraintes indiquent que le composant a dépassé sa durée de vie. Contactez un réparateur autorisé ou spécialisé.

- Puissance nominale continue maximale du moteur électrique: 700 W (NT5 Max), 500 W × 2 (NT5 Ultra X EU).
- Taille maximum et minimum de l'utilisateur: 120-200 cm. Poids maximum de l'utilisateur: 150 kg

Faites attention aux risques que posent les points d'écrasement et de pincement de doigt dans les positions suivantes pendant l'utilisation :

1. Entre le guidon et la potence lors de l'installation du guidon.
2. Ouvertures sur les roues.
3. Entre le garde-boue avant et le pont.
4. Entre le levier de libération rapide et le verrou du levier de libération rapide, et entre le joint de pliage et la potence lors du pliage ou du dépliage.
5. Entre les garde-boue et les roues.



FR

Cet appareil, ses accessoires, piles et cordons se recyclent

REPRISE À LA LIVRAISON



À DÉPOSER EN MAGASIN



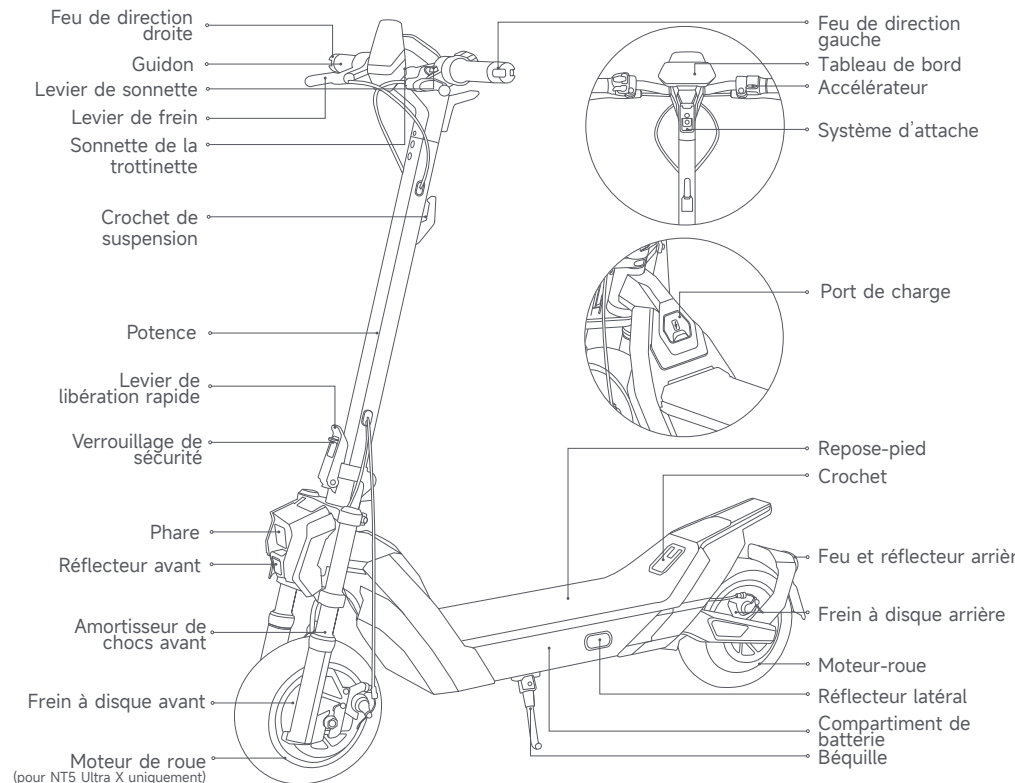
À DÉPOSER EN DÉCHÈTERIE



Points de collecte sur www.quefairedemesdechets.fr
Privilégiez la réparation ou le don de votre appareil !

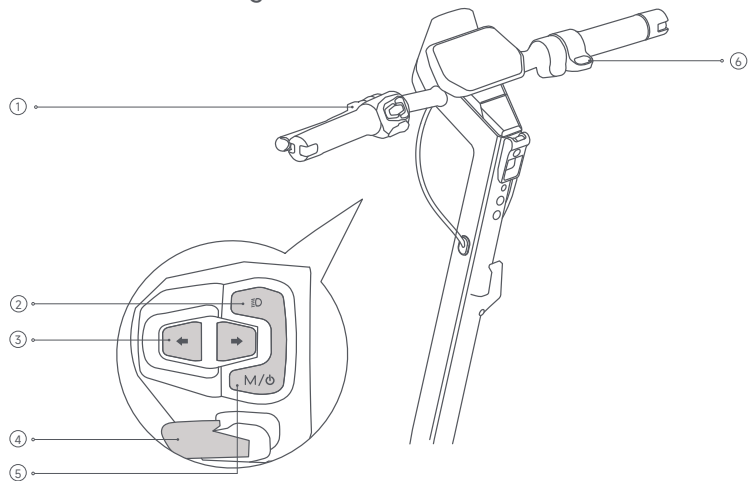
2. Aperçu du produit

Trottinette électrique



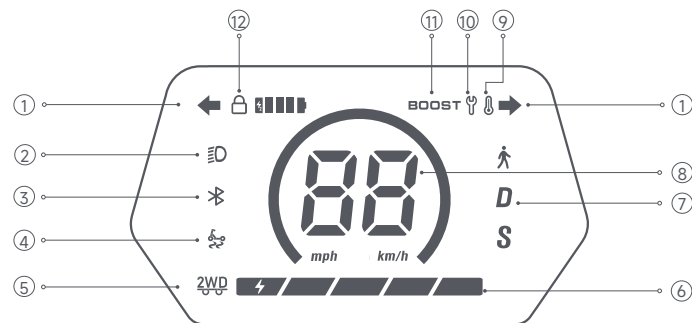
* Les images présentées sont à des fins d'illustration uniquement. Le produit réel peut varier.

Fonctions des boutons du guidon



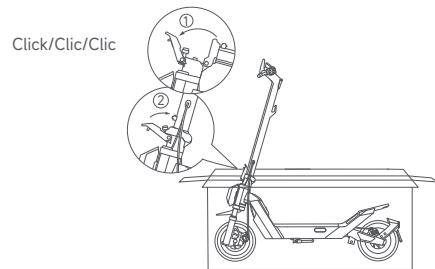
- ① Levier de sonnette : Appuyez pour faire sonner la sonnette.
- ② Bouton de lumière : Lorsque la trottinette est allumée, appuyez pour allumer ou éteindre le phare et le feu arrière.
- ③ Boutons de clignotants : Appuyez pour activer le clignotant gauche ou droit. Le signal correspondant et l'indicateur sur l'écran commenceront à clignoter. Appuyez de nouveau pour les éteindre.
- ④ Bouton BOOST : Appuyez pour activer la fonction BOOST (valable uniquement en mode S), puis appuyez de nouveau pour quitter.
Remarque : Il est recommandé d'utiliser cette fonction uniquement après avoir maîtrisé les commandes de base.
- ⑤ Bouton d'alimentation / Changement de mode : Appuyez pour allumer. Maintenez enfoncé pendant 2 secondes pour éteindre. Une fois allumé, appuyez deux fois pour changer de mode de conduite.
- ⑥ Accélérateur : Appuyez pour accélérer (fonctionne lorsque la vitesse de départ dépasse 3 km/h).
Remarque : La vitesse de départ peut être ajustée via l'application NAVEE.

Tableau de bord

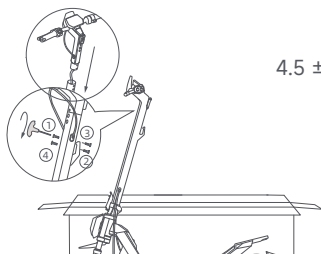


- ① Clignotant gauche/droite : lorsque l'icône clignote, cela signifie que le clignotant gauche ou droit est activé.
- ② Feu : indique que le phare est allumé.
- ③ Bluetooth : L'icône Bluetooth reste allumée lorsque la trottinette est connectée à votre appareil mobile.
- ④ TCS (Système de contrôle de traction) : Lorsqu'il est activé, le TCS aide à éviter les dérapages excessifs et améliore la stabilité globale lors du démarrage, de l'accélération ou des virages. Vous pouvez activer ou désactiver cette fonction via l'application NAVEE.
- ⑤ Transmission intégrale (NT5 Ultra X uniquement) : Indique que le mode à deux roues motrices est activé. Maintenez le bouton BOOST enfoncé pendant 3 secondes pour l'activer ou le désactiver, ou contrôlez-le via l'application NAVEE.
- ⑥ Niveau de batterie : Le niveau de batterie est indiqué par 5 barres. Chaque barre représente environ 20 % de charge.
- ⑦ Modes de conduite : indique le mode marche — vitesse maximale : 6 km/h. D indique le mode standard. S indique le mode sport.
- ⑧ Compteur de vitesse : Affiche la vitesse actuelle de conduite. Affiche les codes d'erreur en cas de défaillance et le niveau de batterie pendant la recharge.
- ⑨ Avertissement de température : L'icône du thermomètre s'allume lorsque la température de la batterie est trop élevée ou trop basse. Attendez que la température revienne à une plage normale avant d'utiliser ou de recharger la trottinette.
- ⑩ Indicateur d'erreur : Une icône de clé rouge fixe indique un dysfonctionnement du système.
- ⑪ Mode BOOST : Indique que la fonction de suralimentation est activée.
- ⑫ Verrouillage : Cette icône s'allume lorsque la trottinette est verrouillée. Vous pouvez verrouiller ou la déverrouiller via l'application NAVEE.

Assemblage



1. Soulevez la colonne de direction jusqu'à ce qu'elle soit complètement en position verticale. Poussez ensuite le levier de déverrouillage rapide vers l'intérieur jusqu'au bout.

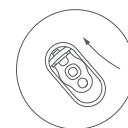
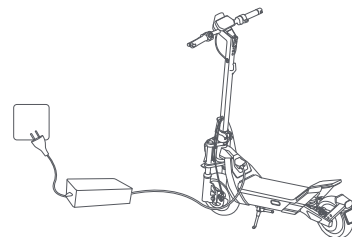


$4.5 \pm 0.5 \text{ N}\cdot\text{m}$

2. Installez le guidon sur la colonne de direction en veillant à le positionner dans le bon sens. Suivez l'ordre numérique indiqué pour pré-serrer les quatre vis avec la clé Allen fournie. Vérifiez que le guidon est correctement installé avant de serrer complètement les vis.

Charge

La trottinette est complètement chargée lorsque le voyant LED du chargeur passe du rouge au vert.



1. Ouvrez le capot du port de charge.



2. Branchez l'adaptateur secteur au port de charge.



3. Après la charge, retirez la fiche et refermez soigneusement le capot du port de charge.



ATTENTION !

Utilisez uniquement l'adaptateur secteur d'origine pour éviter d'éventuels dommages ou incendies. Éteignez le véhicule ou sélectionnez un mode non opérationnel pendant la charge.

Chargez votre trottinette à l'intérieur et ne la laissez jamais prendre la pluie. Ne chargez pas quand le port de charge ou le câble d'alimentation sont mouillés. Si la batterie est endommagée ou détrempée, il est interdit de la charger ou de continuer de l'utiliser.

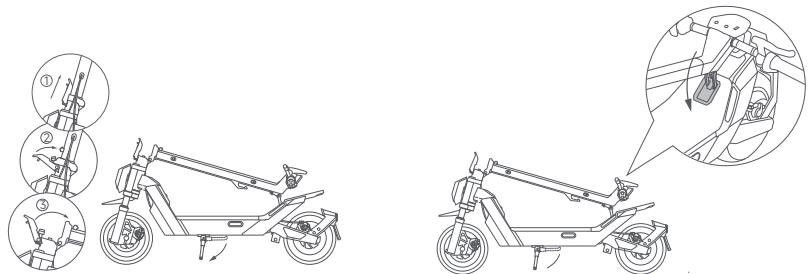


Pour NT5 Ultra et NT5 Ultra X uniquement.

Lorsque la trottinette reste éteinte pendant environ un mois avec un niveau de batterie inférieur à 30%, elle passe en mode veille. Dans ce cas, la trottinette ne peut pas être allumée. Pour sortir du mode veille, chargez la trottinette pendant environ trois secondes pour activer la batterie.

Pliage

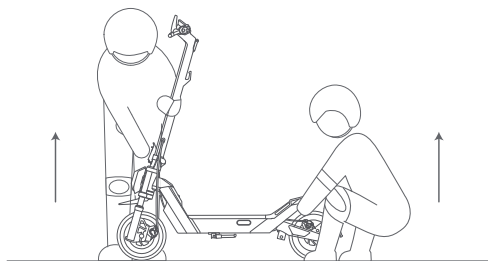
Tenez toujours le guidon pour maintenir la stabilité lors du pliage et du dépliage !



Tenez la potence, appuyez sur le verrouillage de sécurité et tirez le levier de libération rapide, puis pliez la potence.

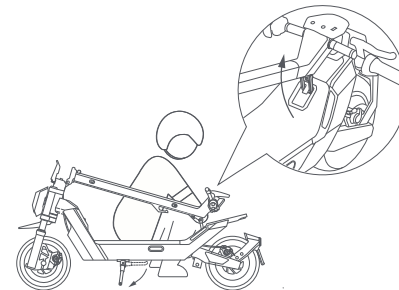
Alignez le système d'attache avec le crochet et attachez-les ensemble.

Transport



Si nécessaire, soulevez la trottinette par la base de la fourche avant et le repose-pied arrière. Veillez toujours à ce qu'elle soit portée par au moins deux personnes.

Dépliage



Tirez le système d'attache vers le haut pour libérer le crochet. Tenez la potence puis soulevez le verrouillage de sécurité et poussez le levier de libération rapide à fond vers l'intérieur.

Astuces de sécurité : Quand vous soulevez la potence de la trottinette, ne mettez JAMAIS vos mains au niveau des parties pliantes pour éviter des blessures graves.

3. Entretien et soin

Nettoyage

Avant de nettoyer votre trottinette:

Éteignez l'alimentation. Débranchez le câble de charge. Assurez-vous que le couvercle du port de charge est bien fermé.

Pour nettoyer :

Essuyez la trottinette avec un chiffon doux et humide. Pour la saleté tenace, utilisez une brosse souple (par exemple une brosse à dents). Terminez en séchant toutes les surfaces avec un chiffon propre et sec.

Évitez ce qui suit:

- Utiliser de l'eau à haute pression (cela pourrait endommager les composants internes).
- Utiliser des nettoyants corrosifs (ils peuvent endommager les parties internes et externes).

Entretien de la batterie

Pour maximiser la durée de vie de la batterie :

Évitez de décharger complètement la batterie. Rechargez-la régulièrement.

Maintenez toujours les températures d'utilisation, de charge et de stockage dans les limites indiquées dans les spécifications.

En cas de non-utilisation prolongée, rechargez tous les 60 jours pour éviter tout dommage permanent. Une trottinette complètement chargée peut rester en veille pendant environ 120 à 180 jours.

Avertissements concernant la batterie:

- Utilisez uniquement le chargeur et la batterie d'origine fournis avec votre trottinette.
- N'utilisez jamais une batterie ou un chargeur d'un autre modèle ou d'une autre marque.
- Ne chargez pas et n'utilisez pas la trottinette si la batterie est endommagée ou a été exposée à l'eau.
- N'essayez pas de retirer la batterie vous-même — cela nécessite une intervention professionnelle.

Stockage

Si vous stockez la trottinette à long terme:

Chargez complètement la batterie. Éteignez la trottinette. Rangez-la dans un endroit frais et sec, à l'abri du soleil et de l'humidité.

Utilisez l'emballage d'origine pour le transport, si disponible.

Rappels de stockage :

- Gardez la trottinette éloignée de tout matériau inflammable.
- Évitez de la stocker en plein soleil ou dans des environnements très humides.
- Ce produit contient une batterie au lithium. Respectez les lois locales concernant le transport et le stockage.

Avis environnemental

La trottinette contient un bloc batterie lithium-ion rechargeable, et une mauvaise élimination de ces batteries peut être nocive à l'environnement. Suivez les étapes ci-dessous pour retirer les batteries avant de jeter la trottinette et d'éliminer les batteries correctement:

1. Avant de retirer la batterie, assurez-vous que la trottinette est éteinte et que la batterie est complètement déchargée. Dévissez les vis retenant les composants en plastique, la béquille, le couvercle du compartiment de la batterie et le couvercle du contrôleur, puis retirez soigneusement chaque composant.
2. Débranchez le raccord de la batterie puis retirez les batteries. N'endommagez pas le boîtier de la batterie pour éviter tout risque de blessure. Benutzen Sie die Batterie nicht, wenn sie beschädigt ist, eigenartig riecht, Rauch austritt oder sie überhitzt ist. Halten Sie eine auslaufende Batterie fern von anderen Gegenständen.
3. Recyclez la batterie retirée dans un centre de recyclage agréé.

Périodicité d'entretien du scooter (Recommandée) :

L'entretien régulier du scooter peut aider à garder le scooter propre et en bon état ; il permet également de prévenir les risques de sécurité, de minimiser les pannes, de ralentir la détérioration du scooter et de prolonger la durée de vie du scooter.

Article	Objet du Service	Actions	Tous les mois	Tous les 3 mois	Tous les 500 km/ 6 mois	Tous les 1000 km/ 1 an	Tous les 10000 km/ 3 ans
Pneus	Usure de la Bande de Roulement	Vérifier si le pneu est fissuré, déformé, usé, etc.			✓	✓	✓
Vis	Vis de l'Ensemble Guidon	Serrer la vis qui relie l'ensemble guidon à l'ensemble potence (avec le couple recommandé à 4,5 ± 0,5 N-m).		✓	✓	✓	✓
		Serrer la vis de l'accélérateur (avec le couple recommandé à 2,5 ± 0,1 N-m).			✓	✓	
		Serrer la vis du levier de frein (avec le couple recommandé à 5,5 ± 0,2 N-m).				✓	✓
	Étrier du disque de frein	Serrez la vis qui fixe l'étrier du disque de frein (le pas de filetage recommandé est de 7,0 ± 0,5 N·m).			✓	✓	✓

Article	Objet du Service	Actions	Tous les mois	Tous les 3 mois	Tous les 500 km/ 6 mois	Tous les 1000 km/ 1 an	Tous les 10000 km/ 3 ans
Fonctions	Réglage des Freins	Avant le réglage, obtenez une clé de 4 mm (à préparer par l'utilisateur) et assurez-vous que la trottinette est éteinte et qu'elle n'est pas en charge. Pendant le réglage, tirer l'extrémité du câble de frein pour serrer le câble de frein. Si le frein est trop serré, utiliser un outil pour desserrer la vis en la tournant dans le sens contraire des aiguilles d'une montre, tirer le culbuteur du frein à disque vers l'extérieur, puis serrer la vis. Si le frein est trop lâche, utiliser un outil pour desserrer la vis en la tournant dans le sens contraire des aiguilles d'une montre, pousser le culbuteur du frein à disque vers l'avant, puis serrer la vis.			✓	✓	✓
	Recharge	Recharger le scooter à une température appropriée. L'indicateur du chargeur de batterie est rouge lorsque le scooter est en charge, et devient vert lorsque le scooter est complètement chargé. Le panneau de commande affiche simultanément l'état de charge pendant la charge.			✓	✓	✓
	Direction	Tourner le guidon de 60° vers la gauche et la droite pour vous assurer que l'angle de braquage est correct et que le guidon ne présente aucune résistance ni stagnation.				✓	✓
Composants Importants	Ensemble Batterie	Recharger complètement le scooter avant de cesser de l'utiliser pendant une longue période, et mettez-le en charge tous les 60 jours.					✓

Si les roues, les plaquettes de frein et d'autres pièces vulnérables sont usées ou endommagées et doivent être remplacées, veuillez contacter le service après-vente à temps.

Pour trouver un centre de service agréé, veuillez nous contacter à l'adresse service@navee.tech ou visiter le site <https://www.naveetech.com>.

4. Résolution des pannes

Codes d'erreur	Raisons	Solutions
E1	Panne du tableau de bord	Contactez le service après-vente pour la détection et la réparation de la panne.
E2/E3/E4/E5/E6	Panne du contrôleur	
H3	Panne de l'accélérateur	Vérifiez que l'accélérateur est bien revenu en position, sinon il ne peut pas fonctionner correctement. Contactez le service après-vente dans les meilleurs délais pour une détection et une réparation de la panne si le faisceau de câbles de l'accélérateur est débranché ou endommagé.
H4	Défaillance des freins	Vérifiez que le levier de frein est bien revenu en position, sinon il ne peut pas fonctionner correctement. Si le câble du levier de frein se détend ou est endommagé, veuillez contacter le service après-vente immédiatement pour faire inspecter et réparer le produit.
H5	Panne du moteur	Contactez le service après-vente pour la détection et la réparation de la panne.

Avertissement de sécurité



Danger!
Lisez le manuel de l'utilisateur avant toute utilisation.



AVERTISSEMENT
Pour une utilisation à l'intérieur uniquement (pour le chargeur).



AVERTISSEMENT
Lire attentivement et conserver le manuel pour toute référence future.



AVERTISSEMENT
Appareil de Classe II



AVERTISSEMENT
Surface Chaude



AVERTISSEMENT
Bords Tranchants



Ne pas exposer à l'humidité



≤ 5000m

Les chargeur sont conçus pour être utilisés à des altitudes ne dépassant pas 5000 mètres.



Éclairage



Feu de direction



SMPS incorporant un transformateur d'isolement de sécurité résistant aux courts-circuits (intrinsèquement ou non)



Courant continu



SMPS (unité d'alimentation en mode interrupteur)



Courant alternatif



Polarité de sortie de chargeur, centre positif



Avertissement sonore pour alerter les personnes

5. Caractéristiques

Produit	Nom	NAVEE Electric Scooter				
	Modèle	NT5 Max EU	NT5 Max DE	NT5 Max IT	NT5 Max SE	NT5 Max AT
Dimensions	Véhicule : L × l × H (mm) ^[1]	1250 × 625 × 1355				
	Après pliage : L × W × H (mm)	1250 × 625 × 645				
Poids net	Poids net du véhicule (kg)	33,5				
Utilisateur	Plage de charge (kg)	25 à 150				
	Âge	16 à 50				
	Taille (cm)	120 à 200				
Trottinette électrique assemblée	Vitesse maximale (km/h)	25	20	25	20	25
	Autonomie max. (km) ^[2]	85				
	Autonomie à pleine vitesse (km) ^[3]	53	75	53	75	53
	Angle maximum de montée (%)	28				
	Surfaces adaptées	Route revêtu en ciment et d'asphalte, avec des bermes inférieures à 1 cm ou des crevasses inférieures à 3 cm.				
	Température de fonctionnement (°C)	-10 à 40				
	Température de stockage (°C)	-20 à 45				
	Indice de protection (IP)	IPX6				
	Temps de charge (h)	Environ 5-6				
	Bloc de batterie	Modèle	T2545-BD1A			
Tension nominale (VCC)		46,8				
Tension maximale de charge (VCC)		54,6				
Énergie nominale (Wh)		561,6				
Système intelligent de gestion de batterie		Surchauffe, court-circuit, surintensité, surcharge et protection contre la surcharge				
Plage de températures de charge normales (°C)		0 à 40				
Capacité nominale (Ah)		12				
Moteur-roue	Puissance nominale (kW ; W)	0,7; 700	0,5; 500	0,5; 500	0,25; 250	0,6; 600
Chargeur de batterie	Modèle ^[4]	FY1505462450				
	Puissance de sortie (kW ; W)	0,133; 133,77				
	Entrée	100-240 V- 50/60 Hz				
	Sortie nominale (VCC ; A)	54,6 ; 2,45				
Pneu	Pneus avant et arrière	Pneus tout-terrain 10,5 pouces à haute adhérence				
Bluetooth	Bande de fréquences (s)	2,4000 à 2,4835 GHz				
	Puissance d'émission maximale (dBm)	8				

[1] Hauteur du véhicule : du sol jusqu'au sommet de la trottinette.

[2] Autonomie maximale : mesurée à 25 °C par temps calme, avec une trottinette entièrement chargée roulant à 15 km/h sur une surface plane avec une charge de 75 kg.

[3] Autonomie à pleine vitesse : mesurée à 25 °C par temps calme, avec une trottinette entièrement chargée roulant à sa vitesse maximale sur une surface plane avec une charge de 75 kg.

[4] Pour recharger la batterie, utilisez uniquement le chargeur fourni dans l'emballage.

Produit	Nom	NAVEE Electric Scooter				
	Modèle	NT5 Ultra X EU	NT5 Ultra X DE	NT5 Ultra X IT	NT5 Ultra X SE	NT5 Ultra X AT
Dimensions	Véhicule : L × l × H (mm) ^[1]	1250 × 625 × 1355				
	Après pliage : L × W × H (mm)	1250 × 625 × 645				
Poids net	Poids net du véhicule (kg)	36,5				
Utilisateur	Plage de charge (kg)	25 à 150				
	Âge	16 à 50				
	Taille (cm)	120 à 200				
Trottinette électrique assemblée	Vitesse maximale (km/h)	25	20	20	20	25
	Autonomie max. (km) ^[2]	90				
	Autonomie à pleine vitesse (km) ^[3]	66	78	78	78	66
	Angle maximum de montée (%)	45				
	Surfaces adaptées	Route revêtu en ciment et d'asphalte, avec des bermes inférieures à 1 cm ou des crevasses inférieures à 3 cm.				
	Température de fonctionnement (°C)	-10 à 40				
	Température de stockage (°C)	-20 à 45				
	Indice de protection (IP)	IPX6				
	Temps de charge (h)	Environ 7-8				
	Bloc de batterie	Modèle	T2443-BD6A			
Tension nominale (VCC)		46,8				
Tension maximale de charge (VCC)		54,6				
Énergie nominale (Wh)		898,56				
Système intelligent de gestion de batterie		Surchauffe, court-circuit, surintensité, surcharge et protection contre la surcharge				
Plage de températures de charge normales (°C)		0 à 40				
Capacité nominale (Ah)		19,2				
Moteur-roue	Puissance nominale (kW ; W)	0,5 × 2; 500 × 2	0,25 × 2; 250 × 2	0,25 × 2; 250 × 2	0,125 × 2; 125 × 2	0,3 × 2; 300 × 2
	Chargeur de batterie	Modèle ^[4]	FY1505462450			
Puissance de sortie (kW ; W)		0,133; 133,77				
Entrée		100-240 V- 50/60 Hz				
Pneu	Sortie nominale (VCC ; A)	54,6 ; 2,45				
	Pneus avant et arrière	Pneus tout-terrain 10,5 pouces à haute adhérence				
Bluetooth	Bande de fréquences (s)	2,4000 à 2,4835 GHz				
	Puissance d'émission maximale (dBm)	8				

[1] Hauteur du véhicule : du sol jusqu'au sommet de la trottinette.

[2] Autonomie maximale : mesurée à 25 °C par temps calme, avec une trottinette entièrement chargée roulant à 15 km/h sur une surface plane avec une charge de 75 kg.

[3] Autonomie à pleine vitesse : mesurée à 25 °C par temps calme, avec une trottinette entièrement chargée roulant à sa vitesse maximale sur une surface plane avec une charge de 75 kg.

[4] Pour recharger la batterie, utilisez uniquement le chargeur fourni dans l'emballage.

6. Certifications

Directive relative à la limitation de l'utilisation de certaines substances dangereuses (RoHS)

Ce produit de SPACEWALKER PTE. LTD. avec les pièces incluses (câbles, cordons, et autres) répond à la restriction d'utilisation de certaines substances dangereuses dans l'Annexe II 2011/65/UE et sa Directive d'amendement (UE) 2015/863 sur les équipements électriques et électroniques.

Déclaration de conformité pour l'Union européenne



Cet équipement répond aux exigences relatives à la limitation de l'exposition du public aux champs électromagnétiques dans le cadre de la protection de la santé. Par la présente, SPACEWALKER PTE. LTD. déclare que cet équipement radio de type : [NT5 Max EU], [NT5 Max DE], [NT5 Max IT], [NT5 Max SE], [NT5 Max AT], [NT5 Ultra X EU], [NT5 Ultra X DE], [NT5 Ultra X IT], [NT5 Ultra X SE] et [NT5 Ultra X AT] est conforme aux Directives 2014/53/UE et 2006/42/EC. L'intégralité de la déclaration de conformité pour l'UE est disponible à l'adresse suivante : www.naveetech.com

Déclaration UE de conformité

Informations sur recyclage des batteries pour l'Union européenne



Les batteries ou leur emballage sont étiquetés conformément au Règlement (UE) 2023/1542 relatif aux piles, accumulateurs et aux déchets de piles et d'accumulateurs. La directive détermine le cadre pour le retour et le recyclage des batteries et accumulateurs usagés, applicable pour toute l'Union européenne. Cette étiquette est appliquée sur différentes batteries pour indiquer qu'elles ne doivent pas être jetées, mais qu'elles doivent être recyclées au terme de sa durée de vie utile selon cette directive.

Conformément au Règlement (UE) 2023/1542, les piles et accumulateurs sont étiquetés pour indiquer qu'ils doivent être collectés séparément et recyclés en fin de vie. L'étiquette de la batterie peut également comprendre un symbole chimique pour le métal concerné dans la fabrication de la batterie (Pb pour le plomb, Hg pour le mercure et Cd pour le cadmium). Les utilisateurs de batteries et d'accumulateurs ne doivent pas les jeter comme des déchets ménagers non triés, mais doivent utiliser la structure disponible pour le renvoi, le recyclage, et le traitement des batteries et des accumulateurs. La participation du client est indispensable pour réduire au minimum les effets des batteries et des accumulateurs sur l'environnement et la santé humaine en raison de la présence éventuelle de produits dangereux.

Avant de déposer les équipements électriques et électroniques (EEE) dans les installations de collecte des déchets, l'utilisateur final des équipements comprenant des batteries ou des accumulateurs doit retirer ces derniers pour une collecte séparée.

Directive relative aux déchets d'équipements électriques et électroniques (DEEE)



Tous les produits portant ce symbole deviennent des déchets d'équipements électriques et électroniques (DEEE dans la Directive européenne 2012/19/UE) qui ne doivent pas être mélangés aux déchets ménagers non triés. Vous devez contribuer à la protection de l'environnement et de la santé humaine en apportant l'équipement usagé à un point de collecte dédié au recyclage des équipements électriques et électroniques, agréé par le gouvernement ou les autorités locales. Le recyclage et la destruction appropriés permettront d'éviter tout impact potentiellement négatif sur l'environnement et la santé humaine. Contactez l'installateur ou les autorités locales pour obtenir plus d'informations concernant l'emplacement ainsi que les conditions d'utilisation de ce type de point de collecte.

Chargeur de batterie

ATTENTION

1. Le chargeur est conçu pour être utilisé à l'intérieur uniquement. Ne l'exposez pas à la pluie ou à la neige.
2. Ne pas utiliser pour des piles non rechargeables, car elles peuvent surchauffer et se casser.
3. Une mauvaise utilisation d'autres types de piles peut les faire éclater et provoquer des blessures et des dommages.
4. Ne pas incinérer, démonter ou court-circuiter les piles.
5. Si les performances des piles diminuent considérablement, il est temps de les remplacer.
6. Ranger le chargeur dans un endroit frais et sec lorsqu'il n'est pas utilisé.
7. Déconnecter l'alimentation avant d'effectuer ou de rompre les connexions avec la batterie.
8. Gaz explosifs. Éviter les flammes et les étincelles. Assurer une ventilation adéquate pendant la charge.
9. Pendant la charge, la batterie doit être placée dans un endroit bien ventilé.
10. Tenir les appareils électriques hors de portée des enfants ou des personnes infirmes. Ne les laissez pas utiliser les appareils sans surveillance.
11. Cet appareil n'est pas destiné à être utilisé par des personnes (y compris des enfants) dont les capacités physiques, sensorielles ou mentales sont réduites, ou qui manquent d'expérience et de connaissances, à moins qu'elles n'aient reçu une surveillance ou des instructions concernant l'utilisation de l'appareil de la part d'une personne responsable de leur sécurité.
12. Cet appareil peut être utilisé par des enfants âgés de 8 ans et plus et des personnes aux capacités physiques, sensorielles ou mentales réduites, ou manquant d'expérience et de connaissances, s'ils ont bénéficié d'une surveillance ou d'instructions concernant l'utilisation de l'appareil en toute sécurité et s'ils comprennent les risques encourus. Les enfants ne doivent pas jouer avec l'appareil. Le nettoyage et l'entretien ne doivent pas être effectués par des enfants sans surveillance.
13. Le câble flexible externe ou cordon de ce transformateur ne peut être remplacé ; si le cordon est endommagé, le transformateur doit être mis au rebut.
14. Si le cordon d'alimentation est endommagé, il doit être remplacé par un cordon ou un ensemble spécial disponible auprès du fabricant ou de son agent de service.

Instructions pour la charge

1. Connectez le chargeur directement à une source d'alimentation. Ne jamais utiliser de rallonge.
2. Le chargeur ne peut charger que des batteries au lithium-ion.
3. Éviter de charger à l'envers.
4. Les chargeurs ne sont pas destinés à charger des batteries automobiles.

 : Unité d'alimentation amovible

ATTENTION

1. Ne pas démonter, ouvrir ou décharger les piles ou batteries secondaires.
2. Tenir les piles hors de portée des enfants. L'utilisation des piles par les enfants doit être surveillée. Gardez en particulier les petites piles hors de portée des jeunes enfants.
3. Consulter immédiatement un médecin en cas d'ingestion d'une pile ou d'une batterie.
4. Ne pas exposer les piles ou les batteries à la chaleur ou au feu. Éviter le stockage en plein soleil.
5. Ne pas court-circuiter une pile ou une batterie. Ne pas ranger les piles ou les batteries au hasard dans une boîte à tiroir où elles risquent de se court-circuiter ou d'être court-circuitées par d'autres objets métalliques.
6. Ne pas retirer une pile ou une batterie de son emballage d'origine tant qu'elle n'est pas utilisée.
7. Ne pas soumettre les piles ou les batteries à des chocs mécaniques.
8. En cas de fuite d'une pile, ne pas laisser le liquide entrer en contact avec la peau ou les yeux. En cas de contact, laver la zone affectée avec de grandes quantités d'eau et consulter un médecin.
9. N'utilisez pas de chargeur autre que celui spécifiquement fourni pour l'équipement.
10. Respectez les marques plus (+) et moins (-) sur la cellule, la batterie et l'équipement et assurez-vous d'une utilisation correcte.
11. N'utilisez pas de piles ou de batteries qui ne sont pas conçues pour être utilisées avec l'équipement.
12. Ne pas mélanger des piles de fabrication, de capacité, de taille ou de type différents dans un même appareil.
13. Toujours acheter la batterie recommandée par le fabricant de l'appareil pour l'équipement.
14. Garder les piles et les batteries propres et sèches.
15. Essuyez les bornes de la cellule ou de la batterie avec un chiffon propre et sec si elles sont sales.
16. Les piles et batteries secondaires doivent être chargées avant d'être utilisées. Utilisez toujours le chargeur approprié et référez-vous aux instructions du fabricant ou au manuel de l'équipement pour les instructions de charge appropriées.
17. Ne pas laisser une batterie en charge prolongée lorsqu'elle n'est pas utilisée.
18. Après de longues périodes de stockage, il peut être nécessaire de charger et de décharger les cellules ou les batteries plusieurs fois pour obtenir des performances maximales.
19. Conserver la documentation originale du produit pour s'y référer ultérieurement.
20. Utiliser la cellule ou la batterie uniquement dans l'application pour laquelle elle a été conçue.
21. Dans la mesure du possible, retirez la batterie de l'équipement lorsqu'il n'est pas utilisé.
22. Mettez-la au rebut de manière appropriée.

Résumé de la garantie

Ce produit comprend une garantie limitée qui couvre les défauts de fabrication pendant une période spécifiée à partir de la date d'achat. Les conditions de garantie, la durée et la disponibilité du service peuvent varier selon le pays ou la région. La garantie ne couvre pas les dommages causés par une mauvaise utilisation, des accidents ou des réparations non autorisées. Pour des conditions détaillées et un support local, veuillez visiter <https://service.naveetech.com>.

1. Sicherheitshinweise

Übersetzung der ursprünglichen Mitteilung

WICHTIG! Bitte lesen Sie das Handbuch sorgfältig durch, bevor Sie das Produkt benutzen, und bewahren Sie es zum späteren Nachschlagen auf.

Ein ausführliches elektronisches Handbuch finden Sie unter www.naveetech.com

- Dieses Gerät ist nicht für Personen (einschließlich Kinder) mit eingeschränkten physischen, sensorischen oder geistigen Fähigkeiten oder mangelnder Erfahrung und Kenntnis bestimmt, es sei denn, sie werden von einer für ihre Sicherheit zuständige Person beaufsichtigt oder erhalten von ihr Anweisungen zum Gebrauch des Geräts. Kinder sollten beaufsichtigt werden, damit sie nicht mit dem Gerät spielen.
- Dieses Gerät ist für Personen über 8 Jahren und auch Personen mit eingeschränkten körperlichen, sensorischen oder geistigen Fähigkeiten oder mangelnder Erfahrung und Kenntnis bestimmt, wenn sie von einer für ihre Sicherheit zuständigen Person beaufsichtigt oder in die sichere Verwendung des Geräts eingewiesen wurden und die damit verbundenen Gefahren verstehen. Kinder dürfen nicht mit dem Gerät spielen. Reinigungs- und Wartungsarbeiten dürfen von Kindern nur unter Aufsicht durchgeführt werden.
- Das Gerät darf nur mit dem mitgelieferten Netzgerät verwendet werden.
- Bitte tragen Sie vor dem Fahren immer Schutzausrüstung wie einen Helm, Hand- und Handgelenkschützer, Knie- und Ellbogenschoner.
- Der Scooter darf nur von einer Person und unter Tragen von geeigneten Schuhen gefahren werden. Der Scooter darf nicht für andere Zwecke und akrobatischen Einsatz verwendet werden.
- Das Produkt wird für Fahrer über 16 Jahren und unter 50 Jahren empfohlen. Für folgende Personen ist die Nutzung dieses Produkts ungeeignet: (1) Personen unter Einfluss von Alkohol oder Drogen. (2) Personen, die aufgrund von Krankheit oder gesundheitlichen Einschränkungen keine anstrengenden körperlichen Aktivitäten ausführen können. (3) Personen mit schlechtem Gleichgewichtssinn oder eingeschränkter Motorik. (4) Personen, deren Gewicht die Produktgrenze überschreitet. (5) Schwangere Frauen. (6) Personen mit Seh- oder Hörbehinderungen.
- Halten Sie beim Fahren mit diesem Produkt die örtlichen Rechtsvorschriften ein und fahren Sie nur in erlaubten Bereichen.
- In Ländern oder Regionen, in denen es derzeit keine nationalen Normen oder Vorschriften für ElektroScooter gibt, müssen die in diesem Handbuch aufgeführten Sicherheitsanweisungen unbedingt befolgt werden. Bei Nichteinhaltung können Sicherheitsrisiken für Kinder entstehen. SPACEWALKER PTE. LTD. übernimmt keine direkte oder gemeinsame Haftung für Personenschäden, Sachschäden, Unfälle, rechtliche Streitigkeiten oder sonstige negative Folgen, die aus unsachgemäßer Verwendung oder Nichtbeachtung der Anweisungen in diesem Handbuch resultieren.
- Fahren Sie nicht auf Fahrspuren oder in Wohngebieten, in denen sowohl Fahrzeuge als auch Fußgänger zugelassen sind. Wenn Sie eine Stelle passieren, die für Fußgänger bestimmt ist, die das Recht auf Vorfahrt haben, wie z.B. einen Zebrastreifen, steigen Sie bitte ab und gehen Sie mit dem Scooter.
- Notwendige Vorbereitungen für die Nutzung dieses Produkts, z. B. die Überprüfung der Lenkung auf korrekte Einstellung, die Überprüfung aller angeschlossenen Komponenten (z. B. des Faltsystems) auf korrekten Sitz und einvernehmliche sowie die Überprüfung der Bremsen und Räder auf einwandfreien Zustand.
- Führen Sie vor jeder Fahrt eine grundlegende Inspektion des Elektro-Scooters durch. Bei abnormalen Zuständen wie lockeren Teilen, niedrigem Akkustand, platten Reifen oder übermäßigem Reifenverschleiß, seltsamen Geräuschen, Fehlfunktionen usw. beenden Sie sofort die Fahrt und holen Sie professionelle Hilfe.
- Nehmen Sie sich die Zeit, die Grundlagen der Praxis zu erlernen, um schwere Unfälle zu vermeiden, die in den ersten Monaten auftreten können. Informationen über die Praxis und ihre sichere Anwendung (verfügbar auf der Website www.naveetech.com)

- Sorgen Sie für klare Sicht und stellen Sie sicher, dass Sie während der Fahrt gut sichtbar sind.
- Fahren Sie nicht bei schlechtem Wetter, schlechter Sicht oder nach starker körperlicher Anstrengung.
- Wenn Sie bei Dunkelheit fahren, schalten Sie das Scheinwerferlicht ein und verlangsamen Sie die Geschwindigkeit.
- Stellen Sie sicher, dass der Ständer auf einer ebenen Fläche abgestellt ist und der Kick-Scooter von alleine stabil steht, bevor Sie ihn verlassen.
- Dieser Elektro-Scooter ist ein Freizeitgerät. Wenn Sie damit jedoch einen öffentlichen Bereich betreten, ist er ein Verkehrsmittel mit den möglichen Sicherheitsrisiken für alle Verkehrsmittel. Das Fahren unter strikter Einhaltung der Anweisungen in diesem Handbuch schützt Sie und andere in höchstem Maße.
- Der Benutzer sollte die Nutzungseinschränkungen gemäß den örtlichen Regelungen überprüfen. Fahren Sie den Scooter nur auf den Straßen oder in den Bereichen, die durch die örtlichen Rechtsvorschriften erlaubt sind, und parken Sie ihn in den erlaubten Bereichen. Wenn die örtlichen Regelungen andere Vorgaben haben, haben sie Vorrang. Bitte respektieren und befolgen Sie die Sicherheitsvorschriften für Straßenverkehr.
- Respektieren Sie das Recht der Fußgänger und verunsichern Sie sie, insbesondere Kinder, während der Fahrt nicht. Wenn Sie hinter Fußgängern fahren, klingeln Sie, um sie zu warnen, und fahren Sie langsamer, um sie von links zu überholen. Halten Sie sich beim Überqueren rechts mit geringer Geschwindigkeit (gilt für Länder, in denen Fahrzeuge auf rechter Seite fahren). Wenn Sie an Fußgängern vorbeifahren, fahren Sie langsam oder steigen Sie ab.
- Auf jeden Fall fahrend Sie vorausschauend unter Beachtung der jeweiligen Verkehrsregeln für Straßen und Gehwege. Machen Sie sich von Fußgängern oder Radfahrern bemerkbar, wenn Sie ihnen nähern. Überqueren Sie geschützte Passagen zu Fuß. Meiden Sie Bereiche mit hohem Verkehrsaufkommen oder überfüllte Bereiche.
- Das Fahren mit hoher oder unangemessener Geschwindigkeit (bei schlechter Witterung, schlechtem Untergrund oder ähnlichem) kann zum Verlust der Stabilität oder der Kontrolle führen. Um jegliches Risiko zu verringern, befolgen Sie alle Anweisungen in dieser Anleitung. Seien Sie bei der Montage und Demontage des Produkts vorsichtig, da es umfallen und Verletzungen verursachen kann.
- Im Stadtverkehr gibt es viele Hindernisse wie Bordsteinkanten oder Stufen zu überqueren. Vermeiden Sie möglichst Hindernissprünge. Es ist wichtig, dass Sie vor dem Überqueren dieser Hindernisse Ihre Fahrlinie und Geschwindigkeit an die eines Fußgängers anpassen und vorausschauend fahren. Es wird auch empfohlen, vom Scooter abzusteigen, wenn die Hindernisse wegen ihrer Form, Höhe oder Rutschigkeit gefährlich sind.
- Verleihen Sie Ihren Scooter nicht an Personen, die mit der Bedienung nicht vertraut sind. Bevor Sie den Elektro-Scooter verleihen, seien Sie bitte sicher, dass der Fahrer dieses Handbuch gelesen, das Anleitungsvideo gesehen und die grundlegende Bedienung verstanden hat. Weisen Sie die Fahrer darauf hin, dass sie die richtige Schutzkleidung tragen, um ihre Sicherheit zu gewährleisten.
- Erkundigen Sie sich bei Ihrem Verkäufer nach geeigneten Schulungseinrichtungen.
- Achten Sie in jedem Fall auf sich und andere.
- Jede Last am Lenker beeinträchtigt die Fahrzeugstabilität.
- Berühren Sie das Bremssystem nicht, da es wegen scharfer Kanten zu Verletzungen führen kann. Die Bremse kann bei Gebrauch heiß werden. Fassen Sie sie nach dem Gebrauch nicht an.
- Der A-gewichtete Emissionsschalldruckpegel beträgt unter 70dB(A).
- Für ein besseres Fahrgefühl wird empfohlen, das Produkt regelmäßig zu warten.
- Beseitigen Sie alle scharfen Kanten, die durch den Gebrauch entstehen.
- Zubehör und zusätzliche Gegenstände, die nicht vom Hersteller zugelassen sind, dürfen nicht verwendet werden.
- Die regelmäßige Wartung des Fahrzeugs ist ein Faktor der Sicherheit.
- Die selbstspannenden Muttern sowie die anderen selbstspannenden Verschlüsse können ihre Wirksamkeit verlieren und müssen eventuell nachgezogen werden.
- Überprüfen Sie regelmäßig den festen Sitz der verschiedenen Schraubverbindungen, insbesondere der Radachsen, des Klappsystems, der Lenkung und der Bremswelle.
- Nehmen Sie keine Veränderungen oder Umbauten am Fahrzeug vor, einschließlich des Lenkrohrs und der Hülse, des Vorbaus, des Klappmechanismus und der Hinterradbremse.

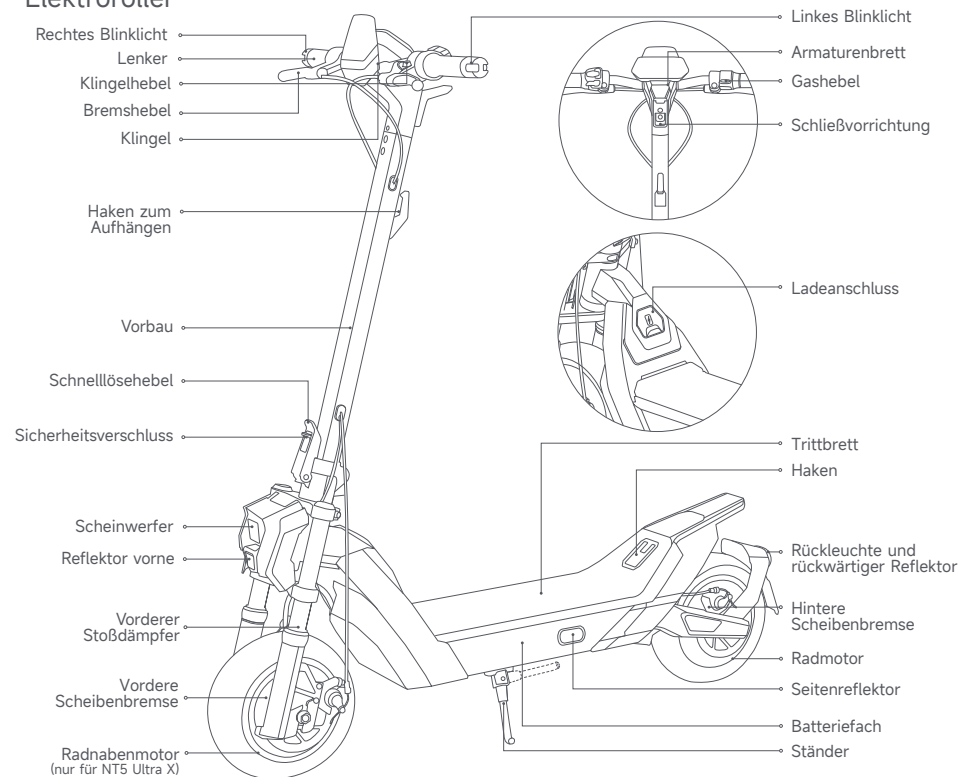
- Nehmen Sie keine Änderungen vor, die nicht in der Anleitung vermerkt sind.
- Achten Sie darauf, dass der Scooter beim Transport ausgeschaltet ist und möglichst in der Originalverpackung liegt.
- Um Verletzungen wie Stromschlag und Brand durch unsachgemäßen Gebrauch zu vermeiden, lesen Sie bitte die Anleitung vor dem Gebrauch sorgfältig durch und bewahren Sie sie zum späteren Nachschlagen auf.
- Bitte verwenden Sie dieses Produkt gemäß den Anweisungen im Benutzerhandbuch. Der Benutzer ist für alle Verluste oder Schäden durch unsachgemäßen Gebrauch dieses Produkts verantwortlich.
- Schalten Sie das Fahrzeug während des Ladevorgangs aus oder versetzen Sie es in einen nicht betriebsbereiten Modus.
- Laden Sie nicht, wenn der Ladeanschluss oder das Ladekabel nass ist. Lesen Sie diese Anleitung vor dem Aufladen sorgfältig durch.
- Laden Sie den Scooter nicht bei einer Umgebungstemperatur über 40° C oder unter 0° C auf.
- Bitte halten Sie einen Sicherheitsabstand ein, wenn der Tretroller auf einer ebenen Straße oder ohne Rampe fährt. Bei nassem Wetter verlängert sich der Bremsweg.
- Die Stoßdämpfung dieses Produkts ist nicht einstellbar (sofern zutreffend).
- Das Gerät ist nicht für den Gebrauch in Höhenlagen über 2000 m über dem Meeresspiegel vorgesehen.
- Das Gerät muss während der Wartung und beim Austausch von Teilen von der Stromquelle getrennt werden.
- Das externe flexible Kabel dieses Transformators (Ladegeräts) kann nicht ausgetauscht werden. Wenn das Kabel beschädigt ist, muss der Transformator (das Ladegerät) verschrottet werden.
- Wenn das externe flexible Kabel oder die Leitung dieses Transformators beschädigt ist, sollte es vom Hersteller, seinem Kundendienst oder einer ähnlich qualifizierten Person ersetzt werden, um Gefahren zu vermeiden.
- Wenn das Netzkabel beschädigt ist, muss es durch den Hersteller, seinen Kundendienst oder ähnlich qualifizierte Personen ersetzt werden, um eine Gefährdung zu vermeiden.
- Dieses Produkt enthält Batterien, die nur vom Fachpersonal oder Kundendienst ausgetauscht werden können.
- Dieses Gerät enthält Akkus, die nur von Fachleuten ausgetauscht werden dürfen.
- **WARNUNG:** Verwenden Sie zum Aufladen des Akkus nur das abnehmbare Netzteil, das mit diesem Gerät geliefert wird. Verwenden Sie kein Akkuladegerät eines anderen Produkts. Halten Sie beim Aufladen einen sicheren Abstand zu umgebenden brennbaren Gegenständen ein.
- **WARNUNG:** Verwenden Sie keine Akkus oder Akkuladegeräte von Drittanbietern. Verwenden Sie nur das Netzteil FY1505462450.
- **WARNUNG!** Halten Sie die Kunststoffabdeckung von Kindern fern, um Erstickungsgefahr zu vermeiden.
- **WARNUNG!** Verwenden Sie das Produkt niemals in der Nähe einer Wasserquelle.
- **WARNUNG!** Sie dürfen das Produkt nicht wenden, wenn es beschädigt ist.
- **WARNUNG!** Wie jedes mechanische Bauteil ist auch ein Fahrgerät hohen Belastungen und starkem Verschleiß unterworfen. Die verschiedenen Materialien und Komponenten können unterschiedlich auf Verschleiß oder Ermüdung reagieren. Wenn die zu erwartende Lebensdauer eines Bauteils überschritten ist, kann es plötzlich brechen, wodurch die Verletzungsgefahr für den Benutzer besteht. Risse, Kratzer und Verfärbungen in den stark beanspruchten Bereichen deuten darauf hin, dass das Bauteil seine Lebensdauer überschritten hat, und Sie sollten sich an eine autorisierte oder spezialisierte Werkstatt wenden.

Achten Sie bei der Verwendung auf Quetsch- und Einklemmgefahren an den folgenden Stellen:

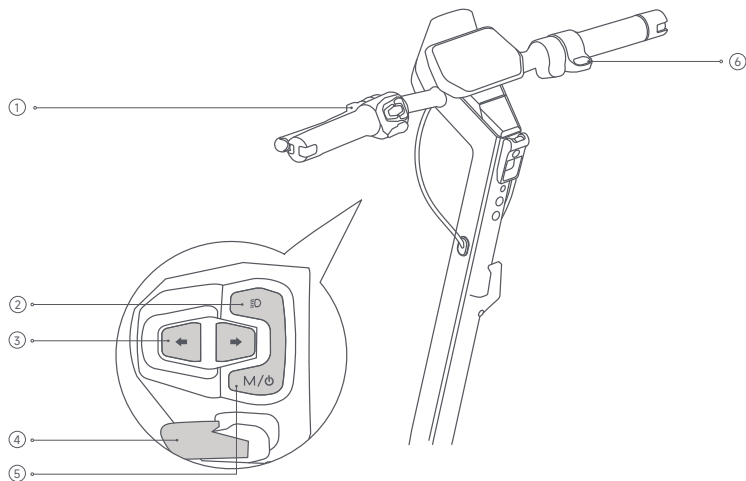
1. Zwischen dem Lenker und dem Vorbau, wenn der Lenker installiert wird.
2. Öffnungen an den Rädern.
3. Zwischen dem vorderen Radspritzschutzblech und dem Trittbrett.
4. Zwischen dem Schnellspannerhebel und dem Schnellspannverriegelungshebel und zwischen der Klappverbindung und dem Vorbau, wenn Sie das Fahrrad zusammenklappen oder aufklappen.
5. Zwischen den Radspritzschutzblechen und den Rädern.

2. Produktübersicht

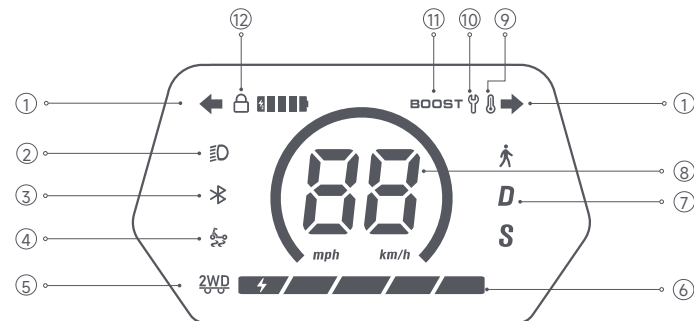
Elektroroller



*Die gezeigten Bilder dienen nur zur Veranschaulichung. Das tatsächliche Produkt kann abweichen.



- ① Klingelhebel: Drücken, um die Klingel zu betätigen.
- ② Lichttaste: Bei eingeschaltetem Scooter drücken, um Vorder- und Rücklicht ein- oder auszuschalten.
- ③ Blinkertasten: Drücken, um den linken oder rechten Blinker zu aktivieren. Das entsprechende Signal und die Anzeige auf dem Display beginnen zu blinken. Erneutes Drücken schaltet den Blinker aus.
- ④ BOOST-Taste: Drücken Sie, um die BOOST-Funktion zu aktivieren (nur im S-Modus verfügbar), und drücken Sie erneut, um sie zu deaktivieren.
Hinweis: Nur empfohlen, wenn der Fahrer die Grundsteuerung beherrscht.
- ⑤ Ein-/Ausrichter / Moduswechsel: Drücken zum Einschalten. Gedrückt halten (2 Sekunden) zum Ausschalten. Bei eingeschaltetem Scooter zweimal drücken, um den Fahrmodus zu wechseln.
- ⑥ Gashebel: Drücken zum Beschleunigen (funktioniert, wenn die Startgeschwindigkeit 3 km/h übersteigt).
Hinweis: Die Startgeschwindigkeit kann in der NAVEE-App angepasst werden.



- ① Blinker links/rechts: Wenn das Symbol blinkt, ist der entsprechende Blinker eingeschaltet.
- ② Licht: Zeigt an, dass das Frontlicht eingeschaltet ist.
- ③ Bluetooth: Das Bluetooth-Symbol bleibt aktiviert, wenn der Scooter erfolgreich mit Ihrem Mobilgerät verbunden ist.
- ④ TCS (Traktionskontrollsystem): Wenn aktiviert, hilft die TCS-Funktion, übermäßiges Durchdrehen der Reifen zu verhindern und verbessert die Gesamtstabilität beim Anfahren, Beschleunigen oder in Kurven. TCS kann über die NAVEE-App ein- oder ausgeschaltet werden.
- ⑤ Allradantrieb (nur NT5 Ultra X): Zeigt an, dass der Zweiradantriebsmodus aktiv ist. Halten Sie die BOOST-Taste 3 Sekunden lang gedrückt, um ihn ein- oder auszuschalten, oder steuern Sie ihn über die NAVEE App.
- ⑥ Akkustand: Der Akkustand wird mit 5 Balken angezeigt. Jeder Balken entspricht etwa 20 % Ladung.
- ⑦ Fahrmodi: steht für den Fußgängermodus – Höchstgeschwindigkeit: 6 km/h. D steht für den Standardmodus, S für den Sportmodus.
- ⑧ Tachometer: Zeigt die aktuelle Fahrgeschwindigkeit an. Bei einer Störung werden Fehlercodes angezeigt, während des Ladevorgangs der Akkustand.
- ⑨ Temperaturwarnung: Das Thermometersymbol leuchtet auf, wenn die Akkutemperatur zu hoch oder zu niedrig ist. Warten Sie, bis die Temperatur wieder im normalen Bereich liegt, bevor Sie den Scooter benutzen oder laden.
- ⑩ Fehleranzeige: Ein durchgehend rotes Schraubenschlüsselsymbol weist auf eine Systemstörung hin.
- ⑪ BOOST-Modus: Zeigt an, dass die Boost-Funktion aktiviert ist.
- ⑫ Sperre: Dieses Symbol leuchtet auf, wenn der Scooter verriegelt ist. Sie können den Scooter über die NAVEE-App sperren oder entsperren.

3. Wartung und Pflege

Reinigung

Bevor Sie Ihren Scooter reinigen:

Schalten Sie das Gerät aus. Ziehen Sie das Ladekabel ab. Stellen Sie sicher, dass die Abdeckung des Ladeanschlusses vollständig geschlossen ist.

Zur Reinigung:

Wischen Sie den Scooter mit einem weichen, feuchten Tuch ab. Bei hartnäckigem Schmutz verwenden Sie eine weiche Bürste (z. B. eine Zahnbürste). Trocknen Sie abschließend alle Oberflächen mit einem sauberen, trockenen Tuch. Reinigen Sie den Scooter nicht mit ätzenden Reinigungsmitteln, die die äußere und innere Struktur des Scooters beschädigen.

Vermeiden Sie Folgendes:

- Verwendung von Hochdruckwasser (kann interne Komponenten beschädigen).
- Verwendung von korrosiven Reinigungsmitteln (kann interne und externe Teile beschädigen).

Akkupflege

Um die Lebensdauer der Batterie zu maximieren:

Vermeiden Sie eine vollständige Entladung der Batterie. Laden Sie sie regelmäßig auf.

Halten Sie stets die Nutzungs-, Lade- und Lagertemperaturen innerhalb der in den technischen Daten angegebenen Grenzen.

Wenn der Scooter längere Zeit nicht benutzt wird, laden Sie die Batterie alle 60 Tage, um dauerhafte Schäden zu vermeiden. Ein vollständig geladener Scooter kann ca. 120–180 Tage im Standby bleiben.

Warnhinweise zur Batterie:

- Verwenden Sie nur das Original-Ladegerät und die Original-Batterie, die mit Ihrem Scooter geliefert wurden.
- Verwenden Sie niemals eine Batterie oder ein Ladegerät eines anderen Modells oder einer anderen Marke.
- Laden oder benutzen Sie den Scooter nicht, wenn die Batterie beschädigt ist oder mit Wasser in Kontakt kam.
- Versuchen Sie nicht, die Batterie selbst zu entfernen — dies erfordert einen professionellen Service.

Lagerung

Bei langfristiger Lagerung:

Laden Sie die Batterie vollständig auf. Schalten Sie den Scooter aus. Lagern Sie ihn an einem kühlen, trockenen Ort, fern von Sonnenlicht und Feuchtigkeit.

Verwenden Sie nach Möglichkeit die Originalverpackung für den Transport.

Hinweise zur Lagerung:

- Halten Sie den Scooter von brennbaren Materialien fern.
- Vermeiden Sie die Lagerung bei direkter Sonneneinstrahlung oder in sehr feuchten Umgebungen.
- Dieses Produkt enthält eine Lithiumbatterie. Beachten Sie die örtlichen Vorschriften für Transport und Lagerung.

Umweltinformation

Der Scooter enthält ein wiederaufladbares Lithium-Ionen-Akkupack, dessen unsachgemäße Entsorgung die Umwelt belastet. Folgen Sie den nachstehenden Schritten, um die Akkus zu entnehmen, bevor Sie den Scooter entsorgen, und entsorgen Sie die Akkus umweltgerecht:

1. Schalten Sie den Scooter vor dem Entfernen des Akkus aus und entladen Sie den Akku vollständig. Schrauben Sie die Schrauben der Kunststoffteile, des Seitenständers, der Batteriefachabdeckung und der Controller-Abdeckung heraus und entfernen Sie dann vorsichtig alle Komponenten.
2. Ziehen Sie den Akkustecker ab und nehmen Sie die Akkus heraus. Achten Sie darauf, dass das Akkugehäuse nicht beschädigt wird, um Verletzungsgefahr zu vermeiden. Die Batterie nicht mehr verwenden, wenn sie beschädigt ist, seltsamen Geruch abgibt, Rauch ausstößt oder überhitzt wurde. Halten Sie eine auslaufende Batterie von anderen Gegenständen fern.
3. Recyceln Sie die entnommene Batterie in einer zertifizierten Batterie-Recyclingstelle.

Scooter-Wartungsplan (empfohlen):

Regelmäßige Wartung des Rollers trägt dazu bei, ihn in einem sauberen und guten Zustand zu halten, Sicherheitsrisiken zu vermeiden, Pannen zu minimieren, den Verschleiß des Rollers zu verlangsamen und die Nutzungsdauer des Rollers zu verlängern.

Punkt	Serviceobjekt	Aktionen	Jeden Monat	Alle 3 Monate	Alle 500km / 6 Monate	Alle 1000km / 1 Jahr	Alle 10.000km / 3 Jahre
Reifen	Abnutzung des Reifenprofils	Den Reifen auf Risse, Verformung, Abnutzung usw. prüfen.			✓	✓	✓
Schrauben	Schrauben am Lenker	Die Schraube, die den Lenker mit dem Vorbau verbindet, festziehen (mit dem empfohlenen Anzugsmoment von $4,5 \pm 0,5 \text{ N}\cdot\text{m}$).		✓	✓	✓	✓
		Die Gaspedalschraube anziehen (mit dem empfohlenen Drehmoment von $2,5 \pm 0,1 \text{ N}\cdot\text{m}$).				✓	✓
		Die Schraube des Bremshebels festziehen (mit dem empfohlenen Drehmoment von $5,5 \pm 0,2 \text{ N}\cdot\text{m}$).					
	Bremssattel der Scheibenbremse	Ziehen Sie die Schraube an, mit der der Bremssattel der Scheibenbremse befestigt ist (empfohlenes Anzugsmoment: $7,0 \pm 0,5 \text{ Nm}$).			✓	✓	✓

Punkt	Serviceobjekt	Aktionen	Jeden Monat	Alle 3 Monate	Alle 500km / 6 Monate	Alle 1000km / 1 Jahr	Alle 10.000km / 3 Jahre
Funktionen	Einstellung der Bremse	Besorgen Sie sich vor dem Einstellen einen 4-mmMaulschlüssel (vom Benutzer bereitgestellt) und stellen Sie sicher, dass der Roller ausgeschaltet ist und nicht geladen wird. Ziehen Sie während der Einstellung am Ende des Bremsseils, um das Seil straff zu ziehen. Wenn die Bremse zu fest angezogen ist, verwenden Sie das Werkzeug, um die Schraube durch Drehen gegen den Uhrzeigersinn zu lösen, ziehen Sie den Kipphebel der Scheibenbremse nach außen und ziehen Sie dann die Schraube fest. Wenn die Bremse zu locker ist, verwenden Sie das Werkzeug, um die Schraube durch Drehen gegen den Uhrzeigersinn zu lösen, schieben Sie den Kipphebel der Scheibenbremse nach vorne und ziehen Sie dann die Schraube fest.			✓	✓	✓
	Aufladung	Den Roller bei einer geeigneten Temperatur aufladen. Die Anzeige am Batterieladegerät leuchtet rot, wenn der Roller geladen wird, und wird grün, wenn der Roller vollständig aufgeladen ist. Das Bedienfeld zeigt den Ladestatus während des Ladevorgangs zugleich an.			✓	✓	✓
	Lenkung	Den Lenker um 60° nach links und rechts drehen, um sicherzustellen, dass der Lenkwinkel richtig ist und die Lenkung frei von Widerstand und Blockade ist.				✓	✓
Wichtige Komponenten	Batterieeinheit	Den Roller vollständig aufladen, bevor er für längere Zeit unbenutzt wird, und ihn alle 60 Tage zum Aufladen einschalten.					✓

Wenn Räder, Bremsbeläge und andere empfindliche Teile abgenutzt oder beschädigt sind und ersetzt werden müssen, wenden Sie sich bitte rechtzeitig an den Kundendienst.

Um einen zertifizierten Servicepartner zu finden, kontaktieren Sie uns bitte unter service@navee.tech oder besuchen Sie <https://www.naveetech.com>.

4. Spezifikationen

Produkt	Bezeichnung		NAVEE Elektroroller			
	Modell		NT5 Max EU	NT5 Max DE	NT5 Max IT	NT5 Max SE
Abmessungen	Fahrzeug: L × B × H (mm) ^[1]	1250 × 625 × 1355				
	Zusammengeklappt: L × B × H (mm)	1250 × 625 × 645				
Nettogewicht	Nettogewicht des Fahrzeugs (kg)	33,5				
Fahrer	Last (kg)	25-150				
	Alter (Jahre)	16-50				
	Körpergröße (cm)	120-200				
Montierter Elektroroller	Höchstgeschwindigkeit (km/h)	25	20	25	20	25
	Maximale Reichweite (km) ^[2]	85				
	Reichweite bei Höchstgeschw. (km) ^[3]	53	75	53	75	53
	Max. Steigwinkel (%)	28				
	Geeignete Oberflächen	Beton- oder Asphaltstraßen mit Schwellen unter 1 cm bzw. Spalten unter 3 cm.				
	Betriebstemperatur (°C)	-10 bis 40				
	Lagertemperatur (°C)	-20 bis 45				
	Schutzgrad	IPX6				
Akkupack	Ladedauer (h)	ca. 5-6				
	Modell	T2545-BD1A				
	Nennspannung (V DC)	46,8				
	Max. Ladespannung (V DC)	54,6				
	Nennenergie (Wh)	561,6				
	Intelligentes Akkuverwaltungssystem	Schutz vor Überhitzung, Kurzschluss, Überstrom, Überentladung und Überladung				
Radmotor	Normaler Temperaturbereich während des Ladens (°C)	0 bis 40				
	Nennkapazität (Ah)	12				
	Nennleistung (kW; W)	0,7; 700	0,5; 500	0,5; 500	0,25; 250	0,6; 600
Akkuladegerät	Modell ^[4]	FY1505462450				
	Ausgangsleistung (kW; W)	0,133; 133,77				
	Eingang	100-240 V~ 50/60 Hz				
Reifen	Nennausgangsspannung/-strom (VDC; A)	54,6 ; 2,45				
	Vorder- und Hinterradreifen	10,5-Zoll Geländereifen mit hoher Bodenhaftung				
Bluetooth	Frequenzbereich(e)	2.4000 - 2.4835 GHz				
	Max. Funkleistung (dBm)	8				

[1] Fahrzeughöhe: vom Boden bis zur Oberkante des Scooters.

[2] Maximale Reichweite: gemessen bei Windstille und 25 °C, mit voll aufgeladenem Scooter bei 15 km/h auf ebener Fläche mit 75 kg Last.

[3] Reichweite bei Höchstgeschwindigkeit: gemessen bei Windstille und 25 °C, mit voll aufgeladenem Scooter bei maximaler Geschwindigkeit auf ebener Fläche mit 75 kg Last.

[4] Zum Aufladen der Batterie nur das im Lieferumfang enthaltene Ladegerät verwenden.

Produkt	Bezeichnung	NAVEE Elektroroller				
	Modell	NT5 Ultra X EU	NT5 Ultra X DE	NT5 Ultra X IT	NT5 Ultra X SE	NT5 Ultra X AT
Abmessungen	Fahrzeug: L × B × H (mm) ^[1]	1250 × 625 × 1355				
	Zusammengeklappt: L × B × H (mm)	1250 × 625 × 645				
Nettogewicht	Nettogewicht des Fahrzeugs (kg)	36,5				
Fahrer	Last (kg)	25-150				
	Alter (Jahre)	16-50				
	Körpergröße (cm)	120-200				
Montierter Elektroroller	Höchstgeschwindigkeit (km/h)	25	20	20	20	25
	Maximale Reichweite (km) ^[2]	90				
	Reichweite bei Höchstgeschw. (km) ^[3]	66	78	78	78	66
	Max. Steigwinkel (%)	90				
	Geeignete Oberflächen	Beton- oder Asphaltstraßen mit Schwellen unter 1 cm bzw. Spalten unter 3 cm.				
	Betriebstemperatur (°C)	-10 bis 40				
	Lagertemperatur (°C)	-20 bis 45				
	Schutzgrad	IPX6				
	Ladedauer (h)	ca. 7-8				
	Akkupack	Modell	T2443-BD6A			
Nennspannung (V DC)		46,8				
Max. Ladespannung(V DC)		54,6				
Nennenergie (Wh)		898,56				
Intelligentes Akkuverwaltungssystem		Schutz vor Überhitzung, Kurzschluss, Überstrom, Überentladung und Überladung				
Normaler Temperaturbereich während des Ladens (°C)		0 bis 40				
Nennkapazität (Ah)		19,2				
Radmotor	Nennleistung (kW; W)	0,5 × 2; 500 × 2	0,25 × 2; 250 × 2	0,25 × 2; 250 × 2	0,125 × 2; 125 × 2	0,3 × 2; 300 × 2
	Modell ^[4]	FY1505462450				
Akkuladegerät	Ausgangsleistung (kW; W)	0,133; 133,77				
	Eingang	100-240 V~ 50/60 Hz				
	Nennausgangsspannung/-strom (VDC; A)	54,6 ; 2,45				
Reifen	Vorder- und Hinterradreifen	10,5-Zoll Geländereifen mit hoher Bodenhaftung				
Bluetooth	Frequenzbereich(e)	2.4000 - 2.4835 GHz				
	Max. Funkleistung (dBm)	8				

[1] Fahrzeughöhe: vom Boden bis zur Oberkante des Scooters.

[2] Maximale Reichweite: gemessen bei Windstille und 25 °C, mit voll aufgeladenem Scooter bei 15 km/h auf ebener Fläche mit 75 kg Last.

[3] Reichweite bei Höchstgeschwindigkeit: gemessen bei Windstille und 25 °C, mit voll aufgeladenem Scooter bei maximaler Geschwindigkeit auf ebener Fläche mit 75 kg Last.

[4] Zum Aufladen der Batterie nur das im Lieferumfang enthaltene Ladegerät verwenden.

5. Zertifikationen

RoHS-Richtlinie

Dieses Produkt von SPACEWALKER PTE. LTD. erfüllt mit den mitgelieferten Teilen (Kabel, Schnüre usw.) die Beschränkung der Verwendung bestimmter gefährlicher Stoffe in Elektro- und Elektronikgeräten gemäß Anhang II der Richtlinie 2011/65/EU und deren Änderungsrichtlinie (EU) 2015/863.

EU-Konformitätserklärung



Dieses Gerät erfüllt die EU-Anforderungen zur Begrenzung der Exposition der Bevölkerung gegenüber elektromagnetischen Feldern.

Hiermit bestätigt SPACEWALKER PTE. LTD. dass das Funkgerät des Typs [NT5 Max EU], [NT5 Max DE], [NT5 Max IT], [NT5 Max SE], [NT5 Max AT], [NT5 Ultra X EU], [NT5 Ultra X DE], [NT5 Ultra X IT], [NT5 Ultra X SE] und [NT5 Ultra X AT] mit der Verordnung 2014/53/EU und 2006/42/EG in Einklang steht. Der vollständige Wortlaut der EU-Konformitätserklärung ist unter der folgenden Internetadresse abrufbar: www.naveetech.com

Entsorgung von elektrischen und elektronischen Geräten



Batterien oder Batteriepackungen sind gemäß der Verordnung (EU) 2023/1542 über Batterien, Akkumulatoren sowie Altbatterien und Alttakkumulatoren gekennzeichnet. Die Richtlinie bestimmt das in der gesamten EU gültige System für die Rückgabe und das Recycling von gebrauchten Batterien und Akkumulatoren. Dieses Kennzeichen findet sich auf verschiedenen Batterien und gibt an, dass die Batterie nicht entsorgt, sondern gemäß dieser Richtlinie wiederverwertet werden muss.

Gemäß der Verordnung (EU) 2023/1542 sind Batterien und Akkumulatoren so gekennzeichnet, dass sie am Ende ihrer Lebensdauer getrennt gesammelt und recycelt werden. Das Kennzeichen auf der Batterie kann auch ein chemisches Zeichen für das in der Batterie enthaltene gefährliche Metall (Pb für Blei, Hg für Quecksilber und Cd für Cadmium) aufweisen. Die Nutzer von Batterien und Akkumulatoren müssen diese gemäß dem verfügbaren Sammelsystem für Rückgabe, Recycling und Wiederaufbereitung von Batterien und Akkumulatoren getrennt entsorgen. Die Mitwirkung der Kunden spielt für die Eingrenzung der möglichen Auswirkungen von Batterien und Akkumulatoren auf Umwelt und Gesundheit durch die potenziell enthaltenen gefährlichen Substanzen eine wesentliche Rolle. Bevor Elektro- und Elektronikgeräte (EEE) in den Entsorgungskreislauf oder in Abfallsammelanlagen gelangen, muss der Endverbraucher von Geräten, die Batterien und/oder Akkumulatoren enthalten, diese Batterien und Akkumulatoren zur getrennten Sammlung entfernen.



Das Symbol auf dem Produkt oder der Verpackung bedeutet, dass das Produkt einer getrennten Erfassung für elektrische und elektronische Geräte zugeführt werden muss und nicht über den normalen Haushaltsabfall entsorgt werden darf. Bitte entnehmen Sie Batterien und Lampen, die nicht vom Gerät umschlossen sind, vor der Abgabe aus dem Gerät und entsorgen diese über die offiziellen Sammelstellen für Batterien und Lampen.

Beim Kauf eines neuen Elektrogerätes können Sie beim Verkäufer ein gleichartiges Altgerät unentgeltlich zurückgeben. Elektrogeräte mit einer Kantenlänge von maximal 25 cm können unentgeltlich bei Verkäufern von Elektro- und Elektronikgeräten mit einer Verkaufsfläche von mindestens 400 m² sowie größeren Supermärkten abgegeben werden, ohne dass ein Neugerät erworben werden muss. Größere Elektrogeräte können kostenlos bei kommunalen Wertstoffhöfen abgegeben werden.

Durch die korrekte Entsorgung tragen Sie dazu bei, negative Auswirkungen auf die Umwelt und die menschliche Gesundheit zu vermeiden, die durch unsachgemäße Erfassung und Behandlung von Elektroaltgeräten entstehen können.

Bitte löschen Sie sämtliche personenbezogenen Daten auf dem Gerät, bevor Sie es entsorgen.

Für weitere Informationen kontaktieren sie bitte Ihre Kommunalverwaltung, Ihren örtlichen Abfallentsorger oder das Geschäft, in dem Sie das Produkt erworben haben.

Sicherheitswarnung



Wichtig!
Vor der Benutzung das Benutzerhandbuch lesen.



WARNUNG!
Sorgfältig durchlesen und zum Nachschlagen aufbewahren.



Warnung!
Heiße Oberfläche.



Nicht der Feuchtigkeit aussetzen



Scheinwerfer



SMPS mit kurzschlussfestem Sicherheitstrenntransformator (inhärent oder nicht inhärent)



SMPS (Schaltnetzteil)



Feinsicherungseinsatz mit Zeitverzögerung, wobei X das Symbol für die Zeit/Stromcharakteristik gemäß IEC 60127 ist



WARNUNG!
Nur zum Gebrauch in Innenräumen (das Ladegerät).



ACHTUNG
Gerät der Schutzklasse II



Warnung!
Scharfe Kanten.



Das Ladegerät ist für die Verwendung in Höhenlagen bis zu 5000 m bestimmt.



Blinker



Gleichstrom



Wechselstrom



Polarität des Ladegerätausgangs, Mitte positiv

WARNUNG

1. Das Ladegerät ist nur für den Gebrauch in Innenräumen vorgesehen. Setzen Sie es nicht Regen oder Schnee aus.
2. Verwenden Sie es nicht für nicht wiederaufladbare Akkus, da diese überhitzen und kaputt gehen können.
3. Andere Akkutypen können bei unsachgemäßer Verwendung platzen und Verletzungen und Schäden verursachen.
4. Akkus dürfen nicht verbrannt, zerlegt oder kurzgeschlossen werden.
5. Wenn die Leistung des Akkus erheblich nachlässt, ist Zeit, die Akkus zu ersetzen.
6. Bewahren Sie das Ladegerät an einem kühlen und trockenen Ort auf, wenn Sie es nicht verwenden.
7. Trennen Sie die Stromversorgung, bevor Sie die Verbindungen zum Akku herstellen oder trennen.
8. Explosive Gase. Vermeiden Sie Flammen und Funken. Sorgen Sie während des Ladevorgangs für ausreichende Belüftung.
9. Während des Ladevorgangs muss der Akku an einem gut belüfteten Ort platziert werden.
10. Bewahren Sie Elektrogeräte außerhalb der Reichweite von Kindern oder gebrechlichen Personen auf. Lassen Sie sie die Geräte nicht ohne Aufsicht benutzen.
11. Dieses Gerät ist nicht für die Verwendung durch Personen (einschließlich Kinder) mit eingeschränkten körperlichen, sensorischen oder geistigen Fähigkeiten oder mangelnder Erfahrung und Kenntnis bestimmt. Solange sie von einer für ihre Sicherheit verantwortlichen Person beaufsichtigt werden oder Anweisungen zur Verwendung des Geräts erhalten.
12. Dieses Gerät kann von Kindern ab 8 Jahren und darüber sowie von Personen mit eingeschränkten körperlichen, sensorischen oder geistigen Fähigkeiten oder mangelnder Erfahrung und Kenntnis verwendet werden, wenn sie beaufsichtigt oder in die sichere Verwendung des Geräts eingewiesen werden und die damit verbundenen Gefahren verstehen. Kinder dürfen nicht mit dem Gerät spielen. Reinigung und Benutzerwartung dürfen nicht von Kindern ohne Aufsicht durchgeführt werden.
13. Das externe flexible Kabel oder Kabel dieses Transformators kann nicht ersetzt werden. Wenn das Kabel beschädigt ist, muss der Transformator verschrottet werden.
14. Wenn das Netzkabel beschädigt ist, muss es durch ein spezielles Kabel oder eine spezielle Baugruppe ersetzt werden, die beim Hersteller oder seinem Kundendienst erhältlich sind.

Anweisungen zum Aufladen

1. Schließen Sie das Ladegerät direkt an eine Stromquelle an. Verwenden Sie keine Verlängerungskabel.
2. Das Ladegerät kann nur Lithium-Ionen-Akkus aufladen.
3. Vermeiden Sie eine umgekehrte Aufladung.
4. Die Ladegeräte sind nicht zum Laden von Auto-Akkus geeignet.

 abnehmbares Netzteil

WARNUNG

1. Sekundärzellen oder Akkus nicht zerlegen, öffnen oder zerkleinern.
2. Bewahren Sie Akkus außerhalb der Reichweite von Kindern auf. Die Verwendung von Akkus durch Kinder sollte beaufsichtigt werden. Bewahren Sie insbesondere kleine Akkus außerhalb der Reichweite von Kleinkindern auf.
3. Suchen Sie sofort einen Arzt auf, wenn eine Knopfzelle oder Akku verschluckt wurde.
4. Setzen Sie die Zellen oder Batterien nicht der Hitze oder dem Feuer aus. Vermeiden Sie die Lagerung in direktem Sonnenlicht.
5. Schließen Sie eine Knopfzelle oder einen Akku nicht kurz. Lagern Sie Knopfzellen oder Akkus nicht willkürlich in einer Kiste oder Schublade, wo sie sich gegenseitig kurzschließen oder durch andere Metallgegenstände kurzgeschlossen werden könnten.
6. Nehmen Sie eine Knopfzelle oder einen Akku erst dann aus der Originalverpackung, wenn Sie sie verwenden möchten.
7. Setzen Sie Zellen oder Akkus keinen mechanischen Erschütterungen aus.
8. Falls eine Knopfzelle ausläuft, darf die Flüssigkeit nicht mit der Haut oder den Augen in Berührung kommen, sondern muss mit reichlich Wasser abgewaschen und ein Arzt aufgesucht werden.
9. Verwenden Sie keine anderen Ladegeräte als die, die speziell für das Gerät vorgesehen sind.
10. Beachten Sie die Plus- (+) und Minus-Markierungen (-) an der Zelle, der Batterie und dem Gerät und achten Sie darauf, dass sie ordnungsgemäß verwendet werden.
11. Verwenden Sie keine Knopfzellen oder Akkus, die nicht für die Verwendung mit dem Gerät vorgesehen sind.
12. Mischen Sie keine Knopfzellen unterschiedlicher Herstellung, Kapazität, Größe oder Typs in einem Gerät.
13. Kaufen Sie immer den vom Gerätehersteller für das Gerät empfohlenen Akku.
14. Halten Sie Knopfzellen und Akkus sauber und trocken.
15. Wischen Sie die Knopfzellen- oder Akkupole mit einem sauberen, trockenen Tuch ab, wenn sie verschmutzt sind.
16. Sekundärzellen und Akkus müssen vor der Verwendung aufgeladen werden. Verwenden Sie immer das richtige Ladegerät und lesen Sie die Anweisungen zum korrekten Laden in den Anweisungen des Herstellers oder im Betriebsanleitung nach.
17. Lassen Sie einen Akku nicht über einen längeren Zeitraum aufgeladen, wenn er nicht verwendet wird.
18. Nach längerer Lagerung kann es erforderlich sein, die Knopfzellen oder Akkus mehrmals zu laden und zu entladen, um die maximale Leistung zu erzielen.
19. Bewahren Sie die Original-Produktliteratur zum späteren Nachschlagen auf.
20. Benutzen Sie die Knopfzelle oder Akku nur für den vorgesehenen Verwendungszweck.
21. Wenn möglich, nehmen Sie den Akku aus dem Gerät, wenn es nicht verwendet wird.
22. Entsorgen Sie den Akku ordnungsgemäß.

Garantieübersicht

Dieses Produkt beinhaltet eine eingeschränkte Garantie, die Herstellungsfehler für einen bestimmten Zeitraum ab dem Kaufdatum abdeckt. Die Garantiebedingungen, -dauer und die Verfügbarkeit von Dienstleistungen können je nach Land oder Region variieren. Die Garantie deckt keine Schäden ab, die durch unsachgemäße Verwendung, Unfälle oder unautorisierte Reparaturen verursacht wurden. Für detaillierte Bedingungen und lokale Unterstützung besuchen Sie bitte <https://service.naveetech.com>.

1. Istruzioni di sicurezza

Traduzione dell'avviso originale

IMPORTANTE! Leggere attentamente prima di utilizzare il prodotto e conservarlo per futuri riferimenti.

Per l'e-manual dettagliato, visitare www.naveetech.com

- Questo apparecchio non è destinato all'uso da parte di persone (compresi i bambini) con ridotte capacità fisiche, sensoriali o mentali o prive di esperienza e conoscenza, a meno che non siano sotto la supervisione o siano state istruite sull'uso dell'apparecchio da una persona responsabile della loro sicurezza. I bambini devono essere sorvegliati per assicurarsi che non giochino con l'apparecchio.
- Questo apparecchio è destinato ai guidatori di età superiore a 8 anni e persone con ridotte capacità fisiche, sensoriali o mentali o con mancanza di esperienza e conoscenza solo se sotto la supervisione o sono state istruite sull'uso dell'apparecchio in modo sicuro e hanno compreso i rischi coinvolti. I bambini non devono giocare con l'apparecchio. La pulizia e la manutenzione da parte dell'utente non devono essere effettuate da bambini senza supervisione da parte di un adulto.
- L'apparecchio deve essere utilizzato esclusivamente con l'alimentatore in dotazione con l'apparecchio.
- Prima di mettersi alla guida, indossare sempre il casco, protezioni per mani e polsi, ginocchiere, gomitiere e altri dispositivi di protezioni.
- Il monopattino deve essere utilizzato da una sola persona. Obbligo di indossare sempre le scarpe. Non deviare l'uso del veicolo. Questo prodotto è destinato esclusivamente all'uso personale e non è destinato all'uso acrobatico o non conforme al codice stradale.
- Il prodotto è consigliato per i guidatori di età superiore ai 16 anni e di età inferiore ai 50 anni. Le seguenti persone non sono adatte alla guida del presente prodotto: (1) persone sotto l'effetto di alcol o droghe; (2) persone con malattie o condizioni mediche che impediscono attività fisica intensa; (3) persone con scarso equilibrio o capacità motorie compromesse; (4) persone il cui peso supera il limite consentito; (5) donne in gravidanza; (6) persone con problemi visivi o uditivi.
- Rispettare le leggi e le normative locali durante la guida di questo prodotto. Non guidare dove proibito dalle leggi locali.
- Nei Paesi o regioni in cui non esistono attualmente standard o normative nazionali riguardanti i monopattini elettrici, è obbligatorio seguire rigorosamente le istruzioni di sicurezza riportate in questo manuale durante l'utilizzo del prodotto. Il mancato rispetto può comportare rischi per la sicurezza dei bambini. SPACEWALKER PTE. LTD. non potrà essere ritenuta responsabile, né direttamente né congiuntamente, per eventuali lesioni personali, danni materiali, incidenti, controversie legali o altri effetti negativi derivanti da un uso improprio o non conforme alle indicazioni contenute in questo manuale.
- Non circolare nelle corsie di flusso del traffico o nelle aree residenziali in cui sono ammessi sia i veicoli che i pedoni. Quando si passa in un luogo designato per i pedoni che hanno diritto di precedenza, come le strisce pedonali, Scendere a piedi con il monopattino.
- I preparativi richiesti per l'utilizzo di uesto prodotto comprendono: assicurarsi che il sistema di sterzaggio sia regolato correttamente, che tutti gli accessori connessi (come il meccanismo di piegamento) siano correttamente serrati e non danneggiati e che i freni e le ruote siano in buone condizioni.
- Eseguire un'ispezione di base del monopattino elettrico prima di ogni corsa. Se si verificano condizioni anomale come parti allentate, avvisi di batteria scarica, pneumatici sgonfi o usura eccessiva degli pneumatici, suoni strani, malfunzionamenti e altre condizioni anomale, interrompere immediatamente la guida e chiamare un supporto professionale.
- Prendersi il tempo per imparare le basi della pratica per evitare che accadano gravi incidenti nei primi mesi.

Informazioni relative alla pratica e ad un utilizzo sicuro si possono trovare sul sito internet: www.naveetech.com

- Garantire una visibilità chiara e assicurarsi di essere ben visibili agli altri durante la guida.
- Non guidare in caso di maltempo, scarsa visibilità o dopo uno sforzo fisico intenso.
- Accendere i fari e rallentare quando si guida col buio.
- Assicurarsi che il cavalletto sia posizionato su una superficie piana e che il monopattino sia sufficientemente stabile da stare in piedi da solo prima di lasciarlo.
- Questo monopattino elettrico è un dispositivo per il tempo libero. Tuttavia, quando si entra in un'area pubblica, sarà considerato un mezzo di trasporto e soggetto a possibili rischi per la sicurezza di tutti i mezzi di trasporto. Guidare in stretta conformità con le istruzioni in questo manuale proteggerà te e gli altri nella massima misura.
- L'utente deve verificare i limiti di utilizzo in conformità con le normative locali. Guidare il monopattino su strade o aree consentite dalle normative e leggi locali e parcheggiarlo nelle aree consentite. Se i regolamenti e le leggi locali prevedono disposizioni diverse sulla velocità massima, prevarranno i regolamenti e le leggi locali. Rispettare e seguire le norme sulla sicurezza stradale e sui veicoli.
- Rispettare il diritto di passaggio dei pedoni. Cercare di non spaventarli durante la guida, specialmente i bambini. Quando si guida da dietro i pedoni, suonare il campanello per avvisarli e rallentare il monopattino per passare alla loro sinistra e mantenere la destra a bassa velocità mentre li si supera (applicabile ai paesi in cui i veicoli guidano sul lato destro). Quando si superano dei pedoni, mantenere la velocità più bassa o scendere dal veicolo.
- In ogni caso, anticipare la tua traiettoria e la tua velocità rispettando il codice della strada, il codice del marciapiede e i più vulnerabili. Avisare della presenza quando ci si avvicina a un pedone o a un ciclista quando non è possibile essere visti o sentiti. Attraversare i passaggi protetti camminando. Evitare le zone ad alto traffico o le zone sovraffollate.
- La guida ad alta velocità o non adeguata alla situazione (cattive condizioni atmosferiche, cattive condizioni della superficie o simili) può comportare una potenziale perdita di stabilità o di controllo. Per ridurre qualsiasi rischio, è necessario seguire tutte le istruzioni in questo manuale. Prestare attenzione durante il montaggio e lo smontaggio del prodotto, il quale potrebbe cadere e causare lesioni.
- Il traffico in città presenta molti ostacoli da attraversare come marciapiedi o gradini. Si raccomanda di evitare salti ed altri ostacoli. È importante anticipare e adattare la traiettoria e la velocità a quelle di un pedone prima di attraversare questi ostacoli. Si raccomanda inoltre di uscire dal veicolo quando questi ostacoli diventano pericolosi a causa della loro forma, altezza o slittamento.
- Non prestare il monopattino a chi non ne conosca il funzionamento. Prima di prestare il monopattino elettrico ad altri, assicurarsi che il guidatore abbia letto questo manuale di istruzioni, guardato il video di istruzioni e compreso le operazioni di base. Ricordare ai guidatori di indossare correttamente le protezioni di sicurezza per garantire la loro sicurezza.
- Contattare il proprio venditore per organizzare un corso di formazione appropriato.
- In ogni caso, prendersi cura di se stessi e degli altri.
- Qualsiasi carico attaccato al manubrio influirà sulla stabilità del veicolo.
- Non toccare l'impianto frenante, potrebbe causare lesioni a causa degli spigoli vivi. Il freno potrebbe surriscaldarsi durante l'uso. Non toccare dopo l'uso.
- Il livello di pressione sonora di emissione ponderato-A è inferiore a 70 dB(A).
- Per una migliore esperienza di guida, si consiglia di effettuare una regolare manutenzione del prodotto.
- Eliminare gli spigoli vivi causati dall'uso.
- Gli accessori ed eventuali articoli aggiuntivi non approvati dal produttore non devono essere utilizzati.
- Una regolare manutenzione del veicolo rappresenta un fattore di sicurezza.

- I dadi autoserranti così come gli altri dispositivi di fissaggio autoserranti possono perdere la loro efficacia e potrebbero dover essere nuovamente serrati.
- Controllare regolarmente il serraggio dei vari elementi bullonati, in particolare i perni delle ruote, il sistema di piegatura, l'impianto sterzante e l'albero del freno.
- Controllare regolarmente il serraggio dei vari elementi bullonati, in particolare i perni delle ruote, il sistema di piegatura, l'impianto sterzante e l'albero del freno.
- Non apportare alcuna modifica che non sia annotata nelle istruzioni.
- Assicurarsi che il monopattino sia spento durante il trasporto e possibilmente riposto nella sua confezione originale.
- Per evitare lesioni accidentali come scosse elettriche e incendi causati da un uso improprio, leggere attentamente le istruzioni prima dell'uso e conservarle correttamente per riferimenti futuri.
- Utilizzare questo prodotto secondo le istruzioni nel Manuale d'Uso. Gli utenti sono responsabili per qualsiasi perdita o danno derivante da un uso improprio di questo prodotto.
- Durante la ricarica, spegnere il veicolo o passare a una modalità non operativa.
- Non caricare se la porta di ricarica o il cavo di ricarica sono bagnati. Leggere attentamente questo manuale prima di ricaricare.
- Non ricaricare il monopattino a una temperatura ambiente superiore a 40° C o inferiore a 0° C.
- Mantenere una distanza di sicurezza quando il monopattino viene usato su una strada pianeggiante/senza pendenza. Lo spazio di frenata aumenterà in caso di pioggia.
- L'assorbimento degli urti di questo prodotto non è regolabile (se applicabile).
- L'apparecchiatura non è progettata per l'uso ad altitudini superiori a 2.000 m sul livello del mare.
- L'apparecchiatura deve essere scollegata dalla fonte di alimentazione durante la manutenzione e durante la sostituzione di parti.
- Il cavo flessibile esterno o il cavo di questo trasformatore (caricatore) non può essere sostituito; se il cavo è danneggiato, il trasformatore (caricatore) deve essere smaltito.
- Se il cavo flessibile esterno oppure il filo dell'alimentatore è danneggiato, deve essere sostituito dal produttore oppure dall'agente incaricato della manutenzione o da una persona altrettanto qualificata per evitare pericoli.
- Se il cavo di alimentazione è danneggiato, deve essere sostituito dal produttore, da un suo agente incaricato per la manutenzione o da persone altrettanto qualificate al fine di evitare pericoli.
- Questo prodotto contiene batterie che possono essere sostituite solo da tecnici qualificati o dal servizio post-vendita.
- Questo apparecchio contiene batterie sostituibili esclusivamente da personale qualificato.
- **ATTENZIONE:** Per la ricarica della batteria, utilizzare esclusivamente l'unità di alimentazione rimovibile fornita con questo apparecchio. Non utilizzare un alimentatore di qualsiasi altro prodotto. Mantenere una distanza di sicurezza dai combustibili circostanti durante la ricarica.
- **ATTENZIONE:** non utilizzare batterie o caricabatteria di terze parti. Utilizzare solo con l'unità di alimentazione FY1505462450.
- **ATTENZIONE!** Tenere la copertura di plastica lontano dalla portata dei bambini per evitare il soffocamento.

- **AVVERTENZA!** Non utilizzare mai il prodotto vicino a una fonte d'acqua.
- **AVVERTENZA!** Smettere di utilizzare il prodotto se danneggiato.
- **ATTENZIONE!** Come con qualsiasi componente meccanica, un veicolo è soggetto a forti sollecitazioni e usura. I vari materiali e componenti possono reagire in modo diverso all'usura o alla fatica. Se viene superata la vita utile prevista per un componente, questo potrebbe rompersi improvvisamente, rischiando quindi di causare lesioni all'utente. Crepe, graffi e scolorimento nelle aree soggette a forti sollecitazioni indicano che il componente ha superato la sua vita utile, quindi contattare un riparatore autorizzato o specializzato.

Durante l'uso, prestare attenzione al rischio di schiacciamento delle mani e ai punti di pizzicamento nelle seguenti posizioni:

1. Tra il manubrio e l'asta quando si installa il manubrio.
2. Aperture sulle ruote.
3. Tra il parafango anteriore e la pedana.
4. Tra la leva di sgancio rapido e il blocco della leva di sgancio rapido e tra il giunto pieghevole e l'asta durante il ripiegamento o l'apertura.
5. Tra i parafanghi e le ruote.

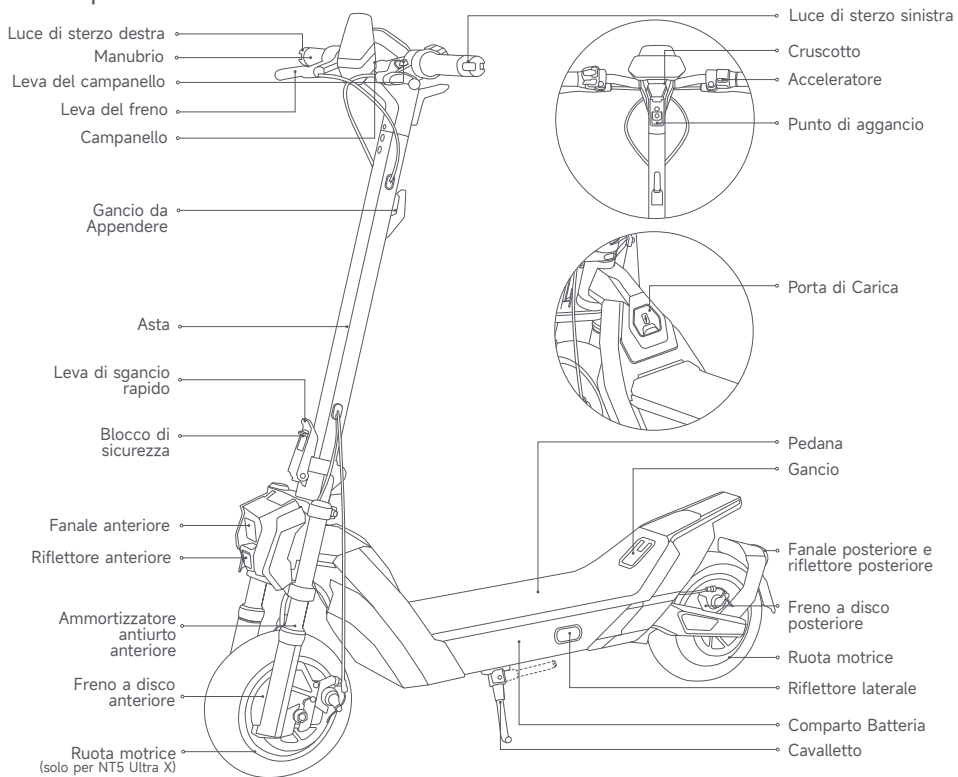
Scatola	Manuale	Borsa	Pellicola	Neto	Etichetta	Targhetta	Fibbia
PAP 20	PAP 22	LDPE 4	PET 1	PS 6	PET 1	PAP 21	PP 5
Carta	Carta	Plastica	Plastica	Plastica	Plastica	Carta	Plastica

RACCOLTA DIFFERENZIATA

Verifica le disposizioni del tuo Comune.
Separa le componenti e conferiscile in modo corretto.

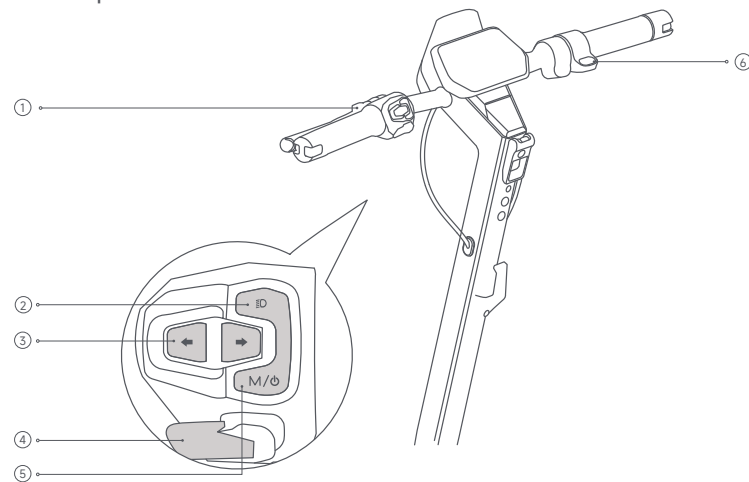
2. Panoramica del prodotto

Monopattino elettrico

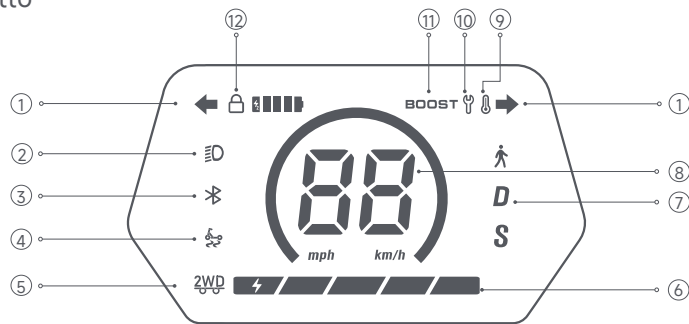


*Le immagini mostrate sono solo a scopo illustrativo. Il prodotto reale può variare.

Funzioni dei pulsanti sul manubrio



- ① Leva del campanello: Premere per suonare il campanello.
- ② Pulsante della luce: Con il monopattino acceso, premere per accendere o spegnere il faro anteriore e posteriore.
- ③ Pulsanti delle frecce: Premere per attivare la freccia sinistra o destra. L'indicatore corrispondente e il segnale sul display inizieranno a lampeggiare. Premere di nuovo per spegnere.
- ④ Pulsante BOOST: Premere per attivare la funzione BOOST (valida solo in modalità S), quindi premere di nuovo per uscire.
Nota: Si consiglia di utilizzarla solo dopo aver acquisito il controllo di base.
- ⑤ Pulsante di accensione / Cambio modalità: Premere per accendere. Tenere premuto per 2 secondi per spegnere. Una volta acceso, premere due volte per cambiare modalità di guida.
- ⑥ Acceleratore: Premere per accelerare (funziona se la velocità iniziale supera i 3 km/h).
Nota: La velocità di avvio può essere regolata tramite l'app NAVEE.



- ① Indicatore di svolta sinistra/destra: se l'icona lampeggia, indica che l'indicatore corrispondente è attivo.
- ② Luce: Indica che il faro anteriore è acceso.
- ③ Bluetooth: L'icona Bluetooth rimane accesa quando il monopattino è collegato correttamente al dispositivo mobile.
- ④ TCS (Sistema di controllo della trazione): Quando attivata, la funzione TCS aiuta a prevenire lo slittamento eccessivo delle ruote e migliora la stabilità generale durante la partenza, l'accelerazione o la sterzata. È possibile attivare o disattivare il TCS tramite l'app NAVEE.
- ⑤ Trazione integrale (solo NT5 Ultra X): Indica che la modalità a due ruote motrici è attiva. Tenere premuto il pulsante BOOST per 3 secondi per attivarla o disattivarla, oppure gestirla tramite l'app NAVEE.
- ⑥ Livello della batteria: Il livello della batteria è indicato da 5 tacche. Ogni tacca rappresenta circa il 20% della carica totale.
- ⑦ Modalità di guida: indica la Modalità camminata — velocità massima: 6 km/h. indica la Modalità standard. indica la Modalità sport.
- ⑧ Tachimetro: Visualizza la velocità attuale di guida. Mostra i codici di errore in caso di guasto e il livello della batteria durante la ricarica.
- ⑨ Avviso di temperatura: L'icona del termometro si illumina quando la temperatura della batteria è troppo alta o troppo bassa. Attendere che la temperatura torni entro i limiti normali prima di utilizzare o caricare il monopattino.
- ⑩ Indicatore di errore: Un'icona fissa a forma di chiave inglese rossa indica un guasto nel sistema.
- ⑪ Modalità BOOST: Indica che la funzione di potenziamento è attivata.
- ⑫ Blocco: Questa icona si illumina quando il monopattino è bloccato. È possibile bloccare o sbloccare il monopattino tramite l'app NAVEE.

3. Manutenzione e Cura

Pulizia

Prima di pulire il tuo scooter:

Spegni l'alimentazione. Scollega il cavo di ricarica. Assicurati che il coperchio del connettore di ricarica sia completamente chiuso.

Per pulire:

Pulisci lo scooter con un panno morbido e umido. Per lo sporco ostinato, usa una spazzola morbida (es. uno spazzolino da denti). Termina asciugando tutte le superfici con un panno pulito e asciutto.

Evita quanto segue:

- Utilizzare acqua ad alta pressione (potrebbe danneggiare i componenti interni).
- Usare detergenti corrosivi (possono danneggiare le parti interne ed esterne).

Cura della batteria

Per massimizzare la durata della batteria:

Evita di scaricare completamente la batteria. Ricaricala regolarmente.

Mantieni sempre le temperature di utilizzo, ricarica e conservazione entro i limiti specificati nelle specifiche tecniche.

Se non utilizzi lo scooter per un lungo periodo, ricaricarlo ogni 60 giorni per evitare danni permanenti alla batteria. Uno scooter completamente carico può rimanere in standby per circa 120–180 giorni.

Avvertenze sulla batteria:

- Usa solo il caricabatterie e la batteria originali forniti con il tuo scooter.
- Non usare mai batterie o caricabatterie di altri modelli o marche.
- Non caricare né utilizzare lo scooter se la batteria è danneggiata o è stata esposta all'acqua.
- Non tentare di rimuovere la batteria da solo — è necessaria l'assistenza di un tecnico qualificato.

Conservazione

Se prevedi di conservare lo scooter a lungo:

Carica completamente la batteria. Spegni lo scooter. Conserva in un luogo fresco e asciutto, lontano dalla luce solare e dall'umidità.

Se disponibile, utilizza l'imballaggio originale per il trasporto.

Promemoria per la conservazione:

- Tieni lo scooter lontano da materiali infiammabili.
- Evita di conservarlo alla luce diretta del sole o in ambienti molto umidi.
- Questo prodotto contiene una batteria al litio. Rispetta le normative locali su trasporto e conservazione.

Avviso ambientale

Il monopattino contiene una batteria ricaricabile agli ioni di litio e lo smaltimento improprio di queste batterie causerà danni all'ambiente. Seguire i seguenti passaggi per rimuovere le batterie prima di smaltire il monopattino e smaltire le batterie correttamente:

1. Prima di rimuovere la batteria, assicurarsi che il monopattino sia spento e che la batteria sia completamente scarica. Svitare le viti che fissano i componenti in plastica, il cavalletto, il coperchio del vano batteria e il coperchio del controller, quindi rimuovere con cautela ciascun componente.
2. Scollegare il connettore della batteria, quindi rimuovere le batterie. Non danneggiare la custodia della batteria per evitare qualsiasi rischio di lesioni. Non utilizzare la batteria se è danneggiata, ha uno strano odore, emette fumo o si surriscalda. Tenere una batteria che perde lontano da altri oggetti.
3. Riciclare la batteria rimossa presso un impianto certificato per il riciclo delle batterie.

Programma di manutenzione del monopattino (consigliato):

La manutenzione regolare del monopattino può aiutare a mantenere il monopattino in ordine e in buone condizioni, evitare rischi per la sicurezza, ridurre al minimo i guasti, rallentare il deterioramento del monopattino e prolungarne la vita utile.

Elemento	Oggetto di ispezione	Azioni	Ogni mese	Ogni 3 mesi	Ogni 500 km/ 6 mesi	Ogni 1000 km/ 1 anno	Ogni 10000 km/ 3 anni
Pneumatici	Usura del battistrada	Controllare se il pneumatico è incrinato, deformato, usurato, ecc.			✓	✓	✓
Viti	Viti di montaggio del manubrio	Serrare le vite che collega il gruppo manubrio con il gruppo asse (con la coppia consigliata di $4,5 \pm 0,5 \text{ N}\cdot\text{m}$).		✓	✓	✓	✓
		Serrare la vite dell'acceleratore (con la coppia consigliata di $2,5 \pm 0,1 \text{ N}\cdot\text{m}$).					
		Serrare la vite della leva del freno (con la coppia consigliata di $5,5 \pm 0,2 \text{ N}\cdot\text{m}$).				✓	✓
	Pinza del freno a disco	Serrare la vite che fissa la pinza del freno a disco (con la coppia raccomandata di $7,0 \pm 0,5 \text{ N}\cdot\text{m}$).			✓	✓	✓

Elemento	Oggetto di ispezione	Azioni	Ogni mese	Ogni 3 mesi	Ogni 500 km/ 6 mesi	Ogni 1000 km/ 1 anno	Ogni 10000 km/ 3 anni
Funzioni	Regolazione del freno	Prima della regolazione, procurarsi una chiave da 4 mm (preparata dall'utente) e assicurarsi che il monopattino sia spento e non in carica. Durante la regolazione, tirare l'estremità del cavo del freno per rendere stringere il cavo. Se il freno è troppo stretto, usare l'attrezzo per allentare la vite girandola in senso antiorario, tirare il bilanciante del freno a disco verso l'esterno e poi stringere la vite. Se il freno è troppo lento, usare l'attrezzo per allentare la vite girandola in senso antiorario, spingere il bilanciante del freno a disco in avanti e poi stringere la vite.			✓	✓	✓
	Carica	Caricare il monopattino ad una temperatura adeguata. La spia sul caricabatteria è rossa quando il monopattino è in carica, e diventa verde quando il monopattino è completamente carico. Il pannello di controllo mostrerà a sua volta lo stato di carica durante la carica.			✓	✓	✓
	Sterzo	Ruotare il manubrio di 60° a sinistra e a destra per assicurarsi che l'angolo di sterzata sia corretto e che lo sterzo sia privo di resistenze e ristagni.				✓	✓
Componenti importanti	Assemblaggio della batteria	Caricare completamente il monopattino prima di lasciarlo inutilizzato per lungo tempo, accenderlo e caricarlo ogni 60 giorni.					✓

Ruote, pastiglie dei freni e altre parti vulnerabili usurate o danneggiate devono essere sostituite, contattare tempestivamente il servizio post-vendita.

Per trovare un centro di assistenza certificato, contattaci all'indirizzo service@navee.tech o visita il sito <https://www.naveetech.com>.

4. Specifiche tecniche

Prodotto	Nome	Monopattino Elettrico NAVEE				
	Modello	NT5 Max EU	NT5 Max DE	NT5 Max IT	NT5 Max SE	NT5 Max AT
Dimensioni	Veicolo: L × W × H (mm) ^[1]	1250 × 625 × 1355				
	Dopo il ripiegamento: L × W × H (mm)	1250 × 625 × 645				
Peso netto	Peso netto veicolo (kg)	33,5				
Guidatore	Intervallo di carico (kg)	25-150				
	Età (anni)	16-50				
	Altezza (cm)	120-200				
Monopattino elettrico assemblato	Velocità max (km/h)	25	20	25	20	25
	Autonomia max (km) ^[2]	85				
	Autonomia alla massima velocità (km) ^[3]	53	75	53	75	53
	Angolo di pendenza max (%)	28				
	Superfici adatte	Strada cemento o asfalto con dislivelli inferiori a 1 cm o fessure di ampiezza inferiore a 3 cm.				
	Temperatura di esercizio (°C)	-10 a 40				
	Temperatura di conservazione (°C)	-20 a 45				
	Grado IP	IPX6				
	Tempo di ricarica (h)	ca. 5-6				
	Batteria	Modello	T2545-BD1A			
Tensione nominale (VCC)		46,8				
Tensione di ricarica max (VCC)		54,6				
Energia nominale (Wh)		561,6				
Sistema di gestione della batteria intelligente		Protezione da surriscaldamento, cortocircuito, sovraccorrente, sovraccarico e sovraccarico				
Gamma di temperatura di ricarica normale (°C)		0 a 40				
Capacità nominale (Ah)		12				
Ruota motrice		Potenza nominale (kW; W)	0,7; 700	0,5; 500	0,5; 500	0,25; 250
Caricabatteria	Modello ^[4]	FY1505462450				
	Potenza in Uscita (kW ; W)	0,133; 133,77				
	Ingresso	100-240 V- 50/60 Hz				
	Uscita nominale (VCC; A)	54,6 ; 2,45				
Gomma	Pneumatici anteriori e posteriori	Pneumatici da 10,5" ad alta aderenza per tutti i terreni				
Bluetooth	Banda di frequenza (s)	2.4000 à 2.4835 GHz				
	Potenza RF max (dBm)	8				

[1] Altezza del veicolo: dal suolo fino alla parte superiore del monopattino.

[2] Autonomia massima: misurata a 25 °C in assenza di vento, con monopattino completamente carico a 15 km/h su superficie piana con 75 kg di carico.

[3] Autonomia alla massima velocità: misurata a 25 °C in assenza di vento, con monopattino completamente carico alla velocità massima su superficie piana con 75 kg di carico.

[4] Per ricaricare la batteria, utilizzare solo il caricabatterie incluso nella confezione.

Prodotto	Nome	Monopattino Elettrico NAVEE				
	Modello	NT5 Ultra X EU	NT5 Ultra X DE	NT5 Ultra X IT	NT5 Ultra X SE	NT5 Ultra X AT
Dimensioni	Veicolo: L × W × H (mm) ^[1]	1250 × 625 × 1355				
	Dopo il ripiegamento: L × W × H (mm)	1250 × 625 × 645				
Peso netto	Peso netto veicolo (kg)	36,5				
Guidatore	Intervallo di carico (kg)	25-150				
	Età (anni)	16-50				
	Altezza (cm)	120-200				
Monopattino elettrico assemblato	Velocità max (km/h)	25	20	20	20	25
	Autonomia max (km) ^[2]	90				
	Autonomia alla massima velocità (km) ^[3]	66	78	78	78	66
	Angolo di pendenza max (%)	45				
	Superfici adatte	Strada cemento o asfalto con dislivelli inferiori a 1 cm o fessure di ampiezza inferiore a 3 cm.				
	Temperatura di esercizio (°C)	-10 a 40				
	Temperatura di conservazione (°C)	-20 a 45				
	Grado IP	IPX6				
	Tempo di ricarica (h)	ca. 7-8				
	Batteria	Modello	T2443-BD6A			
Tensione nominale (VCC)		46,8				
Tensione di ricarica max (VCC)		54,6				
Energia nominale (Wh)		898,56				
Sistema di gestione della batteria intelligente		Protezione da surriscaldamento, cortocircuito, sovraccorrente, sovraccarico e sovraccarico				
Gamma di temperatura di ricarica normale (°C)		0 a 40				
Capacità nominale (Ah)		19,2				
Ruota motrice	Potenza nominale (kW; W)	0,5 × 2; 500 × 2	0,25 × 2; 250 × 2	0,25 × 2; 250 × 2	0,125 × 2; 125 × 2	0,3 × 2; 300 × 2
	Modello ^[4]	FY1505462450				
Caricabatteria	Potenza in Uscita (kW ; W)	0,133; 133,77				
	Ingresso	100-240 V- 50/60 Hz				
	Uscita nominale (VCC; A)	54,6 ; 2,45				
	Gomma	Pneumatici anteriori e posteriori	Pneumatici da 10,5" ad alta aderenza per tutti i terreni			
Bluetooth	Banda di frequenza (s)	2.4000 à 2.4835 GHz				
	Potenza RF max (dBm)	8				

[1] Altezza del veicolo: dal suolo fino alla parte superiore del monopattino.

[2] Autonomia massima: misurata a 25 °C in assenza di vento, con monopattino completamente carico a 15 km/h su superficie piana con 75 kg di carico.

[3] Autonomia alla massima velocità: misurata a 25 °C in assenza di vento, con monopattino completamente carico alla velocità massima su superficie piana con 75 kg di carico.

[4] Per ricaricare la batteria, utilizzare solo il caricabatterie incluso nella confezione.

5. Certificazioni

Direttiva sulla restrizione dell'uso di sostanze pericolose (RoHS)

Questo prodotto di SPACEWALKER PTE. LTD., e le sue parti incluse (cavi, corde, e così via) soddisfa le restrizioni sull'uso di determinate sostanze pericolose nelle apparecchiature elettriche ed elettroniche 2011/65/UE Allegato II e la sua modifica Direttiva (UE) 2015/863.

Dichiarazione di conformità europea



Questo dispositivo è conforme ai requisiti dell'UE relativi alla limitazione dell'esposizione del pubblico ai campi elettromagnetici come misura per la protezione della salute.

Con la presente, SPACEWALKER PTE. LTD. dichiara che l'apparecchiatura radio di tipo: [NT5 Max EU], [NT5 Max DE], [NT5 Max IT], [NT5 Max SE], [NT5 Max AT], [NT5 Ultra X EU], [NT5 Ultra X DE], [NT5 Ultra X IT], [NT5 Ultra X SE] e [NT5 Ultra X AT] è conforme alla Directive 2014/53/EU e 2006/42/EC. Il testo completo della dichiarazione di conformità UE è disponibile al seguente indirizzo Internet: www.naveetech.com

Dichiarazione di conformità per l'Unione europea

Informazioni sul riciclaggio delle batterie per l'Unione europea



Le batterie o il loro imballaggio sono etichettati in conformità al Regolamento (UE) 2023/1542 relativo a pile, accumulatori e rifiuti di pile e accumulatori. La direttiva stabilisce il quadro per la restituzione e il riciclaggio delle batterie e degli accumulatori usati applicabile in tutta l'Unione europea. Questa etichetta si applica a varie batterie per indicare che la batteria non deve essere buttata via, ma piuttosto recuperata al termine della sua vita utile come da istruzioni contenute in questa direttiva.

In conformità al Regolamento (UE) 2023/1542, le batterie e gli accumulatori sono etichettati per indicare che devono essere raccolti separatamente e riciclati a fine vita. L'etichetta sulla batteria può inoltre includere un simbolo chimico per il metallo utilizzato per la batteria (Pb per il piombo, Hg per il mercurio e Cd per il cadmio). Gli utenti di batterie e accumulatori non devono smaltire batterie e accumulatori tra i rifiuti indifferenziati, ma utilizzare il quadro di raccolta disponibile ai clienti per il reso, il riciclaggio e il trattamento di batterie e accumulatori. La partecipazione del cliente è importante per ridurre al minimo i potenziali effetti di batterie e accumulatori sull'ambiente e sulla salute umana dovuti alla potenziale presenza di sostanze pericolose.

Prima di smaltire le apparecchiature elettriche ed elettroniche (AEE) tramite la raccolta rifiuti o in strutture di raccolta rifiuti, l'utente finale di apparecchiature che contengono batterie e/o accumulatori deve rimuovere le batterie e gli accumulatori suddetti, per la raccolta differenziata.

Direttiva sui rifiuti di apparecchiature elettriche ed elettroniche (RAEE)



Tutti i prodotti contrassegnati da questo simbolo sono rifiuti di apparecchiature elettriche ed elettroniche (RAEE in base alla direttiva 2012/19/UE) che non devono essere smaltiti assieme a rifiuti domestici non differenziati. Al contrario, è necessario proteggere l'ambiente e la salute umana consegnando i rifiuti a un punto di raccolta autorizzato al riciclaggio di rifiuti di apparecchiature elettriche ed elettroniche, predisposto dalla pubblica amministrazione o dalle autorità locali. Lo smaltimento e il riciclaggio corretti aiutano a prevenire conseguenze potenzialmente negative per l'ambiente e alla salute umana. Contattare l'installatore o le autorità locali per ulteriori informazioni sulla sede e per i termini e le condizioni di tali punti di raccolta.

Avvertenza di sicurezza



Pericolo!
Leggere il manuale d'uso prima dell'utilizzo.



ATTENZIONE!
Solo per un uso ambienti interni
(per il caricatore).



ATTENZIONE!
Leggere attentamente e conservare per
future consultazioni.



AVVERTENZA
Apparato di classe II



ATTENZIONE
Superficie calda



ATTENZIONE
Bordi taglienti



Non esporre all'umidità



≤ 5000m

Il caricabatterie è destinato all'uso ad
altitudini non superiori a 5000m.



Luce



Indicatori di direzione



SMPS incorpora un trasformatore
di isolamento di sicurezza a prova
di cortocircuito (intrinsecamente o
non intrinsecamente)



Corrente continua



SMPS (Alimentatore a commutazione)



Polarità dell'uscita del
caricatore, positivo centrale



Fusibile miniaturizzato ritardato dove X
indica la caratteristica tempo/corrente
come indicato in IEC 60127

Caricabatteria

ATTENZIONE

1. Il caricabatteria è progettato solo per un uso in ambienti interni. Non esporlo alla pioggia o alla neve.
2. Non utilizzare batterie non ricaricabili poiché potrebbero surriscaldarsi e rompersi.
3. L'uso improprio di altri tipi di batterie potrebbe generare esplosioni causando lesioni personali e danni materiali.
4. Non incenerire, smontare o cortocircuitare le batterie.
5. Se le prestazioni delle batterie diminuiscono sostanzialmente, è giunto il momento di sostituirle.
6. Porre il caricabatteria in un luogo fresco e asciutto quando non in uso.
7. Scollegare l'alimentazione prima di effettuare o interrompere i collegamenti alla batteria.
8. Gas esplosivi. Evitare fiamme e scintille. Fornire un'adeguata ventilazione durante la ricarica.
9. Durante la ricarica, la batteria deve essere collocata in un'area ben ventilata.
10. Tenere gli apparecchi elettrici fuori dalla portata dei bambini o dalle persone con ridotte capacità fisiche e/o mentali e non lasciare che utilizzino gli apparecchi senza alcuna supervisione.
11. Questa apparecchiatura non è destinata all'uso da parte di persone (inclusi i bambini) con capacità fisiche, sensoriali o mentali ridotte, o con mancanza di esperienza e conoscenza, a meno che non siano sotto la supervisione di un adulto o tutore o abbiano ricevuto istruzioni relative all'uso dell'apparecchiatura da una persona responsabile per la loro sicurezza.
12. Questa apparecchiatura può essere utilizzata da bambini di età pari o superiore a 8 anni e da persone con ridotte capacità fisiche, sensoriali o mentali o con mancanza di esperienza e conoscenza solo se sotto la supervisione di un adulto o tutore o se abbiano ricevuto istruzioni relative all'uso dell'apparecchio in modo sicuro e abbiano compreso i rischi connessi. I bambini non devono giocare con l'apparecchiatura. La pulizia e la manutenzione non devono essere eseguite da bambini senza la supervisione di un adulto.
13. Il cavo flessibile esterno o il cordone di questo trasformatore non può essere sostituito; se il cavo è danneggiato il trasformatore dovrà essere smaltito.
14. Se il cavo di alimentazione è danneggiato, deve essere sostituito con un cavo o un gruppo speciale disponibile presso il produttore o il suo agente dedicato all'assistenza.

Istruzioni per la ricarica

1. Collegare il caricabatteria direttamente ad una fonte di alimentazione. Non utilizzare mai prolunghe.
2. Il caricabatteria può caricare solo batterie agli ioni di litio.
3. Evitare la ricarica inversa.
4. I caricabatteria non sono destinati a ricaricare le batterie delle automobili.

 parte componente separabile dell'alimentazione

Batteria

ATTENZIONE

1. Non smontare, aprire o distruggere celle o batterie secondarie.
2. Tenere le batterie fuori dalla portata dei bambini. L'utilizzo della batteria da parte dei bambini deve essere sotto la supervisione di un adulto. Tenere soprattutto le batterie di dimensioni ridotte fuori dalla portata dei bambini piccoli.
3. Consultare immediatamente un medico se una cella o una batteria è stata ingerita.
4. Non esporre le celle o le batterie al calore o al fuoco. Evitare di porre le batterie o le celle alla luce solare diretta in qualsiasi caso.
5. Non cortocircuitare una cella o una batteria. Non porre le celle o le batterie in modo casuale in una scatola o in un cassetto dove potrebbero cortocircuitarsi a vicenda o essere cortocircuitate da altri oggetti metallici.
6. Non rimuovere una cella o una batteria dalla confezione originale fino al momento dell'uso.
7. Non sottoporre le celle o le batterie a shock meccanici.
8. In caso di perdita dalla cella, evitare che il liquido entri in contatto con la pelle o gli occhi. In caso di contatto, lavare l'area interessata con abbondanti quantità di acqua e consultare un medico.
9. Non utilizzare caricabatteria diversi da quelli specificatamente forniti per l'uso con l'apparecchiatura.
10. Osservare i segni più (+) e meno (-) sulla cella, sulla batteria e sull'apparecchiatura e garantire un uso corretto.
11. Non utilizzare celle o batterie non progettate per l'uso con l'apparecchiatura.
12. Non mescolare celle di diversi produttori, capacità, dimensioni o tipi all'interno di un dispositivo.
13. Acquistare sempre la batteria consigliata dal produttore del dispositivo per l'apparecchiatura.
14. Mantenere le celle e le batterie pulite e asciutte.
15. Se si sporcano, pulire la cella o i terminali della batteria con un panno pulito e asciutto.
16. Le celle secondarie e le batterie devono essere ricaricate prima dell'uso. Utilizzare sempre il caricabatteria corretto e fare riferimento alle istruzioni del produttore o al manuale dell'apparecchiatura per le istruzioni di ricarica corrette.
17. Non lasciare la batteria in ricarica per un periodo eccessivamente prolungato quando non viene utilizzata.
18. Dopo un lungo periodo di messa a parte senza utilizzo, potrebbe essere necessario ricaricare e scaricare più volte le celle o le batterie per ottenere le massime prestazioni.
19. Conservare la documentazione originale del prodotto per futuri riferimenti.
20. Utilizzare la cella o la batteria solo per lo scopo per il quale è prevista.
21. Quando possibile, rimuovere la batteria dall'apparecchiatura quando non viene utilizzata.
22. Smaltire correttamente.

Riepilogo della Garanzia

Questo prodotto include una garanzia limitata che copre i difetti di fabbricazione per un periodo specificato dalla data di acquisto. I termini della garanzia, la durata e la disponibilità del servizio possono variare a seconda del paese o della regione. La garanzia non copre i danni causati da uso improprio, incidenti o riparazioni non autorizzate. Per termini dettagliati e supporto locale, si prega di visitare <https://service.naveetech.com>.

1. Instrucciones de seguridad

Traducción del aviso original

¡IMPORTANTE! Lea atentamente antes de utilizar el producto y guárdelo para futuras consultas.

Para obtener un manual electrónico detallado, visite www.naveetech.com

- Este aparato no está destinado a ser utilizado por personas (incluidos los niños) con capacidades físicas, sensoriales o mentales reducidas, o con falta de experiencia y conocimientos, a menos que hayan recibido supervisión o instrucciones sobre el uso del aparato por parte de una persona responsable de su seguridad. Los niños deben ser supervisados para garantizar que no jueguen con el aparato.
- Este aparato está destinado a propietarios mayores de 8 años y a personas con capacidades físicas, sensoriales o mentales reducidas o con falta de experiencia y conocimientos, siempre que se les haya supervisado o instruido sobre el uso del aparato de forma segura y comprendan los peligros que conlleva. Los niños no deben jugar con el aparato. La limpieza y el mantenimiento del usuario no deben ser realizados por los niños sin supervisión.
- El aparato sólo debe utilizarse con la fuente de alimentación suministrada con el aparato.
- Antes de conducir, use cascos, protectores para manos/muñecas, rodilleras, coderas y otros equipos de protección en todo momento.
- El scooter debe ser utilizado por una sola persona. Siempre debe usar calzado. No desvíe el uso del vehículo. Este producto es sólo para uso personal y no está diseñado para uso acrobático o de acrobacia.
- El producto está recomendado para jinetes mayores de 16 años y menores de 50. No están indicadas las siguientes personas para conducir este producto: (1) Personas bajo la influencia de alcohol o drogas; (2) Personas con enfermedades o condiciones médicas que impidan realizar esfuerzos físicos; (3) Personas con deficiencias en el equilibrio o habilidades motoras; (4) Personas cuyo peso exceda el límite del producto; (5) Mujeres embarazadas; (6) Personas con discapacidades visuales o auditivas.
- Cumpla con las leyes y reglamentos locales cuando conduzca este producto. No conduzca donde lo prohíban las leyes locales.
- En países o regiones en los que actualmente no existan normas o regulaciones nacionales sobre patinetes eléctricos, deberá seguir estrictamente las instrucciones de seguridad indicadas en este manual al utilizar el producto. La omisión puede suponer riesgos para la seguridad infantil. SPACEWALKER PTE. LTD. no asumirá responsabilidad directa ni solidaria por lesiones personales, daños materiales, accidentes, litigios legales ni por cualquier otra consecuencia adversa derivada del uso indebido o contrario a las indicaciones de este manual.
- No circule por carriles de tráfico o zonas residenciales en las que estén permitidos tanto los vehículos como los peatones. Cuando pase por un lugar designado para los peatones que tienen derecho a las leyes de derecho de paso, como el paso de peatones, bájese para caminar junto con el scooter.
- Los preparativos antes de usar el producto incluyen: verifique que el sistema de dirección esté correctamente ajustado, los accesorios conectados (como el sistema de plegado) y correctamente apretados y sin daños, y que los frenos y las ruedas estén en buenas condiciones.
- Realice una inspección básica del scooter eléctrico antes de cada viaje. Si hay condiciones anormales como piezas sueltas, alertas de batería baja, neumáticos pinchados o desgaste excesivo de los neumáticos, sonidos extraños, mal funcionamiento y otras condiciones anormales, deje de montar inmediatamente y llame a la asistencia profesional.
- Tómese tu tiempo para aprender los fundamentos de la práctica para evitar cualquier accidente grave que pueda producirse en los primeros meses. Información sobre la práctica y el uso seguro (se puede encontrar en el sitio web: www.naveetech.com)
- Mantenga una visibilidad clara y asegúrese de que los demás le vean mientras circula.
- No conduzca con mal tiempo, baja visibilidad o después de un esfuerzo físico intenso.

- Encienda los faros y disminuya la velocidad cuando conduzca en la oscuridad.
- Asegúrese de que el caballete está colocado sobre una superficie plana y de que el patinete/monopatín sea lo suficientemente estable como para mantenerse en pie por sí solo antes de dejarlo.
- Este scooter eléctrico es un dispositivo de ocio. Sin embargo, al entrar en una zona pública, se considerará un medio de transporte y estará sujeto a los posibles riesgos de seguridad de todos los medios de transporte. Conducir siguiendo estrictamente las instrucciones de este manual le protegerá a usted y a los demás en la mayor medida posible.
- El usuario debe comprobar los límites de uso de acuerdo con la normativa local. Conduzca el scooter por las carreteras o zonas permitidas por las normativas y leyes locales y apárquelo en las zonas permitidas. Si las normativas y leyes locales tienen disposiciones diferentes sobre la velocidad máxima, prevalecerán las normativas y leyes locales. Por favor, respete y siga las normas de seguridad vial y del vehículo.
- Respete el derecho de paso de los peatones. Intente no asustarlos mientras conduce, especialmente a los niños. Cuando circule por detrás de los peatones, toque el timbre para avisarles y reduzca la velocidad de su scooter para pasar por su izquierda, y manténgase a la derecha a baja velocidad mientras los cruza (aplicable a los países donde los vehículos circulan por la derecha). Cuando te cruces con peatones, mantén la velocidad más baja o bájate del vehículo.
- En cualquier caso, anticipe su trayectoria y su velocidad respetando el código de circulación, el de la acera y el de los más vulnerables. Avisa de tu presencia al acercarte a un peatón o ciclista cuando no te vean ni te oigan. Cruce los pasos protegidos mientras camina. Cruce los pasos protegidos mientras camina. Evitar las zonas de mucho tráfico o de gran afluencia.
- Circular a gran velocidad o a una velocidad no apropiada o adecuada a la situación (malas condiciones meteorológicas, mal estado de la superficie o similares) puede provocar una posible pérdida de estabilidad o de control. Para reducir cualquier riesgo, debe seguir todas las instrucciones de este manual. Tenga cuidado al montar y desmontar el producto, ya que podría caerse y causar lesiones.
- El tráfico en la ciudad tiene muchos obstáculos que cruzar, como bordillos o escalones. Se recomienda evitar los saltos de obstáculos. Es importante anticiparse y adaptar su trayectoria y velocidad a las de un peatón antes de cruzar estos obstáculos. También se recomienda bajarse del vehículo cuando estos obstáculos se vuelvan peligrosos por su forma, altura o deslizamiento.
- No preste su scooter a quien no conozca su funcionamiento. Antes de prestar el scooter eléctrico a otras personas, asegúrese de que el conductor ha leído este manual de instrucciones y ha visto el video de instrucciones, y ha comprendido el funcionamiento básico. Recuerde a los conductores que deben llevar correctamente la protección de seguridad para garantizar la seguridad de los conductores.
- Contáctese con tu vendedor para conocer las organizaciones de formación adecuadas.
- En todos los casos, tenga cuidado con usted mismo y con los demás.
- Cualquier carga fijada al manillar afectará a la estabilidad del vehículo.
- No toque el sistema de frenos, ya que podría causar lesiones debido a los bordes afilados. El freno puede calentarse durante su uso. No lo toque después de usarlo.
- El nivel de presión sonora de las emisiones ponderadas A es inferior a 70 dB(A).
- Para una mejor experiencia de conducción, se recomienda realizar un mantenimiento regular del producto.
- Elimine los bordes afilados causados por el uso.
- No se deben utilizar accesorios ni elementos adicionales que no estén aprobados por el fabricante.
- El mantenimiento regular del vehículo es un factor de seguridad.
- Las tuercas de autoapriete, así como las demás fijaciones de autoapriete, pueden perder su eficacia y es posible que sea necesario volver a apretarlas.
- Compruebe regularmente el apriete de los distintos elementos atornillados, en particular los ejes de las ruedas, el sistema de plegado, el sistema de dirección y el eje de los frenos.
- Compruebe regularmente el apriete de los distintos elementos atornillados, en particular los ejes de las ruedas, el sistema de plegado, el sistema de dirección y el eje de los frenos.

- No haga ninguna modificación que no esté indicada en las instrucciones.
- Asegúrese de que el scooter está apagado cuando se transporta y guárdelo en su embalaje original si es posible.
- Para evitar lesiones accidentales como descargas eléctricas e incendios causados por un uso inadecuado, lea atentamente las instrucciones antes de utilizar el producto y guárdelas debidamente para futuras consultas.
- Por favor, utilice este producto de acuerdo con las instrucciones del Manual del Usuario. Los usuarios son responsables de cualquier pérdida o daño derivado del uso inadecuado de este producto.
- Apague el vehículo o active un modo no operativo durante la carga.
- No cargue si el puerto de carga o el cable de carga están mojados. Lea atentamente este manual antes de realizar la carga.
- No cargue el scooter a una temperatura ambiente superior a 40° C o inferior a 0° C.
- Mantenga una distancia de seguridad cuando el scooter circule por una carretera llana/sin pendiente. La distancia de frenado aumentará en tiempo húmedo.
- La amortiguación de este producto no es ajustable (si procede).
- El aparato no está diseñado para su uso en elevaciones superiores a 2000 m sobre el nivel del mar.
- El aparato debe desconectarse de la fuente de alimentación durante el mantenimiento y la sustitución de piezas.
- El cable flexible externo o cordón de este transformador (cargador) no puede ser reemplazado; si el cordón está dañado, el transformador (cargador) deberá ser desechado.
- Si el cable o cordón flexible externo de este transformador está dañado, debe ser reemplazado por el fabricante o su agente de servicio o una persona calificada similar para evitar un peligro.
- Si el cable de alimentación está dañado, debe ser reemplazado por el fabricante, su agente de servicio o personas igualmente calificadas para evitar un peligro.
- Este producto contiene baterías que sólo pueden ser sustituidas por técnicos cualificados o el servicio postventa.
- Las baterías solo pueden ser reemplazadas por personas calificadas.

ADVERTENCIA: Para recargar la batería, utilice únicamente la unidad de alimentación desmontable suministrada con este aparato. No utilice un cargador de batería de otro producto. Mantenga una distancia segura de los combustibles circundantes durante la carga.

ADVERTENCIA: No utilice una batería o un cargador de batería de otros fabricantes. Utilice sólo la unidad de alimentación FY1505462450.

¡ADVERTENCIA! Mantenga la cubierta de plástico lejos de los niños para evitar que se asfixien.

¡ADVERTENCIA! No utilice el producto cerca de una fuente de agua. **¡ADVERTENCIA!** No utilice el producto cerca de una fuente de agua.

¡ADVERTENCIA! Deje de usar el producto cuando esté dañado.

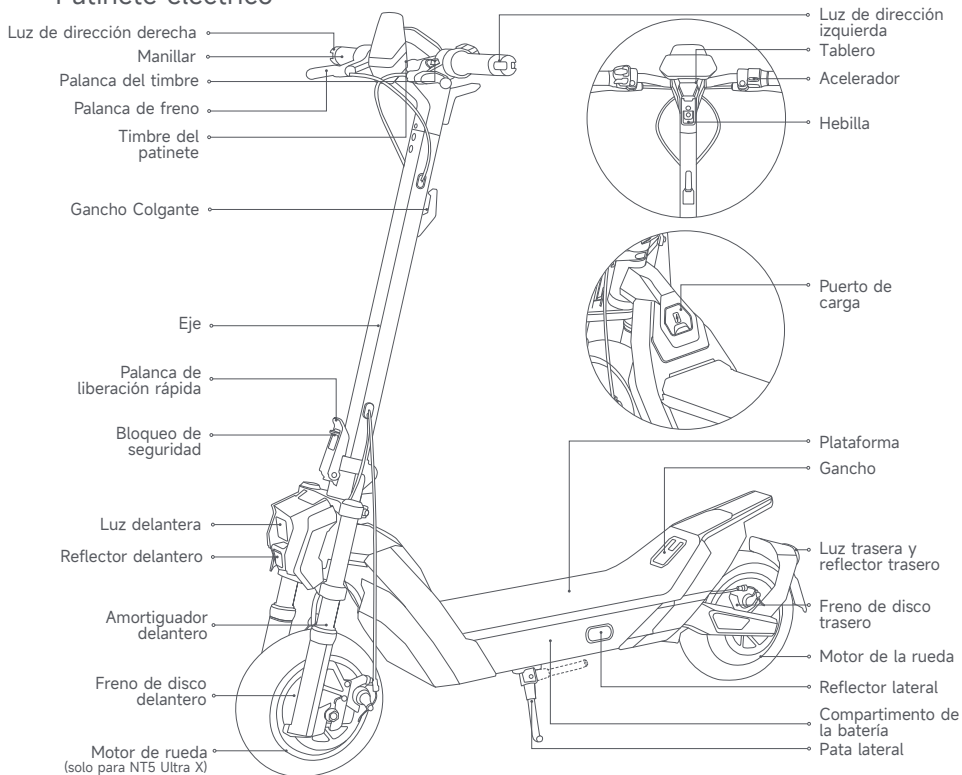
¡ADVERTENCIA! Como cualquier componente mecánico, un vehículo está sometido a grandes tensiones y desgaste. Los distintos materiales y componentes pueden reaccionar de forma diferente al desgaste o a la fatiga. Si se supera la vida útil prevista para un componente, éste puede romperse repentinamente, con el consiguiente riesgo de causar lesiones al usuario. Las grietas, los arañazos y la decoloración en las zonas sometidas a grandes tensiones indican que el componente ha superado su vida útil y le rogamos que se ponga en contacto con un reparador autorizado o especializado.

Durante el uso, tenga cuidado con los riesgos de aplastamiento de las manos y puntos de pinzamiento en las siguientes posiciones:

1. Entre el manillar y el vástago al instalar el manillar.
2. Aberturas en las ruedas.
3. Entre el guardabarros frontal y la plataforma.
4. Entre la palanca de liberación rápida y el bloqueo de la palanca de liberación rápida, y entre la unión plegable y el vástago al plegar o desplegar.
5. Entre los guardabarros y las ruedas.

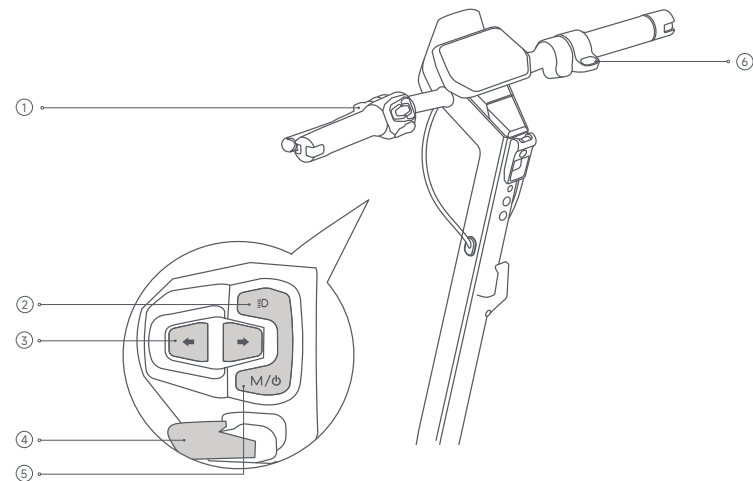
2. Descripción del producto

Patinete eléctrico

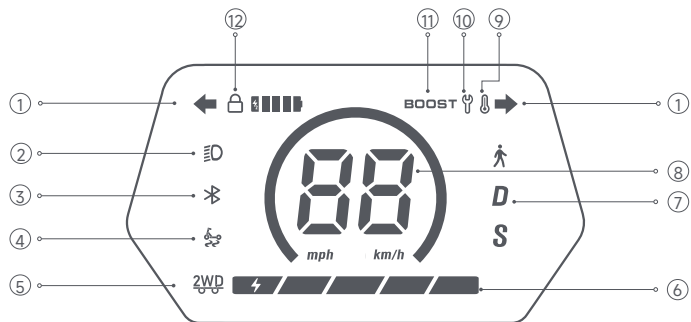


*Las imágenes mostradas son solo para fines ilustrativos. El producto real puede variar.

Funciones de los botones del manillar



- 1 Palanca del timbre: Presione para hacer sonar el timbre.
- 2 Botón de luz: Con el patinete encendido, presione para encender o apagar el faro delantero y la luz trasera.
- 3 Botones de intermitentes: Presione para activar el intermitente izquierdo o derecho. La señal correspondiente y el indicador en la pantalla empezarán a parpadear. Vuelva a presionar para apagarlos.
- 4 Botón BOOST: Pulse para activar la función BOOST (válida solo en modo S), y vuelva a pulsar para salir.
Nota: Se recomienda utilizarla únicamente después de haber dominado el control básico.
- 5 Botón de encendido / Cambio de modo: Presione para encender. Mantenga presionado durante 2 segundos para apagar. Con el patinete encendido, presione dos veces para cambiar el modo de conducción.
- 6 Acelerador: Presione para acelerar (funciona cuando la velocidad de inicio supera los 3 km/h).
Nota: La velocidad de inicio puede ajustarse desde la app de NAVEE.



- ① Intermitente izquierdo/derecho: si el icono parpadea, indica que el intermitente correspondiente está activado.
- ② Luz: Indica que el faro delantero está encendido.
- ③ Bluetooth: El icono de Bluetooth permanece encendido cuando el scooter está conectado correctamente a su dispositivo móvil.
- ④ TCS (Sistema de Control de Tracción): Cuando está activada, la función TCS ayuda a prevenir el deslizamiento excesivo de los neumáticos y mejora la estabilidad general al arrancar, acelerar o girar. Puede activarse o desactivarse desde la aplicación NAVEE.
- ⑤ Tracción a dos ruedas (solo NT5 Ultra X): Indica que el modo de tracción en dos ruedas está activo. Mantenga pulsado el botón BOOST durante 3 segundos para activarlo o desactivarlo, o contrólole mediante la aplicación NAVEE.
- ⑥ Nivel de batería: El nivel de batería se muestra mediante 5 barras. Cada barra representa aproximadamente el 20 % de la carga total.
- ⑦ Modos de conducción: indica el modo de paseo — velocidad máxima: 6 km/h. D indica el modo estándar. S indica el modo deportivo.
- ⑧ Velocímetro: Muestra la velocidad actual de conducción. Indica códigos de error cuando se detecta una falla y el nivel de batería durante la carga.
- ⑨ Advertencia de temperatura: El icono de termómetro se enciende cuando la temperatura de la batería es demasiado alta o baja. Espere a que vuelva a un rango normal antes de usar o cargar el scooter.
- ⑩ Indicador de error: Un icono de llave inglesa roja fija indica una falla en el sistema.
- ⑪ Modo BOOST: Indica que la función de impulso está activada.
- ⑫ Bloqueo: Este icono se ilumina cuando el scooter está bloqueado. Puede bloquear o desbloquear el scooter mediante la aplicación NAVEE.

3. Mantenimiento y Cuidado

Limpieza

Antes de limpiar tu scooter:

Apaga la alimentación. Desconecta el cable de carga. Asegúrate de que la tapa del puerto de carga esté completamente cerrada.

Para limpiar:

Limpia el scooter con un paño suave y húmedo. Para la suciedad difícil, usa un cepillo suave (por ejemplo, un cepillo de dientes). Finaliza secando todas las superficies con un paño limpio y seco.

Evita lo siguiente:

- Usar agua a alta presión (podría dañar los componentes internos).
- Usar limpiadores corrosivos (pueden dañar las partes internas y externas).

Cuidado de la batería

Para maximizar la vida útil de la batería:

Evita agotar completamente la batería. Cárgala regularmente.

Mantén siempre las temperaturas de uso, carga y almacenamiento dentro de los límites indicados en las especificaciones.

Si no se usa durante un período prolongado, carga la batería cada 60 días para evitar daños permanentes. Un scooter completamente cargado puede permanecer en espera entre 120 y 180 días.

Advertencias sobre la batería:

- Usa solo el cargador y la batería originales suministrados con tu scooter.
- Nunca uses una batería o cargador de otro modelo o marca.
- No cargues ni uses el scooter si la batería está dañada o ha estado en contacto con agua.
- No intentes retirar la batería tú mismo — requiere servicio profesional.

Almacenamiento

Si vas a guardar el scooter por un período prolongado:

Carga completamente la batería. Apaga el scooter. Guárdalo en un lugar fresco y seco, alejado del sol y la humedad.

Utiliza el embalaje original para el transporte, si está disponible.

Recordatorios de almacenamiento:

- Mantén el scooter alejado de materiales inflamables.
- Evita almacenarlo bajo la luz solar directa o en entornos muy húmedos.
- Este producto contiene una batería de litio. Sigue las leyes locales sobre transporte y almacenamiento.

Informacja środowiskowa

El scooter contiene un paquete de baterías recargables de iones de litio, y la eliminación inadecuada de estas baterías causará daños al medio ambiente. Siga los pasos que se indican a continuación para extraer las baterías antes de desechar el scooter y deséchelas correctamente:

1. Antes de retirar la batería, asegúrate de que el patinete esté apagado y que la batería esté completamente descargada. Desenrosca los tornillos que fijan los componentes de plástico, la pata de cabra, la tapa del compartimento de la batería y la tapa del controlador, y retira con cuidado cada componente.
2. Desenchufe el conector de las baterías y, a continuación, extraiga las baterías. No dañe la caja de las baterías para evitar cualquier riesgo de lesiones. No utilice la batería si está dañada, tiene un olor extraño, emite humo o se sobrecalienta. Mantenga la batería con fugas alejada de otros objetos.
3. Oddaj zużyty baterię do certyfikowanego punktu recyklingu baterii.

Programa de mantenimiento del scooter (recomendado):

El mantenimiento regular del scooter puede ayudar a mantenerlo limpio y en buen estado, evitar riesgos de seguridad, minimizar las averías, ralentizar el deterioro del scooter y prolongar su vida útil.

Artículo	Objeto de servicio	Acciones	Cada mes	Cada 3 meses	ECada 500 km/ 6 meses	Cada 1000 km/ 1 año	Cada 10000 km/ 3 años
Neumáticos	Desgaste de la banda de rodadura	Compruebe si el neumático está agrietado, deformado, desgastado, etc.			✓	✓	✓
Tornillos	Tornillos de montaje del manillar	Apriete el tornillo que une el conjunto del manillar con el conjunto de la potencia (con el par de apriete recomendado de 4,5 ± 0,5 N-m).	✓	✓	✓	✓	
		Apriete el tornillo del acelerador (con el par recomendado de 2,5 ± 0,1 N-m).				✓	✓
	Apriete el tornillo de la palanca de freno (con el par recomendado de 5,5 ± 0,2 N-m).						
	Pinza de freno de disco	Apriete el tornillo que fija la pinza del freno de disco (con el par de torque recomendado de 7,0 ± 0,5 N-m).			✓	✓	✓

Artículo	Objeto de servicio	Acciones	Cada mes	Cada 3 meses	ECada 500 km/ 6 meses	Cada 1000 km/ 1 año	Cada 10000 km/ 3 años
Funciones	Ajuste de los frenos	Antes de realizar el ajuste, consiga una llave de 4 mm (preparada por el usuario) y asegúrese de que el scooter está apagado y no se está cargando. Durante el ajuste, tire del extremo del cable de freno para tensarlo. Si el freno está demasiado apretado, utilice la herramienta para aflojar el tornillo girándolo en sentido contrario a las agujas del reloj, tire del balancín del freno de disco hacia fuera y, a continuación, apriete el tornillo. Si el freno está demasiado flojo, utilice la herramienta para aflojar el tornillo girándolo en sentido contrario a las agujas del reloj, empuje el balancín del freno de disco hacia delante y, a continuación, apriete el tornillo.			✓	✓	✓
	Carga	Cargue el scooter a una temperatura adecuada. El indicador del cargador de baterías es rojo cuando el scooter se está cargando, y se vuelve verde cuando el scooter está completamente cargado. El panel de control mostrará el estado de carga simultáneamente durante la carga.			✓	✓	✓
	Dirección	Gire el manillar 60° a la izquierda y a la derecha para asegurarse de que el ángulo de giro es correcto y la dirección no presenta resistencia ni se estanca.				✓	✓
Componentes importantes	Montaje de la batería	Cargue completamente el scooter antes de dejarlo sin usar durante mucho tiempo, y póngalo a cargar cada 60 días.					✓

Si las ruedas, las pastillas de freno y otras piezas vulnerables están desgastadas o dañadas y necesitan ser sustituidas, póngase en contacto a tiempo con el servicio postventa.

Aby znaleźć certyfikowany punkt serwisowy, skontaktuj się z nami pod adresem service@navee.tech lub odwiedź stronę <https://www.navee.tech.com>.

4. Especificaciones

Producto	Nombre	NAVEE Electric Scooter				
	Modelo	NT5 Max EU	NT5 Max DE	NT5 Max IT	NT5 Max SE	NT5 Max AT
Dimensiones	Desplegado: La. × An. × Al. (mm) ^[1]	1250 × 625 × 1355				
	Plegado: La. × An. × Al. (mm)	1250 × 625 × 645				
Peso neto	Peso neto del vehículo (kg)	33,5				
Conductor	Rango de carga (kg)	25-150				
	Edad (años)	16-50				
	Longitud del cuerpo (cm)	120-200				
Patinete eléctrico montado	Velocidad máxima (km/h)	25	20	25	20	25
	Autonomía máx. (km) ^[2]	85				
	Autonomía a vel. máx. (km) ^[3]	53	75	53	75	53
	Ángulo de subida (%)	28				
	Superficies adecuadas	Carretera de cemento o asfalto, con desniveles inferiores a 1 cm o hendiduras de estrechez inferior a 3 cm.				
	Temperatura de funcionamiento (°C)	-10 a 40				
	Temperatura de almacenamiento (°C)	-20 a 45				
	Clasificación IP	IPX6				
	Tiempo de carga (h)	ca. 5-6				
	Pack de batería	Modelo	T2545-BD1A			
Voltaje nominal (VCC)		46,8				
Voltaje de carga máxima (V CC)		54,6				
Energía nominal (Wh)		561,6				
Sistema de gestión inteligente de la batería		Protección contra sobrecalentamientos, cortocircuitos, sobretensiones, sobredescargas y sobrecargas				
Rango de temperatura de carga normal (°C)		0 a 40				
Capacidad nominal (Ah)		12				
Motor de la rueda	Potencia nominal (kW; W)	0,7; 700	0,5; 500	0,5; 500	0,25; 250	0,6; 600
Cargador de la batería	Modelo ^[4]	FY1505462450				
	Potencia de salida (kW; W)	0,133; 133,77				
	Entrada	100-240 V- 50/60 Hz				
	Salida nominal (VCC; A)	54,6 ; 2,45				
Rueda	Neumáticos delanteros y traseros	Neumáticos todoterreno de 10,5 pulgadas con gran agarre				
Bluetooth	Banda(s) de frecuencia	2.4000 - 2.4835 GHz				
	Potencia RF máxima (dBm)	8				

[1] Altura del vehículo: desde el suelo hasta la parte superior del patinete.

[2] Autonomía máxima: medida a 25 °C sin viento, con el patinete completamente cargado circulando a 15 km/h sobre superficie plana con carga de 75 kg.

[3] Autonomía a velocidad máxima: medida a 25 °C sin viento, con el patinete completamente cargado circulando a velocidad máxima sobre superficie plana con una carga de 75 kg.

[4] Para recargar la batería, use únicamente el cargador incluido en el paquete.

Producto	Nombre	NAVEE Electric Scooter				
	Modelo	NT5 Ultra X EU	NT5 Ultra X DE	NT5 Ultra X IT	NT5 Ultra X SE	NT5 Ultra X AT
Dimensiones	Desplegado: La. × An. × Al. (mm) ^[1]	1250 × 625 × 1355				
	Plegado: La. × An. × Al. (mm)	1250 × 625 × 645				
Peso neto	Peso neto del vehículo (kg)	36,5				
Conductor	Rango de carga (kg)	25-150				
	Edad (años)	16-50				
	Longitud del cuerpo (cm)	120-200				
Patinete eléctrico montado	Velocidad máxima (km/h)	25	20	20	20	25
	Autonomía máx. (km) ^[2]	90				
	Autonomía a vel. máx. (km) ^[3]	66	78	78	78	66
	Ángulo de subida (%)	45				
	Superficies adecuadas	Carretera de cemento o asfalto, con desniveles inferiores a 1 cm o hendiduras de estrechez inferior a 3 cm.				
	Temperatura de funcionamiento (°C)	-10 a 40				
	Temperatura de almacenamiento (°C)	-20 a 45				
	Clasificación IP	IPX6				
	Tiempo de carga (h)	ca. 7-8				
	Pack de batería	Modelo	T2443-BD6A			
Voltaje nominal (VCC)		46,8				
Voltaje de carga máxima (V CC)		54,6				
Energía nominal (Wh)		898,56				
Sistema de gestión inteligente de la batería		Protección contra sobrecalentamientos, cortocircuitos, sobretensiones, sobredescargas y sobrecargas				
Rango de temperatura de carga normal (°C)		0 a 40				
Capacidad nominal (Ah)		19,2				
Motor de la rueda	Potencia nominal (kW; W)	0,5 × 2; 500 × 2	0,25 × 2; 250 × 2	0,25 × 2; 250 × 2	0,125 × 2; 125 × 2	0,3 × 2; 300 × 2
Cargador de la batería	Modelo ^[4]	FY1505462450				
	Potencia de salida (kW; W)	0,133; 133,77				
	Entrada	100-240 V- 50/60 Hz				
	Salida nominal (VCC; A)	54,6 ; 2,45				
Rueda	Neumáticos delanteros y traseros	Neumáticos todoterreno de 10,5 pulgadas con gran agarre				
Bluetooth	Banda(s) de frecuencia	2.4000 - 2.4835 GHz				
	Potencia RF máxima (dBm)	8				

[1] Altura del vehículo: desde el suelo hasta la parte superior del patinete.

[2] Autonomía máxima: medida a 25 °C sin viento, con el patinete completamente cargado circulando a 15 km/h sobre superficie plana con carga de 75 kg.

[3] Autonomía a velocidad máxima: medida a 25 °C sin viento, con el patinete completamente cargado circulando a velocidad máxima sobre superficie plana con una carga de 75 kg.

[4] Para recargar la batería, use únicamente el cargador incluido en el paquete.

5. Certificaciones

Direttiva sulla restrizione dell'uso di sostanze pericolose (RoHS)

Este producto de SPACEWALKER PTE. LTD., con las piezas incluidas (cables, cordones, etc.) cumple con la restricción de uso de determinadas sustancias peligrosas en equipos eléctricos y electrónicos 2011/65/UE Anexo II y su modificación Directiva (UE) 2015/863.

Declaración de conformidad de la UE



Este dispositivo cumple los requisitos de la UE sobre la limitación de la exposición del público general a campos electromagnéticos como forma de proteger la salud.

Por la presente, SPACEWALKER PTE. LTD. declara que el tipo de equipo radioeléctrico [NT5 Max EU], [NT5 Max DE], [NT5 Max IT], [NT5 Max SE], [NT5 Max AT], [NT5 Ultra X EU], [NT5 Ultra X DE], [NT5 Ultra X IT], [NT5 Ultra X SE] y [NT5 Ultra X AT] cumple con la Directiva 2014/53/UE y 2006/42/CE. Encontrará el texto completo de la declaración de conformidad de la UE en esta dirección de Internet: www.naveetech.com

Declaración de cumplimiento de la Unión Europea

Información sobre el reciclaje de las baterías para la Unión Europea



Las baterías o su embalaje están etiquetados conforme al Reglamento (UE) 2023/1542 relativo a las pilas, acumuladores y a los residuos de pilas y acumuladores. La Directiva determina el marco de la devolución y el reciclaje de las baterías y acumuladores usados, según sea aplicable en toda la UE. Esta etiqueta se aplica a diferentes baterías para indicar que no se deben desechar, sino que deben recuperarse al final de su vida útil según esta Directiva.

De conformidad con el Reglamento (UE) 2023/1542, las pilas y acumuladores están etiquetados para indicar que deben recogerse por separado y reciclarse al final de su vida útil. La etiqueta de la batería puede también incluir un símbolo químico para indicar el metal correspondiente de la batería (Pb para el plomo, Hg para el mercurio y Cd para el cadmio). Los usuarios de baterías y acumuladores no deben desecharlos como residuos urbanos sin clasificar, sino que deberán atenerse al marco de recogida disponible para desechar, reciclar y tratar las baterías y acumuladores. La participación del cliente es importante para minimizar los efectos potenciales que puedan tener las baterías y acumuladores en el medio ambiente y en la salud humana debido a la presencia de sustancias peligrosas.

Antes de colocar equipos eléctricos y electrónicos (EEE) en la cadena o en las instalaciones de recogida de residuos, el usuario final del equipo que contenga baterías y/o acumuladores deberá desechar esas baterías y acumuladores por separado.

Directiva sobre residuos de aparatos eléctricos y electrónicos (RAEE)



Todos los productos que llevan este símbolo son residuos de aparatos eléctricos y electrónicos (RAEE) según la directiva 2012/19/UE que no deben mezclarse con residuos domésticos sin clasificar. En su lugar, debe proteger la salud humana y el medio ambiente entregando sus equipos de desecho a un punto de recogida para el reciclaje de residuos de equipos eléctricos y electrónicos, designado por el gobierno o las autoridades locales. La eliminación y el reciclado correctos ayudarán a evitar posibles consecuencias negativas para el medio ambiente y la salud humana. Póngase en contacto con el instalador o con las autoridades locales para obtener más información sobre la ubicación y las condiciones de dichos puntos de recogida.

Advertencia de seguridad



¡Peligro!
Lea el manual de usuario antes de utilizarlo.



¡ADVERTENCIA!
Sólo para uso en interiores
(para el cargador).



¡ADVERTENCIA!
Léalo atentamente y consérvelo para
futuras consultas.



ADVERTENCIA
Aparato de Clase II



¡ADVERTENCIA!
Superficie caliente



¡ADVERTENCIA!
Bordes afilados



No exponer a la humedad



El cargador debe usarse en
altitudes no superiores a 5000m.



Luz



Luz de dirección



SMPS con transformador de
aislamiento de seguridad a prueba
de cortocircuitos (inherente o no
inherente)



Corriente continua



SMPS (fuente de alimentación conmutada)



Corriente alterna



Fusible miniatura de retardo donde
X es el símbolo de la característica
tiempo/corriente según IEC 60127



Polaridad de la salida del
cargador, centro positivo

Cargador de la batería

ADVERTENCIA

1. El cargador está diseñado sólo para uso en interiores. No lo exponga a la lluvia ni a la nieve.
2. No utilice para baterías no recargables, ya que pueden sobrecalentarse y romperse.
3. El mal uso de otro tipo de baterías puede reventar causando lesiones personales y daños.
4. No incinere, desmonte ni cortocircuite las baterías.
5. Si el rendimiento de las baterías disminuye sustancialmente, es el momento de cambiarlas.
6. Guarde el cargador en un lugar fresco y seco cuando no lo utilice.
7. Desconecte la alimentación antes de realizar o interrumpir las conexiones a la batería.
8. Gases explosivos. Evite las llamas y las chispas. Proporcione una ventilación adecuada durante la carga.
9. Durante la carga, la batería debe colocarse en una zona bien ventilada.
10. Mantenga los aparatos eléctricos fuera del alcance de los niños o personas enfermas. No permita que utilicen los aparatos sin supervisión.
11. Este aparato no está diseñado para ser utilizado por personas (incluidos niños) con capacidades físicas, sensoriales o mentales reducidas o con falta de experiencia y conocimientos, a menos que hayan recibido supervisión o instrucciones sobre el uso del aparato por parte de una persona responsable de su seguridad.
12. Este aparato puede ser utilizado por niños a partir de 8 años y por personas con capacidades físicas, sensoriales o mentales reducidas o con falta de experiencia y conocimientos, siempre que hayan sido supervisados o instruidos acerca del uso del aparato de forma segura y comprendan los peligros que conlleva. Los niños no deben jugar con el aparato. Los niños no deben limpiar ni realizar tareas de mantenimiento sin supervisión.
13. El cable flexible externo o cordón de este transformador no puede ser reemplazado; si el cordón está dañado, el transformador deberá ser desechado.
14. Si el cable de alimentación está dañado, debe ser sustituido por un cable o conjunto especial disponible a través del fabricante o de su agente de servicio.

Instrucciones de carga

1. Conecte el cargador directamente a una fuente de alimentación. No utilice alargadores.
2. El cargador sólo puede cargar baterías de iones de litio.
3. Evite la carga inversa.
4. Los cargadores no están diseñados para cargar baterías de automóviles.

 Pieza de alimentación desmontable

Pack de batería

ADVERTENCIA

1. No desmonte, abra ni triture las pilas secundarias ni las baterías.
2. Mantenga las baterías fuera del alcance de los niños. Se debe supervisar el uso de las baterías por parte de los niños. Especialmente mantenga las baterías pequeñas fuera del alcance de los niños pequeños.
3. Acuda inmediatamente a un médico en caso de ingestión de una pila o una batería.
4. No exponga las pilas ni las baterías al calor o al fuego. Evite almacenarlas a la luz directa del sol.
5. No cortocircuite las pilas ni las baterías. No almacene pilas o baterías al azar en una caja o cajón donde puedan cortocircuitarse entre sí o ser cortocircuitadas por otros objetos metálicos.
6. No saque una pila o batería de su embalaje original hasta que sea necesario para su uso.
7. No someta las pilas o baterías a golpes mecánicos.
8. En caso de fuga de una pila, no permita que el líquido entre en contacto con la piel o los ojos; si se produce el contacto, lave la zona afectada con abundante agua y acuda a un médico.
9. No utilice ningún otro cargador que no sea el suministrado específicamente para su uso con el equipo.
10. Observe las marcas más (+) y menos (-) de la pila, la batería y el equipo y asegúrese de que se utilizan correctamente.
11. No utilice pilas o baterías que no estén diseñadas para su uso con el equipo.
12. No mezcle pilas de diferente fabricación, capacidad, tamaño o tipo dentro de un mismo aparato.
13. Compre siempre la batería recomendada por el fabricante del dispositivo para el equipo.
14. Mantenga las pilas y baterías limpias y secas.
15. Limpie los terminales de la pila o batería con un paño limpio y seco si se ensucian.
16. Las pilas y baterías secundarias deben cargarse antes de su uso. Utilice siempre el cargador correcto y consulte las instrucciones del fabricante o el manual del equipo para conocer las instrucciones de carga adecuadas.
17. No deje una batería en carga prolongada cuando no esté en uso.
18. Después de largos períodos de almacenamiento, puede ser necesario cargar y descargar las celdas obaterías varias veces para obtener el máximo rendimiento.
19. Conserve la literatura original del producto para futuras consultas.
20. Utilice la pila o batería sólo en la aplicación para la que fue diseñada.
21. Cuando sea posible, retire la batería del equipo cuando no esté en uso.
22. Deséchela correctamente.

Resumen de la garantía

Este producto incluye una garantía limitada que cubre defectos de fabricación por un período específico a partir de la fecha de compra. Los términos de la garantía, la duración y la disponibilidad del servicio pueden variar según el país o la región. La garantía no cubre daños causados por mal uso, accidentes o reparaciones no autorizadas. Para obtener términos detallados y soporte local, visite <https://service.naveetech.com>.

1. Veiligheidsinstructies

Originele instructies

BELANGRIJK! Lees zorgvuldig door alvorens het product te gebruiken en bewaar het voor toekomstig gebruik.

Voor een gedetailleerde e-gebruikershandleiding, ga naar www.naveetech.com

- Dit apparaat is niet bedoeld voor gebruik door personen (inclusief kinderen) met verminderde fysieke, sensorische of mentale vermogens, of gebrek aan ervaring en kennis, tenzij zij toezicht of instructies hebben gekregen over het gebruik van het apparaat door een persoon die verantwoordelijk is voor hun veiligheid. Kinderen moeten worden begeleid om ervoor te zorgen dat ze niet met het apparaat spelen.
- Dit apparaat is bedoeld voor rijders ouder dan 8 jaar en personen met lichamelijke en geestelijke vermogens en personen met verminderde lichamelijke, zintuiglijke of geestelijke vermogens of gebrek aan ervaring en kennis, indien zij onder toezicht staan of instructies hebben gekregen betreffende het gebruik van het apparaat op een veilige manier en de daaraan verbonden gevaren begrijpen. Kinderen mogen niet met het apparaat spelen. Reiniging en gebruikersonderhoud mogen niet zonder toezicht door kinderen worden uitgevoerd.
- Het apparaat mag uitsluitend worden gebruikt met de bijgeleverde oplader.
- Draag te allen tijde een helm, hand-/pols-/kniebeschermers, elleboogbeschermers en andere beschermende uitrusting.
- De step mag slechts door één persoon worden gebruikt. Schoenen dienen te worden gedragen tijdens het rijden. Gebruik de step niet voor andere doeleinden. Deze step is niet bedoeld voor acrobatisch gebruik.
- Het product wordt aanbevolen voor rijders ouder dan 16 jaar en jonger dan 50 jaar. Personen die ongeschikt zijn om dit product te gebruiken zijn onder andere: (1) Personen onder invloed van alcohol of drugs. (2) Personen die door ziekte of medische aandoeningen niet in staat zijn om zich fysiek in te spannen. (3) Personen met een slecht evenwichtsgevoel of beperkte motoriek. (4) Personen waarvan het gewicht het productlimiet overschrijft. (5) Zwangere vrouwen. (6) Personen met een visuele of auditieve beperking.
- Houd u aan de lokale wetten en regelgevingen bij het gebruik van dit product. Rijd niet op plekken waar dit verboden is door de lokale wetgeving.
- In landen of regio's waar momenteel geen nationale normen of regelgeving voor elektrische steps bestaan, moet u strikt de veiligheidsinstructies in deze handleiding volgen bij het gebruik van dit product. Als u dit niet doet, kunnen er veiligheidsrisico's voor kinderen ontstaan. SPACEWALKER PTE. LTD. kan niet direct of gezamenlijk aansprakelijk worden gesteld voor persoonlijk letsel, materiële schade, ongevallen, juridische geschillen of andere nadelige gevolgen die voortvloeien uit verkeerd gebruik of gebruik in strijd met de aanwijzingen in deze handleiding.
- Rijd niet op verkeersstroken of in woonwijken waar zowel voertuigen als voetgangers zijn toegelaten. In het geval van het passeren van een plaats aangewezen voor voetgangers die recht hebben op voorrang zoals een oversteekplaats, stap dan af om de step bij de hand te nemen.
- De voorbereidingen die nodig zijn voordat u dit product gaat gebruiken, zijn onder andere: controleer of het stuursysteem goed is afgesteld, of alle aangesloten onderdelen (zoals het inklapsysteem) goed vastzitten en onbeschadigd zijn, en of de remmen en wielen in goede staat zijn.
- Voer voor elke rit een basisinspectie van de elektrische step uit. Als er abnormale omstandigheden zijn, zoals losse onderdelen, lage accuwaarschuwingen, lekke banden of overmatige slijtage van banden, vreemde geluiden, storingen en andere abnormale omstandigheden, stop dan onmiddellijk met het rijden en bel voor professionele hulp.
- Neem de tijd om te oefenen om ernstige ongelukken te voorkomen die in het begin kunnen gebeuren. Informatie over oefenen en veilig gebruik vindt u op de website: www.naveetech.com.
- Zorg voor goed zicht en zorg ervoor dat anderen u kunnen zien tijdens het rijden.
- Rijd niet bij slecht weer, slecht zicht of na zware lichamelijke inspanning.
- Zet uw koplampen aan en rijd langzamer als u in een omgeving met weinig zicht rijdt.

- Zorg ervoor dat de standaard op een vlakke ondergrond staat en dat de step stabiel genoeg is om zelfstandig te kunnen staan.
- Deze elektrische step is een product om in de vrije tijd te gebruiken. Als u zich echter in een openbaar gebied begeeft, wordt het beschouwd als een vervoermiddel en is het onderhevig aan mogelijke veiligheidsrisico's voor alle vervoermiddelen. Rijden in strikte overeenstemming met de instructies in deze gebruikershandleiding zal u en anderen in de grootst mogelijke mate beschermen.
- De gebruiker dient de grenzen van het gebruik te controleren in overeenstemming met de plaatselijke voorschriften. Rijd met de step op de wegen of gebieden die zijn toegestaan door de plaatselijke regelgeving en wetten en parkeer de step op de toegestane plaatsen. Als de plaatselijke regelgeving en wetten andere bepalingen hebben over de maximumsnelheid, hebben de plaatselijke regelgeving en wetten voorrang. Respecteer en volg de verkeersveiligheid en deregels van het voertuig.
- Respecteer de voorrang van voetgangers. Probeer ze niet te laten schrikken tijdens het rijden, vooral kinderen niet. Wanneer u van achter voetgangers komt aanrijden, laat dan uw bel rinkelen om hen op de hoogte te brengen en rem uw step af om hen van links te passeren. Houd rechts aan met een lage snelheid wanneer u hen passeert (van toepassing op landen waar voertuigen aan de rechterkant rijden). Als u over voetgangers passeert, houd dan de laagste snelheid aan of stap van het voertuig af.
- Anticipeer in elk geval op uw rijrichting en uw snelheid met respect voor de wegcodes, de code van het trottoir en de meest kwetsbare personen. Laat u horen bij het naderen van een voetganger of fietser wanneer u niet gezien of gehoord wordt. Steek al lopend de beschermde doorgangen over. Steek al lopend de beschermde doorgangen over. Vermijd gebieden met druk verkeer of overvolle gebieden.
- Rijden met hoge snelheid of een snelheid die niet geschikt of adequaat is voor de situatie (slechte rijomstandigheden, slechte ondergrond of dergelijke) kan leiden tot een mogelijk verlies van stabiliteit of verlies van controle. Om elk risico te verminderen, dient u alle aanwijzingen in deze handleiding op te volgen. Wees voorzichtig bij het monteren en demonteren van het product, het kan omvallen en letsel veroorzaken.
- Het verkeer in de stad kent veel obstakels, die omzeild dienen te worden, zoals stoerpranden of trappen. Het is raadzaam om springschansen te vermijden. Het is belangrijk te anticiperen en uw rijrichting en snelheid aan te passen aan die van een voetganger alvorens deze obstakels te omzeilen. Het is raadzaam om af te stappen wanneer deze obstakels gevaarlijk worden door hun vormgeving, hoogte of gladheid.
- Leen uw step niet uit aan iemand die de werking niet kent. Voordat u de elektrische step uitleent aan anderen, dient u er zeker van te zijn dat de berijder deze gebruiksaanwijzing heeft gelezen en de instructievideo heeft bekeken, en de basisbediening heeft begrepen. Herinner de rijders eraan om op de juiste manier veiligheidsbescherming te dragen om zo de veiligheid van de rijders te waarborgen.
- Neem contact op met uw verkoper voor geschikte trainingsinstituten.
- Wees in alle gevallen voorzichtig met uzelf en anderen.
- Elke last die aan het stuur wordt bevestigd, beïnvloedt de stabiliteit van het voertuig.
- Raak het remsysteem niet aan, dit kan verwondingen veroorzaken door scherpe randen. De rem kan heet worden tijdens het gebruik. Raak het niet aan na gebruik.
- Het A-gevoeg geluidsdrukkniveau is minder dan 70 dB(A).
- Voor een betere rijervaring wordt aangeraden om het product regelmatig te onderhouden.
- Verwijder eventuele scherpe randen die door het gebruik zijn ontstaan.
- Accessoires en andere extra items die niet door de fabrikant zijn goedgekeurd, mogen niet worden gebruikt.
- Regelmatig onderhoud van het voertuig is een veiligheidsfactor.
- De zelfspannende moeren en andere zelfspannende bevestigingen kunnen hun effectiviteit verliezen en moeten mogelijk opnieuw worden aangedraaid.
- Controleer regelmatig het vastzitten van de verschillende geschroefde verbindingstukken, met name de wielassen, het opvoelsysteem, het stuursysteem en de aandrijfas van de rem.
- Wijzig of verander het voertuig niet, met inbegrip van de stuurhuis en-behuizing, stuurpen, vouwmechanisme en remsysteem.

- Breng geen wijzigingen aan die niet in de instructies staan.
- Zorg ervoor dat de step uitgeschakeld is tijdens vervoer en bewaar hem indien mogelijk in de originele verpakking.
- Om onopzettelijk letsel zoals elektrische schokken en brand als gevolg van onjuist gebruik te voorkomen, dient u voor gebruik de instructies zorgvuldig door te lezen en deze goed te bewaren voor toekomstige naslag.
- Gebruik dit product in overeenstemming met de aanwijzingen in de gebruikershandleiding. Gebruikers zijn verantwoordelijk voor verlies of schade als gevolg van onjuist gebruik van dit product.
- Schakel het voertuig tijdens het opladen uit of in een niet-operationele stand.
- Niet opladen als de oplaadpoort of oplaadkabel nat is. Lees deze gebruikershandleiding zorgvuldig door voordat u gaat opladen.
- Laad de step niet op bij een omgevingstemperatuur boven 40° C of onder 0° C.
- De schokdemping van dit product is niet instelbaar (indien van toepassing).
- De schokdemping van dit product is niet instelbaar (indien van toepassing).
- Het apparaat is niet bedoeld voor gebruik op hoogtes groter dan 2000 m. boven zeeniveau.
- Tijdens onderhoud en bij het vervangen van onderdelen dient het apparaat te worden losgekoppeld van de stroombron.
- De externe flexibele kabel of het snoer van deze transformator (oplader) kan niet worden vervangen. Als het snoer beschadigd is, moet de transformator (oplader) worden afgedankt.
- Als de externe flexibele kabel of het snoer van deze transformator beschadigd is, moet deze vervangen worden door de fabrikant of diens servicemedewerker of een vergelijkbaar bevoegd persoon om gevaar te voorkomen.
- Als het stroomsnoer beschadigd is, moet het worden vervangen door de fabrikant, zijn servicemedewerker of vergelijkbare bevoegde personen om gevaar te voorkomen.
- Dit product bevat accu's die alleen kunnen worden vervangen door bevoegde technici of de klantenservice.
- De accu in dit apparaat mag alleen worden vervangen door vakmensen.

• **WAARSCHUWING:** Gebruik voor het opladen van de accu alleen de afneembare stroomvoorzieningseenheid die bij dit apparaat is geleverd. Gebruik geen accu-oplader van een ander product. Houd tijdens het opladen een veilige afstand tot de eventuele omringende brandbare stoffen aan.

• **WAARSCHUWING:** Gebruik geen accu of accu-oplader van derden. Alleen gebruiken met de FY1505462450 - roomvoorzieningseenheid.

• **WAARSCHUWING!** Houd plastic beschermfolie uit de buurt van kinderen om verstikking te voorkomen.

• **WAARSCHUWING!** Gebruik dit product nooit in de buurt van een waterbron.

• **WAARSCHUWING!** Staak het gebruik van dit product als het is beschadigd.

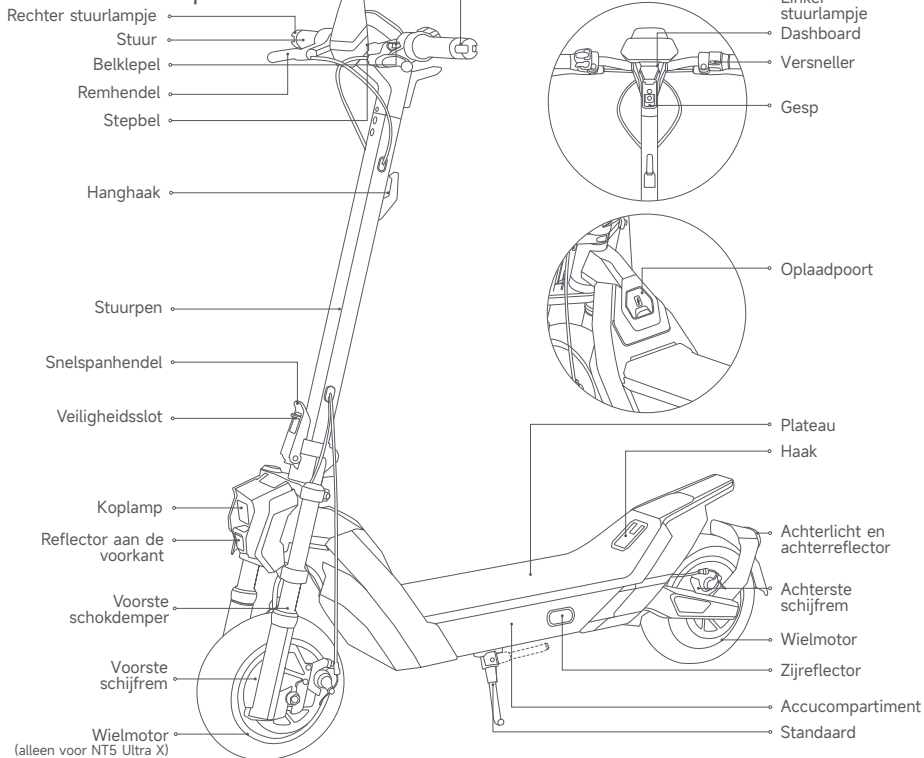
• **WAARSCHUWING:** Gebruik voor het opladen van de accu alleen de afneembare stroomvoorzieningseenheid die bij dit apparaat is geleverd. Gebruik geen accu-oplader van een ander product. Houd tijdens het opladen een veilige afstand tot de eventuele omringende brandbare stoffen aan.

Let op het gevaar van beknelling en knelpunten in de volgende posities tijdens het gebruik:

1. Tussen het stuur en de stuurpen bij het monteren van het stuur.
2. Openingen op de wielen.
3. Tussen het voorspatbord en het plateau.
4. Tussen de snelspanhendel en de vergrendeling van de snelspanhendel, en tussen de inklapbare verbinding en de stuurpen bij het in- of uitklappen.
5. Tussen de spatborden en de wielen.

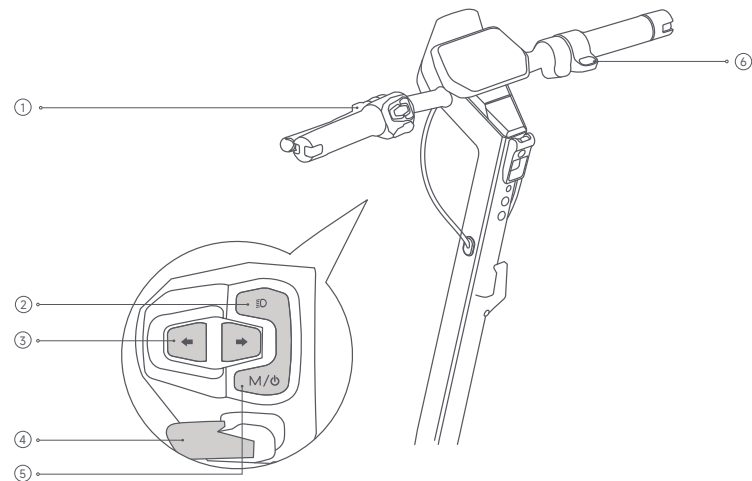
2. Productoverzicht

Elektrische step

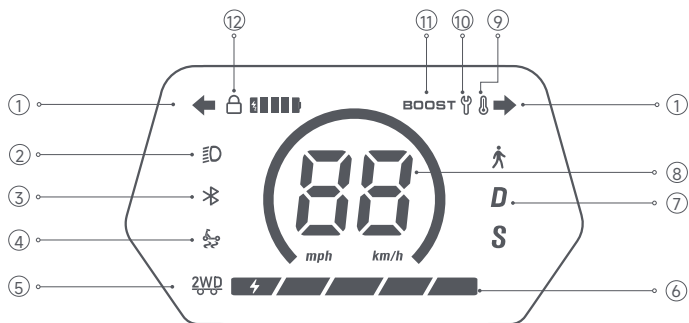


* De afbeeldingen in deze gebruikshandleiding dienen slechts als naslagwerk. De daadwerkelijke vormgeving zal afhankelijk zijn van het daadwerkelijke product.

Stuurknopfuncties



- ① Belhendel: Druk om de bel te laten rinkelen.
- ② Lichtknop: Wanneer de scooter is ingeschakeld, druk om de koplamp en het achterlicht in of uit te schakelen.
- ③ Richtingaanwijzerknoppen: Druk om de linker- of rechterrichtingaanwijzer te activeren. Het overeenkomstige signaal en de indicator op het dashboard beginnen te knipperen. Druk opnieuw om het uit te schakelen.
- ④ BOOST-knop: Druk om de BOOST-functie te activeren (alleen beschikbaar in S-modus), en druk nogmaals om te beëindigen.
Opmerking: Alleen aanbevolen als de bestuurder de basisbediening onder de knie heeft.
- ⑤ Aan/uit-knop / Moduswissel: Druk om in te schakelen. Houd 2 seconden ingedrukt om uit te schakelen. Wanneer de scooter is ingeschakeld, dubbelklik om van rijmodus te wisselen.
- ⑥ Gashendel: Druk om te versnellen (werkt wanneer de startsnelheid hoger is dan 3 km/u).
Opmerking: De startsnelheid kan worden aangepast via de NAVEE-app.



- ① Richtingaanwijzer links/rechts: Als het pictogram knippert, is de linker- of rechterraichtingaanwijzer ingeschakeld.
- ② Licht: Geeft aan dat de koplamp is ingeschakeld.
- ③ Bluetooth: Het Bluetooth-pictogram blijft branden wanneer de scooter succesvol met uw mobiele apparaat is verbonden.
- ④ TCS (Traction Control System): Wanneer ingeschakeld, helpt de TCS-functie overmatige bandenslip te voorkomen en verbetert het de algehele stabiliteit bij starten, versnellen of bochten maken. TCS kan in of uit worden geschakeld via de NAVEE-app.
- ⑤ Tweewiel aandrijving (alleen NT5 Ultra X): Geeft aan dat de tweewiel aandrijvingsmodus actief is. Houd de BOOST-knop 3 seconden ingedrukt om hem in of uit te schakelen, of bedien hem via de NAVEE-app.
- ⑥ Batterijniveau: Het batterijniveau wordt weergegeven met 5 streepjes. Elk streepje vertegenwoordigt ongeveer 20% van een volledige lading.
- ⑦ Rijmodi: geeft de loopmodus aan — maximale snelheid: 6 km/u. D staat voor standaardmodus. S staat voor sportmodus.
- ⑧ Snelheidsmeter: Toont de huidige rijsnelheid. Geeft foutcodes weer bij storingen en toont het batterijniveau tijdens het opladen.
- ⑨ Temperatuurwaarschuwing: Het thermometerpictogram licht op wanneer de batterijtemperatuur te hoog of te laag is. Wacht tot de temperatuur binnen het normale bereik ligt voordat u de scooter gebruikt of oplaadt.
- ⑩ Foutindicator: Een constant rood moersleutelpictogram geeft een storing in het systeem aan.
- ⑪ BOOST-modus: Geeft aan dat de boostfunctie is geactiveerd.
- ⑫ Vergrendeling: Dit pictogram licht op wanneer de scooter vergrendeld is. U kunt de scooter vergrendelen of ontgrendelen met de NAVEE-app.

3. Onderhoud en verzorging

Reiniging

Voordat u uw scooter schoonmaakt:

Schakel de stroom uit. Koppel de oplaadkabel los. Zorg ervoor dat de afdekking van de oplaadpoort volledig gesloten is.

Reinig als volgt:

Veeg de scooter af met een zachte, vochtige doek. Gebruik voor hardnekkig vuil een zachte borstel (bijv. een tandenborstel). Droog alle oppervlakken af met een schone, droge doek.

Vermijd het volgende:

- Gebruik van hogedrukwater (dit kan interne componenten beschadigen).
- Gebruik van bijtende schoonmaakmiddelen (deze kunnen zowel de buiten- als binnenkant aantasten).

Batterijonderhoud

Om de levensduur van de batterij te maximaliseren:

V voorkom dat de batterij volledig ontladen raakt.

Laad regelmatig op. Houd gebruiks-, laad- en opslagtemperaturen altijd binnen de grenzen zoals vermeld in de specificaties.

Als de scooter langere tijd niet wordt gebruikt, laad de batterij dan elke 60 dagen op om permanente schade te voorkomen. Een volledig opgeladen scooter kan ongeveer 120–180 dagen stand-by blijven.

Waarschuwingen met betrekking tot de batterij:

- Gebruik alleen de originele oplader en batterij die bij uw scooter zijn geleverd.
- Gebruik nooit een batterij of oplader van een ander model of merk.
- Laad de scooter niet op en gebruik hem niet als de batterij beschadigd is of in contact is geweest met water.
- Probeer de batterij niet zelf te verwijderen — dit vereist professionele service.

Opslag

Als u de scooter langdurig opslaat:

Laad de batterij volledig op. Schakel de scooter uit. Bewaar op een koele, droge plek, uit de buurt van zonlicht en vochtigheid.

Gebruik indien mogelijk de originele verpakking voor transport.

Opslaginstructies:

- Houd de scooter uit de buurt van brandbare materialen.
- Vermijd opslag in direct zonlicht of zeer vochtige omgevingen.
- Dit product bevat een lithiumbatterij. Volg de lokale wetgeving voor vervoer en opslag.

Milieuverklaring

De step bevat een oplaadbare lithium-ion accu, en het verkeerd weggooiën van deze accu's zal schade aan het milieu veroorzaken. Volg de onderstaande stappen om de accu's te verwijderen voordat u de step weggooit en gooi de accu's op de juiste manier weg:

- Schakel de scooter uit en zorg ervoor dat de batterij volledig is ontladen voordat je deze verwijdert. Schroef de schroeven los van de kunststof onderdelen, de zijstandaard, de afdekking van het batterijcompartiment en de controllerafdekking en verwijder elk onderdeel voorzichtig.
- Koppel de accu-aansluiting los, en verwijder vervolgens de accu's. Beschadig de accuhouder niet om risico op verwondingen te voorkomen. Gebruik de accu niet als deze beschadigd is, een vreemde geur heeft, rook afgeeft of oververhit raakt. Houd een lekkende accu uit de buurt van andere voorwerpen.
- Recycle de verwijderde batterij bij een gecertificeerde batterijenrecyclingfaciliteit.

Onderhoudsschema voor steps (aanbevolen):

Door de step regelmatig te onderhouden, kunt u de step netjes en in goede staat houden, veiligheidsrisico's vermijden, storingen tot een minimum beperken, de kwaliteitsachteruitgang van de step vertragen en de levensduur van de step verlengen.

Product	Onderhoud van product	Handelingen	Elke maand	Elke 3 maanden	Elke 500 km/6 maanden	Elke 1000 km/1 jaar	Elke 10000 km/3 jaar
Banden	Slijtage van het bandenprofiel	Controleer of de band scheurtjes, vervormingen, slijtage, enz. vertoont.			✓	✓	✓
Schroeven	Schroeven voor het stuur	Draai de schroef die het stuur met de stuurpen verbindt vast (met een aanbevolen aanhaalmoment van $4,5 \pm 0,5$ N-m).		✓	✓	✓	✓
		Draai de schroef van het gaspedaal vast (met een aanbevolen aandraaimoment van $2,5 \pm 0,1$ N-m).				✓	✓
	Draai de schroef van de remhendel vast (met een aanbevolen aandraaimoment van $5,5 \pm 0,2$ N-m).						
	Schijfremklauw	Draai de schroef vast die de schijfremklauw fixeert (met een aanbevolen koppel van $7,0 \pm 0,5$ N-m).			✓	✓	✓

Product	Onderhoud van product	Handelingen	Elke maand	Elke 3 maanden	Elke 500 km/6 maanden	Elke 1000 km/1 jaar	Elke 10000 km/3 jaar
Functies	Remafstelling	Voordat je aanpast, neem een 4 mm sleutel (door de gebruiker voorbereid) en zorg ervoor dat de scooter is uitgeschakeld en niet wordt opgeladen. Trek tijdens het aanpassen aan het uiteinde van de remkabel om de kabel strak te maken. Als de rem te strak is, gebruik dan het gereedschap om de schroef los te draaien door deze tegen de klok in te draaien, trek de schijfremhevel naar buiten en draai vervolgens de schroef vast. Als de rem te los is, gebruik dan het gereedschap om de schroef los te draaien door deze tegen de klok in te draaien, duw de schijfremhevel naar voren en draai vervolgens de schroef vast.			✓	✓	✓
	Opladen	Laad de step op bij een geschikte temperatuur. De indicator op de acculader is rood als de step wordt opgeladen, en wordt groen als de step volledig is opgeladen. Het bedieningspaneel toont de oplaadstatus tegelijkertijd tijdens het laden.			✓	✓	✓
	Stuur	Draai het stuur 60 graden naar links en rechts om er zeker van te zijn dat de draaihoek juist is en het sturen vrij is van weerstand en stilstand.				✓	✓
Belangrijke onderdelen	Accumontage	Laad de step volledig op voordat u hem lange tijd ongebruikt laat, en zet hem elke 60 dagen aan om op te laden.					✓

Wielen, remblokken en andere kwetsbare onderdelen zijn versleten of beschadigd en moeten worden vervangen, neem alstublieft tijdig contact op met de after-sales service.

Neem voor een gecertificeerde servicepartner contact met ons op via service@navee.tech of bezoek <https://www.navee.tech.com>.

4. Specificaties

Product	Naam	NAVEE Elektrische Step				
	Model	NT5 Max EU	NT5 Max DE	NT5 Max IT	NT5 Max SE	NT5 Max AT
Afmetingen	Voertuig: L × W × H (mm) ^[1]	1250 × 625 × 1355				
	Na het opvouwen: L × B × H (mm)	1250 × 625 × 645				
Nettogewicht	Nettogewicht van voertuig (kg)	33,5				
	Draagvermogen (kg)	25-150				
Bestuurder	Leeftijd (jaren)	16-50				
	Langte (cm)	120-200				
Gemonteerde elektrische step	Max. snelheid (km/u)	25	20	25	20	25
	Maximale actieradius (km) ^[2]	85				
	Actieradius op topsnelheid (km) ^[3]	53	75	53	75	53
	Max. klimhoek (%)	28				
	Geschikte oppervlakken	Cement- of asfaltwegen, met taluds van minder dan 1 cm of spleten die smaller zijn dan 3 cm.				
	Bedrijfstemperatuur (°C)	-10 tot 40				
	Opslagtemperatuur (°C)	-20 tot 45				
	IP-score	IPX6				
	Oplaadtijd (u)	Ca. 5-6				
	Accu	Model	T2545-BD1A			
Nominale spanning (VDC)		46,8				
Max. laadspanning (VDC)		54,6				
Nominale energie (Wh)		561,6				
Intelligent accubeheersysteem Normale bereik van de		Bescherming tegen oververhitting, kortsluiting, overstrom, overontlading en overlading				
oplaadtemperatuur (°C)		0 tot 40				
Nominale capaciteit (Ah)		12				
Wielmotor	Nominaal vermogen (kW; W)	0,7; 700	0,5; 500	0,5; 500	0,25; 250	0,6; 600
	Model ^[4]	FY1505462450				
Acculader	Uitgangsvermogen (kW; W)	0,133; 133,77				
	Invoer	100-240 V~ 50/60 Hz				
	Nominale Uitgang (VDC; A)	54,6 ; 2,45				
Band	Voor- & achterbanden	Banden voor alle terreinen van 10,5" met hoge grip				
Bluetooth	Frequentieband(en)	2.4000 à 2.4835 GHz				
	Max. RF-vermogen (dBm)	8				

[1] Voertuighoogte: van de grond tot de bovenkant van de scooter.

[2] Maximale actieradius: gemeten bij 25 °C zonder wind, met volledig opgeladen scooter rijdend met 15 km/u op een vlakke ondergrond met 75 kg belasting.

[3] Actieradius op topsnelheid: gemeten bij 25 °C zonder wind, met volledig opgeladen scooter rijdend op maximale snelheid op vlakke ondergrond met 75 kg belasting.

[4] Gebruik uitsluitend de oplader die bij de verpakking is meegeleverd om de batterij op te laden.

Product	Naam	NAVEE Elektrische Step				
	Model	NT5 Ultra X EU	NT5 Ultra X DE	NT5 Ultra X IT	NT5 Ultra X SE	NT5 Ultra X AT
Afmetingen	Voertuig: L × W × H (mm) ^[1]	1250 × 625 × 1355				
	Na het opvouwen: L × B × H (mm)	1250 × 625 × 645				
Nettogewicht	Nettogewicht van voertuig (kg)	36,5				
Bestuurder	Draagvermogen (kg)	25-150				
	Leeftijd (jaren)	16-50				
Gemonteerde elektrische step	Langte (cm)	120-200				
	Max. snelheid (km/u)	25	20	20	20	25
	Maximale actieradius (km) ^[2]	90				
	Actieradius op topsnelheid (km) ^[3]	66	78	78	78	66
	Max. klimhoek (%)	45				
	Geschikte oppervlakken	Cement- of asfaltwegen, met taluds van minder dan 1 cm of spleten die smaller zijn dan 3 cm.				
	Bedrijfstemperatuur (°C)	-10 tot 40				
	Opslagtemperatuur (°C)	-20 tot 45				
	IP-score	IPX6				
	Oplaadtijd (u)	Ca. 7-8				
Accu	Model	T2443-BD6A				
	Nominale spanning (VDC)	46,8				
	Max. laadspanning (VDC)	54,6				
	Nominale energie (Wh)	898,56				
	Intelligent accubeheersysteem Normale bereik van de	Bescherming tegen oververhitting, kortsluiting, overstrom, overontlading en overlading				
	oplaadtemperatuur (°C)	0 tot 40				
	Nominale capaciteit (Ah)	19,2				
Wielmotor	Nominaal vermogen (kW; W)	0,5 × 2; 500 × 2	0,25 × 2; 250 × 2	0,25 × 2; 250 × 2	0,125 × 2; 125 × 2	0,3 × 2; 300 × 2
	Model ^[4]	FY1505462450				
Acculader	Uitgangsvermogen (kW; W)	0,133; 133,77				
	Invoer	100-240 V~ 50/60 Hz				
	Nominale Uitgang (VDC; A)	54,6 ; 2,45				
Band	Voor- & achterbanden	Banden voor alle terreinen van 10,5" met hoge grip				
Bluetooth	Frequentieband(en)	2.4000 à 2.4835 GHz				
	Max. RF-vermogen (dBm)	8				

[1] Voertuighoogte: van de grond tot de bovenkant van de scooter.

[2] Maximale actieradius: gemeten bij 25 °C zonder wind, met volledig opgeladen scooter rijdend met 15 km/u op een vlakke ondergrond met 75 kg belasting.

[3] Actieradius op topsnelheid: gemeten bij 25 °C zonder wind, met volledig opgeladen scooter rijdend op maximale snelheid op vlakke ondergrond met 75 kg belasting.

[4] Gebruik uitsluitend de oplader die bij de verpakking is meegeleverd om de batterij op te laden.

5. Certificeringen

Richtlijn voor de beperking van schadelijke stoffen (RoHS)

Dit product van SPACEWALKER PTE. LTD. en de bijbehorende onderdelen (kabels, snoeren, enz.) volden aan de gebruiksbepalingen van bepaalde gevaarlijke stoffen in elektrisch en elektronisch apparatuur 2011/65/EU Bijlage II en de aangepaste richtlijn (EU) 2015/863.

EU-conformiteitsverklaring



Dit apparaat voldoet aan de EU-vereisten inzake de beperking van blootstelling van de algemene bevolking aan elektromagnetische velden ter bescherming van de gezondheid. Hierbij verklaart SPACEWALKER PTE. LTD. dat de radioapparatuur type [NT5 Max EU], [NT5 Max DE], [NT5 Max IT], [NT5 Max SE], [NT5 Max AT], [NT5 Ultra X EU], [NT5 Ultra X DE], [NT5 Ultra X IT], [NT5 Ultra X SE] en [NT5 Ultra X AT] voldoet aan Richtlijn 2014/53/EU en 2006/42/EC. De volledige tekst van de EU-conformiteitsverklaring is beschikbaar op het volgende internetadres: www.naveetech.com

Conformiteitsverklaring voor de Europese Unie

Informatie over het recyclen van accu's in de Europese Unie



Batterijen of batterijenverpakkingen zijn geëtiketteerd in overeenstemming met Verordening (EU) 2023/1542 betreffende batterijen, accu's en afvalbatterijen en -accu's. De richtlijn bepaalt het kader voor de terugname en recycling van gebruikte batterijen en accu's zoals van toepassing in de Europese Unie. Dit label is van toepassing op verschillende accu's om aan te geven dat de accu niet moet worden weggegooid als deze leeg is, maar moet worden ingeleverd op basis van deze richtlijn.

Overeenkomstig Verordening (EU) 2023/1542 zijn batterijen en accu's gelabeld om aan te geven dat ze apart moeten worden ingezameld en gerecycled aan het einde van hun levensduur. Het label op de accu kan ook een chemisch symbool bevatten voor het metaal dat in de accu zit (Pb voor lood, Hg voor kwik, en Cd voor cadmium). Gebruikers van batterijen en accu's mogen deze niet weggooiden als ongesorteerd gemeentelijk afval, maar moeten het voor klanten beschikbare kader voor verzameling gebruiken voor het inleveren, recyclen en behandelen van batterijen en accu's. De medewerking van klanten is belangrijk om mogelijke effecten van batterijen en accu's op het milieu en de menselijke gezondheid als gevolg van de mogelijke aanwezigheid van schadelijke stoffen te minimaliseren.

Voordat elektrische en elektronische apparatuur (EEA) in de ingezamelde afvalstroom of afvalvoorzieningen terecht komt, moet de eindgebruiker van apparatuur die batterijen en/of accu's bevat, deze verwijderen zodat ze afzonderlijk kunnen worden ingezameld.

Richtlijn voor afgedankte elektrische en elektronische apparatuur (AEEA)



Alle producten met dit symbool behoren tot afgedankte elektrische en elektronische apparatuur (AEEA) zoals in Richtlijn 2012/19/EU) en mogen niet worden vermengd met ongesorteerd huishoudelijk afval. In plaats daarvan moet u de volksgezondheid en het milieu beschermen door uw afgedankte apparatuur in te leveren bij een van de aangewezen inzamelpunten voor de recycling van afgedankte elektrische en elektronische apparatuur, ingericht door de overheid of plaatselijke autoriteiten. Correcte verwijdering en recycling zal mogelijk negatieve gevolgen voor het milieu en de algemene gezondheid helpen voorkomen. Neem contact op met de installateur of uw plaatselijke autoriteiten voor meer informatie over de locaties en de voorwaarden van deze inzamelpunten.

Veiligheidswaarschuwing



Gevaar!
Lees voor gebruik de gebruiksaanwijzing.



WAARSCHUWING!
Lees zorgvuldig en bewaar deze voor toekomstig gebruik.



WAARSCHUWING
Heet oppervlak



Niet blootstellen aan vochtigheid



Koplamp



SMPS met een kortsluitvaste veiligheids- en scheidingstransformator (inherent of niet-inherent)



SMPS (schakelende voeding)



Miniaturzekering met vertraging, waarbij X het symbool is voor de tijd/stroomkarakteristiek zoals aangegeven in IEC 60127



WAARSCHUWING!
Alleen voor gebruik binnenshuis (voor de oplader).



WAARSCHUWING
Klasse II-apparaat



WAARSCHUWING
Scherpe randen



≤ 5000m

De oplader is bedoeld voor gebruik op hoogtes van maximaal 5000 meter.



Richtingaanwijzer



Gelijkstroom



Wisselstroom



Polariteit van de laderuitgang, centrum positief

Acculader WAARSCHUWING

1. De oplader is alleen bedoeld voor gebruik binnenshuis. Stel hem niet bloot aan regen of sneeuw.
2. Niet gebruiken voor niet-oplaadbare accu's, omdat deze oververhit kunnen raken en kunnen breken.
3. Bij verkeerd gebruik kunnen andere soorten accu's barsten en persoonlijk letsel en schade veroorzaken.
4. Accu's niet verbranden, uit elkaar halen of kortsluiten.
5. Als de prestaties van de accu's aanzienlijk afnemen, is het tijd om de accu's te vervangen.
6. Bewaar de oplader op een koele en droge plaats als deze niet in gebruik is.
7. Koppel de stroomvoorziening los voordat u de aansluitingen op de accu's maakt of verbreekt.
8. Explosiegevaar. Voorkom vlammen en vonken. Zorg voor voldoende ventilatie tijdens het opladen.
9. Tijdens het opladen dient de accu in een goed geventileerde ruimte te worden geplaatst.
10. Houd elektrische apparaten buiten het bereik van kinderen of gehandicapten. Laat hen de apparaten niet gebruiken zonder toezicht.
11. Dit apparaat is niet bedoeld voor gebruik door personen (inclusief kinderen) met verminderde lichamelijke, zintuiglijke of geestelijke vermogens of met gebrek aan ervaring en kennis, tenzij zij onder toezicht staan of instructies hebben gekregen over het gebruik van het apparaat van een persoon die verantwoordelijk is voor hun veiligheid.
12. Dit apparaat kan worden gebruikt door kinderen vanaf 8 jaar en personen met verminderde lichamelijke, zintuiglijke of geestelijke vermogens of gebrek aan ervaring en kennis, mits zij onder toezicht staan of instructie hebben gekregen over het veilige gebruik van het apparaat en de daarmee gepaard gaande gevaren begrijpen. Kinderen mogen niet met het apparaat spelen. Reiniging en onderhoud door de gebruiker mogen niet zonder toezicht door kinderen worden uitgevoerd.
13. De externe flexibele kabel of het snoer van deze transformator kan niet worden vervangen; als het snoer beschadigd is, moet de transformator worden afgedankt.
14. Als het stroom snoer beschadigd is, moet het vervangen worden door een speciaal snoer of montage die verkrijgbaar is bij de fabrikant of zijn serviceagent.

Gebruiksaanwijzingen voor opladen

1. Sluit de oplader rechtstreeks aan op een stroombron. Gebruik nooit verlengsnoeren.
2. De oplader kan alleen lithium-ion accu's opladen.
3. Vermijd omgekeerd opladen.
4. De opladers zijn niet bedoeld om auto-accu's op te laden.

 Afneembaar voedingsonderdeel

Accu WAARSCHUWING

1. Demonteer, open of vernietig secundaire cellen of accu's niet.
2. Houd accu's buiten het bereik van kinderen. Het gebruik van accu's door kinderen moet onder toezicht gebeuren. Houd vooral kleine accu's buiten het bereik van kleine kinderen.
3. Zoek onmiddellijk medisch advies als een knoopcel of accu is ingeslikt.
4. Stel knooppellen of accu's niet bloot aan hitte of vuur. Vermijd opslag in direct zonlicht.
5. Sluit een knoopcel of accu niet kort. Bewaar knooppellen of accu's niet lukraak in een doos of lade waar ze kortsluiting met elkaar kunnen veroorzaken of kunnen worden kortgesloten door andere metalen voorwerpen.
6. Haal een knoopcel of accu pas uit de originele verpakking als deze nodig is voor gebruik.
7. Stel knooppellen of accu's niet bloot aan mechanische schokken.
8. Als een knoopcel lekt, zorg er dan voor dat de vloeistof niet in contact komt met de huid of ogen. Als er toch contact is geweest, was dan het aangetaste gebied met veel water en zoek medisch advies.
9. Gebruik geen andere oplader dan die specifiek is meegeleverd voor gebruik met de apparatuur.
10. Let op de plus (+) en min (-) markeringen op de knoopcel, accu en apparatuur en zorg voor correct gebruik.
11. Gebruik geen knoopcel of accu die niet is ontworpen voor gebruik met de apparatuur.
12. Gebruik in een apparaat geen knooppellen van verschillende fabrikanten, capaciteit, grootte of type door elkaar.
13. Koop altijd de accu die door de fabrikant van het apparaat wordt aanbevolen voor het apparaat.
14. Houd knooppellen en accu's schoon en droog.
15. Veeg de knoopcel- of accupolen schoon met een schone, droge doek als ze vuil worden.
16. Secundaire cellen en accu's moeten vóór gebruik worden opgeladen. Gebruik altijd de juiste oplader en raadpleeg de instructies van de fabrikant of de apparatuurhandleiding voor de juiste oplaadinstructies.
17. Laat een accu niet langdurig opgeladen als deze niet in gebruik is.
18. Na langdurige opslag kan het nodig zijn om de knooppellen of accu's meerdere malen op te laden en te ontladen om maximale prestaties te verkrijgen.
19. Bewaar de originele productdocumentatie voor toekomstig gebruik.
20. Gebruik de knoopcel of accu alleen voor de toepassing waarvoor deze is bedoeld.
21. Verwijder de accu indien mogelijk uit het apparaat deze niet in gebruik is.
22. Gooi de accu op de juiste manier weg.

Garantieoverzicht

Dit product wordt geleverd met een beperkte garantie die fabricagefouten dekt gedurende een bepaalde periode vanaf de aankoopdatum. De garantievoorwaarden, -duur en beschikbaarheid van service kunnen per land of regio verschillen. De garantie dekt geen schade veroorzaakt door verkeerd gebruik, ongevallen of ongeautoriseerde reparaties. Raadpleeg voor gedetailleerde voorwaarden en lokale ondersteuning: <https://service.naveetech.com>.

IMPORTANTE! Por favor, leia atentamente antes de utilizar o produto e guarde-o para referência futura.

Para obter informações detalhadas sobre o manual electrónico, visite www.naveetech.com

- Este aparelho não se destina a ser utilizado por pessoas (incluindo crianças) com capacidades físicas, sensoriais ou mentais reduzidas, ou com falta de experiência e conhecimento, a não ser que lhes tenha sido dada supervisão ou instruções relativas à utilização do aparelho por uma pessoa responsável pela sua segurança. As crianças devem ser vigiadas para garantir que não brincam com o aparelho.
- Este aparelho destina-se a condutores com mais de 8 anos de idade e pessoas físicas e com menos física, capacidades sensoriais ou mentais ou falta de experiência e conhecimento, caso tenham sido supervisionadas ou lhes tenham sido dadas instruções relativas à utilização segura do aparelho e compreendam os perigos envolvidos. Crianças não devem brincar com o aparelho. A limpeza e a manutenção do utilizador não devem ser efectuadas por crianças sem supervisão.
- O aparelho deve ser utilizado apenas com a fonte de alimentação fornecida com o aparelho.
- Antes de conduzir, utilize capacetes, protetores de mão/punho, joelheiras, cotoveleiras e outros equipamentos de proteção o tempo todo.
- A trotineta deve ser utilizada apenas por uma pessoa. É obrigatório utilizar sempre calçados. Não desvie o uso do veículo. Este produto destina-se apenas a utilização pessoal e não se destina a utilização acrobática.
- O produto é recomendado para condutores com idade superior a 16 anos e idade inferior a 50 anos. As seguintes pessoas não devem utilizar este produto: (1) Pessoas sob o efeito de álcool ou drogas; (2) Pessoas com doenças ou condições médicas que impeçam esforço físico; (3) Pessoas com equilíbrio deficiente ou limitações motoras; (4) Pessoas cujo peso exceda o limite do produto; (5) Mulheres grávidas; (6) Pessoas com deficiências visuais ou auditivas.
- Respeite as leis e os regulamentos locais ao conduzir este produto. Não conduza quando proibido pelas leis locais.
- Em países ou regiões onde atualmente não existam normas ou regulamentos nacionais sobre trotinetas elétricas, deve seguir rigorosamente as instruções de segurança descritas neste manual durante a utilização do produto. O não cumprimento destas instruções pode representar riscos para a segurança das crianças. A SPACEWALKER PTE. LTD. não poderá ser responsabilizada, direta ou solidariamente, por quaisquer danos pessoais, materiais, acidentes, disputas legais ou quaisquer outras consequências adversas resultantes do uso indevido ou em violação das orientações deste manual.
- Não conduza em vias de circulação ou áreas residenciais onde sejam permitidos veículos e peões. Ao passar por um lugar designado para peões que têm direito às leis do direito de passagem, como a faixa de pedestres, por favor, saia para caminhar junto com a trotineta.
- Os preparativos necessários para a utilização deste produto incluem: assegurar que o sistema de direção está corretamente ajustado, que todos os acessórios conectados (como o sistema de dobragem) estão corretamente apertados e não estão danificados, e que os travões e as rodas estão em boas condições.
- Efectue uma inspeção básica da trotineta eléctrica antes de cada viagem. Se existirem condições anormais, tais como peças soltas, alertas de bateria fraca, pneus vazios ou desgaste excessivo dos pneus, sons estranhos, avarias e outras condições anormais, pare imediatamente a condução e peça apoio profissional.

- Os preparativos necessários para a utilização deste produto incluem: assegurar que o sistema de direção está corretamente ajustado, que todos os acessórios conectados (como o sistema de dobragem) estão corretamente apertados e não estão danificados, e que os travões e as rodas estão em boas condições.
- Garanta boa visibilidade e certifique-se de que é visível para os outros durante a utilização.
- Não conduza em condições meteorológicas adversas, visibilidade reduzida ou após um esforço físico intenso.
- Ligue o farol e diminua a velocidade quando estiver a circular no escuro.
- Certifique-se de que o suporte esteja posicionado em uma superfície plana e que o suporte para os pés do patinete esteja estável o suficiente para ficar em pé sozinho antes de deixá-lo.
- Esta trotineta eléctrica é um dispositivo de lazer. No entanto, ao entrar numa área pública, será considerado um meio de transporte e sujeito a possíveis riscos de segurança para todos os meios de transporte. Conduzir em estrita conformidade com as instruções deste manual irá protegê-lo, tanto quanto possível, a si e a outras pessoas.
- O utilizador deve verificar os limites de utilização de acordo com os regulamentos locais. a trotineta em estradas ou áreas permitidas pelos regulamentos e leis locais e estacione-a em áreas permitidas. Se os regulamentos e leis locais tiverem disposições diferentes sobre a velocidade máxima, prevalecerão os regulamentos e leis locais. Respeite e siga as regras de segurança rodoviária e do veículo.
- Respeite o direito dos peões. Tente não os assustar durante a condução, especialmente crianças. Ao conduzir atrás de peões, toque na campainha para que se vire à frente e abrande a trotineta para passar da esquerda e mantenha-a à direita a uma velocidade baixa enquanto conduz através deles (aplicável a países onde os veículos circulam à direita). Quando conduzir entre peões, mantenha a velocidade mais baixa ou saia do veículo.
- Em qualquer caso, antecipe a sua trajetória e a sua velocidade respeitando o código da estrada, o código da calçada e os mais vulneráveis. Notifique a sua presença ao aproximar-se de um peão ou ciclista quando não for visto ou ouvido. Atravesse as passagens protegidas enquanto caminha. Atravesse as passagens protegidas enquanto caminha. Evite zonas de tráfego intenso ou áreas superlotadas.
- Conduzir a alta velocidade ou a uma velocidade que não seja adequada ou apropriada para a situação (má condições climáticas, más condições de superfície ou semelhantes) pode provocar uma potencial perda de estabilidade ou perda de controlo. Para reduzir qualquer risco, deve seguir todas as instruções deste manual. Tenha cuidado ao montar e desmontar o produto, este pode cair e causar ferimentos.
- O trânsito na cidade tem muitos obstáculos para atravessar, como passeios ou degraus. Recomenda-se evitar saltos de obstáculos. É importante antecipar e adaptar a sua trajetória e velocidade às de um peão antes de atravessar estes obstáculos. Recomenda-se também que saia do veículo quando estes obstáculos se tornarem perigosos devido à sua forma, altura ou patinagem.
- Não emprestem a sua trotineta a quem não conhece as operações. Antes de emprestar a trotineta eléctrica a outras pessoas, certifique-se de que o condutor leu este manual de instruções e viu o vídeo de instruções e compreendeu o funcionamento básico. Lembre os condutores de que devem usar correctamente a protecção de segurança para garantir a segurança dos condutores.
- Contacte o seu vendedor para obter as organizações de formação adequadas.
- Em todos os casos, tome conta de si e dos outros.
- Qualquer carga presa ao guiador afeta a estabilidade do veículo.
- Não toque no sistema de travagem, pois pode causar ferimentos devido a arestas afiadas. O travão pode ficar quente durante a utilização. Não toque depois da utilização.
- O nível de pressão sonora ponderado A é inferior a 70 dB(A).

- Para uma melhor experiência de condução, recomenda-se a realização de uma manutenção regular do produto.
- Elimine quaisquer arestas afiadas causadas pela utilização.
- Os acessórios e quaisquer itens adicionais não aprovados pelo fabricante não devem ser utilizados.
- A manutenção regular do veículo é um fator de segurança.
- As porcas de auto-aperto, bem como as outras fixações de auto-aperto, podem perder sua eficiência e podem precisar ser reapertadas.
- Verifique regularmente o aperto dos vários elementos aparafusados, em especial os eixos das rodas, o sistema de dobramento, o sistema de direcção e o veio do travão.
- Não modifique nem transforme o veículo, incluindo o tubo da direcção e a manga, a haste, o mecanismo de dobramento e o travão traseiro.
- Não efetue nenhuma modificação que não esteja indicada nas instruções.
- Certifique-se de que a trotineta está desligada quando for transportada e mantida na embalagem original, se possível.
- Para evitar ferimentos acidentais, tais como choques eléctricos e incêndios causados por uma utilização inadequada, leia atentamente as instruções antes da utilização e guarde-as correctamente para referência futura.
- Utilize este produto de acordo com as instruções no Manual do Utilizador. Os utilizadores são responsáveis por quaisquer perdas ou danos resultantes da utilização inadequada deste produto.
- Durante o carregamento, desligue o veículo ou coloque-o em modo não operacional.
- Não carregue se a porta de carregamento ou o cabo de carregamento estiverem molhados. Leia atentamente este manual antes de carregar.
- Não carregue a trotineta a uma temperatura ambiente superior a 40 °C ou inferior a 0 °C
- Mantenha uma distância de segurança quando a trotineta estiver a circular numa estrada plana/sem declive. A distância de travagem aumenta em tempo de chuva.
- A absorção de choques deste produto não é regulável (se aplicável).
- O aparelho não se destina a ser utilizado em altitudes superiores a 2000 metros acima do nível do mar.
- O aparelho deve ser desligado da sua fonte de alimentação durante a manutenção e aquando da substituição de peças.
- O cabo flexível externo ou o cabo desse transformador (carregador) não pode ser substituído; se o cabo estiver danificado, o transformador (carregador) deverá ser descartado.
- Se o cabo flexível externo ou o cabo desse transformador estiver danificado, deverá ser substituído pelo fabricante, por seu agente de serviço ou por uma pessoa com qualificação semelhante para evitar riscos.
- Se o cabo de energia estiver danificado, ele deverá ser substituído pelo fabricante, por seu agente de serviço ou por uma pessoa igualmente qualificada para evitar riscos.
- Este produto contém baterias que só podem ser substituídas por técnicos qualificados ou pelo serviço pós-venda.
- Este aparelho contém baterias que só podem ser substituídas por pessoas qualificadas.
- **ALERTA:** Para recarregar a bateria, utilize apenas a unidade de alimentação removível fornecida com este

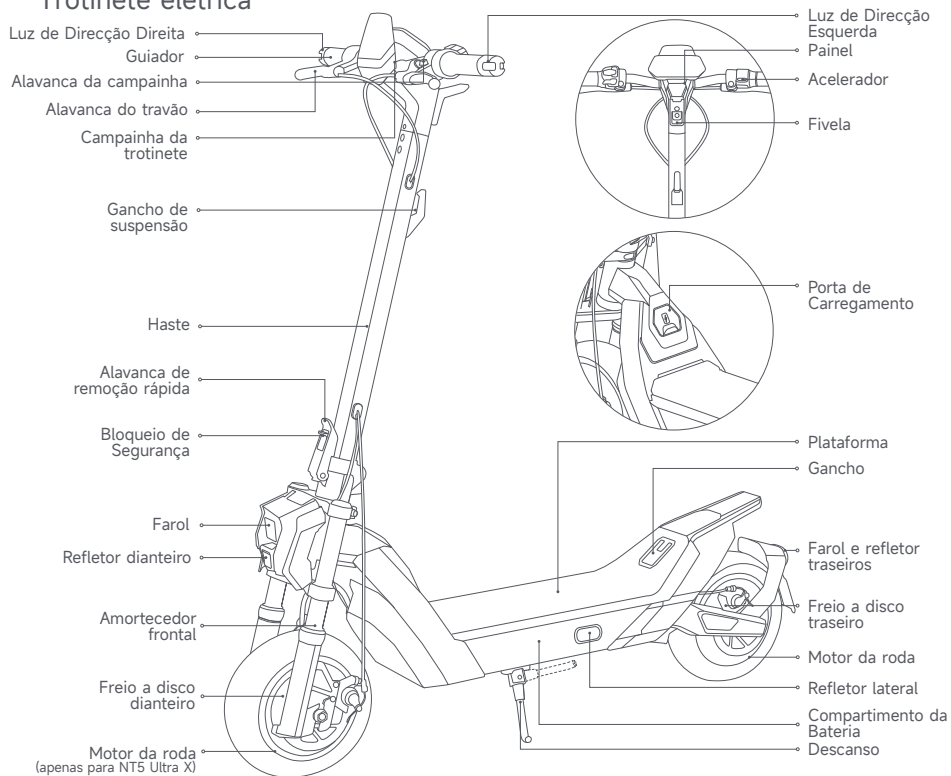
aparelho. Não utilize um carregador de bateria de qualquer outro produto. Durante o carregamento, mantenha uma distância segura dos materiais combustíveis circundantes.

- **ALERTA:** ALERTA: Não utilize qualquer bateria ou carregador de bateria de terceiros. Utilize apenas com a unidade de alimentação FY1505462450.
- **ALERTA!** Mantenha a tampa de plástico afastada de crianças para evitar asfixia.
- **AVISO!** Nunca utilize o produto na proximidade de um local com água.
- **AVISO!** Quando o produto estiver danificado, não o utilize.
- **ALERTA!** Tal como acontece com qualquer componente mecânico, um veículo está sujeito a tensões e desgaste elevados. Os vários materiais e componentes podem reagir de forma diferente ao desgaste ou à fadiga. Se a vida útil prevista para um componente tiver sido excedida, pode partir-se repentinamente, podendo, por conseguinte, provocar ferimentos no utilizador. Fendas, riscos e descoloração nas áreas sujeitas a esforços elevados indicam que o componente excedeu a sua vida útil e contacte um reparador autorizado ou especializado.

Atenção aos perigos de entalamento ou esmagamento das mãos nas seguintes posições durante a utilização:

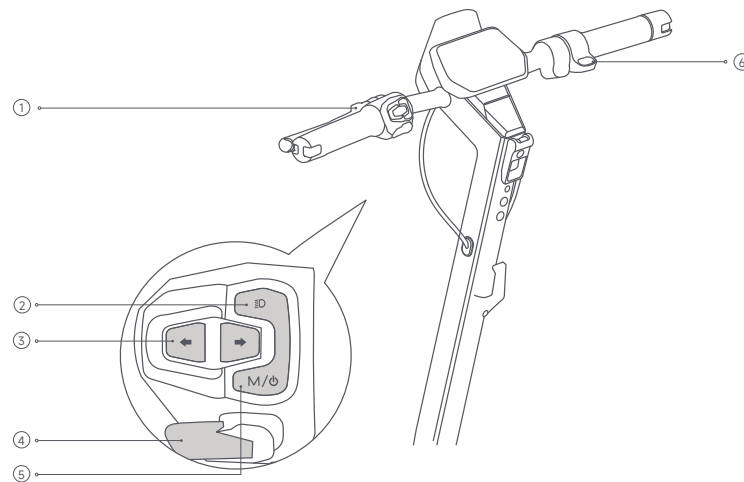
1. Entre o guiador e o eixo ao instalar o guiador.
2. Aberturas nas rodas.
3. Entre o guarda-lamas dianteiro e a Plataforma.
4. Entre a alavanca de desbloqueio rápido e o bloqueio da alavanca de desbloqueio rápido, e entre a articulação dobrável e o eixo ao dobrar ou desdobrar.
5. Entre os guarda-lamas e as rodas.

Trotinete elétrica

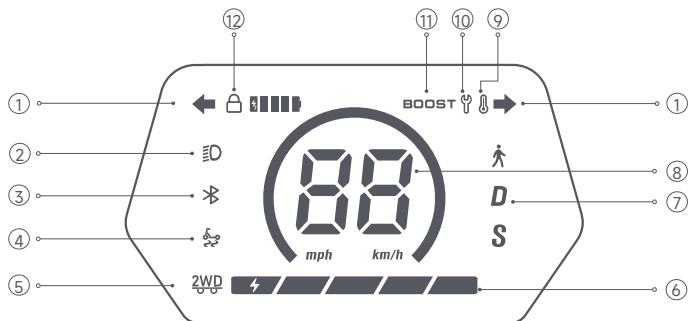


* As imagens mostradas são apenas para fins ilustrativos. O produto real pode variar.

Funções dos botões do guidão



- ① Alavanca da campainha: Pressione para tocar a campainha.
- ② Botão de luz: Com o scooter ligado, pressione para ligar ou desligar o farol e a luz traseira.
- ③ Botões de seta: Pressione para ativar a seta esquerda ou direita. O sinal correspondente e o indicador no painel começarão a piscar. Pressione novamente para desligar.
- ④ Botão BOOST: Prima para ativar a função BOOST (válida apenas no modo S) e prima novamente para sair. Nota: Recomendado apenas após o condutor dominar o controlo básico.
- Botão de ligar/desligar / Troca de modo: Pressione para ligar. Mantenha pressionado por 2 segundos para desligar. Com o scooter ligado, pressione duas vezes para alternar os modos de condução.
- ⑥ Acelerador: Pressione para acelerar (funciona quando a velocidade inicial excede 3 km/h). Nota: A velocidade de partida pode ser ajustada no app da NAVEE.



- ① Pisca esquerdo/direito: quando o ícone pisca, indica que a luz de direção correspondente está ligada.
- ② Luz: Indica que o farol está ligado.
- ③ Bluetooth: O ícone de Bluetooth permanece aceso quando o patinete está conectado com sucesso ao seu dispositivo móvel.
- ④ TCS (Sistema de Controle de Tração): Quando ativado, o TCS ajuda a evitar o deslizamento excessivo dos pneus e melhora a estabilidade geral durante acelerações, curvas ou partidas. O TCS pode ser ativado ou desativado pelo aplicativo NAVEE.
- ⑤ Tração nas duas rodas (apenas NT5 Ultra X): Indica que o modo de tração nas duas rodas está ativo. Mantenha premido o botão BOOST durante 3 segundos para o ativar ou desativar, ou controle-o através da aplicação NAVEE.
- ⑥ Nível da Bateria: O nível da bateria é exibido com 5 barras. Cada barra representa aproximadamente 20% da carga total.
- ⑦ Modos de Condução: indica o Modo Caminhada — velocidade máxima: 6 km/h. D indica o Modo Padrão. S indica o Modo Esportivo.
- ⑧ Velocímetro: Exibe a velocidade atual de condução. Mostra os códigos de erro quando uma falha é detectada e o nível da bateria durante o carregamento.
- ⑨ Alerta de Temperatura: O ícone de termômetro acende quando a temperatura da bateria está muito alta ou muito baixa. Aguarde até que a temperatura volte à faixa normal antes de usar ou carregar o patinete.
- ⑩ Indicador de Erro: Um ícone de chave inglesa vermelha contínua indica uma falha no sistema.
- ⑪ Modo BOOST: Indica que a função de reforço está ativada.
- ⑫ Trava: Este ícone se acende quando o patinete está travado. Você pode travar ou destravar o patinete usando o aplicativo NAVEE.

3. Manutenção e Cuidado

Limpeza

Antes de limpar a sua scooter:

Desligue a alimentação. Desconecte o cabo de carregamento. Certifique-se de que a tampa da porta de carregamento esteja totalmente fechada.

Para limpar:

Limpe a scooter com um pano macio e úmido. Para sujeira mais difícil, utilize uma escova macia (ex.: escova de dentes). Finalize secando todas as superfícies com um pano limpo e seco.

Evite o seguinte:

- Utilizar água sob alta pressão (isso pode danificar os componentes internos).
- Usar produtos de limpeza corrosivos (eles podem danificar as partes internas e externas).

Cuidados com a bateria

Para maximizar a vida útil da bateria:

Evite descarregar completamente a bateria. Carregue-a regularmente.

Mantenha sempre as temperaturas de uso, carregamento e armazenamento dentro dos limites especificados nas especificações técnicas.

Se não for usada por um longo período, carregue a cada 60 dias para evitar danos permanentes à bateria. Uma scooter totalmente carregada pode permanecer em modo de espera por cerca de 120–180 dias.

Avisos sobre a bateria:

- Use apenas o carregador e a bateria originais fornecidos com a sua scooter.
- Nunca utilize uma bateria ou carregador de outro modelo ou marca.
- Não carregue nem utilize a scooter se a bateria estiver danificada ou tiver sido exposta à água.
- Não tente remover a bateria por conta própria — isso requer assistência técnica especializada.

Armazenamento

Se for armazenar a scooter por um longo período:

Carregue completamente a bateria. Desligue a scooter. Armazene em local fresco e seco, longe da luz solar e da umidade.

Use a embalagem original para transporte, se estiver disponível.

Lembretes de armazenamento:

- Mantenha a scooter longe de materiais inflamáveis.
- Evite armazenar sob luz solar direta ou em ambientes muito úmidos.
- Este produto contém uma bateria de lítio. Siga as leis locais sobre transporte e armazenamento.

Aviso Ambiental

A trotinete contém uma bateria de iões de lítio recarregável e a eliminação inadequada destas baterias pode causar danos no ambiente. Siga os passos abaixo para retirar as baterias antes de eliminar a trotinete e elimine as baterias correctamente:

1. Antes de remover a bateria, certifique-se de que a trotinete está desligada e que a bateria está completamente descarregada. Desaperte os parafusos que fixam os componentes de plástico, o descanso, a tampa do compartimento da bateria e a tampa do controlador, e remova cuidadosamente cada componente.
2. Desligue o conector da bateria e depois retire as baterias. Não danifique a caixa da bateria para evitar qualquer risco de ferimentos. Não use a bateria se ela estiver danificada, apresentar um odor estranho, emitir fumaça ou ficar superaquecida. Mantenha uma bateria com vazamento longe de outros objetos.
3. Recicle a bateria removida numa instalação certificada de reciclagem de baterias.

Programa de Manutenção da Trotinete (Recomendado):

Realizar manutenção regularmente na trotinete pode ajudar a manter a trotinete limpa e em bom estado, evitar riscos de segurança, minimizar avarias, retardar a deterioração da trotinete, e prolongar a vida útil.

Item	Objecto de Verificação	Acções Específicas	Mensalmente	De 3 em 3 meses	A cada 500 km/6 meses	A cada 1000 km/1 ano	A cada 10000 km/3 anos
Pneus	Desgaste da banda de rodagem dos pneus	Verificar se o pneu está rachado, deformado, desgastado, etc.			✓	✓	✓
Parafusos	Parafusos de montagem do guiador	Aperte o parafuso que liga o conjunto do guiador ao conjunto do avanço (com o torque recomendado de $4,5 \pm 0,5 \text{ N}\cdot\text{m}$).		✓	✓	✓	✓
		Aperte o parafuso do acelerador (com o torque recomendado de $2,5 \pm 0,1 \text{ Nm}$).				✓	✓
		Aperte o parafuso da alavanca do travão (com o torque recomendado de $5,5 \pm 0,2 \text{ N}\cdot\text{m}$).				✓	✓
	Pinça de Travão de Disco	Aperte o parafuso que fixa a pinça do travão de disco (com o torque recomendado de $7,0 \pm 0,5 \text{ N}\cdot\text{m}$).			✓	✓	✓

Item	Objecto de Verificação	Acções Específicas	Mensalmente	De 3 em 3 meses	A cada 500 km/6 meses	A cada 1000 km/1 ano	A cada 10000 km/3 anos
Funções	Ajuste do travão	Antes de ajustar, pegue uma chave de 4 mm (preparada pelo utilizador) e verifique se a trotinete está desligada e não está a carregar. Durante o ajuste, puxe a extremidade do cabo do travão para apertar o cabo. Se o travão estiver muito apertado, use a ferramenta para soltar o parafuso girando-o no sentido anti-horário, puxe o balancim do disco do travão para fora e aperte o parafuso. Se o freio estiver muito solto, use a ferramenta para soltar o parafuso girando-o no sentido anti-horário, empurre o balancim do disco do travão para a frente e aperte o parafuso.			✓	✓	✓
	Carregamento	Carregar a trotinete a uma temperatura adequada. O indicador no carregador de bateria ficará vermelho quando a trotinete está a carregar, e ficará verde quando a trotinete estiver totalmente carregada. O painel de controlo mostrará o estado de carga simultaneamente durante o carregamento.			✓	✓	✓
	Guiador	Gire o guiador 60° para a esquerda e para a direita para garantir que o ângulo de viragem está correcto e que a direcção está livre de resistência e estagnação.				✓	✓
Componentes importantes	Conjunto de baterias	Carregar completamente a trotinete antes de a deixar sem ser utilizada durante muito tempo, e lembre-se de ligá-la para carregar de 60 em 60 dias.					✓

As rodas, pastilhas de freio e outras partes vulneráveis estão desgastadas ou danificadas e precisam ser substituídas, por favor, entre em contato com o serviço pós-venda a tempo. Para encontrar um prestador de serviços certificado, contacte-nos através do e-mail service@navee.tech ou visite <https://www.navee.tech>.

4. Especificações

Produto	NAVEE Electric Scooter					
	Modelo	NT5 Max EU	NT5 Max DE	NT5 Max IT	NT5 Max SE	NT5 Max AT
Dimensões	Veículo: C x L x A (mm) ^[1]	1250 x 625 x 1355				
	Após o rebatimento: C x L x A (mm)	1250 x 625 x 645				
Peso líquido	Peso líquido do veículo (kg)	33,5				
	Faixa de carga (kg)	25-150				
Condutor	Idade (anos)	16-50				
	Altura corporal (cm)	120-200				
Trotinete elétrica montada	Velocidade máxima (km/h)	25	20	25	20	25
	Autonomia máx. (km) ^[2]	85				
	Autonomia em vel. máx. (km) ^[3]	53	75	53	75	53
	Capacidade máxima de subida (%)	28				
	Superfícies adequadas	Caminhos de cimento ou asfalto, com degraus com menos de 1 cm e fissuras com menos de 3 cm.				
	Temperatura operacional (°C)	-10 a 40				
	Temperatura de armazenamento (°C)	-20 a 45				
	Classificação IP	IPX6				
	Tempo de carregamento (h)	Aprox. 5-6				
	Conjunto de baterias	Modelo	T2545-BD1A			
Tensão nominal (VDC)		46,8				
Tensão máxima de carregamento (VDC)		54,6				
Energia nominal (Wh)		561,6				
Sistema inteligente de gestão de bateria		Proteção contra sobreaquecimento, curto-circuito, sobretensão, descarga excessiva e sobrecarga				
Intervalo normal de temperatura de carregamento (°C)		0 to 40				
Motor da roda	Capacidade nominal (Ah)	12				
	Potência nominal do motor (kW; W)	0,7; 700	0,5; 500	0,5; 500	0,25; 250	0,6; 600
Carregador de bateria	Modelo ^[4]	FY1505462450				
	Potência de saída (kW; W)	0,133; 133,77				
	Tensão de entrada	100-240 V- 50/60 Hz				
	Potência nominal de saída (VDC; A)	54,6 ; 2,45				
Pneu	Pneus dianteiros e traseiros	Pneus todo-o-terreno de 10,5" com elevada aderência				
Bluetooth	Banda(s) de frequência	2.4000 à 2.4835 GHz				
	Potência máxima de RF (dBm)	8				

[1] Altura do veículo: do chão até o topo da trotinete.

[2] Autonomia máxima: medida a 25 °C sem vento, com trotinete totalmente carregada circulando a 15 km/h em superfície plana com carga de 75 kg.

[3] Autonomia em velocidade máxima: medida a 25 °C sem vento, com trotinete totalmente carregada circulando à velocidade máxima em superfície plana com carga de 75 kg.

[4] Use apenas o carregador fornecido na embalagem para recarregar a bateria.

Produto	NAVEE Electric Scooter					
	Modelo	NT5 Ultra X EU	NT5 Ultra X DE	NT5 Ultra X IT	NT5 Ultra X SE	NT5 Ultra X AT
Dimensões	Veículo: C x L x A (mm) ^[1]	1250 x 625 x 1355				
	Após o rebatimento: C x L x A (mm)	1250 x 625 x 645				
Peso líquido	Peso líquido do veículo (kg)	36,5				
Condutor	Faixa de carga (kg)	25-150				
	Idade (anos)	16-50				
	Altura corporal (cm)	120-200				
Trotinete elétrica montada	Velocidade máxima (km/h)	25	20	20	20	25
	Autonomia máx. (km) ^[2]	90				
	Autonomia em vel. máx. (km) ^[3]	66	78	78	78	66
	Capacidade máxima de subida (%)	45				
	Superfícies adequadas	Caminhos de cimento ou asfalto, com degraus com menos de 1 cm e fissuras com menos de 3 cm.				
	Temperatura operacional (°C)	-10 a 40				
	Temperatura de armazenamento (°C)	-20 a 45				
	Classificação IP	IPX6				
	Tempo de carregamento (h)	Aprox. 7-8				
	Conjunto de baterias	Modelo	T2443-BD6A			
Tensão nominal (VDC)		46,8				
Tensão máxima de carregamento (VDC)		54,6				
Energia nominal (Wh)		898,56				
Sistema inteligente de gestão de bateria		Proteção contra sobreaquecimento, curto-circuito, sobretensão, descarga excessiva e sobrecarga				
Intervalo normal de temperatura de carregamento (°C)		0 to 40				
Motor da roda	Capacidade nominal (Ah)	19,2				
	Potência nominal do motor (kW; W)	0,5 x 2; 500 x 2	0,25 x 2; 250 x 2	0,25 x 2; 250 x 2	0,125 x 2; 125 x 2	0,3 x 2; 300 x 2
Carregador de bateria	Modelo ^[4]	FY1505462450				
	Potência de saída (kW; W)	0,133; 133,77				
	Tensão de entrada	100-240 V- 50/60 Hz				
Pneu	Potência nominal de saída (VDC; A)	54,6 ; 2,45				
	Pneus dianteiros e traseiros	Pneus todo-o-terreno de 10,5" com elevada aderência				
Bluetooth	Banda(s) de frequência	2.4000 à 2.4835 GHz				
	Potência máxima de RF (dBm)	8				

[1] Altura do veículo: do chão até o topo da trotinete.

[2] Autonomia máxima: medida a 25 °C sem vento, com trotinete totalmente carregada circulando a 15 km/h em superfície plana com carga de 75 kg.

[3] Autonomia em velocidade máxima: medida a 25 °C sem vento, com trotinete totalmente carregada circulando à velocidade máxima em superfície plana com carga de 75 kg.

[4] Use apenas o carregador fornecido na embalagem para recarregar a bateria.

5. Certificações

Diretiva relativa à restrição de substâncias perigosas (RoHS)

Este produto da SPACEWALKER PTE. LTD. com as partes incluídas (cabos, cordas e entre outros) cumprem a restrição da utilização de determinadas substâncias perigosas em equipamentos elétricos e eletrônicos no Anexo II 2011/65/EU e na respetiva revisão da Diretiva (EU) 2015/863.

Declaração de conformidade da UE



Este dispositivo cumpre os requisitos da UE relativos à limitação da exposição do público geral aos campos eletromagnéticos através da proteção da saúde pública. Pelo presente, a SPACEWALKER PTE. LTD. declara que o equipamento de rádio do tipo [NT5 Max EU], [NT5 Max DE], [NT5 Max IT], [NT5 Max SE], [NT5 Max AT], [NT5 Ultra X EU], [NT5 Ultra X DE], [NT5 Ultra X IT], [NT5 Ultra X SE] e [NT5 Ultra X AT] está em conformidade com a Diretiva 2014/53/UE e 2006/42/EC. O texto completo da declaração de conformidade da UE está disponível em: www.naveetech.com

Declaração de conformidade com a União Europeia

Informações de reciclagem da bateria para a União Europeia



As baterias ou as suas embalagens estão rotuladas de acordo com o Regulamento (UE) 2023/1542 relativo a baterias, acumuladores e resíduos de baterias e acumuladores. A Diretiva determina o enquadramento para a devolução e reciclagem de baterias e acumuladores usados, tal como aplicável em toda a União Europeia. Esta identificação aplica-se a várias baterias para indicar que uma bateria não deve ser descartada, mas sim recuperada após o fim de vida útil, de acordo com a presente Diretiva.

De acordo com o Regulamento (UE) 2023/1542, as baterias e acumuladores estão rotulados para indicar que devem ser recolhidos separadamente e reciclados no fim da sua vida útil. A identificação na bateria pode incluir um símbolo químico para o metal envolvido na bateria (Pb para chumbo, Hg para mercúrio e Cd para cádmio). Os utilizadores de baterias e acumuladores não devem descartar estes produtos como resíduos urbanos indiferenciados. Devem, sim, utilizar o enquadramento de recolha para a devolução, reciclagem e tratamento de baterias e acumuladores. A participação dos clientes é importante para minimizar quaisquer potenciais efeitos das baterias e acumuladores sobre o ambiente e saúde pública, devido à potencial presença de substâncias perigosas.

Antes de colocar equipamentos elétricos e eletrónicos (EEE) no fluxo de recolha de resíduos ou em instalações de recolha de resíduos, o utilizador final de equipamentos que contenham baterias e/ou acumuladores devem remover estes produtos para uma recolha separada.

Diretiva relativa aos resíduos de equipamentos elétricos e eletrónicos (REEE)



Todos os produtos que apresentem este símbolo são considerados resíduos de equipamentos elétricos e eletrónicos (REEE, conforme a Diretiva 2012/19/UE), não devendo ser misturados com resíduos domésticos indiscriminados. Em vez disso, o utilizador deve proteger a saúde humana e o meio ambiente e entregar o respetivo equipamento num ponto de recolha designado para reciclagem de resíduos de equipamentos elétricos e eletrónicos, indicado pelo governo ou pelas autoridades locais. A correta eliminação e a reciclagem ajudarão a prevenir eventuais consequências negativas para o meio ambiente e a saúde humana. Para obter mais informações sobre os locais e os termos e condições de tais pontos de recolha, entre em contacto com a entidade responsável pela instalação ou com as autoridades locais.

Aviso de segurança



Perigo!
Leia o manual do usuário antes de usar.



ALERTA
Leia com atenção e guarde-o para referência futura.



ADVERTÊNCIA - Superfície quente



Não expor à humidade



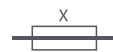
Luz



SMPS com transformador de segurança com isolamento à prova de curto-circuito (intrínseco ou não intrínseco)



SMPS (Unidade de alimentação elétrica em modo de comutação)



ALERTA
Somente para uso interno (para o carregador).



AVISO
Aparelho de classe II



ADVERTÊNCIA - Bordaduras afiadas



O carregador deve ser usado em altitudes não superiores a 5 000 m.



Luz de direção



Corrente contínua



Corrente alternada



Polaridade da saída do carregador, centro positivo

Carregador de bateria

AVISO

1. O carregador foi concebido apenas para utilização no interior. Não o exponha à chuva ou à neve.
2. Não utilizar pilhas não recarregáveis, pois podem sobreaquecer e rebentar.
3. A utilização incorreta de outros tipos de pilhas pode provocar o rebentamento das mesmas, causando ferimentos e danos pessoais.
4. Não deve incinerar, desmontar ou provocar curto-circuito nas baterias.
5. Se o desempenho das baterias diminuir substancialmente, é altura de as substituir.
6. Guarde o carregador num local fresco e seco quando não estiver a ser utilizado.
7. Desligue a alimentação antes de efetuar ou interromper as ligações à bateria.
8. Gases explosivos. Evite as chamas e as faíscas. Providencie uma ventilação adequada durante o carregamento.
9. Durante o carregamento, a bateria deve ser colocada numa área bem ventilada.
10. Mantenha os aparelhos elétricos fora do alcance de crianças ou pessoas doentes. Não os deixe utilizar os aparelhos sem supervisão.
11. Este aparelho não se destina a ser utilizado por pessoas (inclusive crianças) com capacidades físicas, sensoriais ou mentais reduzidas, ou com falta de experiência e conhecimento, a não ser que estejam a ser supervisionadas ou lhes tenham sido dadas instruções sobre o uso do aparelho por uma pessoa responsável pela sua segurança.
12. Este aparelho pode ser usado por crianças com mais de 8 anos e pessoas com capacidades físicas, sensoriais ou mentais reduzidas ou com falta de experiência ou conhecimento, caso sejam supervisionadas ou se receberem instruções relativas à utilização do aparelho de forma segura e compreenderem os riscos envolvidos. As crianças não devem brincar com o aparelho. A limpeza e a manutenção não devem ser feitas por crianças sem supervisão.
13. O cabo flexível externo ou o cabo deste transformador não podem ser substituídos; se o cabo estiver danificado, o transformador deve ser inutilizado.
14. Se o cabo de alimentação estiver danificado, deve ser substituído por um cabo especial ou por um conjunto disponível no fabricante ou no seu agente de serviço.

Instruções de carregamento

1. Ligue o carregador diretamente a uma fonte de alimentação. Nunca utilize extensões.
2. O carregador só pode carregar baterias de iões de lítio.
3. Evite o carregamento inverso.
4. Os carregadores não se destinam a carregar baterias de automóveis.

 parte de fonte de alimentação destacável

Conjunto de baterias

AVISO

1. Não deve desmontar, abrir ou fragmentar as pilhas secundárias ou as baterias.
2. Mantenha as baterias fora do alcance das crianças. A utilização das baterias por crianças deve ser supervisionada. Especialmente, mantenha as baterias pequenas fora do alcance de crianças pequenas.
3. Consulte imediatamente um médico em caso de ingestão de uma pilha ou de uma bateria.
4. Não exponha as pilhas ou baterias ao calor ou ao fogo. Evite o armazenamento sob luz solar direta.
5. Não provoque curto-circuito numa pilha ou numa bateria. Não guarde as pilhas ou baterias ao acaso numa caixa ou gaveta onde possam entrar em curto-circuito entre si ou onde um curto-circuito possa ser provocado por outros objetos metálicos.
6. Não retire uma pilha ou bateria da sua embalagem original até ser necessária para utilização.
7. Não submeter as pilhas ou baterias a choques mecânicos.
8. Em caso de derrame de uma célula, não deixe que o líquido entre em contacto com a pele ou com os olhos. Em caso de contacto, lave a zona afetada com água abundante e consulte um médico.
9. Não utilize qualquer outro carregador para além do especificamente fornecido para utilização com o equipamento.
10. Observe as marcas de mais (+) e menos (-) na pilha, na bateria e no equipamento e assegure uma utilização correta.
11. Não utilize qualquer pilha ou bateria que não tenha sido concebida para ser utilizada com o equipamento.
12. Não misture células de fabrico, capacidade, tamanho ou tipo diferentes num mesmo dispositivo.
13. Compre sempre a bateria recomendada pelo fabricante do dispositivo para o equipamento.
14. Mantenha as pilhas e baterias limpas e secas.
15. Limpe os terminais da pilha ou da bateria com um pano limpo e seco se ficarem sujos.
16. As pilhas e baterias secundárias têm de ser carregadas antes de serem utilizadas. Utilize sempre o carregador correto e consulte as instruções do fabricante ou o manual do equipamento para obter instruções de carregamento adequadas.
17. Não deixe uma bateria em carga prolongada quando não estiver a ser utilizada.
18. Após longos períodos de armazenamento, pode ser necessário carregar e descarregar as pilhas ou baterias várias vezes para obter o máximo desempenho.
19. Guarde a literatura original do produto para referência futura.
20. Utilize a pilha ou bateria apenas na aplicação para a qual foi concebida.
21. Sempre que possível, retire a bateria do equipamento quando não estiver a ser utilizada.
22. Elimine de forma adequada.

Resumo da Garantia

Este produto inclui uma garantia limitada que cobre defeitos de fabricação por um período especificado a partir da data de compra. Os termos da garantia, a duração e a disponibilidade de serviços podem variar de acordo com o país ou região. A garantia não cobre danos causados por uso indevido, acidentes ou reparos não autorizados. Para termos detalhados e suporte local, visite <https://service.naveetech.com>.

1. Instrukcje bezpieczeństwa

Tłumaczenie pierwotnego zawiadomienia

WAŻNE! Przed rozpoczęciem użytkowania produktu należy dokładnie zapoznać się z treścią instrukcji i zachować ją do wykorzystania w przyszłości.

Szczegółową instrukcję elektroniczną można znaleźć na stronie www.naveetech.com.

- Urządzenie to nie jest przeznaczone do użytku przez osoby (w tym dzieci) o ograniczonych zdolnościach fizycznych, sensorycznych lub umysłowych, a także nieposiadające doświadczenia i wiedzy, chyba że otrzymały one nadzór lub instrukcje od osoby odpowiedzialnej za ich bezpieczeństwo. Dzieci powinny znajdować się pod nadzorem, aby zapewnić, że nie będą bawić się one urządzeniem.
- Urządzenie to przeznaczone jest dla osób starszych niż 8 lat oraz osób o ograniczonych zdolnościach fizycznych, sensorycznych lub umysłowych, jak również osób nieposiadających doświadczenia i wiedzy, jeżeli otrzymały one nadzór lub instrukcje dotyczące bezpiecznego korzystania z urządzenia i rozumieją związane z tym zagrożenia. Dzieci nie powinny bawić się tym urządzeniem. Dzieci nie powinny czyścić oraz przeprowadzać konserwacji urządzenia bez nadzoru.
- Urządzenie może być używane wyłącznie z zasilaczem dostarczonym wraz z urządzeniem.
- Przed rozpoczęciem jazdy należy zawsze założyć kask, ochroniacze na dłonie/nadgarstki, nakolanniki, ochraniacze na łokcie i inny sprzęt ochronny.
- Hulajnoga może być używana tylko przez jedną osobę. Należy zawsze nosić obuwie. Nie należy zmieniać sposobu użytkowania pojazdu. Ten produkt jest przeznaczony wyłącznie do jazdy indywidualnej i nie jest przeznaczony do użytku w akrobacji.
- Produkt ten przeznaczony jest dla osób powyżej 16 roku życia i poniżej 50 roku życia. Osoby, które nie powinny korzystać z produktu: (1) osoby pod wpływem alkoholu lub środków odurzających, (2) osoby z przeciwwskazaniami do intensywnego wysiłku fizycznego z powodu choroby lub stanu zdrowia, (3) osoby z zaburzeniami równowagi lub ograniczoną sprawnością ruchową, (4) osoby, których masa ciała przekracza limit produktu, (5) kobiety w ciąży, (6) osoby z wadami wzroku lub słuchu.
- Podczas jazdy na tym urządzeniu należy przestrzegać lokalnych przepisów i regulacji prawnych. Zabrania się jeździć w miejscach, gdzie jest to zabronione przez lokalne przepisy.
- W krajach lub regionach, w których nie obowiązują obecnie krajowe normy ani przepisy dotyczące hulajnóg elektrycznych, należy bezwzględnie przestrzegać instrukcji bezpieczeństwa zawartych w niniejszej instrukcji obsługi podczas użytkowania produktu. Nieprzestrzeganie tych zaleceń może stwarzać zagrożenie dla dzieci. Firma SPACEWALKER PTE. LTD. nie ponosi odpowiedzialności, ani bezpośredniej, ani solidarnej, za jakiegokolwiek obrażenia ciała, szkody majątkowe, wypadki, spory prawne lub inne niekorzystne skutki wynikające z niewłaściwego użytkowania lub nieprzestrzegania zaleceń zawartych w niniejszym dokumencie.
- Zabrania się jeździć po pasach ruchu oraz w strefach mieszkaniowych, gdzie dozwolone są zarówno pojazdy, jak i piesi. Przejżdżając przez miejsce przeznaczone dla pieszych, którym przysługuje prawo przejścia, np. przez chodnik, należy wysiąść oraz przeprowadzić hulajnogę.
- Wymagane przygotowania do korzystania z tego produktu obejmują: upewnienie się, że układ kierowniczy jest odpowiednio wyregulowany oraz to, że wszystkie podłączone akcesoria (takie jak system składania) są odpowiednio dokręcone i nieuszkodzone oraz że hamulce i koka są w dobrym stanie.
- Przed każdym użyciem hulajnogi elektrycznej należy przeprowadzić jej podstawową kontrolę. W przypadku wystąpienia nietypowych warunków, takich jak poluzowane części, niski poziom baterii, przebiecie opony lub nadmierne zużycie opon, dziwne dźwięki, nieprawidłowe działanie i inne nietypowe zjawiska, należy natychmiast

przerwać jazdę i wezwać fachową pomoc.

- Poświęć trochę czasu na naukę podstaw praktyki, aby uniknąć poważnych wypadków, które mogą mieć miejsce w pierwszych miesiącach. Informacje na temat ćwiczeń i bezpiecznego użytkowania (można znaleźć na stronie internetowej: www.naveetech.com)
- Zapewnij sobie dobrą widoczność i upewnij się, że inni również Cię widzą podczas jazdy.
- Nie należy jeździć przy złej pogodzie, słabej widoczności lub po intensywnym wysiłku fizycznym.
- Podczas jazdy po zmroku należy włączyć światła awaryjne i zmniejszyć prędkość.
- Podczas jazdy po zmroku należy włączyć światła awaryjne i zmniejszyć prędkość.
- Przed opuszczeniem pojazdu należy upewnić się, że podpórka jest ustawiona na płaskiej powierzchni, a hulajnoga jest na tyle stabilna, że może stać samodzielnie.
- Ta hulajnoga elektryczna jest urządzeniem rekreacyjnym. Jednak w przypadku wjazdu na teren publiczny będzie ona traktowana jako środek transportu, narażony na zagrożenia bezpieczeństwa, tak jak w przypadku wszystkich innych środków transportu. Jeżdżenie w ścisłej zgodności z poniższymi instrukcjami pozwala w jak największym stopniu chronić Ciebie i innych.
- Użytkownik powinien sprawdzić ograniczenia stosowania zgodnie z lokalnymi przepisami. Jeżdżąc po drogach lub obszarach dozwolonych przez lokalne przepisy i prawa oraz parkować w miejscach dozwolonych. Jeżeli lokalne przepisy i regulacje prawne dotyczące maksymalnej prędkości zawierają odmiennie postanowienia, pierwszeństwo mają lokalne przepisy i regulacje prawne. Proszę szanować i przestrzegać zasad bezpieczeństwa ruchu drogowego i zasad dotyczących pojazdów.
- Przestrzegaj pierwszeństwa pieszych. Podczas jazdy należy starać się unikać przestraszenia innych osób, zwłaszcza dzieci. Jeśli jedziesz z tyłu za pieszymi, zadzwoń dzwonkiem, aby ich uprzedzić oraz zwolnij skuter, aby przejechać z ich lewej strony, a podczas przejeżdżania z niewielką prędkością obok nich trzymaj się prawej strony (dotyczy krajów, w których pojazdy poruszają się po prawej stronie). Podczas przejeżdżania obok pieszych należy utrzymywać jak najmniejszą prędkość lub zejść z pojazdu.
- Bez względu na okoliczności należy zawsze przewidywać tor jazdy oraz prędkość, przestrzegając przepisów ruchu drogowego, przepisów dotyczących chodników i zwracać szczególną uwagę na osoby najbardziej narażone na wypadki. Przy zbliżaniu się do pieszego lub rowerzysty należy zasignalizować swoją obecność, jeśli nie jest się widocznym lub słyszalnym. Podczas przechodzenia należy przechodzić przez chronione przejścia. Podczas przechodzenia należy przechodzić przez chronione przejścia. Należy unikać miejsc o dużym natężeniu ruchu oraz miejsc zatłoczonych.
- Jazda z dużą prędkością lub z prędkością, która nie jest odpowiednia lub adekwatna do sytuacji (złe warunki pogodowe, zła nawierzchnia itp.) może prowadzić do potencjalnej utraty stabilności lub panowania nad pojazdem. Aby zmniejszyć ryzyko, należy przestrzegać wszystkich instrukcji zawartych w niniejszym dokumencie. Podczas montażu i demontażu produktu należy zachować ostrożność, ponieważ może on spaść i spowodować obrażenia ciała.
- Ruch drogowy w mieście wiąże się z wieloma przeszkodami, takimi jak krawężniki czy schody. Zaleca się unikać skoków przez przeszkody. Ważne jest, aby przed pokonaniem tych przeszkód przewidzieć i dostosować swój tor jazdy i prędkość do toru ruchu pieszych. Zaleca się również zejście z pojazdu, gdy przeszkody te staną się niebezpieczne ze względu na ich kształt, wysokość lub poślizg.
- Nie należy pożycać hulajnogi osobom, które nie znają zasad jej obsługi. Przed wypożyczeniem hulajnogi elektrycznej innym osobom należy upewnić się, że dany użytkownik zapoznał się z niniejszą instrukcją obsługi, obejrzał film instruktażowy oraz zrozumiał podstawowe zasady działania. Należy przypomnieć tym osobom o konieczności prawidłowego noszenia środków ochrony indywidualnej tak, aby zapewnić ich bezpieczeństwo.

- Proszę skontaktować się ze sprzedawcą w celu uzyskania informacji o odpowiednich organizacjach szkoleniowych.
- Niezależnie od okoliczności należy zawsze dbać o siebie i innych.
- Wszelkie obciążenia przymocowane do kierownicy wpływają na stabilność pojazdu.
- Nie należy dotykać układu hamulcowego, ponieważ ostre krawędzie mogą spowodować urazy ciała. Podczas użytkowania hamulec może się nagrzewać. Nie dotykać po użyciu.
- Emisyjny poziom ciśnienia akustycznego skorygowany charakterystyką A jest mniejszy niż 70 dB(A).
- W celu zapewnienia lepszych wrażeń z jazdy zaleca się przeprowadzanie regularnej konserwacji produktu.
- Należy usuwać wszelkie ostre krawędzie powstałe w wyniku użytkowania.
- Nie należy stosować akcesoriów i części dodatkowych niezatwierdzonych przez producenta.
- Regularna konserwacja pojazdu jest ważnym czynnikiem bezpieczeństwa.
- Nakrętki oraz inne elementy samokontrujące mogą stracić swoją skuteczność i mogą wymagać ponownego dokręcenia.
- Regularnie sprawdzać dokręcenie różnych elementów śrubowych, w szczególności osi kół, układu składania, układu kierowniczego i wału hamulcowego.
- Nie należy modyfikować ani przerabiać pojazdu, w tym rury i tulei kierownicy, wspornika kierownicy, mechanizmu składania i hamulca tylnego.
- Nie należy wprowadzać żadnych modyfikacji, które nie zostały opisane w instrukcji.
- Należy upewnić się, że podczas transportu hulajnoga jest wyłączona i w miarę możliwości przechowywana w oryginalnym opakowaniu.
- Aby uniknąć przypadkowych obrażeń, takich jak porażenie prądem elektrycznym lub pożar, spowodowanych niewłaściwym użytkowaniem, przed rozpoczęciem użytkowania należy uważnie przeczytać instrukcję i zachować ją do wykorzystania w przyszłości.
- Produkt ten należy używać zgodnie z niniejszą instrukcją. Użytkownicy ponoszą odpowiedzialność za wszelkie straty lub szkody wynikające z niewłaściwego użytkowania tego produktu.
- Podczas ładowania wyłącz pojazd lub ustaw go w odpowiednim trybie innym niż roboczy.
- Nie ładować baterii, jeśli port ładowania lub kabel do ładowania jest mokry. Przed rozpoczęciem ładowania należy dokładnie przeczytać niniejszą instrukcję.
- Nie należy ładować hulajnogi w temperaturze otoczenia powyżej 40° C lub poniżej 0° C.
- Zachowaj bezpieczną odległość, gdy hulajnoga porusza się po równej drodze bez nachylenia. Droga hamowania ulega wydłużeniu na mokrej nawierzchni.
- Ten produkt nie jest wyposażony w regulowany układ amortyzacji (jeśli dotyczy).
- Urządzenie nie jest przeznaczone do użytku na wysokości większej niż 2000 m nad poziomem morza.
- Podczas serwisowania i wymiany części urządzenie powinno być odłączone od źródła zasilania.
- Zewnętrzny elastyczny kabel lub przewód transformatora (ładowarki) nie może być wymieniony; jeśli przewód zostanie uszkodzony, transformator (ładowarkę) należy zutilizować.
- Jeśli zewnętrzny elastyczny kabel lub przewód transformatora jest uszkodzony, powinien on zostać wymieniony przez producenta, jego przedstawiciela serwisowego lub podobnie wykwalifikowaną osobę w celu uniknięcia zagrożenia.
- Jeśli przewód zasilający jest uszkodzony, musi on zostać wymieniony przez producenta, jego przedstawiciela

serwisowego lub podobnie wykwalifikowane osoby w celu uniknięcia zagrożenia.

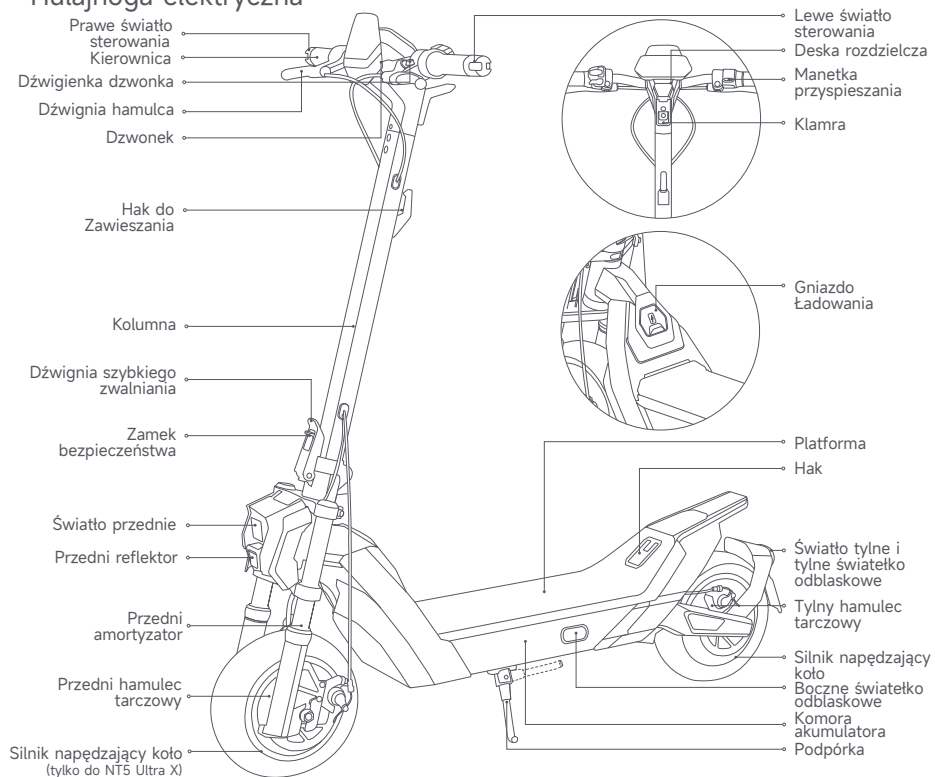
- Produkt ten zawiera baterie, które mogą być wymienione tylko przez wykwalifikowanych techników lub serwis posprzedażowy.
- Urządzenie to zawiera baterie, które mogą być wymieniane wyłącznie przez wykwalifikowane osoby.
- **OSTRZEŻENIE:** Do ładowania baterii należy używać wyłącznie odłączalnego zasilacza dostarczonego wraz z urządzeniem. Nie należy używać ładowarki pochodzącej z innego produktu. Podczas ładowania należy zachować bezpieczną odległość od otaczających materiałów palnych.
- **OSTRZEŻENIE:** Nie należy używać baterii ani ładowarek innych firm. Stosować tylko z zasilaczem FY1505462450.
- **OSTRZEŻENIE!** Proszę trzymać plastikową osłonę z dala od dzieci, aby uniknąć przypadków uduszenia.
- **OSTRZEŻENIE!** Nigdy nie używać tego produktu w pobliżu źródła wody.
- **OSTRZEŻENIE!** W przypadku uszkodzenia produktu należy zaprzestać jego używania.
- **OSTRZEŻENIE!** Jak każdy element mechaniczny, pojazd ten narażony jest na duże naprężenia i zużycie. Poszczególne materiały i elementy mogą różnie reagować na zużycie lub zmęczenie materiału. Jeśli przekroczony zostanie oczekiwany okres eksploatacji danego elementu, może on ulec nagłemu uszkodzeniu, co grozi obrażeniami ciała użytkownika. Pęknięcia, zarysowania i odbarwienia w miejscach narażonych na duże naprężenia wskazują na przekroczenie okresu eksploatacji elementu i takim wypadku należy skontaktować się z autoryzowanym lub wyspecjalizowanym warsztatem naprawczym.

Podczas użytkowania uważaj na ryzyko zmiążdżenia dłoni i następujące miejsca, w których mogą zostać pochwyczone:

1. Pomiędzy kierownicą a mostkiem podczas montażu kierownicy
2. Otwory na kołach
3. Pomiędzy przednim błotnikiem a podestem
4. Pomiędzy dźwignią szybkiego zwalniania a jej blokadą oraz pomiędzy składanym złączem a mostkiem podczas składania lub rozkładania
5. Pomiędzy błotnikami a kołami

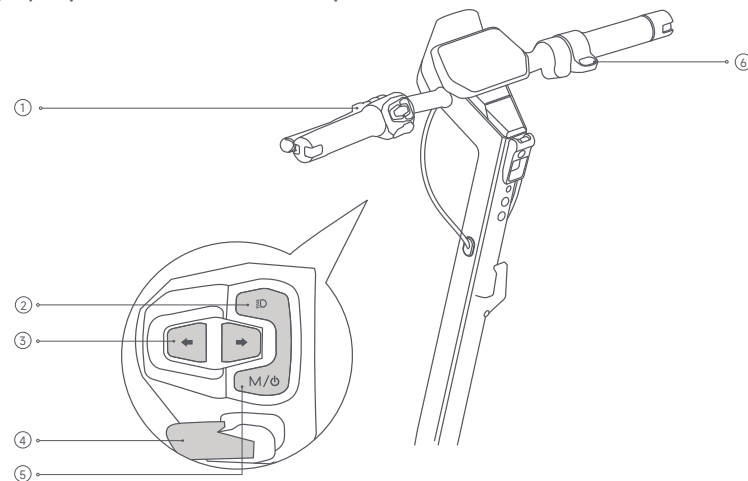
2. Przegląd produktu

Hulajnoga elektryczna

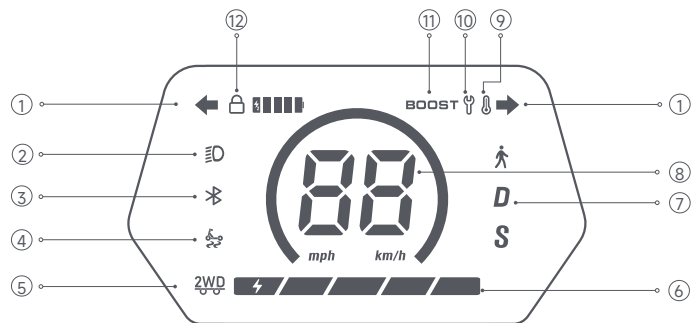


* Pokazane zdjęcia mają charakter wyłącznie ilustracyjny. Rzeczywisty produkt może się różnić.

Funkcje przycisków na kierownicy



- 1 Dzwignia dzwonek: Naciśnij, aby uruchomić dzwonek.
- 2 Przycisk światel: Gdy hulajnoga jest włączona, naciśnij, aby włączyć lub wyłączyć reflektor i światło tylne.
- 3 Przyciski kierunkowskazów: Naciśnij, aby włączyć lewy/prawy kierunkowskaz. Odpowiedni sygnał i wskaźnik na wyświetlaczu zaczną migać. Naciśnij ponownie, aby wyłączyć.
- 4 Przycisk BOOST: Naciśnij, aby aktywować funkcję BOOST (działa tylko w trybie S), i naciśnij ponownie, aby zakończyć.
Uwaga: Zalecane tylko po opanowaniu podstawowej obsługi przez użytkownika.
- 5 Przycisk zasilania / Zmiana trybu: Naciśnij, aby włączyć. Przytrzymaj przez 2 sekundy, aby wyłączyć. Po włączeniu, naciśnij dwukrotnie, aby zmienić tryb jazdy.
- 6 Przyspieszacz: Naciśnij, aby przyspieszyć (działa, gdy prędkość startowa przekracza 3 km/h).
Uwaga: Prędkość startową można dostosować w aplikacji NAVEE.



- ① Kierunkowskaz lewy/prawy: Gdy ikona miga, oznacza to, że włączono odpowiedni kierunkowskaz.
- ② Światło: Informuje, że światło przednie jest włączone.
- ③ Bluetooth: Ikona Bluetooth świeci się, gdy hulajnoga jest poprawnie połączona z urządzeniem mobilnym.
- ④ TCS (System kontroli trakcji): Po aktywacji funkcja TCS pomaga zapobiegać nadmiernemu poślizgowi kół i poprawia ogólną stabilność podczas ruszania, przyspieszania lub skręcania. TCS można włączać i wyłączać za pomocą aplikacji NAVEE.
- ⑤ Napęd na dwa koła (tylko NT5 Ultra X): Wskazuje, że tryb napędu na dwa koła jest aktywny. Przytrzymaj przycisk BOOST przez 3 sekundy, aby go włączyć lub wyłączyć, albo steruj nim za pomocą aplikacji NAVEE.
- ⑥ Poziom naładowania: Poziom naładowania baterii jest przedstawiony za pomocą 5 kresek. Każda kreska oznacza około 20% pełnego naładowania.
- ⑦ Tryby jazdy: \mathbb{A} oznacza tryb spacerowy — maksymalna prędkość: 6 km/h. D oznacza tryb standardowy. S oznacza tryb sportowy.
- ⑧ Prędkościomierz: Wyświetla aktualną prędkość jazdy. Pokazuje kody błędów w przypadku wykrycia usterki oraz poziom naładowania baterii podczas ładowania.
- ⑨ Ostrzeżenie o temperaturze: Ikona termometru świeci się, gdy temperatura baterii jest zbyt wysoka lub zbyt niska. Poczekaj, aż temperatura wróci do normalnego zakresu przed użyciem lub ładowaniem hulajnogi.
- ⑩ Wskaźnik błęd: Stała czerwona ikona klucza oznacza usterkę systemu.
- ⑪ Tryb BOOST: Wskazuje, że funkcja przyspieszenia jest aktywna.
- ⑫ Blokada: Ta ikona świeci się, gdy hulajnoga jest zablokowana. Można ją zablokować lub odblokować za pomocą aplikacji NAVEE.

3. Konserwacja i pielęgnacja

Czyszczenie

Przed czyszczeniem hulajnogi:

Wyłącz zasilanie. Odłącz kabel ładujący. Upewnij się, że pokrywa portu ładowania jest całkowicie zamknięta.

Czyszczenie:

Wytrzyj hulajnogę miękką, wilgotną ściereczką. W przypadku uporczywego brudu użyj miękkiej szczoteczki (np. szczoteczki do zębów). Na koniec osusz wszystkie powierzchnie czystą, suchą ściereczką.

Unikaj następujących czynności:

- Używania wody pod wysokim ciśnieniem (może to uszkodzić wewnętrzne komponenty).
- Stosowania środków czyszczących o właściwościach żrących (mogą uszkodzić zarówno elementy zewnętrzne, jak i wewnętrzne).

Pielęgnacja baterii

Aby maksymalnie wydłużyć żywotność baterii:

Unikaj całkowitego rozładowania baterii. Ładuj ją regularnie.

Zawsze utrzymuj temperatury użytkowania, ładowania i przechowywania w granicach podanych w specyfikacji.

Jeśli hulajnoga nie jest używana przez dłuższy czas, ładuj ją co 60 dni, aby zapobiec trwałemu uszkodzeniu baterii. W pełni naładowana hulajnoga może pozostawać w trybie czuwania przez około 120–180 dni.

Ostrzeżenia dotyczące baterii:

- Używaj wyłącznie oryginalnej ładowarki i baterii dostarczonych z hulajnogą.
- Nigdy nie używaj baterii ani ładowarki z innego modelu lub marki.
- Nie ładuj ani nie używaj hulajnogi, jeśli bateria jest uszkodzona lub miała kontakt z wodą.
- Nie próbuj samodzielnie wyjmować baterii — wymaga to serwisu profesjonalnego.

Przechowywanie

Jeśli hulajnoga ma być przechowywana przez dłuższy czas:

Naładuj baterię do pełna. Wyłącz hulajnogę. Przechowuj ją w chłodnym, suchym miejscu, z dala od słońca i wilgoci.

Użyj oryginalnego opakowania do transportu, jeśli jest dostępne.

Wskazówki dotyczące przechowywania:

- Trzymaj hulajnogę z dala od materiałów łatwopalnych.
- Unikaj przechowywania w bezpośrednim świetle słonecznym lub w bardzo wilgotnym środowisku.
- Produkt zawiera baterię litową. Przestrzegaj lokalnych przepisów dotyczących transportu i przechowywania.

Informacja środowiskowa

Hulajnoga zawiera zestaw akumulatorów litowo-jonowych, który można ponownie ładować, a jego niewłaściwe usuwanie może być szkodliwe dla środowiska. Aby zagwarantować prawidłową utylizację hulajnogi proszę wykonać poniższe czynności:

- Przed wyjęciem akumulatora upewnij się, że hulajnoga jest wyłączona, a akumulator całkowicie rozładowany. Odkręć śruby mocujące elementy plastikowe, podpórkę, pokrywę komory akumulatora oraz pokrywę kontrolera, a następnie ostrożnie usuń każdy element.
- Odłącz złącze baterii, a następnie wyjąć baterie. Nie uszkadzać obudowy baterii, aby uniknąć ryzyka obrażeń. Nie należy używać baterii, jeśli jest uszkodzona, ma dziwny zapach, wydziela dym lub ulega przegrzaniu. Nieszczelną baterię należy trzymać z dala od innych przedmiotów.
- Oddaj zużytą baterię do certyfikowanego punktu recyklingu baterii.

Harmonogram konserwacji hulajnogi (zalecany):

Regularna konserwacja hulajnogi może pomóc utrzymać ją w czystości i dobrym stanie, uniknąć zagrożeń bezpieczeństwa, zminimalizować awarie, spowolnić proces niszczenia i wydłużyć jej żywotność.

Pozycja	Serwisowany przedmiot	Działania	Co miesiąc	Co 3 miesiące	Co 500 km/6 miesięcy	Co 1000 km/1 rok	Co 10000 km/3 lata
Opony	Zużycie bieżnika opony	Sprawdź, czy opona nie jest popękana, zdeformowana, zużyta itp.			✓	✓	✓
Śruby	Śruby zespołu kierownicy	Dokręć śrubę łączącą zespół kierownicy z zespołem wspornika (z zalecanym momentem 4,5 ± 0,5 N-m).		✓	✓	✓	✓
		Dokręć śrubę akceleratora (z zalecanym momentem 2,5 ± 0,1 N-m).				✓	✓
		Dokręć śrubę dźwigni hamulca (z zalecanym momentem 5,5 ± 0,2 N-m).				✓	✓
	Zacisk hamulca tarczowego	okręć śrubę mocującą zacisk hamulca tarczowego (z zalecanym momentem 7,0 ± 0,5 N-m).			✓	✓	✓

Pozycja	Serwisowany przedmiot	Działania	Co miesiąc	Co 3 miesiące	Co 500 km/6 miesięcy	Co 1000 km/1 rok	Co 10000 km/3 lata
Funkcje	Regulacja hamulca	Przed przystąpieniem do regulacji przygotuj klucz 4 mm (do przygotowania przez użytkownika) i upewnij się, że hulajnoga jest wyłączona i nie ładuje się. Podczas regulacji pociągnij koniec linki hamulcowej, aby ją naprężyć. Jeśli hamulec jest zbyt dociśnięty, za pomocą narzędzia poluzuj śrubę, przekręcając ją w lewo, pociągnij wahacz hamulca tarczowego na zewnątrz, a następnie dokręć śrubę. Jeśli hamulec jest za luźny, za pomocą narzędzia poluzuj śrubę, przekręcając ją w lewo, popchnij wahacz hamulca tarczowego do przodu, a następnie dokręć śrubę.			✓	✓	✓
	Ładowanie	Naładuj hulajnogę w odpowiedniej temperaturze. Wskaźnik na ładowarce jest czerwony, gdy hulajnoga się ładuje i zmienia się na zielony, gdy jest ona w pełni naładowana. Podczas ładowania panel sterowania pokazywał będzie stan naładowania w czasie rzeczywistym.			✓	✓	✓
	Kierownica	Obróć kierownicę o 60° w lewo i w prawo, aby upewnić się, że kąt skrętu jest prawidłowy, a układ kierowniczy jest wolny od oporów i zastojów.				✓	✓
Ważne elementy	Montaż akumulatora	Przed odstawieniem hulajnogi na dłuższy czas naładuj ją do pełna, a co 60 dni włączaj ją w celu naładowania.					✓

Koła, klocki hamulcowe i inne wrażliwe części mogą ulec zużyciu lub uszkodzeniu, skontaktuj się z serwisem posprzedażnym w odpowiednim momencie.

Aby znaleźć certyfikowany punkt serwisowy, skontaktuj się z nami pod adresem service@navee.tech lub odwiedź stronę <https://www.navee.tech.com>.

4. Dane techniczne

Produkt	Nazwa	Hulajnoga Elektryczna NAVEE				
	Model	NT5 Max EU	NT5 Max DE	NT5 Max IT	NT5 Max SE	NT5 Max AT
Wymiary	Pojazd: Dł. × szer. × wys. (mm) ^[1]	1250 × 625 × 1355				
	Po złożeniu: Dł. × szer. × wys. (mm)	1250 × 625 × 645				
Masa netto	Masa netto pojazdu (kg)	33,5				
Użytkownik	Zakres obciążenia (kg)	25-150				
	Wiek (w latach)	16-50				
	Wzrost użytkownika (cm)	120-200				
Zmontowana hulajnoga elektryczna	Prędkość maks. (km/h)	25	20	25	20	25
	Maks. zasięg (km) ^[2]	85				
	Zasięg przy maks. prędkości (km) ^[3]	53	75	53	75	53
	Maks. kąt podjazdu (%)	28				
	Zalecane nawierzchnie	Drogi cementowe lub asfaltowe z nierównościami mniejszymi niż 1 cm lub pęknięciami węższymi niż 3 cm				
	Temperatura użytkowania (°C)	-10 to 40				
	Temperatura przechowywania (°C)	-20 to 45				
	Stopień ochrony IP	IPX6				
	Czas ładowania (godz.)	ok. 5-6				
	Akumulator	Model	T2545-BD1A			
Napięcie znamionowe (VDC)		46,8				
Maks. napięcie ładowania (V DC)		54,6				
Energia nominalna (Wh)		561,6				
Inteligentny system zarządzania akumulatorem		Zabezpieczenie przed przegrzaniem, zwarcim, prądem przetężeniowym, nadmiernym rozładowaniem i przeladowaniem				
Normalny zakres temperatur ładowania (°C)		0 to 40				
Pojemność nominalna (Ah)		12				
Silnik napędzający koto	Moc nominalna (kW; W)	0,7; 700	0,5; 500	0,5; 500	0,25; 250	0,6; 600
	Model ^[4]	FY1505462450				
Ładowarka do akumulatora	Moc wyjściowa (kW; W)	0,133; 133,77				
	Napięcie wejściowe	100-240 V~ 50/60 Hz				
	Znamionowa moc wyjściowa (VDC; A)	54,6 ; 2,45				
Opona	Przednie i tylne opony	Opony terenowe 10,5 cala o wysokiej przyczepności				
Bluetooth	Pasma częstotliwości (s)	2.4000 - 2.4835 GHz				
	Moc maks. RF (mW)	8				

[1] Wysokość pojazdu: od podłoża do najwyższego punktu hulajnogi.

[2] Maksymalny zasięg: zmierzony przy bezwietrznej pogodzie i temperaturze 25 °C, w pełni naładowana hulajnoga porusza się ze stałą prędkością 15 km/h po płaskiej nawierzchni z obciążeniem 75 kg.

[3] Zasięg przy maksymalnej prędkości: zmierzony przy bezwietrznych warunkach i temperaturze 25 °C, w pełni naładowana hulajnoga jedzie z maksymalną prędkością po płaskiej nawierzchni z obciążeniem 75 kg.

[4] Do ładowania akumulatora używaj wyłącznie ładowarki dołączonej do zestawu.

Produkt	Nazwa	Hulajnoga Elektryczna NAVEE				
	Model	NT5 Ultra X EU	NT5 Ultra X DE	NT5 Ultra X IT	NT5 Ultra X SE	NT5 Ultra X AT
Wymiary	Pojazd: Dł. × szer. × wys. (mm) ^[1]	1250 × 625 × 1355				
	Po złożeniu: Dł. × szer. × wys. (mm)	1250 × 625 × 645				
Masa netto	Masa netto pojazdu (kg)	36,5				
Użytkownik	Zakres obciążenia (kg)	25-150				
	Wiek (w latach)	16-50				
	Wzrost użytkownika (cm)	120-200				
Zmontowana hulajnoga elektryczna	Prędkość maks. (km/h)	25	20	20	20	25
	Maks. zasięg (km) ^[2]	90				
	Zasięg przy maks. prędkości (km) ^[3]	66	78	78	78	66
	Maks. kąt podjazdu (%)	45				
	Zalecane nawierzchnie	Drogi cementowe lub asfaltowe z nierównościami mniejszymi niż 1 cm lub pęknięciami węższymi niż 3 cm				
	Temperatura użytkowania (°C)	-10 to 40				
	Temperatura przechowywania (°C)	-20 to 45				
	Stopień ochrony IP	IPX6				
	Czas ładowania (godz.)	ok. 7-8				
	Akumulator	Model	T2443-BD6A			
Napięcie znamionowe (VDC)		46,8				
Maks. napięcie ładowania (V DC)		54,6				
Energia nominalna (Wh)		898,56				
Inteligentny system zarządzania akumulatorem		Zabezpieczenie przed przegrzaniem, zwarcim, prądem przetężeniowym, nadmiernym rozładowaniem i przeladowaniem				
Normalny zakres temperatur ładowania (°C)		0 to 40				
Pojemność nominalna (Ah)		19,2				
Silnik napędzający koto	Moc nominalna (kW; W)	0,5 × 2; 500 × 2	0,25 × 2; 250 × 2	0,25 × 2; 250 × 2	0,125 × 2; 125 × 2	0,3 × 2; 300 × 2
	Model ^[4]	FY1505462450				
Ładowarka do akumulatora	Moc wyjściowa (kW; W)	0,133; 133,77				
	Napięcie wejściowe	100-240 V~ 50/60 Hz				
	Znamionowa moc wyjściowa (VDC; A)	54,6 ; 2,45				
	Opona	Przednie i tylne opony				
Bluetooth	Pasma częstotliwości (s)	2.4000 - 2.4835 GHz				
	Moc maks. RF (mW)	8				

[1] Wysokość pojazdu: od podłoża do najwyższego punktu hulajnogi.

[2] Maksymalny zasięg: zmierzony przy bezwietrznej pogodzie i temperaturze 25 °C, w pełni naładowana hulajnoga porusza się ze stałą prędkością 15 km/h po płaskiej nawierzchni z obciążeniem 75 kg.

[3] Zasięg przy maksymalnej prędkości: zmierzony przy bezwietrznych warunkach i temperaturze 25 °C, w pełni naładowana hulajnoga jedzie z maksymalną prędkością po płaskiej nawierzchni z obciążeniem 75 kg.

[4] Do ładowania akumulatora używaj wyłącznie ładowarki dołączonej do zestawu.

5. Certyfikaty

Dyrektywa w sprawie ograniczenia stosowania substancji niebezpiecznych (RoHS)

Produkt SPACEWALKER PTE. LTD. wraz z częściami (kable, przewody itp.) spełnia wymagania normy 2011/65/UE, aneks II, w sprawie ograniczenia wykorzystania niektórych substancji niebezpiecznych w urządzeniach elektrycznych i elektronicznych oraz poprawki w postaci dyrektywy (UE) 2015/863.

Deklaracja zgodności UE



Niniejsze urządzenie spełnia wymogi UE dotyczące ograniczenia ekspozycji ogółu społeczeństwa na pola elektromagnetyczne w celu ochrony zdrowia. Niniejszym firma SPACEWALKER PTE. LTD. oświadcza, że urządzenie radiowe typu [NT5 Max EU], [NT5 Max DE], [NT5 Max IT], [NT5 Max SE], [NT5 Max AT], [NT5 Ultra X EU], [NT5 Ultra X DE], [NT5 Ultra X IT], [NT5 Ultra X SE] i [NT5 Ultra X AT] jest zgodne z dyrektywą 2014/53/UE i 2006/42/KE. Pełny tekst deklaracji zgodności UE jest dostępny na następującej stronie internetowej: www.naveetech.com

Deklaracja zgodności UE

Informacje na temat recyklingu akumulatorów w Unii Europejskiej



Baterie lub ich opakowania są oznakowane zgodnie z Rozporządzeniem (UE) 2023/1542 dotyczącym baterii, akumulatorów oraz zużytych baterii i akumulatorów. Dyrektywa ta określa ramy prawne dotyczące zwrotu i recyklingu zużytych baterii i akumulatorów, obowiązujące w całej Unii Europejskiej. Etykieta ta jest umieszczana na różnych bateriach/akumulatorach w celu wskazania, że zgodnie z niniejszą dyrektywą po zakończeniu eksploatacji nie powinny być wyrzucane, tylko przekazywane do odpowiedniego punktu.

Zgodnie z Rozporządzeniem (UE) 2023/1542, baterie i akumulatory są oznakowane w celu wskazania, że należy je zbierać oddzielnie i poddawać recyklingowi po zakończeniu ich eksploatacji. Etykieta na baterii/akumulatorze może również zawierać symbol chemiczny użytego metalu (Pb — ołów, Hg — rtęć i Cd — kadm). Użytkownicy baterii i akumulatorów nie mogą ich wyrzucać razem z niesortowanymi odpadami komunalnymi. Są zobowiązani do korzystania ze specjalnych punktów zbiórki baterii i akumulatorów, przeznaczonych dla klientów (dotyczy to zwrotu, recyklingu i utylizacji). Takie postępowanie pozwala zminimalizować negatywny wpływ baterii i akumulatorów na środowisko oraz zdrowie ludzi w związku z potencjalną obecnością substancji niebezpiecznych.

Przed przekazaniem sprzętu elektrycznego i elektronicznego (EEE) do zbiórki lub punktu zbierania odpadów końcowy użytkownik sprzętu zawierającego baterie i/lub akumulatory musi usunąć te baterie i akumulatory i oddać je do odpowiedniego punktu zbiórki.

Dyrektywa w sprawie zużytego sprzętu elektrycznego i elektronicznego (WEEE)



Wszystkie produkty oznaczone tym symbolem są uznane za odpady sprzętu elektrycznego i elektronicznego (WEEE zgodnie z Dyrektywą 2012/19/UE) i nie mogą być wyrzucane po zakończeniu okresu użytkowania wraz z innymi odpadami. W celu ochrony zdrowia ludzi oraz środowiska naturalnego należy przekazać zużyty sprzęt do wyznaczonego punktu utylizacji wyznaczonego przez instytucje rządowe lub lokalne.

Prawidłowe usunięcie zużytego produktu pomaga w zapobieganiu potencjalnym negatywnym skutkom oddziaływania na środowisko naturalne i zdrowie ludzi. Więcej informacji można uzyskać w urzędzie lokalnym lub od instalatora.

Ostrzeżenie dotyczące bezpieczeństwa



Zagrożenie!
Przed użyciem przeczytać instrukcję obsługi.



OSTRZEŻENIE!
Tylko do użytku wewnętrznego (dla ładowarki).



OSTRZEŻENIE!
Przeczytać uważnie i zachować na przyszłość.



OSTRZEŻENIE
Urządzenie klasy II



UWAGA
Gorąca powierzchnia



UWAGA
Ostre krawędzie



Nie wystawiać na działanie wilgoci



Ładowarka przeznaczona jest do użytku na wysokościach nieprzekraczających 5000 m.



Światła



Kierunkowskazy



Zasilacz impulsowy wyposażony w izolowany transformator z zabezpieczeniem przeciwzwarciowym



Prąd stały



Zasilacz impulsowy



Prąd przemienny



Miniaturowa wkładka bezpiecznikowa z opóźnieniem czasowym, gdzie X jest symbolem charakterystyki czasowo-prądowej zgodnie z normą IEC 60127



Biegunowość wyjścia ładowarki, środek dodatni

Ładowarka do akumulatora

OSTRZEŻENIE

1. Ładowarka jest przeznaczona wyłącznie do użytku w pomieszczeniach. Nie wolno jej narażać na działanie deszczu lub śniegu.
2. Nie wolno używać baterii bez możliwości ładowania, ponieważ mogą się one przegrzać i uszkodzić.
3. Niewłaściwe użycie akumulatorów innego typu może spowodować ich wybuch, a w konsekwencji obrażenia ciała i szkody na mieniu.
4. Nie wolno spalać, demontować ani zwierać akumulatorów.
5. Znaczny spadek wydajności akumulatora oznacza, że należy go wymienić.
6. Nieużywaną ładowarkę należy przechowywać w chłodnym i suchym miejscu.
7. Przed wykonaniem lub przerwaniem połączeń z akumulatorem należy odłączyć zasilanie.
8. Gazy wybuchowe. Należy zapobiegać powstawaniu płomieni i iskiei. Podczas ładowania należy zapewnić odpowiednią wentylację.
9. Podczas ładowania akumulator musi być umieszczony w dobrze wentylowanym pomieszczeniu.
10. Urządzenia elektryczne należy przechowywać w miejscu niedostępnym dla dzieci i osób o ograniczonych możliwościach umysłowych. Nie należy umożliwiać im korzystania z produktu bez nadzoru.
11. To urządzenie nie jest przeznaczone do użytku przez osoby (w tym dzieci) o ograniczonych zdolnościach fizycznych, sensorycznych lub umysłowych, lub nieposiadające doświadczenia i wiedzy, chyba że są one nadzorowane lub zostały poinstruowane w zakresie korzystania z urządzenia przez osobę odpowiedzialną za ich bezpieczeństwo.
12. To urządzenie może być używane przez dzieci w wieku od 8 lat i starsze oraz osoby o ograniczonych zdolnościach fizycznych, sensorycznych lub umysłowych lub osoby nieposiadające doświadczenia i wiedzy, jeśli są one nadzorowane lub zostały poinstruowane w zakresie bezpiecznego korzystania i rozumieją związane z tym zagrożenia. Dzieciom nie wolno bawić się urządzeniem. Czyszczenie i konserwacja nie mogą być wykonywane przez dzieci bez nadzoru.
13. Zewnętrzny elastyczny przewód lub przewód tego transformatora nie może zostać wymieniony; jeśli przewód ulegnie uszkodzeniu, transformator należy zezłomować.
14. Jeśli przewód zasilający ulegnie uszkodzeniu, należy go wymienić na specjalny przewód lub zespół dostępny u producenta lub jego przedstawiciela serwisowego.

Instrukcja ładowania

1. Podłącz ładowarkę bezpośrednio do źródła zasilania. Nie wolno używać przedłużaczy.
2. Ładowarka może być używana wyłącznie do ładowania akumulatorów litowo-jonowych.
3. Należy unikać odwrotnego ładowania.
4. Ładowarki nie są przeznaczone do ładowania akumulatorów samochodowych.



odłączana część zasilacza

Akumulator

OSTRZEŻENIE

1. Nie wolno demontować, otwierać ani rozdrabniać ogniw akumulatorowych ani akumulatorów.
2. Akumulatory należy przechowywać w miejscu niedostępnym dla dzieci. Korzystanie z akumulatorów przez dzieci powinno odbywać się pod nadzorem. W szczególności należy przechowywać małe baterie w miejscu niedostępnym dla małych dzieci.
3. W przypadku potknięcia ogniwa lub baterii należy natychmiast zasięgnąć porady lekarza.
4. Nie wolno narażać ogniw ani baterii na działanie ciepła lub ognia. Unikać przechowywania w miejscu narażonym na bezpośrednie działanie promieni słonecznych.
5. Nie wolno zwierać ogniw ani akumulatorów. Nie należy przechowywać ogniw lub baterii w sposób nieuporządkowany w pudełku lub szufladzie, gdzie mogą spowodować zwarcie lub zostać zwarte przez inne metalowe przedmioty.
6. Nie należy wyjmować ogniw ani baterii z oryginalnego opakowania, dopóki nie będą potrzebne.
7. Nie należy narażać ogniw ani baterii na wstrząsy mechaniczne.
8. W przypadku wycieku płynu z ogniwa nie dopuścić do kontaktu płynu ze skórą lub oczami. Jeśli dojdzie do kontaktu, przemyć dotknięte miejsce dużą ilością wody i zasięgnąć porady lekarza.
9. Nie należy używać ładowarki innej niż ta, która została dostarczona wraz z urządzeniem.
10. Należy przestrzegać oznaczeń plus (+) i minus (-) na ogniwie, akumulatorze i sprężycie oraz zapewnić prawidłowe użytkowanie.
11. Nie należy używać ogniw ani baterii, które nie są przeznaczone do użytku z tym urządzeniem.
12. Nie należy równocześnie umieszczać w urządzeniu ogniw różnych producentów, o różnej pojemności, rozmiarze lub typie.
13. Należy zawsze kupować baterie zalecane przez producenta urządzenia.
14. Ogniwa i baterie należy utrzymywać w stanie czystym i suchym.
15. W przypadku zabrudzenia ogniwa lub zaciski akumulatora należy przetrzeć czystą, suchą ściereczką.
16. Ogniwa akumulatorowe i akumulatory należy naładować przed użyciem. Zawsze używaj odpowiedniej ładowarki i zapoznaj się z instrukcjami producenta lub instrukcją obsługi sprzętu, aby uzyskać prawidłowe instrukcje ładowania.
17. Nie należy pozostawiać akumulatora przez dłuższy czas w ładowarce, gdy nie jest używany.
18. Po dłuższym okresie przechowywania może być konieczne kilkukrotne naładowanie i rozładowanie ogniw lub akumulatorów w celu uzyskania maksymalnej wydajności.
19. Zachowaj oryginalną literaturę produktu do wykorzystania w przyszłości.
20. Ogniwo lub baterii należy używać wyłącznie w zastosowaniach, do których zostały przeznaczone.
21. Jeśli to możliwe, należy wyjmować akumulator z urządzenia, gdy nie jest ono używane.
22. Dokonywać prawidłowej utylizacji.

Podsumowanie gwarancji

Ten produkt obejmuje ograniczoną gwarancję, która pokrywa wady produkcyjne przez określony czas od daty zakupu. Warunki gwarancji, czas trwania oraz dostępność usług mogą się różnić w zależności od kraju lub regionu. Gwarancja nie obejmuje uszkodzeń spowodowanych niewłaściwym użytkowaniem, wypadkami lub nieautoryzowanymi naprawami. Aby uzyskać szczegółowe warunki i lokalne wsparcie, odwiedź <https://service.naveetech.com>.

1. Säkerhets instruktioner

Originalinstruktioner

VIKTIGT! Läs noga innan du använder produkten och spara den för framtida referens.

För detaljerad e-manual, besök www.naveetech.com

- Denna apparat är inte avsedd för användning av personer (inklusive barn) med nedsatt fysisk, sensorisk eller mental förmåga, eller som saknar erfarenhet och kunskap, såvida de inte har fått tillsyn eller instruktioner om användning av apparaten av en person som är ansvarig för deras säkerhet. Barn bör övervakas så att de inte leker med apparaten.
- Denna produkt är avsedd för användare som är äldre än 8 år och personer med fysiska och personer med nedsatt fysisk, sensorisk eller mental förmåga eller brist på erfarenhet och kunskap om de har fått övervakning eller instruktioner angående användning av produkten på ett säkert sätt och förstår inblandade faror. Barn får inte leka med apparaten. Rengöring och underhåll får inte utföras av barn utan tillsyn.
- Apparaten får endast användas med den strömförsörjningsenhet som medföljer apparaten.
- Innan du rider, använd alltid hjälmar, hand-/handedsskydd, knäskydd, armbågsskydd och annan skyddsutrustning.
- Sparkcykeln får endast användas av en person. Skyldighet att alltid ha skor på sig. Avled inte användningen av fordonet. Denna produkt är endast avsedd för personlig åkning och är inte avsedd för akrobatisk användning.
- Produkten rekommenderas för användning av användare över 16 år och under 50 år. Personer som inte bör använda produkten inkluderar: (1) Personer under påverkan av alkohol eller droger. (2) Personer som på grund av sjukdom eller medicinska tillstånd inte kan utföra ansträngande fysisk aktivitet. (3) Personer med dålig balans eller nedsatt motorik. (4) Personer vars vikt överstiger produktens gränsvärde. (5) Gravida kvinnor. (6) Personer med nedsatt syn eller hörsel.
- Följ lokala lagar och förordningar när du använder denna produkt. Åk inte där det är förbjudet enligt lokala lagar.
- I länder eller regioner där det för närvarande inte finns några nationella standarder eller regler för elscootar måste du följa säkerhetsinstruktionerna i denna bruksanvisning noggrant när du använder produkten. Underlåtenhet att göra detta kan innebära säkerhetsrisker för barn. SPACEWALKER PTE. LTD. ansvarar inte, varken direkt eller sammantaget, för personskador, materiella skador, olyckor, rättsliga tvister eller andra negativa konsekvenser som härrör från felaktig användning eller användning i strid med denna bruksanvisning.
- Åk inte i körfält eller bostadsområden där både fordon och fotgängare är tillåtna. När du passerar genom en plats avsedd för fotgängare som har rätt till rätt-till-väg-lagarna som övergångsställe, vänligen gå av och gå med sparkcykeln.
- Nödvändiga förberedelser för att använda denna produkt inkluderar: att se till att styrsystemet är korrekt justerat, att alla anslutna tillbehör (såsom fällsystemet) är ordentligt åtdragna och oskadade, och att bromsar och hjul är i gott skick.
- Utför en grundläggande inspektion av elsparkcykeln före varje åktur. Om det finns onormala tillstånd som lösa delar, varningar om lågt batteri, punkterade däck eller överdrivet slitage på däck, konstiga ljud, funktionsfel och andra onormala tillstånd, sluta omedelbart att köra och ring efter professionell support.
- Ta dig tid att lära dig grunderna i användningen för att undvika allvarliga olyckor under de första månaderna. Information om användning och säkerhet finns på webbplatsen: www.naveetech.com
- Säkerställ god sikt och se till att synas av andra när du kör.
- Åk inte i dåligt väder, dålig sikt eller efter intensiv fysisk ansträngning.

- Slå på strålkastaren och sakta ner hastigheten när du cyklar i mörker.
- Se till att stödet är placerat på ett plant underlag och att sparkcykeln är tillräckligt stabil för att stå ensam innan du lämnar den.
- Denna elektriska sparkcykel är en fritidsanordning. Men när man går in på ett allmänt område kommer det att betraktas som ett transportmedel och är föremål för eventuella säkerhetsrisker för alla transportmedel. Att åka i strikt överensstämmelse med instruktionerna i denna manual kommer att skydda dig och andra i största utsträckning.
- Användaren bör kontrollera användningsgränserna i enlighet med lokala bestämmelser. Kör sparkcykeln på de vägar eller områden som är tillåtna enligt lokala bestämmelser och lagar och parkera den på de tillåtna områdena. Skoterns maximala hastighet är begränsad till 25 km/h. Om de lokala bestämmelserna och lagarna har olika bestämmelser om maxhastighet, kommer de lokala bestämmelserna och lagarna att ha företräde. Vänligen respektera och följ trafik säkerheten och fordonsreglerna.
- Respektera fotgängares förkörsrätt. Försök att inte skrämja dem när du kör, särskilt barn. När du färdas bakom fotgängare, ring på din ringklocka för att ge dem en förvarning och sakta ner din sparkcykel för att passera från vänster och håll till höger i låg hastighet medan du kör över dem (gäller länder där fordon kör på högersida). När du korsar fotgängare, håll lägsta hastighet eller stig av fordonet.
- I vilket fall som helst, förutse din bana och din hastighet samtidigt som du respekterar vägkoden, trottoarens kod och de mest utsatta. Meddela din närvaro när du närmar dig en fotgängare eller cyklist när du inte syns eller hörs. Korsade skyddade passagerarna medan du går. Korsade skyddade passagerarna medan du går. Undvik områden med hög trafik eller överfulla områden.
- Att åka med hög hastighet eller en hastighet som inte är lämplig eller tillräcklig för situationen (dåliga väderförhållanden, dåliga ytförhållanden eller liknande) kan leda till en potentiell tappa stabiliteten eller tappa kontrollen. För att minska risken måste du följa alla instruktioner i denna manual. Var försiktig vid montering och demontering av produkten, den kan ramlas och orsaka skada.
- Trafiken i städer har många hinder att korsa som trottoarkanter eller trappor. Det rekommenderas att undvika hinderhopp. Det är viktigt att förutse och anpassa din bana och hastighet till en fotgängare innan du korsar dessa hinder. Det rekommenderas också att stiga av fordonet när dessa hinder blir farliga på grund av sin form, höjd eller halka.
- Låna inte ut din sparkcykel till den som inte känner till driften. Innan du lånar ut den elektriska sparkcykeln till andra, se till att användaren har läst denna manual och sett instruktionsvideon och förstått den grundläggande funktionen. Påminn användare att bära säkerhetsskydd på rätt sätt för att säkerställa användarens säkerhet.
- Kontakta din säljare för lämpliga utbildningsorganisationer.
- Ta i alla fall hand om dig själv och andra.
- All last som fästs på styret kommer att påverka fordonets stabilitet.
- Rör inte bromssystemet, det kan orsaka skador på grund av vassa kanter. Bromsen kan bli varm vid användning.
- Rör inte vid den efter användning.
- Den A-vägdga emissionsljudtrycksnivån är mindre än 70 dB(A).
- För en bättre åkupplevelse rekommenderas att utföra ett regelbundet underhåll av produkten.
- Eliminera alla vassa kanter som orsakas av användning.
- Tillbehör och andra Accessoarer som inte är godkända av tillverkaren får inte användas.
- Regelbundet underhåll av fordonet är en säkerhetsfaktor.

- Såväl de självåtdragande muttrarna som de andra självåtdragande fästena kan förlora sin effektivitet och att de kan behöva efterdras.
- Kontrollera regelbundet åtdragningen av de olika bultade elementen, särskilt hjulaxlarna, viksystemet, styrsystemet och bromsaxeln.
- Modifiera eller transformera inte fordonet, inklusive styrrör och hylsa, skaft, vikmekanism och bakbroms.
- Gör inga modifieringar som inte anges i anvisningarna.
- Se till att sparkcykeln är avstängd när den transporteras och förvaras i originalförpackningen om möjligt.
- För att undvika oavsiktliga skador såsom elektriska stötar och brand orsakade av felaktig användning, läs instruktionerna noggrant före användning och förvara dem ordentligt för framtida referens.
- Använd denna produkt i enlighet med instruktionerna i användarmanualen. Användare är ansvariga för förlust eller skada som uppstår på grund av felaktig användning av denna produkt.
- Slå av kjøretøyet eller sett det i ikke-operasjonell modus under lading.
- Ladda inte om laddningsporten eller laddningskabeln är våt. Läs denna användarmanual noggrant innan du laddar.
- Ladda inte sparkcykeln vid en omgivningstemperatur över 40° C eller under 0° C.
- Håll ett säkert avstånd när skotern kör på en jämn väg. Bromssträcken ökar i våta förhållanden.
- Stötdämpningen för den här produkten är inte justerbar (om tillämpligt).
- Apparaten är inte avsedd att användas på höjder över 2000 m över havet.
- Apparaten ska kopplas bort från sin strömkälla under service och vid byte av delar.
- Den externa flexibla kabeln eller sladden till denna transformator (laddare) kan inte bytas ut; om sladden är skadad ska transformatorn (laddaren) kasseras.
- Om den externa flexibla kabeln eller sladden till denna transformator är skadad, ska den bytas ut av tillverkaren eller deras servicerepresentant eller en liknande kvalificerad person för att undvika fara.
- Om nätsladden är skadad måste den bytas ut av tillverkaren, dess servicerepresentant eller liknande kvalificerade personer för att undvika fara.
- Den här produkten innehåller batterier som endast kan bytas ut av kvalificerade tekniker eller kundservice.
- Denna apparat innehåller batterier som endast kan bytas ut av kvalificerade personer.
- **VARNING:** För att ladda batteriet, använd endast den löstagbara försörjningsenheten som medföljer denna apparat. Använd inte en batteriladdare från någon annan produkt. Håll ett säkert avstånd från omgivande brännbart material vid laddning.
- **VARNING:** Använd inte batteri eller batteriladdare från tredje part. Använd endast med FY1505462450.
- **VARNING!** Håll plastskydd borta från barn för att undvika kvävning.
- **VARNING!** Använd aldrig produkten nära en vattenkälla.
- **VARNING!** Sluta använda produkten när den är skadad.
- **VARNING!** Som med alla mekaniska komponenter utsätts ett fordon för höga påfrestningar och slitage. De olika materialen och komponenterna kan reagera olika på slitage eller utmattning. Om den förväntade livslängden för en komponent har överskridits kan den plötsligt gå sönder och därmed riskera att orsaka skador

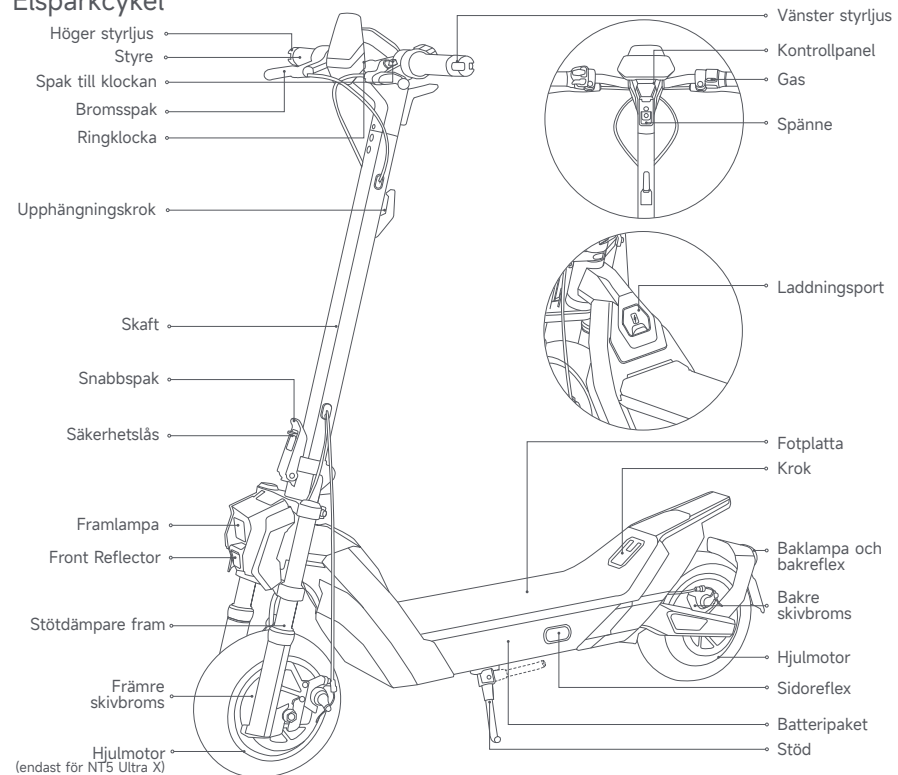
på användaren. Sprickor, repor och missfärgningar i områden som utsätts för höga belastningar tyder på att komponenten har överskridit sin livslängd och kontakta en auktoriserad eller specialiserad reparatör.

Se upp för klämningsrisken av händer och klämpunkter i följande lägen under användning:

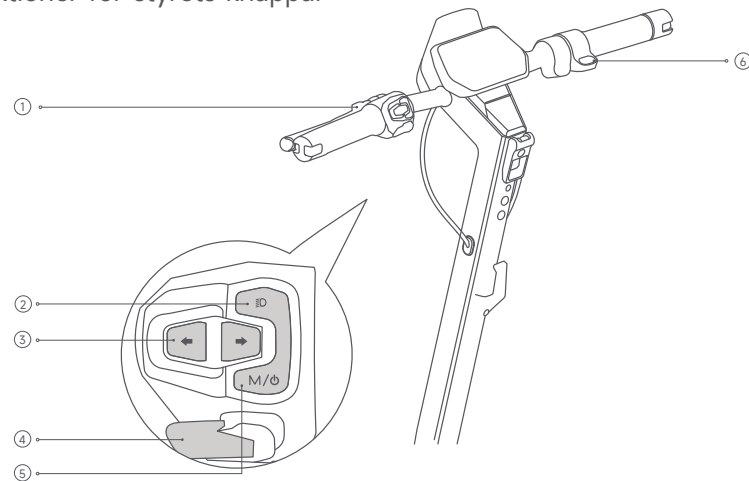
1. Mellan styret och stammen vid montering av styret.
2. Öppningar på hjulen.
3. Mellan främre stänkskärmen och däck.
4. Mellan snabbkopplingsspaken och snabbkopplingsspakens lås samt mellan fällningsfogen och stammen vid hopfällning eller utfällning.
5. Mellan stänkskärmarna och hjulen.

2. Produktöversikt

Elsparkcykel

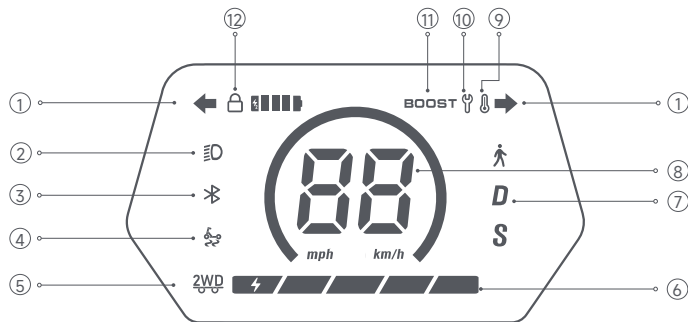


Funktioner för styrets knappar



- ① Ringtangent: Tryck för att ringa med klockan.
- ② Ljusstangent: När skotern är påslagen, tryck för att tända eller släcka fram- och bakljus.
- ③ Blinkerknappar: Tryck för att aktivera vänster eller höger blinkers. Signalen och indikatorn på displayen börjar blinka. Tryck igen för att stänga av.
- ④ BOOST-knapp: Tryck för att aktivera BOOST-funktionen (gäller endast i S-läge), och tryck igen för att avsluta. Obs: Rekommenderas endast efter att föraren behärskar grundläggande kontroll.
- ⑤ Strömknapp / Lägesväxling: Tryck för att slå på. Håll intryckt i 2 sekunder för att stänga av. När skotern är på, tryck två gånger för att byta körläge.
- ⑥ Gashandtag: Tryck för att accelerera (fungerar när startfarten överstiger 3 km/h). Obs: Startfarten kan justeras via NAVEE-appen.

* Illustrationerna som visas är endast för illustrativa ändamål. Den faktiska produkten kan variera.



- ① Vänster/höger blinkersindikator: När ikonen blinkar, är blinkersen på den vänstra eller högra sidan aktiverad.
- ② Ljus: Indikerar att framlyktan är tänd.
- ③ Bluetooth: Bluetooth-ikonen lyser när elsparkcykeln är ansluten till din mobil enhet.
- ④ TCS (Dragkontrollsystem): När funktionen är aktiverad förhindrar TCS att hjulen spinner för mycket och förbättrar stabiliteten vid start, acceleration eller svängning. TCS kan aktiveras eller inaktiveras via NAVEE-appen.
- ⑤ Tvåhjulsdraft (endast NT5 Ultra X): Anger att tvåhjulsdraftsläget är aktivt. Håll ned BOOST-knappen i 3 sekunder för att slå på eller av det, eller styr det via NAVEE-appen.
- ⑥ Batterinivå: Batterinivån visas med 5 staplar. Varje stapel motsvarar cirka 20 % av full laddning.
- ⑦ Kör lägen: \uparrow anger gångläge — maxhastighet: 6 km/h. D anger standardläge. S anger sportläge.
- ⑧ Hastighetsmätare: Visar aktuell körhastighet. Visar felkoder vid systemfel samt batterinivå under laddning.
- ⑨ Temperaturvarning: Termometersymbolen lyser när batteritemperaturen är för hög eller för låg. Vänta tills temperaturen återgår till normal innan du använder eller laddar elsparkcykeln.
- ⑩ Felindikator: En röd fast skiftnyckelsymbol indikerar ett systemfel.
- ⑪ BOOST-läge: Visar att boostfunktionen är aktiverad.
- ⑫ Lås: Denna ikon lyser när elsparkcykeln är låst. Du kan låsa eller låsa upp elsparkcykeln via NAVEE-appen.

3. Underhåll och skötsel

Rengöring

Innan du rengör din skoter:

Stäng av strömmen. Koppla ur laddningskabeln. Se till att laddningsportens lock är helt stängt.

För att rengöra:

Torka av skotern med en mjuk, fuktig trasa. Vid hård smuts, använd en mjuk borste (t.ex. en tandborste). Avsluta med att torka alla ytor med en ren, torr trasa.

Undvik följande:

- Användning av högtrycksvatten (kan skada interna komponenter).
- Användning av frätande rengöringsmedel (kan skada både yttre och inre delar).

Batterivård

För att maximera batteriets livslängd:

Undvik att ladda ur batteriet helt. Ladda det regelbundet.

Håll alltid användnings-, laddnings- och förvaringstemperaturer inom de gränser som anges i specifikationerna.

Om skotern inte används under en längre tid, ladda den var 60:e dag för att undvika permanent batteriskada. En fulladdad skoter kan stå i standby i cirka 120–180 dagar.

Batterivarningar:

- Använd endast den originalladdare och det originalbatteri som levererats med din skoter.
- Använd aldrig batteri eller laddare från en annan modell eller tillverkare.
- Ladda inte eller använd skotern om batteriet är skadat eller har utsatts för vatten.
- Försök inte ta bort batteriet själv — detta kräver professionell service.

Förvaring

Vid långtidförvaring:

Ladda batteriet helt. Stäng av skotern. Förvara på en sval, torr plats borta från solljus och fukt.

Använd originalförpackningen för transport om tillgänglig.

Förvaringspåminnelser:

- Förvara skotern borta från brandfarliga material.
- Undvik att förvara i direkt solljus eller mycket fuktiga miljöer.
- Denna produkt innehåller ett litiumbatteri. Följ lokala bestämmelser för transport och förvaring.

Miljöinformation

Sparkcykeln innehåller ett uppladdningsbart litiumjonbatteri, och felaktig kassering av dessa batterier kommer att skada miljön. Följ stegen nedan för att ta bort batterierna innan du kasserar skotern och kassera batterierna på rätt sätt:

1. Innan du tar bort batteriet, se till att elscotern är avstängd och att batteriet är helt urladdat. Skruva loss skruvarna som håller plastkomponenterna, stödet, batterifackets lock och styrenhetens lock, och ta sedan försiktigt bort varje komponent.
2. Koppla ur batterikontakten och ta sedan bort batterierna. Skada inte batterihöljet för att undvika risk för skador. Använd inte batteriet om det är skadat, om det har en konstig lukt, avger rök eller blir överhettat. Håll ettlikande batteri borta från andra föremål.
3. Återvinn det borttagna batteriet på en certifierad batteriåtervinningsanläggning.

Underhållsschema för skoter (rekommenderad):

Att underhålla skotern regelbundet kan hjälpa till att hålla skotern snygg och i gott skick, undvika säkerhetsrisker, minimera haverier, sakta ner slitaget av skotern och förlänga skoterns livslängd.

Artikel	Serviceobjekt	Åtgärder	Varje månad	Var 3:e månad	Var 500:e km/6 månader	Var 1000:e km/1 år	Var 10000:e km/3 år
Däck	Däckslitage	Kontrollera om däckat är sprucket, deformerat, slitet osv.			✓	✓	✓
Skruvar	Styrets monteringskruv armonteringskruv uvar	Dra åt skruven som förbinder styret med spindelenheten (med det rekommenderade vridmomentet på 4,5 ± 0,5 N·m).		✓	✓	✓	✓
		Dra åt acceleratorskruven (med rekommenderat vridmoment på 2,5 ± 0,1 N·m).				✓	✓
		Dra åt bromsspakens skruv (med rekommenderat vridmoment på 5,5 ± 0,2 N·m).					
	Skivbromsok	Dra åt skruven som fixerar skivbromsoket (med det rekommenderade vridmomentet på 7,0 ± 0,5 N·m)."			✓	✓	✓

Artikel	Serviceobjekt	Åtgärder	Varje månad	Var 3:e månad	Var 500:e km/6 månader	Var 1000:e km/1 år	Var 10000:e km/3 år
Funktioner	Bromsjustering	Innan du justerar, skaffa dig en 10 mm hylsnyckel (anskaffad av användaren) och se till att elsparkcykeln är avstängd och inte laddas. Under justering, dra i änden av bromsvajern för att späna vajern. Om bromsen är för spännad, använd verktyget för att lossa skruven genom att vrida den moturs, dra skivbromsens vipparm utåt och dra sedan åt skruven. Om bromsen är för lös, använd verktyget för att lossa skruven genom att vrida den moturs, tryck skivbromsens vipparm framåt och dra sedan åt skruven.			✓	✓	✓
	Uppladdning	Ladda skotern vid en lämplig temperatur. Indikatorn på batteriladdaren är röd när skotern laddas och blir grön när skotern är fulladdad. Kontrollpanelen kommer att visa laddningsstatus samtidigt under laddningen.			✓	✓	✓
	Styrning	Vrid styret 60° åt vänster och höger för att säkerställa att svängvinkeln är korrekt och att styrningen är fri från motstånd och stagnation.				✓	✓
Viktiga komponenter	Batterimontering	Ladda skotern helt innan du lämnar den oanvänd under en längre tid och starta den för att ladda var 60:e dag.					✓

Hjul, bromsbelägg och andra känsliga delar är slitna eller skadade och behöver bytas ut, vänligen kontakta kundservice i tid.

För att hitta en certifierad serviceleverantör, kontakta oss på service@navee.tech eller besök <https://www.navee.tech>.

4. Specifikationer

Produkt	Namn	NAVEE elsparkcykel				
	Modell	NT5 Max EU	NT5 Max DE	NT5 Max IT	NT5 Max SE	NT5 Max AT
Dimensioner	Fordon: L × B × H (mm) ^[1]	1250 × 625 × 1355				
	Ihopfäld: L × B × H (mm)	1250 × 625 × 645				
Nettovikt	Fordonets nettovikt (kg)	33,5				
Förare	Belastningsområde (kg)	25–150				
	Ålder (år)	16–50				
	Kroppslängd (cm)	120–200				
Monterad elsparkcykel	Maxhastighet (km/h)	25	20	25	20	25
	Maxräckvidd (km) ^[2]	85				
	Räckvidd vid maxhastighet (km) ^[3]	53	75	53	75	53
	Max. uppförlutning (%)	28				
	Lämpliga ytor	Cement- eller asfaltsvägar, med avsatser på under 1 cm eller springor som är smalare än 3 cm.				
	Arbetstemperatur (°C)	-10 till 40				
	Förvaringstemperatur (°C)	-20 till 45				
	IP-klassning	IPX6				
	Laddningstid (h)	ok. 5–6				
	Batteripaket	Modell	T2545-BD1A			
Märkspänning (VDC)		46,8				
Max. laddspänning (V DC)		54,6				
Nominell energi (Wh)		561,6				
Intelligent batterihanteringssystem		Överhettnings-, kortslutnings-, överströms-, överurladdnings- och överladdningsskydd				
Normalt temperaturintervall för laddning (°C)		0 till 40				
Hjulmotor	Nominell kapacitet (Ah)	12				
	Nominell effekt (kW; W)	0,7; 700	0,5; 500	0,5; 500	0,25; 250	0,6; 600
Batteriladdare	Modell ^[4]	FY1505462450				
	Utgångseffekt (kW; W)	0,133; 133,77				
	Ingång (V AC)	100–240 V~ 50/60 Hz				
	Nominell utgång (V DC; A)	54,6 ; 2,45				
Däck	Fram- och bakdäck	Terrängdäck 10,5 tum med hög greppförmåga				
	Frekvensband (s)	2.4000 - 2.4835 GHz				
Bluetooth	Max. RF-effekt (mW)	8				

[1] Fordonshöjd: från marken till toppen av scootern.

[2] Maxräckvidd: uppmätt i 25 °C utan vind, med fulladdad scooter som kör 15 km/h på plan yta med 75 kg last.

[3] Räckvidd vid maxhastighet: uppmätt i 25 °C utan vind, med fulladdad scooter i maxhastighet på plan yta med 75 kg last.

[4] Använd endast den medföljande laddaren för att ladda batteriet.

Produkt	Namn	NAVEE elsparkcykel				
	Modell	NT5 Ultra X EU	NT5 Ultra X DE	NT5 Ultra X IT	NT5 Ultra X SE	NT5 Ultra X AT
Dimensioner	Fordon: L × B × H (mm) ^[1]	1250 × 625 × 1355				
	Ihopfäld: L × B × H (mm)	1250 × 625 × 645				
Nettovikt	Fordonets nettovikt (kg)	36,5				
Förare	Belastningsområde (kg)	25–150				
	Ålder (år)	16–50				
	Kroppslängd (cm)	120–200				
Monterad elsparkcykel	Maxhastighet (km/h)	25	20	20	20	25
	Maxräckvidd (km) ^[2]	90				
	Räckvidd vid maxhastighet (km) ^[3]	66	78	78	78	66
	Max. uppförlutning (%)	45				
	Lämpliga ytor	Cement- eller asfaltsvägar, med avsatser på under 1 cm eller springor som är smalare än 3 cm.				
	Arbetstemperatur (°C)	-10 till 40				
	Förvaringstemperatur (°C)	-20 till 45				
	IP-klassning	IPX6				
	Laddningstid (h)	ok. 7–8				
	Batteripaket	Modell	T2443-BD6A			
Märkspänning (VDC)		46,8				
Max. laddspänning (V DC)		54,6				
Nominell energi (Wh)		898,56				
Intelligent batterihanteringssystem		Överhettnings-, kortslutnings-, överströms-, överurladdnings- och överladdningsskydd				
Normalt temperaturintervall för laddning (°C)		0 till 40				
Hjulmotor	Nominell effekt (kW; W)	0,5 × 2; 500 × 2	0,25 × 2; 250 × 2	0,25 × 2; 250 × 2	0,125 × 2; 125 × 2	0,3 × 2; 300 × 2
	Batteriladdare	Modell ^[4]	FY1505462450			
Utgångseffekt (kW; W)		0,133; 133,77				
Ingång (V AC)		100–240 V~ 50/60 Hz				
Nominell utgång (V DC; A)		54,6 ; 2,45				
Däck	Fram- och bakdäck	Terrängdäck 10,5 tum med hög greppförmåga				
	Frekvensband (s)	2.4000 - 2.4835 GHz				
Bluetooth	Max. RF-effekt (mW)	8				

[1] Fordonshöjd: från marken till toppen av scootern.

[2] Maxräckvidd: uppmätt i 25 °C utan vind, med fulladdad scooter som kör 15 km/h på plan yta med 75 kg last.

[3] Räckvidd vid maxhastighet: uppmätt i 25 °C utan vind, med fulladdad scooter i maxhastighet på plan yta med 75 kg last.

[4] Använd endast den medföljande laddaren för att ladda batteriet.

5. Certifieringar

RoHS-direktivet (Restriction of Hazardous Substances)

Denna SPACEWALKER PTE. LTD. produkt med medföljande delar (kablar, sladdar och så vidare) uppfyller kraven i direktiv 2011/65/EU om begränsning av användning av vissa farliga ämnen i elektrisk och elektronisk utrustning ("RoHS recast" eller "RoHS 2").

EU-försäkran om överensstämmelse



Denna enhet uppfyller EU:s krav på begränsning av allmänhetens exponering för elektromagnetiska fält genom hälsoskydd. Härmed förklarar SPACEWALKER PTE. LTD. att radioutrustningstypen: [NT5 Max EU], [NT5 Max DE], [NT5 Max IT], [NT5 Max SE], [NT5 Max AT], [NT5 Ultra X EU], [NT5 Ultra X DE], [NT5 Ultra X IT], [NT5 Ultra X SE] och [NT5 Ultra X AT] överensstämmer med direktiv 2014/53/EU och 2006/42/EG. Den fullständiga texten till EU-försäkran om överensstämmelse finns på följande Internetadress: www.naveetech.com

EU-försäkran om överensstämmelse

Information om batteriåtervinning för Europeiska unionen



Batterier eller batteriförpackningar är märkta i enlighet med förordning (EU) 2023/1542 om batterier och ackumulatörer samt avfall från dessa. Direktivet fastställer ramarna för retur och återvinning av använda batterier och ackumulatörer som är tillämpliga i hela Europeiska unionen. Denna etikett tillämpas på olika batterier för att ange att batteriet inte ska slängas, utan snarare återvinnas vid slutet av livslängden enligt detta direktiv.

Enligt förordning (EU) 2023/1542 är batterier och ackumulatörer märkta för att ange att de ska samlas in separat och återvinnas när de är uttjänta. Etiketten på batteriet kan också innehålla en kemisk symbol för den berörda metallen i batteriet (Pb för bly, Hg för kvicksilver och Cd för kadmium). De som använder batterier och ackumulatörer får inte slänga batterier och ackumulatörer som osorterat kommunalt avfall, utan måste använda de regler för insamling som är tillgänglig för kunderna avseende retur, återvinning och behandling av batterier och ackumulatörer. Kundens medverkan är viktig för att minimera eventuella potentiella effekter av batterier och ackumulatörer på miljön och på människors hälsa på grund av potentiell förekomst av farliga ämnen.

Innan elektrisk och elektronisk utrustning (EEE) placeras i avfallsinsamling eller i avfallsinsamlingsanläggningar måste slutanvändare av utrustning som innehåller batterier och/eller ackumulatörer ta bort dessa batterier och ackumulatörer för separat insamling.

WEEE-direktivet (Waste Electrical and Electronic Equipment)



Alla produkter märkta med den här symbolen är el- och elektronikprodukter (WEEE i enlighet med direktivet 2012/19/EU) och får inte avyttras tillsammans med osorterat hushållsavfall. Du bör istället skydda människors hälsa och miljön genom att lämna in ditt el- och elektronikavfall till de insamlingsstationer för återvinning av el- och elektronikutrustning som tillhandahålls av statliga eller lokala myndigheter. Korrekt avyttring och återvinning bidrar till att minska negativa konsekvenser för miljön och människors hälsa. Kontakta installatören eller de lokala myndigheterna för mer information om dessa insamlingsplatser och vilka villkor som gäller.

Säkerhetsvarning



Fara!
Läs bruksanvisningen före användning.



WARNING!
Läs noggrant och behåll för framtida referens.



WARNING
Varm yta



Får inte utsättas för fukt



Ljus



SMPS som innehåller en kortslutnings säkerhetsisolerin gstransformator (inherent eller icke-inherent)



SMPS (strömförsörjningsenhet med switchläge)



Tidsfördröjning miniatyrsäkringslänk där X är symbolen för tids-/strömkaraktistiken enligt IEC 60127



WARNING!
Endast för inomhusbruk (för laddaren).



WARNING
Klass II apparat



WARNING
Vassa kanter



Laddaren är avsedd att användas på höjder som inte överstiger 5000m.



Styrljus



Risk för elektriska stötar, öppna inte, endast för inomhusbruk



Växelström



Polaritet på laddarens utgång, mitten positiv

Batteriladdare

VARNING

1. Laddaren är endast avsedd för inomhusbruk. Utsätt ej för regn eller snö.
2. Använd inte för icke-uppladdningsbara batterier, eftersom de kan överhettas och gå sönder.
3. Felaktig användning av andra typer av batterier kan spricka och orsaka personskador och andra skador.
4. Bränn inte, plocka isär eller kortslut inte batterier.
5. Om batteriernas prestanda minskar avsevärt är det dags att byta ut batterierna.
6. Förvara laddaren på en sval och torr plats när den inte används.
7. Koppla bort strömförsörjningen innan du sätter i eller bryter anslutningarna till batteriet.
8. Explosiva gaser. Förhindra lågor och gnistor. Sörj för god ventilation under laddning.
9. Under laddning måste batteriet placeras i ett välventilerat utrymme.
10. Förvara apparater utom räckhåll för barn eller olämpliga personer. Låt dem inte använda apparaterna utan uppsikt.
11. Denna apparat är inte avsedd för användning av personer (inklusive barn) med nedsatt fysisk, sensorisk eller mental förmåga, eller som saknar erfarenhet och kunskap, såvida de inte har fått tillsyn eller instruktioner om användning av apparaten av en person som är ansvarig för deras säkerhet.
12. Denna apparat kan användas av barn från 8 år och uppåt och personer med nedsatt fysisk, sensorisk eller mental förmåga eller bristande erfarenhet och kunskap om de har fått tillsyn eller instruktioner om hur apparaten används på ett säkert sätt och förstår farorna inblandade. Barn får inte leka med apparaten. Rengöring och underhåll får inte utföras av barn utan tillsyn.
13. Den externa flexibla kabeln eller sladden till denna transformator kan inte ersättas. Om sladden skadas ska transformatorn kasseras.
14. Om nätsladden är skadad måste den bytas ut mot en speciell sladd eller montering som finns tillgänglig från tillverkaren eller dess serviceagent.

Laddningsinstruktioner

1. Anslut laddaren direkt till en strömkälla. Använd aldrig en förlängningsladd.
2. Laddaren kan bara ladda litiumjonbatterier.
3. Undvik omvänd laddning.
4. Laddarna är inte avsedda för laddning av bilbatterier.



Löstagbar strömförsörjningsdel

Batteripaket

VARNING

1. Demontera, öppna eller strimla inte sekundära celler eller batterier.
2. Förvara batterier utom räckhåll för barn. Batterianvändning av barn bör övervakas. Förvara särskilt små batterier utom räckhåll för små barn.
3. Uppsök läkare omedelbart om en cell eller ett batteri har svalts.
4. Utsätt inte celler eller batterier för hetta eller eld. Undvik förvaring i direkt solljus.
5. Kortslut inte en cell eller ett batteri. Förvara inte celler eller batterier slumpmässigt i en kartong eller låda där de kan kortsluta varandra eller kortslutas av andra metallföremål.
6. Ta inte ut en cell eller ett batteri ur originalförpackningen förrän den ska användas.
7. Utsätt inte celler eller batterier för mekaniska stötar.
8. I händelse av att en cell läcker, låt inte vätskan komma i kontakt med huden eller ögonen. Om kontakt har skett, tvätta det drabbade området med rikliga mängder vatten och uppsök läkare.
9. Använd inte någon annan laddare än den som specifikt tillhandahålls för användning med utrustningen.
10. Observera plus- (+) och minus (-) markeringarna på cellen, batteriet och utrustningen och säkerställ korrekt användning.
11. Använd inte någon cell eller batteri som inte är designade för användning med utrustningen.
12. Blanda inte celler av olika tillverkning, kapacitet, storlek eller typ i en enhet.
13. Köp alltid det batteri som rekommenderas av tillverkaren av enheten för utrustningen.
14. Håll celler och batterier rena och torra.
15. Torka av cell- eller batteripolerna med en ren torr trasa om de blir smutsiga.
16. Sekundära celler och batterier måste laddas före användning. Använd alltid rätt laddning och se tillverkarens instruktioner eller utrustningsmanual för korrekta laddningsinstruktioner.
17. Lämnar inte ett batteri på en längre laddning när det inte används.
18. Efter längre förvaringsperioder kan det vara nödvändigt att ladda och ladda ur cellerna eller batterierna flera gånger för att få maximal prestanda.
19. Behåll den ursprungliga produktlitteraturen för framtida referens.
20. Använd endast cellen eller batteriet i den applikation som den var avsedd för.
21. Om möjligt, ta bort batteriet från utrustningen när den inte används.
22. Kassera på rätt sätt.

Garantiöversikt

Denna produkt inkluderar en begränsad garanti som täcker tillverkningsfel under en angiven period från inköpsdatumet. Garantivillkor, varaktighet och tillgänglighet av tjänster kan variera beroende på land eller region. Garantin täcker inte skador orsakade av felaktig användning, olyckor eller obehöriga reparationer. För detaljerade villkor och lokal support, vänligen besök <https://service.naveetech.com>.

TÄRKEÄÄ! Lue huolellisesti ennen tuotteen käyttöä ja säilytä se myöhempää käyttöä varten.

Yksityiskohtainen sähköinen käyttöopas on osoitteessa www.naveetech.com

- Tätä laitetta ei ole tarkoitettu käytettäväksi henkilöiden toimesta (mukaan lukien lapset) joilla on vähentynyt fyysistä, aistillista tai henkistä kapasiteettia, tai joilta puuttuu kokemuspohjaa ja tietoja, ellei näille ole annettu ohjeistusta tai ole valvottuja koskien laitteiden käyttöä ja henkilön toimesta joka vastaa näiden turvallisuudesta. Huolehdi siitä, että lapset eivät pääse leikkimään laitteella.
- Tämä laite on tarkoitettu yli 8-vuotiaille kuljettajille ja henkilöille, joilla on heikentyneet fyysiset, sensoriset tai psyykkiset kyvyt tai joilla ei ole kokemusta tai tietoa, mikäli heitä on valvottu tai opastettu laitteen turvallisuudessa käytössä ja he ymmärtävät siihen liittyvät vaarat. Lasten ei tule leikkiä laitteen kanssa. Puhdistusta ja käyttäjän suorittamaa huoltoa ei pidä suorittaa valvomattomana lasten toimesta.
- Laitetta saa käyttää vain laitteen mukana toimitetulla virtalähteellä.
- Ennen ajamista on aina käytettävä kypärää, käsi- ja rannesuojia, polvisuojia, kynnärpääsuojia ja muita suojavarusteita.
- Skooteria saa käyttää vain yksi henkilö. Kenkien käyttö vaaditaan aina. Älä muuta ajoneuvon käyttöä. Tämä tuote on tarkoitettu vain henkilökohtaiseen ajoon, eikä sitä ole tarkoitettu akrobaattiseen käyttöön.
- Tuotetta suositellaan yli 16-vuotiaille ja alle 50-vuotiaille kuljettajille. Seuraavien henkilöiden ei tulisi käyttää tätä tuotetta: (1) Henkilöt, joilla on alkoholin tai huumausaineiden vaikutuksen alaisena. (2) Henkilöt, joilla sairauden tai terveysongelman vuoksi ei ole edellytyksiä rasittavaan fyysiseen aktiivisuuteen. (3) Henkilöt, joilla on heikko tasapaino tai motoriset rajoitteet. (4) Henkilöt, joiden paino ylittää tuotteen rajoituksen. (5) Raskaana olevat naiset. (6) Näkö- tai kuulovammaiset henkilöt.
- Noudata paikallisia lakeja ja määräyksiä, kun ajat tällä tuotteella. Älä aja siellä, missä paikalliset lait kieltävät sen.
- Maissa tai alueilla, joissa ei ole voimassa kansallisia standardeja tai määräyksiä sähköpotkulaudoille, on noudatettava tarkasti tämän käyttöoppaan turvaohjeita tuotteen käytön aikana. Ohjeiden laiminlyönti saattaa aiheuttaa turvallisuusriskin lapsille. SPACEWALKER PTE, LTD ei ota vastuuta suoraan tai yhdessä henkilö- tai omaisuusvahingoista, onnettomuuksista, oikeudellisista riidoista tai muista vahinkoseurauksista, jotka johtuvat tuotteen virheellisestä käytöstä tai tämän oppaan ohjeiden vastaisesta käytöstä.
- Älä aja liikenneväylillä tai asuinalueilla, joilla sekä ajoneuvoilla ajo että jalankulku ovat sallittuja. Kun kuljetaan paikan läpi, joka on tarkoitettu jalankulkijoille, joilla on oikeus etuajo-oikeuteen, kuten jalkakäytävään, siirry kävelemään skootterin kanssa.
- Tämän tuotteen käyttöön vaadittaviin valmisteluihin kuuluvat seuraavat: varmista, että ohjausjärjestelmä on säädetty oikein, että kaikki liitetyt lisävarusteet (kuten taittojärjestelmä) on kiristetty kunnolla ja että ne eivät ole vahingoittuneet ja että jarrut ja pyörät ovat hyvässä kunnossa.
- Suorita sähköskootterin perustarkastus ennen jokaista ajokertaa. Jos ilmenee epänormaaleja olosuhteita, kuten irtonaisia osia, akun tyhjenemishälytyksiä, tyhjiä renkaita tai renkaiden liiallista kulumista, outoja ääniä, toimintahäiriöitä ja muita epänormaaleja olosuhteita, lopeta ajaminen välittömästi ja pyydä ammattiapua.
- Ota aikaa opetella käytön perusteet välttääksesi vakavat onnettomuudet ensimmäisten kuukausien aikana. Tietoa käytöstä ja turvallisuudesta löytyy verkkosivustolta: www.naveetech.com

- Varmista hyvä näkyvyys ja että sinut nähdään muilta ajaessasi.
- Älä aja huonolla säällä, huonolla näkyvyydellä tai voimakkaan fyysisen rasituksen jälkeen.
- Laita ajovalot päälle ja hidasta nopeutta, kun ajat pimeällä.
- Varmista, että tukijalka on tasaisella alustalla ja että tukijalka on riittävän vakaa tuottamaan seisannon yksinään, ennen kuin jätät sen.
- Tämä sähköskootteri on vapaa-ajan laite. Kun ajoneuvo saapuu yleiselle alueelle, sitä pidetään kuitenkin kulkuvälineenä, ja siihen kohdistuu kaikkien kulkuvälineiden mahdollisia turvallisuusriskejä. Tämän käyttöoppaan ohjeiden tarkka noudattaminen suojaa sinua ja muita mahdollisimman hyvin.
- Käyttäjän on tarkistettava käyttörajat paikallisten määräysten mukaisesti. Aja skootterilla paikallisten määräysten ja lakien sallimilla teillä tai alueilla ja pysäköi se sallituille alueille. Skootterin enimmäisnopeudeksi on rajoitettu 25 km/h. Jos paikallisissa määräyksissä ja laeissa on erilaisia säännöksiä enimmäisnopeudesta, paikalliset määräykset ja lait ovat ensisijaisia. Kunniota ja noudata liikenneturvallisuus- ja ajoneuvosääntöjä.
- Kunniota jalankulkijoiden etuoikeutta. Yritä olla säikäyttämättä heitä ajon aikana, etenkin lapsia. Kun ajat jalankulkijoiden takaa, soita kelloa varoittaaksesi heitä ja hidasta skootterisi nopeutta, jotta voit ohittaa heidät vasemmalta puolelta, ja pysy oikealla alhaisella nopeudella ajaessasi heidän ohitseen (koske maita, joissa ajoneuvot ajavat oikealla). Kun ajat jalankulkijoiden ohi, ylläpidä alhaisinta nopeutta tai ajoneuvoa ensimmäisetäisyttä.
- Ennako joka tapauksessa liikeratasi ja nopeutesi kunniottaen samalla tien ja jalkakäytävän sääntöjä sekä kaikkein haavoittuvimpia tiellä liikkujia. Ilmoita läsnäolostasi lähestyessäsi jalankulkijaa tai pyöräilijää, mikäli sinua ei nähdä tai kuulla. Ylitä suojattuja kulkuväylöjä pitkin kävellessäsi. Ylitä suojattuja kulkuväylöjä pitkin kävellessäsi. Vältä vilkkaasti liikennöityjä tai ruuhkaisia alueita.
- Suurella nopeudella ajo tai nopeus, joka ei ole sopiva tai riittävä tilanteeseen nähden (huonot sääolosuhteet, huono ajopinta tai vastaava), voi johtaa mahdolliseen vakauden tai hallinnan menettämiseen. Riskien vähentämiseksi sinun on noudatettava kaikkia tämän käyttöoppaan ohjeita. Ole varovainen asentaessasi ja purkaessasi tuotetta, se voi pudota ja aiheuttaa vammoja.
- Kaupungin liikenteessä on monia esteitä, kuten reunakiviä tai portaita, jotka on ylitettävä. On suositeltavaa välttää hppyjä esteiden kohdalla. On tärkeää ennakoita ja mukauttaa liikerataa ja nopeutta jalankulkijan nopeuteen ennen esteiden ylittämistä. On myös suositeltavaa nousta ulos ajoneuvosta, kun esteet muuttuvat vaarallisiksi niiden muodon, korkeuden tai liukkauden johdosta.
- Älä lainaa skootteria henkilölle, joka ei tunne sen toimintaa. Ennen kuin lainaat sähköskootterin muille, varmista, että kuljettaja on lkenut tämän käyttöohjeen ja katsonut opetusvideon ja ymmärtänyt perustoiminnot. Muistuta ratsastajia käyttämään suojaimia oikein ratsastajien turvallisuuden varmistamiseksi.
- Ota yhteyttä myyjään sopivien koulutusorganisaatioiden osalta.
- Pidä joka tapauksessa huolta itsestäsi ja muista.
- Ohjaustankoon kiinnitetty kuorma vaikuttaa ajoneuvon vakauteen.
- Älä koske jarrujärjestelmään, sen terävät reunat saattavat aiheuttaa vammoja. Jarru voi kuumentua käytössä. Älä koske käytön jälkeen.
- A-painotettu päästöäänepainetaso on alle 70 dB(A).
- Paremmen ajokokemuksen saamiseksi on suositeltavaa huoltaa tuote säännöllisesti.
- Poista käytön aiheuttamat terävät reunat.
- Lisävarusteita ja muita lisävarusteita, joita valmistaja ei ole hyväksynyt, ei saa käyttää.
- Ajoneuvon säännöllinen huolto on turvallisuustekijä.

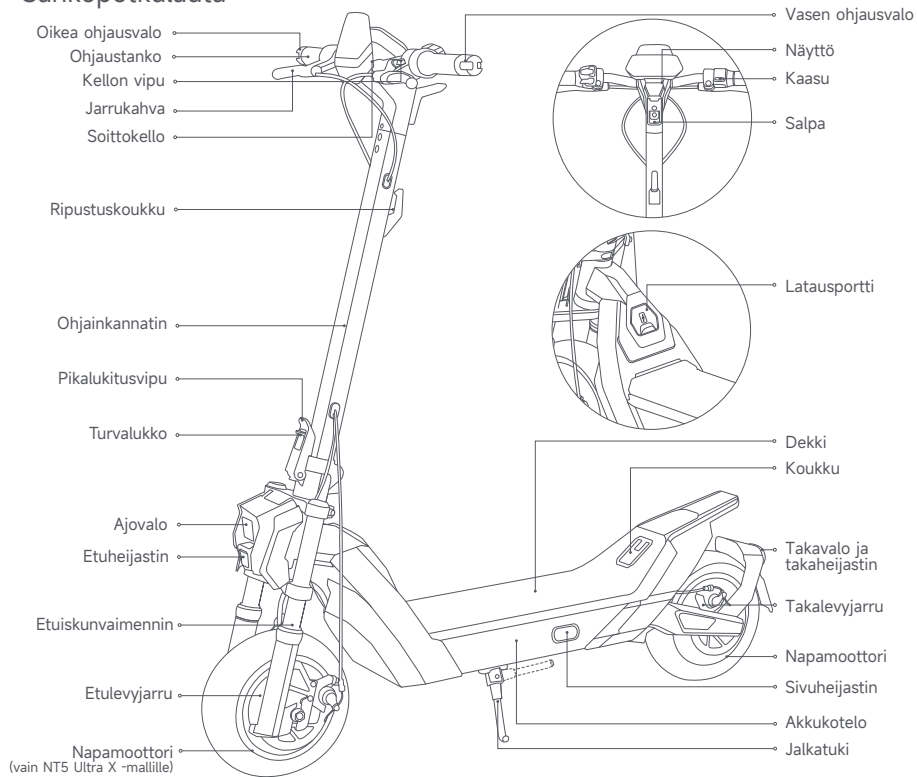
- Itsekiinnittyvät mutterit ja muut itsekiinnittyvät kiinnikkeet voivat menettää tehoaan ja ne on ehkä kiristettävä uudelleen.
- Tarkista säännöllisesti eri ruuviliitosten, erityisesti pyörän akselien, taittumisjärjestelmän, ohjausjärjestelmän ja jarruakselin kiristys.
- Älä muuta tai muokkaa ajoneuvoa, mukaan lukien ohjausputkea ja -holkkia, vartta, taittomekanismia ja takajarrua.
- Älä tee mitään muutoksia, joita ei ole mainittu ohjeissa.
- Varmista, että skootteri on sammutettu kuljetuksen ajaksi ja että se säilytetään alkuperäispakkauksessa, jos mahdollista.
- Vääränlaisen käytön aiheuttamien vahinkojen, kuten sähköiskun ja tulipalon, välttämiseksi lue ohjeet huolellisesti ennen käyttöä ja säilytä ne huolellisesti myöhempää käyttöä varten.
- Käytä tätä tuotetta käyttöoppaan ohjeiden mukaisesti. Käyttäjät ovat vastuussa kaikista tämän tuotteen epäasianmukaisesta käytöstä aiheutuvista vahingoista.
- Latauksen aikana sammuta ajoneuvo tai siirrä se tiettyyn ei-ajamisen tilaan.
- Älä lataa, jos latausportti tai latauskaapeli on märkä. Lue tämä käyttöohje huolellisesti ennen lataamista.
- Älä lataa skootteria yli 40 ° C:n tai alle 0 ° C:n lämpötilassa.
- Pidä turvallinen etäisyys, kun skootterilla ajetaan tasaisella tiellä / ilman kaltevuutta. Jarrutusmatka pitenee märällä säällä.
- Tämän tuotteen iskunvaimennus ei ole säädettävissä (tarvittaessa).
- Laitetta ei ole tarkoitettu käytettäväksi yli 2000 metrin korkeudessa merenpinnasta.
- Laite on irrotettava virtalähteestään huollon ja osien vaihdon ajaksi.
- Tämän muuntajan (laturin) ulkoista taipuisaa kaapelia tai johtoa ei voi vaihtaa; jos johto vaurioituu, muuntaja (laturi) on romutettava.
- Jos tämän muuntajan ulkoinen taipuisa kaapeli tai johto on vaurioitunut, valmistajan tai tämän huoltoedustajan tai vastaavan pätevyyden omaavan henkilön on vaihdettava se vaaran välttämiseksi.
- Vaarojen välttämiseksi vahingoittuneen virtajohdon saa vaihtaa uuteen vain valmistaja, valmistajan valtuuttama huoltoedustaja tai muu vastaavalla tavalla pätevytetty henkilö.
- Tämä tuote sisältää paristoja, jotka voidaan vaihtaa vain pätevien teknikkojen tai huoltopalvelun toimesta.
- Tämä laite sisältää akkuja, joita vain ammattitaitoiset henkilöt voivat vaihtaa.
- **VAROITUS:** Käytä akun lataamiseen vain tämän laitteen mukana toimitettua irrotettavaa syöttöyksikköä. Älä käytä minkään muun tuotteen akkulaturia. Pidä latauksen aikana turvallinen etäisyys ympäröivistä palavista aineista.
- **VAROITUS:** Älä käytä kolmannen osapuolen akkua tai akkulaturia. Käytä vain FY1505462450.
- **VAROITUS!** Pidä muovinen suojuus poissa lasten ulottuvilta tukehtumisen välttämiseksi.
- **VAROITUS!** Älä koskaan käytä tuotetta vesilähteen lähellä.
- **VAROITUS!** Lopeta tuotteen käyttö, jos se on vaurioitunut.

VAROITUS! Kuten mikä tahansa mekaaninen osa, ajoneuvo on alttiina suurille rasituksille ja kulumiselle. Eri materiaalit ja osat voivat reagoida eri tavoin kulumiseen tai väsymiseen. Jos komponentin odotettu käyttöikä on ylittynyt, se voi rikkoutua äkillisesti, jolloin käyttäjälle voi aiheutua vammoja. Halkeamat, naarmut ja värimuutokset alueilla, joihin kohdistuu suuria rasituksia, viittaavat siihen, että osan käyttöikä on ylittynyt ja ota yhteys valtuutettuun tai erikoistuneeseen korjaamoon.

Varo käsien puristusta ja puristuskohtien vaaraa seuraavissa paikoissa käytön aikana:

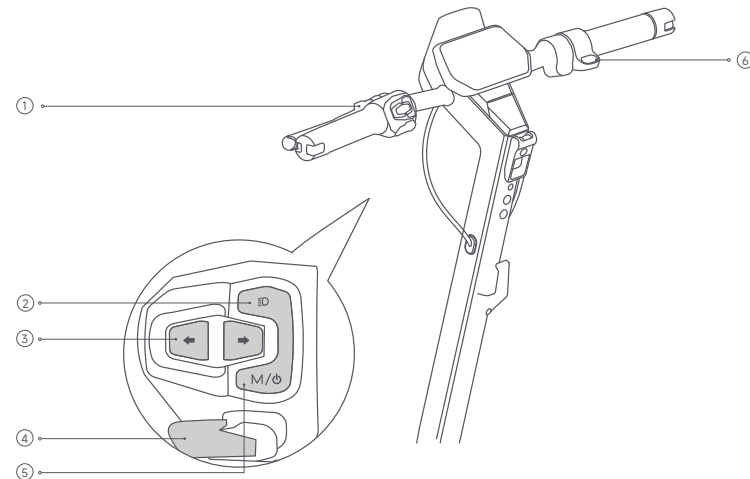
1. Ohjaustangon ja varren välissä asennettaessa ohjaustankoa.
2. Renkaiden avauskohta.
3. Etulokasuojan ja kannen välissä.
4. Pikalukitusvivun ja pikalukitusvivun lukon välissä sekä taittonivelen ja varren välissä, avattaessa tai suljettaessa.
5. Lokasuojien ja renkaan välissä.

Sähköpotkulauta

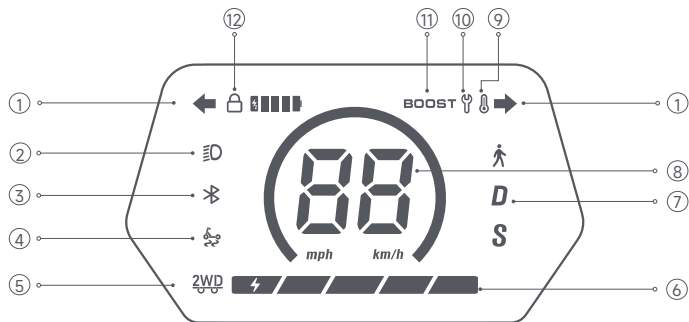


* Käsikirjassa esitetyt kuvat ovat vain havainnollistavia. Todellinen tuote voi vaihdella.

Ohjaustangon painikkeiden toiminnot



- ① Soittokellon vipu: Paina soittaaksesi kellon.
- ② Valopainike: Kun skootteri on päällä, paina kytkeäksesi etu- ja takavalon päälle tai pois.
- ③ Viikkupainikkeet: Paina kytkeäksesi vasemman tai oikean vilkun. Näytön merkkivalo alkaa vilkkua. Paina uudelleen sammuttaaksesi vilkun.
- ④ BOOST-painike: Paina aktivoitaksesi BOOST-toiminnon (vain S-tilassa), ja paina uudelleen poistuaaksesi. Huomautus: Suositellaan vain, kun kuljettaja hallitsee perusohjauksen.
- ⑤ Virtapainike / tilanvaihto: Paina käynnistääksesi. Pidä painettuna 2 sekuntia sammuttaaksesi. Kun skootteri on päällä, kaksoispaina vaihtaaksesi ajotilaa.
- ⑥ Kaasukahva: Paina kiihdyttääksesi (toimii, kun lähtönopeus ylittää 3 km/h). Huomautus: Käynnistysnopeutta voi säätää NAVEE-sovelluksessa.



- ① Vasemman/oikean vilkun ilmaisin: Kun kuvake vilkkuu, vasemman tai oikean puolen vilkku on käytössä.
- ② Valo: Ilmaisee, että ajovalo on päällä.
- ③ Bluetooth: Bluetooth-kuvake palaa, kun skootteri on yhdistetty onnistuneesti mobiililaitteeseen.
- ④ TCS (luistonestojärjestelmä): Kun TCS on käytössä, se ehkäisee liiallista renkaiden luistoa ja parantaa vakautta esimerkiksi liikkeelle lähdössä, kiihdytyksessä ja käännyttyessä. TCS voidaan kytkeä päälle tai pois NAVEE-sovelluksessa.
- ⑤ Kaksipyöräveto (vain NT5 Ultra X): Ilmaisee, että kaksipyöräveto on käytössä. Pidä BOOST-painiketta painettuna 3 sekunnin ajan kytkeäksesi sen päälle tai pois, tai hallitse sitä NAVEE-sovelluksen kautta.
- ⑥ Akun varaustaso: Varaustaso näytetään viidellä palkilla. Jokainen palkki vastaa noin 20 %: a täyteen ladatusta akusta.
- ⑦ Ajoasetukset: tarkoittaa kävelytilaa – enimmäisnopeus 6 km/h. D tarkoittaa tavallista tilaa ja S urheilutilaa.
- ⑧ Nopeusmittari: Näyttää ajonopeuden. Ilmoittaa vikakoodit, jos järjestelmässä havaitaan vika, sekä akun varaustason latauksen aikana.
- ⑨ Lämpötilavaroitus: Lämpömittarin kuvake syttyy, jos akun lämpötila on liian korkea tai matala. Odota, kunnes lämpötila palaa normaalialueelle, ennen kuin käytät tai lataat skootteria.
- ⑩ Virheilmaisin: Kiinteä punainen jakoavaimen kuvake osoittaa järjestelmävian.
- ⑪ BOOST-tila: Ilmaisee, että tehostustoiminto on aktivoitu.
- ⑫ Lukitus: Tämä kuvake syttyy, kun skootteri on lukittu. Skootterin voi lukita tai avata NAVEE-sovelluksella.

3. Huolto ja ylläpito

Puhdistus

Ennen kuin puhdistat skootterin:

Katkaise virta. Irrota latauskaapeli. Varmista, että latausportin kansi on täysin suljettu.

Puhdistus:

Pyyhi skootteri pehmeällä, kostealla liinalla. Itsepintaiseen likaan käytä pehmeää harjaa (esim. hammasharjaa). Viimeistele kuivaamalla kaikki pinnat puhtaalla, kuivalla liinalla.

Vältä seuraavaa:

- Paineesuurin käyttö (voi vahingoittaa sisäisiä komponentteja).
- Syövyttävien puhdistusaineiden käyttö (voi vahingoittaa ulkoisia ja sisäisiä osia).

Akun hoito

Parhaan akun käyttöiän saavuttamiseksi:

Vältä akun täydellistä tyhjentymistä. Lataa säännöllisesti.

Pidä käyttö-, lataus- ja säilytyslämpötilat aina teknisissä tiedoissa määritellyissä rajoissa.

Jos skootteria ei käytetä pitkään aikaan, lataa akku 60 päivän välein akun vaurioitumisen estämiseksi. Täyteen ladattu skootteri voi pysyä valmiustilassa noin 120–180 päivää.

Akkuvaroitukset:

- Käytä vain skootterin mukana toimitettua alkuperäistä laturia ja akkua.
- Älä koskaan käytä toisen mallin tai merkin akkua tai laturia.
- Älä lataa tai käytä skootteria, jos akku on vaurioitunut tai kastunut.
- Älä yritä irrottaa akkua itse — se vaatii ammattimaista huoltoa.

Säilytys

Jos säilytät skootteria pitkään:

Lataa akku täyteen. Sammuta skootteri. Säilytä viileässä ja kuivassa paikassa, poissa suorasta auringonvalosta ja kosteudesta.

Käytä alkuperäispakkausta kuljetukseen, jos se on saatavilla.

Säilytysohjeet:

- Pidä skootteri poissa syttyvistä materiaaleista.
- Vältä säilyttämistä suorassa auringonvalossa tai erittäin kosteassa ympäristössä.
- Tämä tuote sisältää litiumakun. Noudata paikallisia lakeja kuljetuksesta ja varastoinnista.

Ympäristötiedote

Skootteri sisältää ladattavan litiumioniakun, ja näiden akkujen virheellinen hävittäminen aiheuttaa haittaa ympäristölle. Noudata alla olevia ohjeita akkujen poistamiseksi ennen skootterin hävittämistä ja hävitä akut asianmukaisesti:

- Ennen akun irrottamista varmista, että skootteri on sammutettu ja että akku on täysin tyhjentynyt. Irrota ruuvit, jotka kiinnittävät muoviosat, seisontatuen, akkulokeron kannen ja ohjausyksikön kannen, ja poista sitten kukin osa varovasti.
- Irrota akkujen liitin ja poista sitten akut. Älä vahingoita akkukotelo loukkaantumisvaaran välttämiseksi. Älä käytä akkua, jos se on vaurioitunut, jos se haisee oudolta, jos siitä tulee savua tai jos se ylikuumentuu. Pidä vuotava paristo kaukana muista esineistä.
- Kierrätä poistettu akku sertifioidussa akkujen kierrätyslaitoksessa.

Skootterin huoltoaikataulu (suositeltava):

Skootterin säännöllinen huolto auttaa pitämään skootterin siistinä ja hyvässä kunnossa, välttämään turvallisuusriskejä, minimoimaan rikkoutumiset, hidastamaan skootterin heikkenemistä ja pidentämään skootterin käyttöikää.

Nimike	Huoltokohde	Toiminnot	Kerran kuukaudessa	3 kuukauden välein	500 km / 6 kuukauden välein	1 000 km / 1 vuoden välein	10 000 km / 3 vuoden välein
Renkaat	Renkaan kulutuspinnan kuluminen	Tarkista, onko rengas halkeillut, epämuodostunut, kulunut jne.		✓	✓	✓	✓
Ruuvit	Ohjaustangon kokoonpanon ruuvit	Kiristä ruuvi, joka yhdistää ohjaustankokokoonpanon variasennelmaan (suositeltu vääntömomentti $4,5 \pm 0,5$ N-m).		✓	✓	✓	✓
		Kiristä kiihdytsruuvi (suositeltu vääntömomentti $2,5 \pm 0,1$ N-m).				✓	✓
	Kiristä jarruvivun ruuvi (suositeltu vääntömomentti $5,5 \pm 0,2$ N-m).						
Levyjarrusatula		Kiristä levyjarrusatulan kiinnitysruuvi (suositeltu vääntömomentti $7,0 \pm 0,5$ N-m)		✓	✓	✓	✓

Nimike	Huoltokohde	Toiminnot	Kerran kuukaudessa	3 kuukauden välein	500 km / 6 kuukauden välein	1 000 km / 1 vuoden välein	10 000 km / 3 vuoden välein
Tehtävät	Jarrun säätö	Ennen säätöä hanki itsellesi 4 mm:n jakoavain (käyttäjän valmistama) ja tee varmista, että skootteri on sammutettu eikä sitä ladata. Säädön aikana vedä jarruvaijerin päähän, jotta vaijeri saadaan kireälle. Jos jarru on liian kireällä, löysää työkalun avulla ruuvi kääntämällä sitä vastapäivään, vedä levyä jarrun keinuvarvasta ulospäin ja kiristä sitten ruuvi ruuvi. Jos jarru on liian löysällä, käytä työkalua apuna, löysää ruuvia kääntämällä sitä vastapäivään, Työnnä levyjarrun keinuvarvasta eteenpäin ja sitten kiristä ruuvi.		✓	✓	✓	
	Lataaminen	Lataa skootteri sopivassa lämpötilassa. Akkulatorin merkivalo on punainen, kun skootteri latautuu, ja muuttuu vihreäksi, kun skootteri on ladattu täyteen. Ohjauspaneeli näyttää lataustilan samanaikaisesti latauksen aikana.			✓	✓	✓
	Ohjaus	Käänä ohjaustankoa 60° vasemmalle ja oikealle varmistaaksesi, että kääntökulma on oikea ja että ohjauksessa ei ole vastusta eikä jumiumista.				✓	✓
Tärkeitä komponentteja	Akun kokoonpano	Lataa skootteri täyteen, ennen kuin jätät sen käyttämättä pitkäksi aikaa, ja lataa se 60 päivän välein.					✓

Jos pyörät, jarrupalat ja muut herkat osat ovat kuluneet tai vaurioituneet ja ne on vaihdettava, ota yhteyttä huoltopalveluun ajoissa.

Sertifioidun huoltopisteen löytämiseksi ota yhteyttä osoitteeseen service@navee.tech tai vieraile osoitteessa <https://www.naveetech.com>.

4. Tiedot

Tuote	Nimi	NAVEE -sähköpotkulauta					
	Malli	NT5 Max EU	NT5 Max DE	NT5 Max IT	NT5 Max SE	NT5 Max AT	
Mitat	Ajoneuvo: P × L × K (mm) ^[1]	1250 × 625 × 1355					
	Kokoonlaiton jälkeen: P × L × K (mm)	1250 × 625 × 645					
Nettopaino	Ajoneuvon nettopaino (kg)	33,5					
	Kuormitus (kg)	25-150					
Kuljettaja	Ikä (vuotta)	16-50					
	Rungon pituus (cm)	120-200					
	Enimmäisnopeus (km/h)	25	20	25	20	25	
Koottu sähköpotkulauta	Enimmäiskantama (km) ^[2]	85					
	Kantama täydellä nopeudella (km) ^[3]	53	75	53	75	53	
	Suurin nousukulma (%)	28					
	Sopivat pinnat	Sementti tai asfalttiet, joiden kohoumat ovat alle 1 cm korkeita tai halkeamat alle 3 cm leveitä					
	Käyttölämpötila (°C)	-10 to 40					
	Varastointilämpötila (°C)	-20 to 45					
	IP-luokitus	IPX6					
	Latausaika (h)	Approx. 5-6					
	Akku	Malli	T2545-BD1A				
		Nimellisjännite (VDC)	46,8				
Suurin latausjännite (VDC)		54,6					
Nimellisenenergia (Wh)		561,6					
Älykäs akun hallintajärjestelmä		Ylikuumeneminen, oikosulku, ylivirta, liiallinen purkautuminen, yllilataussuoja					
Tavallinen latauslämpötila (°C)		0 to 40					
Nimelliskapasiteetti (Ah)		12					
Napamoottori	Nimellisteho (kW; W)	0,7; 700	0,5; 500	0,5; 500	0,25; 250	0,6; 600	
Akkulaturi	Malli ^[4]	FY1505462450					
	Lähtöteho (kW; W)	0,133; 133,77					
	Tulo	100-240 V- 50/60 Hz					
	Nimellislähtö (VDC; A)	54,6 ; 2,45					
Rengas	Etu- ja takarenkaat	Maastorenkaat 10,5 tuumaa, joissa on hyvä pito					
Bluetooth	Taajuuskaista (s)	2.4000 - 2.4835 GHz					
	Suurin RF-teho (mW)	8					

[1] Ajoneuvon korkeus: maasta skootterin yläosaan.

[2] Enimmäiskantama: mitattu 25 °C:ssa tuulettomissa olosuhteissa, täysin ladatulla skootterilla, joka kulkee 15 km/h tasaisella pinnalla 75 kg kuormalla.

[3] Kantama täydellä nopeudella: mitattu 25 °C:ssa ilman tuulta, täysin ladatulla skootterilla, joka kulkee täydellä nopeudella tasaisella pinnalla 75 kg kuormalla.

[4] Käytä vain pakkauksessa mukana tullutta laturia akun lataamiseen.

Tuote	Nimi	NAVEE -sähköpotkulauta				
	Malli	NT5 Ultra X EU	NT5 Ultra X DE	NT5 Ultra X IT	NT5 Ultra X SE	NT5 Ultra X AT
Mitat	Ajoneuvo: P × L × K (mm) ^[1]	1250 × 625 × 1355				
	Kokoonlaiton jälkeen: P × L × K (mm)	1250 × 625 × 645				
Nettopaino	Ajoneuvon nettopaino (kg)	36,5				
Kuljettaja	Kuormitus (kg)	25-150				
	Ikä (vuotta)	16-50				
	Rungon pituus (cm)	120-200				
Koottu sähköpotkulauta	Enimmäisnopeus (km/h)	25	20	20	20	25
	Enimmäiskantama (km) ^[2]	90				
	Kantama täydellä nopeudella (km) ^[3]	66	78	78	78	66
	Suurin nousukulma (%)	45				
	Sopivat pinnat	Sementti tai asfalttiet, joiden kohoumat ovat alle 1 cm korkeita tai halkeamat alle 3 cm leveitä				
	Käyttölämpötila (°C)	-10 to 40				
	Varastointilämpötila (°C)	-20 to 45				
	IP-luokitus	IPX6				
	Latausaika (h)	Approx. 7-8				
	Akku	Malli	T2443-BD6A			
Nimellisjännite (VDC)		46,8				
Suurin latausjännite (VDC)		54,6				
Nimellisenenergia (Wh)		898,56				
Älykäs akun hallintajärjestelmä		Ylikuumeneminen, oikosulku, ylivirta, liiallinen purkautuminen, yllilataussuoja				
Tavallinen latauslämpötila (°C)		0 to 40				
Nimelliskapasiteetti (Ah)		19,2				
Napamoottori	Nimellisteho (kW; W)	0,5 × 2; 500 × 2	0,25 × 2; 250 × 2	0,25 × 2; 250 × 2	0,125 × 2; 125 × 2	0,3 × 2; 300 × 2
Akkulaturi	Malli ^[4]	FY1505462450				
	Lähtöteho (kW; W)	0,133; 133,77				
	Tulo	100-240 V- 50/60 Hz				
	Nimellislähtö (VDC; A)	54,6 ; 2,45				
Rengas	Etu- ja takarenkaat	Maastorenkaat 10,5 tuumaa, joissa on hyvä pito				
Bluetooth	Taajuuskaista (s)	2.4000 - 2.4835 GHz				
	Suurin RF-teho (mW)	8				

[1] Ajoneuvon korkeus: maasta skootterin yläosaan.

[2] Enimmäiskantama: mitattu 25 °C:ssa tuulettomissa olosuhteissa, täysin ladatulla skootterilla, joka kulkee 15 km/h tasaisella pinnalla 75 kg kuormalla.

[3] Kantama täydellä nopeudella: mitattu 25 °C:ssa ilman tuulta, täysin ladatulla skootterilla, joka kulkee täydellä nopeudella tasaisella pinnalla 75 kg kuormalla.

[4] Käytä vain pakkauksessa mukana tullutta laturia akun lataamiseen.

5. Sertifiointi

Direktiivi vaarallista aineista sähkö- ja elektroniikkalaitteissa (RoHS)

Tämä SPACEWALKER PTE. LTD. -tuote ja siihen sisältyvät osat (kaapelit, johdot ja niin edelleen) täyttävät tiettyjen vaarallisten aineiden käyttöä sähkö- ja elektroniikkalaitteissa koskevan rajoituksen 2011/65/EU liite II ja sen muutosdirektiivin (EU) 2015/863.

EU:n vaatimustenmukaisuusvakuutus



Tämä laite vastaa EU:n vaatimuksia, jotka koskevat elektromagneettisille kentille altistumista. SPACEWALKER PTE. LTD. ilmoittaa täten, että radiolaitetyypit: [NT5 Max EU], [NT5 Max DE], [NT5 Max IT], [NT5 Max SE], [NT5 Max AT], [NT5 Ultra X EU], [NT5 Ultra X DE], [NT5 Ultra X IT], [NT5 Ultra X SE] ja [NT5 Ultra X AT] ovat direktiivin 2014/53/EU ja 2006/42/EY mukaisia. EU:n vaatimustenmukaisuutta koskeva teksti löytyy kokonaisuudessaan seuraavasta osoitteesta: www.naveetech.com

European unionin vaatimustenmukaisuusilmoitus Akun kierrätystiedot Euroopan unionissa



Paristot tai niiden pakkaukset on merkitty EU-asetuksen 2023/1542 mukaisesti, joka koskee paristoja, akkuja ja niiden jätteitä. Direktiivi määrittää viitekehysten käytettyjen paristojen ja akkujen palautukselle ja kierrätykselle soveltuen koko Euroopan unioniin. Tämä merkintä kuuluu laittaa erilaisiin akkuihin sen ilmaisemiseksi, että akkua ei pidä heittää pois, vaan kierrättää sen käyttöön lopuksi kuten tässä direktiivissä määrätty.

EU-asetuksen 2023/1542 mukaisesti paristot ja akut on merkitty siten, että ne on kerättävä erikseen ja kierrätettävä käyttöön päätyttyä. Akun merkintään voi sisältyä myös akun pääasiallisen metallin ilmaiseva kemiallinen merkki (Pb jos lyijy, Hg jos elohopea ja Cd jos kadmium). Akkujen ja paristojen käyttäjien täytyy toimittaa akkunsaa paristonsa asiakkaille tarkoitettuun verkostoon, joka toimii akkujen ja paristojen palauttamista, kierrätystä ja käsittelyä varten – eikä laittaa akkuja ja paristoja lajittelemattoman kotitalousjätteen mukaan. Asiakkaiden osallistuminen on tärkeää kaikenlaisten mahdollisten häittävien vaikutusten minimoimiseksi, joita akuista ja paristoista voi koitua ympäristölle ja ihmisten terveydelle vaarallisten aineiden mahdollisesta läsnäolosta johtuen.

Ennen sähkö- ja elektroniikkatavaran toimittamista jätteenkeräyskiertoon tai kierrätyslaitoksiin, akkuja ja paristoja sisältävien laitteiden loppukäyttäjien on eroteltava nämä akut ja paristot erillistä keräystä varten.

Direktiivi sähkö- ja elektroniikkaromusta (SER)



Kaikki tällä symbolilla merkityt tuotteet ovat sähkö- ja elektroniikkaromua (WEEE kuten direktiivissä 2012/19/EU), joita ei saa sekoittaa lajittelemattomaan kotitalousjätteeseen. Sen sijaan sinun on suojeltava ihmisten terveyttä ja ympäristöstä luovuttamalla romulaitteet nimettyyn sähkö- ja elektroniikkaromun kierrätyspisteeseen, jonka hallitus tai paikallisviranomaiset ovat osoittaneet. Oikea hävittäminen ja kierrätys auttavat estämään mahdolliset kielteiset vaikutukset ympäristöön ja ihmisten terveyteen. Ota yhteyttä asentajaan tai paikallisiin viranomaisiin saadaksesi lisätietoja tällaisten keräyspisteiden sijainnista ja käyttöehdoista.

Turvavaroitus



Vaara!
Lue käyttöohjeet ennen käyttöä.



VAROITUS!
Lue huolellisesti ja säilytä myöhempää käyttöä varten.



Älä altista kosteudelle



Valo



SMPS, jossa on oikosulkukestävä turvamuuntaja (luonnostaan tai luonnostaan)



SMPS (kytkentätoiminen virtalähde)



Aika-viiveinen minisulakkeellinen sulakelinkei, jossa X on IEC 60127:n mukainen aika/virta-ominaisuutta kuvaava symboli



VAROITUS!
Vain sisäkäyttöön (laturia varten).



VAROITUS
Luokan II laite



VAROITUS
Terävät reunat



Laturi on tarkoitettu käytettäväksi korkeintaan 5000 metrin korkeudessa.



Viikkuvalo



Tasavirta



Vaihtovirta



Laturin ulostulon napaisuus, keskipiste positiivinen

Akkulaturi

VAROITUS

1. Laturi on suunniteltu vain sisäkäyttöön. Älä altista sitä sateelle tai lumelle.
2. Älä käytä muita kuin ladattavia akkuja, sillä ne voivat ylikuumentua ja rikkoutua.
3. Muun tyyppisten akkujen väärinkäyttö saattaa tuottaa räjähtyksen ja aiheuttaa henkilövammoja ja vahinkoja.
4. Älä polta, pura tai oikosulje akkuja.
5. Jos akkujen suorituskyky heikkenee huomattavasti, on aika vaihtaa akut.
6. Säilytä laturi viileässä ja kuivassa paikassa, kun sitä ei käytetä.
7. Katkaise virta ennen kuin yhdistät tai asetat liitännät akkuun.
8. Räjähdyksenvaaralliset kaasut. Estä liekit ja kipinät. Huolehdi riittävästä ilmanvaihdosta latauksen aikana.
9. Latauksen aikana akku on sijoitettava hyvin ilmastoituun tilaan.
10. Pidä sähkölaitteet poissa lasten tai heikkokuntoisten henkilöiden ulottuvilta. Älä anna heidän käyttää laitteita ilman valvontaa.
11. Tätä laitetta ei ole tarkoitettu sellaisten henkilöiden (mukaan lukien lapset) käyttöön, joilla on heikentyneet fyysiset, sensoriset tai henkiset kyvyt tai joilla ei ole riittävästi kokemusta tai tietoa, ellei heidän turvallisuudestaan vastaava henkilö ole valvonut tai opastanut heitä laitteen käytössä.
12. Tätä laitetta voivat käyttää vähintään 8-vuotiaat lapset ja henkilöt, joilla on heikentyneet fyysiset, sensoriset tai psyykkiset kyvyt tai joilla ei ole riittävästi kokemusta tai tietoa, jos he ovat saaneet valvontaa tai opastusta laitteen turvallisesta käytöstä ja ymmärtävät siihen liittyvät vaarat. Lapset eivät saa leikkiä laitteella. Lapset eivät saa suorittaa puhdistusta ja huoltoa ilman valvontaa.
13. Tämän muuntajan ulkoista taipuisaa kaapelia tai johtoa ei voi vaihtaa; jos johto on vaurioitunut, on muuntaja romutettava.
14. Jos syöttöjohto on vaurioitunut, se on korvattava erikoisjohdolla tai -kokoonpanolla, joka on saatavana valmistajalta tai sen huoltoilikkeeltä.

Latausohjeet

1. Kytke laturi suoraan virtalähteeseen. Älä koskaan käytä jatkojohtoa.
2. Laturi voi ladata vain litiumioniakkua.
3. Vältä käänteistä latausta.
4. Latureita ei ole tarkoitettu autojen akkujen lataamiseen.



irrotettava virtalähteen osa

Akku

VAROITUS

1. Älä pura, avaa tai silppua toissijaisia kennoja tai paristoja.
2. Pidä paristot poissa lasten ulottuvilta Paristojen käyttöä lasten toimesta on valvottava. Pidä erityisesti pienet paristot poissa pienten lasten ulottuvilta.
3. Hakeudu välittömästi lääkäriin, jos kenno tai paristo on nieltä.
4. Älä altista kennoja tai paristoja kuumuudelle tai tulelle. Vältä varastointia suorassa auringonvalossa.
5. Älä oikosulje kennoa tai paristoa. Älä säilytä kennoja tai paristoja sattumanvaraisesti laatikossa tai lipastossa, jossa ne voivat oikosulkea toisiaan tai joutua oikosulkuun muiden metalliesineiden kanssa.
6. Älä poista kennoa tai paristoa alkuperäisestä pakkauksestaan ennen kuin sitä tarvitaan.
7. Älä altista kennoja tai paristoja mekaanisille iskuille.
8. Jos kenno vuotaa, neste ei saa joutua kosketuksiin ihon tai silmien kanssa. Jos neste on tullut kosketuksiin, pese vahingoittunut alue runsaalla vedellä ja hakeudu lääkäriin.
9. Älä käytä muuta kuin laitteen kanssa käytettäväksi tarkoitettua laturia.
10. Huomioi kennon, pariston ja laitteiden plus- (+) ja miinusmerkit (-) ja varmista oikea käyttö.
11. Älä käytä kennoa tai paristoa, jota ei ole suunniteltu käytettäväksi laitteen kanssa.
12. Älä sekoita eri valmistajan, kapasiteetin, koon tai tyyppin paristoja laitteessa.
13. Osta aina laitteen valmistajan laitteelle suosittelema paristo.
14. Pidä kennot ja paristot puhtaina ja kuivina.
15. Pyyhi kennon tai pariston navat puhtaalla kuivalla liinalla, jos ne liikaantuvat.
16. Toissijaiset kennot ja paristot on ladattava ennen käyttöä. Käytä aina oikeaa laturia ja tutustu valmistajan ohjeisiin tai laitteen käyttöoppaaseen oikeiden latausohjeiden saamiseksi.
17. Älä jätä paristoa pitkäksi aikaa lataukseen, kun sitä ei käytetä.
18. Pitkään säilytyksen jälkeen voi olla tarpeen ladata ja purkaa kennoja tai paristoja useita kertoja, jotta saavutetaan paras mahdollinen suorituskyky.
19. Säilytä alkuperäiset tuoteselosteet myöhempiä käyttöä varten.
20. Käytä kennoa tai paristoa vain siinä sovelluksessa, johon se on tarkoitettu.
21. Irrota paristo laitteesta, kun se ei ole käytössä.
22. Hävitä asianmukaisesti

Takuu yhteenveto

Tämä tuote sisältää rajoitetun takuun, joka kattaa valmistusvirheet tietyin ajan ostopäivästä. Takuuehdot, kesto ja palvelun saatavuus voivat vaihdella maittain tai alueittain. Takuu ei kata väärinkäytöstä, onnettomuuksista tai valtuuttamattomista korjauksista aiheutuneita vahinkoja. Tarkkoja ehtoja ja paikallista tukea varten vieraile osoitteessa <https://service.naveetech.com>.

1. Sikkerhetsinstruksjoner

Originale instruksjoner

VIKTIG! Pelase les nøye før du bruker produktet, og ta vare på det til senere bruk.

For detaljert e-manuell, vennligst besøk www.naveetech.com

- Dette apparatet er ikke beregnet for bruk av personer (inkludert barn) med reduserte fysiske, sensoriske eller mentale evner, eller mangel på erfaring og kunnskap, med mindre de har fått tilsyn eller instruksjoner om bruk av apparatet av en person som er ansvarlig for deres sikkerhet. Barn må holdes under oppsyn for å sikre at de ikke leker med apparatet.
- Dette apparatet er beregnet på ryttere over 8 år og personer med fysiske og personer med reduserte fysiske, sensoriske eller mentale evner eller mangel på erfaring og kunnskap hvis de har fått tilsyn eller instruksjoner om bruk av apparatet på en sikker måte og forstår farene som er involvert. Barn skal ikke leke med apparatet. Rengjøring og brukervedlikehold skal ikke gjøres av barn uten tilsyn.
- Apparatet skal kun brukes sammen med strømforsyningsenheten som følger med apparatet.
- Før kjøring, bruk til enhver tid hjelm, hånd-/håndledd-beskyttelse, knebeskyttelse, albueskyttelse og annet beskyttelsesutstyr.
- Scooteren skal kun brukes av en person. Du er forpliktet til å alltid bruke sko. Ikke legg om bruken av dette kjøretøyet. Dette produktet er kun beregnet på privat bruk, og er ikke beregnet på akrobatisk bruk.
- Produktet anbefales for ryttere over 16 år og under 50 år. Personer som ikke egner seg for bruk av dette produktet, inkluderer: (1) Personer under påvirkning av alkohol eller narkotika. (2) Personer som på grunn av sykdom eller medisinske tilstander ikke kan utføre fysisk anstrengelse. (3) Personer med dårlig balanse eller svekkede motoriske ferdigheter. (4) Personer som overstiger produktets vektgrense. (5) Gravide kvinner. (6) Personer med nedsatt syn eller hørsel.
- Følg lokale lover og forskrifter når du kjører dette produktet. Ikke kjør der det er forbudt i henhold til lokale lover.
- I land eller regioner hvor det per i dag ikke finnes nasjonale standarder eller forskrifter for elektriske sparkesykler, må du nøye følge sikkerhetsinstruksjonene i denne brukermanualen når du bruker produktet. Unnlattelse av dette kan medføre sikkerhetsrisiko for barn. SPACEWALKER PTE. LTD. kan ikke holdes direkte eller solidarisk ansvarlig for personskade, skade på eiendom, ulykker, juridiske tvister eller andre negative konsekvenser som følge av feilbruk eller bruk i strid med instruksjonene i denne manualen.
- Ikke kjør i kjørefelt eller boligområder der både kjøretøy og fotgjengere er tillatt. Når du passerer gjennom et sted utpekt for fotgjengere som har rett til rett til veis lover som crosswalk, vennligst gå av for å gå sammen med scooteren.
- Krevde forberedelser for bruk av dette produktet inkluderer: Forsikre at styresystemet er skikkelig justert, at alt tilkoblet tilbehør (som foldesystemet) er skikkelig strammet og uskadet, og at bremsene og hjulene er i god stand.
- Utfør en grunnleggende inspeksjon av den elektriske scooteren før hver tur. Hvis det er unormale forhold som løse deler, varsler om lavt batterinivå, flate dekk eller overdreven slitasje på dekk, merkelige lyder, funksjonsfeil og andre unormale forhold, slutt å sykle umiddelbart og ring etter profesjonell støtte.
- Ta deg tid til å lære det grunnleggende for å unngå alvorlige ulykker i de første månedene. Informasjon om bruk og sikkerhet finnes på nettsiden: www.naveetech.com
- Sørg for god sikt og at andre kan se deg mens du kjører.
- Ikke sykle i dårlig vær, lav sikt eller etter intens fysisk anstrengelse.

- Ikke skru på frontlyset og senk farten når du kjører i mørket.
- Forsikre deg om at støtten er plassert på en flat overflate og at sparkesykkelen er stabil nok til å stå alene før du forlater den.
- Denne elektriske scooteren er en fritidsenhet. Men når du går inn i et offentlig område, vil det bli ansett som et transportmiddel og underlagt mulige sikkerhetsrisikoer for alle transportmidler. Hvis du kjører strengt i henhold til instruksjonene i denne håndboken, vil du og andre i størst mulig grad beskytte deg og andre.
- Brukeren bør kontrollere bruksbegrensningene i henhold til lokale forskrifter. Kjør scooteren på veiene eller områdene som er tillatt i henhold til lokale forskrifter og lover, og parker den i de tillatte områdene. Maksimal hastighet på scooteren er begrenset til 25 km / t. Hvis de lokale forskriftene og lovene har forskjellige bestemmelser om maksimal hastighet, vil de lokale forskriftene og lovene ha forrang. Respekter og følg trafiksikkerhet og kjøretøyregler.
- Respekter fotgjengernes veirett. Prøv å ikke skremme dem mens du kjører, spesielt barn. Når du sykler bakfra fotgjengere, ring klokken for å gi dem en heads-up og sakte scooteren ned for å passere fra venstre, og hold til høyre i lav hastighet mens du sykler over dem (gjelder for land der kjøretøy kjører til høyre). Når du kjører over fotgjengere, må du holde den laveste hastigheten eller gå av kjøretøyet.
- I alle fall kan du forutse banen og hastigheten din mens du respekterer veikoden, koden til fortuet og de mest sårbare. Informer deg når du nærmer deg en fotgjenger eller syklist når du ikke blir sett eller hørt. Kryss de beskyttede passasjene mens du går. Kryss de beskyttede passasjene mens du går. Unngå områder med høy trafikk eller overbefolkede områder.
- Kjøring med høy hastighet eller en hastighet som ikke er passende eller tilstrekkelig for situasjonen (dårlige værforhold, dårlige overflateforhold eller lignende) kan føre til potensielt tap av stabilitet eller tap av kontroll. For å redusere risikoen må du følge alle instruksjonene i denne håndboken. Vær forsiktig når du monterer og demonterer produktet, det kan falle og forårsake skade.
- Trafikken i byen har mange hindringer å krysse, for eksempel fortauskanten eller trapper. Det anbefales å unngå hinderhopp. Det er viktig å forutse og tilpasse banen og hastigheten til en fotgjenger før du krysser disse hindringene. Det anbefales også å komme seg ut av kjøretøyet når disse hindringene blir farlige på grunn av form, høyde eller glidning.
- Ikke lån ut scooteren din til den som ikke kjenner operasjonene. Før du låner ut den elektriske scooteren til andre, må du sørge for at rytteren har lest denne bruksanvisningen og sett instruksjonsvideoen, og forstått den grunnleggende operasjonen. Minn rytterne på å bruke sikkerhetsbeskyttelse på riktig måte for å sikre passasjerens sikkerhet.
- Kontakt selgeren for å få riktige opplæringsorganisasjoner.
- I alle tilfeller, ta vare på deg selv og andre.
- Enhver last som er festet til styret vil påvirke kjøretøyets stabilitet.
- Ikke berør bremsesystemet, det kan forårsake skader på grunn av skarpe kanter. Bremsen kan bli varm i bruk. Ikke berør etter bruk.
- Lydtrykknivået for A-vektet utslipp er mindre enn 70 dB(A).
- For en bedre kjøreopplevelse anbefales det å utføre et regelmessig vedlikehold av produktet.
- Fjern eventuelle skarpe kanter forårsaket av bruk.
- Tilbehør og eventuelle tilleggsartikler som ikke er godkjent av produsenten skal ikke brukes.
- Regelmessig vedlikehold av kjøretøyet er en viktig faktor for sikkerhet.

- De selvstrammende mutrene så vel som andre selvstrammende fester kan miste sin effektivitet og kan trenge etterstramming.
- Kontroller regelmessig strammingen av de forskjellige boltede elementene, spesielt hjulakslene, foldesystemet, styresystemet og bremseakselen.
- Ikke modifier eller transformer kjøretøyet, inkludert styrerøret og hylsen, stammen, foldemekanismen og bakbremsen.
- Ikke foreta noen modifikasjoner som ikke er nevnt i instruksjonene.
- Forsikre deg om at scooteren er slått av når den transporteres og oppbevares i originalemballasjen hvis mulig.
- For å unngå utilsiktede skader som elektrisk støt og brann forårsaket av feil bruk, vennligst les instruksjonene nøye før bruk, og oppbevar dem riktig for fremtidig bruk.
- Bruk dette produktet i henhold til instruksjonene i brukerhåndboken. Brukere er ansvarlige for eventuelle tap eller skader som oppstår som følge av feil bruk av dette produktet.
- Slå av kjøretøyet eller sett det i ikke-operasjonell modus under lading.
- Ikke lad hvis ladeporten eller ladekabelen er våt. Les denne bruksanvisningen nøye før lading.
- Ikke lad scooteren ved en omgivelsestemperatur over 40 ° C eller under 0 ° C.
- Hold god avstand når scooteren kjøres på en jevn vei uten stigning. Bremselengden vil øke i vått vær.
- Støtdempingen på dette produktet kan ikke justeres (hvis aktuelt).
- Sparkesykkelen er ikke beregnet for bruk i høyder over 2000 m over havet.
- Apparatet skal kobles fra strømkilden under service og ved utskifting av deler.
- Den eksterne fleksible kabelen eller ledningen til denne transformatoren (laderen) kan ikke skiftes ut; hvis ledningen er skadet, skal transformatoren (laderen) kasseres.
- Hvis den eksterne fleksible kabelen eller kabelen til denne transformatoren er skadet, må den byttes ut av produsenten, serviceagenten deres eller lignende kvalifisert person for å unngå fare.
- Hvis forsyningskabelen er skadet, må den byttes av produsenten, serviceagenten deres eller lignende kvalifisert person for å unngå fare.
- Dette produktet inneholder batterier som bare kan skiftes ut av kvalifiserte teknikere eller kundeservice.
- Dette apparatet inneholder batterier som kun kan byttes av kvalifiserte personer.
- **ADVARSEL:** Når det gjelder lading av batteriet, må du bare bruke den avtakbare tilførselsenheten som følger med dette apparatet. Ikke bruk batterilader fra andre produkter. Hold trygg avstand til de omkringliggende brennbare brennbare når du lader.
- **ADVARSEL:** Ikke bruk noe tredjepartsbatteri eller batterilader. Skal bare brukes med FY1505462450.
- **ADVARSEL!** Hold plastdekselet unna barn for å unngå kvelning.
- **ADVARSEL!** Bruk aldri produktet i nærheten av en vannkilde.
- **ADVARSEL!** Slutt å bruke produktet når det er skadet.
- **ADVARSEL!** Som med alle mekaniske komponenter, er et kjøretøy utsatt for høye belastninger og slitasje.

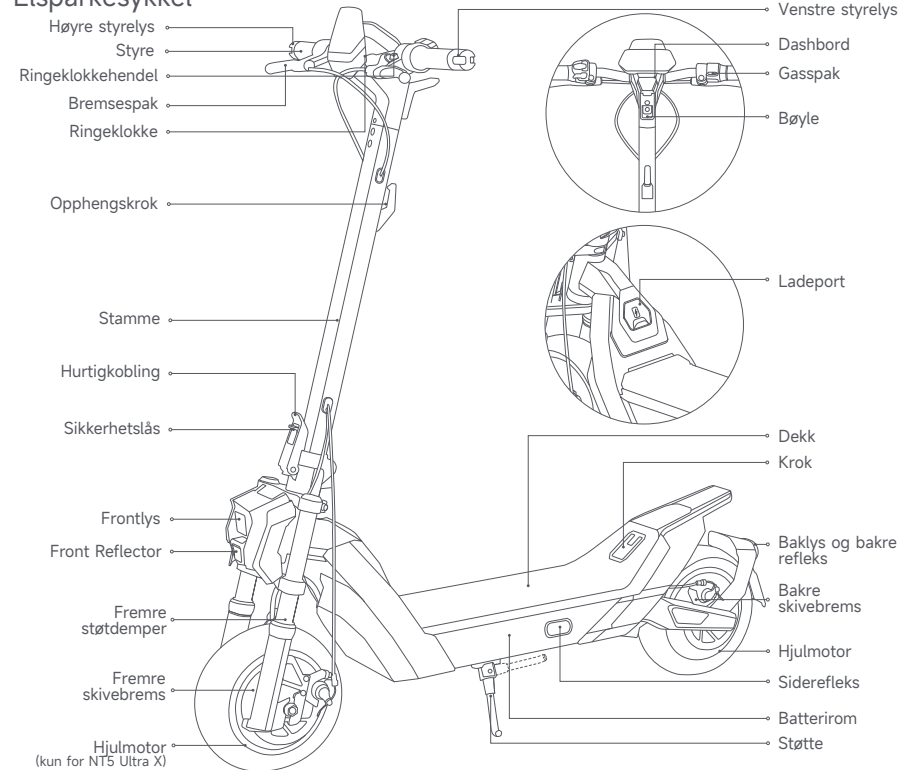
De ulike materialene og komponentene kan reagere forskjellig på slitasje eller tretthet. Hvis forventet levetid for en komponent er overskredet, kan den brytes plutselig, og dermed risikere å forårsake skader på brukeren. Sprekker, riper og misfarging i områdene med høy belastning indikerer at komponenten har overskredet levetiden og ta kontakt med en autorisert eller spesialisert reparatør.

Vær oppmerksom på fare for klemskader på hender og lempnker på følgende steder under bruk:

1. Mellom styret og styrestammen når styret monteres.
2. Åpninger på hjulene.
3. Mellom frontskjermen og brettet.
4. Mellom hurtigtutløseren og hurtigtutløserlåsen, og mellom foldeskjorten og styrestammen når du folder eller folder ut.
5. Mellom skjermene og hjulene.

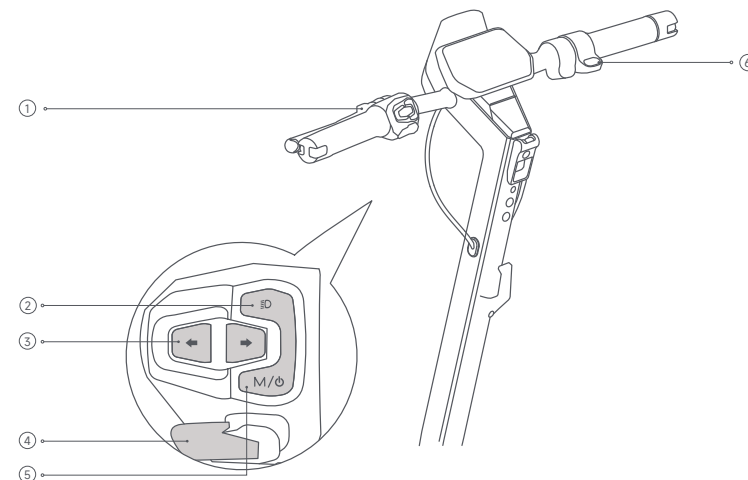
2. Produktoversikt

Elsparkesykkel

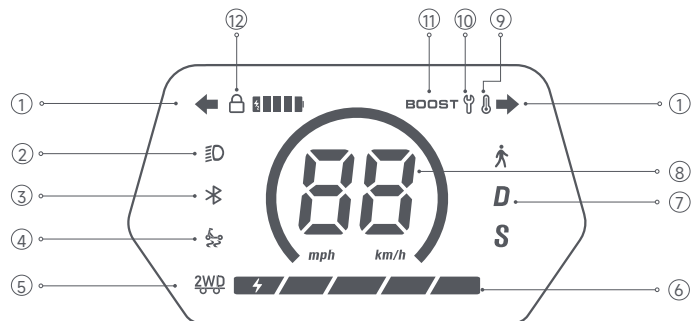


* Bildene som vises er kun til illustrasjonsformål. Faktisk produkt kan variere.

Styreknappenes funksjoner



- ① Ringeknapp: Trykk for å ringe med bjellen.
- ② Lysknapp: Når sparkesykkelen er på, trykk for å slå på eller av front- og baklys.
- ③ Blinklys-knapper: Trykk for å aktivere venstre eller høyre blinklys. Det tilsvarende signalet og indikatoren på skjermen begynner å blinke. Trykk igjen for å slå det av.
- ④ BOOST-knapp: Trykk for å aktivere BOOST-funksjonen (kun tilgjengelig i S-modus), og trykk igjen for å avslutte. Merk: Anbefales kun etter at føreren har mestret grunnleggende kontroll.
- ⑤ Strømknapp / Modusbytte: Trykk for å slå på. Hold inne i 2 sekunder for å slå av. Når på, trykk to ganger for å bytte kjøremodus.
- ⑥ Gasspedal: Trykk for å akselerere (fungerer når startfarten er over 3 km/t). Merk: Startfarten kan justeres i NAVEE-appen.



- ① Venstre/Høyre blinkysindikator: Når ikonet blinker, betyr det at blinklyset til venstre/høyre er aktivert.
- ② Lys: Indikerer at frontlyset er slått på.
- ③ Bluetooth: Bluetooth-ikonet lyser når sparkesykkelen er koblet til mobilenheten din.
- ④ TCS (Traction Control System): Når aktivert, bidrar TCS til å forhindre overdrevent hjulspinn og forbedrer stabiliteten ved oppstart, akselerasjon og svinging. TCS kan aktiveres eller deaktiveres via NAVEE-appen.
- ⑤ Tohjulsdrift (kun NT5 Ultra X): Indikerer at tohjulsdriftsmodus er aktivert. Hold BOOST-knappen inne i 3 sekunder for å slå den på eller av, eller styr den via NAVEE-appen.
- ⑥ Batterinivå: Batterinivået vises med 5 streker. Hver strek representerer omtrent 20 % av en full lading.
- ⑦ Kjøremodus: Å indikerer gangmodus – maks hastighet: 6 km/t. D indikerer standardmodus. S indikerer sportsmodus.
- ⑧ Speedometer: Viser aktuell hastighet under kjøring. Viser feilkoder ved systemfeil og batterinivå under lading.
- ⑨ Temperaturvarsel: Termometerikonet lyser hvis batteritemperaturen er for høy eller for lav. Vent til temperaturen er tilbake innenfor normalområdet før du bruker eller lader sparkesykkelen.
- ⑩ Feilindikator: Et fast rødt skiftenøkkelikon indikerer en feil i systemet.
- ⑪ BOOST-modus: Indikerer at boost-funksjonen er aktivert.
- ⑫ Lås: Dette ikonet lyser når sparkesykkelen er låst. Du kan låse eller låse opp sparkesykkelen via NAVEE-appen.

3. Vedlikehold og omsorg

Rengjøring

Før du rengjør scooteren:

Slå av strømmen. Koble fra ladekabelen. Sørg for at dekkelet til ladeporten er helt lukket.

For rengjøring:

Tørk av scooteren med en myk, fuktig klut. Ved gjenstridig smuss, bruk en myk børste (f.eks. tannbørste). Avslutt med å tørke alle overflater med en ren, tørr klut.

Unngå følgende:

- Bruk av høytrykksvann (kan skade interne komponenter).
- Bruk av etsende rengjøringsmidler (kan skade både indre og ytre deler).

Batteripleie

For å maksimere batteriets levetid:

Unngå å tømme batteriet helt. Lad det regelmessig.

Hold alltid bruks-, lade- og lagringstemperaturene innen grensene angitt i spesifikasjonene.

Hvis scooteren ikke brukes over lengre tid, lad hver 60. dag for å forhindre permanent skade på batteriet. En fullt oppladet scooter kan stå i standby i ca. 120–180 dager.

Batteriadværslar:

- Bruk kun den originale laderen og batteriet som følger med scooteren.
- Bruk aldri batteri eller lader fra en annen modell eller merke.
- Ikke lad eller bruk scooteren hvis batteriet er skadet eller har vært i kontakt med vann.
- Ikke forsøk å fjerne batteriet selv – dette krever profesjonell service.

Lagring

Ved langtidslagring:

Lad batteriet helt opp. Slå av scooteren. Oppbevar på et kjølig, tørt sted, unna sollys og fuktighet.

Bruk originalemballasjen for transport hvis tilgjengelig.

Lagringspåminnelser:

- Hold scooteren unna brennbare materialer.
- Unngå lagring i direkte sollys eller svært fuktige omgivelser.
- Dette produktet inneholder et litiumbatteri. Følg lokale lover for transport og lagring.

Miljøinstrukser

Scooteren inneholder en oppladbar litium-ion batteripakke, og feil avhenging av disse batteriene vil forårsake skade på miljøet. Følg trinnene nedenfor for å ta ut batteriene før du kaster scooteren og kast batteriene riktig:

1. Før du fjerner batteriet, må du forsikre deg om at sparkesykkelen er slått av og at batteriet er helt utladet. Skru ut skruene som fester plastkomponentene, støttebenet, batteridekselet og kontrollerdekselet, og fjern deretter hver del forsiktig.
2. Trekk ut støpselet fra batterikontakten, og ta deretter ut batteriene. Ikke skad batterihuset for å unngå fare for personskader. Ikke bruk batteriet hvis det er skadet, har en merkelig lukt, avgir røyk eller blir overopphetet. Holdet lekkende batteri borte fra andre gjenstander.
3. Resikuler det fjernede batteriet ved et sertifisert gjenvinningsanlegg for batterier.

Vedlikeholdsplan for sparkesykkel (anbefales):

Vedlikehold av scooteren regelmessig kan bidra til å holde scooteren ryddig og i god stand, unngå sikkerhetsrisikoer, minimere sammenbrudd, redusere forringelsen av scooteren og forlenge scooterens levetid.

Vare	Tjenesteobjekt	Handlinger	Hver måned	Hver tredje måned	Hver 500 km/6 måneder	Hvert 1000 km/1 år	Hvert 10000 km/3 år
Dekk	Dekk slitebane slitasje	Kontroller om dekket er sprukket, deformert, slitt osv.			✓	✓	✓
Skruer	Skruer på styrets montering	Stram skruen som forbinder styrets montering med stammeenheten (med det anbefalte dreiemomentet på 4,5 ± 0,5 N·m).		✓	✓	✓	✓
		Stram akseleratorskruen (med det anbefalte dreiemomentet på 2,5 ± 0,1 N·m).				✓	✓
	Stram bremsehåndtaksskruen (med det anbefalte dreiemomentet på 5,5 ± 0,2 N·m).						
	Skive Brems Caliper	Stram skruen som fester skivebremsekaliperen (med det anbefalte dreiemomentet på 7,0 ± 0,5 N·m).			✓	✓	✓

Vare	Tjenesteobjekt	Handlinger	Hver måned	Hver tredje måned	Hver 500 km/6 måneder	Hvert 1000 km/1 år	Hvert 10000 km/3 år
Funksjoner	Justering av brems	Før du justerer skivebremsen, skaff deg en 4 mm skiftenøkkel (klargjort av brukeren) og sørg for at scooteren er slått av og ikke blir ladet. Under justeringen, trekk i enden av bremsekabelen for å stramme kabelen. Hvis bremsen er for stram, bruk verktøyet til å løse skruen ved å vri den mot klokken, trekk skivebremsens vippearmer utover, og stram deretter skruen. Hvis bremsen er for løs, bruk verktøyet til å løse skruen ved å vri den mot klokken, skyv vippearmeren på skivebremsen forover og stram deretter skruen.			✓	✓	✓
	Lading	Lad scooteren ved en passende temperatur. Indikatoren på batteriladeren er rød når scooteren lades, og blir grønn når scooteren er fulladet. Kontrollpanelet viser ladestatusen samtidig under lading.			✓	✓	✓
	Styring	Drei styret 60° til venstre og høyre for å sikre at dreievinkelen er riktig og at styringen er fri for motstand og stagnasjon.				✓	✓
Viktige komponenter	Montering av batteri	Lad scooteren helt før du lar den stå ubrukt i lang tid, og slå den på for å lade hver 60.					✓

Hvis hjul, bremseklosser og andre utsatte deler er slitt eller skadet og må skiftes ut, må du kontakte kundeservice i tide.

For å finne en sertifisert tjenesteleverandør, vennligst kontakt oss på service@navee.tech eller besøk <https://www.naveetech.com>.

4. Spesifikasjoner

Produkt	Navn	NAVEE -sähköpotkulauta				
	Modell	NT5 Max EU	NT5 Max DE	NT5 Max IT	NT5 Max SE	NT5 Max AT
Dimensjoner	Kjøretøy: L × B × H (mm) ^[1]	1250 × 625 × 1355				
	Etter sammenlegging: L × B × H (mm)	1250 × 625 × 645				
Nettvekt	Kjøretøyets nettvekt (kg)	33,5				
Rytter	Lastområde (kg)	25-150				
	Alder (år)	16-50				
	Kroppslengde (cm)	120-200				
Montert elektrisk sparkesykkel	Makshastighet (km/t)	25	20	25	20	25
	Maksimal rekkevidde (km) ^[2]	85				
	Rekkevidde ved maks. hastighet (km) ^[3]	53	75	53	75	53
	Maks klatrevinkel (%)	28				
	Egnede overflater	Sement eller asfaltvei, med benker på mindre enn 1 cm eller sprekker smalere enn 3 cm.				
	Driftstemperatur (°C)	-10 til 40				
	Oppbevaringstemperatur (°C)	-20 til 45				
	IP-klassifisering	IPX6				
	Ladetid (h)	Om lag 5-6				
	Modell	T2545-BD1A				
Batteripakke	Nominell spenning (VDC)	46,8				
	Maks ladespenning (VDC)	54,6				
	Energimerking (Wh)	561,6				
	Intelligent batteristyringssystem	beskyttelse mot overoppheting, kortslutning, overstrøm, overutladning og overladning				
	Normalt ladetemperaturområde (°C)	0 til 40				
	Nominell Energi (Ah)	12				
Hjulmotor	Merkeeffekt (kW; W)	0,7; 700	0,5; 500	0,5; 500	0,25; 250	0,6; 600
	Modell ^[4]	FY1505462450				
Batterilader	Utgangseffekt (kW; W)	0,133; 133,77				
	Inngang (VAC)	100-240 V- 50/60 Hz				
	Nominell Utgang (VDC: A)	54,6 ; 2,45				
	For- og bakhjul	Terrengdekk 10,5-tommer med høyt grep				
Dekk	For- og bakhjul	Terrengdekk 10,5-tommer med høyt grep				
	Frekvensbånd	2.4000 - 2.4835 GHz				
Bluetooth	Frekvensbånd	2.4000 - 2.4835 GHz				
	Maks. Hf-effekt (mW)	8				

[1] Kjøretøyets høyde: fra bakken til toppen av scooteren.

[2] Maksimal rekkevidde: målt ved 25 °C uten vind, med fulladet scooter kjørende i 15km/t på flat overflate med 75 kg last.

[3] Rekkevidde ved maksimal hastighet: målt ved 25 °C uten vind, med fulladet scooter som kjører på maksimal hastighet på flat overflate med 75 kg last.

[4] Bruk kun laderen som følger med i pakken for å lade batteriet.

Produkt	Navn	NAVEE -sähköpotkulauta				
	Modell	NT5 Ultra X EU	NT5 Ultra X DE	NT5 Ultra X IT	NT5 Ultra X SE	NT5 Ultra X AT
Dimensjoner	Kjøretøy: L × B × H (mm) ^[1]	1250 × 625 × 1355				
	Etter sammenlegging: L × B × H (mm)	1250 × 625 × 645				
Nettvekt	Kjøretøyets nettvekt (kg)	36,5				
Rytter	Lastområde (kg)	25-150				
	Alder (år)	16-50				
	Kroppslengde (cm)	120-200				
Montert elektrisk sparkesykkel	Makshastighet (km/t)	25	20	20	20	25
	Maksimal rekkevidde (km) ^[2]	90				
	Rekkevidde ved maks. hastighet (km) ^[3]	66	78	78	78	66
	Maks klatrevinkel (%)	45				
	Egnede overflater	Sement eller asfaltvei, med benker på mindre enn 1 cm eller sprekker smalere enn 3 cm.				
	Driftstemperatur (°C)	-10 til 40				
	Oppbevaringstemperatur (°C)	-20 til 45				
	IP-klassifisering	IPX6				
	Ladetid (h)	Om lag 7-8				
	Batteripakke	Modell	T2443-BD6A			
Nominell spenning (VDC)		46,8				
Maks ladespenning (VDC)		54,6				
Energimerking (Wh)		898,56				
Intelligent batteristyringssystem		beskyttelse mot overoppheting, kortslutning, overstrøm, overutladning og overladning				
Normalt ladetemperaturområde (°C)		0 til 40				
Hjulmotor	Nominell Energi (Ah)	19,2				
	Merkeeffekt (kW; W)	0,5 × 2; 500 × 2	0,25 × 2; 250 × 2	0,25 × 2; 250 × 2	0,125 × 2; 125 × 2	0,3 × 2; 300 × 2
Batterilader	Modell ^[4]	FY1505462450				
	Utgangseffekt (kW; W)	0,133; 133,77				
	Inngang (VAC)	100-240 V- 50/60 Hz				
	Nominell Utgang (VDC: A)	54,6 ; 2,45				
Dekk	For- og bakhjul	Terrengdekk 10,5-tommer med høyt grep				
	Frekvensbånd	2.4000 - 2.4835 GHz				
Bluetooth	Frekvensbånd	2.4000 - 2.4835 GHz				
	Maks. Hf-effekt (mW)	8				

[1] Kjøretøyets høyde: fra bakken til toppen av scooteren.

[2] Maksimal rekkevidde: målt ved 25 °C uten vind, med fulladet scooter kjørende i 15km/t på flat overflate med 75 kg last.

[3] Rekkevidde ved maksimal hastighet: målt ved 25 °C uten vind, med fulladet scooter som kjører på maksimal hastighet på flat overflate med 75 kg last.

[4] Bruk kun laderen som følger med i pakken for å lade batteriet.

5. Sertifiseringer

Direktivet for begrensning av farlige stoffer (RoHS)

Dette produktet fra SPACEWALKER PTE. LTD., med inkluderte deler (kabler, ledninger osv.) oppfyller begrensningene for bruk av visse farlige stoffer i elektrisk og elektronisk utstyr 2011/65/EU vedlegg II og dets endringsdirektiv (EU) 2015/863.

EU-samsvarserklæring



Denne enheten oppfyller EU-kravene til begrensning av eksponering for allmennheten for elektromagnetiske felt gjennom helsebeskyttelse. SPACEWALKER PTE. LTD. erklærer herved at radioutstyrstypen [NT5 Max EU], [NT5 Max DE], [NT5 Max IT], [NT5 Max SE], [NT5 Max AT], [NT5 Ultra X EU], [NT5 Ultra X DE], [NT5 Ultra X IT], [NT5 Ultra X SE] og [NT5 Ultra X AT] er i samsvar med direktiv 2014/53/EU og 2006/42/EF. Den fullstendige teksten i EUs samsvarserklæring er tilgjengelig på følgende Internett-adresse: www.naveetech.com

EU-samsvarserklæring

Batterigjenvinningsinformasjon for EU



Batterier eller emballasje for batterier er merket i samsvar med forordning (EU) 2023/1542 om batterier, akkumulatører og avfall fra batterier og akkumulatører. Direktivet fastsetter rammeverket for returnering og resirkulering av brukte batterier og akkumulatører som gjelder over hele EU. Denne merkingen brukes for ulike batterier for å angi at batteriet ikke skal kastes, men resirkuleres ved endt levetid i henhold til direktivet.

I samsvar med forordning (EU) 2023/1542 er batterier og akkumulatører merket for å indikere at de skal samles inn separat og resirkuleres ved slutten av levetiden. Merket på batteriet kan også inkludere et kjemisk symbol for metallet som inngår i batteriet (Pb for bly, Hg for kvikksølv og Cd for kadmiem). Brukere av batterier og akkumulatører må ikke kaste batteriene og akkumulatører som usortert husholdningsavfall, men bruke returordninger beregnet for forbrukere for retur, resirkulering og behandling av batterier og akkumulatører. Det er viktig at kundene bidrar til å minimere batterienes og akkumulatorenes mulige påvirkning på miljøet og menneskers helse på grunn av farlige innholdsstoffer.

Før kassering av elektrisk og elektronisk utstyr (EEE) sammen med husholdningsavfallet eller på gjenvinningsanlegg, må brukeren av utstyr som inneholder batterier og/eller akkumulatører fjerne batteriene og akkumulatorene for separat behandling.

Kassering av elektrisk og elektronisk utstyr (WEEE)



Alle produkter som bærer dette symbolet er elektrisk og elektronisk avfall (WEEE som i direktiv 2012/19/EU) som ikke skal blandes med usortert husholdningsavfall. I stedet bør du beskytte menneskers helse og miljø ved å overlevere e-avfallet til et utpekt innsamlingssted for resirkulering av elektrisk og elektronisk utstyr, oppnevnt av myndighetene eller lokale myndigheter. Riktig avhending og resirkulering vil bidra til å forhindre potensielle negative konsekvenser for miljøet og menneskers helse. Ta kontakt med installatøren eller lokale myndigheter for mer informasjon om stedet samt vilkår og betingelser for slike innsamlingspunkter.

Sikkerhetsadvarsel



Fare!
Les brukerhåndboken før bruk.



ADVARSEL!
Les nøye og ta vare på den for fremtidig bruk.



ADVARSEL
Varm overflate



Må ikke utsettes for fuktighet



Lys



SMPS med kortslutningssikker sikkerhetsisolasjonstransformator (innebygd eller ikke innebygd)



SMPS (strømforsyningsenhet med brytermodus)



Miniatyrsikring med tidsforsinkelse, der X er symbolet for tid/strømkarakteristikken i henhold til IEC 60127.



ADVARSEL!
Kun for innendørs bruk (for laderen).



ADVARSEL
Apparat i klasse II



ADVARSEL
Skarpe kanter



≤ 5000m

Laderen er beregnet for bruk i høyder som ikke overstiger 5000 m.



Styrelys



Likestrøm



Vekselstrøm



Polaritet på laderens utgang, senter posisjon

Batterilader

ADVARSEL

- Laderen er kun beregnet for innendørs bruk. Ikke utsett den for regn eller snø.
- Må ikke brukes til ikke-oppladbare batterier, da de kan bli overopphetet og gå i stykker.
- Misbruk av andre typer batterier kan føre til at de sprekker og forårsaker personskader.
- Batterier må ikke brennes, demonteres eller kortsluttes.
- Hvis ytelsen til batteriene reduseres betydelig, er det på tide å bytte ut batteriene.
- Oppbevar laderen på et kjølig og tørt sted når den ikke er i bruk.
- Koble fra strømforsyningen før du kobler til eller fra batteriet.
- Eksplorative gasser. Unngå flammer og gnister. Sørg for tilstrekkelig ventilasjon under lading.
- Under lading må batteriet plasseres i et godt ventilt område.
- Hold elektriske apparater utilgjengelig for barn og personer med nedsatt funksjonsevne. Ikke la dem bruke apparatene uten tilsyn.
- Dette apparatet er ikke beregnet på å brukes av personer (inkludert barn) med reduserte fysiske, sensoriske eller mentale evner eller manglende erfaring og kunnskap, med mindre de har fått tilsyn eller instruksjoner om bruk av apparatet av en person som er ansvarlig for deres sikkerhet.
- Dette apparatet kan brukes av barn fra 8 år og oppover og personer med reduserte fysiske, sensoriske eller mentale evner eller mangel på erfaring og kunnskap hvis de har fått tilsyn eller instruksjon om bruk av apparatet på en sikker måte og forstår farene som er involvert. Barn skal ikke leke med apparatet. Rengjøring og brukervedlikehold skal ikke utføres av barn uten tilsyn.
- Den utvendige fleksible kabelen eller ledningen til denne transformatoren kan ikke byttes ut; hvis ledningen er skadet, skal transformatoren kasseres.
- Hvis tilførselsledningen er skadet, må den erstattes med en spesiell ledning eller enhet som er tilgjengelig fra produsenten eller dennes serviceagent.

Instruksjoner for lading

- Koble laderen direkte til en strømkilde. Bruk aldri skjøteledning.
- Laderen kan bare lade litium-ion-batterier.
- Unngå omvendt lading.
- Laderen er ikke beregnet for lading av bilbatterier.

 avtakbar strømforsyningsdel

Batteripakke

ADVARSEL

- Ikke demonter, åpne eller makulere sekundærceller eller batterier.
- Hold batteriene utilgjengelig for barn. Bruk av batterier av barn bør overvåkes. Hold spesielt små batterier utilgjengelig for små barn.
- Oppsøk lege umiddelbart hvis en celle eller et batteri har blitt svelget.
- Ikke utsett celler eller batterier for varme eller ild. Unngå oppbevaring i direkte sollys.
- Ikke kortslutt en celle eller et batteri. Ikke oppbevar celler eller batterier tilfeldig i en eske eller skuff der de kan kortslutte hverandre eller bli kortsluttet av andre metallgjenstander.
- Ikke ta ut celler eller batterier fra originalemballasjen før de skal brukes.
- Ikke utsett celler eller batterier for mekaniske støt.
- Hvis en celle skulle lekke, må væsken ikke komme i kontakt med hud eller øyne. Hvis du kommer i kontakt med væsken, må du vaske det berørte området med store mengder vann og oppsøke lege.
- Ikke bruk andre ladere enn de som er spesifikt beregnet for bruk sammen med utstyret.
- Vær oppmerksom på pluss- (+) og minusmerkene (-) på cellen, batteriet og utstyret, og sørg for korrekt bruk.
- Ikke bruk celler eller batterier som ikke er beregnet for bruk sammen med utstyret.
- Ikke bland celler av forskjellig fabrikat, kapasitet, størrelse eller type i en enhet.
- Kjøp alltid det batteriet som produsenten av enheten anbefaler for utstyret.
- Hold celler og batterier rene og tørre.
- Tørk av celle- eller batteripolene med en ren, tørr klut hvis de blir skitne.
- Sekundære celler og batterier må lades før bruk. Bruk alltid riktig lader, og se produsentens instruksjoner eller utstyrshåndboken for riktige ladeinstruksjoner.
- Ikke la et batteri stå på lading over lengre tid når det ikke er i bruk.
- Etter lengre tids lagring kan det være nødvendig å lade og utlade cellene eller batteriene flere ganger for å oppnå maksimal ytelse.
- Ta vare på den opprinnelige produktliteraturen for fremtidig bruk.
- Bruk cellen eller batteriet kun til det formålet det er beregnet på.
- Ta om mulig batteriet ut av utstyret når det ikke er i bruk.
- Kast det på riktig måte.

Garantisammendrag

Dette produktet inkluderer en begrenset garanti som dekker produksjonsfeil i en spesifisert periode fra kjøpsdatoen. Garantivilkår, varighet og tilgjengelighet av tjenester kan variere etter land eller region. Garantien dekker ikke skader forårsaket av feil bruk, ulykker eller uautoriserte reparasjoner. For detaljerte vilkår og lokal støtte, vennligst besøk <https://service.naveetech.com>.

VIGTIG! Læs manualen omhyggeligt før du bruger produktet og gem det til fremtidig reference.

For en detaljeret e-manual, besøg venligst www.naveetech.com.

- Dette apparat er ikke beregnet til at blive brugt af personer (inklusive børn) med nedsatte fysiske, sensoriske eller mentale evner eller mangel på erfaring og viden, medmindre de har fået opsyn eller instruktion i brugen af apparatet af en person, der er ansvarlig for deres sikkerhed. Børn skal være under opsyn for at sikre, at de ikke leger med apparatet.
- Dette apparat er beregnet til førere over 8 år og personer med fysiske og personer med nedsatte fysiske, sensoriske eller mentale evner eller mangel på erfaring og viden, hvis de har fået opsyn eller instruktion i brugen af apparatet på en sikker måde og forstår de involverede farer. Børn må ikke lege med apparatet. Rengøring og brugervedligeholdelse må ikke udføres af børn uden opsyn.
- Apparatet må kun bruges med den strømforsyningsenhed, der følger med apparatet.
- Før du kører, skal du altid bære hjelme, hånd-/håndledsbeskyttere, knæbeskyttere, albuebeskyttere og andet beskyttelsesudstyr.
- Løbehjulet må kun bruges af én person. Forpligtelse til altid at have sko på. Undlad at omdirigere brugen af køretøjet. Dette produkt er kun til privat brug og er ikke beregnet til akrobatisk brug.
- Produktet anbefales til førere over 16 år og under 50 år. Følgende personer bør ikke bruge produktet: (1) Personer under påvirkning af alkohol eller stoffer. (2) Personer, der pga. sygdom eller helbredsmæssige forhold ikke kan udføre fysisk krævende aktivitet. (3) Personer med dårlig balance eller nedsatte motoriske færdigheder. (4) Personer hvis vægt overstiger produktets grænse. (5) Gravide kvinder. (6) Personer med syns- eller hørenedsættelse.
- Overhold lokale love og regler, når du kører på dette produkt. Kør ikke hvor det er forbudt i henhold til lokal lovgivning.
- I lande eller regioner, hvor der i øjeblikket ikke findes nationale standarder eller regulativer for elektriske løbehjul, skal du nøje følge sikkerhedsanvisningerne i denne manual, når du bruger produktet. Undladelse af dette kan udgøre en sikkerhedsrisiko for børn. SPACEWALKER PTE. LTD.fraskriver sig ethvert direkte eller medansvarlig ansvar for personskade, ejendomsskade, ulykker, juridiske tvister eller andre skadevirkninger som følger af forkert eller uautoriseret brug i strid med manualens anvisninger.
- Kør ikke i vejbaner eller boligområder, hvor både køretøjer og fodgængere er tilladt. Når du passerer gennem et sted, der er udpeget til fodgængere, som er berettiget til vigepligtslovgivningen, såsom fodgængerovergang, bedes du stå af for at gå sammen med løbehjulet.
- Nødvendige forberedelser til brug af dette produkt omfatter: at sikre, at styresystemet er korrekt justeret, at alt tilsluttet tilbehør (såsom foldesystemet) er korrekt spændt og ubeskadiget, og at bremsen og hjul er i god stand.
- Udfør en grundlæggende inspektion af el-løbehjulet før hver tur. Hvis der er unormale forhold, såsom løse dele, advarsler om lavt batteri, flade dæk eller overdrevet slid på dæk, mærkelige lyde, fejlfunktioner og andre unormale forhold, skal du stoppe med at køre med det samme og tilkalde professionel support.
- Tag dig tid til at lære det grundlæggende i træningen, så du undgår alvorlige ulykker, der kan ske i de første måneder. Information om praksis og sikker brug (kan findes på hjemmesiden: www.naveetech.com)

- Sørg for god sigtbarhed og at andre kan se dig under kørsel.
- Kør ikke i dårligt vejr, dårlig sigtbarhed eller efter intens fysisk anstrengelse.
- Tænd forlygterne og sænk hastigheden, når du kører i mørke.
- Sørg for, at kickstativet er placeret på en flad overflade, og at kick-scooteren er stabil nok til at stå alene, før du forlader den.
- Dette elektriske løbehjul er en fritidsenhed. Men når man går ind på et offentligt område, vil det blive betragtet som et transportmiddel og underlagt mulige sikkerhedsrisici for alle transportmidler. At køre i nøje overensstemmelse med instruktionerne i denne manual vil beskytte dig og andre i størst muligt omfang.
- Føreren bør kontrollere grænserne for brug i overensstemmelse med de lokale regler. Kør løbehjulet på de veje eller områder, der er tilladt i henhold til lokale regler og love, og parker den på de tilladte områder. Løbehjulets maksimale hastighed er begrænset til 25 km/t. Hvis de lokale regler og love har forskellige bestemmelser om den maksimale hastighed, vil de lokale regler og love være gældende. Respekter og følg færdselssikkerheden og køretøjsreglerne.
- Respekter fodgængeres forkørselsret. Prøv ikke at forskrække dem under kørsel, især børn. Når du kører bagved fodgængere, skal du ringe på din klokke for at give dem en advarsel og sænke farten på dit løbehjul for at passere fra deres venstre side, og holde til højre med lav hastighed, mens du kører hen over dem (gælder for lande, hvor køretøjer kører til højre). Når du kører på tværs af fodgængere, skal du holde den laveste hastighed eller stå af køretøjet.
- Under alle omstændigheder skal du foregribe din bane og din hastighed, mens du respekterer vejen, fortovet og de mest sårbare personer. Giv besked om din tilstedeværelse, når du nærmer dig en fodgænger eller cyklist, når du ikke bliver set eller hørt. Kryds de beskyttede passager, mens du går. Undgå områder med høj trafik eller overfyldte områder.
- At køre med høj hastighed eller en hastighed, der ikke er passende eller tilstrækkelig til situationen (dårlige vejforhold, dårlige overfladeforhold eller lignende) kan føre til et potentielt tab af stabilitet eller tab af kontrol. For at reducere enhver risiko skal du følge alle instruktioner i denne manual. Vær forsigtig ved montering og afmontering af produktet, da det kan falde ned og forårsage skade.
- Trafikken i byen har mange forhindringer at krydse, såsom kansten eller trapper. Det anbefales at undgå forhindringspring. Det er vigtigt at forudse og tilpasse din bane og hastighed til en fodgænger, før du krydser disse forhindringer. Det anbefales også at komme af køretøjet, når disse forhindringer bliver farlige på grund af deres form, højde eller glidning.
- Udlån ikke dit løbehjul til dem, der ikke kender betjeningen. Før du udlåner el-løbehjulet til andre, skal du sørge for, at føreren har læst denne instruktionsmanual og set instruktionsvideoen og forstået den grundlæggende betjening. Mind førere om at bære sikkerhedsbeskyttelse korrekt for at sikre førerens sikkerhed.
- Kontakt din sælger for passende uddannelsesorganisationer.
- I alle tilfælde skal du passe på dig selv og andre.
- Enhver belastning på styret vil påvirke køretøjets stabilitet.
- Rør ikke ved bremsesystemet, da det kan forårsage skader på grund af skarpe kanter. Bremsen kan blive varm under brug. Rør ikke efter brug.
- Det A-vægtede emissionslydtrykniveau er mindre end 70 dB(A).
- For en bedre køreoplevelse anbefales det at udføre en regelmæssig vedligeholdelse af produktet.
- Fjern eventuelle skarpe kanter forårsaget af brug.

- Tilbehør og eventuelle yderligere dele, som ikke er godkendt af producenten, må ikke anvendes.
- Regelmæssig vedligeholdelse af køretøjet er en sikkerhedsfaktor.
- De selvspændende møtrikker samt de øvrige selvspændende befæstigelses kan miste deres effektivitet, og de skal muligvis efterspændes.
- Kontrollér regelmæssigt tilspændingen af de forskellige boltede elementer, især hjulakslerne, foldesystemet, styresystemet og bremseakslen.
- Undlad at ændre eller transformere køretøjet, inklusive styrerøret og muffen, frempinden, foldemekanismen og bagbremsen.
- Foretag ikke ændringer, der ikke er angivet i instruktionerne.
- Sørg for, at løbehjulet er slukket, når den transporteres og opbevares i dens originale emballage, hvis det er muligt.
- For at undgå utilsigtede skader såsom elektrisk stød og brand forårsaget af forkert brug, bedes du læse instruktionerne omhyggeligt før brug, og opbevare dem korrekt til fremtidig reference.
- Brug venligst dette produkt i overensstemmelse med instruktionerne i brugermanualen. Førere er ansvarlige for ethvert tab eller skade, der opstår som følge af forkert brug af dette produkt.
- Sluk køretøjet, eller sæt det i en ikke-driftstilstand under opladning.
- Oplad ikke, hvis ladeporten eller ladekablet er vådt. Læs denne manual omhyggeligt før opladning.
- Oplad ikke løbehjulet ved en omgivende temperatur over 40° C eller under 0° C.
- Hold en sikker afstand, når scooteren kører på en jævn vej uden hældning. Bremselængden vil øges i vådt vejr.
- Støddabsorberingen på dette produkt kan ikke justeres (hvis relevant).
- Apparatet er ikke beregnet til brug i højder på mere end 2000 m over havets overflade.
- Apparatet skal være afbrudt fra strømkilden under service og ved udskiftning af dele.
- Det eksterne fleksible kabel eller ledning på denne transformer (oplader) kan ikke udskiftes; hvis ledningen er beskadiget, skal transformeren (opladeren) skrottes.
- Hvis det eksterne fleksible kabel eller ledningen til denne transformer er beskadiget, skal det udskiftes af producenten eller deres serviceagent eller en tilsvarende kvalificeret person for at undgå en fare.
- Hvis forsyningsledningen er beskadiget, skal den udskiftes af producenten, dennes serviceagent eller lignende kvalificerede personer for at undgå en fare.
- Dette produkt indeholder batterier, som kun kan udskiftes af kvalificerede teknikere eller af eftersalgsservice.
- Dette apparat indeholder batterier, som kun kan udskiftes af fagfolk.
- **ADVARSEL:** Med henblik på genopladning af batteriet må du kun bruge den aftagelige forsyningsenhed, der følger med dette apparat. Brug ikke en batterioplader fra et andet produkt. Hold sikker afstand til de omgivende brændbare stoffer under opladning.
- **ADVARSEL:** ADVARSEL: Brug ikke batterier eller batteriopladere fra en tredjepart. Brug kun med FY1505462450.
- **ADVARSEL!** Hold plastikbetræk væk fra børn for at undgå kvælning.

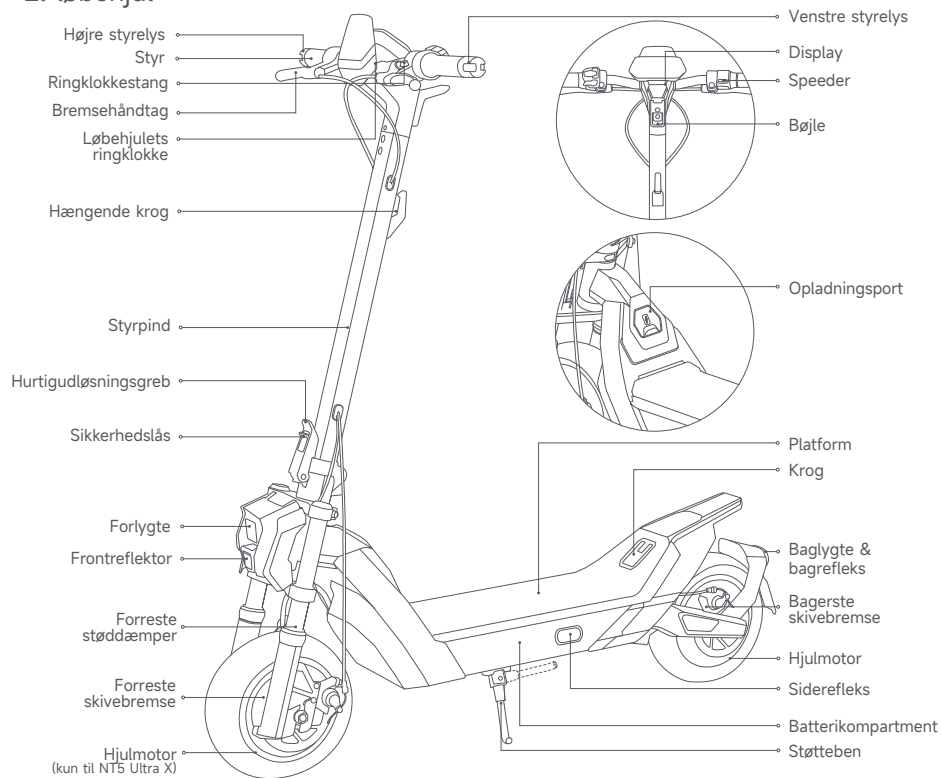
- **ADVARSEL!** Brug aldrig produktet tæt på en vandkilde.
- **ADVARSEL!** Stop med at bruge produktet, når det er beskadiget.
- **ADVARSEL!** Som med enhver mekanisk komponent er et køretøj udsat for høje belastninger og slid. De forskellige materialer og komponenter kan reagere forskelligt på slid eller træthed. Hvis den forventede levetid for en komponent er overskredet, kan den pludselig gå i stykker og dermed risikere at forårsage skader på føreren. Revner, ridser og misfarvninger i områder, der er udsat for høje belastninger, indikerer, at komponenten har overskredet sin levetid. Kontakt venligst en autoriseret eller specialiseret reparatør.

Pas på farer for håndklemning og klemningspunkter i følgende positioner under brug:

1. Mellem styret og stangen ved montering af styret.
2. Åbning på hjulene.
3. Mellem forskærmen og bundpladen.
4. Mellem quick release-håndtaget og quick release-håndtagets lås og mellem foldeleddet og stangen ved sammen- eller udfoldning.
5. Mellem forskærmene og hjulene.

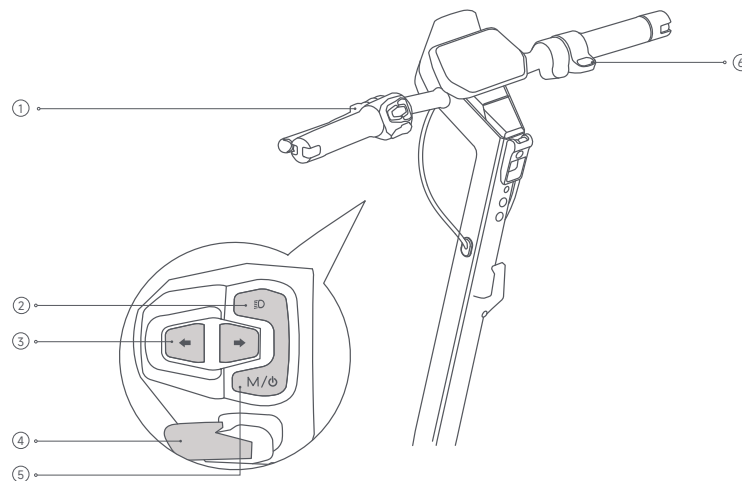
2. Produktoversigt

El-løbehjul

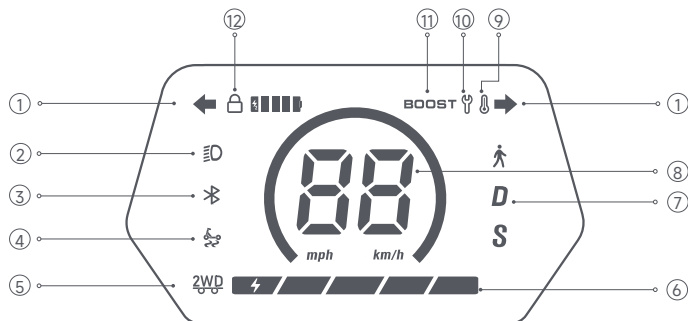


* Illustrationerne i denne manual er kun til reference, det faktiske udseende kan variere fra det faktiske produkt.

Funktioner på styrets knapper



- ① Ringeknappen: Tryk for at aktivere ringeklokken.
- ② Lysknop: Når scooteren er tændt, tryk for at tænde eller slukke for for- og baglyg.
- ③ Blinkknapper: Tryk for at tænde venstre eller højre blinklys. Det tilsvarende signal og indikator på displayet blinker. Tryk igen for at slukke.
- ④ BOOST-knap: Tryk for at aktivere BOOST-funktionen (kun i S-tilstand), og tryk igen for at afslutte. Bemærk: Anbefales kun, når føreren har mestret den grundlæggende kontrol.
- ⑤ Tænd/sluk / skift af tilstand: Tryk for at tænde. Hold nede i 2 sekunder for at slukke. Når den er tændt, dobbelttryk for at skifte køremodus.
- ⑥ Gashåndtag: Tryk for at accelerere (virker, når starthastigheden overstiger 3 km/t). Bemærk: Starthastighed kan justeres i NAVEE-appen.



- ① Venstre/Højre blinklyssignal: Når ikonet blinker, betyder det, at blinklyset til venstre/højre er tændt.
- ② Lys: Indikerer at forlyset er tændt.
- ③ Bluetooth: Bluetooth-ikonet forbliver tændt, når scooteren er tilsluttet din mobilenhed.
- ④ TCS (Traction Control System): Når aktiveret, forhindrer TCS overdreven hjulslip og forbedrer den generelle stabilitet ved opstart, acceleration eller sving. TCS kan aktiveres eller deaktiveres via NAVEE-appen.
- ⑤ Tohjulstræk (kun til NT5 Ultra X): Angiver, at tohjulstræk er aktiveret. Hold BOOST-knappen nede i 3 sekunder for at slå det til eller fra, eller styr det via NAVEE-appen.
- ⑥ Batteriniveau: Batteriniveauet vises med 5 bjælker. Hver bjælke repræsenterer cirka 20 % af fuld opladning.
- ⑦ Køremodus: ⚡ angiver Gå-tilstand – maks. hastighed: 6 km/t. D angiver Standardtilstand. S angiver Sporttilstand.
- ⑧ Hastighedsmåler: Viser den aktuelle hastighed under kørsel. Viser fejlkoder ved fejl og batteriniveau under opladning.
- ⑨ Temperaturadvarsel: Termometerikonet lyser, når batteritemperaturen er for høj eller for lav. Vent, til temperaturen vender tilbage til normalområdet, før du bruger eller oplader scooteren.
- ⑩ Fejlindikator: Et konstant rødt skruenøglikeikon angiver en systemfejl.
- ⑪ BOOST-tilstand: Viser, at boost-funktionen er aktiveret.
- ⑫ Lås: Dette ikon lyser, når scooteren er låst. Du kan låse eller låse scooteren op via NAVEE-appen.

3. Vedligeholdelse og pleje

Rengøring

Før du rengør din scooter:

Sluk for strømmen. Tag ladekablet ud. Sørg for, at dækslet til ladeporten er helt lukket.

Sådan rengør du:

Aftør scooteren med en blød, fugtig klud. Ved genstridigt snavs bruges en blød børste (f.eks. en tandbørste). Afslut med at tørre alle overflader med en ren, tør klud.

Undgå følgende:

- Brug af højtryksvand (kan beskadige indvendige komponenter).
- Brug af ætsende rengøringsmidler (kan beskadige både indre og ydre dele).

Batteripleje

For at maksimere batteriets levetid:

Undgå at aflade batteriet helt. Oplad det regelmæssigt.

Hold altid brugs-, opladnings- og opbevaringstemperaturer inden for de angivne specifikationer.

Hvis scooteren ikke bruges i længere tid, oplad hver 60. dag for at undgå permanent batteriskade. En fuldt opladet scooter kan forblive i standby i ca. 120–180 dage.

Batteriadværsler:

- Brug kun den originale oplader og det batteri, der fulgte med din scooter.
- Brug aldrig en oplader eller et batteri fra en anden model eller producent.
- Oplad eller brug ikke scooteren, hvis batteriet er beskadiget eller har været i kontakt med vand.
- Forsøg ikke selv at fjerne batteriet – det kræver professionel service.

Opbevaring

Hvis scooteren skal opbevares i længere tid:

Oplad batteriet helt. Sluk scooteren. Opbevar på et køligt og tørt sted, væk fra sollys og fugt.

Brug den originale emballage til transport, hvis den er tilgængelig.

Husk ved opbevaring:

- Hold scooteren væk fra brandfarlige materialer.
- Undgå opbevaring i direkte sollys eller meget fugtige omgivelser.
- Dette produkt indeholder et lithiumbatteri. Følg lokale love for transport og opbevaring.

Miljøadvarsel

Løbehjulet indeholder en genopladelig lithium-ion batteripakke, og forkert bortskaffelse af disse batterier vil skade miljøet. Følg nedenstående trin for at fjerne batterierne, før du kasserer løbehjulet og kasser batterierne korrekt:

1. Inden du fjerner batteriet, skal du sikre dig, at løbehjulet er slukket, og at batteriet er helt afladet. Skru skrueerne ud, som fastgør plastdelene, støttebenet, batterirummets dæksel og controllerens dæksel, og fjern forsigtigt hver komponent.
2. Tag batteristikket ud, og fjern derefter batterierne. Beskadig ikke batterikassen for at undgå risiko for skader. Brug ikke batteriet, hvis det er beskadiget, har en mærkelig lugt, udsender røg eller bliver overophedet. Hold et utæt batteri væk fra andre genstande.
3. Genbrug det fjernede batteri på et certificeret genbrugsanlæg for batterier.

Vedligeholdelsesplan for løbehjul (anbefalet):

Regelmæssig vedligeholdelse af løbehjulet kan hjælpe med at holde det pæn og i god stand, undgå sikkerhedsrisici, minimere nedbrud, bremse forringelsen af løbehjulet og forlænge dets levetid.

Enhed	Serviceobjekt	Handlinger	Hver måned	Hver tredje måned	Hver 500 km/6 måneder	Hver 1000 km/1 år	Hver 10.000 km/3 år
Dæk	Slid på dæk	Tjek om dækket er revnet, deformeret, slidt etc.			✓	✓	✓
Skruer	Monteringskrue til styret	Stram skruen, der forbinder styret med styrpinden (med det anbefalede drejningsmoment på $4,5 \pm 0,5 \text{ N}\cdot\text{m}$).		✓	✓	✓	✓
		Stram speederskruen (med det anbefalede drejningsmoment på $2,5 \pm 0,1 \text{ N}\cdot\text{m}$).				✓	✓
		Stram bremsegræbskruen (med det anbefalede drejningsmoment på $5,5 \pm 0,2 \text{ N}\cdot\text{m}$).					
	kivebremsekaliber	Stram skruen, der fastgør skivebremsekaliberen (med det anbefalede drejningsmoment på $7,0 \pm 0,5 \text{ N}\cdot\text{m}$).			✓	✓	✓

Enhed	Serviceobjekt	Handlinger	Hver måned	Hver tredje måned	Hver 500 km/6 måneder	Hver 1000 km/1 år	Hver 10.000 km/3 år
Funktioner	Bremsejustering	Før du justerer, skal du skaffe dig en 4 mm skruenøgle (klargjort af brugeren) og sørge for, at scooteren er slukket og ikke bliver opladet. Under justeringen skal du trække i enden af bremsekablet for at gøre kablet stramt. Hvis bremsen er for stram, skal du bruge værktøjet til at løse skruen ved at dreje den mod uret, trække skivebremsens vippearm udad og derefter stramme skruen. Hvis bremsen er for løs, skal du bruge værktøjet til at løse skruen ved at dreje den mod uret, skubbe skivebremsens vippearm fremad og derefter stramme skruen.			✓	✓	✓
	Opladning	Oplad løbehjulet ved en passende temperatur. Indikatoren på batteriopladeren er rød, når løbehjulet oplades, og lyser grøn, når løbehjulet er fuldt opladet. Kontrolpanelet vil vise opladningsstatus samtidigt under opladning.			✓	✓	✓
Vigtige komponenter	Batterisamling	Styretøj				✓	✓
		Oplad løbehjulet helt, inden du efterlader den ubrugt i længere tid, og tænd den for at oplade hver 60. dag.					✓

Hvis hjul, bremseklodser og andre sårbare dele er slidte eller beskadigede og skal udskiftes, bedes du kontakte eftersalgsservicen i tide.

For at finde en certificeret serviceudbyder, kontakt os på service@navee.tech eller besøg <https://www.naveetech.com>.

4. Specifikationer

Produkt	Navn	NAVEE El-løbehjul				
	Model	NT5 Max EU	NT5 Max DE	NT5 Max IT	NT5 Max SE	NT5 Max AT
Dimensioner	Køretøj: L × B × H (mm) ^[1]	1250 × 625 × 1355				
	Efter foldning: L × B × H (mm)	1250 × 625 × 645				
Nettovægt	Køretøjets nettovægt (kg)	33,5				
Fører	Lasteområde (kg)	25-150				
	Alder (år)	16-50				
	Kropslængde (cm)	120-200				
Samlet el-løbehjul	Maks. hastighed (km/t)	25	20	25	20	25
	Maks. rækkevidde (km) ^[2]	85				
	Rækkevidde ved fuld hastighed (km) ^[3]	53	75	53	75	53
	Maks. stigningsvinkel (%)	28				
	Egnede overflader	Cement- eller asfaltveje med kanter på mindre end 1 cm eller revner, der er mindre end 3 cm.				
	Driftstemperatur (°C)	-10 til 40				
	Opbevaringstemperatur (°C)	-20 til 45				
	IP-klassificering	IPX6				
Batteripakke	Opladningstid (timer)	Ca. 5-6				
	Model	T2545-BD1A				
	Nominal spænding (V DC)	46,8				
	Maks. ladespænding (V DC)	54,6				
	Nominal energi (Wh)	561,6				
	Avanceret batteristyringssystem	Beskyttelse mod overophedning, kortslutning, overspænding, overafledning og overoplading				
	Normalt ladetemperaturområde (°C)	0 til 40				
Hjulmotor	Nominal kapacitet (Ah)	12				
	Mærkeeffekt (kW, W)	0,7; 700	0,5; 500	0,5; 500	0,25; 250	0,6; 600
Batterioplader	Model ^[4]	FY1505462450				
	Udgangseffekt (kW, W)	0,133; 133,77				
	Indgang (VAC)	100-240 V- 50/60 Hz				
	Nominal Udgang (VDC, A)	54,6 ; 2,45				
Dæk	For- og bagdæk	Terrændæk 10,5 tommer med højt greb				
Bluetooth	Frekvensbånd (s)	2.4000 - 2.4835 GHz				
	Maks. RF-effekt (mW)	8				

[1] Køretøjets højde: Fra jorden til toppen af løbehjulet.

[2] Maks. rækkevidde: Målt under vindstille forhold ved 25 °C, med et fuldt opladet løbehjul, der kører med konstant hastighed på 15 km/t på en flad overflade med en belastning på 75 kg.

[3] Rækkevidde ved fuld hastighed: Målt under vindstille forhold ved 25 °C, med et fuldt opladet løbehjul, der kører med maksimal hastighed på en flad overflade med en belastning på 75 kg.

[4] Brug kun den oplader, der følger med i pakken, til at oplade batteriet.

Produkt	Navn	NAVEE El-løbehjul				
	Model	NT5 Ultra X EU	NT5 Ultra X DE	NT5 Ultra X IT	NT5 Ultra X SE	NT5 Ultra X AT
Dimensioner	Køretøj: L × B × H (mm) ^[1]	1250 × 625 × 1355				
	Efter foldning: L × B × H (mm)	1250 × 625 × 645				
Nettovægt	Køretøjets nettovægt (kg)	36,5				
Fører	Lasteområde (kg)	25-150				
	Alder (år)	16-50				
	Kropslængde (cm)	120-200				
Samlet el-løbehjul	Maks. hastighed (km/t)	25	20	20	20	25
	Maks. rækkevidde (km) ^[2]	90				
	Rækkevidde ved fuld hastighed (km) ^[3]	66	78	78	78	66
	Maks. stigningsvinkel (%)	45				
	Egnede overflader	Cement- eller asfaltveje med kanter på mindre end 1 cm eller revner, der er mindre end 3 cm.				
	Driftstemperatur (°C)	-10 til 40				
	Opbevaringstemperatur (°C)	-20 til 45				
	IP-klassificering	IPX6				
Batteripakke	Opladningstid (timer)	Ca. 7-8				
	Model	T2443-BD6A				
	Nominal spænding (V DC)	46,8				
	Maks. ladespænding (V DC)	54,6				
	Nominal energi (Wh)	898,56				
	Avanceret batteristyringssystem	Beskyttelse mod overophedning, kortslutning, overspænding, overafledning og overoplading				
	Normalt ladetemperaturområde (°C)	0 til 40				
Hjulmotor	Nominal kapacitet (Ah)	19,2				
	Mærkeeffekt (kW, W)	0,5 × 2; 500 × 2	0,25 × 2; 250 × 2	0,25 × 2; 250 × 2	0,125 × 2; 125 × 2	0,3 × 2; 300 × 2
Batterioplader	Model ^[4]	FY1505462450				
	Udgangseffekt (kW, W)	0,133; 133,77				
	Indgang (VAC)	100-240 V- 50/60 Hz				
	Nominal Udgang (VDC, A)	54,6 ; 2,45				
Dæk	For- og bagdæk	Terrændæk 10,5 tommer med højt greb				
Bluetooth	Frekvensbånd (s)	2.4000 - 2.4835 GHz				
	Maks. RF-effekt (mW)	8				

[1] Køretøjets højde: Fra jorden til toppen af løbehjulet.

[2] Maks. rækkevidde: Målt under vindstille forhold ved 25 °C, med et fuldt opladet løbehjul, der kører med konstant hastighed på 15 km/t på en flad overflade med en belastning på 75 kg.

[3] Rækkevidde ved fuld hastighed: Målt under vindstille forhold ved 25 °C, med et fuldt opladet løbehjul, der kører med maksimal hastighed på en flad overflade med en belastning på 75 kg.

[4] Brug kun den oplader, der følger med i pakken, til at oplade batteriet.

5. Certificeringer

Begrænsning af anvendelsen af visse farlige stoffer i elektrisk og elektronisk udstyr (ROHS)

Produktet fra SPACEWALKER PTE. LTD., og tilhørende dele (kabler, ledninger osv.) overholder begrænsningen af anvendelsen af visse farlige substanser i elektrisk og elektronisk udstyr i EU-direktiv 2011/65/EU, bilag II, som ændret ved EU-direktiv 2015/863/EU.

EU-overensstemmelseserklæring



Denne anordning overholder EU-kravene om begrænsning af eksponering af den generelle offentlighed for elektromagnetiske felter gennem sundhedsbeskyttelse.

Hermed erklærer SPACEWALKER PTE. LTD., at radiostyret type: [NT5 Max EU], [NT5 Max DE], [NT5 Max IT], [NT5 Max SE], [NT5 Max AT], [NT5 Ultra X EU], [NT5 Ultra X DE], [NT5 Ultra X IT], [NT5 Ultra X SE] og [NT5 Ultra X AT] er i overensstemmelse med direktiv 2014/53/EU og 2006/42/EF. Allur textinn um samræmisfirlýsingu ESB má nálgast á eftirfarandi vefslóð: www.naveetech.com

EU-overensstemmelseserklæring

Information om genanvendelse af batterier for EU



Batterier eller emballage til batterier er mærket i overensstemmelse med forordning (EU) 2023/1542 om batterier og akkumulatører samt affald af batterier og akkumulatører. Direktivet fastsætter lovgrundlaget for returnering og genanvendelse af udtjente batterier og akkumulatører og gælder i hele den Europæiske Union. Dette mærkat sættes på forskellige batterier for at angive, at batteriet ikke må smides ud, men skal genindsamles, når det er udtjent.

I henhold til forordning (EU) 2023/1542 er batterier og akkumulatører mærket for at angive, at de skal indsamles separat og genanvendes ved slutningen af deres levetid. Mærkatet på batteriet kan også omfatte et kemisk symbol for det pågældende metal i batteriet (Pb for bly, Hg for kviksølv og Cd for cadmium). Brugere af batterier og akkumulatører må ikke bortskaffe batterier og akkumulatører som usorteret husholdningsaffald, men skal bruge det indsamlingssystem, der er tilgængelige for forbrugere, til returnering, genanvendelse og behandling af batterier og akkumulatører. Kundedeltagelsen er vigtig for at minimere potentielle virkninger af batterier og akkumulatører på miljøet og den menneskelige sundhed på grund af tilstedeværelsen af farlige substanser.

Før elektronisk og elektrisk udstyr (EEE) placeres i affaldsindsamlingskredsløbet eller i affaldsindsamlingsfaciliteter, skal slutbrugeren af udstyr, der indeholder batterier og/eller akkumulatører, tage disse batterier og akkumulatører ud til separat indsamling.

Direktiv om affald af elektrisk og elektronisk udstyr (WEEE)



Ethvert produkt, der bærer dette symbol, er affald af elektrisk og elektronisk udstyr (WEEE som i direktiv 2012/19/EU), som ikke må blandes med usorteret husholdningsaffald. I stedet skal du beskytte den menneskelige sundhed og miljøet ved at overgive dit affaldsudstyr til et dertil beregnet indsamlingssystem til genanvendelse af affald af elektrisk og elektronisk udstyr, som er udnævnt af de nationale eller lokale myndigheder. Korrekt bortskaffelse og genanvendelse vil bidrage til at forhindre potentielt negative konsekvenser for miljøet og den menneskelige sundhed. Kontakt installatøren eller de lokale myndigheder for at få flere oplysninger om lokationen samt vilkårene og betingelserne for sådanne.

Sikkerhedsadvarsel



Fare!
Læs brugsanvisningen før brug.



ADVARSEL!
Læs omhyggeligt og opbevar den til senere brug.



ADVARSEL
Varm overflade



Må ikke udsættes for fugt



Lys



SMPS med en kortslutningssikker sikkerhedsisolerende transformer (iboende eller ikke iboende)



SMPS (switch mode-strømforsyningsenhed)



Time-lag miniature sikring, hvor X er symbolet for tid/strøm-karakteristikken som angivet i IEC 60127.



ADVARSEL!
Kun til indendørs brug (til opladeren).



ADVARSEL
Apparat i klasse II



ADVARSEL
Skarpe kanter



≤ 5000m



Styrelys



Jævnstrøm



Vekselstrøm



Polaritet på opladerens udgang, center positiv

Batterioplader

ADVARSEL

- Opladeren er kun beregnet til indendørs brug. Den må ikke udsættes for regn eller sne.
- Må ikke bruges til ikke-genopladelige batterier, da de kan blive overophedede og gå i stykker.
- Misbrug af andre typer batterier kan forårsage personskade og skader.
- Batterier må ikke forbrændes, skilles ad eller kortsluttes.
- Hvis batteriernes ydeevne forringes væsentligt, er det tid til at udskifte dem.
- Opbevar opladeren på et køligt og tørt sted, når den ikke er i brug.
- Afbryd strømforsyningen, før du foretager eller afbryder tilslutninger til batteriet.
- Eksplorative gasser. Undgå flammer og gnister. Sørg for tilstrækkelig ventilation under opladning.
- Under opladning skal batteriet placeres i et godt ventileret område.
- Hold elektriske apparater uden for børns eller svage personers rækkevidde. Lad dem ikke bruge apparaterne uden opsyn.
- Dette apparat er ikke beregnet til brug af personer (herunder børn) med nedsatte fysiske, sensoriske eller mentale evner, eller manglende erfaring og viden, medmindre de er blevet overvåget eller instrueret i brugen af apparatet af en person, der er ansvarlig for deres sikkerhed.
- Dette apparat kan bruges af børn fra 8 år og opefter og personer med nedsatte fysiske, sensoriske eller mentale evner eller manglende erfaring og viden, hvis de er blevet overvåget eller instrueret i at bruge apparatet på en sikker måde og forstår de involverede farer. Børn må ikke lege med apparatet. Rengøring og brugervedligeholdelse må ikke foretages af børn uden opsyn.
- Det eksterne fleksible kabel eller ledningen på denne transformator kan ikke udskiftes; hvis ledningen er beskadiget, skal transformatoren skrottes.
- Hvis forsyningsledningen er beskadiget, skal den udskiftes med en speciel ledning eller samling, der kan fås hos producenten eller dennes serviceagent.

Instruktioner til opladning

- Tilslut opladeren direkte til en strømkilde. Brug aldrig forlængerledninger.
- Opladeren kan kun oplade lithium-ion-batterier.
- Undgå omvendt opladning.
- Opladerne er ikke beregnet til at oplade bilbatterier.

 aftagelig strømforsyningsdel

Batteripakke

ADVARSEL

- Sekundære celler eller batterier må ikke afmonteres, åbnes eller makuleres.
- Opbevar batterier utilgængeligt for børn. Børns brug af batterier skal overvåges. Hold især små batterier uden for små børns rækkevidde.
- Sørg straks lægehjælp, hvis en celle eller et batteri er blevet slugt.
- Celler og batterier må ikke udsættes for varme eller ild. Undgå opbevaring i direkte sollys.
- Kortslut ikke en celle eller et batteri. Opbevar ikke celler eller batterier tilfældigt i en kasse eller skuffe, hvor de kan kortslutte hinanden eller blive kortsluttet af andre metalgenstande.
- Tag ikke en celle eller et batteri ud af den originale emballage, før det skal bruges.
- Udsæt ikke celler eller batterier for mekaniske stød.
- Hvis en celle lækker, må væsken ikke komme i kontakt med huden eller øjnene. Hvis der har været kontakt, skal du vaske det berørte område med rigelige mængder vand og søge lægehjælp.
- Brug ikke andre opladere end dem, der specifikt leveres til brug sammen med udstyret.
- Overhold plus (+) og minus (-) mærkerne på cellen, batteriet og udstyret, og sørg for korrekt brug.
- Brug ikke celler eller batterier, som ikke er beregnet til brug sammen med udstyret.
- Bland ikke celler af forskellig fabrikation, kapacitet, størrelse eller type i en enhed.
- Køb altid det batteri, som producenten af udstyret anbefaler til udstyret.
- Hold celler og batterier rene og tørre.
- Tør celle- eller batteripolerne af med en ren, tør klud, hvis de bliver snavsede.
- Sekundære celler og batterier skal oplades før brug. Brug altid den korrekte oplader, og se producentens instruktioner eller udstyrsmanualen for korrekte opladningsinstruktioner.
- Lad ikke et batteri stå til opladning i længere tid, når det ikke er i brug.
- Efter længere tids opbevaring kan det være nødvendigt at oplade og aflade cellerne eller batterierne flere gange for at opnå maksimal ydelse.
- Opbevar den originale produktliteratur til fremtidig reference.
- Brug kun cellen eller batteriet til den anvendelse, som det er beregnet til.
- Fjern om muligt batteriet fra udstyret, når det ikke er i brug.
- Bortskaf det korrekt.

Garantioversigt

Dette produkt inkluderer en begrænset garanti, der dækker produktionsfejl i en specificeret periode fra købsdatoen. Garantibetingelser, varighed og service tilgængelighed kan variere afhængigt af land eller region. Garantien dækker ikke skader forårsaget af misbrug, uheld eller uautoriserede reparationer. For detaljerede betingelser og lokal support, besøg venligst <https://service.naveetech.com>.

1. Инструкции за безопасност

Traduction de la notice originale

ВАЖНО! Моля, прочетете внимателно преди използване на продукта и запазете за бъдеща справка.

За подробен електронен наръчник, моля посетете www.naveetech.com.

- Този уред не е предназначен за използване от лица (включително деца) с намалени физически, сетивни или умствени способности, или липса на опит и знания, освен ако те не са били наблюдавани или инструктирани за използването на уреда от лице, отговорно за тяхната безопасност. Децата трябва да бъдат наблюдавани, за да се гарантира, че не играят с уреда.
- Този уред може да се използва от деца на възраст от 8 години и нагоре и лица с намалени физически, сетивни или умствени способности или липса на опит и знания, ако са били наблюдавани или инструктирани относно използването на уреда по безопасен начин и разбират свързаните с него опасности. Децата не трябва да играят с уреда. Почистването и поддръжката не трябва да се извършват от деца без наблюдение.
- Уредът трябва да се използва само с предоставеното захранващо устройство.
- Преди каране, винаги слагайте каска, предпазители за ръце/кидки, колени протектори, налакътници и друга защитна екипировка.
- Скутерът трябва да се използва само от един човек. Задължително е винаги да носите обувки. Не променяйте предназначението на превозното средство. Този продукт е предназначен само за лично каране и не е предназначен за акробатични или каскадьорски изпълнения.
- Продуктът е препоръчителен за хора на възраст над 16 и под 50 години. Хора, които не трябва да използват този продукт, включват: (1) Лица под въздействие на алкохол или наркотици. (2) Лица, които поради заболяване или здравословно състояние не могат да извършват интензивна физическа дейност. (3) Лица с лош баланс или нарушени двигателни умения. (4) Лица с трепло, надвишаващо допустимия лимит. (5) Бременни жени. (6) Лица с нарушено зрение или слух.
- Спазвайте местните закони и разпоредби при каране на този продукт. Не карайте, където е забранено от местните закони.
- В страни или региони, в които понастоящем няма национални стандарти или разпоредби относно електрическите тротинетки, трябва стриктно да спазвате инструкциите за безопасност, описани в това ръководство. Неспазването им може да създаде рискове за безопасността на децата. SPACEWALKER PTE. LTD. не носи пряка или солидарна отговорност за телесни повреди, материални щети, инциденти, правни спорове или други неблагоприятни последици, произтичащи от неправилна употреба или използване в противоречие с инструкциите в ръководството.
- Не карайте по пътища с движение на превозни средства или в жилищни райони, където се движат както превозни средства, така и пешеходци. Когато преминавате през място, предназначено за пешеходци с предимство като пешеходна пътека, слезте и вървете заедно със скутера.
- Подгответе се за използване на продукта, като се уверите, че кормилната система е правилно регулирана, всички свързани аксесоари (като система за сгъване) са правилно затегнати и невредими, и че спирачките и колелата са в добро състояние.
- Извършете основен преглед на електрическия скутер преди всяко каране. Ако има ненормални условия като разхлабени части, предупреждения за ниска батерия, спаднали гуми или прекомерно износване на гуми, странни звуци, повреди и други ненормални условия, спрете карането незабавно и се свържете с професионална поддръжка.
- Отделете време да се научите на основните практики, за да избегнете сериозни инциденти, които могат да

възникнат през първите месеци. Информация за практиката и безопасното използване (може да се намери на уебсайта: www.naveetech.com).

- Осигурете си добра видимост и се уверете, че и другите ви виждат по време на каране.
- Не карайте при лошо време, слаба видимост или след интензивно физическо натоварване.
- Включете предния фар и намалете скоростта, когато карате на тъмно.
- Уверете се, че стойката е разположена на равна повърхност и скутерът е достатъчно стабилен, за да стои самостоятелно, преди да го оставите.
- Този електрически скутер е развлекателно устройство. Въпреки това, когато влезете в обществена зона, той ще се счита за транспортно средство и подлежи на възможни рискове за безопасността на всички видове транспорт. Карането в строго съответствие с инструкциите в това ръководство ще защити вас и другите в най-голяма степен.
- Потребителят трябва да провери ограниченията за използване в съответствие с местните разпоредби. Карайте скутера по пътища или места, разрешени от местните разпоредби и закони, и го паркирайте на разрешените места. Ако местните разпоредби и закони предвиждат различни разпоредби за максималната скорост, местните разпоредби и закони ще имат предимство. Моля, спазвайте и следвайте правилата за безопасност на пътя и правилата за превозните средства.
- Уважавайте правото на преминаване на пешеходците. Опитайте се да не ги стресирате, докато шофирате, особено децата. Когато карате зад пешеходците, звънете с камбанката, за да им дадете сигнал и забавете тротинетката, за да преминете отляво, и се придържайте вдясно с ниска скорост, докато преминавате покрай тях (приложимо за страни, където превозните средства се движат вдясно). Когато преминавате покрай пешеходците, поддържайте най-ниската скорост или слезте от превозното средство.
- Във всеки случай, предвиждайте траекторията и скоростта си, като спазвате правилника за движение, правилника за тротоара и най-уязвимите. Уведомявайте за присъствието си, когато се приближавате до пешеходец или колеоздач, когато не сте видими или чути. Преминавайте през защитените пешеходни пътеки, докато вървите. Избягвайте зони с интензивен трафик или пренаселени зони.
- Карането с висока скорост или скорост, която не е подходяща или адекватна за ситуацията (лоши метеорологични условия, лоши условия на повърхността или подобни) може да доведе до потенциална загуба на стабилност или контрол. За да намалите риска, трябва да следвате всички инструкции в този наръчник. Бъдете внимателни при монтиране и демонтиране на продукта, той може да падне и да причини нараняване.
- Трафикът в града има много препятствия за преодоляване, като бордюри или стъпала. Препоръчва се да се избягват скокове над препятствия. Важно е да предвидите и адаптирате траекторията и скоростта си спрямо тези на пешеходец преди да преминете през тези препятствия. Също така се препоръчва да слезете от превозното средство, когато тези препятствия станат опасни поради формата, височината или хлъзгавостта им.
- Не давайте скутера си на когото и да е, който не знае как да го управлява. Преди да дадете електрическия скутер на други, моля, уверете се, че водачът е прочел този наръчник за инструкции и е гледал инструкционното видео, и е разбрал основната работа. Напомнете на водачите да носят защитно оборудване правилно, за да осигурят безопасността на водачите.
- Свържете се с вашия продавач за подходящи организации за обучение.
- Във всички случаи, грижи се за себе си и другите.
- Всяко натоварване, прикрепено към кормилото, ще повлияе на стабилността на превозното средство.
- Не докосвайте спирачката система, тъй като може да причини наранявания поради остри ръбове. Спирачката може да стане гореща при употреба. Не я докосвайте след употреба.
- Нивото на звуково налягане са А-тегло е по-малко от 70 dB(A).

- За по-добро изживяване при каране се препоръчва редовна поддръжка на продукта.
- Премахнете всички остри ръбове, причинени от употреба.
- Аксесоари и всякакви допълнителни елементи, които не са одобрени от производителя, не трябва да се използват.
- Редовната поддръжка на превозното средство е фактор за безопасност.
- Самозатягащите се гайки, както и другите самозатягащи се крепежни елементи, могат да загубят своята ефективност и може да се наложи да бъдат затегнати отново.
- Редовно проверявайте затягането на различните болтови елементи, по-специално на осите на колелата, съвземата система, системата за управление и спирачния вал.
- Не модифицирайте или трансформирайте превозното средство, включително кормилната тръба и маншона, стеблото, механизма за съвване и задната спирачка.
- Не правете никакви модификации, които не са посочени в инструкциите.
- Уверете се, че скутерът е изключен, когато се транспортира, и го съхранявайте в оригиналната опаковка, ако е възможно.
- С цел избягване на случайни наранявания, като електрически удар и пожар, причинени от неправилна употреба, моля, прочетете внимателно инструкциите преди употреба и ги съхранявайте правилно за бъдещи справки.
- Моля, използвайте този продукт в съответствие с инструкциите в ръководството за потребителя. Потребителите носят отговорност за всяка загуба или щета, произтичаща от неправилна употреба на този продукт.
- Изключете превозното средство по време на зареждане или в определен неработен режим.
- Не зареждайте, ако зарядният порт или зарядният кабел са мокри. Прочетете внимателно това ръководство преди зареждане.
- Не зареждайте скутера при температура на околната среда над 40° C или под 0° C.
- Моля, поддържайте безопасно разстояние, когато скутерът се движи по равен/без наклон път. Спирачната дистанция ще се увеличи при дъждовно време.
- Амортизацията на този продукт не е регулируема (ако е приложимо).
- Уредът не е предназначен за употреба на височини над 2000 м над морското равнище.
- Уредът трябва да бъде изключен от електрическия източник по време на обслужване и при смяна на части.
- Външният гъвкав кабел или жица на този трансформатор (зарядно) не могат да бъдат заменени; ако жицата е повредена, трансформаторът (зарядното) трябва да бъде изхвърлен.
- Ако външният гъвкав кабел или жица на този трансформатор е повреден, той трябва да бъде заменен от производителя или техния сервизен агент или подобно квалифицирано лице, за да се избегне опасност.
- Ако захранващият кабел е повреден, той трябва да бъде заменен от производителя, неговия сервизен агент или подобно квалифицирано лице, за да се избегне опасност.
- Този продукт съдържа батерии, които могат да бъдат заменени само от квалифицирани техници или следпродажбено обслужване.
- Този уред съдържа батерии, които могат да бъдат заменени само от квалифицирани лица.
- **ПРЕДУПРЕЖДЕНИЕ:** За целите на зареждане на батерията, използвайте само предоставеното с този уред отделяемо захранващо устройство. Не използвайте зарядно устройство от друг продукт. Дръжте безопасно разстояние от околните запалими материали при зареждане, автомобилът трябва да бъде поставен в добре проветриво място.

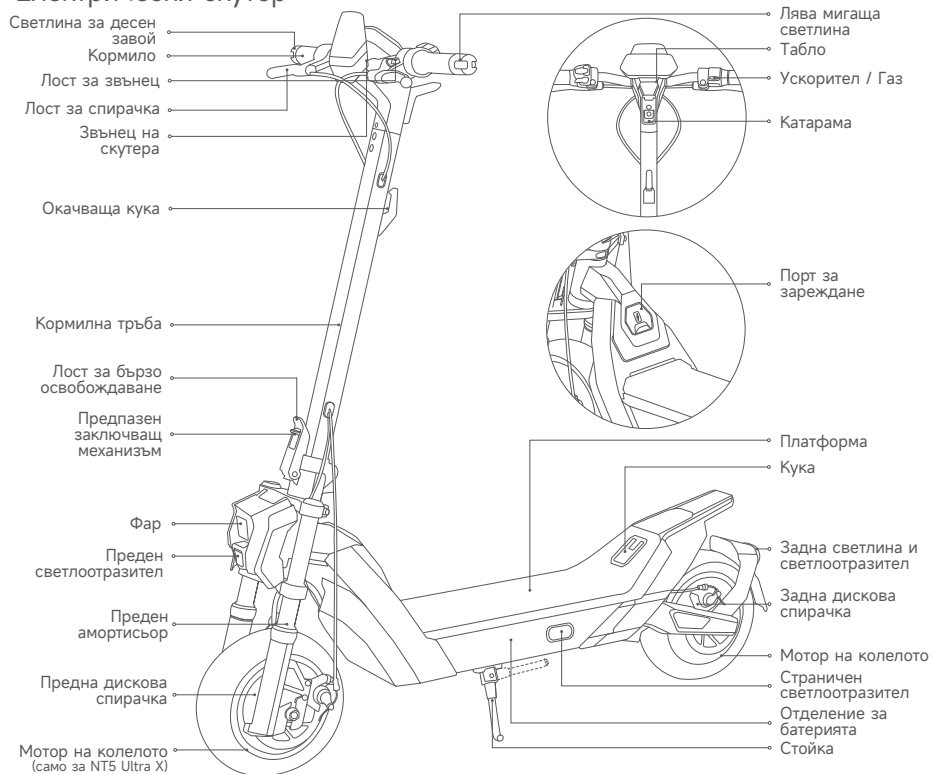
- **ПРЕДУПРЕЖДЕНИЕ:** Не използвайте никакви трети страни батерии или зарядни устройства. Използвайте само с захранващото устройство FY1505462450.
- **ПРЕДУПРЕЖДЕНИЕ!** Дръжте пластмасовото покритие далеч от деца, за да се избегне задушаване.
- **ПРЕДУПРЕЖДЕНИЕ!** Никога не използвайте продукта близо до водоизточник.
- **ПРЕДУПРЕЖДЕНИЕ!** Прекратете използването на продукта, когато е повреден.
- **ПРЕДУПРЕЖДЕНИЕ!** Както при всяка механична част, превозното средство е подложено на високи натоварвания и износване. Различните материали и компоненти могат да реагират различно на износване или умора. Ако очакваният срок на експлоатация на компонент е надвишен, той може да се счупи внезапно, което рискува да причини наранявания на потребителя. Пукнатини, драскотини и обезцветяване в областите, подложени на високи натоварвания, показват, че компонентът е надвишил срока си на експлоатация и моля, свържете се с упълномощен или специализиран сервиз.

Внимавайте за опасности от притискане на ръце и точки на захващане в следните позиции по време на употреба:

1. Между кормилото и стеблото при инсталиране на кормилото.
2. Отвори на колелата.
3. Между предния калник и платформата.
4. Между лоста за бързо освобождаване и заключването на лоста за бързо освобождаване, и между съвземият механизъм и стеблото при съвване или разгъване.
5. Между калниците и колелата.

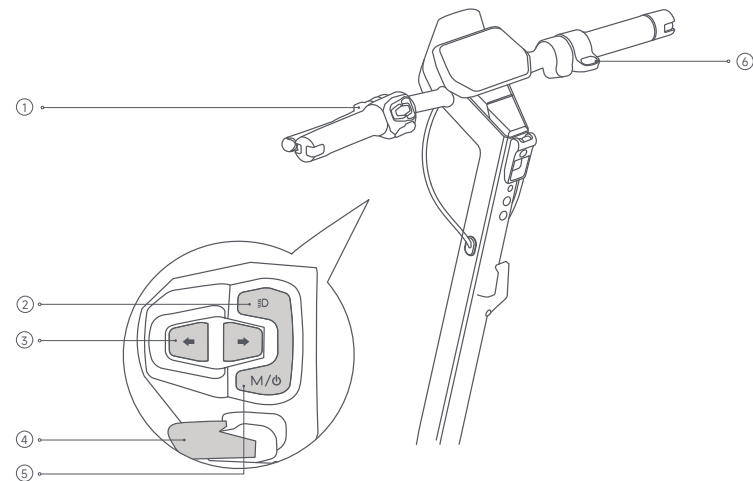
2. Общ преглед на продукта

Електрически скутер

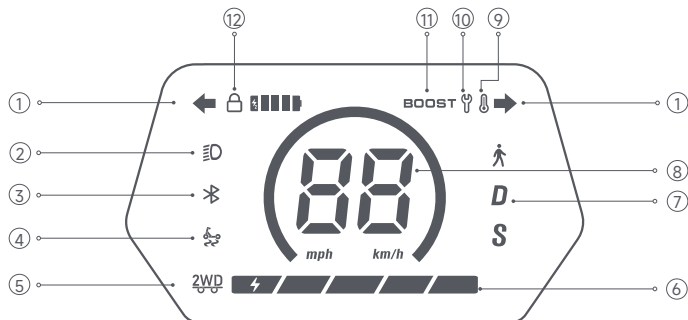


* Показаните изображения са само за илюстрация. Реалният продукт може да варира.

Функции на бутоните на кормилото



- ① Лост на звънеца: Натиснете, за да звънне звънецът.
- ② Бутон за светлини: При включена тротинетка натиснете, за да включите или изключите фаровете и задните светлини.
- ③ Бутони за мигачи: Натиснете, за да включите ляв/десен мигач. Съответната индикация на дисплея ще започне да мига. Натиснете отново, за да го изключите.
- ④ Бутон BOOST: Натиснете, за да активирате функцията BOOST (активна само в режим S), и натиснете отново, за да излезете.
Забележка: Препоръчва се само след овладяване на основното управление от водача.
- ⑤ Бутон за захранване / смяна на режим: Натиснете за включване. Задръжте 2 секунди за изключване. При включено устройство натиснете два пъти за смяна на режима.
- ⑥ Газ: Натиснете за ускорение (работи, когато началната скорост надвиши 3 км/ч).
Забележка: Началната скорост може да се настрои чрез приложението NAVEE.



- ① Ляв/Десен мигач: Когато иконата мига, това означава, че мигачът вляво/вдясно е включен.
- ② Светлина: Показва, че фарът е включен.
- ③ Bluetooth: Иконата за Bluetooth остава активна, когато скутерът е успешно свързан с мобилното ви устройство.
- ④ TCS (Система за контрол на сцеплението): Когато е активирана, тази функция предотвратява прекомерно приплъзване на гумите и подобрява стабилността при потегляне, ускорение или завиване. Можете да включвате или изключвате TCS чрез приложението NAVEE.
- ⑤ Двукратно задвижване (само за NT5 Ultra X): Показва, че режимът на задвижване на две колела е активен. Задръжте бутона BOOST за 3 секунди, за да го включите или изключите, или го управлявате чрез приложението NAVEE.
- ⑥ Ниво на батерията: Показва се чрез 5 сегмента. Всеки сегмент представлява приблизително 20% от пълния заряд.
- ⑦ Режими на каране: \uparrow обозначава режим за ходене — максимална скорост: 6 км/ч. D означава стандартен режим. S — спортен режим.
- ⑧ Скоростомер: Показва текущата скорост на движение. Извежда кодове за грешки при установена неизправност и показва нивото на батерията по време на зареждане.
- ⑨ Температурно предупреждение: Иконата с термометър светва, когато температурата на батерията е твърде висока или твърде ниска. Изчакайте температурата да се върне в нормални граници, преди да използвате или зареждате скутера.
- ⑩ Индикатор за грешка: Плътна червена икона с гаечен ключ показва системна неизправност.
- ⑪ Режим BOOST: Показва, че функцията за ускорение е активирана.
- ⑫ Заклучване: Тази икона светва, когато скутерът е заклучен. Можете да го заклучите или отклучите чрез приложението NAVEE.

3. Поддръжка и грижа

Почистване

Преди да почистите тротинетката:

Изключете захранването. Изключете захранващия кабел. Уверете се, че капачето на зарядния порт е напълно затворено.

Почистване:

Извършете тротинетката с мека, влажна кърпа. За упорити замърсявания използвайте мека четка (напр. четка за зъби). Завършете, като изсушите всички повърхности с чиста, суха кърпа.

Избягвайте следното:

- Използване на водоструйка (може да повреди вътрешните компоненти).
- Използване на корозивни почистващи препарати (могат да повредят външни и вътрешни части).

рижа за батерията

За да удължите живота на батерията:

Избягвайте пълно разреждане на батерията. Зареждайте я редовно.

Винаги поддържайте температурите на използване, зареждане и съхранение в рамките на посочените в спецификациите.

Ако не се използва продължително време, зареждайте батерията на всеки 60 дни, за да избегнете трайни повреди. Напълно заредена тротинетка може да остане в готовност около 120–180 дни.

Предупреждения за батерията:

- Използвайте само оригиналното зарядно устройство и батерия, предоставени с тротинетката.
- Никога не използвайте батерия или зарядно от друг модел или марка.
- Не зареждайте и не използвайте тротинетката, ако батерията е повредена или е била изложена на вода.
- Не се опитвайте да премахвате батерията самостоятелно — това изисква професионален сервиз.

Съхранение

Ако съхранявате тротинетката дългосрочно:

Заредете батерията напълно. Изключете тротинетката. Съхранявайте на хладно и сухо място, далеч от слънчева светлина и влага.

Използвайте оригиналната опаковка за транспорт, ако е налична.

Напомнания за съхранение:

- Дръжте тротинетката далеч от запалими материали.
- Избягвайте съхранение на пряка слънчева светлина или във влажна среда.
- Продуктът съдържа литиева батерия. Спазвайте местните закони относно транспортиране и съхранение.

Екологично предупреждение

Скутерът съдържа акумулаторна литиево-йонна батерия, а неправилното изхвърляне на тези батерии ще нанесе вреда на околната среда. Следвайте стъпките по-долу, за да премахнете батериите преди да изхвърлите скутера и да изхвърлите батериите правилно:

1. Преди да извадите батерията, се уверете, че тротинетката е изключена и батерията е напълно разрежена. Развийте винтовете, които закрепват пластмасовите компоненти, стойката, капака на отделиението за батерията и капака на контролера, след което внимателно отстранете всеки компонент.
2. Изключете свързвания кабел на батерията и след това премахнете батериите. Не повреждайте корпуса на батерията, за да избегнете риск от наранявания. Не използвайте батерията, ако е повредена, има странна миризма, излъчва дим или се нагрява. Дръжте течаша батерия далеч от други предмети.
3. Рециклирайте свалената батерия в сертифициран център за рециклиране на батерии.

График за поддръжка на скутера (препоръчително):

Редовната поддръжка на скутера ще да помогне за поддържането му в чисто и добро състояние, за избягване на опасности, да минимизира повреди, да забави влошаването на скутера и да удължи експлоатационния му живот.

Артикул	Обект на обслужване	Действия	Всеки месец	На всеки 3 месеца	На всеки 500 км/6 месеца	На всеки 1000 км/1 година	На всеки 10000 км/3 години
Гуми	Износване на протектора на гумата	Проверете дали гумата е напукана, деформирана, износена и т.н.			✓	✓	✓
Винтове	Винтове за слобвяване на кормилото	Затегнете винта, който свързва слобката на кормилото с слобката на стеблото (затегнете с ключ с препоръчителен въртящ момент от $4,5 \pm 0,5 \text{ N}\cdot\text{m}$).		✓	✓	✓	✓
		Затегнете винта на акселератора/газта (с препоръчителен въртящ момент от $2,5 \pm 0,1 \text{ N}\cdot\text{m}$).				✓	✓
		Затегнете винта на спирачния лост (с препоръчителен въртящ момент от $5,5 \pm 0,2 \text{ N}\cdot\text{m}$).				✓	✓
	Калипър на дисковите спирачки	Затегнете винта, който фиксира спирачния апарат на дисковата спирачка (с препоръчителен въртящ момент от $7,0 \pm 0,5 \text{ N}\cdot\text{m}$).			✓	✓	✓

Артикул	Обект на обслужване	Действия	Всеки месец	На всеки 3 месеца	На всеки 500 км/6 месеца	На всеки 1000 км/1 година	На всеки 10000 км/3 години
Функции	Регулиране на спирачките	Преди да регулирате, вземете 4 мм ключ (подготвен от потребителя) и се уверете, че скутерът е изключен и не се зарежда. По време на регулирането, дръпнете края на спирачния кабел, за да го стегнете. Ако спирачката е твърде стегната, използвайте инструмента, за да развийте винта, като го завъртите наляво, дръпнете лоста на дисковата спирачка навън и след това затегнете винта. Ако спирачката е твърде хлабава, използвайте инструмента, за да развийте винта, като го завъртите наляво, натиснете лоста на дисковата спирачка напред и след това затегнете винта.			✓	✓	✓
	Зареждане	Заредете скутера при подходяща температура. Индикаторът на зарядното устройство е червен, когато скутерът се зарежда, и става зелен, когато скутерът е напълно зареден. Контролният панел ще показва статуса на зареждане едновременно по време на зареждане.			✓	✓	✓
	Управление	Завъртете кормилото на 60° наляво и надясно, за да се уверите, че ъгълът на завиване е правилен и управлението е свободно от съпротивление и застой.				✓	✓
Важни компоненти	Сглобка на батерията	Напълно заредете скутера, преди да го оставите неизползван за дълго време, и го включвайте за зареждане на всеки 60 дни.					✓

Ако гуми, спирачни накладки или други уязвими части са износени или повредени, трябва да бъдат заменени. Моля, свържете се с обслужването на клиенти.

За да намерите сертифициран сервизен доставчик, свържете се с нас на service@navee.tech или посетете <https://www.naveetech.com>.

4. Спецификации

Продукт	Име	Електрическа тротинетка NAVEE				
		NT5 Max EU	NT5 Max DE	NT5 Max IT	NT5 Max SE	NT5 Max AT
Размери на артикула	Превозно средство: Д × Ш × В (мм)	1250 × 625 × 1355				
	След съване: Д × Ш × В (мм)	1250 × 625 × 645				
Нетно тегло	Нетно тегло на превозното средство (кг)	33,5				
Караджия	Обхват на натоварване (кг)	25-150				
	Възраст (години)	16-50				
	Дължина на тялото (cm)	120-200				
Сглобен електрически скутер	Макс. Скорост (km/h)	25	20	25	20	25
	Максимален пробег (km) ^[2]	85				
	Пробег при макс. скорост (km) ^[3]	53	75	53	75	53
	Макс. ъгъл на изкачване (%)	28				
	Подходящи повърхности	Циментен или асфалтов път, с пейки по-малки от 1 см или цепнатини по-малки от 3 см				
	Работна температура (°C)	-10 до 40				
Батерия	Температура на съхранение (°C)	-20 до 45				
	IP Рейтинг	IPX6				
	Време на зареждане (h)	Приблизително 5-6				
	Модел	T2545-BD1A				
	Номинално напрежение (VDC)	46,8				
	Максимално зарядно напрежение (VDC)	54,6				
	Номинална енергия (Wh)	561,6				
Мотор на колелото	Интелигентна система за управление на батерията	Защита от прегряване, късо съединение, свръхток, свръхзаряд и свръхзаряд				
	Normál töltési hőmérséklet-tartomány (°C)	0 до 40				
	Номинална енергия (Wh)	12				
Зарядно устройство за батерии	Номинална мощност (kW; W)	0,7; 700	0,5; 500	0,5; 500	0,25; 250	0,6; 600
	Модел ^[4]	FY1505462450				
	Изходна мощност (kW; W)	0.133; 133,77				
	Вход	100-240 V~ 50/60 Hz				
Гума	Номинален изход (VDC; A)	54,6 ; 2,45				
	Предни и задни гуми	10,5-инчови вседеходни гуми с високо сцепление				
Bluetooth	Честотна лента (и)	2.4000 - 2.4835 GHz				
	Макс. RF мощност (dBm)	8				

[1] Височина на превозното средство: от земята до върха на скутера.

[2] Максимален пробег: измерен при 25 °C и без вятър, с напълно зареден скутер, движещ се с 15 km/h по равна повърхност с товар от 75 kg.

[3] Пробег при максимална скорост: измерен при 25 °C и без вятър, с напълно зареден скутер, движещ се с максимална скорост по равна повърхност с товар от 75 kg.

[4] Използвайте само зарядното устройство, предоставено в комплекта, за да заредите батерията.

Продукт	Име	Електрическа тротинетка NAVEE				
		NT5 Ultra X EU	NT5 Ultra X DE	NT5 Ultra X IT	NT5 Ultra X SE	NT5 Ultra X AT
Размери на артикула	Превозно средство: Д × Ш × В (мм)	1250 × 625 × 1355				
	След съване: Д × Ш × В (мм)	1250 × 625 × 645				
Нетно тегло	Нетно тегло на превозното средство (кг)	36,5				
Караджия	Обхват на натоварване (кг)	25-150				
	Възраст (години)	16-50				
	Дължина на тялото (cm)	120-200				
Сглобен електрически скутер	Макс. Скорост (km/h)	25	20	20	20	25
	Максимален пробег (km) ^[2]	90				
	Пробег при макс. скорост (km) ^[3]	66	78	78	78	66
	Макс. ъгъл на изкачване (%)	45				
	Подходящи повърхности	Циментен или асфалтов път, с пейки по-малки от 1 см или цепнатини по-малки от 3 см				
	Работна температура (°C)	-10 до 40				
	Температура на съхранение (°C)	-20 до 45				
	IP Рейтинг	IPX6				
	Време на зареждане (h)	Приблизително 7-8				
	Батерия	Модел	T2443-BD6A			
Номинално напрежение (VDC)		46,8				
Максимално зарядно напрежение (VDC)		54,6				
Номинална енергия (Wh)		898,56				
Интелигентна система за управление на батерията		Защита от прегряване, късо съединение, свръхток, свръхзаряд и свръхзаряд				
Normál töltési hőmérséklet-tartomány (°C)		0 до 40				
Номинална енергия (Wh)		19,2				
Мотор на колелото	Номинална мощност (kW; W)	0,5 × 2; 500 × 2	0,25 × 2; 250 × 2	0,25 × 2; 250 × 2	0,125 × 2; 125 × 2	0,3 × 2; 300 × 2
	Модел ^[4]	FY1505462450				
Зарядно устройство за батерии	Изходна мощност (kW; W)	0.133; 133,77				
	Вход	100-240 V~ 50/60 Hz				
	Номинален изход (VDC; A)	54,6 ; 2,45				
Гума	Предни и задни гуми	10,5-инчови вседеходни гуми с високо сцепление				
Bluetooth	Честотна лента (и)	2.4000 - 2.4835 GHz				
	Макс. RF мощност (dBm)	8				

[1] Височина на превозното средство: от земята до върха на скутера.

[2] Максимален пробег: измерен при 25 °C и без вятър, с напълно зареден скутер, движещ се с 15 km/h по равна повърхност с товар от 75 kg.

[3] Пробег при максимална скорост: измерен при 25 °C и без вятър, с напълно зареден скутер, движещ се с максимална скорост по равна повърхност с товар от 75 kg.

[4] Използвайте само зарядното устройство, предоставено в комплекта, за да заредите батерията.

5. Сертификация

Директива за ограничаване на опасните вещества (RoHS)

Този продукт на SPACEWALKER PTE. LTD., с включени части (кабели, проводници и т.н.) отговаря на ограничението за използването на определени опасни вещества в електрическото и електронното оборудване 2011/65/EU Приложение II и неговата поправка Директива (EC) 2015/863.

Декларация за съответствие на ЕС



Това устройство отговаря на изискванията на ЕС относно ограничаването на излагането на общността на електромагнитни полета с цел защита на здравето. Това устройство отговаря на изискванията на ЕС относно ограничаването на излагането на общността на електромагнитни полета с цел защита на здравето. С настоящото SPACEWALKER PTE. LTD. декларира, че радио оборудването тип: [NT5 Max EU], [NT5 Max DE], [NT5 Max IT], [NT5 Max SE], [NT5 Max AT], [NT5 Ultra X EU], [NT5 Ultra X DE], [NT5 Ultra X IT], [NT5 Ultra X SE] и [NT5 Ultra X AT] е в съответствие с Директива 2014/53/EU и 2006/42/EC. Пълният текст на декларацията за съответствие на ЕС е наличен на следния интернет адрес: www.naveetech.com

Декларация за съответствие с Европейския съюз

Информация за рециклиране на батерии за Европейския съюз



Батериите или опаковките им са етикетирани в съответствие с Регламент (EC) 2023/1542 относно батериите, акумулаторите и отпадъците от тях. Директивата определя рамката за връщане и рециклиране на употребявани батерии и акумулатори, приложима в целия Европейски съюз. Този етикет се прилага на различни батерии, за да посочи, че батерията не трябва да се изхвърля, а да бъде върната след края на живота си съгласно тази директива.

Съгласно Регламент (EC) 2023/1542 батериите и акумулаторите са етикетирани, за да се посочи, че трябва да се събират отделно и да се рециклират в края на жизнения им цикъл. Етикетът на батерията може също да включва химичен символ за съответния метал в батерията (Pb за олово, Hg за живак и Cd за кадмий). Потребителите на батерии и акумулатори не трябва да изхвърлят батерии и акумулатори като несортирани общински отпадъци, а да използват наличната рамка за събиране за връщане, рециклиране и третиране на батерии и акумулатори. Участието на клиентите е важно, за да се минимизират потенциалните ефекти на батериите и акумулаторите върху околната среда и човешкото здраве поради потенциалното наличие на опасни вещества.

Преди да поставят електрическо и електронно оборудване (EEE) в потока за събиране на отпадъци или в съоръжения за събиране на отпадъци, крайният потребител на оборудването, съдържащо батерии и/или акумулатори, трябва да премахне тези батерии и акумулатори за отделно събиране.

Директива за отпадъци от електрическо и електронно оборудване (WEEE)



Всички продукти, носещи този символ, са отпадъчно електрическо и електронно оборудване (OEEО, както е в директива 2012/19/EC), което не трябва да се смесва с битови отпадъци. Вместо това, трябва да защитите човешкото здраве и околната среда, като предадете отпадъчното си оборудване на определено място за събиране за рециклиране на отпадъчно електрическо и електронно оборудване, назначено от правителството или местните власти. Правилното изхвърляне и рециклиране ще помогне за предотвратяване на потенциални негативни последици за околната среда и човешкото здраве. Моля, свържете се с дистрибутора или местните власти за повече информация относно местоположението, както и условията на такива места за събиране.

Предупреждение за безопасност



Опасност!
Прочетете ръководството за потребителя преди употреба.



ПРЕДУПРЕЖДЕНИЕ
Прочетете внимателно и запазете за бъдещи справки.



ПРЕДУПРЕЖДЕНИЕ
Гореща повърхност



Не излагайте на влага



Светлина



Импулсно захранване (SMPS), включващо късоциркуитен защитен разделителен трансформатор (вградено или невградено)



Импулсно захранване (SMPS)



Бавноразрядна миниатюрна предпазителна връзка, където X е символът за времево/токовата характеристика, съгласно IEC 60127



ПРЕДУПРЕЖДЕНИЕ
Само за вътрешна употреба (за зарядното устройство).



ПРЕДУПРЕЖДЕНИЕ
Устройство клас II



ПРЕДУПРЕЖДЕНИЕ
Остри ръбове



Зарядното устройство е предназначено за употреба на височини, не надвишаващи 5000 м.



Мигач



Постоянен ток



Променлив ток



Полярност на изхода на зарядното устройство, център положителен

Зарядно устройство за батерии

ПРЕДУПРЕЖДЕНИЕ

1. Зарядното устройство е проектирано само за вътрешна употреба. Не го излагайте на дъжд или сняг.
2. Не го използвайте за неакумулаторни батерии, тъй като те могат да прегреят и да се повредят.
3. Неправилната употреба на други видове батерии може да доведе до експлозия, причинявайки наранявания и щети.
4. Не изгаряйте, не разглобявайте и не закъсявайте батериите.
5. Ако производителността на батериите значително намалее, е време да се заменят.
6. Съхранявайте зарядното устройство на хладно и сухо място, когато не се използва.
7. Изключете захранването от мрежата преди да направите или прекъснете връзката с батерията.
8. Взривоопасни газове. Предотвратете пламъци и искри. Осигурете адекватна вентилация по време на зареждане.
9. По време на зареждане, батерията трябва да бъде добре проветриво място.
10. Дръжте електрическите уреди извън обсега на деца или немощни лица. Не им позволявайте да използват уредите без надзор.
11. Този уред не е предназначен за употреба от лица (включително деца) с намалени физически, сетивни или умствени способности, или липса на опит и знания, освен ако не са получили надзор или инструкции относно употребата на уреда от лице, отговорно за тяхната безопасност.
12. Този уред може да се използва от деца на възраст от 8 години и нагоре и от лица с намалени физически, сетивни или умствени способности или липса на опит и знания, ако са получили надзор или инструкции относно безопасната употреба на уреда и разбират свързаните рискове. Децата не трябва да играят с уреда. Почистването и поддръжката не трябва да се извършват от деца без надзор.
13. Външният гъвкав кабел или жица на този трансформатор не може да бъде заменен; ако кабелът е повреден, трансформаторът трябва да бъде изхвърлен.
14. Ако захранващият кабел е повреден, той трябва да бъде заменен с специален кабел или комплект, наличен от производителя или неговия сервизен агент.

Инструкции за зареждане

1. Свържете зарядното устройство директно към източник на захранване. Никога не използвайте удължители.
2. Зарядното устройство може да зарежда само литиево-йонната батерия.
3. Избягвайте обратно зареждане.
4. Зарядните устройства не са предназначени за зареждане на автомобилни батерии.

 разглобяема захранваща част

Батерия

ПРЕДУПРЕЖДЕНИЕ

1. Не разглобявайте, не отваряйте и не разкъсвайте вторични клетки или батерии.
2. Дръжте батериите извън обсега на деца. Използването на батерии от деца трябва да се наблюдава. Особено дръжте малките батерии извън обсега на малки деца.
3. Потърсете медицински съвет незабавно, ако клетка или батерия е погълната.
4. Не излагайте клетки или батерии на топлина или огън. Избягвайте съхранение на пряка слънчева светлина.
5. Не закъсявайте верига на клетка или батерия. Не съхранявайте клетки или батерии безразборно в кутия или чекмедже, където могат да закъсят вериците помежду си.
6. Не премахвайте клетка или батерия от оригиналната им опаковка, докато не е необходима за употреба.
7. Не подлагайте клетки или батерии на механичен удар.
8. В случай на изтичане на клетка, не позволявайте течността да влезе в контакт с кожата или очите. Ако е настъпил контакт, измийте засегнатата област с голямо количество вода и потърсете медицински съвет.
9. Не използвайте зарядно устройство, различно от това, което е специално предоставено за употреба с оборудването.
10. Наблюдавайте знаците плюс (+) и минус (-) на клетката, батерията и оборудването и осигурете правилната употреба.
11. Не използвайте клетка или батерия, която не е проектирана за употреба с оборудването.
12. Не смесвайте клетки от различни производители, капацитет, размер или тип в едно устройство.
13. Винаги купувайте батерията, препоръчана от производителя на устройството за оборудването.
14. Дръжте клетките и батериите чисти и сухи.
15. Избършете клетките или терминалите на батерията с чиста суха кърпа, ако се замърсат.
16. Вторичните клетки и батерии трябва да се зареждат преди употреба. Винаги използвайте правилния зарядно устройство и се запознайте с инструкциите на производителя или ръководството на оборудването за правилни инструкции за зареждане.
17. Не оставяйте батерията на продължително зареждане, когато не се използва.
18. След продължителни периоди на съхранение, може да е необходимо да заредите и разредите клетките или батериите няколко пъти, за да получите максимална производителност.
19. Запазете оригиналната продуктова литература за бъдещи справки.
20. Използвайте клетката или батерията само в приложението, за което е предназначена.
21. Когато е възможно, премахвайте батерията от оборудването, когато не се използва.
22. Изхвърляйте правилно.

Резюме на гаранцията

Този продукт включва ограничена гаранция, която покрива производствени дефекти за определен период от датата на покупка. Условието на гаранцията, продължителността и наличността на услугата могат да варират в зависимост от страната или региона. Гаранцията не покрива повреди, причинени от неправилна употреба, инциденти или неупълномощени ремонти. За подробни условия и местна поддръжка, моля, посетете <https://service.naveetech.com>.

1. Biztonsággal kapcsolatos útmutató

Eredeti útmutató

FONTOS! Kérjük, figyelmesen olvassa el a jelen útmutatót a termék használata előtt, és őrizze meg későbbi felhasználásra.

A részletes elektronikus használati útmutatóért kérjük, látogasson el a www.naveetech.com weboldalra.

- A készülék csak akkor használható csökkent fizikai, érzékszervi vagy mentális képességekkel élők, vagy kellő tapasztalattal és tudással nem rendelkezők által (a gyermekeket beleértve), ha felügyelet mellett használják, vagy a biztonságukért felelő személytől tájékoztatást kaptak a berendezés biztonságos használatáról. Gyermekek csak felügyelet mellett használhatják, és nem játszhatnak a készülékkel.
- Ez a készülék csak akkor használható 8 éves korú vagy afölötti gyermekek, csökkent fizikai, érzékszervi vagy mentális képességekkel élők, vagy kellő tapasztalattal és tudással nem rendelkezők által, ha felügyelet mellett használják, vagy tájékoztatást kaptak a berendezés biztonságos használatáról, és tudatában vannak a használatnál járó kockázatoknak. Gyermekek nem játszhatnak a készülékkel. A tisztítási és karbantartási folyamatokat gyermek csak felügyelet mellett végezheti.
- A készülék csak a mellékelt tápegységgel használható.
- Utazás előtt kérjük, mindig viseljen sisakot, kéz-, csukló-, térd-, könyökvédőt és egyéb védőfelszereléseket.
- A rollert csak egy személy használhatja. Kötelező a cipő viselése. Ne térjen el a jármű rendeltetésszerű használatától. Ez a termék csak személyes használatra készült, és nem alkalmas akrobatikus vagy mutatványos használatra.
- A termék használata 16 éves kor felett és 50 éves kor alatt ajánlott. Azok a személyek, akik nem alkalmasak a termék használatára: (1) Alkohol vagy drog hatása alatt álló személyek. (2) Akik betegség vagy egészségi állapot miatt nem képesek megterhelő fizikai tevékenységre. (3) Akiknek egyensúlyérzékük vagy mozgáskoordinációjuk gyenge. (4) Akiknek testsúlya meghaladja a megengedett határt. (5) Várandós nők. (6) Látás- vagy hallásérült személyek.
- Tartsa be a jogszabályokat és előírásokat, amikor ezt a terméket használja. Ne használja ott, ahol a helyi törvények tiltják.
- Azokban az országokban vagy régiókban, ahol jelenleg nincsenek nemzeti szabványok vagy előírások az elektromos rollerekre vonatkozóan, a termék használatakor szigorúan be kell tartani a jelen kézikönyvben ismertetett biztonsági előírásokat. Ennek elmulasztása biztonsági kockázatot jelenthet a gyermekek számára. A SPACEWALKER PTE. LTD. nem vállal sem közvetlen, sem közös felelősséget semmilyen személyi sérülésért, anyagi kárért, balesetért, jogi vitáért vagy egyéb kedvezőtlen következményért, amelyek a kézikönyvben foglalt útmutatások megszegéséből vagy helytelen használatból erednek.
- Ne közeledjen forgalmi sávokban vagy lakóövezetekben, ahol járművek és gyalogosok egyaránt megengedettek. Amikor gyalogos közlekedésre kijelölt helyen halad át, ahol a gyalogosnak van elsőbbsége (pl. gyalogátkelőhely), kérjük, szálljon le és sétáljon a rollerrel.
- A termék használatához szükséges előkészületek közé tartozik: a kormányrendszer megfelelő beállításának, valamint az összes csatlakoztatott kiegészítő (például az összecsukási rendszer) megfelelő rögzítésének és sértetlenségének ellenőrzése, valamint a fékek és kerekek jó állapotának ellenőrzése.
- Minden egyes utazás előtt vegye el az elektromos rollere alapvető ellenőrzését. Ha rendellenes állapotokat észlel, például kilazult alkatrészeket, alacsony akkumulátortöltöttségre utaló jelzéseket, lapos gumikat vagy túlzott kopást, furcsa hangokat, meghibásodásokat vagy egyéb rendellenes állapotokat, azonnal álljon meg és kérjen szakértői segítséget.
- Szájon időt a használat alapjainak elsajátítására, hogy elkerülje a súlyos baleseteket, amelyek gyakran bekövetkezhetnek az első hónapokban. A gyakorlásról és a biztonságos használatról szóló információk (megtalálhatók

a weboldalon: www.naveetech.com)

- Biztonsítson jó látási viszonyokat, és ügyeljen rá, hogy mások is jól lássák Önt menet közben.
- Ne közeledjen rossz időjárási viszonyok között, alacsony láthatóság mellett, vagy intenzív fizikai megterhelés után.
- Sötétben való közlekedéskor kapcsolja be a fényszórót és csökkentse a sebességet.
- Győződjön meg arról, hogy a kitérő sík felületen áll, és a roller elég stabil ahhoz, hogy önállóan megálljon, mielőtt otthagyja.
- Ez az elektromos roller egy szabadidős eszköz, azonban nyilvános területre lépve közlekedési eszköznek minősül, és ki van téve az összes közlekedési eszközt érintő lehetséges biztonsági kockázatoknak. A használati útmutatóban található utasítások szigorú betartása a lehető legnagyobb mértékben védi Önt és másokat.
- A felhasználónak ellenőriznie kell a használati korlátokat a helyi szabályozásoknak megfelelően. A rollert a helyi előírások és jogszabályok által engedélyezett utakon vagy területeken használja, és engedélyezett területeken parkoljon vele. Ha a helyi jogszabályok és előírások eltérő rendelkezéseket tartalmaznak a maximális sebességre vonatkozóan, akkor a helyi jogszabályok és előírások az irányadóak. Kérjük, tartsa tiszteltetben és kövesse az úti biztonsággal és járművekkel kapcsolatos szabályokat.
- Tartsa tiszteltetben a gyalogosok elsőbbségét. Próbálja meg nem megijeszteni őket közlekedés közben, különösen a gyermekeket. Amikor gyalogosok mögött halad el, csengetéssel figyelmeztesse őket, és lassítson a rollerrel, hogy a bal oldalról elhaladhatson mellettük, és alacsony sebességgel tartson jobbra, miközben áthalad rajtuk (azokra az országokra vonatkozik, ahol jobbra tartás van érvényben). Amikor gyalogosok között halad át, tartsa a legalacsonyabb sebességet, vagy szálljon le a járműről.
- Minden esetben lássa be előre a pályáját és a sebességét, miközben tiszteltetben tartja az útra, a járdára a legsebezhetőbbekre vonatkozó szabályokat. Jelezze jelenlétét, amikor gyalogoshoz vagy kerékpárhoz közelít, ha nem látható vagy hallható. A védett átkelőhelyeken gyalogosan kell áthaladnia. Kerülje a nagy forgalmú vagy zsúfolt területeket.
- A nagy sebességgel, vagy olyan sebességgel való közlekedés, amely nem megfelelő vagy elegendő a helyzethez (rossz időjárási körülmények, rossz felületviszonyok stb.) potenciális stabilitásvesztéshez vagy irányítási problémákhoz vezethet. A kockázatok csökkentése érdekében kövesse a jelen útmutatóban található összes utasítást. Legyen óvatos a termék rögzítése és szétszerelése során, mert az leeshet és sérülést okozhat.
- A városi forgalomban sok akadályt kell leküzdeni, például járdaszegélyeket vagy lépcsőket. Ajánlott elkerülni az akadályugrásokat. Fontos, hogy előre lássa és alkalmazkodjon a gyalogosok pályájához és sebességéhez, mielőtt átkelne ezeken az akadályokon. Ajánlott leszállni a járműről, amikor ezek az akadályok veszélyessé válnak alakjuk, magasságuk vagy csúszósságuk miatt.
- Ne adja kölcsön a rollerét olyanoknak, akik nincsenek tisztában a működésével. Mielőtt bárkinek kölcsön adná az elektromos rollert, győződjön meg arról, hogy a felhasználó elolvasta ezt az útmutatót, megnézte az oktatóvideót és tisztában van az alapvető működéssel. Emlékeztesse a felhasználót, hogy megfelelően viselje a védőfelszerelést a biztonsága érdekében.
- További információért a megfelelő képzési szervezetekről lépjen kapcsolatba az eladóival.
- Minden esetben vigyázzon magára és másokra.
- A kormányra rögzített bármely terhelés befolyásolja a jármű stabilitását.
- Ne érintse meg a fékrendszert, mert az éles szélek miatt sérüléseket okozhat. A fék használat közben felforrósodhat. Használat után ne érintse meg.
- Az egyenértékű A-hangnyomásszint kevesebb mint 70 dB(A).
- A jobb közlekedési élmény érdekében ajánlott a termék rendszeres karbantartása.
- Távolítsa el a használat során keletkezett éles széleket.
- A gyártó által nem jóváhagyott kiegészítők és egyéb elemek nem használhatók.
- A jármű rendszeres karbantartása a biztonság egyik kulcstényezője.
- Az önfeszítő anyák, valamint a többi önfeszítő rögzítés elveszthetik hatékonyságukat, és szükség lehet az újbóli meghúzásukra.
- Rendszeresen ellenőrizze, hogy meglazultak-e a különböző csavarozott elemek, különösen a kerék tengelyek, az

összecsukási rendszer, a kormányrendszer és a féktengely.

- Ne módosítsa vagy alakítsa át a járművet, beleértve a kormányszárat és a hüvelyt, a szárat, az összecsukási mechanizmust és a hátsó féket.
- Ne végezzen olyan módosításokat, amelyek nincsenek feltüntetve az utasításokban.
- Gondoskodjon arról, hogy szállítás közben a roller ki legyen kapcsolva, és ha lehetséges, tartsa az eredeti csomagolásában.
- A helytelen használatból adódó véletlen sérülések, például áramütés és tűz elkerülése érdekében kérjük, alaposan olvassa el az utasításokat használat előtt, és gondosan őrizze meg azokat későbbi felhasználásra.
- Kérjük, a terméket a használati útmutatóban írottak szerint használja. A termék nem rendeltetészerű használatából eredő bármely kár vagy károsodás a felhasználó felelőssége.
- Kapcsolja ki a járművet töltés közben, vagy léptesse olyan üzemmódba, amikor az biztosan nem üzemel.
- Ne töltse, ha a töltőport vagy a töltőkábel nedves. Olvassa el figyelmesen ezt a útmutatót töltés előtt.
- Ne töltse a rollert 40 °C feletti vagy 0 °C alatti környezeti hőmérsékleten.
- Kérjük, tartson biztonságos távolságot, amikor a roller sík/nem lejtős úton halad. A féktáv nedves időjárási viszonyok között megnő.
- A termék ütésállapítása nem állítható (ha van ilyen).
- A készülék nem használható 2000 m tengerszint feletti magasság felett.
- A készüléket áramtalanítani kell szervizelés során és alkatrészek cseréjekor.
- Ennek a transzformátornak (töltő) a külső hajlítható kábele vagy vezetéke nem cserélhető; ha a vezeték károsodik, a transzformátort (töltőt) cserélni kell.
- Ha ennek a transzformátornak a külső hajlítható kábele károsodik, a gyártónak, a gyártó szolgáltató partnerének vagy más képesített személynek kell kicserélnie a balesetek elkerülése végett.
- Ha a tápkábel károsodik, a gyártónak, a szolgáltatónak vagy más képesített személynek kell kicserélnie a balesetek elkerülése végett.
- A termékben található akkumulátorokat csak képzett technikus vagy értékesítés utáni szolgáltató cserélhet.
- A készülékben található akkumulátort kizárólag képzett szakemberek cserélhetik.

FIGYELEM: Az akkumulátor töltésére kizárólag a készülékhez mellékelt leválasztható tápegységet használja. Ne használjon más termékhez tartozó akkumulátortöltőt. Töltés közben tartson biztonságos távolságot a környező gyúlékony anyagoktól, és a járművet jól szellőző helyen helyezze el.

FIGYELEM: Ne használjon harmadik féltől származó akkumulátort vagy akkumulátortöltőt. Csak FY1505462450 (az NT5 Max sorozathoz) / FY1505462450 (az NT5 Ultra és NT5 Ultra X sorozatokhoz) típusú tápegységgel használja.

FIGYELEM! Tartsa távol a műanyag csomagolást a gyermekektől a fulladásveszély elkerülése végett.

FIGYELEM! Soha ne használja a terméket vízforrás közelében.

FIGYELEM! Károsodás esetén függesse fel a termék használatát.

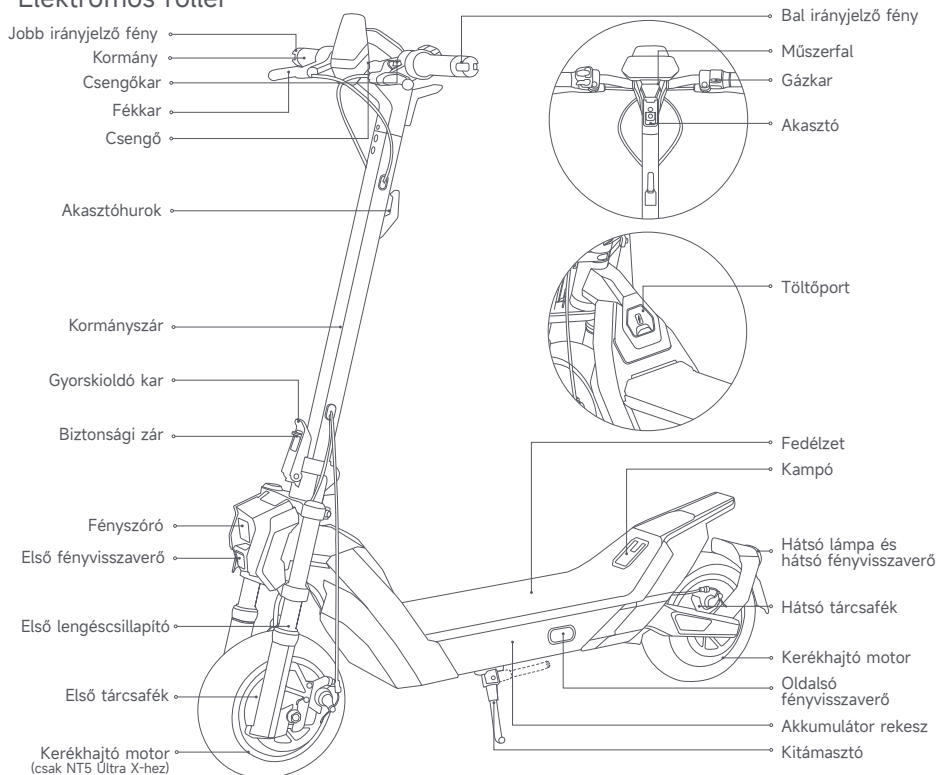
FIGYELEM! Mint minden mechanikai alkatrész, egy jármű is nagymértékű stressznek és kopásnak van kitéve. A különböző anyagok és alkatrészek eltérően reagálhatnak a kopásra vagy fáradásra. Ha egy alkatrész túllépte a várható élettartamát, hirtelen eltörhet, ezzel sérülésveszélyt jelentve a felhasználónak. A magas stressznek kitétt területeken megjelenő repedések, karcok és elszíneződések azt jelzik, hogy az alkatrész túllépte az élettartamát, ezért kérjük, lépjen kapcsolatba egy hivatalos vagy szakképzett szerelővel.

Figyeljen a kéz összenyomódásának és becsípődésének veszélyeire a következő pozíciókban használat közben:

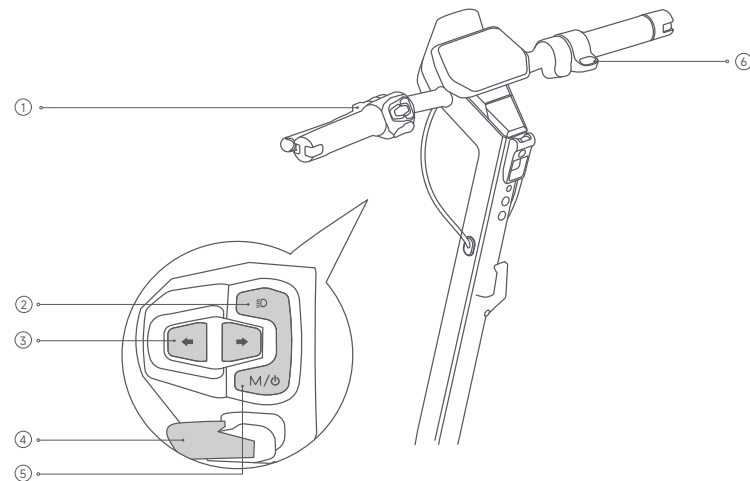
1. A kormány és a kormányzár között a kormány felszerelésekor.
2. A keréknyílásoknál.
3. A hátsó sárvédő és a fedélzet között.
4. A gyorskioldó kar és a gyorskioldó kar zárja között, valamint a hajlókönyök és a szár között összecsukáskor vagy szétnyitáskor.
5. A sárvédők és a kerekek között.

2. Termék áttekintés

Elektromos roller

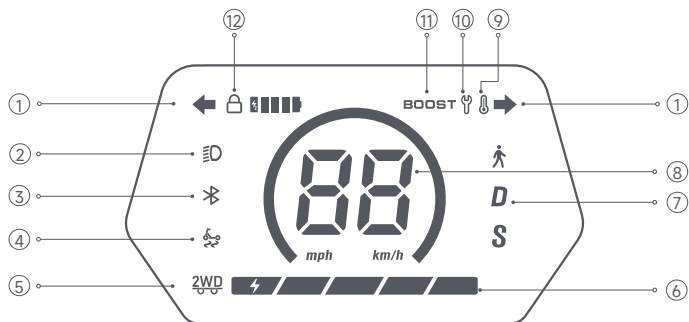


Kormánygombok funkciói



- ① Csengőkar: Nyomja meg a csengő megszólaltatásához.
- ② Fénykapcsoló: Ha a roller be van kapcsolva, nyomja meg az első és hátsó lámpa be- vagy kikapcsolásához.
- ③ Irányjelző gombok: Nyomja meg a bal/jobbi irányjelző aktiválásához. A megfelelő visszajelző villogni kezd a kijelzőn. Ismételt megnyomással kikapcsolható.
- ④ BOOST gomb: Nyomja meg a BOOST funkció aktiválásához (csak S módban működik), majd nyomja meg ismét a kilépéshez.
Megjegyzés: Csak akkor ajánlott, ha a vezető elsajátította az alapvető irányítást.
- ⑤ Bekapcsoló gomb / Módváltás: Nyomja meg a bekapcsoláshoz. Tartva lenyomva 2 másodpercig a kikapcsoláshoz. Bekapcsolva dupla kattintással módot válthat.
- ⑥ Gázkar: Nyomja meg a gyorsításhoz (csak 3 km/h fölötti indulási sebességnél működik).
Megjegyzés: Az indulási sebesség a NAVEE alkalmazással állítható.

* A bemutatott képek csak illusztrációs célokat szolgálnak. A tényleges termék eltérhet.



- ① Bal/Irányjelző: Amikor az ikon villog, az azt jelzi, hogy a bal/jobb irányjelző be van kapcsolva.
- ② Fény: Jelzi, hogy a fényszóró be van kapcsolva.
- ③ Bluetooth: A Bluetooth ikon világít, ha a roller sikeresen csatlakozott a mobilkészülethez.
- ④ TCS (kipörgésgátló rendszer): Bekapcsolt állapotban a TCS segít megelőzni a kerekek túlzott megcsúszását, és javítja az irányíthatóságot induláskor, gyorsításkor vagy kanyarodáskor. A NAVEE alkalmazáson keresztül be- és kikapcsolható.
- ⑤ Kétkerekes hajtás (csak NT5 Ultra X esetén): Jelzi, hogy a kétkerekes hajtásmód aktív. Tartsa lenyomva a BOOST gombot 3 másodpercig a be- vagy kikapcsoláshoz, vagy vezérelje a NAVEE alkalmazáson keresztül.
- ⑥ Akkumulátor szint: Az akkumulátor töltöttsége öt sávval jelenik meg. Minden sáv kb. 20%-os töltöttséget jelez.
- ⑦ Menetmódok: \uparrow jelöli a gyalogos módot — maximális sebesség: 6 km/h. D a normál mód, S a sportmód.
- ⑧ Sebességmérő: Megjeleníti az aktuális haladási sebességet. Hiba esetén hibakódot, töltés közben az akkumulátor töltöttségét mutatja.
- ⑨ Hőmérséklet-figyelmeztetés: A hőmérő ikon világít, ha az akkumulátor hőmérséklete túl magas vagy túl alacsony. Használat vagy töltés előtt várja meg, amíg a hőmérséklet visszatér a normál tartományba.
- ⑩ Hibajelző: Egy folyamatosan világító piros villáskulcs ikon a rendszer meghibásodását jelzi.
- ⑪ BOOST mód: Jelzi, hogy a gyorsító funkció aktiválva van.
- ⑫ Zár: Ez az ikon világít, amikor a roller le van zárva. A rollert a NAVEE alkalmazás segítségével lehet lezárni vagy feloldani.

3. Karbantartás és gondozás

Tisztítás

A roller tisztítása előtt:

Kapcsolja ki a készüléket. Húzza ki a töltőkábelt. Győződjön meg róla, hogy a töltőport fedele teljesen zárva van.

Tisztításhoz:

Törölje le a rollert puha, nedves kendővel. Makacs szennyeződés esetén használjon puha keféet (pl. fogkefe). Végül törölje szárazra a felületeket tiszta, száraz kendővel.

Kerülje az alábbiakat:

- Nagynyomású víz használata (károsíthatja a belső alkatrészeket).
- Maró tisztítószerek használata (károsíthatják a külső és belső részeket).

Akkugondozás

Az akkumulátor élettartamának meghosszabbítása érdekében:

Kerülje az akkumulátor teljes lemerítését. Rendszeresen tölts fel.

Mindig tartsa be a specifikációban megadott használati, töltési és tárolási hőmérsékleteket.

Ha hosszabb ideig nem használja, tölts fel 60 naponta a tartós károsodás elkerülése érdekében. Teljesen feltöltött roller kb. 120–180 napig maradhat készenléti állapotban.

Akkumulátor figyelmeztetések:

- Csak az eredeti töltőt és akkumulátort használja, amelyet a rollerhez mellékeltek.
- Soha ne használjon más modellhez vagy márkához tartozó akkumulátort vagy töltőt.
- Ne töltsé vagy használja a rollert, ha az akkumulátor sérült vagy víz érte.
- Ne próbálja meg saját maga eltávolítani az akkumulátort — szakszerviz szükséges.

Tárolás

Hosszú távú tárolás esetén:

Tölts fel teljesen az akkumulátort. Kapcsolja ki a rollert. Tárolja hűvös, száraz helyen, napfénytől és nedvességtől védve.

Amennyiben lehetséges, használja az eredeti csomagolást a szállításhoz.

Tárolási emlékeztetők:

- Tartsa a rollert gyúlékony anyagoktól távol.
- Kerülje a közvetlen napfényt vagy a nagyon nedves környezetet.
- Ez a termék lítium akkumulátort tartalmaz. Kövesse a helyi szállítási és tárolási előírásokat.

Környezetvédelmi tájékoztatás

A roller egy újratölthető lítiumion-akkumulátorcsomagot tartalmaz, és ezen akkumulátorok helytelen ártalmatlanítása káros hatással van a környezetre. Az alábbi lépéseket követve távolítsa el az akkumulátorokat a roller ártalmatlanítása előtt, és megfelelően ártalmatlanítsa azokat:

1. Az akkumulátor eltávolítása előtt győződjön meg arról, hogy a roller ki van kapcsolva, és az akkumulátor teljesen lemerült. Csavarja ki a műanyag alkatrészeket, a kítámasztót, az akkumulátorrekesz fedelét és a vezérlő fedelét rögzítő csavarokat, majd óvatosan távolítsa el minden alkatrészt.
2. Húzza ki az akkumulátor csatlakozóját, majd távolítsa el az akkumulátorokat. Ne sértse fel az akkumulátor házát a sérülések kockázatának elkerülése végett. Ne használja az akkumulátort, ha az sérült, furcsa szagot áraszt, füstöt bocsát ki, vagy túlmelegszik. Tartsa távol a szivárgó akkumulátort más tárgyaktól.
3. Az eltávolított akkumulátort adja le egy hivatalos akkumulátor-újrahasznosító központban.

Rollerkarbantartási ütemterv (ajánlott):

A roller rendszeres karbantartása segíthet a roller rendezett és jó állapotban tartásában, elkerülni a biztonsági kockázatokat, minimalizálni a meghibásodásokat, lassítani a roller elhasználódását és meghosszabbítani a roller élettartamát.

Tétel	A karbantartás tárgya	Műveletek	Havonta	3 havonta	500 km-enként / 6 havonta	1000 km-enként / évente	Minden 10000 km-enként / 3 évente
Kerekek	Gumiabroncs kopása	Ellenőrizze, hogy a gumiabroncs repedt-e, deformálódott-e, kopott-e stb.			✓	✓	✓
Csavarok	Kormány szerkezeti csavarok	Húzza meg a csavart, amely rögzíti a kormányrúdszerkezetet a szárszerkezethez (ajánlott nyomaték: 4,5 ± 0,5 N·m).		✓	✓	✓	✓
		Húzza meg a gázkar csavarját (ajánlott nyomaték: 2,5 ± 0,1 N·m).				✓	✓
	Húzza meg a fékkar csavarját (ajánlott nyomaték: 5,5 ± 0,2 N·m).					✓	✓
	Tárcsaféknyereg	Húzza meg a tárcsaféknyereg rögzítőcsavarját (ajánlott nyomaték: 7,0 ± 0,5 N·m).			✓	✓	✓

Tétel	A karbantartás tárgya	Műveletek	Havonta	3 havonta	500 km-enként / 6 havonta	1000 km-enként / évente	Minden 10000 km-enként / 3 évente
Funkciók	Fékbeállítás	Mielőtt beállítaná, szerezzen be egy 4 mm-es csavarkulcsot (felhasználó biztosítja), és győződjön meg arról, hogy a roller ki van kapcsolva és nem töltődik. Beállítás közben húzza meg a fékkábel végét, hogy a kábel feszes legyen. Ha a fék túl szoros, a szerszámmal lazítsa meg a csavart az óramutató járásával ellentétes irányban, húzza ki a tárcsafék lengőkarját, majd húzza meg a csavart. Ha a fék túl laza, a szerszámmal lazítsa meg a csavart az óramutató járásával ellentétes irányban, tolja előre a tárcsafék lengőkarját, majd húzza meg a csavart.			✓	✓	✓
	Töltés	Töltse a rollert megfelelő hőmérsékleten. A töltőn lévő jelzőfény piros, amikor a roller töltődik, és zöldre vált, amikor a roller teljesen fel van töltve. A vezérlőpanel a töltési állapotot is mutatja a töltés alatt.			✓	✓	✓
	Kormányzás	Forgassa a kormányt 60° -kal balra és jobbra, hogy megbizonyosodjon arról, hogy a fordulási szög helyes, és a kormányzás ellenállás és pangás nélkül működik.				✓	✓
Fontos alkatrészek	Akkumulátorberendezés	Teljesen töltse fel a rollert, mielőtt hosszú ideig használaton kívül helyezné, és 60 naponta kapcsolja be töltés céljából.					✓

A kerekek, fékbetétek és egyéb sérülékeny alkatrészek elhasználódnak vagy károsodnak, és cserére van szükség, kérjük, időben lépjen kapcsolatba az ügyfélszolgálattal.

Hivatalos szervizpartner kereséséhez kérjük, lépjen velünk kapcsolatba a service@navee.tech címen, vagy látogasson el a <https://www.naveetech.com> weboldalra.

4. Műszaki adatok

Termék	Megnevezés		NAVEE elektromos roller				
	Modell	NT5 Max EU	NT5 Max DE	NT5 Max IT	NT5 Max SE	NT5 Max AT	
Méretek	Jármű: H × Sz × M (mm) ^[1]	1250 × 625 × 1355					
	Összcscukva: H × Sz × M (mm)	1250 × 625 × 645					
Nettó súly	A jármű nettó tömege (kg)	33,5					
	Terhelhetőségi tartomány (kg)	25-150					
Felhasználó	Életkor (év)	16-50					
	Testhossz (cm)	120-200					
	Max. sebesség (km/h)	25	25	20	20	25	
Összeszerelt elektromos roller	Maximális hatótáv (km) ^[2]	85					
	Hatótáv maximális sebességnél (km) ^[3]	53	53	75	75	53	
	Max. kapaszkodóképesség (%)	28					
	Megfelelő felületek	Cement- vagy aszfaltút, 1 cm-nél kisebb padkával vagy 3 cm-nél keskenyebb résekkel.					
	Üzemi hőmérséklet (°C)	-10 és 40 között					
	Tárolási hőmérséklet (°C)	-20 és 45 között					
	IP-védettség	IPX6					
	Töltési idő (h)	Kb. 5-6					
	Akkumulátor csomag	Modell	T2545-BD1A				
		Névleges feszültség (VDC)	46,8				
Max. töltési feszültség (VDC)		54,6					
Névleges teljesítmény (Wh)		561,6					
Intelligens akkumulátor-kezelő rendszer		Túlmelegedés, rövidzárlat, túláram, túlkisülés és túltöltés elleni védelem					
Normál töltési hőmérséklet-tartomány (°C)		0 és 40 között					
Kerékmotor	Névleges kapacitás (Ah)	12					
	A motor névleges teljesítménye (kW; W)	0,7; 700	0,5; 500	0,5; 500	0,25; 250	0,6; 600	
Akkumulátortöltő	Modell ^[4]	FY1505462450					
	Kimeneti teljesítmény (kW; W)	0,133; 133,77					
	Bemeneti feszültség (VAC)	100-240 V- 50/60 Hz					
	Névleges kimeneti teljesítmény (VDC; A)	54,6 ; 2,45					
Gumiabroncs	Első és hátsó gumiabroncs	10,5 hüvelykes terepgumik nagy tapadással					
Bluetooth	Frekvenciasáv (s)	2.4000 - 2.4835 GHz					
	Max. RF teljesítmény (dBm)	8					

[1] Járműmagasság: a talajtól a roller tetejéig.

[2] Maximális hatótáv: mérve szélcsendben, 25 °C-on, teljesen feltöltött rollerrel, 15 km/h állandó sebességen, sík felületen 75 kg terheléssel.

[3] Hatótáv maximális sebességnél: mérve szélcsendben, 25 °C-on, teljesen feltöltött rollerrel, sík felületen 75 kg terheléssel.

[4] Az akkumulátor töltéséhez csak a csomagban található töltőt használja.

Termék	Megnevezés		NAVEE elektromos roller				
	Modell	NT5 Ultra X EU	NT5 Ultra X DE	NT5 Ultra X IT	NT5 Ultra X SE	NT5 Ultra X AT	
Méretek	Jármű: H × Sz × M (mm) ^[1]	1250 × 625 × 1355					
	Összcscukva: H × Sz × M (mm)	1250 × 625 × 645					
Nettó súly	A jármű nettó tömege (kg)	36,5					
	Terhelhetőségi tartomány (kg)	25-150					
Felhasználó	Életkor (év)	16-50					
	Testhossz (cm)	120-200					
	Max. sebesség (km/h)	25	20	20	20	25	
Összeszerelt elektromos roller	Maximális hatótáv (km) ^[2]	90					
	Hatótáv maximális sebességnél (km) ^[3]	66	78	78	78	66	
	Max. kapaszkodóképesség (%)	45					
	Megfelelő felületek	Cement- vagy aszfaltút, 1 cm-nél kisebb padkával vagy 3 cm-nél keskenyebb résekkel.					
	Üzemi hőmérséklet (°C)	-10 és 40 között					
	Tárolási hőmérséklet (°C)	-20 és 45 között					
	IP-védettség	IPX6					
	Töltési idő (h)	Kb. 7-8					
	Akkumulátor csomag	Modell	T2443-BD6A				
		Névleges feszültség (VDC)	46,8				
Max. töltési feszültség (VDC)		54,6					
Névleges teljesítmény (Wh)		898,56					
Intelligens akkumulátor-kezelő rendszer		Túlmelegedés, rövidzárlat, túláram, túlkisülés és túltöltés elleni védelem					
Normál töltési hőmérséklet-tartomány (°C)		0 és 40 között					
Kerékmotor	Névleges kapacitás (Ah)	19,2					
	A motor névleges teljesítménye (kW; W)	0,5 × 2; 500 × 2	0,25 × 2; 250 × 2	0,25 × 2; 250 × 2	0,125 × 2; 125 × 2	0,3 × 2; 300 × 2	
Akkumulátortöltő	Modell ^[4]	FY1505462450					
	Kimeneti teljesítmény (kW; W)	0,133; 133,77					
	Bemeneti feszültség (VAC)	100-240 V- 50/60 Hz					
	Névleges kimeneti teljesítmény (VDC; A)	54,6 ; 2,45					
Gumiabroncs	Első és hátsó gumiabroncs	10,5 hüvelykes terepgumik nagy tapadással					
Bluetooth	Frekvenciasáv (s)	2.4000 - 2.4835 GHz					
	Max. RF teljesítmény (dBm)	8					

[1] Járműmagasság: a talajtól a roller tetejéig.

[2] Maximális hatótáv: mérve szélcsendben, 25 °C-on, teljesen feltöltött rollerrel, 15 km/h állandó sebességen, sík felületen 75 kg terheléssel.

[3] Hatótáv maximális sebességnél: mérve szélcsendben, 25 °C-on, teljesen feltöltött rollerrel, sík felületen 75 kg terheléssel.

[4] Az akkumulátor töltéséhez csak a csomagban található töltőt használja.

5. Tanúsítvány

Veszélyes anyagok alkalmazásának korlátozásáról szóló irányelv (RoHS)

Ez a SPACEWALKER PTE. LTD. termék, tartozékaival együtt (kábelek, vezetékek stb.) megfelelnek az egyes veszélyes anyagok elektromos és elektronikus berendezésekben való alkalmazásának korlátozásáról szóló 2011/65/EU irányelv II. mellékletének, valamint módosításának, a 2015/863/EU irányelvnek.

EU Megfelelőségi Nyilatkozat



Ez a készülék megfelel a lakosságot érő elektromágneses sugárterhelés egészségvédelmi korlátozásáról szóló európai irányelveknek.
A SPACEWALKER PTE. LTD. kijelenti, hogy az [NT5 Max EU], [NT5 Max DE], [NT5 Max IT], [NT5 Max SE], [NT5 Max AT], [NT5 Ultra X EU], [NT5 Ultra X DE], [NT5 Ultra X IT], [NT5 Ultra X SE] és [NT5 Ultra X AT] típusú rádiófrekvenciás berendezés megfelel a 2014/53/EU és a 2006/42/EK irányelveknek. Az EU megfelelőségi nyilatkozat teljes szövege elérhető a következő weboldalon: www.naveetech.com

Európai Unió Megfelelőségi Nyilatkozat

Az Európai Unióban érvényes akkumulátor-újrahasznosítási információk



Az akkumulátorok vagy csomagolásuk a 2023/1542/EU rendeletnek megfelelően vannak címkézve, amely az akkumulátorokra, tárolóelemekre és ezek hulladékaira vonatkozik. Az irányelv meghatározza a használt elemek és akkumulátorok visszavételének és újrahasznosításának az Európai Unió területén érvényes kereteit. Ez a jelölés többféle akkumulátoron szerepel, jelezve, hogy az adott akkumulátor ne kerüljön kommunális hulladék közé, hanem az irányelv által meghatározott módon, az élettartama lejártával kerüljön visszavételre.

A 2023/1542/EU rendeletnek megfelelően az akkumulátorok és tárolóelemek címkézése jelzi, hogy azokat élettartamuk végén külön kell gyűjteni és újrahasznosítani. Az akkumulátor címkéjén szerepelhet az akkumulátorban található fém vegyjele (Pb = ólom, Hg = higány és Cd = kadmium). Az elemek és akkumulátorok felhasználói nem dobhatják ezeket nem válogatott kommunális hulladék közé, hanem kötelesek igénybe venni a vásárlók számára rendelkezésre álló, az elemek és akkumulátorok visszavételére, újrahasznosítására és kezelésére szolgáló begyűjtési keretrendszert. A vásárlók részvétele e folyamatban fontos szerepet játszik az elemek és akkumulátorok potenciális környezeti és emberi egészségre káros hatásának minimalizálásában, mivel veszélyes anyagokat tartalmaznak.

Az elektromos és elektronikai berendezések (EEE) hulladékgyűjtési folyamatnak vagy gyűjtési létesítményeknek való átadása előtt az elemet vagy akkumulátort tartalmazó berendezés végfelhasználójának el kell ezeket az elemeket és akkumulátorokat távolítania külön gyűjtés céljából.

Elektromos és elektronikai hulladékkal kapcsolatos kezelési információk



Minden termék, amelyen ez a szimbólum szerepel, elektromos és elektronikai berendezések hulladékainak minősül (ahogy a 2012/19/EU irányelvben szerepel), amelyet a háztartási hulladéktól elkülönítve kell elhelyezni, arra kijelölt helyen. Az ellenőrzés nélküli hulladéklerakás környezetben, vagy az emberi egészségre okozott káros hatásának elkerülése érdekében kezelje szelektív (újrahasznosítható) elektromos és elektronikai hulladékként a terméket, ezzel segítve elő a fenntartható újrahasznosítást. A termék visszaszolgáltatása során használja az erre kialakított gyűjtőrendszereket, vagy lépjen kapcsolatba a termék értékesítőjével.

Biztonsági figyelmeztetés



Veszély!
Használat előtt olvassa el a használati útmutatót.



FIGYELMEZTETÉS
Olvassa el figyelmesen, és őrizze meg későbbi használatra.



FIGYELEM
Forró felület



Ne tegye ki nedvességnek



Fény



Kapcsolóüzemű tápegység, amely rövidzárlat-ellenálló biztonsági elszigetelő transzformátort tartalmaz (erendően vagy nem erendően)



Kapcsolóüzemű tápegység (SMPS)



Időeltolós mini biztosítóbetétt, ahol az X a IEC 60127-ben megadott időáram jellemzőre szimbóluma



FIGYELMEZTETÉS
Csak beltéri használatra (a töltő esetében).



FIGYELEM
II. osztályú készülék



FIGYELEM
Éles szélek



A töltő 5000 m-nél nem magasabb tengerszint feletti magasságban való használatra készült.



Irányjelző fény



Egyenáram



Váltóáram



A töltő kimenetének polaritása, középen pozitív

Akkumulátortöltő

FIGYELMEZTETÉS

1. A töltő kizárólag beltéri használatra készült. Ne tegye ki esőnek vagy hóesésnek.
2. Ne használja nem újratölthető elemekhez, mivel azok túlmelegedhetnek és megrepedhetnek.
3. Más típusú elemek helytelen használata robbanást okozhat, ami személyi sérülést és kárt okozhat.
4. Ne égesse el, ne szerelje szét, és ne zárlatolja az elemeket.
5. Ha az akkumulátorok teljesítménye jelentősen csökken, ideje cserélni az akkumulátorokat.
6. Tárolja a töltőt hűvös és száraz helyen, ha nem használja.
7. Az akkumulátorhoz való csatlakozások létesítése vagy megszakítása előtt válassza le az eszközt az áramellátásról.
8. Robbanásveszélyes gázok. Kerülje a nyílt lángot és a szikráképződést. Biztosítson megfelelő szellőzést töltés közben.
9. Töltés közben az akkumulátort jól szellőző helyen kell elhelyezni.
10. Tartsa távol az elektromos készülékeket a gyermekektől vagy testi vagy szellemi fogyatékkal élő személyektől. Ne engedje, hogy felügyelet nélkül használják a készülékeket.
11. A készülék csak akkor használható csökkent fizikai, érzékszervi vagy mentális képességekkel élők, vagy kellő tapasztalattal és tudással nem rendelkezők által (a gyermekeket beleértve), ha felügyelet mellett használják, vagy a biztonságukért felelő személytől tájékoztatást kaptak a berendezés biztonságos használatáról.
12. Ez a készülék csak akkor használható 8 éves korú vagy afölötti gyermekek, csökkent fizikai, érzékszervi vagy mentális képességekkel élők, vagy kellő tapasztalattal és tudással nem rendelkezők által, ha felügyelet mellett használják, vagy tájékoztatást kaptak a berendezés biztonságos használatáról, és tudatában vannak a használattal járó kockázatoknak. Gyermekek nem játszhatnak a készülékkel. A tisztítási és karbantartási folyamatokat gyermek csak felügyelet mellett végezheti.
13. Ennek a transzformátornak a külső hajlítható kábele vagy vezetéke nem cserélhető; ha a kábel megsérül, a transzformátort cserélni kell.
14. Ha a tápkábel károsodott, azt a gyártónak vagy a gyártó által megbízott szolgáltatóknak ki kell cserélnie egy erre a célra gyártott kábelre vagy berendezésre.

Töltési utasítások

1. Csatlakoztassa a töltőt közvetlenül egy áramforráshoz. Soha ne használjon hosszabbítókábeleket.
2. A töltő kizárólag típusú lítiumion-akkumulátor töltésére használható.
3. Kerülje a fordított töltést.
4. A töltők nem alkalmasak gépjármű-akkumulátorok töltésére.

 dlevezhető tápellátás rész

Akkumulátorcsomag

FIGYELMEZTETÉS

1. Ne szerelje szét, nyissa fel vagy tépje szét a másodlagos cellákat vagy akkumulátorokat.
2. Tartsa az akkumulátorokat gyermekek elől elzárva. A gyermekek akkumulátorhasználatát felügyelni kell. Különösen tartsa a kis akkumulátorokat távol a kisgyermekektől.
3. Azonnal forduljon orvoshoz, ha egy cellát vagy akkumulátort lenyeltek.
4. Ne tegye ki a cellákat vagy akkumulátorokat hőnek vagy nyílt lángnak. Kerülje a közvetlen napfényben való tárolást.
5. Ne zárlatolja a cellákat és az akkumulátorokat. Ne tárolja a cellákat vagy akkumulátorokat rendezetlenül egy dobozban vagy fiókban, ahol egymást zárlatolhatják, vagy ahol más fém tárgyak rövidzárlatot okozhatnak.
6. Ne távolítsa el a cellát vagy akkumulátort az eredeti csomagolásából, amíg használatra nem kerül.
7. Ne tegye ki a cellákat vagy akkumulátorokat mechanikai ütésnek.
8. Ha egy cella szivárog, ne engedje, hogy a folyadék érintkezzen a bőrrrel vagy a szemmel. Érintkezés esetén alaposan öblítse le az érintett területet bő vízzel, és forduljon orvoshoz.
9. Ne használjon a kifejezetten az eszközökhöz mellékelt töltőtől eltérő töltőt.
10. Figyelje meg a cellán, az akkumulátoron és a berendezésen található plusz (+) és mínusz (-) jeleket, és biztosítsa a helyes használatot.
11. Ne használjon olyan cellát vagy akkumulátort, amelyet nem a berendezéssel való használatra terveztek.
12. Ne kombináljon különböző gyártású, kapacitású, méretű vagy típusú cellákat egy eszközön belül.
13. Mindig a berendezés gyártója által ajánlott akkumulátort vásárolja meg.
14. Tartsa a cellákat és az akkumulátorokat tisztán és szárazon.
15. Törölje le a cellát vagy az akkumulátor termináljait egy tiszta, száraz ronggyal, ha szennyeződés éri őket.
16. A másodlagos cellákat és akkumulátorokat használat előtt fel kell tölteni. Mindig a megfelelő töltőt használja, és kövesse a gyártó vagy a berendezés használati útmutatójának utasításait a megfelelő töltés érdekében.
17. Ne hagyja az akkumulátort hosszú ideig töltés alatt, ha nem használja.
18. Hosszú tárolási idő után szükség lehet a cellák vagy akkumulátorok többszöri töltésére és kisütésére a maximális teljesítmény elérése érdekében.
19. Őrizze meg a termék eredeti dokumentumait későbbi használatra.
20. Csak rendeltetészerűen használja a cellát vagy az akkumulátort.
21. Ha lehetséges, távolítsa el az akkumulátort a berendezésből, amikor nem használja.
22. Ártalmatlanítsa megfelelően.

Garancia összefoglaló

Ez a termék egy korlátozott garanciát tartalmaz, amely a gyártási hibákra vonatkozik a vásárlás dátumától számított meghatározott időszakra. A garancia feltételei, időtartama és a szolgáltatás elérhetősége országonként vagy régióként változhat. A garancia nem terjed ki a helytelen használat, balesetek vagy engedély nélküli javítások által okozott károkra. Részletes feltételekért és helyi támogatásért kérjük, látogasson el a <https://service.naveetech.com> weboldalra.

1. Οδηγίες Ασφαλείας

Αυθεντικές οδηγίες

ΣΗΜΑΝΤΙΚΟ! Παρακαλώ διαβάστε προσεκτικά πριν χρησιμοποιήσετε το προϊόν και κρατήστε το για μελλοντική αναφορά.

Για λεπτομερή ηλεκτρονικό εγχειρίδιο, παρακαλώ επισκεφθείτε το www.naveetech.com

- Αυτή η συσκευή δεν προορίζεται για χρήση από άτομα (συμπεριλαμβανομένων των παιδιών) με περιορισμένες φυσικές, αισθητηριακές ή πνευματικές ικανότητες, ή έλλειψη εμπειρίας και γνώσεων, εκτός εάν έχουν λάβει επίβλεψη ή οδηγίες σχετικά με τη χρήση της συσκευής από ένα άτομο υπεύθυνο για την ασφάλειά τους. Τα παιδιά θα πρέπει να επιβλέπονται για να διασφαλιστεί ότι δεν παίζουν με τη συσκευή.
- Αυτή η συσκευή μπορεί να χρησιμοποιηθεί από παιδιά ηλικίας 8 ετών και άνω και άτομα με μειωμένες φυσικές, αισθητηριακές ή ψυχικές ικανότητες ή έλλειψη εμπειρίας και γνώσεων εφόσον έχουν λάβει επίβλεψη ή οδηγίες σχετικά με τη χρήση της συσκευής με ασφαλή τρόπο και κατανοούν τους κινδύνους που εμπλέκονται. Τα παιδιά δεν πρέπει να παίζουν με τη συσκευή. Ο καθαρισμός και η συντήρηση από τον χρήστη δεν πρέπει να γίνονται από παιδιά χωρίς επίβλεψη.
- Η συσκευή πρέπει να χρησιμοποιείται μόνο με τη μονάδα τροφοδοσίας που παρέχεται με τη συσκευή.
- Πριν από την οδήγηση, παρακαλώ φορέστε κράνη, προστατευτικά γυαλιά/καρπύς, προστατευτικά γονάτων, προστατευτικά ακρώνων και άλλον προστατευτικό εξοπλισμό ανά πάσα στιγμή.
- Το σκούτερ πρέπει να χρησιμοποιείται μόνο από ένα άτομο. Υποχρέωση να φοράτε πάντα παπούτσια. Μην τροποποιείτε τη χρήση του οχήματος. Αυτό το προϊόν προορίζεται μόνο για προσωπική οδήγηση και δεν προορίζεται για ακροβατικά ή κόλπα.
- Το προϊόν συνιστάται για αναβάτες άνω των 16 ετών και κάτω των 50 ετών. Άτομα που δεν είναι κατάλληλα για τη χρήση αυτού του προϊόντος περιλαμβάνουν: (1) Άτομα υπό την επήρεια αλκοόλ ή ναρκωτικών. (2) Άτομα που δεν μπορούν να συμπετάσουν σε έντονη σωματική δραστηριότητα λόγω ασθένειας ή ιατρικής κατάστασης. (3) Άτομα με κακή ισορροπία ή μειωμένες κινητικές ικανότητες. (4) Άτομα των οποίων το βάρος υπερβαίνει το επιτρεπόμενο όριο του προϊόντος. (5) Έγκυες γυναίκες. (6) Άτομα με προβλήματα όρασης ή ακοής.
- Συμμορφωθείτε με τους τοπικούς νόμους και κανονισμούς κατά την οδήγηση αυτού του προϊόντος. Μην οδηγείτε όπου απαγορεύεται από τους τοπικούς νόμους.
- Σε χώρες ή περιοχές όπου δεν υπάρχουν εθνικά πρότυπα ή κανονισμοί σχετικά με τα ηλεκτρικά πατίνια, πρέπει να τηρείτε αυστηρά τις οδηγίες ασφαλείας που αναφέρονται σε αυτό το εγχειρίδιο κατά τη χρήση του προϊόντος. Η μη συμμόρφωση μπορεί να εγκυμονεί κινδύνους για την ασφάλεια των παιδιών. Η εταιρεία SPACEWALKER PTE. LTD. δεν φέρει καμία άμεση ή έμμεση ευθύνη για τραυματισμούς, υλικές ζημιές, στυχήματα, αναφορές ή οποιαδήποτε άλλα αρνητικά αποτελέσματα που προκύπτουν από κακή χρήση ή από χρήση κατά παράβαση των οδηγιών του παρόντος εγχειριδίου.
- Μην οδηγείτε σε λυριδες κυκλοφορίας ή σε κατοικημένες περιοχές όπου επιτρέπεται η παρουσία οχημάτων και πεζών. Όταν περνάτε από ένα μέρος που έχει οριστεί για πεζούς που έχουν δικαίωμα προτεραιότητας σύμφωνα με τους νόμους, όπως η διάβαση πεζών, παρακαλώ κατεβείτε για να περπατήσετε μαζί με το σκούτερ.
- Οι απαιτούμενες προετοιμασίες για τη χρήση αυτού του προϊόντος περιλαμβάνουν: τη διασφάλιση ότι το σύστημα διεύθυνσης είναι σωστά ρυθμισμένο, ότι όλα τα συνδεδεμένα αξεσουάρ (όπως το σύστημα αναδιπλώσης) είναι σωστά σφιγμένα και χωρίς ζημιές, και ότι τα φρένα και οι τροχοί είναι σε καλή κατάσταση.
- Πραγματοποιήστε μια βασική επεξεργασία του ηλεκτρικού σκούτερ πριν από κάθε βόλτα. Εάν υπάρχουν ανώμαλες καταστάσεις όπως χαλαρά μέρη, προετοιμασίες χαμηλής μπαταρίας, ξεφούσκωμα ελαστικά ή υπερβολική φθορά των ελαστικών, περιέρχοι ήχοι, δυσλειτουργίες και άλλες ανώμαλες καταστάσεις, σταματήστε αμέσως την οδήγηση και καλέστε επαγγελματική υποστήριξη.
- Αφιερώστε χρόνο για να μάθετε τα βασικά της οδήγησης για να αποφύγετε οποιοδήποτε σοβαρό ατύχημα που μπορεί να συμβεί στους πρώτους μήνες. Πληροφορίες σχετικά με την οδήγηση και την ασφαλή χρήση (μπορείτε να βρείτε στην ιστοσελίδα: www.naveetech.com)

- Εξασφαλίστε καθαρή ορατότητα και βεβαιωθείτε ότι σας βλέπουν οι άλλοι όταν οδηγείτε.
- Μην οδηγείτε σε κακές καιρικές συνθήκες, σε χαμηλή ορατότητα ή μετά από έντονη σωματική καταπόνηση.
- Ανάψτε το φως του προβολέα και μειώστε την ταχύτητα όταν οδηγείτε στο σκοτάδι.
- Βεβαιωθείτε ότι η βάση στήριξης είναι τοποθετημένη σε επίπεδη επιφάνεια και ότι το σκούτερ είναι αρκετά σταθερό για να σταθεί μόνο του πριν το αφήσετε.
- Αυτό το ηλεκτρικό σκούτερ είναι μια συσκευή αναψυχής. Ωστόσο, όταν εισέρχεστε σε δημόσιο χώρο, θα θεωρείται μέσο μεταφοράς και θα υπόκειται σε πιθανούς κινδύνους ασφαλείας για όλα τα μέσα μεταφοράς. Η οδήγηση σύμφωνα με τις οδηγίες σε αυτό το εγχειρίδιο θα σας προστατεύσει εσάς και τους άλλους στο μέγιστο δυνατό βαθμό.
- Ο χρήστης θα πρέπει να ελέγξει τα όρια χρήσης σύμφωνα με τους τοπικούς κανονισμούς. Οδηγήστε το σκούτερ στους δρόμους ή στις περιοχές που επιτρέπονται από τους τοπικούς κανονισμούς και νόμους και παρκάρετέ το στις επιτρεπόμενες περιοχές. Εάν οι τοπικοί κανονισμοί και νόμοι έχουν διαφορετικές διατάξεις σχετικά με την μέγιστη ταχύτητα, οι τοπικοί κανονισμοί και νόμοι θα επικρατούν. Παρακαλώ σεβαστείτε και ακολουθήστε τους κανόνες οδικής ασφάλειας και οχημάτων.
- Σεβαστείτε το δικαίωμα προτεραιότητας των πεζών. Προσπαθήστε να μην τους τρομάξετε ενώ οδηγείτε, ειδικά τα παιδιά. Όταν οδηγείτε πίσω από πεζούς, χτυπήστε το κουδούνι σας για να τους προειδοποιήσετε και μειώστε την ταχύτητα του σκούτερ σας για να περσάτε από τα αριστερά τους, και κρατηθείτε δεξιά με χαμηλή ταχύτητα ενώ περνάτε από αυτούς (ισχύει για χώρες όπου τα οχήματα οδηγούν δεξιά). Όταν οδηγείτε ανάμεσα σε τους πεζούς, κρατήστε την χαμηλότερη ταχύτητα ή κατεβείτε από το όχημα.
- Σε κάθε περίπτωση, προβλέψτε την τροχιά και την ταχύτητα σας ενώ σέβεστε τον κώδικα οδικής κυκλοφορίας, τον κώδικα πεζοδρομίου και τους πιο ευάλωτους. Ενημερώστε τη παρουσία σας όταν πλησιάζετε έναν πεζό ή ποδηλάτη όταν δεν σας βλέπουν ή δεν σας ακούν. Διασχίστε τις προστατευμένες διαβάσεις ενώ περπατάτε. Αποφύγετε περιοχές με υψηλή κυκλοφορία ή υπερπλήρεις περιοχές.
- Η οδήγηση με υψηλή ταχύτητα ή με ταχύτητα που δεν είναι κατάλληλη ή επαρκής για την κατάσταση (κακές καιρικές συνθήκες, κακές συνθήκες επιφάνειας ή παρόμοια) μπορεί να οδηγήσει σε πιθανή απώλεια σταθερότητας ή απώλεια ελέγχου. Για να μειώσετε οποιοδήποτε κίνδυνο, πρέπει να ακολουθείτε όλες τις οδηγίες σε αυτό το εγχειρίδιο. Να είστε προσεκτικοί κατά την τοποθέτηση και αποσυναρμολόγηση του προϊόντος, μπορεί να πέσει και να προκαλέσει τραυματισμό.
- Η κυκλοφορία στην πόλη έχει πολλά εμπόδια που πρέπει να διασχίσετε, όπως κράσπεδα ή σκαλοπάτια. Συνιστάται να αποφεύγετε τα άματα πάνω από εμπόδια. Είναι σημαντικό να προβλέψετε και να προσαρμόσετε την τροχιά και την ταχύτητά σας με αυτές ενός πεζού πριν διασχίσετε αυτά τα εμπόδια. Συνιστάται επίσης να βγαίνετε από το όχημα όταν αυτά τα εμπόδια γίνονται επικίνδυνα λόγω του οχήματος, του ύψους ή της ολισθησης τους.
- Μην δανειζέτε το σκούτερ σας σε όποιον δεν γνωρίζει τις λειτουργίες. Πριν δανειστείτε το ηλεκτρικό σκούτερ σε άλλους, παρακαλώ βεβαιωθείτε ότι ο αναβάτης έχει διαβάσει αυτό το εγχειρίδιο οδηγιών και έχει παρακολουθήσει το βίντεο οδηγιών, και έχει κατανοήσει τη βασική λειτουργία. Υπευθυμίστε στους αναβάτες να φορούν σωστά την προστασία ασφαλείας για να διασφαλίσουν την ασφάλεια των αναβατών.
- Επικοινωνήστε με τον προμηθευτή σας για κατάλληλους οργανισμούς εκπαίδευσης.
- Σε όλες τις περιπτώσεις, φροντίστε τον εαυτό σας και τους άλλους.
- Οποιοδήποτε φορτίο συνδεδεμένο με το τιμόνι θα επηρεάσει τη σταθερότητα του οχήματος.
- Μην αγιάζετε το σύστημα φρένων, μπορεί να προκαλέσει τραυματισμούς λόγω αιχμηρών άκρων. Το φρένο μπορεί να γίνει ζεστό κατά τη χρήση. Μην αγγίζετε μετά τη χρήση.
- Το επίπεδο εκπομπής ηχητικής πίεσης A-βαθμισμένο είναι λιγότερο από 70 dB(A).
- Για μια καλύτερη εμπειρία οδήγησης, συνιστάται να πραγματοποιείτε τακτική συντήρηση του προϊόντος.
- Αφαιρέστε οποιαδήποτε αιχμηρή άκρη που προκαλείται από τη χρήση.
- Τα αξεσουάρ και οποιαδήποτε επιπλέον αντικείμενα που δεν έχουν εγκριθεί από τον κατασκευαστή δεν πρέπει να χρησιμοποιούνται.
- Η τακτική συντήρηση του οχήματος είναι παράγοντας ασφαλείας.
- Οι αυτοσφικτρες καθώς και οι άλλες αυτοσφικτικές συνδέσεις μπορεί να χάσουν την αποτελεσματικότητά τους και

μπορεί να χρειαστεί να ξανσαφίξουν.

- Ελέγξτε τακτικά τη σφίξιμο των διαφόρων βιδωτών στοιχείων, ιδίως των αξόνων των τροχών, του συστήματος αναδίπλωσης, του συστήματος διεύθυνσης και του άξονα φρένων.
- Μην τροποποιείτε ή μετατρέπετε το όχημα, συμπεριλαμβανομένων του σωλήνα διεύθυνσης και της θήκης, του στελέχους, του μηχανισμού αναδίπλωσης και του πίσω φρένου.
- Μην κάνετε καμία τροποποίηση που δεν αναφέρεται στις οδηγίες.
- Βεβαιωθείτε ότι το σκούτερ είναι απενεργοποιημένο κατά τη μεταφορά και διατηρείται στην αρχική του συσκευασία, αν είναι δυνατόν.
- Για να αποφευχθούν τυχαία ατυχήματα όπως ηλεκτροπληξία και φωτιά λόγω ακατάλληλης χρήσης, παρακαλούμε διαβάστε προσεκτικά τις οδηγίες πριν από τη χρήση και κρατήστε τις σωστά για μελλοντική αναφορά.
- Παρακαλούμε χρησιμοποιήστε αυτό το προϊόν σύμφωνα με τις οδηγίες στο Εγχειρίδιο Χρήστη. Οι χρήστες είναι υπεύθυνοι για οποιαδήποτε απώλεια ή ζημιά που προκύπτει από ακατάλληλη χρήση αυτού του προϊόντος.
- Απενεργοποιήστε το όχημα κατά τη διάρκεια της φόρτισης ή σε μια συγκεκριμένη μη λειτουργική κατάσταση.
- Μην φορτίζετε αν η θύρα φόρτισης ή το καλώδιο φόρτισης είναι υγρά. Διαβάστε προσεκτικά αυτό το εγχειρίδιο πριν από τη φόρτιση.
- Μην φορτίζετε το σκούτερ σε περιβάλλον θερμοκρασίας άνω των 40° C ή κάτω των 0° C.
- Παρακαλώ κρατήστε ασφαλή απόσταση όταν το σκούτερ κινείται σε επίπεδο/χωρίς κλίση δρόμο. Η απόσταση φρεναρίσματος θα αυξηθεί σε βρεγμένο καιρό.
- Η απορρόφηση κραδασμών αυτού του προϊόντος δεν είναι ρυθμιζόμενη (αν ισχύει).
- Η συσκευή δεν προορίζεται για χρήση σε υψόμετρα μεγαλύτερα από 2000 μ πάνω από την επιφάνεια της θάλασσας.
- Η συσκευή θα πρέπει να αποσυνδέεται από την πηγή τροφοδοσίας κατά τη διάρκεια της συντήρησης και όταν αντικαθίστανται τα εξαρτήματα.
- Το εξωτερικό ευέλικτο καλώδιο ή καλώδιο αυτού του μετασχηματιστή (φορτιστή) δεν μπορεί να αντικατασταθεί. Εάν το καλώδιο είναι κατεστραμμένο, ο μετασχηματιστής (φορτιστής) θα πρέπει να απορριφθεί.
- Εάν το εξωτερικό ευέλικτο καλώδιο ή καλώδιο αυτού του μετασχηματιστή είναι κατεστραμμένο, θα πρέπει να αντικατασταθεί από τον κατασκευαστή ή τον αντιπρόσωπό του ή από ένα παρόμοιο καταρτισμένο άτομο προκειμένου να αποφευχθεί κίνδυνος.
- Εάν το καλώδιο τροφοδοσίας είναι κατεστραμμένο, πρέπει να αντικατασταθεί από τον κατασκευαστή, τον αντιπρόσωπό του ή από παρόμοια καταρτισμένα άτομα προκειμένου να αποφευχθεί κίνδυνος.
- Αυτό το προϊόν περιέχει μπαταρίες που μπορούν να αντικατασταθούν μόνο από εξειδικευμένους τεχνικούς ή από την υπηρεσία μετά την πώληση.
- Αυτή η συσκευή περιέχει μπαταρίες που μπορούν να αντικατασταθούν μόνο από εξειδικευμένα άτομα.
- **ΠΡΟΕΙΔΟΠΟΙΗΣΗ:** Για τους σκοπούς της φόρτισης της μπαταρίας, χρησιμοποιήστε μόνο τη μονάδα φόρτισης που παρέχεται με αυτή τη συσκευή. Μην χρησιμοποιείτε φορτιστή μπαταρίας από οποιοδήποτε άλλο προϊόν. Διατηρήστε ασφαλή απόσταση από τα γύρω εύφλεκτα υλικά κατά τη διάρκεια της φόρτισης, το όχημα πρέπει να τοποθετείται σε καλά αεριζόμενο χώρο.
- **ΠΡΟΕΙΔΟΠΟΙΗΣΗ:** Μην χρησιμοποιείτε καμία μπαταρία ή φορτιστή μπαταρίας τρίτου μέρους. Χρησιμοποιήστε μόνο με τη μονάδα τροφοδοσίας FY1505462450.
- **ΠΡΟΕΙΔΟΠΟΙΗΣΗ!** Κρατήστε την πλαστική επικάλυψη μακριά από τα παιδιά για να αποφευχθεί ο πνιγμός.
- **ΠΡΟΕΙΔΟΠΟΙΗΣΗ!** Μην χρησιμοποιείτε το προϊόν κοντά σε πηγή νερού.
- **ΠΡΟΕΙΔΟΠΟΙΗΣΗ!** Σταματήστε να χρησιμοποιείτε το προϊόν όταν είναι κατεστραμμένο.
- **ΠΡΟΕΙΔΟΠΟΙΗΣΗ!** Όπως με κάθε μηχανικό εξάρτημα, ένα όχημα υπόκειται σε υψηλές πιέσεις και φθορά. Τα διάφορα υλικά και εξαρτήματα μπορεί να αντιδρούν διαφορετικά στη φθορά ή την κόπωση. Εάν η

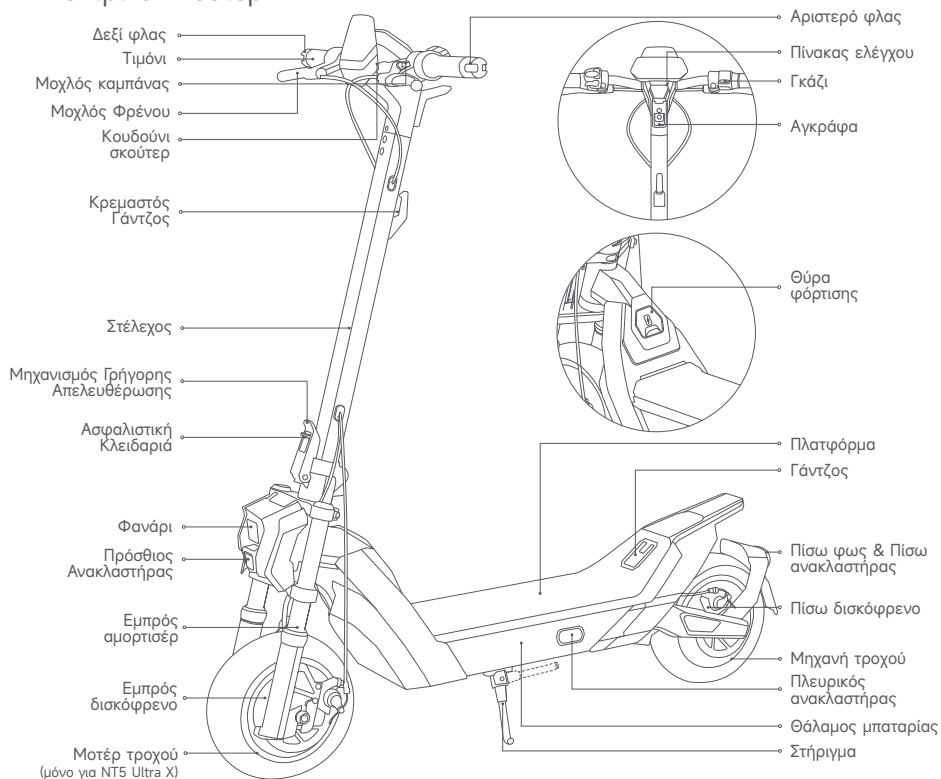
αναμενόμενη διάρκεια ζωής ενός εξαρτήματος έχει ξεπεραστεί, μπορεί να σπάσει ξαφνικά, θέτοντας σε κίνδυνο την ασφάλεια του χρήστη. Ράγες, γρατσουνιές και αποχρωματισμός στις περιοχές που υπόκεινται σε υψηλές πιέσεις υποδεικνύουν ότι το εξάρτημα έχει ξεπεράσει τη διάρκεια ζωής του και παρακαλούμε να επικοινωνήσετε με έναν εξουσιοδοτημένο ή εξειδικευμένο επισκευαστή.

Προσέξτε τα παρακάτω σημεία που ενέχουν κινδύνους συμπίεσης και μαγκώματος των χεριών σας κατά τη χρήση:

1. Μεταξύ του τιμονιού και του στελέχους κατά την εγκατάσταση του τιμονιού.
2. Ανοίγματα στους τροχούς.
3. Μεταξύ του μπροστινού φτερού και της πλατφόρμας.
4. Μεταξύ της γρήγορης απελευθέρωσης και του κλειδώματος της γρήγορης απελευθέρωσης, και μεταξύ της αναδιπλούμενης άρθρωσης και του στελέχους κατά την αναδίπλωση ή την ξεδίπλωση.
5. Μεταξύ των ποδιών και των τροχών.

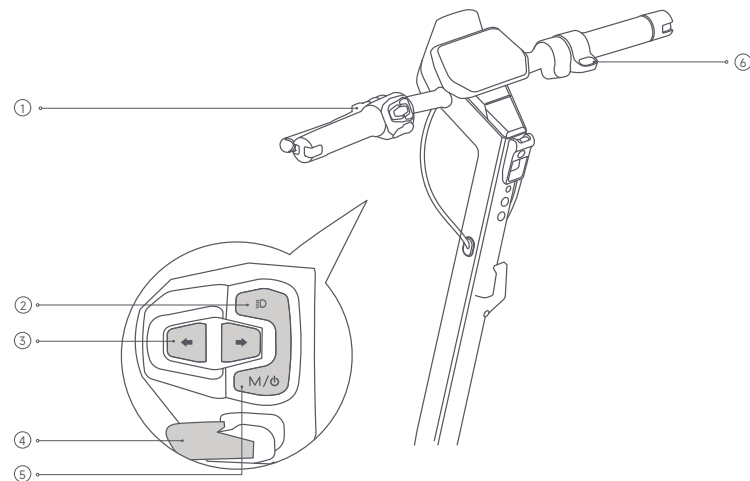
2. Επισκόπηση προϊόντος

Ηλεκτρικό Σκούτερ



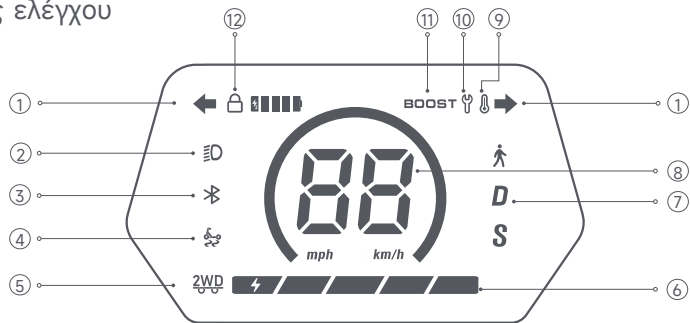
* Οι εικόνες που εμφανίζονται είναι μόνο για εικονογράφηση. Το πραγματικό προϊόν μπορεί να διαφέρει.

Λειτουργίες κουμπιών τιμονιού



- ① Μοχλός κουδουνιού: Πατήστε για να ηχήσει το κουδούνι.
- ② Κουμπί φώτων: Όταν το πατίνι είναι ενεργοποιημένο, πατήστε για να ανάψετε ή να σβήσετε τα φώτα εμπρός και πίσω.
- ③ Κουμπιά φλας: Πατήστε για να ενεργοποιήσετε το αριστερό/δεξί φλας. Το αντίστοιχο σήμα και ένδειξη στον πίνακα θα αρχίσουν να αναβοσβήνουν. Πατήστε ξανά για απενεργοποίηση.
- ④ Κουμπί BOOST: Πατήστε για να ενεργοποιήσετε τη λειτουργία BOOST (διαθέσιμη μόνο σε λειτουργία S) και πατήστε ξανά για έξοδο.
Σημείωση: Συνιστάται μόνο αφού ο αναβάτης έχει αποκτήσει βασικό έλεγχο.
- ⑤ Κουμπί ενεργοποίησης / Εναλλαγή λειτουργιών: Πατήστε για ενεργοποίηση. Κρατήστε πατημένο 2 δευτερόλεπτα για απενεργοποίηση. Πατήστε δύο φορές για αλλαγή λειτουργίας.
- ⑥ Γκάτζι: Πατήστε για επιτάχυνση (λειτουργεί όταν η αρχική ταχύτητα ξεπερνά τα 3 km/h).
Σημείωση: Η αρχική ταχύτητα ρυθμίζεται μέσω της εφαρμογής NAVEE.

Πίνακας ελέγχου



- ① Δείκτης στροφής αριστερά/δεξιά: Όταν η ένδειξη αναβοσβήνει, σημαίνει ότι ο δείκτης στροφής αριστερά/δεξιά είναι ενεργός.
- ② Φως: Δηλώνει ότι το εμπρόσθιο φως είναι αναμμένο.
- ③ Bluetooth: Το εικονίδιο Bluetooth παραμένει αναμμένο όταν το σκούτερ έχει συνδεθεί επιτυχώς με την κινητή σας συσκευή.
- ④ TCS (Σύστημα Ελέγχου Πρόσφυσης): Όταν είναι ενεργό, το TCS βοηθά στην αποτροπή υπερβολικής ολίσθησης των ελαστικών και βελτώνει τη συνολική σταθερότητα κατά την εκκίνηση, την επιτάχυνση ή την στροφή. Μπορεί να ενεργοποιηθεί ή να απενεργοποιηθεί μέσω της εφαρμογής NAVEE.
- ⑤ Διπλή κίνηση (μόνο για NT5 Ultra X): Υποδεικνύει ότι η λειτουργία διπλής κίνησης είναι ενεργή. Κρατήστε πατημένο το κουμπί BOOST για 3 δευτερόλεπτα για να την ενεργοποιήσετε ή να την απενεργοποιήσετε, ή ελέγξτε τη μέσω της εφαρμογής NAVEE.
- ⑥ Επίπεδο Μπαταρίας: Το επίπεδο εμφανίζεται με 5 μπάρες. Κάθε μπάρα αντιστοιχεί περίπου στο 20% μιας πλήρους φόρτισης.
- ⑦ Λειτουργίες Οδήγησης: \mathbb{A} σημαίνει Λειτουργία Περπατήματος — μέγιστη ταχύτητα: 6 km/h. D σημαίνει Στάνταρ Λειτουργία. S σημαίνει Σπορ Λειτουργία.
- ⑧ Ταχύμετρο: Εμφανίζει την τρέχουσα ταχύτητα οδήγησης. Εμφανίζει κωδικούς σφάλματος όταν εντοπίζεται πρόβλημα και δείχνει το επίπεδο μπαταρίας κατά τη φόρτιση.
- ⑨ Προειδοποίηση Θερμοκρασίας: Το εικονίδιο θερμομέτρου ανάβει όταν η θερμοκρασία της μπαταρίας είναι πολύ υψηλή ή πολύ χαμηλή. Περιμένετε να επανέλθει σε φυσιολογικό εύρος πριν χρησιμοποιήσετε ή φορτίσετε το σκούτερ.
- ⑩ Ένδειξη Σφάλματος: Ένα συμπαγές κόκκινο εικονίδιο γαλλικού κλειδιού υποδεικνύει σφάλμα στο σύστημα.
- ⑪ Λειτουργία BOOST: Υποδεικνύει ότι η λειτουργία ενίσχυσης είναι ενεργοποιημένη.
- ⑫ Κλειδώμα: Αυτό το εικονίδιο ανάβει όταν το σκούτερ είναι κλειδωμένο. Μπορείτε να το κλειδώσετε ή να το ξεκλειδώσετε μέσω της εφαρμογής NAVEE.

3. Συντήρηση και Φροντίδα

Καθαρισμός

Πριν καθαρίσετε το πατίνι σας:

Απενεργοποιήστε την παροχή ρεύματος. Αποσυνδέστε το καλώδιο φόρτισης. Βεβαιωθείτε ότι το κάλυμμα της θύρας φόρτισης είναι πλήρως κλειστό.

Για καθαρισμό:

Σκουπίστε το πατίνι με ένα μαλακό, νωπό πανί. Για επίμονη βρωμιά, χρησιμοποιήστε μια μαλακή βούρτσα (π.χ. οδοντόβουρτσα). Ολοκληρώστε στεγνώνοντας όλες τις επιφάνειες με ένα καθαρό, στεγνό πανί.

Αποφύγετε τα εξής:

- Χρήση νερού υψηλής πίεσης (μπορεί να καταστρέψει εσωτερικά εξαρτήματα).
- Χρήση διαβρωτικών καθαριστικών (μπορεί να βλάψουν τα εσωτερικά και εξωτερικά μέρη).

Φροντίδα μπαταρίας

Για μέγιστη διάρκεια ζωής της μπαταρίας:

Αποφύγετε την πλήρη αποφόρτιση. Φορτίζετε τακτικά.

Διατηρείτε πάντα τις θερμοκρασίες χρήσης, φόρτισης και αποθήκευσης εντός των ορίων που αναφέρονται στις προδιαγραφές.

Αν μείνει αχρησιμοποίητο για μεγάλο χρονικό διάστημα, φορτίστε το κάθε 60 ημέρες για να αποφύγετε μόνιμη ζημιά στη μπαταρία. Ένα πλήρως φορτισμένο πατίνι μπορεί να μείνει σε αναμονή για περίπου 120–180 ημέρες.

Προειδοποιήσεις για τη μπαταρία:

- Χρησιμοποιείτε μόνο τον αρχικό φορτιστή και μπαταρία που παρέχεται με το πατίνι.
- Μην χρησιμοποιείτε ποτέ μπαταρία ή φορτιστή από άλλο μοντέλο ή μάρκα.
- Μην φορτίζετε ή χρησιμοποιείτε το πατίνι εάν η μπαταρία είναι κατεστραμμένη ή έχει εκτεθεί σε νερό.
- Μην προσπαθήσετε να αφαιρέσετε τη μπαταρία μόνι σας — απαιτείται επαγγελματική εξυπηρέτηση.

Αποθήκευση

Εάν αποθηκεύετε το πατίνι για μεγάλο χρονικό διάστημα:

Φορτίστε πλήρως τη μπαταρία. Απενεργοποιήστε το πατίνι. Φυλάσσετε το σε δροσερό, ξηρό μέρος, μακριά από ήλιο και υγρασία.

Χρησιμοποιήστε την αρχική συσκευασία για μεταφορά, εάν είναι διαθέσιμη.

Υπευθυμίες αποθήκευσης:

- Κρατήστε το πατίνι μακριά από εύφλεκτα υλικά.
- Αποφύγετε την αποθήκευση σε άμεσο ηλιακό φως ή πολύ υγρά περιβάλλοντα.
- Το προϊόν περιέχει μπαταρία λιθίου. Ακολουθήστε τους τοπικούς νόμους για μεταφορά και αποθήκευση.

Περιβαλλοντική Ειδοποίηση

Το σκούτερ περιέχει επαναφορτιζόμενη μπαταρία λιθίου-ιόντων, και η ακατάλληλη απόρριψη αυτών των μπαταριών θα προκαλέσει βλάβη στο περιβάλλον. Ακολουθήστε τα παρακάτω βήματα για να αφαιρέσετε τις μπαταρίες πριν από την απόρριψη του σκούτερ και απορρίψτε τις μπαταρίες σωστά:

1. Πριν αφαιρέσετε τη μπαταρία, βεβαιωθείτε ότι το πατίνι είναι απενεργοποιημένο και ότι η μπαταρία είναι πλήρως αποφορτισμένη. Ξεβιδώστε τις βίδες που συγκρατούν τα πλαστικά εξαρτήματα, το σταντ, το κάλυμμα της θήκης της μπαταρίας και το κάλυμμα του ελεγκτή και αφαιρέστε προσεκτικά κάθε εξάρτημα.
2. Αποσυνδέστε τον σύνδεσμο της μπαταρίας και στη συνέχεια αφαιρέστε τις μπαταρίες. Μην βλάψετε την θήκη της μπαταρίας για να αποφύγετε οποιονδήποτε κίνδυνο τραυματισμού. Μην χρησιμοποιείτε την μπαταρία αν είναι κατεστραμμένη, έχει περίεργη οσμή, εκπέμπει καπνό ή υπερθερμαίνεται. Κρατήστε μια διαρροή μπαταρίας μακριά από άλλα αντικείμενα.
3. Ανακυκλώστε την αφαιρεθείσα μπαταρία σε πιστοποιημένο κέντρο ανακύκλωσης μπαταριών.

Προγραμματισμός Συντήρησης Σκούτερ (Συνιστώμενος):

Η τακτική συντήρηση του σκούτερ μπορεί να βοηθήσει στη διατήρηση του σκούτερ καθαρού και σε καλή κατάσταση, να αποφευχθούν οι κίνδυνοι ασφαλείας, να ελαχιστοποιηθούν οι βλάβες, να επιβραδυνθεί η φθορά του σκούτερ και να παραταθεί η διάρκεια ζωής του σκούτερ.

Στοιχείο	Αντικείμενο Υπηρεσίας	Ενέργειες	Κάθε μήνα	Κάθε 3 μήνες	Κάθε 500 χλμ/6 μήνες	Κάθε 1000 χλμ/1 χρόνο	Κάθε 10000 χλμ/3 χρόνια
Ελαστικά	Φθορά πέλματος ελαστικού	Ελέγξτε αν το ελαστικό είναι ραγισμένο, παραμορφωμένο, φθαρμένο, κ.λπ.			✓	✓	✓
Βίδες	Βίδες συναρμολόγησης τιμονιού	Σφίξτε την βίδα που συνδέει τη συναρμολόγηση του τιμονιού με τη συναρμολόγηση του λαμίου (με τη συνιστώμενη ροπή $4,5 \pm 0,5$ N·m).		✓	✓	✓	✓
		Σφίξτε την βίδα του γκαζιού (με τη συνιστώμενη ροπή $2,5 \pm 0,1$ N·m).				✓	✓
	Σφίξτε την βίδα του μοχλού φρένου (με τη συνιστώμενη ροπή $5,5 \pm 0,2$ N·m).				✓	✓	✓
	Δαγκάνα δισκόφρενου	Σφίξτε τη βίδα που στερεώνει την δισκόπλακα φρένου (με τη συνιστώμενη ροπή $7,0 \pm 0,5$ N·m).			✓	✓	✓

Στοιχείο	Αντικείμενο Υπηρεσίας	Ενέργειες	Κάθε μήνα	Κάθε 3 μήνες	Κάθε 500 χλμ/6 μήνες	Κάθε 1000 χλμ/1 χρόνο	Κάθε 10000 χλμ/3 χρόνια
Λειτουργίες	Ρύθμιση φρένων	Πριν από την ρύθμιση, πάρτε ένα κλειδί 4 mm (που παρέχεται από τον χρήστη) και βεβαιωθείτε ότι το σκούτερ είναι απενεργοποιημένο και δεν φορτίζεται. Κατά την ρύθμιση, τραβήξτε την άκρη του καλωδίου φρένου για να σφίξετε το καλώδιο. Αν το φρένο είναι πολύ σφιχτό, χρησιμοποιήστε το εργαλείο για να χαλαρώσετε τη βίδα γυρίζοντας την αριστερόστροφα, τραβήξτε το μοχλό του δισκόφρενου προς τα έξω και στη συνέχεια σφίξτε τη βίδα. Αν το φρένο είναι πολύ χαλαρό, χρησιμοποιήστε το εργαλείο για να χαλαρώσετε τη βίδα γυρίζοντας την αριστερόστροφα, σπρώξτε το μοχλό του δισκόφρενου προς τα εμπρός και στη συνέχεια σφίξτε τη βίδα.			✓	✓	✓
	Φόρτιση	Φορτίστε το σκούτερ σε κατάλληλη θερμοκρασία. Η ένδειξη στον φορτιστή της μπαταρίας είναι κόκκινη όταν το σκούτερ φορτίζεται και γίνεται πράσινη όταν το σκούτερ είναι πλήρως φορτισμένο. Ο πίνακας ελέγχου θα δείχνει την κατάσταση φόρτισης ταυτόχρονα κατά τη διάρκεια της φόρτισης.			✓	✓	✓
	Διεύθυνση τιμονιού	Γυρίστε το τιμόνι 60° προς τα αριστερά και προς τα δεξιά για να βεβαιωθείτε ότι η γωνία στροφής είναι σωστή και ότι η διεύθυνση είναι ελεύθερη από αντίσταση και στασιμότητα.				✓	✓
Σημαντικά Στοιχεία	Συναρμολόγηση Μπαταρίας	Φορτίστε πλήρως το σκούτερ πριν το αφήσετε αχρησιμοποίητο για μεγάλο χρονικό διάστημα και ενεργοποιήστε το για φόρτιση κάθε 60 ημέρες.					✓

Οι τροχοί, τα τακάκια φρένων και άλλα ευαίσθητα μέρη φθείρονται ή καταστρέφονται και χρειάζονται αντικατάσταση, παρακαλούμε επικοινωνήστε με την υπηρεσία μετά την πώληση εγκαίρως.

Για να βρείτε πιστοποιημένο πάροχο σέρβις, επικοινωνήστε μαζί μας στο service@navee.tech ή επισκεφθείτε την ιστοσελίδα <https://www.naveetech.com>.

4. Τεχνικά χαρακτηριστικά

Προϊόν	Όνομα	Ηλεκτρικό Πατίνι NAVEE				
	Μοντέλο	NT5 Max EU	NT5 Max DE	NT5 Max IT	NT5 Max SE	NT5 Max AT
Διαστάσεις	Όχημα: Μ × Π × Υ (mm) ^[1]	1250 × 625 × 1355				
	Μετά την αναδιπλωση: Μ × Π × Υ (mm)	1250 × 625 × 645				
Καθαρό Βάρος	Καθαρό βάρος οχήματος (kg)	33,5				
Αναβάτης	Εύρος φορτίου (kg)	25-150				
	Ηλικία (έτη)	16-50				
	Μήκος σώματος (cm)	120-200				
Συναρμολογημένο ηλεκτρικό πατίνι	Μεγ. Ταχύτητα (χμ./ώρ.)	25	20	25	20	25
	Μέγιστη αυτονομία (km) ^[2]	85				
	Αυτονομία στη μέγ. ταχύτητα (km) ^[3]	53	75	53	75	53
	Μεγ. αναρριχητική ικανότητα (%)	28				
	Κατάλληλες επιφάνειες	Δρόμος από τσιμέντο ή άσφαλτο, με παγκάκια μικρότερα από 1 cm ή ρωγμές στενότερες από 3 cm				
	Θερμοκρασία λειτουργίας (°C)	-10 έως 40				
	Θερμοκρασία αποθήκευσης (°C)	-20 έως 45				
	Βαθμός προστασίας	IPX6				
	Χρόνος φόρτισης (ω)	Περίπου 5-6				
	Πακέτο μπαταρίας	Μοντέλο	T2545-BD1A			
Ονομαστική τάση (VDC)		46,8				
Μεγ. Τάση φόρτισης (VDC)		54,6				
Ονομαστική ενέργεια (Wh)		561,6				
Ευφύες σύστημα διαχείρισης μπαταρίας		Προστασία από υπερθέρμανση, βραχυκύκλωμα, υπερβολικό ρεύμα, υπερβολική εκφόρτιση και υπερβολική φόρτιση.				
Εύρος Θερμοκρασίας κανονικής φόρτισης (°C)		0 έως 40				
Διαβαθμισμένη χωρητικότητα (Ah)		12				
Κινητήρας τροχού	Ονομαστική ισχύς κινητήρα (kW; W)	0,7; 700	0,5; 500	0,5; 500	0,25; 250	0,6; 600
	Μοντέλο[4]	FY1505462450				
Φορτιστής μπαταρίας	Ισχύς εξόδου (kW; W)	0,133; 133,77				
	Τάση εισόδου (VAC)	100-240 V- 50/60 Hz				
	Ονομαστική έξοδος (VDC; A)	54,6 ; 2,45				
	Ελαστικό	Ελαστικά εμπρός & Πίσω				
Bluetooth	Ζώνη συχνοτήτων (δευτ.)	2.4000 - 2.4835 GHz				
	Μεγ. Ισχύς RF (dBm)	8				

[1] Ύψος οχήματος: από το έδαφος έως την κορυφή του πατινιού.

[2] Μέγιστη αυτονομία: μετρήθηκε σε 25 °C χωρίς άνεμο, με πλήρως φορτισμένο πατίνι που κινείται με 15 km/h σε επίπεδη επιφάνεια με φορτίο 75 kg.

[3] Αυτονομία στη μέγιστη ταχύτητα: μετρήθηκε σε 25 °C χωρίς άνεμο, με πλήρως φορτισμένο πατίνι που κινείται στη μέγιστη ταχύτητα σε επίπεδη επιφάνεια με φορτίο 75 kg.

[4] Χρησιμοποιήστε μόνο τον φορτιστή που περιλαμβάνεται στη συσκευασία για τη φόρτιση της μπαταρίας.

Προϊόν	Όνομα	Ηλεκτρικό Πατίνι NAVEE				
	Μοντέλο	NT5 Ultra X EU	NT5 Ultra X DE	NT5 Ultra X IT	NT5 Ultra X SE	NT5 Ultra X AT
Διαστάσεις	Όχημα: Μ × Π × Υ (mm) ^[1]	1250 × 625 × 1355				
	Μετά την αναδιπλωση: Μ × Π × Υ (mm)	1250 × 625 × 645				
Καθαρό Βάρος	Καθαρό βάρος οχήματος (kg)	36,5				
Αναβάτης	Εύρος φορτίου (kg)	25-150				
	Ηλικία (έτη)	16-50				
	Μήκος σώματος (cm)	120-200				
Συναρμολογημένο ηλεκτρικό πατίνι	Μεγ. Ταχύτητα (χμ./ώρ.)	25	20	20	20	25
	Μέγιστη αυτονομία (km) ^[2]	90				
	Αυτονομία στη μέγ. ταχύτητα (km) ^[3]	66	78	78	78	66
	Μεγ. αναρριχητική ικανότητα (%)	45				
	Κατάλληλες επιφάνειες	Δρόμος από τσιμέντο ή άσφαλτο, με παγκάκια μικρότερα από 1 cm ή ρωγμές στενότερες από 3 cm				
	Θερμοκρασία λειτουργίας (°C)	-10 έως 40				
	Θερμοκρασία αποθήκευσης (°C)	-20 έως 45				
	Βαθμός προστασίας	IPX6				
	Χρόνος φόρτισης (ω)	Περίπου 7-8				
	Πακέτο μπαταρίας	Μοντέλο	T2443-BD6A			
Ονομαστική τάση (VDC)		46,8				
Μεγ. Τάση φόρτισης (VDC)		54,6				
Ονομαστική ενέργεια (Wh)		898,56				
Ευφύες σύστημα διαχείρισης μπαταρίας		Προστασία από υπερθέρμανση, βραχυκύκλωμα, υπερβολικό ρεύμα, υπερβολική εκφόρτιση και υπερβολική φόρτιση.				
Εύρος Θερμοκρασίας κανονικής φόρτισης (°C)		0 έως 40				
Διαβαθμισμένη χωρητικότητα (Ah)		19,2				
Κινητήρας τροχού	Ονομαστική ισχύς κινητήρα (kW; W)	0,5 × 2; 500 × 2	0,25 × 2; 250 × 2	0,25 × 2; 250 × 2	0,125 × 2; 125 × 2	0,3 × 2; 300 × 2
	Μοντέλο[4]	FY1505462450				
Φορτιστής μπαταρίας	Ισχύς εξόδου (kW; W)	0,133; 133,77				
	Τάση εισόδου (VAC)	100-240 V- 50/60 Hz				
	Ονομαστική έξοδος (VDC; A)	54,6 ; 2,45				
	Ελαστικό	Ελαστικά εμπρός & Πίσω				
Bluetooth	Ζώνη συχνοτήτων (δευτ.)	2.4000 - 2.4835 GHz				
	Μεγ. Ισχύς RF (dBm)	8				

[1] Ύψος οχήματος: από το έδαφος έως την κορυφή του πατινιού.

[2] Μέγιστη αυτονομία: μετρήθηκε σε 25 °C χωρίς άνεμο, με πλήρως φορτισμένο πατίνι που κινείται με 15 km/h σε επίπεδη επιφάνεια με φορτίο 75 kg.

[3] Αυτονομία στη μέγιστη ταχύτητα: μετρήθηκε σε 25 °C χωρίς άνεμο, με πλήρως φορτισμένο πατίνι που κινείται στη μέγιστη ταχύτητα σε επίπεδη επιφάνεια με φορτίο 75 kg.

[4] Χρησιμοποιήστε μόνο τον φορτιστή που περιλαμβάνεται στη συσκευασία για τη φόρτιση της μπαταρίας.

5. Πιστοποίηση

Οδηγία Περιορισμού επικίνδυνων Ουσιών (RoHS)

Το προϊόν της SPACEWALKER PTE. LTD., με τα περιλαμβανόμενα μέρη (καλώδια, καλώδια κ.λπ.) πληροί τον περιορισμό της χρήσης ορισμένων επικίνδυνων ουσιών σε ηλεκτρικό και ηλεκτρονικό εξοπλισμό 2011/65/EU Παράρτημα II και την τροποποίησή του Οδηγία (ΕΕ) 2015/863.

Δήλωση Συμμόρφωσης ΕΕ



Αυτή η συσκευή πληροί τις απαιτήσεις της ΕΕ σχετικά με τον περιορισμό της έκθεσης του γενικού πληθυσμού σε ηλεκτρομαγνητικά πεδία για λόγους προστασίας της υγείας. Με το παρόν, η SPACEWALKER PTE. LTD. δηλώνει ότι ο τύπος ραδιοεξοπλισμού: [NT5 Max EU], [NT5 Max DE], [NT5 Max IT], [NT5 Max SE], [NT5 Max AT], [NT5 Ultra X EU], [NT5 Ultra X DE], [NT5 Ultra X IT], [NT5 Ultra X SE] και [NT5 Ultra X AT] συμμορφώνεται με την Οδηγία 2014/53/EU και 2006/42/EC. Το πλήρες κείμενο της δήλωσης συμμόρφωσης της ΕΕ είναι διαθέσιμο στη διεύθυνση: www.naveetech.com

Δήλωση Συμμόρφωσης Ευρωπαϊκής Ένωσης

Πληροφορίες ανακύκλωσης μπαταριών για την Ευρωπαϊκή Ένωση



Οι μπαταρίες ή οι συσκευασίες τους φέρουν σήμανση σύμφωνα με τον Κανονισμό (ΕΕ) 2023/1542 σχετικά με τις μπαταρίες, τους συσσωρευτές και τα απόβλητά τους. Η Οδηγία καθορίζει το πλαίσιο για την επιστροφή και ανακύκλωση των χρησιμοποιημένων μπαταριών και συσσωρευτών όπως ισχύει σε όλη την Ευρωπαϊκή Ένωση. Αυτή η ετικέτα εφαρμόζεται σε διάφορες μπαταρίες για να υποδείξει ότι η μπαταρία δεν πρέπει να πεταχτεί, αλλά να ανακτηθεί στο τέλος της ζωής της σύμφωνα με αυτή την Οδηγία.

Σύμφωνα με τον Κανονισμό (ΕΕ) 2023/1542, οι μπαταρίες και οι συσσωρευτές φέρουν σήμανση που υποδεικνύει ότι πρέπει να συλλέγονται χωριστά και να ανακυκλώνονται στο τέλος της ζωής τους. Η ετικέτα στη μπαταρία μπορεί επίσης να περιλαμβάνει ένα χημικό σύμβολο για το μέταλλο που αφορά τη μπαταρία (Pb για μολύβδο, Hg για υδράργυρο και Cd για κάδμιο). Οι χρήστες μπαταριών και συσσωρευτών δεν πρέπει να απορρίπτουν τις μπαταρίες και τους συσσωρευτές ως αταξινόμητα δημοτικά απόβλητα, αλλά να χρησιμοποιούν το πλαίσιο συλλογής που είναι διαθέσιμο στους πελάτες για την επιστροφή, ανακύκλωση και επεξεργασία μπαταριών και συσσωρευτών. Η συμμετογή των πελατών είναι σημαντική για να ελαχιστοποιηθούν οι πιθανές επιπτώσεις των μπαταριών και συσσωρευτών στο περιβάλλον και την ανθρώπινη υγεία λόγω της πιθανής παρουσίας επικίνδυνων ουσιών.

Πριν τοποθετήσουν ηλεκτρικό και ηλεκτρονικό εξοπλισμό (EEE) στη ροή συλλογής απορριμμάτων ή σε εγκαταστάσεις συλλογής απορριμμάτων, ο τελικός χρήστης του εξοπλισμού που περιέχει μπαταρίες και/ή συσσωρευτές πρέπει να αφαιρέσει αυτές τις μπαταρίες και τους συσσωρευτές για ξεχωριστή συλλογή.

Οδηγία για τα Απόβλητα Ηλεκτρικού και Ηλεκτρονικού Εξοπλισμού (WEEE)



Όλα τα προϊόντα που φέρουν αυτό το σύμβολο είναι απόβλητα ηλεκτρικού και ηλεκτρονικού εξοπλισμού (WEEE σύμφωνα με την οδηγία 2012/19/EU) που δεν πρέπει να αναμειγνύονται με ακατάλληλα οικιακά απόβλητα. Αντίθετα, θα πρέπει να προστατεύσετε την ανθρώπινη υγεία και το περιβάλλον παραδίδοντας τον απόβλητο εξοπλισμό σας σε έναν καθορισμένο σημείο συλλογής για την ανακύκλωση αποβλήτων ηλεκτρικού και ηλεκτρονικού εξοπλισμού, που έχει διοριστεί από την κυβέρνηση ή τις τοπικές αρχές. Η σωστή απόρριψη και ανακύκλωση θα βοηθήσει στην πρόληψη πιθανών αρνητικών συνεπειών για το περιβάλλον και την ανθρώπινη υγεία. Παρακαλούμε επικοινωνήστε με τον εγκαταστάτη ή τις τοπικές αρχές για περισσότερες πληροφορίες σχετικά με την τοποθεσία καθώς και τους όρους και τις προϋποθέσεις αυτών των σημείων συλλογής.

Προειδοποίηση Ασφαλείας



Κίνδυνος!
Διαβάστε το εγχειρίδιο χρήσης πριν από τη χρήση.



ΠΡΟΕΙΔΟΠΟΙΗΣΗ
Μόνο για εσωτερική χρήση (για τον φορτιστή).



ΠΡΟΕΙΔΟΠΟΙΗΣΗ
Διαβάστε προσεκτικά και κρατήστε για μελλοντική αναφορά.



ΠΡΟΕΙΔΟΠΟΙΗΣΗ
Συσκευή κατηγορίας II



ΠΡΟΕΙΔΟΠΟΙΗΣΗ
Ζεστή Επιφάνεια



ΠΡΟΕΙΔΟΠΟΙΗΣΗ
Ακμές που κόβουν



Μην εκθέτετε σε υγρασία



Ο φορτιστής προορίζεται για χρήση σε υψόμετρα που δεν υπερβαίνουν τα 5000μ.



Φως



Φλας



SMPS που περιλαμβάνει έναν ασφαλή απομονωτικό μετασχηματιστή αντοχής σε βραχυκύκλωμα (κατά βάση ή μη)



Άμεσο ρεύμα



SMPS (Μονάδα τροφοδοσίας εναλλασσόμενου ρεύματος)



Εναλλασσόμενο ρεύμα



Ασφάλεια μικρού χρόνου καθυστέρησης όπου το X είναι το σύμβολο για την χαρακτηριστική χρόνου/ρεύματος όπως δίνεται στο IEC 60127



Πολικότητα της εξόδου του φορτιστή, κέντρο θετικό

Φορτιστής μπαταρίας

ΠΡΟΕΙΔΟΠΟΙΗΣΗ

1. Ο φορτιστής έχει σχεδιαστεί μόνο για εσωτερική χρήση. Μην τον εκθέτετε σε βροχή ή χιόνι.
2. Μην χρησιμοποιείτε για μη επαναφορτιζόμενες μπαταρίες, καθώς μπορεί να υπερθερμανθούν και να σπάσουν.
3. Η κακή χρήση άλλων τύπων μπαταριών μπορεί να προκαλέσει έκρηξη, προκαλώντας σωματική βλάβη και ζημιά.
4. Μην καίτε, αποσυαρμολογείτε ή βραχυκυκλώνετε τις μπαταρίες.
5. Αν η απόδοση των μπαταριών μειωθεί σημαντικά, είναι καιρός να αντικατασταθούν οι μπαταρίες.
6. Αποθηκεύστε τον φορτιστή σε δροσερό και ξηρό μέρος όταν δεν χρησιμοποιείται.
7. Αποσυνδέστε την τροφοδοσία πριν από την πραγματοποίηση ή την αποσύνδεση των συνδέσεων με την μπαταρία.
8. Εκρηκτικά αέρια. Αποτρέψτε τις φλόγες και τις σπινθήρες. Παρέχετε επαρκή αερισμό κατά τη διάρκεια της φόρτισης.
9. Κατά τη διάρκεια της φόρτισης, η μπαταρία πρέπει να τοποθετείται σε καλά αεριζόμενο χώρο.
10. Κρατήστε τις ηλεκτρικές συσκευές μακριά από παιδιά ή άτομα με αναπηρίες. Μην τους επιτρέπετε να χρησιμοποιούν τις συσκευές χωρίς επίβλεψη.
11. Αυτή η συσκευή δεν προορίζεται για χρήση από άτομα (συμπεριλαμβανομένων των παιδιών) με μειωμένες φυσικές, αισθητηριακές ή ψυχικές ικανότητες, ή έλλειψη εμπειρίας και γνώσεων, εκτός αν έχουν λάβει επίβλεψη ή οδηγίες σχετικά με τη χρήση της συσκευής από ένα άτομο υπεύθυνο για την ασφάλειά τους.
12. Αυτή η συσκευή μπορεί να χρησιμοποιηθεί από παιδιά ηλικίας 8 ετών και άνω και άτομα με μειωμένες φυσικές, αισθητηριακές ή ψυχικές ικανότητες ή έλλειψη εμπειρίας και γνώσεων εφόσον έχουν λάβει επίβλεψη ή οδηγίες σχετικά με τη χρήση της συσκευής με ασφαλή τρόπο και κατανοούν τους κινδύνους που εμπλέκονται. Τα παιδιά δεν πρέπει να παίζουν με τη συσκευή. Ο καθαρισμός και η συντήρηση από τον χρήστη δεν πρέπει να γίνονται από παιδιά χωρίς επίβλεψη.
13. Το εξωτερικό ευέλικτο καλώδιο ή καλώδιο αυτού του μετασχηματιστή δεν μπορεί να αντικατασταθεί. Εάν το καλώδιο είναι κατεστραμμένο, ο μετασχηματιστής πρέπει να απορριφθεί.
14. Εάν το καλώδιο τροφοδοσίας είναι κατεστραμμένο, πρέπει να αντικατασταθεί με ένα ειδικό καλώδιο ή συναρμολόγηση που είναι διαθέσιμη από τον κατασκευαστή ή τον αντιπρόσωπό του.

Οδηγίες φόρτισης

1. Συνδέστε τον φορτιστή απευθείας σε μια πηγή ρεύματος. Ποτέ μην χρησιμοποιείτε καλώδια επέκτασης.
2. Ο φορτιστής μπορεί να φορτίσει μόνο την μπαταρία λιθίου.
3. Αποφύγετε τη αντίστροφη φόρτιση.
4. Οι φορτιστές δεν προορίζονται για τη φόρτιση μπαταριών αυτοκινήτου.

 αποσπώμενο τμήμα τροφοδοσίας

Μπαταρία Pack

ΠΡΟΕΙΔΟΠΟΙΗΣΗ

1. Μην αποσυαρμολογείτε, ανοίγετε ή θρυμματίζετε δευτερεύουσες κυψέλες ή μπαταρίες.
2. Κρατήστε τις μπαταρίες μακριά από τα παιδιά. Η χρήση μπαταριών από παιδιά θα πρέπει να επιβλέπεται. Ιδιαίτερα κρατήστε τις μικρές μπαταρίες μακριά από τα μικρά παιδιά.
3. Ζητήστε αμέσως ιατρική συμβουλή αν έχει καταποθεί μια κυψέλη ή μια μπαταρία.
4. Μην εκθέτετε τις κυψέλες ή τις μπαταρίες σε θερμότητα ή φωτιά. Αποφύγετε την αποθήκευση σε άμεσο ηλιακό φως.
5. Μην βραχυκυκλώνετε ένα κελί ή μια μπαταρία. Μην αποθηκεύετε κελιά ή μπαταρίες ακατάστατα σε ένα κουτί ή συρτάρι όπου μπορεί να βραχυκυκλωθούν μεταξύ τους ή να βραχυκυκλωθούν από άλλα μεταλλικά αντικείμενα.
6. Μην αφαιρείτε ένα κελί ή μπαταρία από την αρχική του συσκευασία μέχρι να απαιτηθεί για χρήση.
7. Μην υποβάλλετε τα κελιά ή τις μπαταρίες σε μηχανικό σοκ.
8. Σε περίπτωση διαρροής ενός κελιού, μην επιτρέπετε στο υγρό να έρθει σε επαφή με το δέρμα ή τα μάτια. Εάν έχει γίνει επαφή, πλύνετε την επηρεασμένη περιοχή με άφθονο νερό και ζητήστε ιατρική συμβουλή.
9. Μην χρησιμοποιείτε κανένα φορτιστή εκτός από αυτόν που παρέχεται ειδικά για χρήση με τον εξοπλισμό.
10. Παρατηρήστε τα σημάδια συν (+) και πλην (-) στην κυψέλη, την μπαταρία και τον εξοπλισμό και διασφαλίστε τη σωστή χρήση.
11. Μην χρησιμοποιείτε καμία κυψέλη ή μπαταρία που δεν έχει σχεδιαστεί για χρήση με τον εξοπλισμό.
12. Μην αναμειγνύετε κυψέλες διαφορετικών κατασκευαστών, χωρητικότητας, μεγέθους ή τύπου μέσα σε μια συσκευή.
13. Αγοράστε πάντα την μπαταρία που προτείνει ο κατασκευαστής της συσκευής για τον εξοπλισμό.
14. Διατηρήστε τις κυψέλες και τις μπαταρίες καθαρές και ξηρές.
15. Σκουπίστε τα ακροδέκτες της κυψέλης ή της μπαταρίας με ένα καθαρό, στεγνό πανί αν γίνουν βρώμικοι.
16. Οι δευτερεύουσες κυψέλες και οι μπαταρίες χρειάζονται φόρτιση πριν από τη χρήση. Χρησιμοποιείτε πάντα τον σωστό φορτιστή και ανατρέξτε στις οδηγίες του κατασκευαστή ή στο εγχειρίδιο εξοπλισμού για σωστές οδηγίες φόρτισης.
17. Μην αφήνετε μια μπαταρία σε παρατεταμένη φόρτιση όταν δεν χρησιμοποιείται.
18. Μετά από παρατεταμένες περιόδους αποθήκευσης, μπορεί να είναι απαραίτητο να φορτίσετε και να αποφορτίσετε τις κυψέλες ή τις μπαταρίες αρκετές φορές για να επιτύχετε μέγιστη απόδοση.
19. Διατηρήστε την αρχική τεκμηρίωση προϊόντος για μελλοντική αναφορά.
20. Χρησιμοποιήστε το κελί ή την μπαταρία μόνο στην εφαρμογή για την οποία προορίζεται.
21. Όταν είναι δυνατόν, αφαιρέστε την μπαταρία από τον εξοπλισμό όταν δεν χρησιμοποιείται.
22. Απορρίψτε σωστά.

Περίληψη Εγγύησης

Αυτό το προϊόν περιλαμβάνει περιορισμένη εγγύηση που καλύπτει κατασκευαστικά ελαττώματα για καθορισμένη περίοδο από την ημερομηνία αγοράς. Οι όροι εγγύησης, η διάρκεια και η διαθεσιμότητα υπηρεσιών μπορεί να διαφέρουν ανά χώρα ή περιοχή. Η εγγύηση δεν καλύπτει ζημιές που προκύπτουν από κακή χρήση, ατυχήματα ή μη εξουσιοδοτημένες επισκευές. Για λεπτομερείς όρους και τοπική υποστήριξη, παρακαλώ επισκεφθείτε το <https://service.naveetech.com>.

1. Instrucțiuni de siguranță

Instrucțiuni originale

IMPORTANT! Vă rugăm să citiți cu atenție înainte de a utiliza produsul și păstrați pentru referințe viitoare.

Pentru manualul electronic detaliat, vă rugăm să vizitați www.naveetech.com

- Acest aparat nu este destinat utilizării de către persoane (inclusiv copii) cu capacități fizice, senzoriale sau mentale reduse, sau lipsă de experiență și cunoștințe, decât dacă au primit supraveghere sau instrucțiuni privind utilizarea aparatului de către o persoană responsabilă pentru siguranța lor. Copiii ar trebui să fie supravegheați pentru a se asigura că nu se joacă cu produsul.
- Acest aparat poate fi utilizat de copii cu vârsta de 8 ani și peste și de persoane cu capacități fizice, senzoriale sau mentale reduse sau lipsă de experiență și cunoștințe, dacă au primit supraveghere sau instrucțiuni privind utilizarea aparatului într-un mod sigur și înțeleg pericolele implicate. Copiii nu trebuie să se joace cu aparatul. Curățarea și întreținerea utilizatorului nu trebuie efectuate de copii fără supraveghere.
- Produsul este conceput să fie încarcat doar cu alimentatorul furnizat în pachet.
- Înainte de a folosi, vă rugăm să purtați căști, protecții pentru mâini/incheieturi, protecții pentru genunchi, protecții pentru coate și alte echipamente de protecție în orice moment.
- Trotineta trebuie utilizată de o singură persoană. Este obligatoriu să purtați întotdeauna încălțăminte. Nu deviați utilizarea vehiculului. Acest produs este destinat utilizării personale și nu este destinat utilizării acrobatiche.
- Produsul este recomandat pentru utilizatorii cu vârsta de peste 16 ani și sub 50 de ani. Persoanele care nu sunt apte pentru utilizarea acestui produs includ: (1) Persoane aflate sub influența alcoolului sau a drogurilor. (2) Persoane care nu pot desfășura activitate fizică intensă din cauza unei boli sau afecțiuni medicale. (3) Persoane cu echilibru deficitar sau abilități motorii afectate. (4) Persoane a căror greutate depășește limita produsului. (5) Femei însărcinate. (6) Persoane cu deficiențe de vedere sau auz.
- Respectați legile și reglementările locale atunci când utilizați acest produs. Nu utilizați acolo unde este interzis de legile locale.
- În țările sau regiunile în care nu există în prezent standarde sau reglementări naționale privind trotinetele electrice, trebuie să urmați cu strictețe instrucțiunile de siguranță din acest manual atunci când utilizați produsul. Nerespectarea acestora poate reprezenta un risc pentru siguranța copiilor. SPACEWALKER PTE. LTD.nu va fi responsabilă, direct sau solidar, pentru vătămări corporale, daune materiale, accidente, litigii legale sau orice alte consecințe negative rezultate din utilizarea necorespunzătoare sau contrar instrucțiunilor din acest manual.
- Nu utilizați în benzi de trafic sau în zone rezidențiale unde sunt permise atât vehiculele, cât și pietonii. Când treceți printr-un loc destinat pietonilor care au dreptul de trecere conform legilor, cum ar fi trecerile de pietoni, vă rugăm să coborâți și să mergeți alături de trotinetă.
- Pregătirile necesare pentru utilizarea acestui produs includ: asigurarea că sistemul de direcție este corect reglat, că toate accesoriile conectate (cum ar fi sistemul de pliere) sunt bine strânse și nedeteriorate, și că frânele și roțile sunt în stare bună.
- Efectuați o inspecție de bază a scuterului electric înainte de fiecare plimbare. Dacă există condiții anormale, cum ar fi piese slăbite, alerte de baterie descărcată, anvelope plate sau uzură excesivă a anvelopelor, sunete ciudate, defecțiuni și alte condiții anormale, opriți imediat plimbarea și solicitați suport profesional.
- Ia-ți timp pentru a învăța elementele de bază ale practicii pentru a evita orice accident grav care poate avea loc în primele luni. Informații despre practică și utilizare în siguranță (pot fi găsite pe site-ul: www.naveetech.com)

- Asigurați-vă că aveți vizibilitate clară și că sunteți vizibil pentru ceilalți în timpul utilizării.
- Nu calatori în condiții meteorologice nefavorabile, vizibilitate scăzută sau după un efort fizic intens.
- Activează farul și încetinește viteza atunci când calatorești în întuneric.
- Asigurați-vă că suportul de sprijin este poziționat pe o suprafață plană și că trotineta electrică este suficient de stabilă pentru a sta singură înainte de a o lăsa.
- Această trotinetă electrică este un dispozitiv de agrement. Cu toate acestea, atunci când intrați într-o zonă publică, va fi considerată un mijloc de transport și supusă posibilelor riscuri de siguranță pentru toate mijloacele de transport. A se conduce strict conform instrucțiunilor din acest manual vă va proteja pe dumneavoastră și pe ceilalți în cea mai mare măsură.
- Utilizatorul ar trebui să verifice limitele de utilizare conform reglementărilor locale. Conduceți trotineta pe drumurile sau în zonele permise de reglementările și legile locale și parcați-o în zonele permise. Dacă reglementările și legile locale au dispoziții diferite privind viteza maximă, reglementările și legile locale vor prevala. Vă rugăm să respectați și să urmați regulile de siguranță rutieră și regulile vehiculelor.
- Respectați dreptul de trecere al pietonilor. Încearcați să nu-i speriați în timp ce conduceți, în special pe copii. Când treceți pe lângă pietoni, mențineți cea mai mică viteză sau coborâți de pe vehicul.
- În orice caz, anticipați-vă traiectoria și viteza respectând codul rutier, codul trotuarului și cele mai vulnerabile persoane. Anunțați-vă prezența atunci când vă apropiați de un pieton sau ciclist când nu sunteți văzuți sau auziți. Treceți pe la trecerile pietonale în timp ce mergeți pe langa trotineta. Evitați zonele cu trafic intens sau zonele supraaglomerate.
- Conducerea cu viteză mare sau cu o viteză care nu este adecvată pentru situație (condiții meteorologice nefavorabile, condiții de suprafață proaste sau similare) poate duce la o pierdere potențială de stabilitate sau de control. Pentru a reduce orice risc, trebuie să urmați toate instrucțiunile din acest manual. Fiți atenți când montați și demontați produsul, acesta poate cădea și provoca vătămări.
- Traficul din oraș are multe obstacole de trecut, cum ar fi borduri sau trepte. Se recomandă evitarea salturilor peste obstacole. Este important să anticipați și să adaptați traiectoria și viteza la cele ale unui pieton înainte de a traversa aceste obstacole. De asemenea, se recomandă să mergeți pe langa trotineta atunci când aceste obstacole devin periculoase din cauza formei, înălțimii sau alunecării.
- Nu împrumutați trotineta dvs. celor care nu cunosc operațiunile. Înainte de a împrumuta trotineta electrică altora, vă rugăm să vă asigurați că utilizatorul a citit acest manual de instrucțiuni și a vizionat videoclipul de instrucțiuni, și a înțeles operațiunile de bază. Amintiți-le utilizatorilor să poarte protecție de siguranță corect pentru a asigura siguranța acestora.
- Contactați-vă vânzătorul pentru organizații de formare adecvate.
- În toate cazurile, aveți grijă de dumneavoastră și de ceilalți.
- Orice încălcătură atașată la ghidon va afecta stabilitatea vehiculului.
- Nu atingeți sistemul de frânare, ar putea provoca răni din cauza marginilor ascuțite. Frâna poate deveni fierbinte în utilizare. Nu atingeți după utilizare.
- Nivelul de presiune sonoră emisă ponderat A este mai mic de 70 dB(A).
- Pentru o experiență de mers mai bună, se recomandă efectuarea unei întrețineri regulate a produsului.
- Eliminați orice margini ascuțite cauzate de utilizare.
- Accesoriile și orice articole suplimentare care nu sunt aprobate de fabricant nu trebuie utilizate.
- Întreținerea regulată a vehiculului este un factor de siguranță.

- Nucile auto-strângătoare, precum și celelalte elemente de fixare auto-strângătoare pot pierde eficiența și este posibil să fie necesar să fie strânse din nou.
- Verificați regulat strângerea diferitelor elemente boltate, în special axele roților, sistemul de pliere, sistemul de direcție și axa de frână.
- Nu modificați sau transformați trotineta, inclusiv tubul de direcție și manșonul, tijă, mecanismul de pliere și frâna din spate.
- Nu efectuați modificări care nu sunt menționate în instrucțiuni.
- Asigurați-vă că trotineta este oprită atunci când este transportată și păstrată în ambalajul său original, dacă este posibil.
- Pentru a evita accidentele, cum ar fi electrocutarea și incendiile cauzate de utilizarea necorespunzătoare, vă rugăm să citiți cu atenție instrucțiunile înainte de utilizare și să le păstrați corespunzător pentru referințe viitoare.
- Vă rugăm să utilizați acest produs conform instrucțiunilor din Manualul utilizatorului. Utilizatorii sunt responsabili pentru orice pierdere sau daune cauzate de utilizarea necorespunzătoare a acestui produs.
- Opriti vehiculul în timpul încărcării.
- Nu încărcăți dacă portul de încărcare sau cablul de încărcare este umed. Citiți cu atenție acest manual înainte de a încărca.
- Nu încărcăți scuterul la o temperatură ambientală mai mare de 40° C sau mai mică de 0° C.
- Vă rugăm să mențineți o distanță sigură atunci când scuterul circulă pe un drum drept/fără pantă. Distanța de frânare va crește în condiții de carosabil umed.
- Absorbția șocurilor acestui produs nu este ajustabilă.
- Aparatul nu este destinat utilizării la altitudini mai mari de 2000 m deasupra nivelului mării.
- Aparatul trebuie deconectat de la sursa de alimentare în timpul serviciului și când se înlocuiesc părțile.
- Cablul flexibil extern sau cordonul acestui transformator (încărcător) nu poate fi înlocuit; dacă cordonul este deteriorat, transformatorul (încărcătorul) trebuie să fie scos din uz.
- Dacă cablul flexibil extern sau cordonul acestui transformator este deteriorat, acesta trebuie înlocuit de către producător sau agentul său de service sau o persoană calificată similar pentru a evita un pericol.
- Dacă cablul de alimentare este deteriorat, acesta trebuie înlocuit de către producător, agentul său de service sau persoane calificate similar pentru a evita un pericol.
- Acest produs conține baterii care pot fi înlocuite doar de serviciul post-vânzare.
- Acest aparat conține baterii care pot fi înlocuite doar de persoane calificate.
- **ATENȚIE:** Pentru reîncărcarea bateriei, utilizați doar unitatea de alimentare detașabilă furnizată împreună cu acest aparat. Nu utilizați un încărcător de baterii de la niciun alt produs. Mențineți o distanță sigură față de materialele combustibile din jur în timpul încărcării, vehiculul trebuie să fie plasat într-o zonă bine ventilată.
- **ATENȚIE:** Nu utilizați nicio baterie sau încărcător de baterie de la terți. Utilizați doar cu unitatea de alimentare FY1505462450.
- **ATENȚIE!** Păstrați folia de plastic departe de copii pentru a evita sufocarea.
- **ATENȚIE!** Nu folosiți produsul aproape de o sursă de apă.

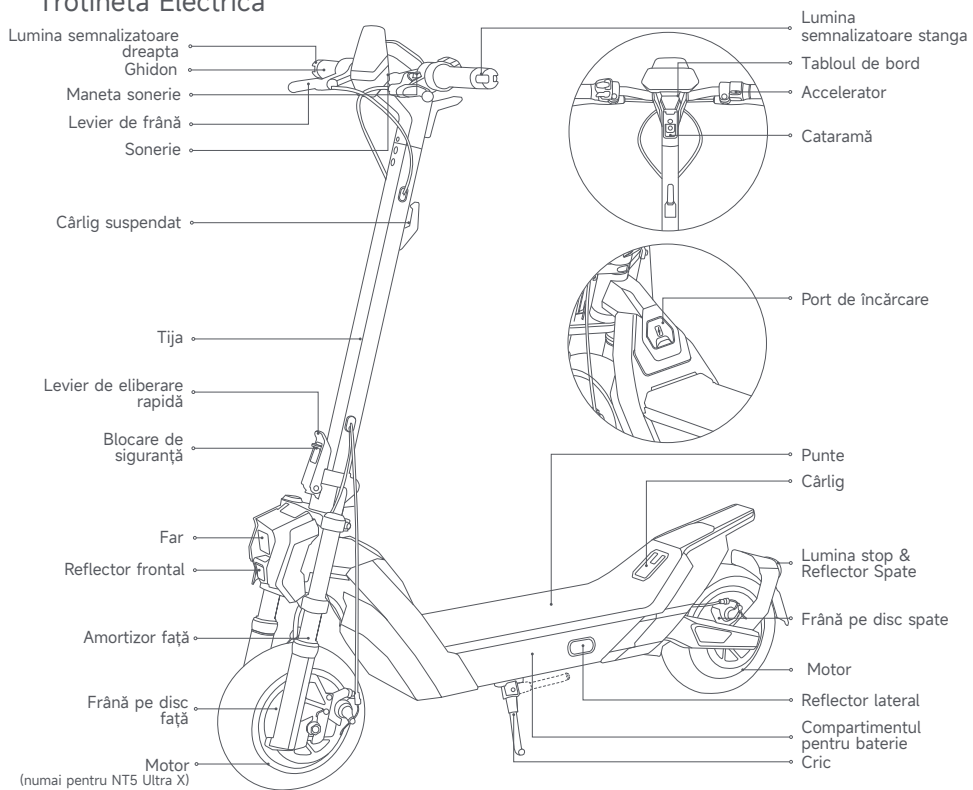
- **ATENȚIE!** Opriti utilizarea produsului când este deteriorat.
- **ATENȚIE!** Ca orice componentă mecanică, un vehicul este supus unor stresuri și uzuri mari. Materialele și componentele diferite pot reacționa diferit la uzură sau oboseală. Dacă durata de viață așteptată pentru o componentă a fost depășită, aceasta poate să se rupă brusc, riscând astfel să provoace răni utilizatorului. Crăpăturile, zgârieturile și decolorarea în zonele supuse unor stresuri mari indică faptul că componenta a depășit durata sa de viață, iar vă rugăm să contactați unitatea de vânzare.

Fiți atenți la pericolele de strivire și prindere a mâinilor în următoarele poziții în timpul utilizării:

1. Între ghidon și tijă atunci când instalați ghidonul.
2. Deschideri pe roți.
3. Între aripa din față și platformă.
4. Între levierul de eliberare rapidă și blocarea levierului de eliberare rapidă, și între articulația de pliere și tijă atunci când se pliază sau se desfășoară.
5. Între aripile de protecție și roți.

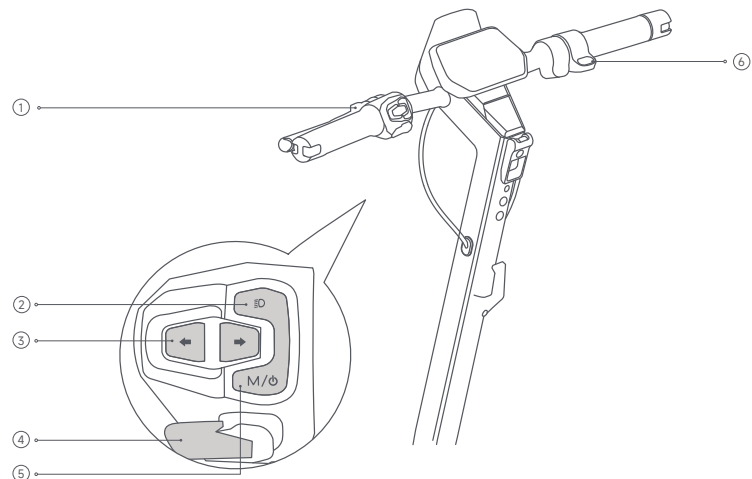
2. Prezentare generală a produsului

Trotineta Electrica

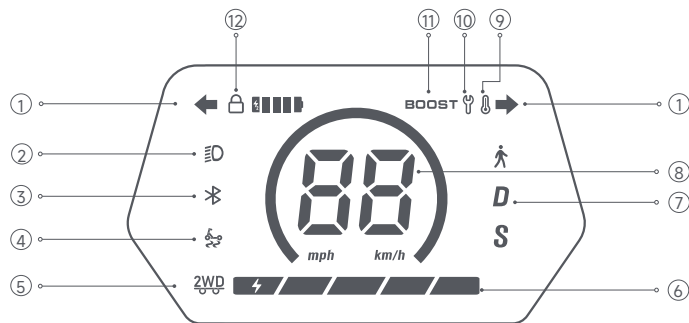


* Imaginile prezentate sunt doar pentru ilustrație. Produsul real poate varia.

Funcțiile butoanelor de pe ghidon



- 1 Levier claxon: Apăsați pentru a suna.
- 2 Buton lumină: Cu trotineta pornită, apăsați pentru a aprinde sau stinge farul și stopul.
- 3 Butoane semnalizare: Apăsați pentru a activa semnalul stânga/dreapta. Semnalul și indicatorul corespunzător de pe afișaj vor începe să clipească. Apăsați din nou pentru a opri.
- 4 Buton BOOST: Apăsați pentru a activa funcția BOOST (disponibilă doar în modul S), apoi apăsați din nou pentru a ieși.
Notă: Se recomandă utilizarea doar după ce utilizatorul a stăpânit controlul de bază.
- 5 Buton pornire / Schimbare mod: Apăsați pentru a porni. Țineți apăsat 2 secunde pentru a opri. Când este pornit, apăsați de două ori pentru a schimba modul de mers.
- 6 Accelerație: Apăsați pentru a accelera (funcționează dacă viteza inițială depășește 3 km/h).
Notă: Viteza de pornire poate fi ajustată din aplicația NAVEE.



- ① Semnalizare stânga/dreapta: Când pictograma clipește, indică faptul că semnalizatorul stânga/dreapta este activat.
- ② Lumină: Indică faptul că farul este aprins.
- ③ Bluetooth: Pictograma Bluetooth rămâne aprinsă atunci când trotineta este conectată cu succes la dispozitivul mobil.
- ④ TCS (Sistem de control al tracțiunii): Când este activată, funcția TCS ajută la prevenirea alunecării excesive a roților și îmbunătățește stabilitatea generală în timpul pornirii, accelerării sau virajelor. TCS poate fi activat sau dezactivat prin aplicația NAVEE.
- ⑤ Tracțiune pe două roți (doar pentru NT5 Ultra X): Indică faptul că modul de tracțiune pe două roți este activ. Țineți apăsat butonul BOOST timp de 3 secunde pentru a-l activa sau dezactiva, sau controlați-l prin aplicația NAVEE.
- ⑥ Nivelul bateriei: Nivelul bateriei este afișat prin 5 bare. Fiecare bară reprezintă aproximativ 20% dintr-o încărcare completă.
- ⑦ Moduri de conducere: indică Modul de mers — viteză maximă: 6 km/h. D indică Modul Standard. S indică Modul Sport.
- ⑧ Vitezometru: Afișează viteza curentă de deplasare. Afișează coduri de eroare când este detectată o defecțiune și nivelul bateriei în timpul încărcării.
- ⑨ Avertizare de temperatură: Pictograma termometrului se aprinde când temperatura bateriei este prea mare sau prea mică. Așteptați ca temperatura să revină în intervalul normal înainte de a utiliza sau încărca trotineta.
- ⑩ Indicator de eroare: O pictogramă fixă cu o cheie roșie indică o defecțiune în sistem.
- ⑪ Mod BOOST: Indică faptul că funcția de accelerație este activată.
- ⑫ Blocare: Această pictogramă se aprinde când trotineta este blocată. Puteți bloca sau debloca trotineta folosind aplicația NAVEE.

3.Întreținere și îngrijire

Curățare

Înainte de a curăța trotineta:

Oprii alimentarea. Deconectați cablul de încărcare. Asigurați-vă că capacul portului de încărcare este complet închis.

Pentru curățare:

Ștergeți trotineta cu o cârpă moale și umedă. Pentru murdăria persistentă, folosiți o perie moale (ex. o periută de dinți). Finalizați uscând toate suprafețele cu o cârpă curată și uscată.

Evitați următoarele:

- Utilizarea apei sub presiune mare (poate deteriora componentele interne).
- Utilizarea detergenților corozivi (pot deteriora piesele interne și externe).

Îngrijirea bateriei

Pentru a maximiza durata de viață a bateriei:

Evitați descărcarea completă. Încărcați-o regulat.

Mențineți întotdeauna temperaturile de utilizare, încărcare și depozitare în limitele specificate în fișa tehnică.

Dacă nu este utilizată o perioadă lungă, încărcați bateria la fiecare 60 de zile pentru a evita deteriorarea permanentă. O trotinetă complet încărcată poate rămâne în standby timp de aproximativ 120-180 de zile.

Avertismente pentru baterie:

- Utilizați doar încărcătorul și bateria originale furnizate cu trotineta.
- Nu utilizați niciodată baterii sau încărcătoare de la alt model sau marcă.
- Nu încărcați și nu utilizați trotineta dacă bateria este deteriorată sau a fost expusă la apă.
- Nu încercați să scoateți singur bateria — este necesară intervenția unui specialist.

Depozitare

Dacă depozitați trotineta pe termen lung:

Încărcați complet bateria. Opriti trotineta. Păstrați-o într-un loc răcoros și uscat, departe de soare și umezeală.

Folosiți ambalajul original pentru transport, dacă este disponibil.

Recomandări pentru depozitare:

- Țineți trotineta departe de materiale inflamabile.
- Evitați depozitarea în lumina directă a soarelui sau în medii foarte umede.
- Acest produs conține o baterie cu litiu. Respectați legislația locală privind transportul și depozitarea.

Notificare de Mediu

Scoterul conține un pachet de baterii litiu-ion reîncărcabile, iar eliminarea necorespunzătoare a acestor baterii va cauza daune mediului. Urmați pașii de mai jos pentru a îndepărta bateriile înainte de a elimina scooterul și aruncați bateriile în mod corespunzător:

- Înainte de a scoate bateria, asigurați-vă că trotineta este oprită și că bateria este complet descărcată. Deșurubați șuruburile care fixează componentele din plastic, cricul, capacul compartimentului bateriei și capacul controlerului, apoi îndepărtați cu grijă fiecare componentă.
- Deconectați conectorul bateriei, apoi îndepărtați bateriile. Nu deteriorați carcasa bateriei pentru a evita orice risc de accidentare. Nu utilizați bateria dacă este deteriorată, are un miros ciudat, emite fum sau se supraîncăzește. Păstrați o baterie care pierde departe de alte obiecte.
- Reciclați bateria coasă la un centru autorizat de reciclare a bateriilor.

Program de întreținere a scuterului (recomandat):

Întreținerea regulată a scuterului poate ajuta la menținerea acestuia curat și în stare bună, evitând pericolele de siguranță, minimizând defecțiunile, încetinind deteriorarea scuterului și extinzând durata de viață a acestuia.

Articol	Obiect de serviciu	Acțiuni	În fiecare lună	La fiecare 3 luni	La fiecare 500 km/6 luni	La fiecare 1000 km/1 an	La fiecare 10000 km/3 ani
Anvelope	Uzura anvelopei	Verificați dacă anvelopa este crăpată, deformată, uzată etc.			✓	✓	✓
Șuruburi	Șuruburi de asamblare a ghidonului	Strângeți șurubul acceleratorului (cu un cuplu recomandat de 4,5 ± 0,5 N·m).		✓	✓	✓	✓
		Tighten the accelerator screw (with the recommended torque of 2,5 ± 0,1 N·m).				✓	✓
	Etrier de frână cu disc	Strângeți șurubul manetei de frână (cu un cuplu recomandat de 5,5 ± 0,2 N·m).				✓	✓
		Strângeți șurubul care fixează etrierul frânei cu disc (cu un cuplu recomandat de 7,0 ± 0,5 N·m).			✓	✓	✓

Articol	Obiect de serviciu	Acțiuni	În fiecare lună	La fiecare 3 luni	La fiecare 500 km/6 luni	La fiecare 1000 km/1 an	La fiecare 10000 km/3 ani
Funcții	Ajustarea frânei	Înainte de a regla, pregătiți o cheie de 4 mm (pregătită de utilizator) și asigurați-vă că trotineta este oprită și nu se afla în stadiul de încărcare. În timpul reglării, trageți de capătul cablului de frână pentru a-l tensiona. Dacă frâna este prea strânsă, folosiți uneltele pentru a slăbi șurubul prin rotirea acestuia în sens invers acelor de ceasornic, trageți brațul etrierului de frână cu disc în exterior și apoi strângeți șurubul. Dacă frâna este prea slabă, folosiți uneltele pentru a slăbi șurubul prin rotirea acestuia în sens invers acelor de ceasornic, împingeți brațul etrierului de frână cu disc înainte și apoi strângeți șurubul.			✓	✓	✓
Componente importante	Încărcare	Încărcați trotineta la o temperatură adecvată. Indicatorul de pe încărcătorul de baterie este roșu când trotineta se încarcă și devine verde când trotineta este complet încărcată. Panoul de control va arăta simultan starea de încărcare în timpul încărcării.			✓	✓	✓
	Direcție	Întoarceți ghidonul cu 60° spre stânga și spre dreapta pentru a vă asigura că unghiul de virare este corect și direcția este liberă de rezistență și stagnare.				✓	✓
Componente importante	Asamblare baterie	Încărcați complet trotineta înainte de a o lăsa neutilizată pentru o perioadă lungă de timp și porniți-o pentru a o încărca la fiecare 30 de zile.					✓

Roțile, plăcuțele de frână și alte părți vulnerabile sunt uzate sau deteriorate și trebuie înlocuite, vă rugăm să contactați serviciul post-vânzare la timp.
Pentru a găsi un centru de service autorizat, vă rugăm să ne contactați la adresa service@navee.tech sau să vizitați <https://www.naveetech.com>.

4. Specificații

Produs	Nume	Trotinetă Electrică NAVEE				
	Model	NT5 Max EU	NT5 Max DE	NT5 Max IT	NT5 Max SE	NT5 Max AT
Dimensiuni	Vehicul: L × L × H (mm) ^[1]	1250 × 625 × 1355				
	După pliere: M × Π × Y (mm)	1250 × 625 × 645				
Greutate netă	Greutatea netă a vehiculului (kg)	33,5				
Utilizator	Interval de încărcare (kg)	25-150				
	Vârsta (ani)	16-50				
	Lungime caroserie (cm)	120-200				
Trotinetă electrică asamblată	Viteză maximă (km/h)	25	20	25	20	25
	Autonomie maximă (km) ^[2]	85				
	Autonomie la viteză maximă (km) ^[3]	53	75	53	75	53
	Capacitate maximă de cățărare (%)	28				
	Suprafețe adecvate	Drum din ciment sau asfaltat, cu bănci mai mici de 1 cm sau crăpături mai înguste de 3 cm				
	Temperatură în stare de funcționare (°C)	-10 până la 40				
	Temperatura de depozitare (°C)	-20 până la 45				
	Clasificare IP	IPX6				
	Timp de încărcare (h)	Aprox. 5-6				
	Pachet de baterie	Model	T2545-BD1A			
Tensiune nominală (VDC)		46,8				
Tensiune maximă de încărcare (VDC)		54,6				
Energie evaluată (Wh)		561,6				
Sistem inteligent de gestionare a bateriei		Protecție la supraîncălzire, scurtcircuit, supracurent, supradescărcare și supraîncălzire				
Interval normal al temperaturii de încărcare (°C)		Opână la 40				
Capacitate evaluată (Ah)		12				
Roată motor	Puterea evaluată a motorului (kW; W)	0,7; 700	0,5; 500	0,5; 500	0,25; 250	0,6; 600
	Model ^[4]	FY1505462450				
Încărcător de baterie	Putere de ieșire (kW; W)	0,133; 133,77				
	Tensiune de intrare (VAC)	100-240 V- 50/60 Hz				
	Ieșire nominală (VDC; A)	54,6 ; 2,45				
Anvelopă	Anvelope față și spate	Anvelope pentru toate tipurile de teren, 10,5", cu aderență ridicată				
Bluetooth	Benzi de frecvență (s)	2.4000 - 2.4835 GHz				
	Putere RF maximă (dBm)	8				

[1] Înălțimea vehiculului: de la sol până în partea superioară a trotinetei.

[2] Autonomie maximă: măsurată la 25 °C fără vânt, cu trotineta complet încărcată rulând constant cu 15 km/h pe o suprafață plană, cu o sarcină de 75 kg.

[3] Autonomie la viteză maximă: măsurată la 25 °C fără vânt, cu trotineta complet încărcată rulând la viteză maximă pe o suprafață plană, cu o sarcină de 75 kg.

[4] Pentru a încărca bateria, utilizați numai încărcătorul furnizat în pachet.

Produs	Nume	Trotinetă Electrică NAVEE				
	Model	NT5 Ultra X EU	NT5 Ultra X DE	NT5 Ultra X IT	NT5 Ultra X SE	NT5 Ultra X AT
Dimensiuni	Vehicul: L × L × H (mm) ^[1]	1250 × 625 × 1355				
	După pliere: M × Π × Y (mm)	1250 × 625 × 645				
Greutate netă	Greutatea netă a vehiculului (kg)	36,5				
Utilizator	Interval de încărcare (kg)	25-150				
	Vârsta (ani)	16-50				
Trotinetă electrică asamblată	Lungime caroserie (cm)	120-200				
	Viteză maximă (km/h)	25	20	20	20	25
	Autonomie maximă (km) ^[2]	90				
	Autonomie la viteză maximă (km) ^[3]	66	78	78	78	66
	Capacitate maximă de cățărare (%)	45				
	Suprafețe adecvate	Drum din ciment sau asfaltat, cu bănci mai mici de 1 cm sau crăpături mai înguste de 3 cm				
	Temperatură în stare de funcționare (°C)	-10 până la 40				
	Temperatura de depozitare (°C)	-20 până la 45				
	Clasificare IP	IPX6				
	Timp de încărcare (h)	Aprox. 7-8				
Pachet de baterie	Model	T2443-BD6A				
	Tensiune nominală (VDC)	46,8				
	Tensiune maximă de încărcare (VDC)	54,6				
	Energie evaluată (Wh)	898,56				
	Sistem inteligent de gestionare a bateriei	Protecție la supraîncălzire, scurtcircuit, supracurent, supradescărcare și supraîncălzire				
	Interval normal al temperaturii de încărcare (°C)	Opână la 40				
	Capacitate evaluată (Ah)	19,2				
Roată motor	Puterea evaluată a motorului (kW; W)	0,5 × 2; 500 × 2	0,25 × 2; 250 × 2	0,25 × 2; 250 × 2	0,125 × 2; 125 × 2	0,3 × 2; 300 × 2
	Model ^[4]	FY1505462450				
Încărcător de baterie	Putere de ieșire (kW; W)	0,133; 133,77				
	Tensiune de intrare (VAC)	100-240 V- 50/60 Hz				
	Ieșire nominală (VDC; A)	54,6 ; 2,45				
Anvelopă	Anvelope față și spate	Anvelope pentru toate tipurile de teren, 10,5", cu aderență ridicată				
Bluetooth	Benzi de frecvență (s)	2.4000 - 2.4835 GHz				
	Putere RF maximă (dBm)	8				

[1] Înălțimea vehiculului: de la sol până în partea superioară a trotinetei.

[2] Autonomie maximă: măsurată la 25 °C fără vânt, cu trotineta complet încărcată rulând constant cu 15 km/h pe o suprafață plană, cu o sarcină de 75 kg.

[3] Autonomie la viteză maximă: măsurată la 25 °C fără vânt, cu trotineta complet încărcată rulând la viteză maximă pe o suprafață plană, cu o sarcină de 75 kg.

[4] Pentru a încărca bateria, utilizați numai încărcătorul furnizat în pachet.

5. Certificare

Directiva privind restricționarea substanțelor periculoase (RoHS)

Acest produs SPACEWALKER PTE. LTD., cu părțile incluse (cabluri, cordoane etc.) respectă restricția utilizării anumitor substanțe periculoase în echipamentele electrice și electronice 2011/65/UE Anexa II și modificarea sa Directiva (UE) 2015/863.

Declarația de conformitate UE



Acest dispozitiv îndeplinește cerințele UE privind limitarea expunerii publicului general la câmpuri electromagnetice în scopul protecției sănătății. Acest dispozitiv îndeplinește cerințele UE privind limitarea expunerii publicului general la câmpuri electromagnetice în scopul protecției sănătății.

Prin prezenta, SPACEWALKER PTE. LTD. declară că tipul de echipament radio: [NT5 Max EU], [NT5 Max DE], [NT5 Max IT], [NT5 Max SE], [NT5 Max AT], [NT5 Ultra X EU], [NT5 Ultra X DE], [NT5 Ultra X IT], [NT5 Ultra X SE] și [NT5 Ultra X AT] sunt conforme cu Directiva 2014/53/UE și 2006/42/CE. Textul complet al declarației de conformitate UE este disponibil la următoarea adresă de internet: www.naveetech.com

Declarație de conformitate a Uniunii Europene

Informații despre reciclarea bateriilor pentru Uniunea Europeană



Bateriile sau ambalajele pentru baterii sunt etichetate în conformitate cu Regulamentul (UE) 2023/1542 privind bateriile, acumulatorii și deșeurile acestora. Directiva stabilește cadrul pentru returnarea și reciclarea bateriilor și acumulatorilor uzati, aplicabil în întreaga Uniune Europeană. Această etichetă este aplicată diferitelor baterii pentru a indica faptul că bateria nu trebuie aruncată, ci recuperată la sfârșitul vieții conform acestei Directive.

În conformitate cu Regulamentul (UE) 2023/1542, bateriile și acumulatorii sunt etichetate pentru a indica faptul că trebuie colectate separat și reciclate la sfârșit. Eticheta de pe baterie poate include, de asemenea, un simbol chimic pentru metalul relevant din baterie (Pb pentru plumb, Hg pentru mercur și Cd pentru cadmiu). Utilizatorii de baterii și acumulatori nu trebuie să elimine bateriile și acumulatorii ca deșeurii municipale nesortate, ci să utilizeze cadrul de colectare disponibil pentru clienți pentru returnarea, reciclarea și tratarea bateriilor și acumulatorilor. Participarea clienților este importantă pentru a minimiza orice efecte potențiale ale bateriilor și acumulatorilor asupra mediului și sănătății umane din cauza prezenței potențiale a substanțelor periculoase.

Înainte de a plasa echipamente electrice și electronice (EEE) în fluxul de colectare a deșeurilor sau în facilitățile de colectare a deșeurilor, utilizatorul final al echipamentului care conține baterii și/sau acumulatori trebuie să îndepărteze acele baterii și acumulatori pentru colectare separată.

Directiva privind deșeurile de echipamente electrice și electronice (DEEE)



Toate produsele care poartă acest simbol sunt echipamente electrice și electronice deșeurii (WEEE) conform directivei 2012/19/UE care nu trebuie amestecate cu deșeurile menajere nesortate. În schimb, ar trebui să protejați sănătatea umană și mediul înconjurător predând echipamentele deșeurii unui punct de colectare desemnat pentru reciclarea echipamentelor electrice și electronice deșeurii, numit de guvern sau autoritățile locale. Eliminarea și reciclarea corectă vor ajuta la prevenirea consecințelor negative potențiale asupra mediului și sănătății umane. Vă rugăm să contactați instalatorul sau autoritățile locale pentru mai multe informații despre locația, precum și termenii și condițiile acestor puncte de colectare.

Avertisment de siguranță



Pericol!
Citiți manualul utilizatorului înainte de utilizare.



AVERTISMENT
Numai pentru utilizare în interior
(pentru încărcător).



AVERTISMENT
Citiți cu atenție și păstrați pentru referințe viitoare.



AVERTISMENT
Aparat de clasă II



AVERTISMENT
Suprafață fierbinte



AVERTISMENT
Margini ascuțite



Nu expuneți la umiditate



≤ 5000m

Încărcătorul este destinat utilizării la altitudini de până la 5000m.



Lumină



Lumina semnalizatoare



SMPS care încorporează un transformator de izolare de siguranță rezistent la scurtcircuit (în mod inerent sau non-inerent)



Curent continuu



SMPS (unitate de alimentare cu comutare)



Curent alternativ



Fusibil miniatural cu întârziere în timp, unde X este simbolul caracteristicii timp/curent conform IEC 60127



Polaritatea ieșirii încărcătorului, centru pozitiv

Încărcător de baterii

AVERTISMENT

1. Încărcătorul este conceput doar pentru utilizare în interior. Nu-l expuneți la ploaie sau zăpadă.
2. Nu utilizați pentru baterii nereîncărcabile, deoarece acestea se pot supraîncălzi și se pot sparge.
3. Utilizarea greșită a altor tipuri de baterii poate provoca explozia, cauzând vătămări personale și daune.
4. Nu incinerati, dezasamblați sau scurtcircuitați bateriile.
5. Dacă performanța bateriilor scade substanțial, este timpul să înlocuiți bateriile în unitatea post-vanzare
6. Păstrați încărcătorul într-un loc răcoros și uscat atunci când nu este utilizat.
7. Gaze explozive. Preveniți flăcările și scânteile. Asigurați o ventilație adecvată în timpul încărcării.
8. În timpul încărcării, trotineta trebuie plasată într-o zonă bine ventilată.
9. Țineți trotineta electrica departe de copii sau persoane infirmii. Nu le permiteți să folosească trotineta fără supraveghere.
10. Acest aparat nu este destinat utilizării de către persoane (inclusiv copii) cu capacități fizice, senzoriale sau mentale reduse, sau lipsă de experiență și cunoștințe, decât dacă au fost supravegheați sau instruiți cu privire la utilizarea aparatului de către o persoană responsabilă pentru siguranța lor.
11. Acest aparat poate fi utilizat de copii cu vârsta de 16 ani și peste și de persoane cu capacități fizice, senzoriale sau mentale reduse sau lipsă de experiență și cunoștințe, dacă au fost supravegheați sau instruiți cu privire la utilizarea aparatului într-un mod sigur și înțeleg riscurile implicate. Copiii nu trebuie să se joace cu aparatul. Curățarea și întreținerea produsului nu trebuie efectuate de copii fără supraveghere.
12. Cablu flexibil extern sau cordonul acestui transformator nu poate fi înlocuit; dacă cordonul este deteriorat, transformatorul trebuie să fie casat în unitatea post-vanzare
13. Dacă cablul de alimentare este deteriorat, acesta trebuie înlocuit cu un cablu sau un ansamblu special disponibil de la fabricant sau agentul său de service.

Instrucțiuni de încărcare

1. Conectați încărcătorul direct la o sursă de alimentare. Nu folosiți niciodată prelungitoare.
2. Încărcătorul poate încărca doar bateria Lithium-ion.
3. Evitați încărcarea inversă.
4. Încărcătoarele nu sunt destinate pentru a încărca bateriile de automobile sau orice alte baterii de la alte produse.

 detachable power supply part

Pachet de baterii

AVERTISMENT

1. Nu demontați, deschideți sau tocați celulele sau bateriile secundare.
2. Nu expuneți celulele sau bateriile la căldură sau foc. Evitați depozitarea în lumina directă a soarelui.
3. Nu scurtcircuitați un acumulator sau o baterie. Nu stocați acumulatori sau baterii în mod aleator într-o cutie sau sertar unde ar putea să se scurtcircuiteze între ele sau să fie scurtcircuitate de alte obiecte metalice.
4. Nu supuneți acumulatorii sau bateriile la șocuri mecanice.
5. În cazul în care un acumulator curge, nu permiteți lichidului să vină în contact cu pielea sau ochii. Dacă a avut loc contactul, spălați zona afectată cu cantități mari de apă și solicitați sfatul medical.
6. Nu utilizați niciun încărcător altul decât cel specific furnizat pentru utilizarea cu echipamentul.
7. Nu folosiți nicio celulă sau baterie care nu este proiectată pentru utilizare cu echipamentul.
8. Nu amesteca celule de diferite mărci, capacități, dimensiuni sau tip într-un dispozitiv.
9. Nu lăsați o baterie pe încărcare prelungită atunci când nu este utilizată.
10. Păstrați instrucțiunile de utilizare originale ale produsului pentru referințe viitoare.

Rezumatul garanției

Acest produs include o garanție limitată care acoperă defectele de fabricație pentru o perioadă specificată de la data achiziției. Condițiile, durata și disponibilitatea serviciului de garanție pot varia în funcție de țară sau regiune. Garanția nu acoperă daune cauzate de utilizare necorespunzătoare, accidente sau reparații neautorizate. Pentru detalii complete și suport local, vă rugăm să vizitați <https://service.naveetech.com>.

- * The illustrations in this manual are for reference only, the actual appearance shall be subject to actual product.
- * Les illustrations de ce manuel sont fournies à titre de référence uniquement, le produit reçu fait foi.
- * Die Abbildungen in diesem Handbuch dienen nur als Referenz, das tatsächliche Aussehen ist abhängig vom jeweiligen Produkt.
- * Le illustrazioni in questo manuale sono solo di riferimento, l'aspetto reale è soggetto al prodotto reale.
- * Las ilustraciones de este manual son sólo de referencia, la apariencia real estará sujeta al producto real.
- * As ilustrações neste manual são apenas para referência, a aparência real deve ser sujeita ao produto real.
- * Ilustracje w niniejszej instrukcji mają charakter poglądowy, a ich rzeczywisty wygląd zależy od konkretnego produktu.
- * De illustraties in deze handleiding dienen alleen ter referentie, het daadwerkelijke uiterlijk is afhankelijk van het daadwerkelijke product.
- * Illustrationerna i denna användarmanual är endast för referens, det faktiska utseendet är beroende av den faktiska produkten.
- * Tämän käyttöoppaan kuvat ovat vain viitteellisiä, todellinen ulkonäkö riippuu varsinaisesta tuotteesta.
- * Illustrasjonene i denne håndboken er kun til referanse, det faktiske utseendet skal være gjenstand for faktisk produkt.
- * Illustrationerne i denne manual er kun til reference, det faktiske udseende afhænger af det faktiske produkt.
- * Илюстрациите в това ръководство са само за справка, действителният вид ще бъде в зависимост от действителния продукт.
- * A jelen kézikönyvben található illusztrációk csak referenciaként szolgálnak, a tényleges megjelenés a tényleges terméktől függ.
- * Οι εικονογραφήσεις σε αυτό το εγχειρίδιο είναι μόνο για αναφορά, η πραγματική εμφάνιση θα υπόκειται στο πραγματικό προϊόν.
- * Ilustrațiile din acest manual sunt doar pentru referință, aspectul real va fi supus produsului efectiv.



For more information & after-sales support, contact us via service@navee.tech/www.naveeetech.com
 Manufactured by: SPACEWALKER PTE. LTD.
 Address: 60 PAYA LEBAR ROAD #07-54 PAYA LEBAR SQUARE SINGAPORE (409051)
 E-mail: service@navee.tech
 Made in China

Original instructions
 Traduction de la notice originale
 40150500010277-EU