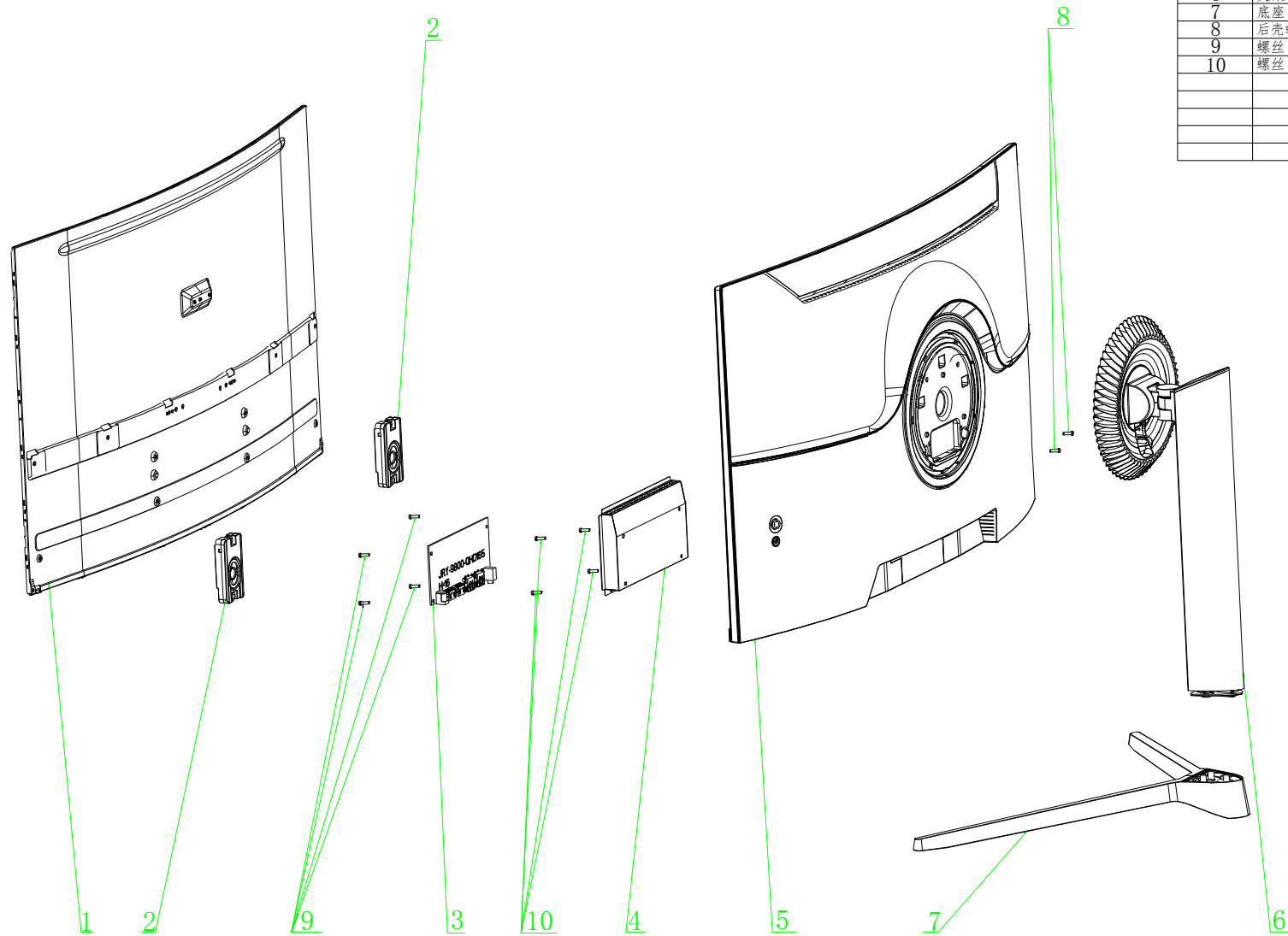



A
B
C
D
E
F
G
H

1 2 3 4 5 6 7 8 9 10 11 12

| NO. | M-NAME | DESCRIPTION |
|-----|--------------------|-------------|
| 1 | 屏模组 Screen Module | |
| 2 | 喇叭 Loudspeaker | |
| 3 | 主板 Mainboard | |
| 4 | 屏蔽罩 Shielding case | |
| 5 | 后壳 Back cover | |
| 6 | 支架 Stand | |
| 7 | 底座 Base | |
| 8 | 后壳螺丝 Back Screw | |
| 9 | 螺丝(主板) Screw | |
| 10 | 螺丝(屏蔽罩) Screw | |
| | | |
| | | |
| | | |
| | | |



| UNSPECIFIED TOLERANCE (mm) (未注公差) | | |
|--------------------------------------|--------|-------|
| GRADE (尺寸范围) | A | B |
| 0<L≤10 | ±0.05 | ±0.08 |
| 10<L≤60 | ±0.10 | ±0.15 |
| 60<L≤120 | ±0.15 | ±0.20 |
| 120<L≤250 | ±0.20 | ±0.25 |
| ANGLE (角度公差) | ±1.00° | |
| OTHER TOLERANCE (其它公差) | | |

| | | | |
|--|---------------|---------------|------------|
|  彩迅工业(中山)有限公司 Express LUCK Industrial LTD | | MODEL (机型) | |
| | | APPR. (核准) | |
| TITLE (零件名称) | 32C3 爆炸图 | UNIT (单位) | mm |
| MATERIAL (零件材质) | | SCALE (比例) | 1:1 |
| FINISH (表面处理) | | DATE (日期) | 2025-06-14 |
| DWG NO (图面编号) | | REV (版本) | 0 |
| PART NO (物料编号) | | SHEET 1 OF 1 | |
| ADAPTABLE PART NO. (更改前料号) | COLOR (颜色) | A4 | |

1 2 3 4 5 6 7 8 9 10 11 12