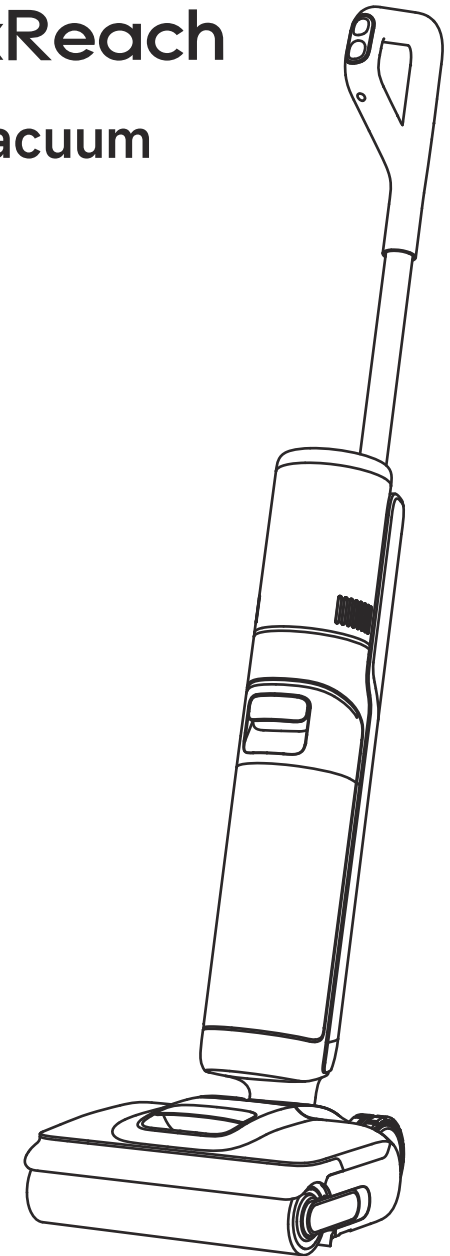


# H12 Pro FlexReach

## Wet and Dry Vacuum



Website: <https://global.dreametech.com>  
Manufactured by: Dreame Trading (Tianjin) Co., Ltd.  
Made in China

EU-A00



## User Manual

The illustrations in this manual are for reference only.  
Please refer to the actual product.

**DREAME**

# THANK YOU

FOR PURCHASING THIS DREAME  
WET AND DRY VACUUM.

---

## Registration Quick Start

Welcome to register a Dreame account by scanning the QR code. You are available for the User Manual and Special Offers.



---

The high-quality product is engineered for optimal performance.  
If you have any questions on the product, please contact us:  
[aftersales@dreame.tech](mailto:aftersales@dreame.tech).

---

## Contents

<b>EN</b>	User Manual	01
<b>DE</b>	Benutzerhandbuch	20
<b>FR</b>	Mode d'emploi	39
<b>IT</b>	Manuale d'uso	58
<b>ES</b>	Manual de usuario	77
<b>NL</b>	Gebruikershandleiding	96
<b>PT</b>	Manual do utilizador	115



Please scan the QR code for the User Manual.

# Important Safety Instructions

Please read this manual carefully before use and retain it for future reference.

When using an electrical appliance, basic precautions should always be followed, including the following:

**READ ALL INSTRUCTIONS BEFORE USING (THIS APPLIANCE).** Failure to follow the warnings and instructions may result in electric shock, fire and/or serious injury.

**WARNING** — To reduce the risk of fire, electric shock, or injury:

## Usage Restrictions

- This appliance should not be used by children younger than 8 years old nor persons with physical, sensory, intellectual deficiencies, or limited experience or knowledge without the supervision of a parent or guardian to ensure safe operation and to avoid any risks. Cleaning and maintenance shall not be performed by children without supervision.
- Plastic film can be dangerous. To avoid the danger of suffocation, keep it away from children. Children shall not play with the appliance.
- Use indoors only, on non-carpeted floor surfaces such as vinyl, tile, sealed wood, etc. Be careful not to run over loose objects or the edges of area rugs. Stalling the brush may result in premature belt failure.
- Use only as described in this user guide. Use only manufacturer's recommended attachments.
- Do not expose the appliance to fire or excessive temperature. Exposure to fire or excessive temperature may cause an explosion.
- Do not use in extremely hot or cold environments (below 5°C/41°F or above 40°C/104°F). Please charge the appliance in temperature above 5°C/41°F and below 40°C/104°F.
- Do not immerse the appliance in liquid.
- Do not use to pick up flammable or combustible liquids, such as gasoline. Do not use in areas where flammable or combustible liquids may be present.
- Do not put any object into openings. Do not use the appliance when any opening is blocked. Keep free of dust, lint, hair, and anything that may inhibit air flow.
- Do not pick up toxic material (chlorine bleach, ammonia, drain cleaner, etc.). Do not pick up hard or sharp objects such as glass, nails, screws, coins, etc.
- Do not use the appliance in an enclosed space filled with vapor given off by oil-based paint, paint thinner, some moth-proofing substances, flammable dust, or other explosive or toxic vapour. Do not pick up anything that is burning or smoking, such as cigarettes, matches or hot ashes.
- Do not use the appliance without filters in place.
- Keep hair, loose clothing, fingers, and all parts of the body away from openings and moving parts of the appliance and its accessories.
- Keep ground cables away from the appliance when using it. A hazard may occur if the appliance runs over a supply cord.
- Use extra care when cleaning on stairs.

# Important Safety Instructions

## Maintenance and Storage

- Prevent unintentional starting. Ensure the switch is in the OFF-position before picking up or carrying the appliance. Carrying the appliance with your finger on the switch or turning on the appliance may result in an accident.
- Ensure that the appliance is placed on a horizontal surface. Do not use the appliance at the same position if the appliance is equipped with a brush roller and the handle is not completely upright. Do not store the appliance in a place where it may freeze.
- Switch off and unplug the appliance when not in use, before cleaning, maintaining or servicing it, and before connecting or disconnecting it with a moving brush.
- Do not use an appliance that is damaged or modified. A damaged or modified appliance may exhibit unpredictable behavior resulting in fire, explosion, or risk of injury.
- Do not modify or attempt to repair the appliance except as indicated in the instructions for use and care.
- Do not use the appliance with a damaged attachment (eg: charging base, supply cord etc.). If the appliance or attachment has been dropped, damaged, left outdoors, dropped into water, or is not working as it should, never attempt to operate it. Please have it repaired at an authorized service center.
- Have servicing performed by a qualified repair person using only identical replacement parts. This will ensure that the safety of the appliance is maintained.
- If the supply cord is damaged, it must be replaced by the manufacturer, its service agent or similarly qualified persons in order to avoid a hazard.

## Battery and Charging

- For the purpose of recharging the appliance, only use the charging base provided with this appliance. Use only with HCBAB charging base.
- Follow all charging instructions and do not charge the appliance outside of the temperature range specified in the battery as doing so increases the risk of fire.
- Charging base is equipped with drying function and only suitable for drying this appliance's brush.
- Keep the charging base cable away from heated surfaces. Do not handle the charging base plug or appliance with wet hands. To unplug, grasp the charging base plug, rather than the cable.
- Do not pull or carry charging base by cable, use cable as a handle, close door on cable, or pull cable around sharp edges or corners.
- Do not use any non-rechargeable battery pack. Failing to do so may cause the lithium-ion battery to catch fire. This appliance contains batteries that can only be replaced by qualified technicians or after-sales service.
- The lithium-ion battery pack contains substances that are hazardous to the environment. Before disposing of the appliance, please first remove the battery pack, then discard, or recycle it in accordance with local laws and regulations of the country or region it is used in.

# Important Safety Instructions

- The appliance must be disconnected from the power supply when removing the battery. Keep batteries out of the reach of children. Never put batteries in mouth. If swallowed, contact your physician or local poison control.
- Under abusive conditions, never contact the battery from which the liquid may be ejected. If contact accidentally occurs, rinse with water. If liquid contacts eyes, seek medical help immediately. Liquid ejected from the battery may cause irritation or burns.
- The charging base is capable of charging the 6-cell 4000 mAh battery pack. This charging base should not be used to charge non-rechargeable batteries. Failing to do so may cause the lithium-ion battery to catch fire.

## Symbols



Class II equipment



Time-lag miniature fuse-link where T 3.15A is the symbol for the time/current characteristic



For indoor use only



Read operator's manual



Caution: Hot Surface



WEEE Information

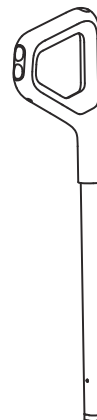
All products bearing this symbol are waste electrical and electronic equipment (WEEE as in directive 2012/19/EU) which should not be mixed with unsorted household waste. Instead, you should protect human health and the environment by handing over your waste equipment to a designated collection point for the recycling of waste electrical and electronic equipment, appointed by the government or local authorities. Correct disposal and recycling will help prevent potential negative consequences to the environment and human health. Please contact the installer or local authorities for more information about the location as well as terms and conditions of such collection points.

We, Dreame Trading (Tianjin) Co., Ltd., hereby declares that this equipment is in compliance with the applicable Directives, European Norms, and amendments. The full text of the EU declaration of conformity is available at the following internet address: <https://global.dreameotech.com>

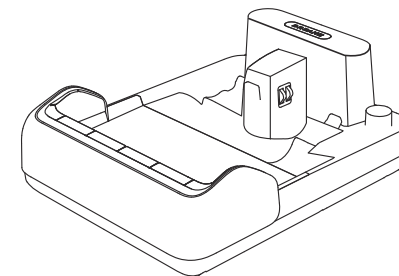
For detailed e-manual, please go to <https://global.dreameotech.com/pages/user-manuals-and-faqs>

# Product Overview

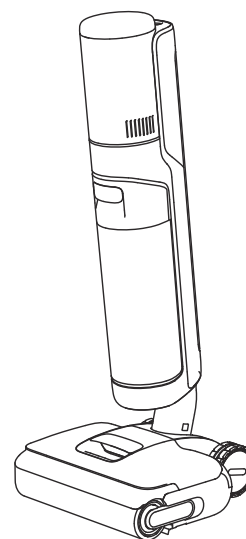
## Packing List



Handle



Charging Base



Main Body



Spare Roller Brush

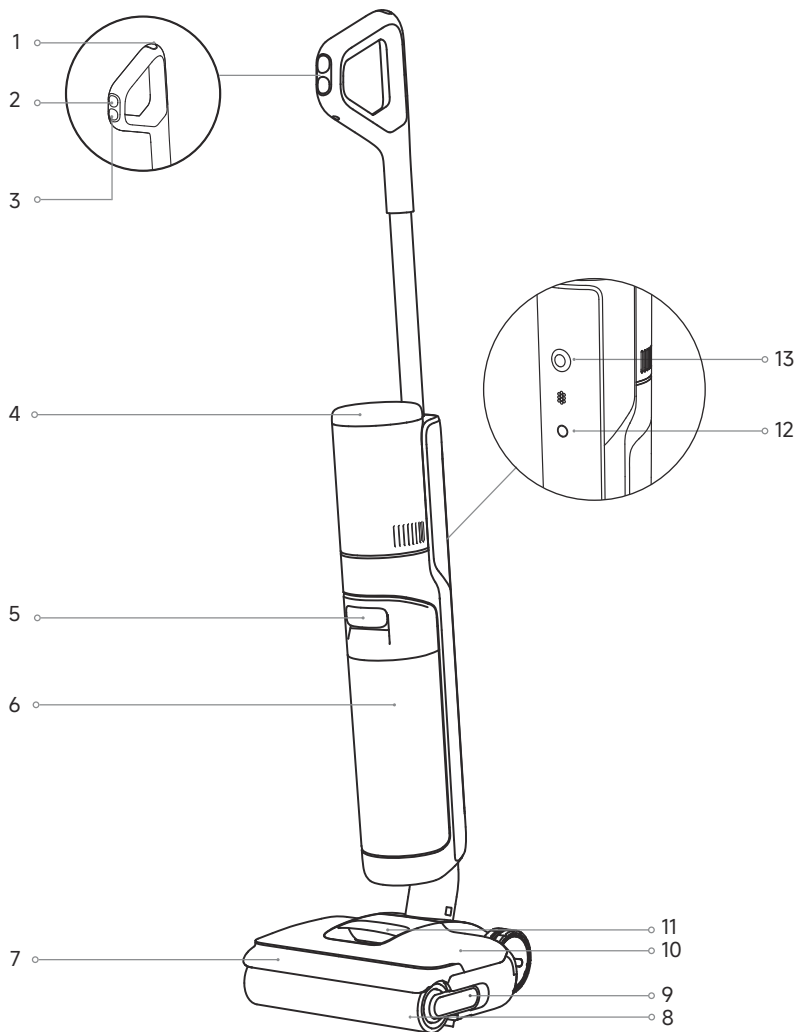


Cleaning Brush



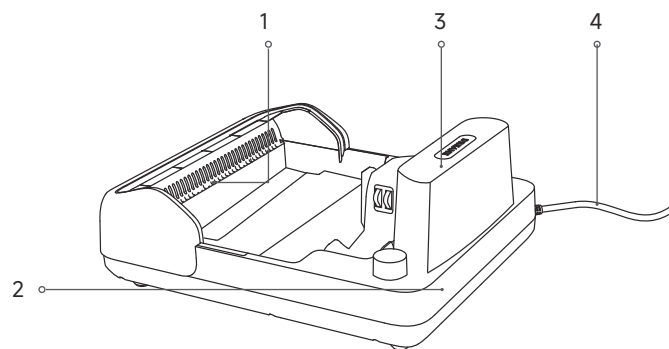
Replacement Filter

Vacuum



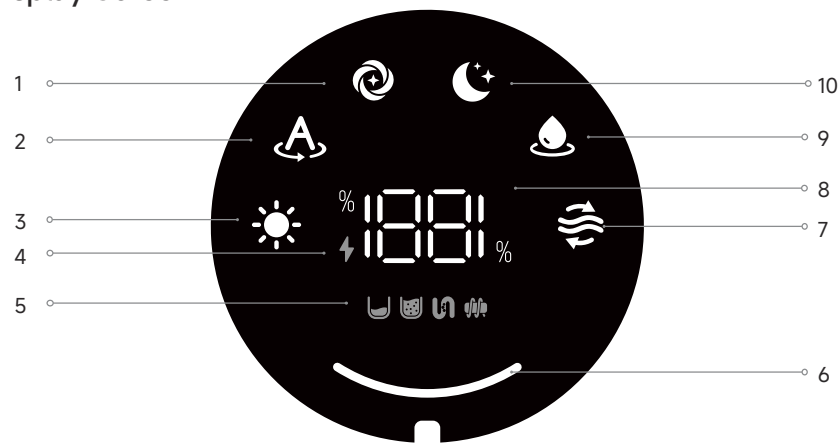
- 1 Self-Cleaning Button
- 2 Mode Switch
- 3 Power Switch
- 4 Display Screen
- 5 Used Water Tank Handle
- 6 Used Water Tank
- 7 Roller Brush Cover
- 8 Roller Brush
- 9 Roller Brush Handle
- 10 Clean Water Tank
- 11 Clean Water Tank Handle
- 12 Voice Prompt Button
  - Press briefly to activate the voice prompt or adjust the volume
  - Press and hold for 3 seconds to switch between languages
- 13 Omnidirectional Wheel

Charging Base



- 1 Air-Drying Outlet
- 2 Accessory Storage Slot
- 3 Charging Contacts
- 4 Power Cord

Display Screen



- 1 Turbo Mode
- 2 Smart Mode
- 3 Drying Mode
- 4 Charging Indicator
- 5 Error Messages
  - ☹ Insufficient clean water
  - 🚰 Used water tank full
  - 🚫 Tube clogged
  - 🌀 Roller brush stuck
  - 🚫🌀 Roller brush and tube dirty
- 6 Dust Concentration & Self-Cleaning/Drying Progress
- 7 Self-Cleaning Mode
- 8 Battery Indicator
  - Solid Orange: Battery level ≤ 20%
  - Off: Battery level > 20%
- 9 Suction Mode
- 10 Quiet Mode

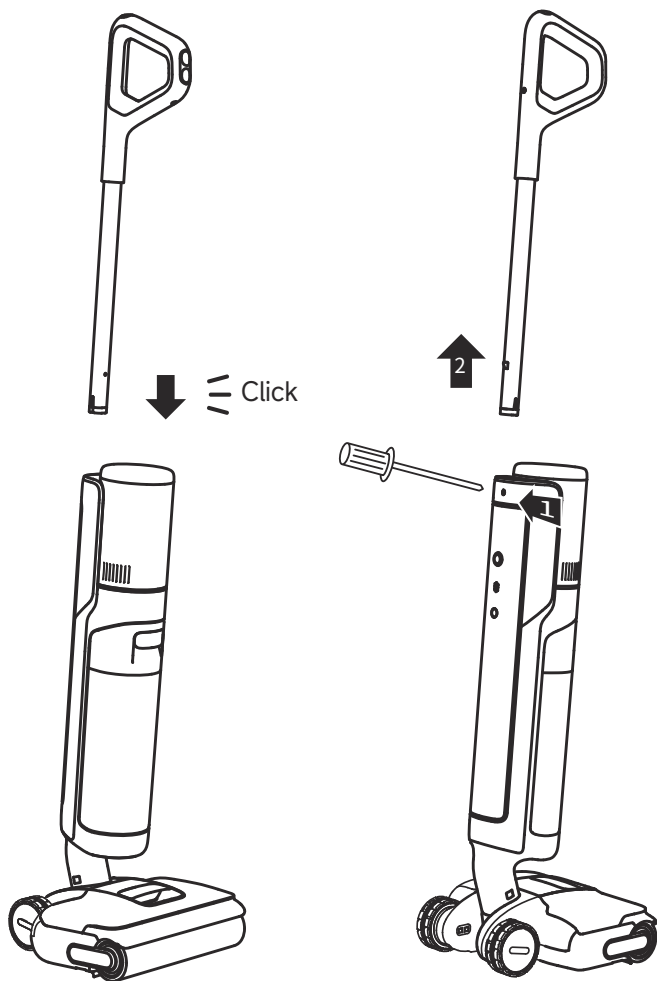
Note:

- The display screen will show an error message if the appliance is not working properly. Please refer to the Error Prompts and Solutions table to find your solution.
- For reference only. The actual appearance and display screen of the product shall prevail.

# Installation

## Install the Handle

Insert the end of the handle vertically into the slot on the top of the appliance as indicated until you hear a click.



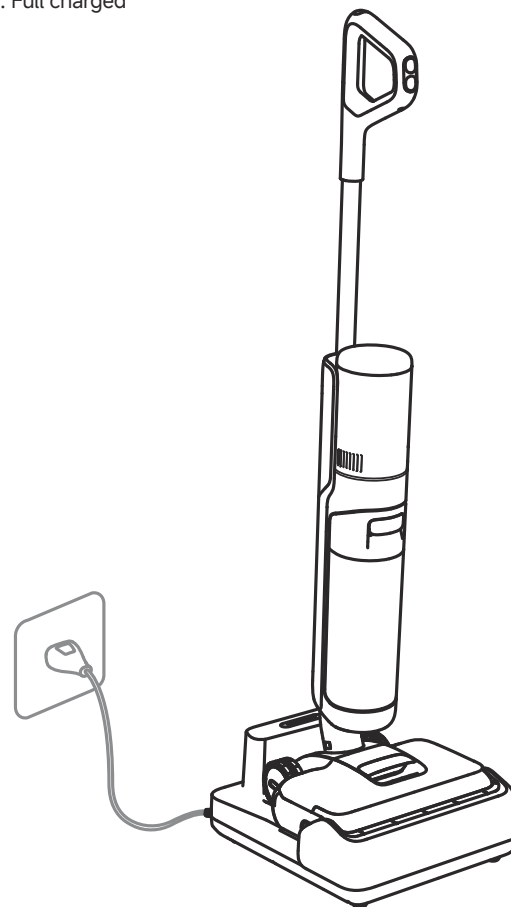
Note: To disassemble, extend a hard object into the hole of the appliance as indicated to press the contacts and pull the handle upward at the same time.

# Charging

1. Place the charging base against a wall on level ground and connect it to a power source. Fully charge the appliance before first use.
2. Place the appliance on the charging base. When the number on the display screen reaches 100, the battery is fully charged.

### ⚡ Charging/Low Battery Indicator

- Orange Breathing: Battery level  $\leq$  20% (charging)
- Green Breathing: Battery level  $>$  20% (charging)
- Solid Green: Full charged



### Note:

- If there is no operation within 10 minutes of being fully charged, the appliance will enter sleep mode. Please restart the appliance when you need to use it again.
- To prolong its life, the battery will automatically cool down (for approximately 1 hour) before recharging after the product has been running continuously for a long time. (cooling time is about 1 hour).

# How to Use

## Switch Modes

Press  to switch modes based on your needs.



**Turbo Mode**  
Maximum suction power and increased water flow for stubborn stains on hard floors.



**Smart Mode**  
The appliance will detect the stain level and intelligently adjust the suction power and water flow accordingly.



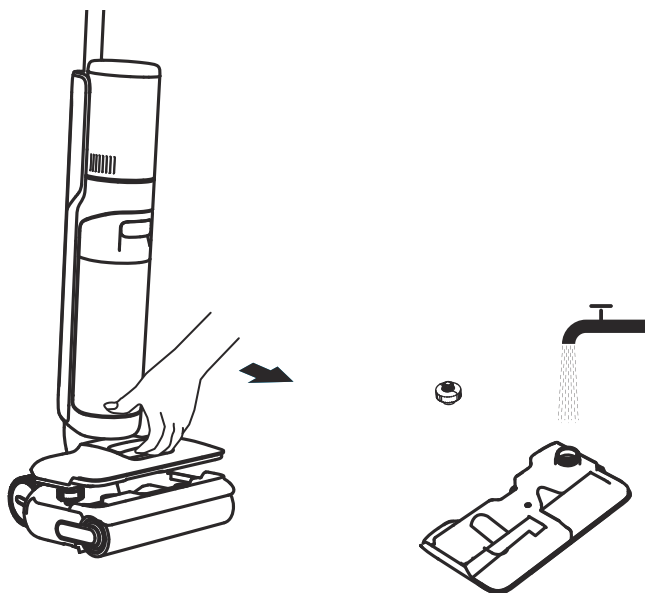
**Quiet Mode**  
The appliance will maintain moderate suction power at a low noise level.



**Suction Mode**  
Dry vacuum only without water dispensing.



## Fill the Clean Water Tank

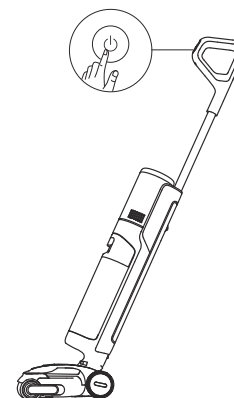
Remove the clean water tank. Open the tank cover and fill the tank with sufficient clean water. Re-install the tank and ensure it clicks into place.



# How to Use

## Start Cleaning

Gently step on the brush cover and recline the appliance backward. Press  to start cleaning. Press  to switch modes based on your needs.

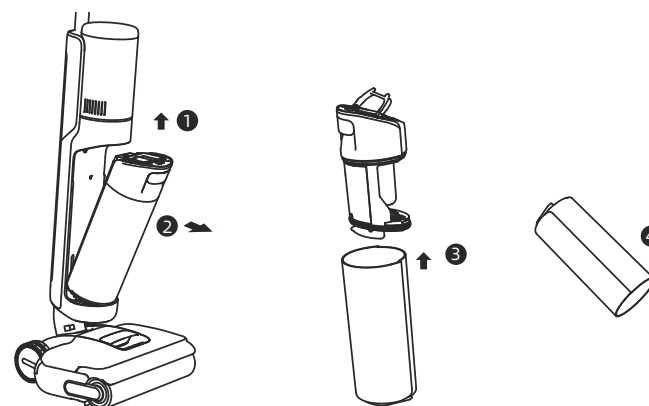


### Note:



- Do not vacuum any foamy liquids.
- If the appliance is in the upright position while working, the current task will be suspended.
- The appliance is only suitable for cleaning hard surfaces such as wood floors, marble, and tiles.
- Please press the brush against the floor when using.
- While the appliance is in operation, do not lift, move, lay it flat, or tilt it to avoid dirty water flowing into the motor.

## Empty the Used Water Tank

Pull the tank handle to take out the used water tank. Remove the tank cover and pour out the used water. Re-install the tank and ensure it clicks into place.

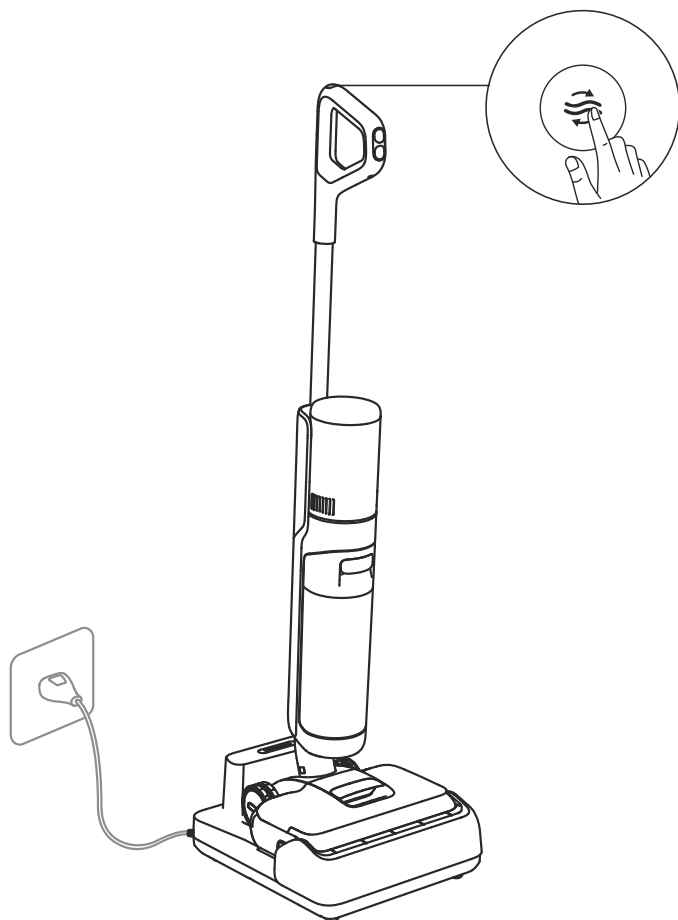


## Self-Cleaning Mode

1. After cleaning, promptly return the appliance to the base and ensure the clean water tank is sufficiently filled.
2. Briefly press  on the top of the handle to start/stop self-cleaning. Switch the drying mode according to the voice prompts.
3. After self-cleaning is complete, the appliance will automatically enter drying mode; please promptly empty the used water tank. To exit drying mode, press .

## Drying Mode

1. Press and hold the self-cleaning button  for 3 seconds to activate drying mode.
2. The appliance will be charged once drying is completed.



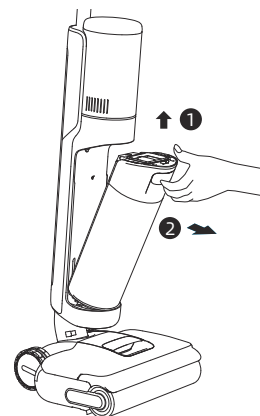
**Note:** Self-cleaning can be enabled only when the appliance is being charged and the battery level is more than 20%.

## Tips

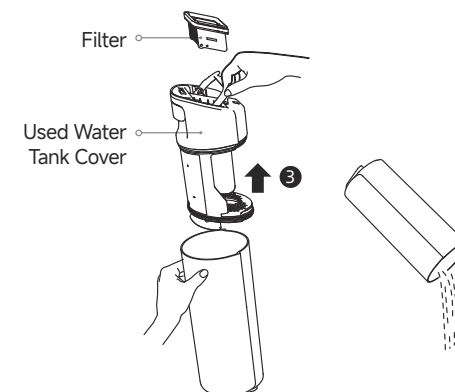
- Turn off the appliance before maintenance. Be careful not to accidentally press the power button.
- Replace parts if needed. The parts must be replaced by those available from the manufacturer or its service agent.
- If the appliance is unused for an extended period, fully charge it, disconnect the power plug, and store it in a cool, dry place away from direct sunlight. Charge the appliance at least once every 3 months to prevent the battery from over-discharging.

## Clean the Used Water Tank

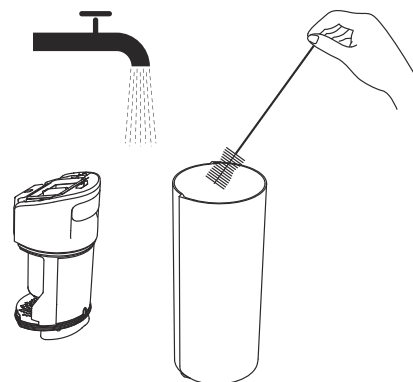
1. Pull the tank handle to remove the used water tank.



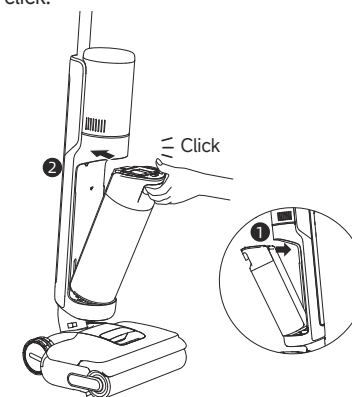
2. Remove the filter from the tank cover. Lift the cover and pour out the used water.



3. Rinse the tank and tank cover with clean water. Use the provided cleaning brush to scrub the inner walls of the tank.



4. Re-install the filter and tank cover. Then, re-install the used water tank until you hear a click.

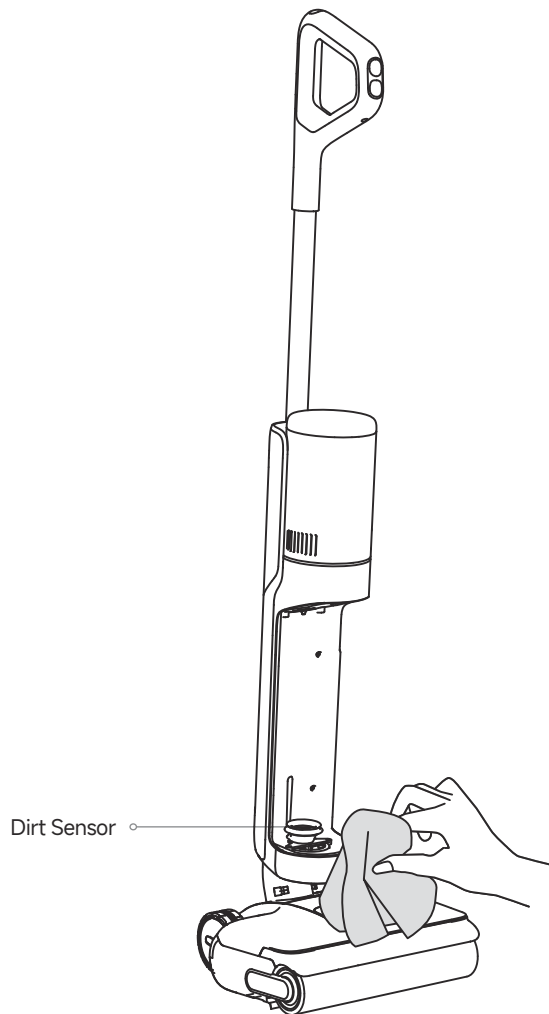


## Note:

- If the filter is dirty, rinse it with clean water and dry it completely before use.
- Replacing the filter every 3 to 6 months is recommended.

### Clean the Tube and the Dirt Sensor

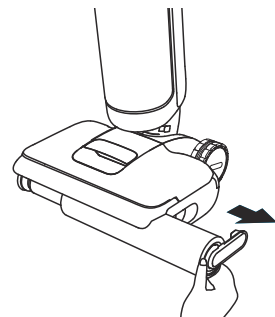
Remove the used water tank and gently wipe the tube and the dirt sensor with a wet cloth.



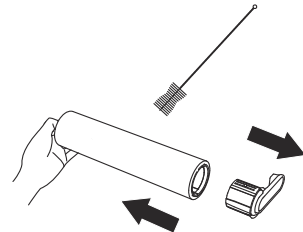
Note: Do not rinse the tube or the dirt sensor with water.

### Clean the Brush Assembly

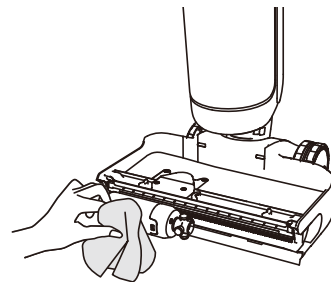
1. Pull the handle to remove the roller brush.



3. Replacing the roller brush every 3 to 6 months is recommended. Remove the roller brush handle to replace it with a new roller brush, and press it firmly into place.



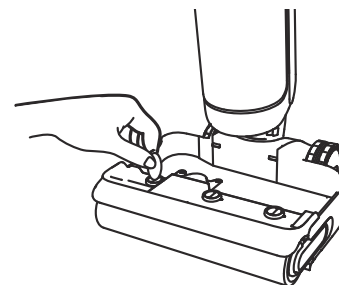
5. Wipe the suction inlet with a dry cloth or wet tissue. Do not rinse it with water.



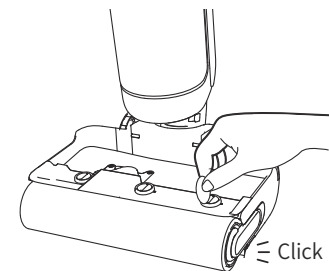
2. Use the provided cleaning brush to clean the roller brush, then rinse the roller brush with clean water and dry it completely.



4. Use a coin to turn the locking knobs on the roller brush cover to detach it.



6. Re-install the roller brush and handle until you hear a click.



# EN Troubleshooting

If an error occurs, the appliance will stop working. Please refer to the following table for troubleshooting. If the problem persists, please contact the customer service.

Issue	Possible Cause	Solution
The appliance does not work.	The appliance is out of battery or its battery level is low.	Fully charge the appliance before use.
	The appliance is in the upright position.	Recline the appliance backward.
	Overheat protection is activated due to blockage.	Clear the blockage and wait until the temperature returns normal.
	The used water tank is full.	Empty the used water tank.
	The parts are not installed in place.	Ensure all parts are installed in place.
The appliance charges slowly.	The temperature of the battery is too low or too high.	Wait until the battery's temperature returns normal.
The suction power of the appliance is weak.	The filter is clogged.	Cleaning the filter.
	The suction inlet or tube is blocked by a foreign object.	Clean the tube and the suction inlet.
The motor is making a strange noise.	There is too much dirty water in the used water tank.	Empty the used water tank.
	The suction inlet is blocked.	Clear any blockage in the suction inlet.
The dust concentration indicator is solid red.	The dirt sensor needs cleaning.	The dirt sensor is in the tube. Follow the cleaning instructions.
	The cleaning solution concentration is too high.	Dilute the cleaning solution with water at the recommended ratio.
	A third-party cleaning solution caused a large amount of foam.	Use only the officially-approved cleaning solution.
The display screen does not light up while charging.	The charging base plug is not inserted into the electrical outlet properly.	Make sure the charging base plug is inserted in place.
	The appliance is not properly placed on the charging base.	Make sure the appliance is properly placed on the charging base.
No water is coming out of the appliance.	The clean water tank is not properly installed, or the water in it is insufficient.	Re-install or fill the clean water tank.
	It takes 30 seconds to dampen the brush roller.	Check again after a while.






# EN Troubleshooting

The air outlet leaks water.	A collision or a sharp pull causes water to enter the motor.	Move the appliance gently back and forth while it is turned on.
	The filter is not completely dry after being cleaned.	Dry the filter completely before use.
Self-cleaning fails.	The roller brush may be jammed by large debris.	Remove the roller brush cover to check and clean the roller brush.
	The appliance is not properly placed on the charging base.	Make sure the appliance is being charged before enabling the self-cleaning function.
	Self-cleaning cannot be enabled if the battery level is lower than 20%.	Self-cleaning can only be enabled while the appliance is being charged and the battery level is more than 20%.
	The used water tank is full.	Empty the used water tank.
	The clean water tank is not installed in place, or the water in it is insufficient.	Re-install or fill the clean water tank.
Poor drying performance or strange noise occurs while drying.	The air outlet and air inlet of the charging base may be blocked.	Check and clear the blockage of air outlet and air inlet.

For additional services, please contact us via [aftersales@dreame.tech](mailto:aftersales@dreame.tech)  
 Website: <https://global.dreametech.com>

## Error Prompts and Solutions

If the appliance is not working properly, the screen display will show an error message. Please refer to the below table to find your solution.

Error Icon	Possible Cause	Solution
	Clean water is insufficient.	Fill the clean water tank.
	Used water tank is full.	Empty the used water tank.
	Roller brush is stuck.	Clean the roller brush.
	Tube is clogged.	Refer to the Care & Maintenance section to clean the tube and dirt sensor (below the used water tank).
	The brush roller and tube are dirty.	Place the appliance back onto the base for self-cleaning.

Error Code	Possible Cause	Solution
E1-E7	Malfunction	Restart the appliance. If the problem persists, please contact the customer service.
H1-H6		
H7	Battery overheating	Wait until the battery's temperature returns normal.

## Specifications

Vacuum			
Model	HHR44A	Rated Power	400 W
Rated Voltage	21.6 V ---	Charging Voltage	27 V ---
Clean Water Tank Capacity	780 mL	Used Water Tank Capacity	700 mL
Charging Time	Approx. 4 hours	Run Time	50min (Quiet Mode)
Charging Base			
Model	HCBAB	Rated Power Input*	670 W
Rated Input	220-240 V ~ 50-60 Hz	Rated Output	27 V --- 1.6 A

\* The rated input power refers to the power measured during a representative cycle for entering the drying mode.

\* When the appliance is fully charged, it automatically enters standby mode after 10 minutes, with a power consumption of 0.49 W.

# Battery Disposal and Removal

The built-in lithium-ion battery contains substances that are hazardous to the environment. Before disposing of the battery, make sure the battery is removed by qualified technicians and discarded at an appropriate recycling facility.

- The battery must be removed from the appliance before it is scrapped.
- The appliance must be disconnected from the supply mains when removing the battery.
- The battery is to be disposed of safely.

## CAUTION:

- Before removing the battery, disconnect the power and discharge it as much as possible.
- Unneeded batteries should be discarded at an appropriate recycling facility.
- Avoid exposing the battery to high temperatures to prevent the risk of explosion.
- Under abusive conditions, the battery may leak liquid. If contact occurs, rinse with water and seek medical assistance.

## Removal Guide

1. Use tools to remove the display screen.
2. Use tools to remove the screws securing the battery pack cover, and then pry open the cover.
3. Unplug the terminals connecting the battery to the mainboard, and then remove the battery.

# Wichtige Sicherheitshinweise

Bitte lesen Sie dieses Handbuch vor der Verwendung sorgfältig durch und bewahren Sie es zum späteren Nachschlagen auf.

Bei der Verwendung eines elektrischen Geräts sollten immer grundlegende Vorsichtsmaßnahmen beachtet werden, einschließlich der folgenden:

LESEN SIE VOR DEM GEBRAUCH (DIESES GERÄTS) ALLE ANWEISUNGEN. Die Nichtbeachtung der Warnhinweise und Anweisungen kann zu einem Stromschlag, Brand und/oder schweren Verletzungen führen.

**WARNUNG** – Um die Gefahr von Bränden, Stromschlägen oder Verletzungen zu verringern:

## Nutzungsbeschränkungen

- Um einen sicheren Betrieb zu gewährleisten und Risiken zu vermeiden, darf dieses Produkt nicht von Kindern unter 8 Jahren, von Personen mit körperlichen, sensorischen oder geistigen Einschränkungen oder von Personen mit mangelnden Kenntnissen ohne Aufsicht eines Elternteils oder Vormunds verwendet werden. Kinder dürfen die Reinigung und Wartung nicht ohne Aufsicht durchführen.
- Kunststoffolie kann gefährlich sein. Um die Gefahr des Erstickens zu vermeiden, halten Sie sie von Kindern fern. Kinder dürfen nicht mit dem Gerät spielen.
- Verwenden Sie das Gerät nur in Innenräumen, auf nicht mit Teppichboden versehenen Böden wie Vinyl, Fliesen, versiegeltem Holz usw. Achten Sie darauf, nicht über lose Gegenstände oder Kanten von Teppichen zu fahren. Ein Abwürgen der Bürste kann zu einem vorzeitigen Ausfall des Riemens führen.
- Verwenden Sie das Gerät nur wie in dieser Bedienungsanleitung beschrieben. Verwenden Sie nur das vom Hersteller empfohlene Zubehör.
- Setzen Sie das Gerät keinem Feuer oder übermäßigen Temperaturen aus. Die Exposition gegenüber Feuer oder übermäßiger Temperatur kann eine Explosion verursachen.
- Nicht in extrem heißen oder kalten Umgebungen verwenden (unter 5 °C/41 °F oder über 40 °C/104 °F). Bitte laden Sie das Gerät bei Temperaturen über 5 °C/41 °F und unter 40 °C/104 °F auf.
- Tauchen Sie das Gerät nicht in Flüssigkeit.
- Dieses Gerät darf nicht verwendet, um brennbare oder leicht entzündliche Flüssigkeiten wie Benzin aufzunehmen. Dieses Gerät darf nicht in Bereichen verwendet werden, in denen brennbare oder leicht entzündliche Flüssigkeiten vorhanden sein können.
- Setzen Sie kein Objekt in die Öffnungen. Verwenden Sie das Gerät nicht, wenn die Öffnung blockiert ist. Halten Sie sich frei von Staub, Fusseln, Haaren und allem, was den Luftstrom behindern kann.
- Nehmen Sie kein giftiges Material auf (Chlorbleiche, Ammoniak, Abflussreiniger usw.). Heben Sie keine harten oder scharfen Gegenstände wie Glas, Nägel, Schrauben, Münzen usw. auf.
- Verwenden Sie das Gerät nicht in einem geschlossenen Raum, der mit Dämpfen gefüllt ist, die von ölhaltigen Farben, Farbverdünnern, einigen Mottenschutzmitteln, brennbarem Staub oder anderen explosiven oder giftigen Dämpfen abgegeben werden. Nehmen Sie keine brennenden oder rauchenden Gegenstände auf, wie z. B. Zigaretten, Streichhölzer oder heiße Asche.
- Verwenden Sie es nicht ohne eingesetzte Filter.
- Halten Sie Haare, lose Kleidung, Finger und alle Körperteile von den Öffnungen und beweglichen Teilen des Geräts und seines Zubehörs fern.
- Halten Sie Erdungskabel vom Gerät fern, da eine Gefahr auftreten kann, wenn das Gerät in Betrieb über ein Netzkabel läuft
- Gehen Sie bei der Reinigung auf Treppen besonders vorsichtig vor.

# Wichtige Sicherheitshinweise

## Wartung und Lagerung

- Verhindern Sie ein unbeabsichtigtes Starten. Vergewissern Sie sich, dass der Schalter in der AUS-Stellung ist, bevor Sie das Gerät in die Hand nehmen oder tragen. Das Tragen des Geräts mit dem Finger auf dem Schalter oder auf dem stromführenden Gerät, das den Schalter eingeschaltet hat, trägt zu Unfällen bei.
- Stellen Sie sicher, dass das Gerät auf einer horizontalen Fläche steht. Verwenden Sie das Gerät nicht an der gleichen Stelle, wenn das Gerät mit einer Walzenbürste ausgestattet ist und der Griff nicht vollständig aufrecht steht. Lagern Sie das Gerät nicht an einem Ort, an dem es einfrieren kann.
- Schalten Sie das Gerät bei Nichtgebrauch vor dem Reinigen, Warten aus, oder bevor Sie es mit einer beweglichen Bürste anschließen oder trennen.
- Verwenden Sie kein Gerät, das beschädigt oder modifiziert ist. Beschädigte oder modifizierte Batterien können ein unvorhersehbares Verhalten zeigen, was zu Feuer, Explosion oder Verletzungsgefahr führen kann.
- Verändern Sie das Gerät nicht und versuchen Sie nicht, es zu reparieren, es sei denn, dies ist in der Gebrauchs- und Pflegeanleitung angegeben.
- Verwenden Sie das Gerät nicht mit einem beschädigten Aufsatz (z. B. Ladestation, Ladekabel usw.). Wenn der Aufsatz beschädigt ist, muss es vom Hersteller, seinem Servicepartner oder ähnlichen qualifizierten Personen ersetzt werden, um Gefahren zu vermeiden.
- Lassen Sie die Wartung von einer qualifizierten Reparaturkraft durchführen, die nur identische Ersatzteile verwendet. Dadurch wird sichergestellt, dass die Sicherheit des Produkts erhalten bleibt.
- Wenn das Netzkabel beschädigt ist, muss es durch den Hersteller, seinen Kundendienst oder ähnlich qualifizierte Fachkräfte ersetzt werden, um eine Gefährdung zu vermeiden.

## Akku und Aufladen

- Zum Aufladen des Gerätes nur die mitgelieferte Ladestation verwenden. Nur mit HCBAB-Ladestation verwenden.
- Befolgen Sie alle Ladeanweisungen und laden Sie das Gerät nicht außerhalb des in der Batterie angegebenen Temperaturbereichs auf, da dies die Brandgefahr erhöht.
- Die Ladestation ist mit einer Trocknungsfunktion ausgestattet und nur zum Trocknen der Bürste dieses Geräts geeignet.
- Halten Sie die Ladestation von beheizten Oberflächen fern. Fassen Sie den Stecker der Ladestation oder das Gerät nicht mit nassen Händen. Um den Netzstecker zu ziehen, greifen Sie nach dem Stecker der Ladestation und nicht nach dem Kabel.
- Ziehen oder tragen Sie Ladestaion nicht per Kabel, wobei Sie Kabel als Griff verwenden, Tür am Kabel schließen oder Kabel um scharfe Kanten oder Ecken ziehen.
- Benutzen Sie keine nicht wiederaufladbaren Batterien. Bei Nichtbeachtung besteht Brandgefahr für den Lithium-Ionen-Akku. Dieses Produkt enthält Batterien, die nur durch qualifizierte Techniker oder Kundendienst ersetzt werden können.
- Der Lithium-On-Akku enthält umweltgefährdende Substanzen. Bevor Sie das Gerät entsorgen, entfernen Sie bitte zuerst den Batteriesatz, dann werfen Sie ihn oder recyceln Sie ihn gemäß den lokalen Gesetzen und Vorschriften des Landes oder der Region, in dem er verwendet wird.

# Wichtige Sicherheitshinweise

- Das Gerät muss beim Entfernen der Batterie vom Netzteil getrennt werden. Batterien außerhalb der Reichweite von Kindern aufbewahren. Nehmen Sie Batterien niemals in den Mund. Im Falle des Verschluckens wenden Sie sich an Ihren Arzt oder die örtliche Giftnotrufzentrale.
- Kommen Sie unter missbräuchlichen Bedingungen niemals die Batterie in Berührung, aus der die Flüssigkeit ausgeworfen wird. Wenn die Berührung versehentlich auftritt, spülen Sie mit Wasser ab. Wenn die Flüssigkeit mit den Augen in Berührung kommt, suchen Sie sofort ärztliche Hilfe auf. Die aus der Batterie ausgestoßene Flüssigkeit kann Reizungen oder Verbrennungen verursachen.
- Die Ladestation eignet sich zum Aufladen des 6-Zellen-Akkupacks mit 4000 mAh. Diese Ladestation sollte nicht zum Laden von nicht wiederaufladbaren Batterien verwendet werden. Bei Nichtbeachtung besteht Brandgefahr für den Lithium-Ionen-Akku.

## Symbole



Geräte der Klasse II



Feinsicherung mit Zeitverzögerung wobei „T 3,15 A“ das Symbol für die Zeit/Strom-Kennlinie ist



Nur für den Innenbereich geeignet



Bedienungsanleitung lesen



Achtung: Heiße Oberfläche



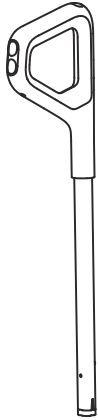
WEEE-Informationen

Alle mit diesem Symbol gekennzeichneten Produkte sind Elektroschrott und Elektrogeräte (WEEE entsprechend EU-Richtlinie 2012/19/EU) und dürfen nicht mit unsortiertem Haushaltsmüll vermischt werden. Schützen Sie stattdessen Ihre Mitmenschen und die Umwelt, indem Sie Ihre zu entsorgenden Geräte an eine dafür vorgesehene, von der Regierung oder einer lokalen Behörde eingerichtete Sammelstelle zum Recycling von Elektroschrott und Elektrogeräten bringen. Eine ordnungsgemäße Entsorgung und Recycling helfen, negative Auswirkungen auf die Gesundheit von Umwelt und Menschen zu vermeiden. Wenden Sie sich bitte an den Installateur oder lokale Behörden, um Informationen zum Standort und den allgemeinen Geschäftsbedingungen solcher Sammelstellen zu erhalten.

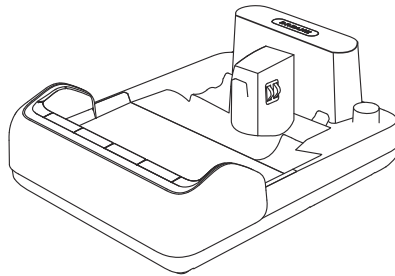
Wir, Dreame Trading (Tianjin) Co., Ltd., bestätigen hiermit, dass dieses Gerät mit dengeltenden Verordnungen und europäischen Normen sowie etwaigen Ergänzungen in Einklang steht. Der vollständige Wortlaut der EU-Konformitätserklärung ist unter der folgenden Internetadresse abrufbar: <https://global.dreametech.com>

Ein detailliertes elektronisches Handbuch finden Sie unter <https://global.dreametech.com/pages/user-manuals-and-faqs>

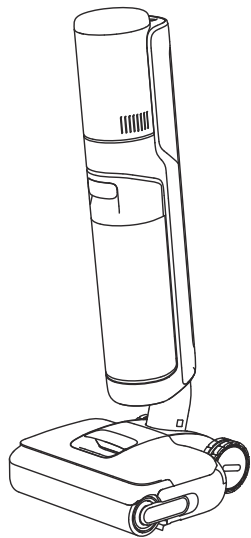
Packliste



Handgriff



Ladestation



Hauptkörper



Ersatzwalzenbürste

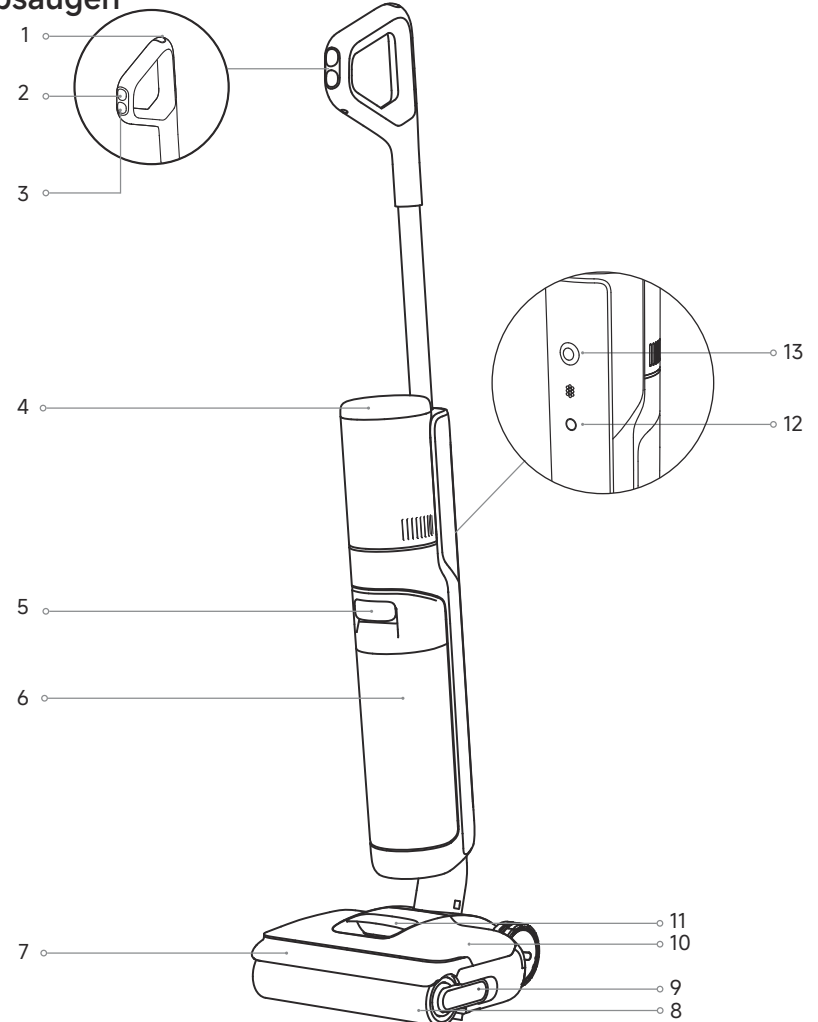


Reinigungsbürste



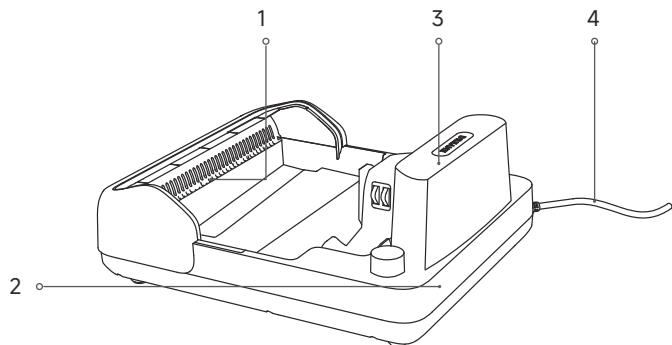
Ersatzfilter

Staubsaugen



- |   |                                  |    |                            |   |                                |
|---|----------------------------------|----|----------------------------|---|--------------------------------|
| 1 | Selbstreinigungstaste            | 6  | Schmutzwasserbehälter      | 11  | Griff für Frischwasserbehälter |
| 2 | Modusschalter                    | 7  | Abdeckung der Walzenbürste | 12  | Taste für die Sprachansage     |
| 3 | Netzschalter                     | 8  | Walzenbürste               | <ul style="list-style-type: none"> <li>• Kurz drücken, um die Sprachansage zu aktivieren oder die Lautstärke einzustellen</li> <li>• Halten Sie die Taste 3 Sekunden lang gedrückt, um zwischen den Sprachen zu wechseln</li> </ul> |                                |
| 4 | Bildschirm                       | 9  | Handgriff der Walzenbürste | 13  | Omnidirektionales Rad          |
| 5 | Griff für Schmutzwasserbehälter- | 10 | Frishwassertbehälter       |   |                                |

**Ladestation**



- 1 Trocknungsluftauslass 2 Zubehörsteckplatz 3 Ladekontakte 4 Netzkabel

**Bildschirm**



- |                   |  |  |
|-------------------|--|--|
| 1 Turbomodus      | 5 Fehlermeldungen  | 7 Selbstreinigungsmodus                |
| 2 Smarter Modus   | ☹ Zu wenig Frischwasser  | 8 Batterieanzeige                      |
| 3 Trocknungsmodus | 🗑 Schmutzwasserbehälter voll                                     | • Leuchtet orange:<br>Akkustand ≤ 20 % |
| 4 Ladeindikator   | 🚫 Schlauch verstopft   | • Aus Akkustand > 20 %                 |
|                   | 🚫 Walzenbürste ist blockiert                                     | 9 Saugmodus                            |
|                   | 🚫🚫 Walzenbürste und Schlauch verschmutzt                         |  |
|                   | 6 Staubkonzentration und Selbstreinigungs-/Trocknungsfortschritt | 10 Leiser Modus                        |

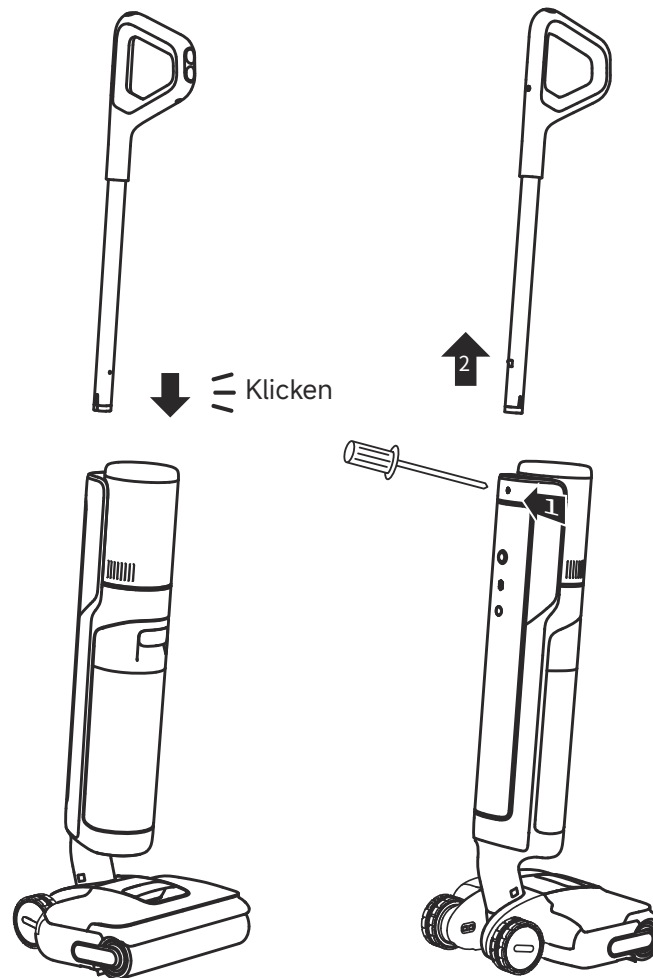
**Hinweis:**

- Auf dem Display wird eine Fehlermeldung angezeigt, wenn das Gerät nicht richtig funktioniert. Bitte sehen Sie in der Fehlermeldungs- und Lösungstabelle nach, um eine Lösung zu finden.
- Nur zur Information. Das tatsächliche Aussehen und der Display-Bildschirm des Geräts sind maßgebend.

**Einrichtung**

**Installation des Griffs**

Fügen Sie das Ende der Griffbaugruppe senkrecht in die Öffnung auf der Oberseite des Geräts ein, wie angegeben, Sie werden ein Einrasten spüren.

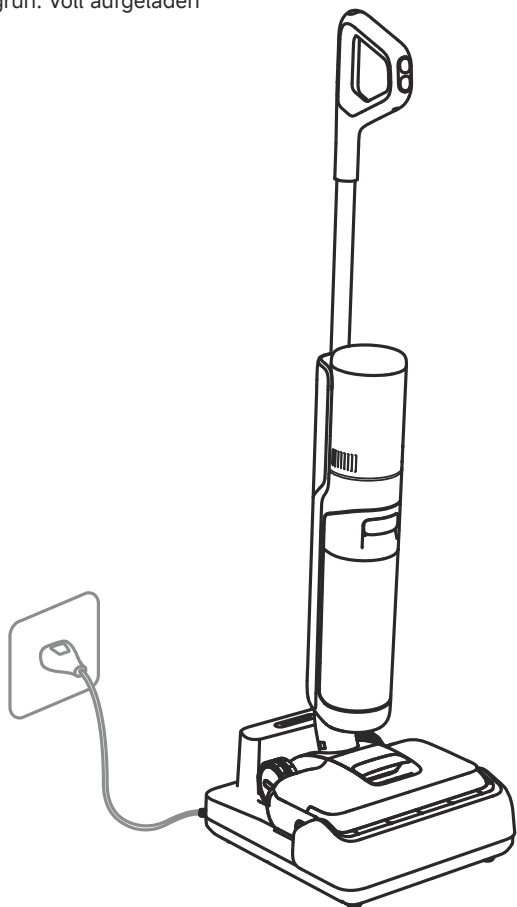


Hinweis: Zum Auseinanderbauen führen Sie einen harten Gegenstand wie angegeben in die Öffnung des Geräts ein, um die Kontakte einzudrücken, und ziehen Sie gleichzeitig den Griff nach oben.

1. Stellen Sie die Ladestation gegen eine Wand auf dem Boden und schließen Sie sie an eine Stromquelle an. Laden Sie das Gerät vor dem ersten Gebrauch vollständig auf.
2. Stellen Sie das Gerät auf die Ladestation. Wenn die Zahl auf dem Display 100 erreicht, ist der Akku vollständig geladen.

#### ⚡ Lade-/Akkustandsanzeige

- Leicht Orange: Akkustand  $\leq$  20 % (Aufladen)
- Leicht Grün: Akkustand  $>$  20 % (Aufladen)
- Dauerhaft grün: Voll aufgeladen



#### Hinweis:

- Wenn innerhalb von 10 Minuten nach dem vollständigen Aufladen kein Betrieb erfolgt, wechselt das Gerät in den Ruhemodus. Bitte starten Sie das Gerät neu, wenn Sie es wieder benutzen möchten.
- Zur Verlängerung der Lebensdauer kühlt sich der Akku automatisch ab (ca. 1 Stunde), bevor er wieder aufgeladen wird, nachdem das Gerät längere Zeit ununterbrochen in Betrieb gewesen ist. (Die Abkühlzeit beträgt etwa 1 Stunde).

## Modus umschalten

Drücken Sie die , um den Modus je nach Ihren Bedürfnissen zu wechseln.



**Turbomodus**  
Maximale Saugleistung und erhöhter Wasserdurchfluss für hartnäckige Flecken auf Hartböden.



**Smarter Modus**  
Das Gerät erkennt die Stärke der Verschmutzung und passt die Saugleistung und den Wasserdurchfluss entsprechend an.



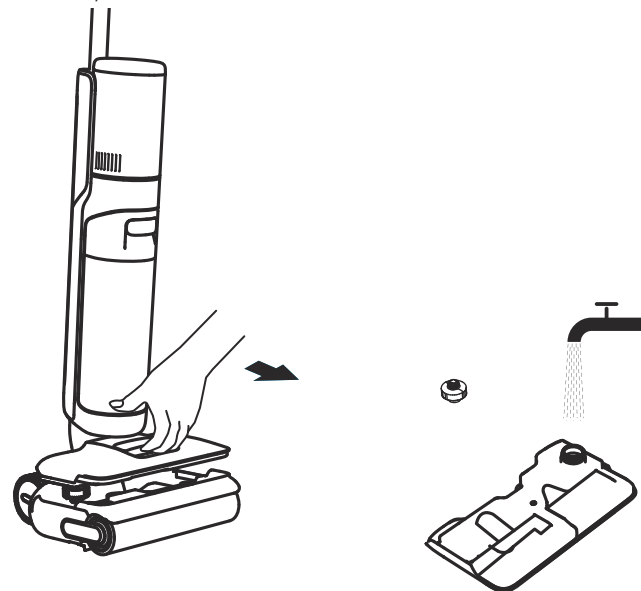
**Leiser Modus**  
Das Gerät hält eine moderate Saugleistung bei einem niedrigen Geräuschpegel aufrecht.





**Saugmodus**  
Nur Trockensaugen ohne Wasserausgabe.

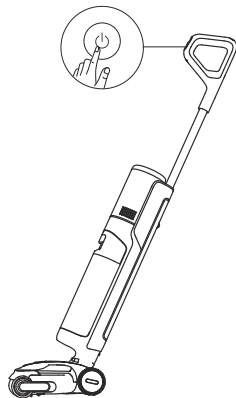
## Füllen Sie den Frischwasserbehälter auf

Nehmen Sie den Frischwasserbehälter heraus. Öffnen Sie den Behälterdeckel und füllen Sie den Behälter ausreichend mit sauberem Wasser. Installieren Sie den Wasserbehälter erneut und stellen Sie sicher, dass er einrastet.



## Beginne mit der Reinigung

Treten Sie vorsichtig auf die Bürstenabdeckung und kippen Sie das Gerät nach hinten. Drücken Sie , um die Reinigung zu starten. Drücken Sie die , um den Modus je nach Ihren Bedürfnissen zu wechseln.

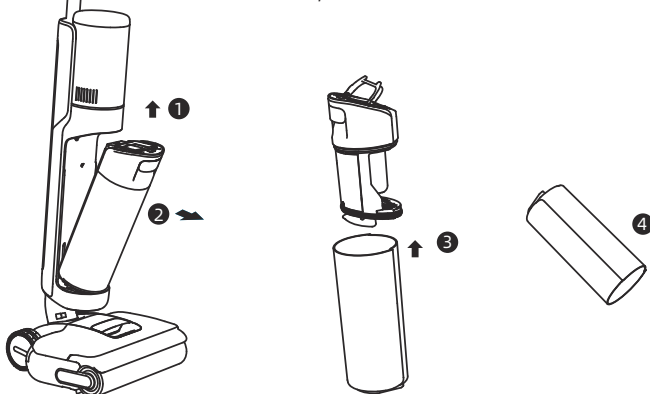


### Hinweis:



- Verwenden Sie es nicht, um schäumende Flüssigkeiten zu saugen.
- Wenn sich das Gerät während der Arbeit in aufrechter Position befindet, wird die aktuelle Aufgabe unterbrochen.
- Das Gerät eignet sich ausschließlich für die Reinigung von harten Oberflächen wie Holzböden, Marmor und Fliesen.
- Bitte drücken Sie die Bürste beim Gebrauch gegen den Boden.
- Das Gerät darf während des Betriebs nicht angehoben, bewegt, flach hingelegt oder gekippt werden, damit kein Schmutzwasser in den Motor fließt.

## Den Schmutzwasserbehälter leeren


Ziehen Sie am Behältergriff, um den Schmutzwasserbehälter herauszunehmen. Entfernen Sie den Behälterdeckel und schütten Sie das Schmutzwasser aus. Installieren Sie den Wasserbehälter erneut und stellen Sie sicher, dass er einrastet.

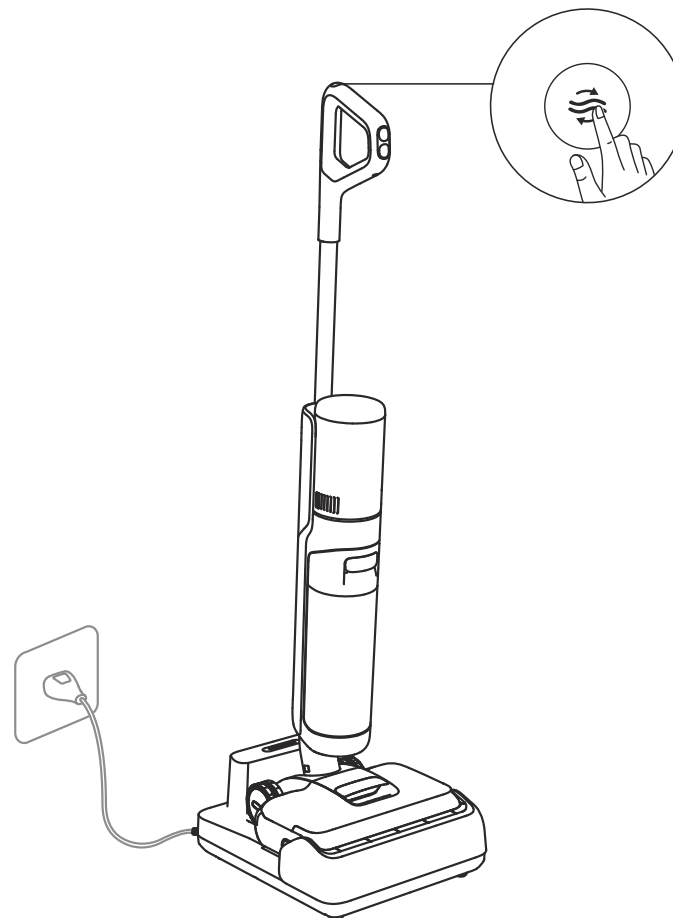


## Selbstreinigungsmodus

1. Stellen Sie das Gerät nach der Reinigung sofort wieder auf die Basis und vergewissern Sie sich, dass der Frischwasserbehälter ausreichend gefüllt ist.
2. Drücken Sie kurz die  oben am Griff, um die Selbstreinigung zu starten/ zu stoppen. Schalten Sie den Trocknungsmodus gemäß den Sprachanweisungen um.
3. Nach Beendigung der Selbstreinigung schaltet das Gerät automatisch in den Trocknungsmodus; bitte leeren Sie den Schmutzwasserbehälter umgehend. Drücken Sie , um den Trocknungsmodus zu beenden.

## Trocknungsmodus

1. Die Taste für Selbstreinigung  3 Sekunden lang gedrückt halten, um den Trocknungsmodus zu aktivieren.
2. Das Gerät wird geladen, sobald der Trocknungsvorgang abgeschlossen ist.



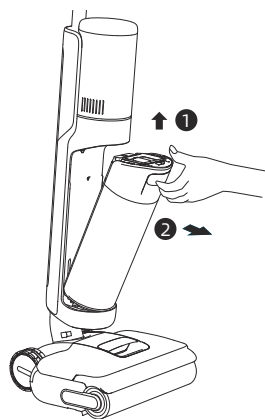
Hinweis: Selbstreinigungsfunktion kann nur aktiviert werden, wenn das Gerät aufgeladen wird und der Akkustand mehr als 20 % beträgt.

**Tipps**

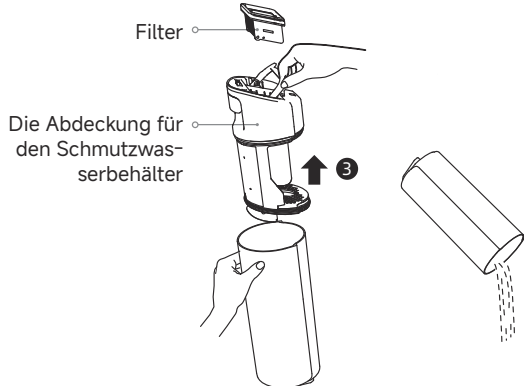
- Schalten Sie das Gerät vor der Wartung aus. Passen Sie auf, dass Sie nicht versehentlich die Einschalttaste drücken.
- Teile müssen bei Bedarf ausgetauscht werden. Bitte verwenden Sie die vom Originalwerk vorgesehenen Teile, um Schäden am Produkt aufgrund von Ungeeignetheit zu vermeiden.
- Wenn das Gerät längere Zeit nicht verwendet wird, laden Sie es vollständig auf, ziehen Sie den Netzstecker ab und lagern Sie das Gerät in einer kühlen Umgebung mit geringer Luftfeuchtigkeit, fern von direkter Sonneneinstrahlung. Laden Sie das Gerät mindestens alle 3 Monate auf, um eine Überentladung des Akkus zu vermeiden.

**Reinigen Sie den Schmutzwasserbehälter**

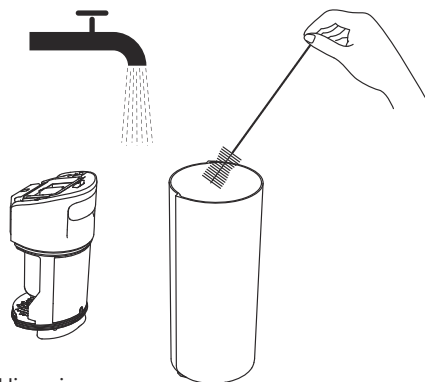
1. Ziehen Sie am Behältergriff, um den Schmutzwasserbehälter zu entfernen.



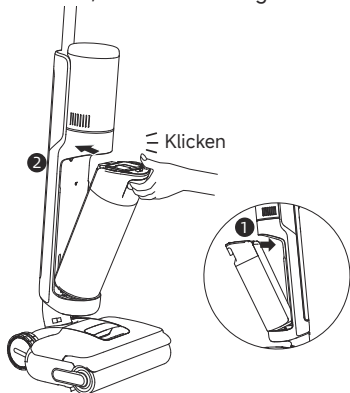
2. Nehmen Sie den Filter aus der Behälterabdeckung. Entfernen Sie den Behälterdeckel und gießen Sie das Schmutzwasser aus.



3. Spülen Sie den Behälter und die Behälterabdeckung mit sauberem Wasser aus. Reinigen Sie die Innenwände des Behälters mit der mitgelieferten Reinigungsbürste.



4. Setzen Sie den Filter und die Behälterabdeckung wieder ein. Setzen Sie anschließend den Schmutzwasserbehälter wieder ein, bis Sie ein Klickgeräusch hören.

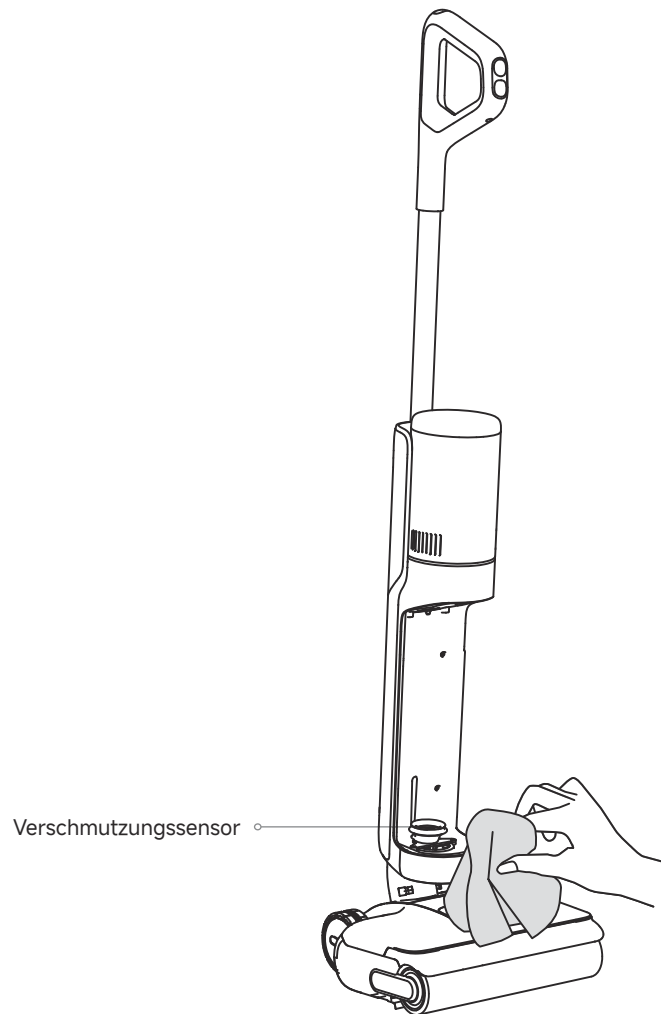


**Hinweis:**

- Wenn der Filter verschmutzt ist, spülen Sie ihn mit sauberem Wasser aus und trocknen Sie ihn vor der Verwendung vollständig.
- Es wird empfohlen, den Filter alle 3 bis 6 Monate auszutauschen.

**Reinigung des Rohres und des Schmutzsensors**

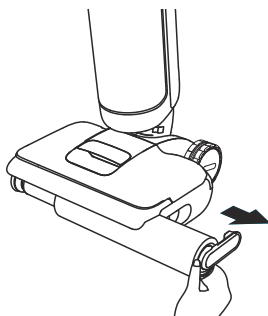
Nehmen Sie den Schmutzwasserbehälter heraus, wischen Sie den Schlauch und den Verschmutzungssensor mit einem feuchten Tuch ab.



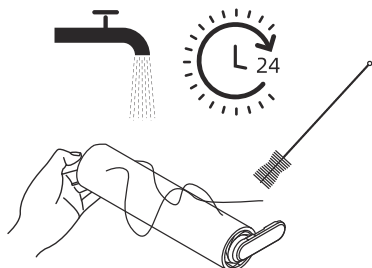
Hinweis: Spülen Sie den Schlauch oder den Verschmutzungssensor nicht mit Wasser ab.

### Reinigung der Walzenbürsten-Aufsätze

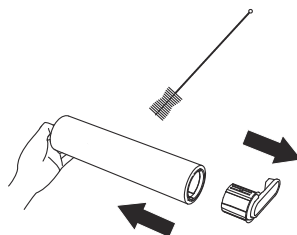
1. Ziehen Sie am Griff, um die Walzenbürste zu entfernen.



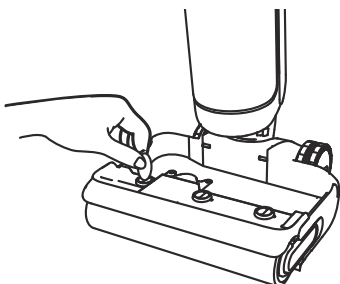
2. Nutzen Sie zum Reinigen der Walzenbürste die mitgelieferte Reinigungsbürste, spülen Sie die Walzenbürste anschließend mit sauberem Wasser ab und lassen Sie sie vollständig trocknen.



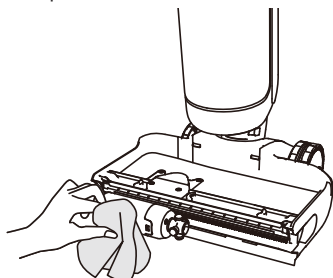
3. Es wird empfohlen, die Walzenbürste alle 3 bis 6 Monate auszutauschen. Nehmen Sie den Griff der Walzenbürste ab, um sie durch eine neue Walzenbürste zu ersetzen. Dann drücken Sie sie fest nach unten.



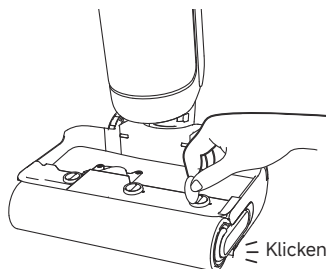
4. Drehen Sie die Verriegelungsknöpfe an der Walzenbürstenabdeckung mit einer Münze, um sie zu entfernen.



5. Wischen Sie den Saugeinlass mit einem trockenen Tuch oder einem feuchten Lappen ab. Spülen Sie sie nicht mit Wasser ab.



6. Setzen Sie die Walzenbürste und den Griff wieder ein, bis Sie ein Klicken hören.








Wenn ein Fehler auftritt, wird das Gerät nicht mehr funktionieren. Bitte beachten Sie die folgende Tabelle zur Fehlerbehebung. Wenn das Problem weiterhin besteht, wenden Sie sich bitte an den Kundendienst.

Problem	Mögliche Ursache	Lösung
Das Gerät funktioniert nicht.	Der Akku des Geräts ist leer oder der Akkustand ist niedrig.	Laden Sie das Gerät vor dem Gebrauch vollständig auf.
	Das Gerät befindet sich in der aufrechten Position.	Stellen Sie das Gerät nach hinten.
	Der Überhitzungsschutz wird durch eine Verstopfung aktiviert.	Beseitigen Sie die Verstopfung und warten Sie, bis die Temperatur wieder normal ist.
	Der Schmutzwasserbehälter ist voll.	Den Schmutzwasserbehälter leeren.
Das Gerät wird langsam aufgeladen.	Die Temperatur des Akkus ist zu niedrig oder zu hoch.	Bitte kontaktieren Sie den Kundenservice.
	Die Saugleistung des Gerätes ist niedrig.	Der Filter ist verstopft. Der Saugeinlass oder -rohr ist durch.
Der Motor macht ein seltsames Geräusch.	Es befindet sich zu viel Schmutzwasser im Schmutzwasserbehälter.	Den Schmutzwasserbehälter leeren.
	Die Hauptsaugöffnung ist blockiert.	Beseitigen Sie eventuelle Verstopfungen in der Hauptsaugöffnung.
Die Staubkonzentrationsanzeige leuchtet rot.	Der Verschmutzungssensor muss gereinigt werden.	Der Verschmutzungssensor befindet sich im Rohr. Befolgen Sie die Reinigungsanweisungen.
	Die Konzentration der Reinigungsflüssigkeit ist zu hoch.	Verdünnen Sie die Reinigungslösung im empfohlenen Verhältnis mit Wasser.
	Eine Reinigungslösung eines Drittanbieters hat eine große Menge Schaum verursacht.	Verwenden Sie nur die offiziell zugelassene Reinigungslösung.
Die Akkustatusanzeige leuchtet während des Ladevorgangs nicht.	Der Ladestecker ist nicht richtig in die Steckdose eingesteckt.	Stellen Sie sicher, dass der Ladestecker richtig eingesteckt ist.
	Das Gerät ist nicht richtig auf der Ladestation aufgestellt.	Stellen Sie sicher, dass das Gerät richtig auf der Ladestation platziert ist.
Es kommt kein Wasser aus dem Gerät.	Der Frischwasserbehälter ist nicht richtig installiert, oder der Wasserstand ist zu niedrig.	Setzen Sie den Frischwasserbehälter wieder ein oder füllen Sie ihn auf.
	Es dauert 30 Sekunden, um die Bürsterolle zu befeuchten.	Prüfen Sie etwas später erneut.

Aus dem Luftauslass tritt Wasser aus.	Eine Kollision oder starkes Ziehen führt dazu, dass Wasser in den Motor gelangt.	Bewegen Sie das Gerät vorsichtig hin und her, wenn es eingeschaltet ist.
	Der Filter ist nach der Reinigung nicht vollständig trocken.	Den Filter vor Gebrauch gründlich abtrocknen.
Selbstreinigung ist fehlgeschlagen.	Ein Gegenstand verklemmt sich in der Walzenbürste.	Entfernen Sie die Walzenbürstenabdeckung, um die Walzenbürste zu überprüfen und zu reinigen.
	Das Gerät ist nicht richtig auf der Ladestation aufgestellt.	Stellen Sie sicher, dass das Gerät beim Aufladen ist, bevor Sie die Selbstreinigungsfunktion aktivieren.
	Die Selbstreinigung kann nicht gestartet werden, wenn der Batteriestand weniger als 20% beträgt.	Die Selbstreinigung kann nur aktiviert werden, während das Gerät aufgeladen wird und der Akkustand mehr als 20 % beträgt.
	Der Schmutzwasserbehälter ist voll.	Den Schmutzwasserbehälter leeren.
	Der Frischwasserbehälter ist nicht richtig installiert, oder der Wasserstand im Behälter ist zu niedrig.	Setzen Sie den Frischwasserbehälter wieder ein oder füllen Sie ihn auf.
Schlechte Trockenleistung oder ungewöhnliche Geräusche beim Trocknen.	Luftauslass und Lufteinlass der Ladestation könnten vermutlich blockiert werden.	Verstopfung von Luftauslass und Lufteinlass prüfen und beseitigen.

Für weitere Serviceleistungen kontaktieren Sie uns bitte über [aftersales@dreame.tech](mailto:aftersales@dreame.tech) Webseite: <https://global.dreametech.com>

Wenn das Gerät nicht ordnungsgemäß funktioniert, wird auf dem Bildschirm eine Fehlermeldung angezeigt. Schauen Sie in der folgenden Tabelle nach, um eine Lösung zu finden.

Fehler-Symbol	Mögliche Ursache	Lösung
	Zu wenig Frischwasser.	Füllen Sie den Frischwasserbehälter auf.
	Schmutzwasserbehälter ist voll.	Den Schmutzwasserbehälter leeren.
	Walzenbürste ist blockiert.	Reinigen Sie die Walzenbürste.
	Der Schlauch ist verstopft.	Reinigen Sie den Schlauch und den Schmutzsensoren (unter dem Schmutzwasserbehälter), wie im Abschnitt „Pflege und Wartung“ beschrieben.
	Die Walzenbürste und der Schlauch sind verschmutzt.	Stellen Sie das Gerät zur Selbstreinigung wieder auf die Basis.

Fehlercode	Mögliche Ursache	Lösung
E1 - E7	Betriebsstörung	Starten Sie das Gerät neu. Wenn das Problem weiterhin besteht, wenden Sie sich bitte an den Kundendienst.
H1 - H6		
H7	Akku-Überhitzung	Bitte kontaktieren Sie den Kundenservice.

Staubsaugen			
Modell	HHR44A	Bemessungsleistung	400 W
Bemessungsspannung	21,6 V ===	Ladespannung	27 V ===
Kapazität des Reinwasserbehälters	780 ml	Kapazität des Schmutzwasserbehälters	700 ml
Ladezeit	Ca. 4 Stunden	Betriebszeit	50 Min. (Leiser Modus)
Ladestation			
Modell	HCBAB	Bemessungsleistungsaufnahme*	670 W
Nenneingang	220 - 240 V ~ 50 - 60 Hz	Nennausgang	27 V === 1,6 A

\* Die Bemessungsleistungsaufnahme bezieht sich auf die Leistung, die während eines repräsentativen Zyklus zum Einschalten des Trocknungsmodus gemessen wurde.

\* Wenn das Gerät vollständig aufgeladen ist, wechselt es nach 10 Minuten automatisch in den Standby-Modus mit einem Energieverbrauch von 0,49 W.

## Entsorgung und Entfernung von Batterien

Die eingebaute Lithium-Ionen-Batterie enthält umweltgefährdende Substanzen. Stellen Sie vor der Entsorgung der Batterie sicher, dass die Batterie von qualifizierten Technikern entfernt und in einer geeigneten Recyclinganlage entsorgt wird.

- Der Akku muss vor der Entsorgung aus dem Gerät entfernt werden.
- Das Gerät muss beim Entfernen des Akkus vom Stromnetz getrennt werden.
- Der Akku muss sicher entsorgt werden.

### ACHTUNG:

- Bevor Sie den Akku entfernen, trennen Sie die Stromversorgung und entladen Sie den Akku so weit wie möglich.
- Nicht benötigte Batterien sollten in einer geeigneten Recyclinganlage entsorgt werden.
- Setzen Sie die Batterie keinen hohen Temperaturen aus, um eine Explosionsgefahr zu vermeiden.
- Bei unsachgemäßer Handhabung kann aus dem Akku Flüssigkeit austreten. Wenn Sie aus Versehen anfassen, spülen Sie mit Wasser und suchen Sie einen Arzt auf.

### Anleitung zum Entfernen

1. Verwenden Sie Werkzeug, um den Bildschirm zu entfernen.
2. Verwenden Sie Werkzeug, um die Schrauben, mit denen die Abdeckung des Akkus befestigt ist zu entfernen und hebeln Sie die Abdeckung auf.
3. Lösen Sie die Anschlüsse, die den Akku mit der Hauptplatine verbinden, und nehmen Sie den Akku heraus.

# Consignes de sécurité importantes

Veuillez lire attentivement ce manuel avant l'utilisation et le conserver pour référence ultérieure.

Lors de l'utilisation d'un appareil électrique, des précautions de base doivent toujours être prises, notamment les suivantes :

LISEZ TOUTES LES INSTRUCTIONS AVEC D'UTILISER (CET APPAREIL). Ces messages d'avertissement et ces instructions doivent être suivis pour éviter les risques d'électrocution, de départ de feu et d'éventuelles blessures.

**AVERTISSEMENT** — Pour éviter les risques de départ de feu, de choc électrique ou de blessures :

## Restrictions d'utilisation

- Cet appareil ne doit pas être utilisé par des enfants âgés de moins de 8 ans et des personnes ayant un handicap physique, sensoriel ou intellectuel, ou une connaissance ou une expérience limitée sans la surveillance d'un parent ou d'un tuteur pour assurer un fonctionnement en toute sécurité et éviter les risques. Les opérations de nettoyage et d'entretien ne doivent pas être effectuées par les enfants sans supervision.
- Le film plastique peut être dangereux. Pour éviter tout risque de suffocation, tenez-le à l'écart des enfants. Les enfants ne doivent pas jouer avec l'appareil.
- N'utilisez l'appareil qu'à l'intérieur, sur des surfaces de sol non recouvertes de tapis, comme le vinyle, le carrelage, le bois scellé, etc. Veillez à ne pas rouler sur des objets non fixés ou sur les bords d'un tapis. Le fait de bloquer la brosse peut entraîner une défaillance prématurée de la courroie.
- N'utilisez que ce qui est décrit dans ce guide de l'utilisateur. N'utilisez que les accessoires recommandés par le fabricant.
- N'exposez pas l'appareil au feu ou à une température excessive. L'exposition au feu ou à une température excessive peut provoquer une explosion.
- N'utilisez pas l'appareil dans des environnements extrêmement chauds ou froids (inférieurs à 5 °C/ 41°F ou supérieurs à 40 °C/104°F). Veuillez charger l'appareil à une température supérieure à 5 °C/ 41°F et inférieure à 40 °C/104°F.
- Ne plongez pas l'appareil dans un liquide.
- N'utilisez pas l'appareil pour aspirer des liquides combustibles ou inflammables, tels que l'essence. N'utilisez pas l'appareil dans des zones où des liquides inflammables ou combustibles peuvent être présents.
- Ne mettez aucun objet dans les ouvertures. N'utilisez pas l'appareil lorsqu'une ouverture est bloquée. Ne laissez pas la poussière, des peluches, des cheveux ou d'autres éléments entraver la circulation de l'air.
- Ne ramassez pas de produits toxiques (eau de Javel, ammoniac, déboucheur de canalisations, etc.). Ne ramassez pas d'objets durs ou pointus tels que du verre, des clous, des vis, des pièces de monnaie, etc.
- N'utilisez pas l'appareil dans un espace clos rempli de vapeurs de peinture à l'huile, de diluant pour peinture, de certaines substances antimites, de poussières inflammables ou d'autres vapeurs explosives ou toxiques. Ne ramassez rien qui brûle ou qui fume, comme des cigarettes, des allumettes ou des cendres chaudes.
- N'utilisez pas l'appareil si les filtres ne sont pas en place.
- Tenez les cheveux, les vêtements amples, les doigts et toutes les parties du corps éloignés des ouvertures et des parties mobiles de l'appareil et de ses accessoires.

# Consignes de sécurité importantes

- Éloignez les câbles de mise à la terre de l'appareil lorsque vous l'utilisez. Un danger peut survenir si l'appareil passe sur un cordon d'alimentation.
- Faites très attention lorsque vous nettoyez les escaliers.

## Entretien et stockage

- Empêchez tout démarrage intempestif. Assurez-vous que l'interrupteur est en position OFF avant de prendre ou de transporter l'appareil. Le fait de porter l'appareil avec le doigt sur l'interrupteur ou d'allumer l'appareil peut provoquer un accident.
- Assurez-vous que l'appareil est placé sur une surface horizontale. N'utilisez pas l'appareil dans la même position si l'appareil est équipé d'une brosse à rouleau et que la poignée n'est pas complètement verticale. Ne rangez pas l'appareil dans un endroit où il risque de geler.
- Éteignez et débranchez l'appareil lorsqu'il n'est pas utilisé, avant de le nettoyer, de l'entretenir ou de le réparer, et avant de le connecter ou de le déconnecter avec une brosse en mouvement.
- N'utilisez pas un appareil endommagé ou modifié. Un appareil endommagé ou modifié peut avoir un comportement imprévisible et provoquer un incendie, une explosion ou un risque de blessure.
- Ne modifiez pas ou n'essayez pas de réparer l'appareil sauf comme indiqué dans les instructions d'utilisation et d'entretien.
- N'utilisez pas l'appareil avec un accessoire endommagé (par exemple : station de chargement, cordon d'alimentation, etc.). Si l'appareil ou l'accessoire est tombé, a été endommagé, est resté à l'extérieur, est tombé dans l'eau ou ne fonctionne pas comme il le devrait, n'essayez jamais de le faire fonctionner. Veuillez le faire réparer dans un centre de service agréé.
- Confiez l'entretien à un réparateur qualifié qui n'utilisera que des pièces de rechange identiques. Cela permet de garantir la sécurité de l'appareil.
- Si le cordon d'alimentation est endommagé, il doit être remplacé par le fabricant, son réparateur ou une personne possédant des qualifications équivalentes afin d'éviter tous risques.

## Batterie et mise en charge

- Pour recharger l'appareil, utilisez uniquement la station de chargement fournie avec cet appareil. Utilisez uniquement la station de chargement HCBAB.
- Suivez toutes les instructions de chargement et ne chargez pas l'appareil en dehors de la plage de température spécifiée dans la batterie, car cela augmente le risque de départ de feu.
- La station de chargement est équipée d'une fonction de séchage et ne convient que pour sécher la brosse de cet appareil.
- Éloignez le câble de la station de chargement des surfaces chauffées. Ne manipulez pas la fiche de la station de chargement ou l'appareil avec des mains mouillées. Pour débrancher, saisissez la fiche de la station de chargement plutôt que le câble.
- Ne tirez pas ou ne transportez pas la station de chargement par le câble, n'utilisez pas le câble comme une poignée, ne fermez pas la porte sur le câble et ne tirez pas le câble autour de bords ou d'angles tranchants.
- N'utilisez pas de batterie non rechargeable. Sinon, la batterie lithium-ion peut prendre feu. Cet appareil contient des batteries qui ne peuvent être remplacées que par des techniciens qualifiés ou des personnes du service après-vente.

# Consignes de sécurité importantes

- La batterie lithium-ion contient des substances dangereuses pour l'environnement. Avant de mettre l'appareil au rebut, veuillez d'abord retirer la batterie, puis la mettre au rebut ou la recycler conformément aux lois et réglementations locales du pays ou de la région où elle est utilisée.
- L'appareil doit être débranché de la source d'alimentation lors du retrait de la batterie. Tenez les batteries hors de portée des enfants. Ne mettez jamais les batteries dans la bouche. En cas d'ingestion, contactez votre médecin ou le centre antipoison local.
- Dans de mauvaises conditions, ne touchez jamais la batterie d'où le liquide pourrait être éjecté. En cas de contact accidentel, rincez à l'eau. Si le liquide entre en contact avec les yeux, consultez immédiatement un médecin. Le liquide éjecté de la batterie peut provoquer des irritations ou des brûlures.
- La station de chargement permet de charger la batterie 6 cellules 4 000 mAh. La station de chargement ne doit pas être utilisée pour charger une batterie non rechargeable. Sinon, la batterie lithium-ion peut prendre feu.

## Symboles



Équipement de classe II



Fusible miniature à temporisation où T 3.15A est le symbole de la caractéristique temps/courant



Pour un usage en intérieur uniquement



Lire le mode d'emploi



Attention : surface chaude.



Informations concernant les DEEE

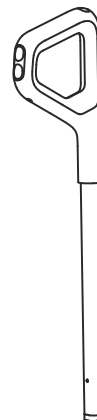
Tous les produits portant ce symbole sont des déchets d'équipements électriques et électroniques (DEEE d'après la directive 2012/19/UE) qui ne doivent pas être mélangés avec les ordures ménagères non triées. Vous devez protéger la santé humaine et l'environnement en déposant votre équipement usagé dans un point de collecte prévu à cet effet pour le recyclage des déchets d'équipements électriques et électroniques, désigné par le gouvernement et les autorités locales. Des procédures d'élimination et de recyclage adéquates permettent d'éviter les effets nocifs sur l'environnement et la santé humaine. Veuillez contacter l'installateur ou les autorités locales pour plus d'informations sur le site, ainsi que les modalités et conditions des points de collecte de ce type.

Nous, Dreame Trading (Tianjin) Co., Ltd., déclarons par la présente que cet équipement est conforme aux directives, normes européennes et amendements applicables. L'intégralité du texte de la déclaration UE de conformité est disponible à l'adresse Internet suivante : <https://global.dreametech.com>

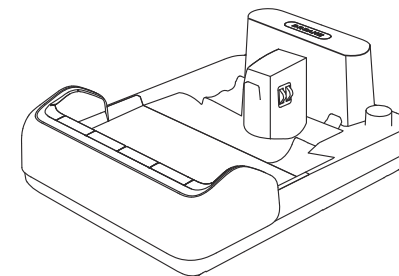
Pour obtenir un manuel électronique détaillé, rendez-vous sur le site <https://global.dreametech.com/pages/user-manuals-and-faqs>

# Présentation du produit

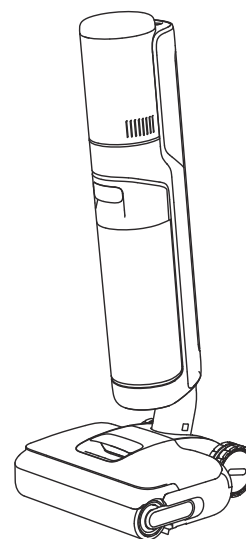
## Liste d'emballage



Poignée



Station de chargement



Corps principal



Brosse de nettoyage



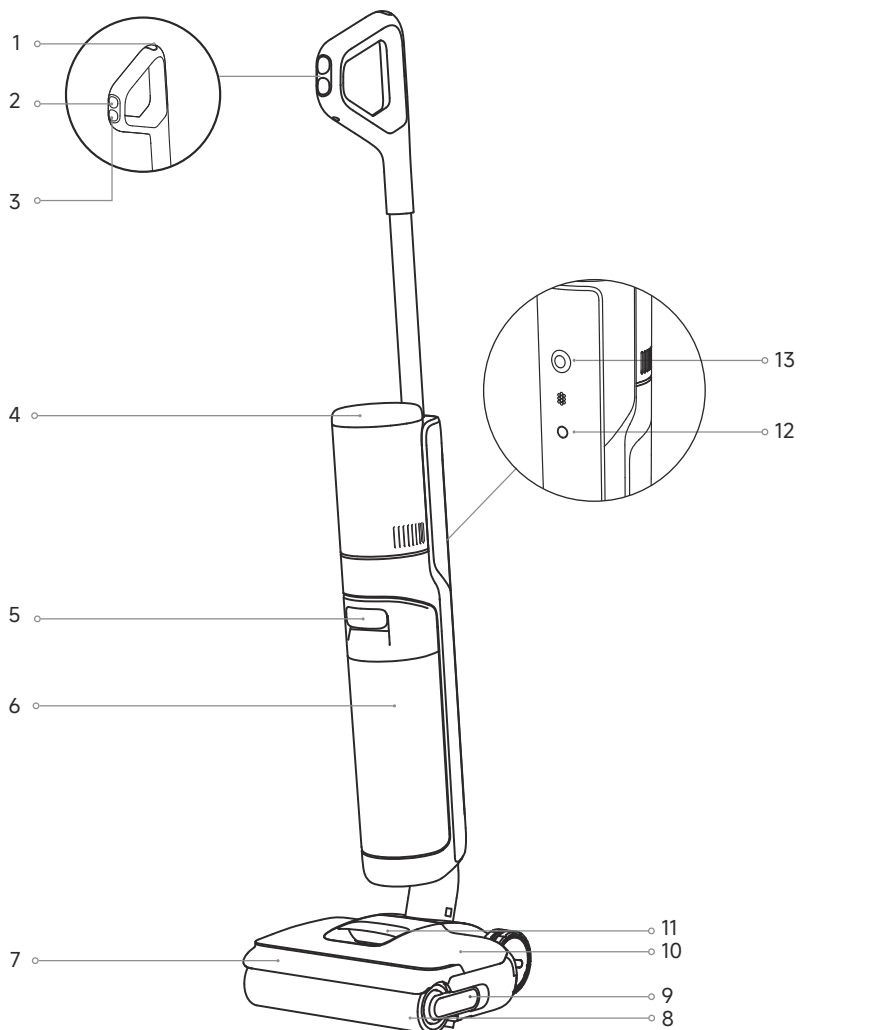
Brosse à rouleau de recharge



Filtre de recharge

# Présentation du produit

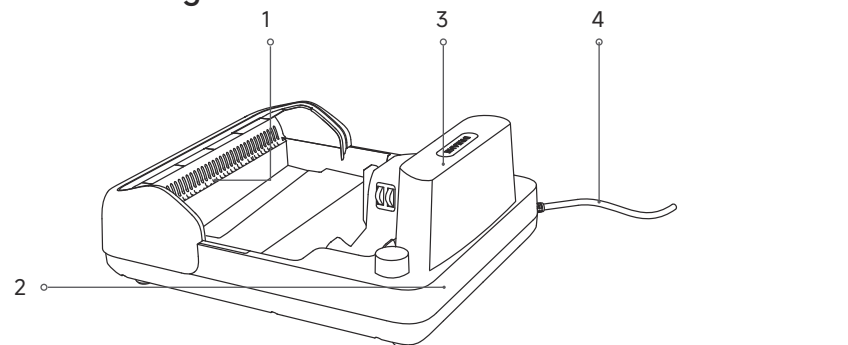
## Aspirateur



- |   |                                 |    |                                  |  |                                   |                         |
|---|---------------------------------|----|----------------------------------|--|-----------------------------------|-------------------------|
| 1 | Bouton de nettoyage automatique | 6  | Réservoir d'eau sale             | 11   | Poignée du réservoir d'eau propre |                         |
| 2 | Commutateur de mode             | 7  | Couvercle de la brosse à rouleau | 12   | Bouton de commande vocale         |                         |
| 3 | Interrupteur d'alimentation     | 8  | Brosse à rouleau                 | <ul style="list-style-type: none"> <li>• Appuyez brièvement pour activer la commande vocale ou régler le volume</li> <li>• Appuyez et maintenez enfoncé pendant 3 secondes pour passer d'une langue à l'autre</li> </ul> | 13                                | Roue omnidirectionnelle |
| 4 | Écran d'affichage               | 9  | Poignée de la brosse à rouleau   |  |                                   |                         |
| 5 | Poignée du réservoir d'eau sale | 10 | Réservoir d'eau propre           |  |                                   |                         |

# Présentation du produit

## Station de chargement



- |   |                           |   |                                       |   |                    |   |                       |
|---|---------------------------|---|---------------------------------------|---|--------------------|---|-----------------------|
| 1 | Sortie de séchage à l'air | 2 | Emplacement de rangement d'accessoire | 3 | Contacts de charge | 4 | Cordon d'alimentation |
|---|---------------------------|---|---------------------------------------|---|--------------------|---|-----------------------|

## Écran d'affichage



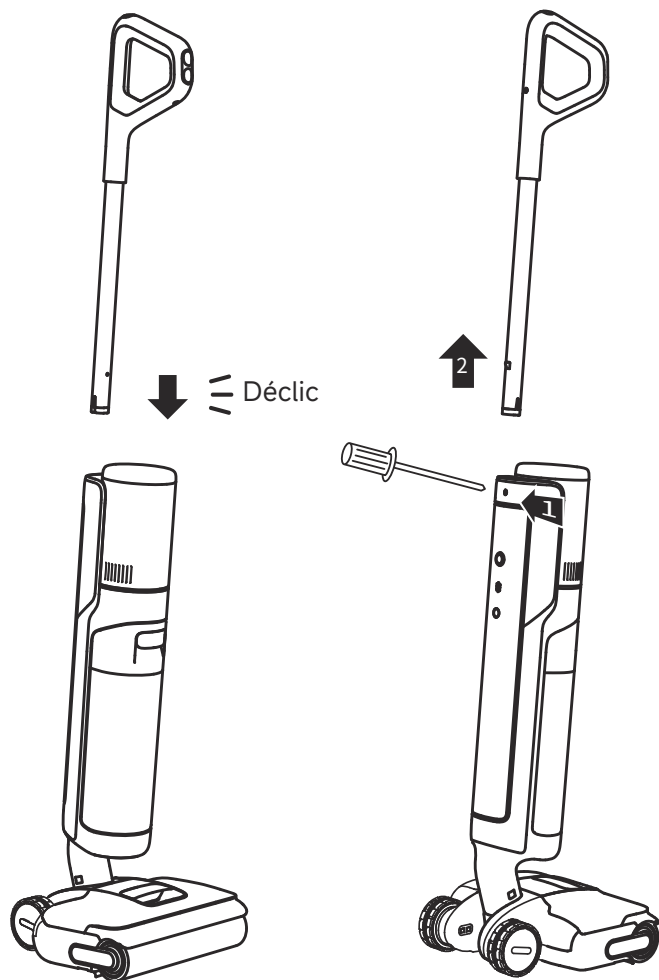
- |   |                      |                                |   |                        |  |
|---|----------------------|--------------------------------|---|------------------------|--|
| 1 | Mode turbo           | 5                              | Messages d'erreur   | 7                      | Mode de nettoyage automatique  |
| 2 | Mode intelligent     | Manque d'eau propre            | 8   | Indicateur de batterie | <ul style="list-style-type: none"> <li>• Orange fixe : Niveau de batterie ≤ 20 %</li> <li>• Éteint : Niveau de batterie &gt; 20 %</li> </ul> |
| 3 | Mode de séchage      | Réservoir d'eau sale plein     | 9   | Mode aspiration        |  |
| 4 | Indicateur de charge | Tube obstrué                   | 10  | Mode silencieux        |  |
|   |                      | Brosse à rouleau bloquée       |   |                        |  |
|   |                      | Brosse à rouleau et tube sales |   |                        |  |
|   |                      | 6                              | Progression du séchage/ nettoyage automatique et de la concentration de poussière |                        |  |

### Remarque :

- L'écran d'affichage indiquera un message d'erreur si l'appareil ne fonctionne pas correctement. Veuillez vous reporter au tableau des Messages d'erreur et solutions pour déterminer l'origine du dysfonctionnement.
- À titre de référence uniquement. L'apparence et l'écran d'affichage réels du produit prévalent.

## Installation de la poignée

Insérez verticalement l'extrémité de la poignée dans l'emplacement sur le dessus de l'appareil comme indiqué jusqu'à ce que vous entendiez un déclic.

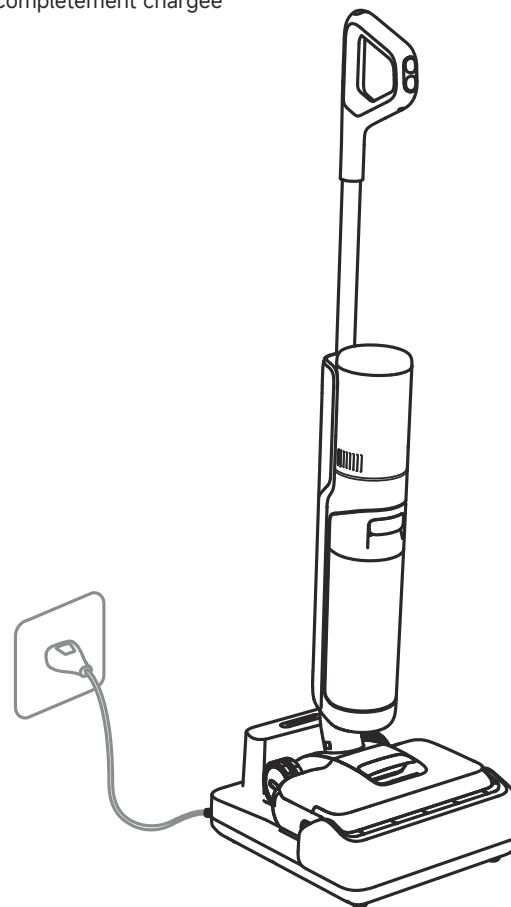


Remarque : Pour le démontage, introduisez un objet dur dans le trou de l'appareil comme indiqué pour enfoncer les contacts et tirez en même temps la poignée vers le haut.

1. Placez la station de chargement contre un mur sur un sol plat et branchez-la à une source d'alimentation. Chargez complètement l'appareil avant la première utilisation.
2. Posez l'appareil sur la station de chargement. Lorsque le chiffre sur l'écran atteint 100, la batterie est complètement chargée.

### ⚡ Indicateur de charge/batterie déchargée

- Clignote lentement en orange : Niveau de batterie  $\leq 20\%$  (en charge)
- Clignote lentement en vert : Niveau de batterie  $> 20\%$  (en charge)
- Vert fixe : Complètement chargée







### Remarque :

- Si l'appareil reste inutilisé pendant 10 minutes après la charge complète, il passe en mode veille. Veuillez redémarrer l'appareil lorsque vous devez l'utiliser à nouveau.
- Pour prolonger sa durée de vie, la batterie se refroidit automatiquement (pendant environ 1 heure) avant d'être rechargée lorsque le produit a fonctionné en continu pendant une longue période. (Le temps de refroidissement est d'environ 1 heure).

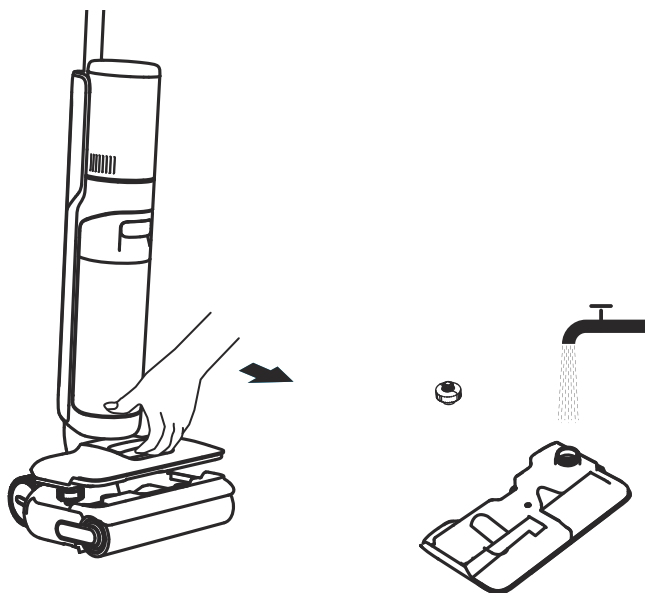
## Changer le mode

Appuyez sur  pour passer d'un mode à l'autre en fonction de vos besoins.

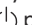

- 
**Mode turbo**  
 Puissance d'aspiration maximum et débit d'eau plus fort pour se débarrasser des taches tenaces sur des sols durs.
- 
**Mode intelligent**  
 L'appareil détectera le niveau de saleté et ajustera intelligemment la puissance d'aspiration et le débit d'eau en conséquence.
- 
**Mode silencieux**  
 L'appareil maintiendra une puissance d'aspiration modérée et un niveau de bruit faible.
- 
**Mode aspiration**  
 Aspiration de saleté sèche uniquement, sans distribution d'eau.

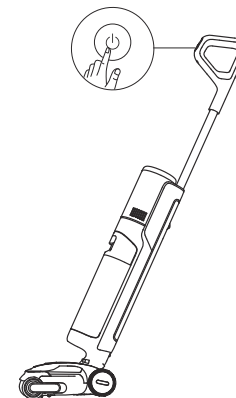
## Remplir le réservoir d'eau propre

Retirez le réservoir d'eau propre. Ouvrez le couvercle du réservoir et remplissez le réservoir avec suffisamment d'eau propre. Réinstallez le réservoir et assurez-vous qu'il est bien enclenché.



## Commencer le nettoyage

Appuyez doucement sur le couvercle de la brosse et inclinez l'appareil vers l'arrière. Appuyez sur  pour commencer le nettoyage. Appuyez sur  pour passer d'un mode à l'autre en fonction de vos besoins.

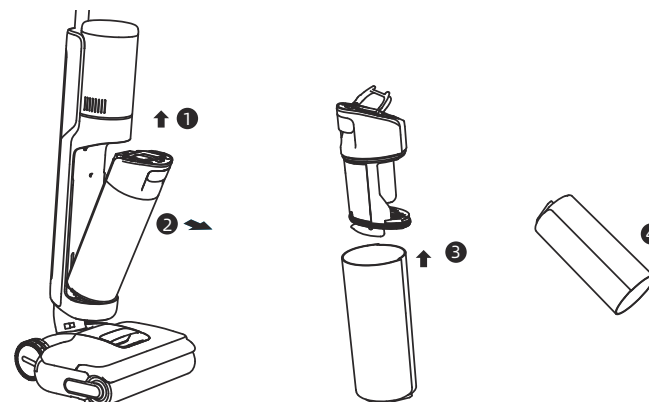


Remarque :



- N'aspirez pas des liquides mousseux.
- Si l'appareil est en position verticale pendant son fonctionnement, la tâche en cours sera suspendue.
- L'appareil convient uniquement au nettoyage de surfaces dures telles que les sols en bois, le marbre et le carrelage.
- Veuillez appuyer la brosse contre le sol lors de l'utilisation.
- Lorsque l'appareil fonctionne, ne le soulevez pas, ne le déplacez pas, ne le mettez pas à plat et ne l'inclinez pas afin d'éviter que de l'eau sale ne s'écoule dans le moteur.

## Vider le réservoir d'eau sale


Tirez la poignée du réservoir pour retirer le réservoir d'eau sale. Retirez le couvercle du réservoir et videz l'eau sale. Réinstallez le réservoir et assurez-vous qu'il est bien enclenché.

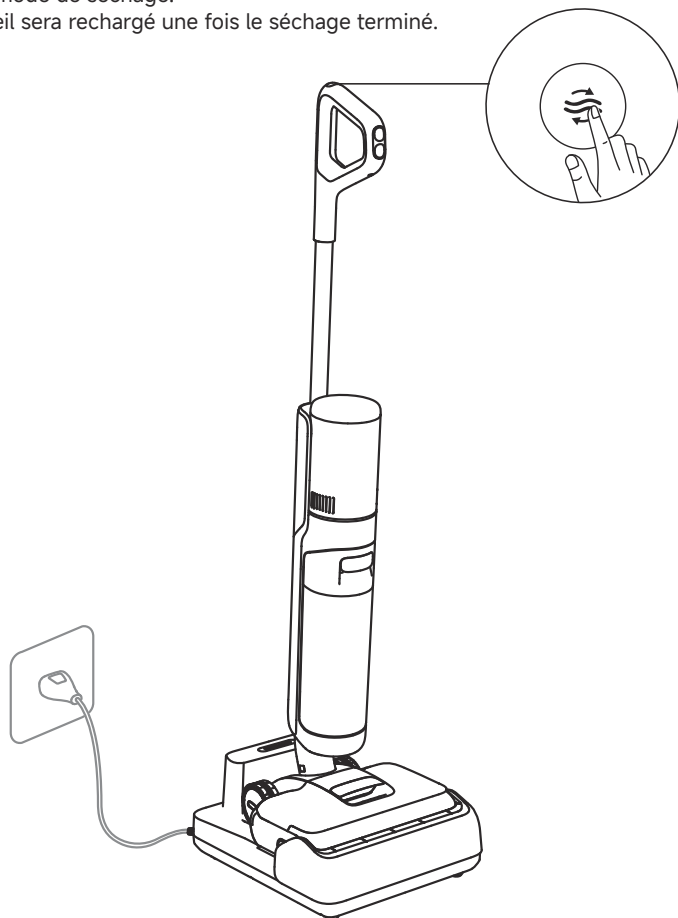


**Mode de nettoyage automatique**

1. Après le nettoyage, replacez rapidement l'appareil sur sa base et veillez à ce que le réservoir d'eau propre soit suffisamment rempli.
2. Appuyez brièvement sur  en haut de la poignée pour démarrer/arrêter le nettoyage automatique. Passez au mode de séchage en fonction des instructions vocales.
3. Une fois le nettoyage automatique terminé, l'appareil passe automatiquement en mode de séchage ; veuillez vider rapidement le réservoir d'eau sale. Pour quitter le mode de séchage, appuyez sur .

**Mode de séchage**

1. Maintenez le bouton de nettoyage automatique  enfoncé pendant 3 secondes pour activer le mode de séchage.
2. L'appareil sera rechargé une fois le séchage terminé.



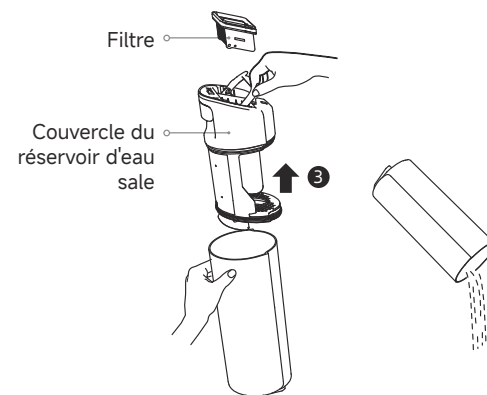
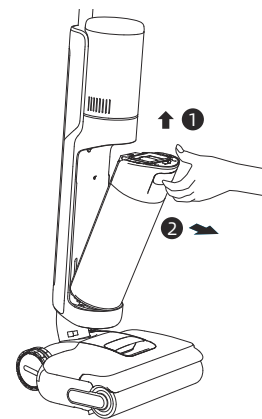
Remarque : Le nettoyage automatique ne peut être activé que lorsque l'appareil est en charge et que le niveau de la batterie est supérieur à 20 %.

**Conseils**

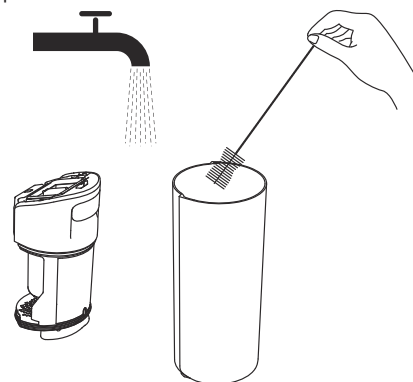
- Éteignez l'appareil avant l'entretien. Veillez à ne pas appuyer accidentellement sur le bouton d'alimentation.
- Remplacez les pièces si nécessaire. Les pièces doivent être remplacées par celles disponibles auprès du fabricant ou de son agent de service.
- Si l'appareil n'est pas utilisé pendant une longue période, chargez-le complètement, débranchez la fiche d'alimentation et rangez-le dans un endroit frais, sec et à l'abri de la lumière du soleil. Chargez l'appareil au moins une fois tous les 3 mois pour éviter une décharge excessive de la batterie.

**Nettoyer le réservoir d'eau sale**

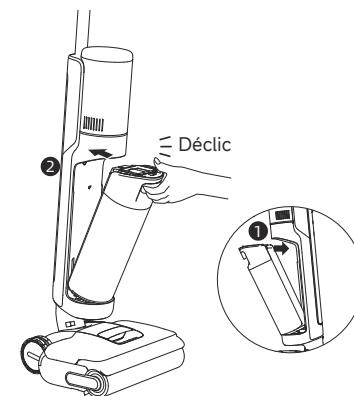
1. Tirez sur la poignée du réservoir pour retirer le réservoir d'eau sale.
2. Retirez le filtre du couvercle du réservoir. Soulevez le couvercle et videz l'eau sale.



3. Rincez le réservoir et le couvercle du réservoir avec de l'eau propre. Utilisez la brosse de nettoyage fournie pour frotter les parois intérieures du réservoir.



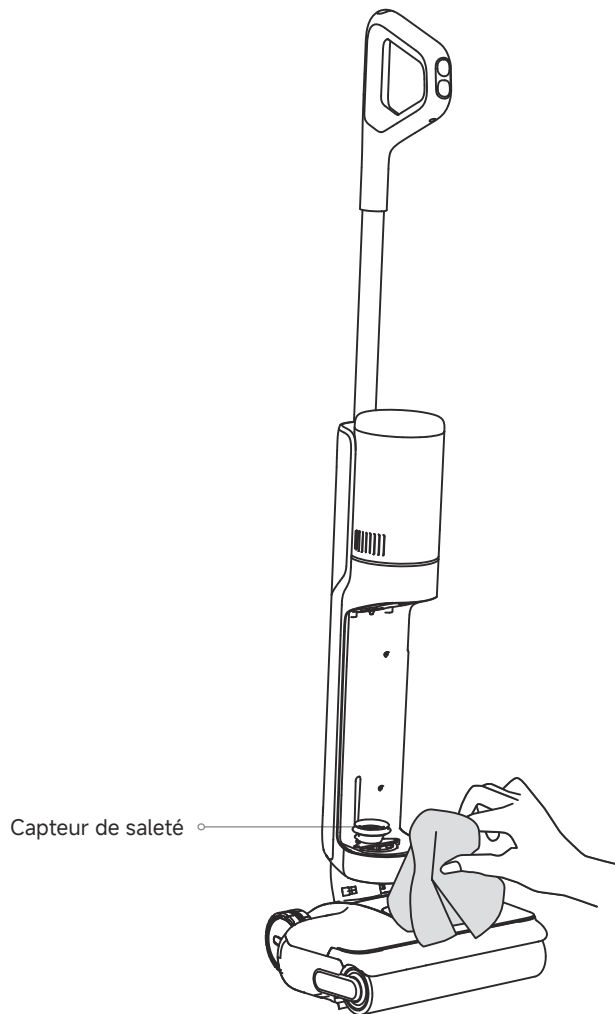
4. Réinstallez le filtre et le couvercle du réservoir. Réinstallez ensuite le réservoir d'eau sale jusqu'à ce que vous entendiez un déclic.

**Remarque :**

- Si le filtre est sale, rincez-le à l'eau claire et séchez-le complètement avant de l'utiliser.
- Il est recommandé de remplacer le filtre tous les 3 à 6 mois.

## Nettoyer le tube et le capteur de saleté

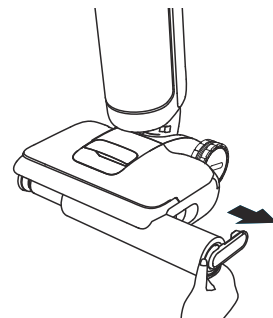
Retirez le réservoir d'eau sale et essuyez avec soin le tube et le capteur de saleté avec un chiffon humide.



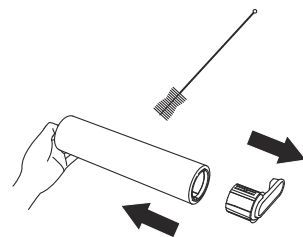
Remarque : Ne rincez pas le tube ou le capteur de saleté à l'eau.

## Nettoyer la brosse

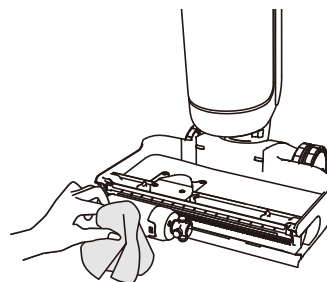
1. Tirez sur la poignée pour retirer la brosse à rouleau.



3. Il est recommandé de remplacer la brosse à rouleau tous les 3 à 6 mois. Retirez la poignée de la brosse à rouleau pour la remplacer par une nouvelle brosse à rouleau, et appuyez fermement pour la mettre en place.



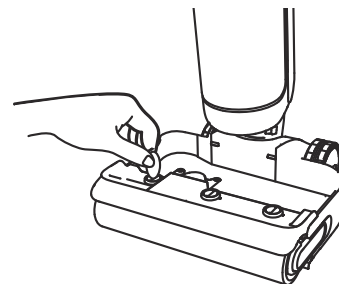
5. Essuyez l'orifice d'aspiration avec un chiffon sec ou humide. Ne le rincez pas avec de l'eau.



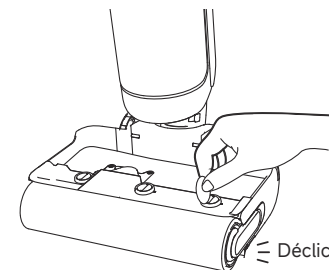
2. Utilisez la brosse de nettoyage fournie pour nettoyer la brosse du rouleau, puis rincez la brosse à rouleau à l'eau claire et séchez-la complètement.



4. Utilisez une pièce de monnaie pour tourner les boutons de verrouillage du couvercle de la brosse à rouleau afin de retirer le couvercle.



6. Réinstallez la brosse à rouleau et la poignée jusqu'à ce que vous entendiez un déclic.



# Dépannage

En cas d'erreur, l'appareil s'arrête de fonctionner. Veuillez vous référer au tableau suivant pour le dépannage. Si le problème persiste, contactez le service à la clientèle.

Problème	Cause possible	Solution
L'appareil ne fonctionne pas.	L'appareil n'a plus de batterie ou son niveau de batterie est faible.	Chargez complètement l'appareil avant de l'utiliser.
	L'appareil est en position verticale.	Inclinez l'appareil vers l'arrière.
	La protection contre la surchauffe est activée en raison d'une obstruction.	Éliminez l'obstruction et attendez que la température redevienne normale.
	Le réservoir d'eau sale est plein.	Videz le réservoir d'eau sale.
	Les pièces ne sont pas correctement installées.	Assurez-vous que toutes les pièces sont correctement en place.
L'appareil se charge lentement.	La température de la batterie est trop basse ou trop élevée.	Attendez que la température de la batterie redevienne normale.
La puissance d'aspiration de l'appareil est faible.	Le filtre est bouché.	Nettoyez le filtre.
	L'orifice d'aspiration ou le tube est bloqué par un corps étranger.	Nettoyez le tube et l'orifice d'aspiration.
Le robot fait un bruit étrange.	Il y a trop d'eau sale dans le réservoir d'eau sale.	Videz le réservoir d'eau sale.
	L'orifice d'aspiration est bloqué.	Éliminez tout blocage dans l'orifice d'aspiration.
L'indicateur de concentration de poussière est rouge fixe.	Le capteur de saleté doit être nettoyé.	Le capteur de saleté se trouve dans le tube. Suivez les consignes de nettoyage.
	La concentration de la solution de nettoyage est trop élevée.	Diluez la solution de nettoyage avec de l'eau aux proportions recommandées.
	La solution de nettoyage d'une autre marque a produit une grande quantité de mousse.	Utilisez uniquement la solution de nettoyage officiellement approuvée.
L'écran d'affichage ne s'allume pas lors de la charge.	La fiche de la station de chargement n'est pas insérée correctement dans la prise électrique.	Assurez-vous que la fiche de la station de chargement est bien insérée.
	L'appareil n'est pas placé correctement sur la station de chargement.	Assurez-vous que l'appareil est placé correctement sur la station de chargement.
Aucune eau ne sort de l'appareil.	Le réservoir d'eau propre n'est pas correctement installé ou le niveau d'eau dans le réservoir d'eau propre est insuffisant.	Réinstallez ou remplissez le réservoir d'eau propre.
	Il faut 30 secondes pour humidifier la brosse à rouleau.	Vérifiez à nouveau après un certain temps.






# Dépannage

La sortie d'air présente une fuite d'eau.	Un choc ou une traction brutale provoque l'entrée d'eau dans le moteur.	Déplacez doucement l'appareil d'avant en arrière lorsque vous le mettez en marche.
	Le filtre n'est pas complètement sec après avoir été nettoyé.	Séchez complètement le filtre avant de l'utiliser.
Échec du nettoyage automatique.	La brosse à rouleau est peut-être bloquée par de gros débris.	Retirez le couvercle de la brosse à rouleau pour vérifier et nettoyer la brosse à rouleau.
	L'appareil n'est pas placé correctement sur la station de chargement.	Assurez-vous que l'appareil est chargé avant d'activer la fonction de nettoyage automatique.
	Le nettoyage automatique ne peut pas être activé si le niveau de la batterie est inférieur à 20 %.	Le nettoyage automatique ne peut être activé que lorsque l'appareil est en charge et que le niveau de la batterie est supérieur à 20 %.
	Le réservoir d'eau sale est plein.	Videz le réservoir d'eau sale.
Les performances de séchage ne sont pas satisfaisantes ou un bruit étrange se produit pendant le séchage.	Le réservoir d'eau propre n'est pas installé en place ou le niveau d'eau dans le réservoir d'eau propre est insuffisant.	Réinstallez ou remplissez le réservoir d'eau propre.
	La sortie et l'entrée d'air de la station de chargement sont peut-être bloquées.	Vérifiez et éliminez l'obstruction de la sortie et de l'entrée d'air.

Pour obtenir des services supplémentaires, veuillez nous contacter via [aftersales@dreame.tech](mailto:aftersales@dreame.tech)  
Site Internet : <https://global.dreametech.com>

# Messages d'erreur et solutions

Si l'appareil ne fonctionne pas correctement, l'écran affichera un message d'erreur. Veuillez vous référer au tableau ci-dessous pour corriger le problème.

Icône d'erreur	Cause possible	Solution
	La quantité d'eau propre est insuffisante.	Remplissez le réservoir d'eau propre.
	Le réservoir d'eau sale est plein.	Videz le réservoir d'eau sale.
	La brosse à rouleau est bloquée.	Nettoyez la brosse à rouleau.
	Le tube est obstrué.	Reportez-vous à la section Entretien et maintenance pour nettoyer le tube et le capteur de saleté (sous le réservoir d'eau sale).
	La brosse à rouleau et le tube sont sales.	Reposez l'appareil sur la base pour le nettoyage automatique.

Code d'erreur	Cause possible	Solution
E1-E7	Dysfonctionnement	Redémarrez l'appareil. Si le problème persiste, contactez le service à la clientèle.
H1-H6		
H7	Surchauffe de la batterie	Attendez que la température de la batterie redevienne normale.

# Caractéristiques techniques

Aspirateur			
Modèle	HHR44A	Puissance nominale	400 W
Tension nominale	21,6 V ---	Tension de charge	27 V ---
Capacité du réservoir d'eau propre	780 mL	Capacité du réservoir d'eau sale	700 mL
Temps de charge	Environ 4 h	Autonomie	50 min (mode silencieux)
Station de chargement			
Modèle	HCBAB	Entrée de puissance nominale*	670 W
Entrée nominale	220-240 V ~ 50-60 Hz	Sortie nominale	27 V --- 1,6 A

\* La puissance d'entrée nominale correspond à la puissance mesurée pendant un cycle normal d'entrée en mode de séchage.

\* Lorsque l'appareil est complètement rechargé, il passe automatiquement en mode veille après 10 minutes, avec une consommation d'énergie de 0,49 W.

# Retrait et élimination de la batterie

La batterie lithium-ion intégrée contient des substances dangereuses pour l'environnement. Avant d'éliminer la batterie, assurez-vous qu'elle est enlevée par un technicien qualifié et déposée dans un centre de recyclage approprié.

- La batterie doit être retirée de l'appareil avant d'être mise au rebut.
- L'appareil doit être débranché de la source d'alimentation lors du retrait de la batterie.
- La batterie doit être mise au rebut en toute sécurité.

## ATTENTION :

- Avant d'enlever la batterie, débranchez l'appareil et déchargez au maximum la batterie.
- Les batteries non utilisées doivent être mises au rebut dans un centre de recyclage approprié.
- Évitez d'exposer la batterie à des températures élevées afin d'éviter tout risque d'explosion.
- Dans des conditions abusives, la batterie peut laisser échapper du liquide. En cas de contact, rincez à l'eau et consultez un médecin.

## Guide de retrait

1. Utilisez des outils pour retirer l'écran d'affichage.
2. Utilisez des outils pour retirer les vis qui fixent le couvercle de la batterie, puis faites levier pour ouvrir le couvercle.
3. Débranchez les bornes reliant la batterie à la carte mère, puis retirez la batterie.

# Istruzioni Importanti per la Sicurezza

Leggere attentamente questo manuale prima dell'uso e conservarlo per riferimento futuro. Quando si utilizza un apparecchio elettrico, è necessario seguire sempre le precauzioni di base, comprese le seguenti:

LEGGERE TUTTE LE ISTRUZIONI PRIMA DI UTILIZZO (QUESTO APPARECCHIO). La mancata osservanza delle avvertenze e delle istruzioni può provocare scosse elettriche, incendi e/o lesioni gravi.

**AVVERTENZA** — Per ridurre il rischio di incendi, scosse elettriche o lesioni:

## Restrizioni di utilizzo

- Questo prodotto non deve essere utilizzato da bambini di età inferiore a 8 anni, né da persone con deficit fisici, sensoriali, cognitivi, esperienza o conoscenza limitata, senza la supervisione di un genitore o tutore, al fine di garantire la sicurezza del funzionamento ed evitare eventuali rischi. La pulizia e la manutenzione non devono essere eseguite da bambini senza supervisione.
- La pellicola di plastica può essere pericolosa. Per evitare il pericolo di soffocamento, tenerla lontana dalla portata dei bambini, che non devono usare il dispositivo come giocattolo.
- Utilizzare solo in interni, su superfici non rivestite di tappeto come vinile, piastrelle, legno sigillato, ecc. Fare attenzione a non calpestare oggetti sciolti o bordi di tappeti. Lo stallo della spazzola può provocare un guasto prematuro della cinghia.
- Utilizzare solo come descritto in questa guida per l'utente. Utilizzare solo gli accessori consigliati dal produttore.
- Non esporre l'apparecchio a fiamme o temperature eccessive. L'esposizione al fuoco o ad una temperatura eccessiva può provocare un'esplosione.
- Non usare in ambienti estremamente caldi o freddi (sotto 5 °C/41 °F o sopra 40 °C/104 °F). Ricaricare l'apparecchio a temperature superiori a 5 °C/41 °F e inferiori a 40 °C/104 °F.
- Non immergere l'apparecchio in liquidi.
- Non usare per raccogliere liquidi infiammabili o combustibili, come benzina. Non usare in aree dove possono essere presenti liquidi infiammabili o combustibili.
- Non mettere nessun oggetto nelle aperture. Non usare l'apparecchio quando una qualsiasi apertura è ostruita; mantieni esente da polvere, lanugine, capelli e qualsiasi cosa possa inibire il flusso d'aria.
- Non raccogliere materiale tossico (candeggina a base di cloro, ammoniaca, detergente per scarichi, ecc.). Non raccogliere oggetti duri o appuntiti come vetro, chiodi, viti, monete, ecc.
- Non utilizzare l'apparecchio in uno spazio chiuso pieno di vapori emessi da vernici a base di olio, diluenti per vernici, alcune sostanze antitarre, polvere infiammabile o altri vapori esplosivi o tossici. Non raccogliere nulla che stia bruciando o fumando, come sigarette, fiammiferi o cenere calda.
- Non utilizzarlo senza filtri in posizione.
- Tenere i capelli, i vestiti larghi, le dita e tutte le parti del corpo lontani dalle aperture e dalle parti in movimento dell'apparecchio e dei suoi accessori.
- Tenere i cavi di messa a terra lontani dall'apparecchio durante l'uso, poiché un pericolo potrebbe verificarsi se l'apparecchio passa su un cavo di alimentazione.
- Prestare particolare attenzione durante la pulizia delle scale.

# Istruzioni Importanti per la Sicurezza

## Manutenzione e Conservazione

- Impedire l'avviamento accidentale. Assicurarsi che l'interruttore sia in posizione OFF prima di sollevare o trasportare l'apparecchio. Trasportare l'apparecchio con il dito sull'interruttore o mettere sotto tensione l'apparecchio con l'interruttore acceso può provocare incidenti.
- Assicurarsi che l'apparecchio sia posizionato su una superficie orizzontale. Non utilizzare l'apparecchio nella stessa posizione se è dotato di spazzola rotante e il manico non è completamente in posizione verticale. Non riporre l'elettrodomestico in un luogo in cui potrebbe gelare.
- Spegnerne e scollegare l'apparecchio quando non è in uso, prima di pulirlo, manutenzionarlo o ripararlo, e prima di collegarlo o scollegarlo con una spazzola mobile.
- Non utilizzare un apparecchio danneggiato o modificato. Le batterie danneggiate o modificate possono presentare un comportamento imprevedibile con conseguenti incendi, esplosioni o rischio di lesioni.
- Non modificare o tentare di riparare l'apparecchio salvo quanto indicato nelle istruzioni per l'uso e la cura.
- Non usare l'apparecchio con un accessorio danneggiato (es: Base di ricarica, Cavo di alimentazione, ecc.). Se l'accessorio è danneggiato, deve essere sostituito dal produttore, dal suo agente di servizio o da persone persona con qualifica simile al fine di evitare pericoli.
- Far eseguire la manutenzione da un tecnico qualificato utilizzando solo parti di ricambio identiche. Ciò garantirà il mantenimento della sicurezza del prodotto.
- Se il cavo di alimentazione è danneggiato, deve essere sostituito dal produttore, dal suo agente di assistenza o da persone analogamente qualificate, al fine di evitare pericoli.

## Batteria e Ricarica

- Ai fini della ricarica dell'apparecchio, usare solo la base di ricarica fornita con questo apparecchio. Usare solo con base di ricarica HCBAB.
- Seguire tutte le istruzioni per la ricarica e non ricaricare l'apparecchio al di fuori dell'intervallo di temperatura specificato nella batteria, poiché ciò aumenta il rischio di incendio.
- La base di ricarica è dotata di funzione di asciugatura ed è adatta solo per asciugare la spazzola di questo apparecchio.
- Tenere il cavo della base di ricarica lontano da superfici riscaldate. Non maneggiare la spina della base di ricarica o l'apparecchio con le mani bagnate. Per scollegare, afferrare la spina della base di ricarica, anziché il cavo.
- Non tirare o trasportare la base di ricarica tramite il cavo, usare il cavo come maniglia, chiudere la porta sul cavo o tirare il cavo attorno a spigoli vivi o angoli.
- Non utilizzare batterie non ricaricabili. In caso contrario, la batteria agli ioni di litio potrebbe prendere fuoco. Questo apparecchio contiene batterie che possono essere sostituite solo da tecnici qualificati o dal servizio di assistenza.
- La batteria al litio contiene sostanze pericolose per l'ambiente. Prima di smaltire l'apparecchio, rimuovere prima il pacco batteria, quindi smaltirlo o riciclarlo in conformità con le leggi e le normative locali del paese o della regione in cui è usato.

# Istruzioni Importanti per la Sicurezza

- L'apparecchio deve essere scollegato dall'alimentazione quando si rimuove la batteria. Tenere le batterie fuori dalla portata dei bambini. Non mettere mai le batterie in bocca. In caso di ingestione, contattare il medico o il controllo antiveneni locale.
- In condizioni abusive, non contattare mai la batteria da cui potrebbe essere espulso il liquido. In caso di contatto accidentale, sciacqua con acqua. Se il liquido viene a contatto con gli occhi, consultare immediatamente un medico. Il liquido espulso dalla batteria può causare irritazioni o ustioni.
- La base di ricarica è in grado di caricare il pacco batteria a 6 celle da 4000 mAh. Questa base di ricarica non deve essere utilizzata per caricare batterie non ricaricabili. In caso contrario, la batteria agli ioni di litio potrebbe prendere fuoco.

## Simboli



Apparecchiature di classe II



Fusibile in miniatura temporizzato dove T 3.15A è il simbolo della caratteristica tempo/corrente



Solo per uso interno



Leggere il manuale d'uso



Attenzione: superficie calda



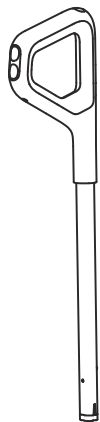
Informazioni RAEE

Tutti i prodotti contrassegnati da questo simbolo sono rifiuti di apparecchiature elettriche ed elettroniche (RAEE in base alla direttiva 2012/19/UE) che non devono essere smaltiti assieme a rifiuti domestici non differenziati. Al contrario, è necessario proteggere l'ambiente e la salute umana consegnando i rifiuti a un punto di raccolta autorizzato al riciclaggio di rifiuti di apparecchiature elettriche ed elettroniche, predisposto dalla pubblica amministrazione o dalle autorità locali. Lo smaltimento e il riciclaggio corretti aiutano a prevenire conseguenze potenzialmente negative all'ambiente e alla salute umana. Contattare l'installatore o le autorità locali per ulteriori informazioni sulla sede e per i termini e le condizioni di tali punti di raccolta.

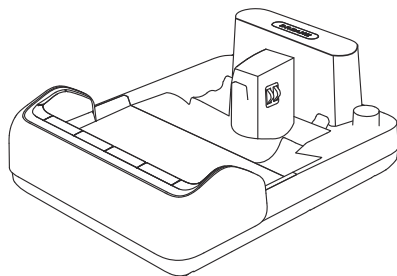
Con la presente, Dreame Trading (Tianjin) Co., Ltd. dichiara che questa apparecchiatura è conforme alle direttive, alle norme europee e agli emendamenti applicabili. Il testo completo della dichiarazione di conformità dell'UE è disponibile al seguente indirizzo Internet: <https://global.dreametech.com>

Per un manuale elettronico dettagliato, visitare il sito <https://global.dreametech.com/pages/user-manuals-and-faqs>

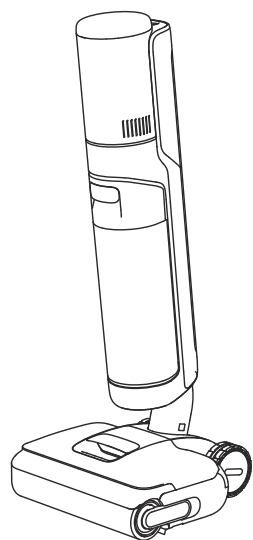
Lista Imballaggio



Maniglia



Base di ricarica



Dispositivo Principale



Spazzola a rullo di ricambio

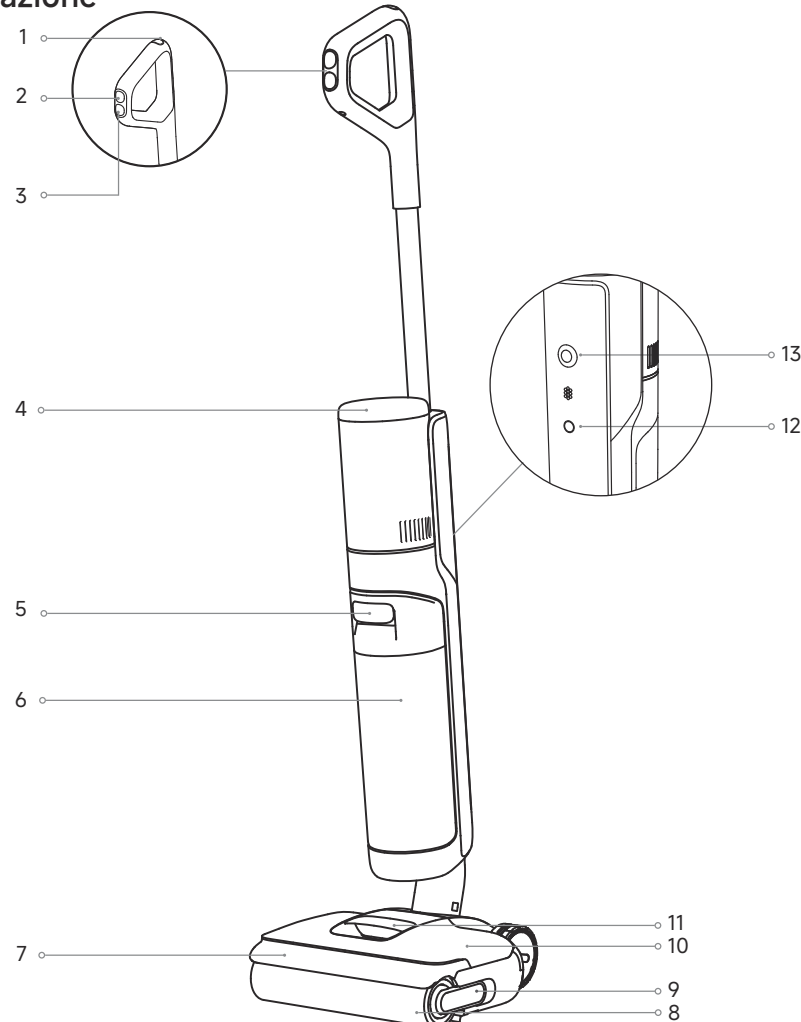


Spazzola per la pulizia



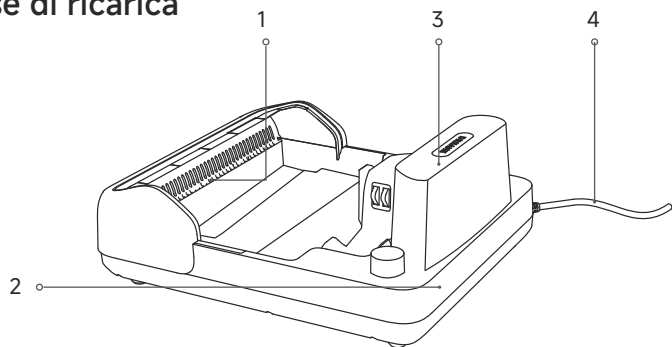
Filtro di ricambio

Aspirazione



- |   |                                    |  |
|---|------------------------------------|--|
| 1  Pulsante di Autopulizia                | 6 Serbatoio dell'acqua usata       | 11 Maniglia del serbatoio dell'acqua pulita                                |
| 2  Interruttore di Modalità               | 7 Coperchio della spazzola a rullo | 12 Pulsante Vocale   |
| 3  Interruttore di alimentazione          | 8 Spazzola a rullo                 | • Premere brevemente per attivare il messaggio vocale o regolare il volume |
| 4 Schermo di visualizzazione              | 9 Maniglia della spazzola a rullo  | • Tenere premuto per 3 secondi per passare da una lingua all'altra.        |
| 5 Maniglia del serbatoio dell'acqua usata | 10 Serbatoio dell'Acqua Pulita     | 13 Ruota omnidirezionale   |

**Base di ricarica**



- 1 Uscita di asciugatura dell'aria
- 2 Vano per lo stoccaggio degli accessori
- 3 Contatti di Ricarica
- 4 Cavo di Alimentazione

**Schermo di visualizzazione**



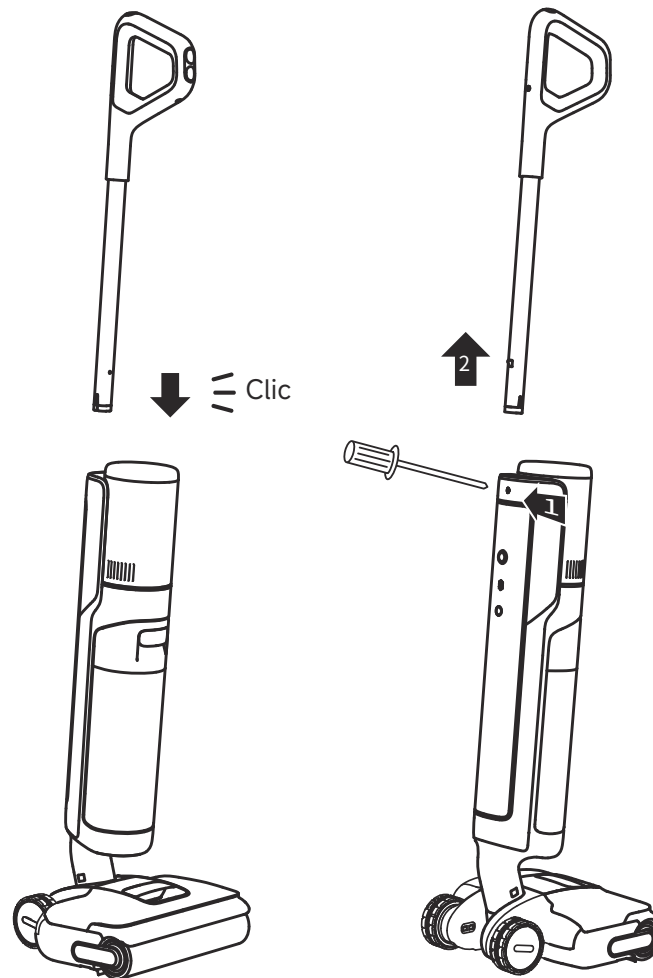
- |                           |  |   |
|---------------------------|--|---|
| 1 Modalità Turbo          | 5 Messaggi di Errore   | 7 Modalità di Autopulizia                       |
| 2 Modalità intelligente   | ☹️ Acqua pulita insufficiente  | 8 Indicatore di Batteria Bassa                  |
| 3 Modalità di asciugatura | 🚰 Serbatoio dell'acqua usata pieno                                   | • Arancione fisso: Livello della batteria ≤ 20% |
| 4 Indicatore di Ricarica  | 🚫 Tubo ostruito  | • Spento: Livello della batteria > 20%          |
|                           | 🌀 La spazzola a rullo è bloccata                                     | 9 Modalità di aspirazione                       |
|                           | 🌀🌀 Spazzola a rullo e tubo sporchi                                   | 10 Modalità silenziosa                          |
|                           | 6 Concentrazione della polvere e avanzamento Autopulizia/Asciugatura |   |

**Nota:**

- Se l'apparecchio non funziona correttamente, lo schermo visualizza un messaggio di errore. Per trovare la soluzione, consultare la tabella dei messaggi di errore e delle soluzioni.
- Solo per riferimento. L'aspetto effettivo e la schermata di visualizzazione del prodotto fanno fede.

**Installazione della maniglia**

Inserire l'estremità della maniglia in verticale nella fessura sulla parte superiore dell'apparecchio, come indicato, fino a sentire uno scatto.

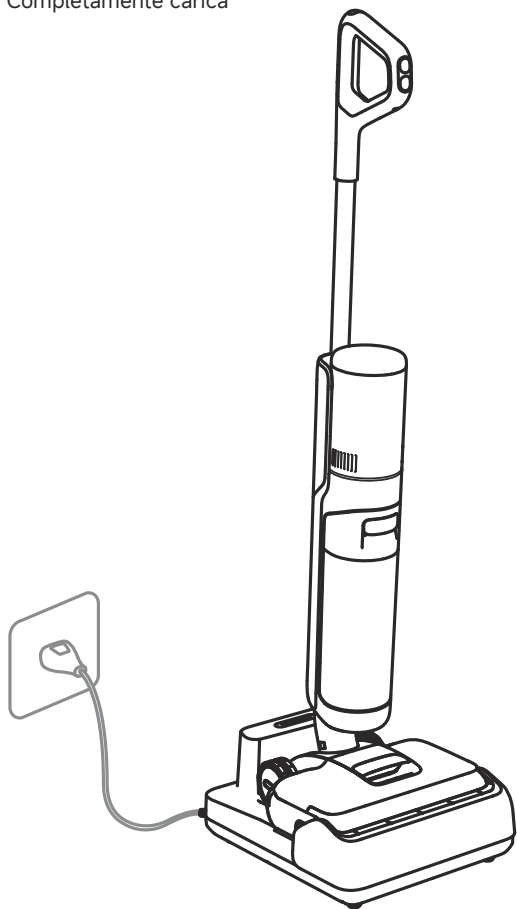


Nota: Per lo smontaggio, inserire un oggetto duro nel foro dell'apparecchio come indicato per premere sui contatti e tirare contemporaneamente l'impugnatura verso l'alto.

1. Posizionare la base di ricarica contro una parete su un terreno pianeggiante e collegarla a una fonte di alimentazione. Ricaricare completamente l'apparecchio prima del primo uso.
2. Posizionare l'apparecchio sulla base di ricarica. Quando il numero sul display raggiunge 100, la batteria è completamente carica.

#### ⚡ Indicatore di carica/Batteria scarica

- Rosso intermittente: Livello batteria  $\leq$  20% (in carica)
- Verde intermittente: Livello batteria  $>$  20% (in carica)
- Verde fisso: Completamente carica



#### Nota:

- Se non si verificano operazioni entro 10 minuti dalla ricarica completa, l'apparecchio entra in modalità di riposo. Riavviare l'apparecchio quando è necessario utilizzarlo di nuovo.
- Per prolungarne la durata, la batteria si raffredda automaticamente (per circa 1 ora) prima di essere ricaricata dopo che il prodotto è rimasto in funzione per lungo tempo. (il tempo di raffreddamento è di circa 1 ora).

## Cambio modalità

Premere  per cambiare modalità in base alle proprie esigenze.



**Modalità Turbo**  
Massima potenza di aspirazione e maggiore flusso d'acqua per le macchie più ostinate su pavimenti duri.



**Modalità intelligente**  
L'apparecchio rileva il livello di macchia e regola in modo intelligente la potenza di aspirazione e il flusso d'acqua.



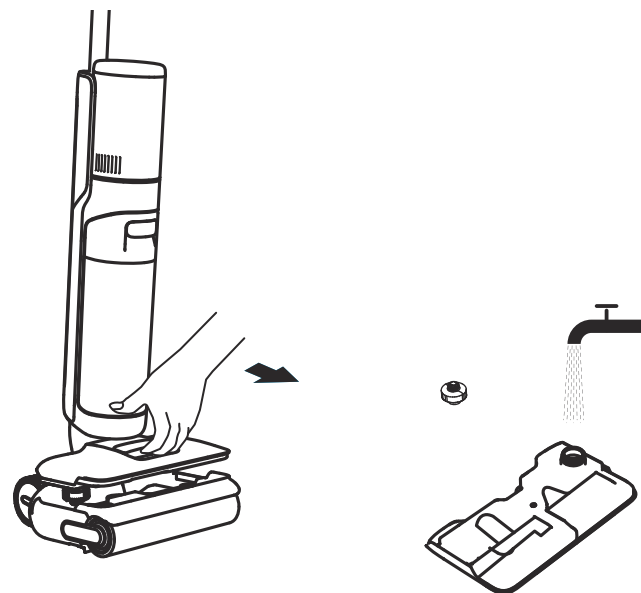
**Modalità silenziosa**  
L'apparecchio mantiene una moderata potenza di aspirazione a un basso livello di rumorosità.



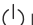

**Modalità di aspirazione**  
Solo aspirazione a secco senza erogazione di acqua.

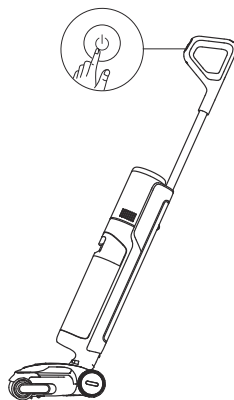
## Riempire il serbatoio dell'acqua pulita

Rimuovere il serbatoio dell'acqua pulita. Aprire il coperchio del serbatoio e riempirlo con una quantità sufficiente di acqua pulita. Rimontare il serbatoio e accertarsi che scatti in posizione.



**Avvio della pulizia**

Salire delicatamente sulla spazzola e reclinare l'apparecchio all'indietro. Premere  per avviare la pulizia. Premere  per cambiare modalità in base alle proprie esigenze.

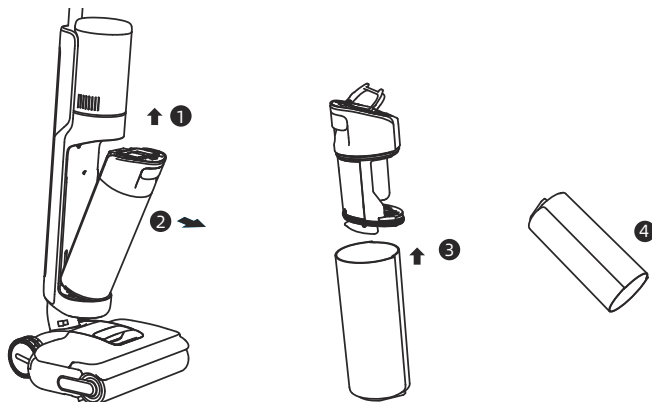




Nota:

- Non usare per aspirare liquidi schiumosi.
- Se l'apparecchio è in posizione verticale durante il funzionamento, il compito corrente sarà sospeso.
- L'apparecchio è adatto solo per la pulizia di superfici dure come pavimenti in legno, marmo e piastrelle.
- Durante l'utilizzo, premere la spazzola contro il pavimento.
- Quando l'apparecchio è in funzione, non sollevarlo, spostarlo, appoggiarlo o inclinarlo per evitare che l'acqua sporca penetri nel motore.


**Svuotare il serbatoio dell'acqua usata**

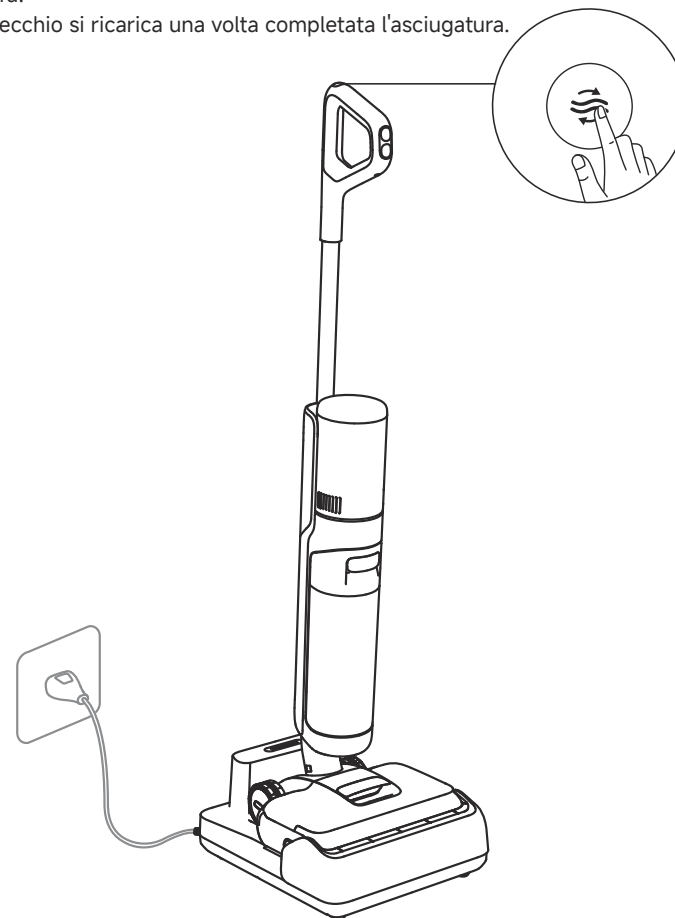
Tirare la maniglia del serbatoio per estrarre il serbatoio dell'acqua usata. Rimuovere il coperchio del serbatoio e versare l'acqua usata. Rimontare il serbatoio e assicurarsi che scatti in posizione.

**Modalità di Autopulizia**

1. Dopo la pulizia, riportare prontamente l'apparecchio alla base e assicurarsi che il serbatoio dell'acqua pulita sia sufficientemente pieno.
2. Premere brevemente  sulla parte superiore della maniglia per avviare/arrestare l'autopulizia. Commutare la modalità di asciugatura seguendo le indicazioni vocali.
3. Al termine dell'autopulizia, l'apparecchio avvierà automaticamente il processo di asciugatura; svuotare tempestivamente il serbatoio dell'acqua usata. Per uscire dalla modalità di asciugatura, premere .

**Modalità di asciugatura**

1. Tenere premuto il pulsante di autopulizia  per 3 secondi per attivare la modalità di asciugatura.
2. L'apparecchio si ricarica una volta completata l'asciugatura.



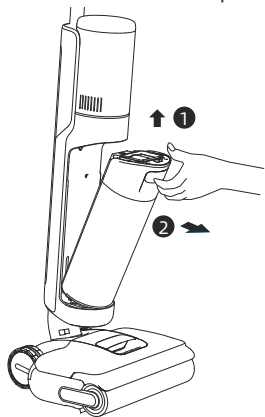
Nota: La funzione di autopulizia può essere attivata solo quando l'apparecchio è in carica e il livello della batteria è superiore al 20%.

### Suggerimenti

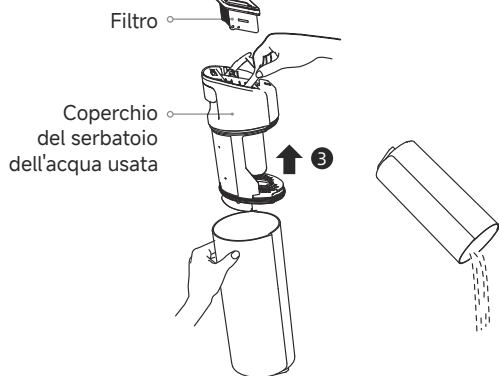
- Spegnere l'apparecchio prima di effettuare la manutenzione. Fare attenzione a non premere accidentalmente il pulsante di accensione.
- Le parti devono essere sostituite se necessario, si prega di utilizzare le parti designate dalla fabbrica originale per evitare danni al prodotto a causa di inadeguatezza.
- Se l'apparecchio rimane inutilizzato per un periodo prolungato, caricarlo completamente, staccare la spina e conservarlo in un luogo fresco e asciutto, lontano dalla luce solare diretta. Caricare l'apparecchio almeno una volta ogni 3 mesi per evitare che la batteria si scarichi eccessivamente.

### Pulire il serbatoio dell'acqua usata

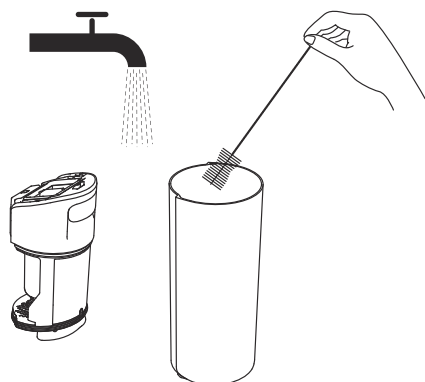
1. Tirare la maniglia del serbatoio per rimuovere il serbatoio dell'acqua usata.



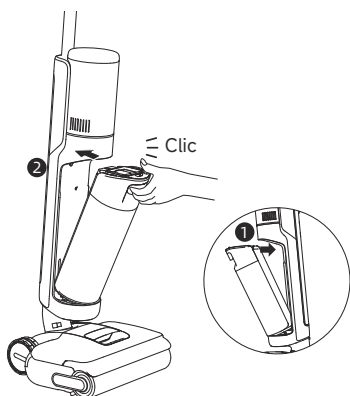
2. Rimuovere il filtro dal coperchio del serbatoio. Sollevare il coperchio e versare l'acqua usata.



3. Sciacquare il serbatoio e il coperchio con acqua pulita. Utilizzare la spazzola di pulizia in dotazione per strofinare le pareti interne del serbatoio.



4. Rimontare il filtro e il coperchio del serbatoio. Quindi rimontare il serbatoio dell'acqua usata fino a sentire uno scatto.

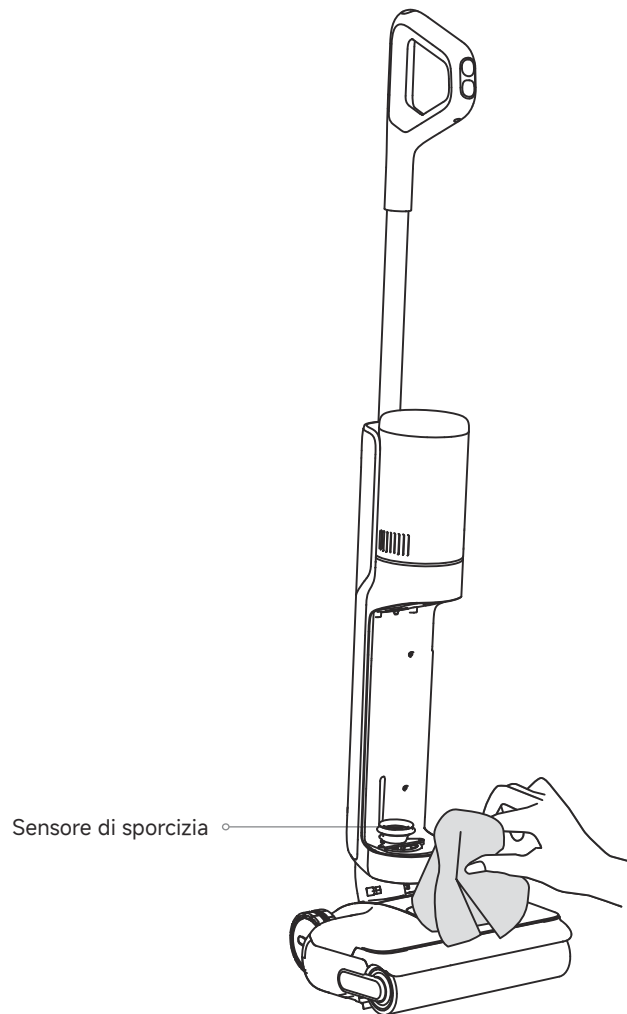


Nota:

- Se il filtro è sporco, sciacquarlo con acqua pulita e asciugarlo completamente prima dell'uso.
- Si consiglia di sostituire il filtro ogni 3-6 mesi.

### Pulizia del tubo e del sensore di sporcizia

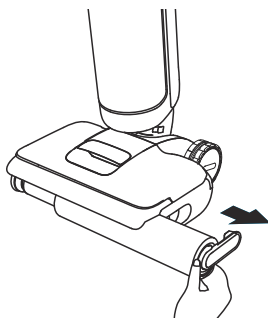
Rimuovere il serbatoio dell'acqua usata e pulire delicatamente il tubo e il sensore di sporcizia con un panno umido.



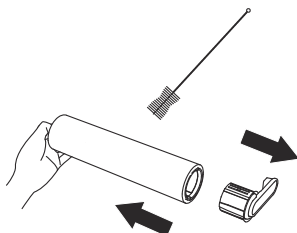
Nota: Non pulire il tubo o il sensore di sporcizia con acqua.

### Pulizia del gruppo spazzole

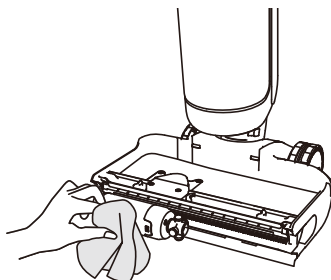
1. Tirare l'impugnatura per rimuovere la spazzola a rullo.



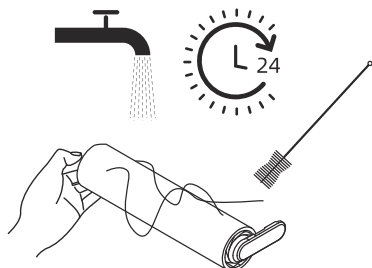
3. Si consiglia di sostituire la spazzola a rullo ogni 3-6 mesi. Rimuovere la maniglia della spazzola a rullo e sostituirla con una nuova spazzola a rullo e premerla saldamente in posizione.



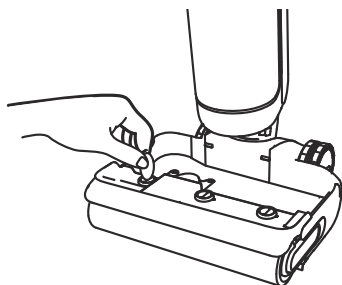
5. Pulire la bocca di aspirazione con un panno asciutto o un fazzoletto di carta bagnato. Non risciacquare.



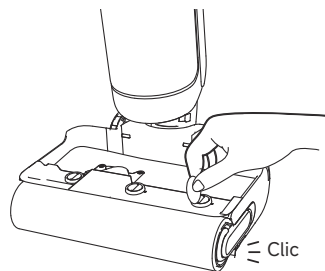
2. Utilizzare la spazzola di pulizia in dotazione per pulire la spazzola a rullo, quindi sciacquarla con acqua pulita e asciugarla completamente.



4. Utilizzare una moneta per ruotare le manopole di bloccaggio sul coperchio della spazzola a rullo per staccare il coperchio.



6. Rimontare la spazzola a rullo fino a sentire uno scatto.



## Risoluzione dei problemi

Se si verifica un errore, l'apparecchio smetterà di funzionare. Per favore fare riferimento alla tabella seguente per la risoluzione dei problemi. Se il problema persiste, per favore contatta il servizio clienti.

Problema	Possibile causa	Soluzione
L'apparecchio non funziona.	La batteria dell'apparecchio è scarica o il livello della batteria è basso.	Caricare completamente l'apparecchio prima dell'utilizzo.
	L'apparecchio è in posizione verticale.	Reclinare l'apparecchio all'indietro.
	Protezione da surriscaldamento attivata da un blocco.	Eliminare il blocco e attendere che la temperatura ritorni normale.
	Il serbatoio dell'acqua usata è pieno.	Svuotare il serbatoio dell'acqua usata.
L'apparecchio si ricarica lentamente.	Le parti non sono in posizione corretta.	Assicurarsi che tutte le parti siano posizionate correttamente.
	La temperatura della batteria è troppo bassa o troppo alta.	Attendi finché la temperatura della batteria non torna normale.
La potenza di aspirazione dell'apparecchio è debole.	Il filtro è ostruito.	Pulire il filtro.
	La bocca o il tubo di aspirazione sono bloccati da un oggetto estraneo.	Pulire il tubo e la bocca di aspirazione.
Il motore fa uno strano rumore.	C'è troppa acqua sporca nel serbatoio dell'acqua usata.	Svuotare il serbatoio dell'acqua usata.
	La bocca di aspirazione principale è ostruita.	Eliminare qualsiasi blocco nella bocca di aspirazione principale.
L'indicatore di concentrazione della polvere è rosso fisso.	Il sensore di sporcizia è sporco.	Il sensore di sporcizia si trova nel tubo. Seguire le istruzioni per la pulizia.
	La concentrazione della soluzione detergente è troppo alta.	Diluire la soluzione detergente con acqua nel rapporto raccomandato.
	Una soluzione detergente di terzi ha causato una grande quantità di schiuma.	Utilizzare solo la soluzione detergente ufficialmente approvata.
Lo schermo di visualizzazione non si accende durante la carica.	La spina della base di ricarica non è inserita correttamente nella presa elettrica.	Assicurarsi che la spina della base di ricarica sia inserita in posizione.
	L'apparecchio non è posizionato correttamente sulla base di ricarica.	Assicurarsi che l'apparecchio sia posizionato correttamente sulla base di ricarica.
Non esce acqua dall'apparecchio.	Il serbatoio dell'acqua pulita non è installato correttamente oppure l'acqua nel serbatoio è insufficiente.	Reinstallare o riempire il serbatoio dell'acqua pulita.
	Ci vogliono 30 secondi per inumidire la spazzola a rullo.	Ricontrollare dopo un po'.






## Risoluzione dei problemi

Lo sfiato dell'aria perde acqua.	Una collisione o una forte trazione provoca l'ingresso di acqua nel motore.	Muovi delicatamente l'apparecchio avanti e indietro mentre è acceso.
	Il filtro non è completamente asciutto dopo essere stato pulito.	Asciuga completamente il filtro prima dell'uso.
Autopulizia non riuscita.	La spazzola a rullo potrebbe essere inceppato da particelle grandi.	Rimuovere il coperchio della spazzola a rullo per controllare e pulire il rullo stesso.
	L'apparecchio non è posizionato correttamente sulla base di ricarica.	Assicurarsi che l'apparecchio sia in ricarica prima di attivare la funzione di autopulizia.
	L'autopulizia non può essere avviata se il livello della batteria è inferiore al 20%.	L'autopulizia può essere attivata solo quando l'apparecchio è in carica e il livello della batteria è superiore al 20%.
	Il serbatoio dell'acqua usata è pieno.	Svuotare il serbatoio dell'acqua usata.
	Il serbatoio dell'acqua pulita non è installato in posizione, oppure l'acqua nel serbatoio è insufficiente.	Reinstallare o riempire il serbatoio dell'acqua pulita.
Scarse prestazioni di asciugatura o strani rumori durante l'asciugatura.	L'uscita dell'aria e l'ingresso dell'aria della base di ricarica potrebbero essere bloccati.	Controllare e rimuovere il blocco dell'uscita dell'aria e dell'ingresso dell'aria.

Per servizi aggiuntivi, è possibile contattarci tramite [aftersales@dreame.tech](mailto:aftersales@dreame.tech)  
Sito Web: <https://global.dreame.tech>

## Prompt di Errore e Soluzioni

Se l'apparecchio non funziona correttamente, il display visualizza un messaggio di errore. Per trovare la soluzione, consultare la tabella sottostante.

Icona errore	Possibile causa	Soluzione
	L'acqua pulita è insufficiente.	Riempire il serbatoio dell'acqua pulita.
	Serbatoio dell'acqua usata pieno.	Svuotare il serbatoio dell'acqua usata.
	La spazzola a rullo è bloccata.	Pulire la spazzola a rullo.
	Il tubo è ostruito.	Per la pulizia del tubo e del sensore di sporcizia (sotto il serbatoio dell'acqua usata), consultare la sezione Cura e manutenzione.
	La spazzola a rullo e il tubo sono sporchi.	Riposizionare l'apparecchio sulla base per la pulizia automatica.

Codice di errore	Possibile causa	Soluzione
E1-E7	Malfunzionamento	Riavviare l'apparecchio. Se il problema persiste, contattare il servizio clienti.
H1-H6		
H7	Surriscaldamento della batteria	Attendi finché la temperatura della batteria non torna normale.

Aspirazione			
Modello	HHR44A	Potenza nominale	400 W
Tensione nominale	21,6 V ---	Tensione di ricarica	27 V ---
Capacità del serbatoio dell'acqua pulita	780 mL	Capacità del Serbatoio dell'acqua usata	700 mL
Tempo di ricarica	Circa 4 ore	Tempo di funzionamento	50 min (Modalità silenziosa)
Base di ricarica			
Modello	HCBAB	Potenza nominale in ingresso*	670 W
Ingresso nominale	220-240 V ~ 50-60 Hz	Uscita nominale	27 V--- 1,6 A

\* La potenza nominale in ingresso si riferisce alla potenza misurata durante un ciclo rappresentativo per l'attivazione della modalità di asciugatura.

\* Quando l'apparecchio è completamente carico, entra automaticamente in modalità standby dopo 10 minuti, con un consumo di energia di 0,49 W.

La batteria incorporata agli ioni di litio contiene sostanze pericolose per l'ambiente. Prima di smaltire la batteria, assicurati che la batteria sia rimossa da tecnici qualificati e smaltita presso un centro di riciclaggio appropriato.

- La batteria deve essere rimossa dall'apparecchio prima di essere rottamata.
- L'apparecchio deve essere scollegato dalla rete di alimentazione quando si rimuove la batteria.
- La batteria deve essere smaltita in modo sicuro.

#### CAUTELA:

- Prima di rimuovere la batteria, scollegare l'alimentazione ed esaurire la batteria il più possibile.
- Le batterie non necessarie devono essere smaltite presso un impianto di riciclo appropriato.
- Non esporre la batteria ad alte temperature per evitare rischi di esplosione.
- In condizioni abusive, la batteria potrebbe perdere liquido. In caso di contatto, sciacquare con acqua e rivolgersi a un medico.

#### Guida alla Rimozione

1. Utilizzare gli utensili adatti per rimuovere lo schermo.
2. Utilizzare gli utensili adatti per rimuovere le viti sul coperchio del gruppo batteria e quindi aprire il coperchio.
3. Scollegare i terminali tra la batteria e la scheda madre, quindi rimuovere la batteria.

# Instrucciones de seguridad importantes

Lea este manual detenidamente antes de usar la aspiradora y guárdelo para su consulta en el futuro.

Al usar un aparato eléctrico, siempre se deben seguir las precauciones básicas, incluidas las siguientes:

**LEA TODAS LAS INSTRUCCIONES ANTES DE USAR (ESTE APARATO).** El incumplimiento de las advertencias e instrucciones puede tener como resultado una descarga eléctrica, un incendio y/o lesiones graves.

**ADVERTENCIA** — Para reducir el riesgo de incendio, descarga eléctrica o lesiones:

## Restricciones de uso

- Este aparato no debe ser usado por niños de menos de 8 años ni personas con deficiencias físicas, sensoriales, intelectuales, o experiencia o conocimiento limitados sin la supervisión de un adulto o tutor para asegurar un uso seguro y evitar riesgos. La limpieza y el mantenimiento no deben ser realizados por niños sin supervisión.
- La película plástica puede suponer peligro. Para evitar asfixia, manténgalo alejado de los niños. Los niños no deben jugar con el aparato.
- Utilícelo únicamente en interiores y sobre suelos sin alfombras, como por ejemplo vinilo, baldosas, madera sellada, etc. Tenga cuidado de no pasar por encima de objetos sueltos o bordes de tapetes. Un cepillo atrapado puede provocar un fallo prematuro de la correa.
- Utilícelo únicamente como se describe en este manual de usuario. Utilice únicamente los accesorios recomendados por el fabricante.
- No exponga el aparato al fuego o temperaturas altas. La exposición al fuego o temperaturas altas puede provocar una explosión.
- No lo utilice en ambientes extremadamente calientes o fríos (inferior a 5 °C/41 °F o superior a 40 °C/104 °F). Recargue el aparato a temperaturas superiores a 5 °C/41 °F e inferiores a 40 °C/104 °F.
- No sumerja el aparato en líquido.
- No lo use para recoger líquidos inflamables o combustibles, como gasolina. No lo use en áreas donde pueda haber líquidos inflamables o combustibles.
- No coloque ningún objeto en las aberturas. No utilice el aparato cuando alguna abertura esté bloqueada. Manténgalo libre de polvo, pelusa, cabello y cualquier cosa que pueda impedir el flujo de aire.
- No recoja material tóxico (blanqueador con cloro, amoníaco, líquido limpiador de desagües, etc.). No recoja objetos duros o afilados como vidrio, clavos, tornillos, piezas metálicas, etc.
- No utilice el aparato en un espacio cerrado lleno de vapor emitido por pintura a base de aceite, disolvente de pintura, sustancias a prueba de polillas, polvo inflamable u otros vapores explosivos o tóxicos. No recoja ningún objeto que se esté quemando o humeando, como cigarrillos, fósforos o cenizas calientes.
- No lo use sin los filtros instalados correctamente.
- Mantenga el cabello, la ropa suelta, los dedos y todas las partes de su cuerpo alejados de las aberturas y las partes móviles del aparato y sus accesorios.
- Mantenga los cables de conexión a tierra alejados del aparato durante el uso, ya que puede producirse peligro si el aparato atropella un cable de alimentación.
- Tenga especial cuidado al limpiar escaleras.

# Instrucciones de seguridad importantes

## Mantenimiento y Almacenamiento

- Para evitar un arranque involuntario, asegúrese de que el interruptor esté en la posición de apagado antes de levantar o transportar el aparato. Transportar el aparato con el dedo puesto en el interruptor o con el interruptor encendido puede provocar accidentes.
- Asegúrese de que el aparato esté colocado sobre una superficie horizontal. No utilice el aparato en la misma posición si el aparato está equipado con un cepillo de rodillo y el asa no está en posición completamente vertical. No guarde el aparato en un lugar donde pueda congelarse.
- Apague y desenchufe el aparato cuando no está funcionando, antes de limpiarlo, mantenerlo o repararlo, y antes de conectarlo o desconectarlo con un cepillo de movimiento.
- No utilice electrodomésticos que estén dañados o modificados. Baterías dañadas o modificadas pueden provocar un comportamiento imprevisible que resulten en fuego, explosión o riesgo de lesiones.
- No modifique ni intente reparar el aparato salvo que se indique en las instrucciones de uso y cuidado.
- No utilice el aparato con un accesorio dañado (por ejemplo, base de carga, cable de alimentación, etc.). Si el aparato o el accesorio se ha caído al suelo, dañado, dejado en el exterior, ha caído al agua o no funciona, no intente utilizarlo. Haga que lo reparen en un centro de servicio autorizado.
- Haga realizar la reparación por personal cualificado en reparaciones utilizando únicamente piezas de repuesto. Esto asegurará que se mantenga la seguridad del producto.
- Si el cable de alimentación está dañado, debe ser sustituido por el fabricante, su agente de servicio o personas con cualificación similar para evitar peligros.

## Batería y Carga

- Para recargar el aparato, utilice únicamente la base de carga suministrada con el aparato. Utilícelo únicamente con la estación de carga HCBAB.
- Siga todas las instrucciones de carga y no cargue el aparato fuera del intervalo de temperatura especificado en la batería, ya que hacerlo aumenta el riesgo de incendio.
- La base de carga cuenta con una función de secado y solo es adecuada para secar el cepillo de este aparato.
- Mantenga el cable de la base de carga alejado de las superficies calientes. No manipule el enchufe de la base de carga ni el aparato con las manos mojadas. Para desconectar la base de carga, agarre el enchufe de la misma en lugar del cable.
- No tire ni traslade la base de carga por el cable, no utilice el cable como asa, no cierre la puerta por encima del cable ni tire del cable contra bordes o esquinas afilados.
- No utilice paquetes de baterías no recargables. En caso contrario, puede incendiarse la batería de iones de litio. Este aparato contiene baterías que solo pueden ser sustituidas por técnicos profesionales o el servicio de posventa.
- La batería de iones de litio contiene sustancias que son peligrosas para el medio ambiente. Antes de desechar el electrodoméstico, retire primero el paquete de baterías y luego deséchelo o recíclolo de acuerdo con las leyes y regulaciones locales del país o región en el que se usa.

# Instrucciones de seguridad importantes

- El aparato debe estar desconectado de la fuente de alimentación al retirar la batería. Mantenga las baterías fuera del alcance de los niños. No se meta nunca las baterías en la boca. Si se ingiere, comuníquese con su médico o el centro de control de toxicología local.
- En condiciones abusivas, nunca toque la batería de la que puede salir líquido. Si ocurre contacto accidentalmente, enjuague con agua. Si el líquido entra en contacto con los ojos, busque ayuda médica inmediatamente. El líquido expulsado de la batería puede causar irritación o quemaduras.
- La base de carga puede cargar los paquetes de baterías de 6 células de 4000 mAh. Esta base de carga no se debe usar para cargar baterías no recargables. En caso contrario, puede incendiarse la batería de iones de litio.

## Símbolos



Equipo de Clase II



Eslabón de fusible miniatura de retardo donde 3,15 A-T es el símbolo característico de tiempo/corriente



Solo para uso en interiores



Lea el manual del operador



Precaución: Superficie caliente



### Información RAEE

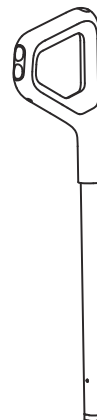
Todos los productos que llevan este símbolo son residuos de aparatos eléctricos y electrónicos (RAEE según la directiva 2012/19/UE) que no deben mezclarse con residuos domésticos sin clasificar. En cambio, debe proteger la salud humana y el medio ambiente entregando sus residuos de aparatos a un punto de recogida designado para el reciclaje de basura de aparatos eléctricos y electrónicos, nombrado por el gobierno o las autoridades locales. Una correcta eliminación y reciclaje ayudarán a impedir potenciales consecuencias negativas al medio ambiente y la salud humana. Contacte con el instalador o las autoridades locales para más información acerca de la ubicación así como términos y condiciones de tales puntos de recogida.

Nosotros, Dreame Trading (Tianjin) Co., Ltd., por la presente, declaramos que el equipo cumple con las Directivas y Normas Europeas aplicables y sus modificaciones. El texto completo de la declaración de conformidad de la UE está disponible en la siguiente dirección web: <https://global.dreameotech.com>

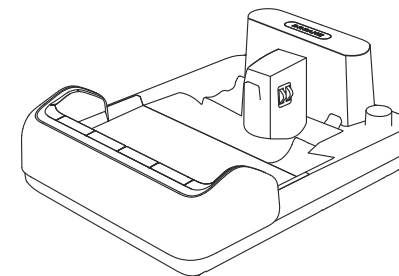
Para un manual electrónico detallado, vaya a <https://global.dreameotech.com/pages/user-manuals-and-faqs>

# Descripción general del producto

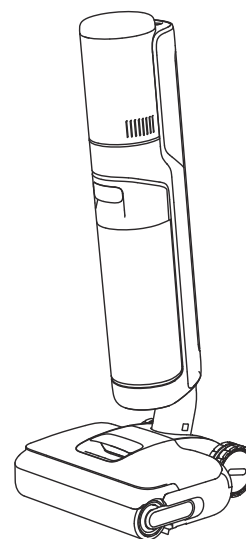
## Lista de embalaje



Mango



Base de carga



Cuerpo principal



Cepillo de limpieza



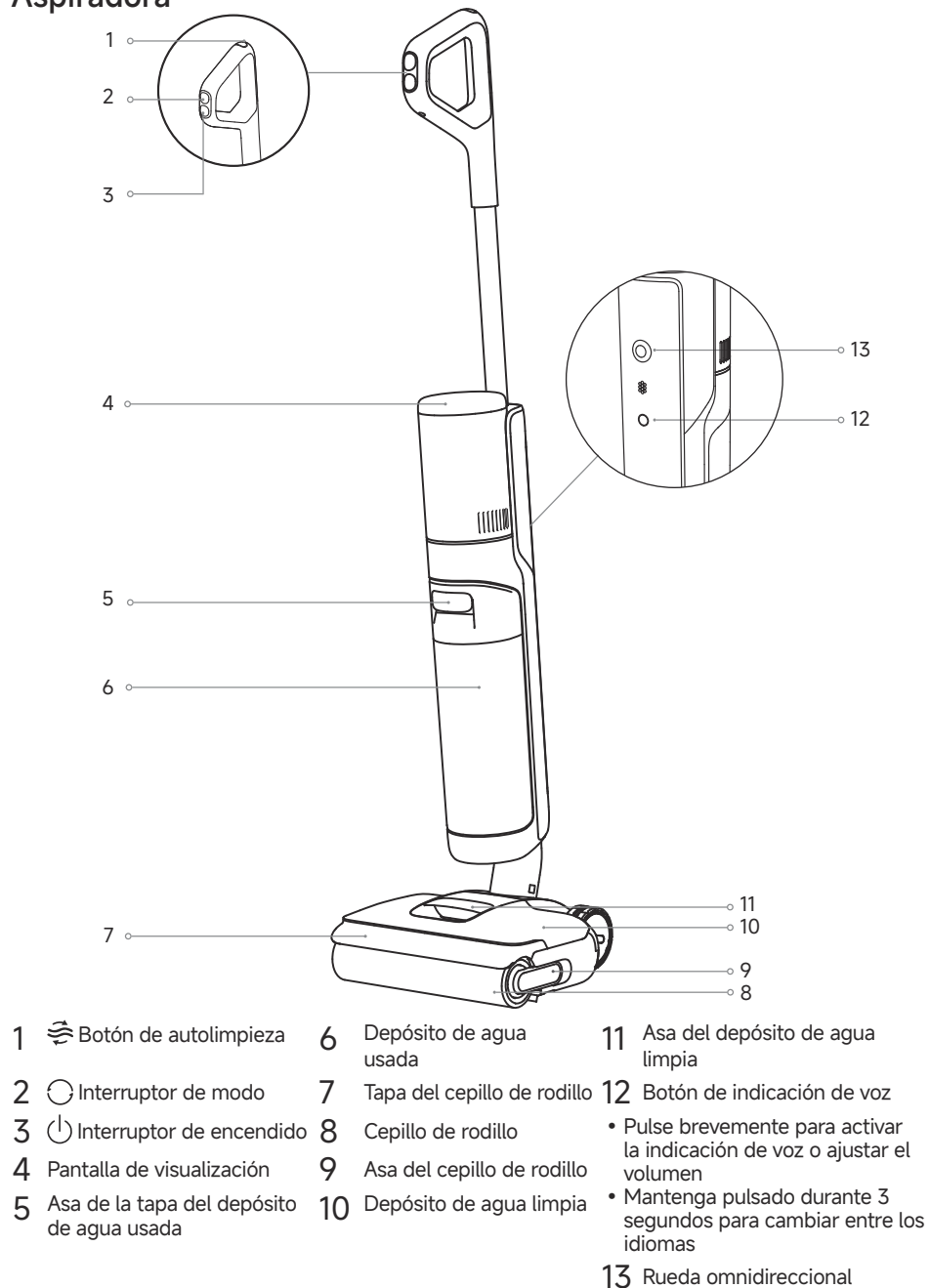
Cepillo de rodillo de repuesto



Filtro de repuesto

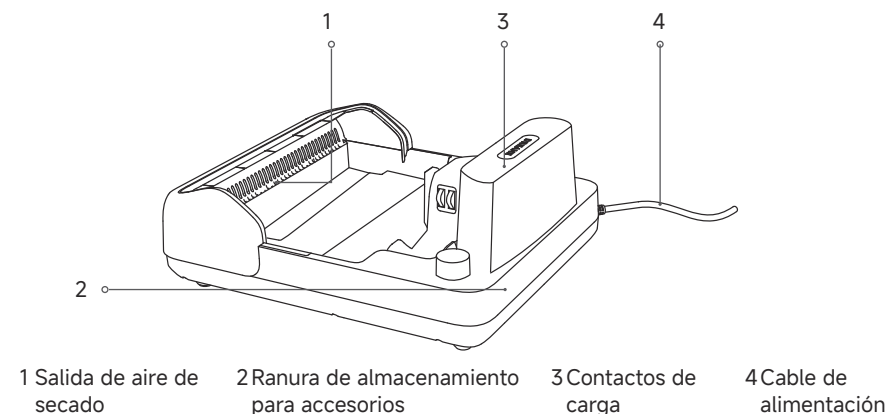
# Descripción general del producto

## Aspiradora

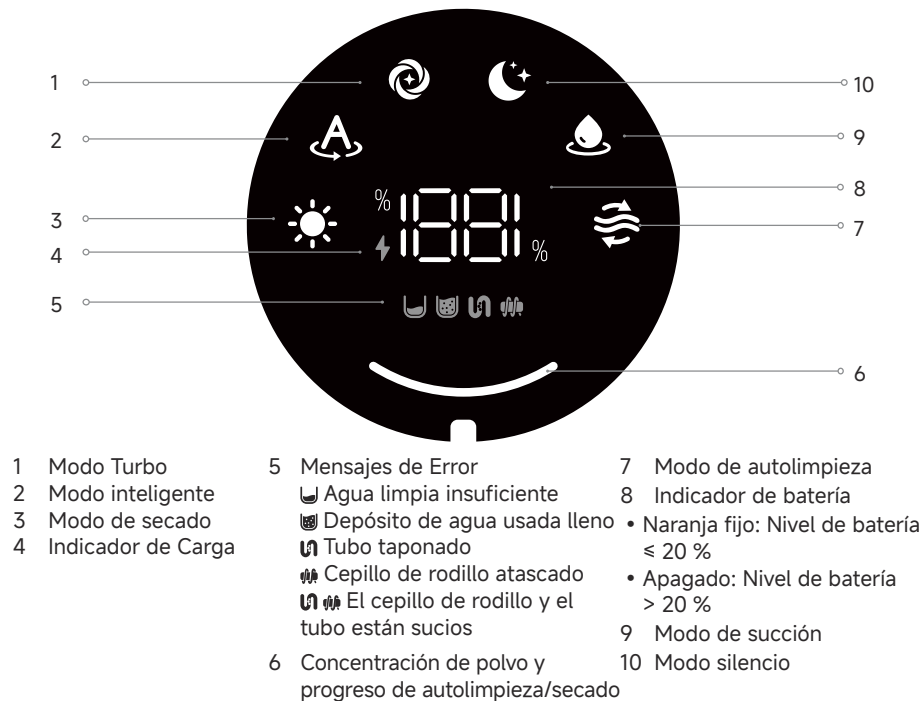


# Descripción general del producto

## Base de carga



## Pantalla de visualización

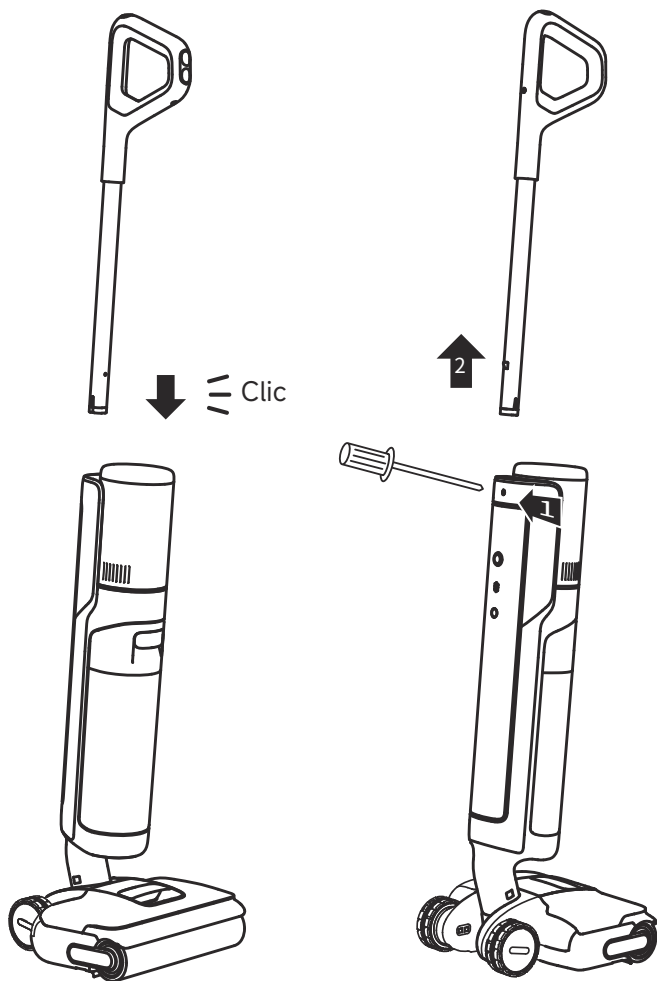


### Nota:

- Si el aparato no funciona bien, la pantalla mostrará un mensaje de error. Consulte la tabla de Mensajes de error y Soluciones para encontrar una solución.
- Como referencia únicamente. La apariencia real y la pantalla del producto prevalecen.

## Instalación del mango

Inserte el extremo del mango verticalmente en la ranura en la parte superior del aparato como se indica hasta que escuche un clic.

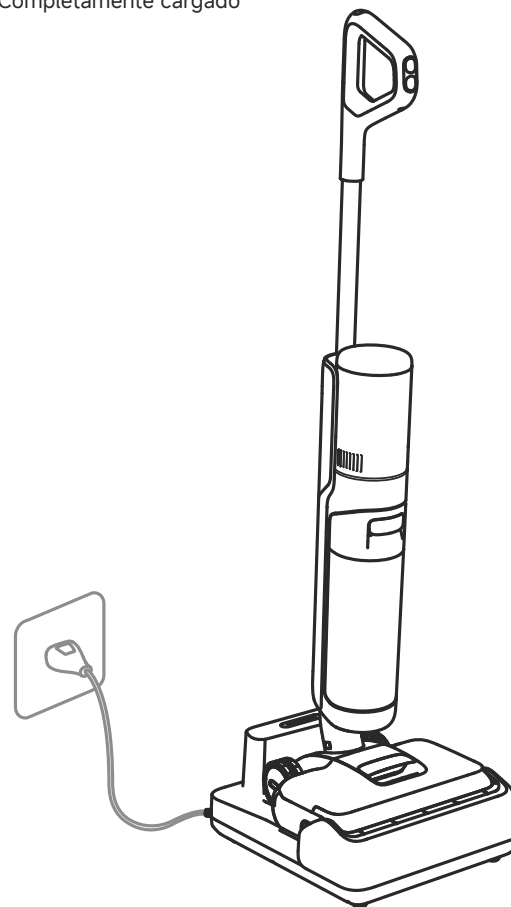


Nota: Para el desmontaje, introduzca un objeto duro en el agujero del aparato como se indica para presionar los contactos y tire del mango hacia arriba al mismo tiempo.

1. Coloque la base de carga contra la pared en un suelo nivelado y conéctelo a la fuente de alimentación. Cargue completamente el aparato antes del primer uso.
2. Coloque el aparato en la base de carga. Cuando el número en la pantalla llegue a 100, la batería está completamente cargada.

### ⚡ Indicador de carga/batería baja


- Parpadeo lento en naranja: Nivel de batería  $\leq 20\%$  (cargando)
- Parpadeo lento en verde: Nivel de batería  $> 20\%$  (cargando)
- Verde fijo: Completamente cargado







### Nota:

- Si no se realiza ninguna operación durante 10 minutos después de haberse cargado completamente, el aparato pasará al modo de reposo. Reinicie el aparato cuando necesite usarlo de nuevo.
- Para prolongar su duración, la batería se enfría automáticamente (aproximadamente 1 hora) antes de recargar después de que el producto haya estado funcionando continuamente mucho tiempo. (el tiempo de enfriamiento es alrededor de 1 hora).

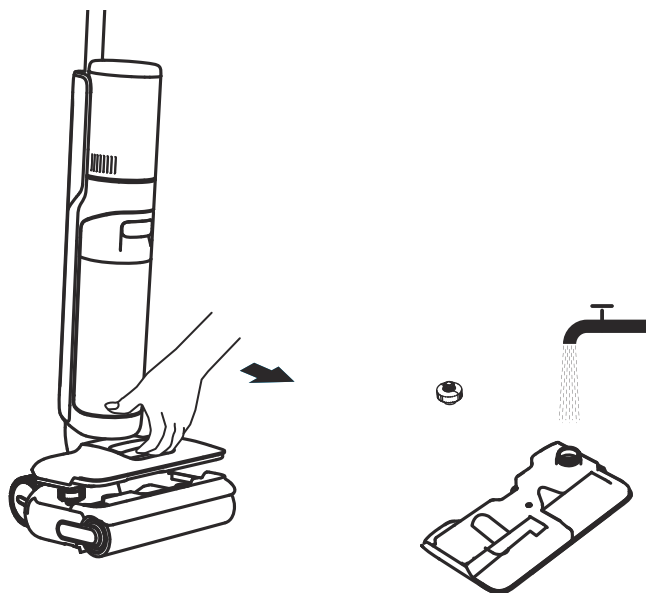
### Cambiar de modos

Pulse  para cambiar de modos en función de sus necesidades.

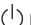

-  **Modo Turbo**  
Máxima potencia de succión y mayor flujo de agua para manchas difíciles en suelo duros.
-  **Modo inteligente**  
El aparato detectará el nivel de suciedad y ajustará inteligentemente la potencia de succión y el flujo de agua correspondientemente.
-  **Modo silencio**  
El aparato mantendrá una potencia de succión moderada con bajo nivel de ruido.
-  **Modo de succión**  
Aspire en seco únicamente sin dispensación de agua.

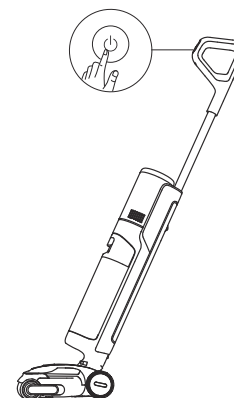
### Llene el depósito de agua limpia

Retire el depósito de agua limpia. Abra la tapa del depósito y llene el depósito con suficiente agua limpia. Reinstale el depósito y asegúrese de que encaje en su lugar.



### Empezar a limpiar

Pise suavemente la tapa del cepillo y recline el aparato hacia atrás. Pulse  para empezar a limpiar. Pulse  para cambiar de modos en función de sus necesidades.

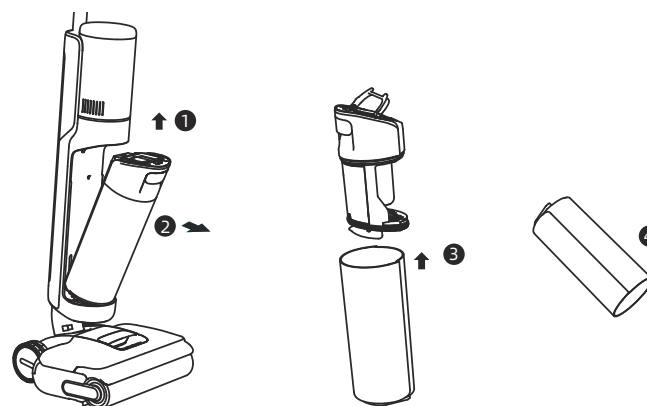


Nota:


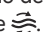
- No lo use para aspirar líquidos espumosos.
- Si el aparato está en posición vertical durante el funcionamiento, la tarea actual se suspenderá.
- El aparato únicamente es adecuado para limpiar superficies duras tales como suelos de madera, mármol y baldosas.
- Presione el cepillo contra el suelo cuando lo utilice.
- Mientras el aparato está en funcionamiento, no lo eleve, lo tienda plano o lo incline para evitar que fluya agua sucia al motor.

### Vacíe el depósito de agua usada


Tire del asa del depósito de agua usada para extraerlo. Retire la tapa del depósito y vierta el agua usada. Reinstale el depósito y asegúrese de que encaje en su lugar.

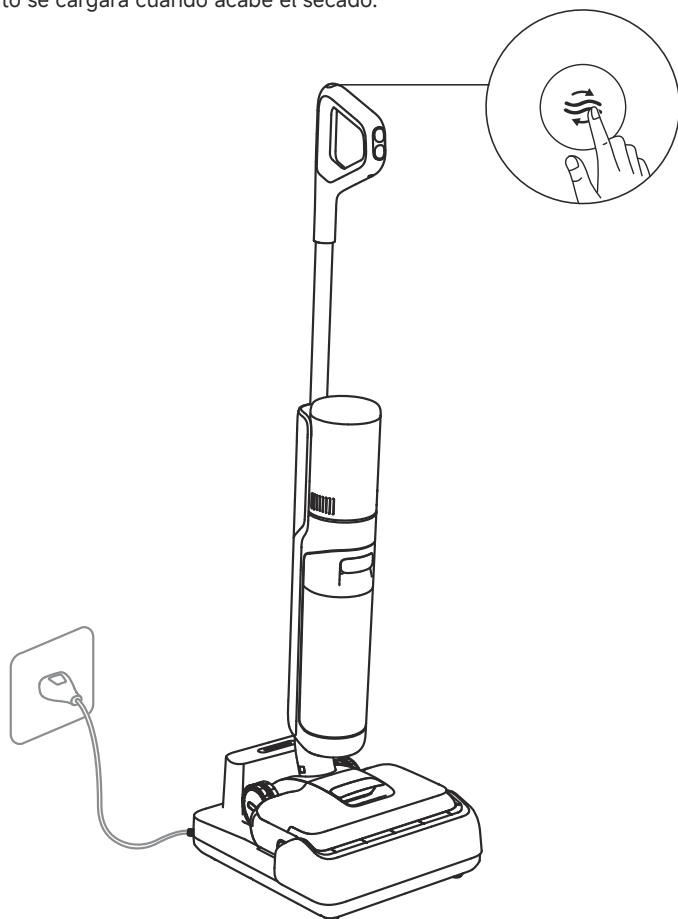


## Modo de autolimpieza

1. Tras la limpieza, devuelva de inmediato el aparato a la base y asegúrese de que el depósito de agua limpia esté suficientemente relleno.
2. Pulse brevemente  en la parte superior del mango para iniciar/detener la autolimpieza. Cambie al modo de secado según las indicaciones de voz.
3. Una vez completada la autolimpieza, el aparato entrará automáticamente al modo de secado; vacíe de inmediato el depósito de agua usada. Para salir del modo de secado, pulse .

## Modo de secado

1. Mantenga pulsado el botón de autolimpieza  durante 3 segundos para activar el modo de secado.
2. El aparato se cargará cuando acabe el secado.



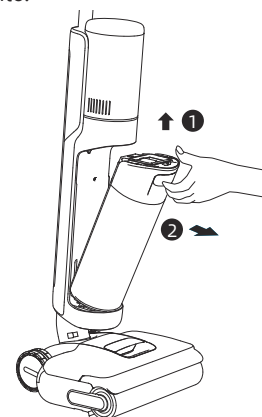
Nota: La autolimpieza puede activarse solo cuando el aparato esté cargando y el nivel de batería sea superior al 20 %.

## Consejos

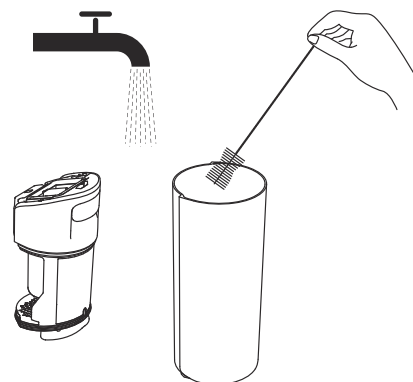
- Apague el aparato antes del mantenimiento. Tenga cuidado de no presionar accidentalmente el botón de encendido.
- Sustituya las piezas si es necesario. Las piezas deben ser sustituidas por aquellas suministradas por el fabricante o su agente de servicio.
- Si el aparato no se utiliza durante un periodo prolongado, cárguelo por completo, desconecte el enchufe de alimentación y guárdelo en un lugar fresco y seco alejado de la luz solar directa. Para evitar que la batería se descargue demasiado, cargue el aparato al menos una vez cada 3 meses.

## Limpieza del depósito de agua usada

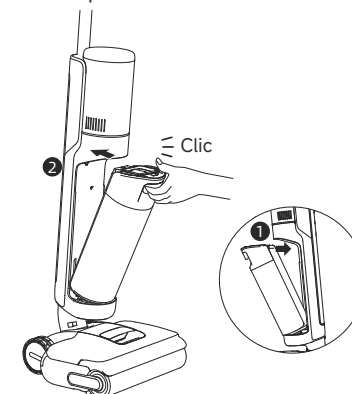
1. Tire del asa del depósito para retirar el depósito.
2. Retire el filtro de la tapa del depósito. Eleve la tapa y vierta el agua usada.



3. Enjuague el depósito y la tapa del depósito con agua limpia. Use el cepillo de limpieza suministrado para frotar las paredes interiores del depósito.



4. Vuelva a instalar el filtro y la tapa del depósito. Luego vuelva a instalar el depósito de agua usada hasta que escuche un chasquido.

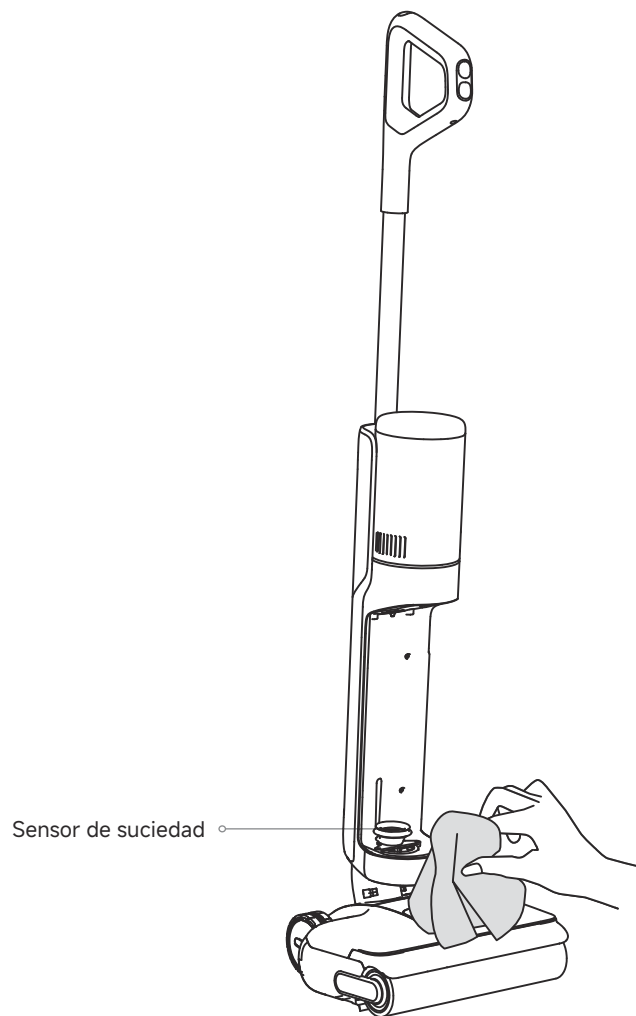


Nota:

- Si el filtro está sucio, enjuáguelo con agua limpia y séquelo completamente antes de usarlo.
- Se recomienda cambiar el filtro cada 3 a 6 meses.

## Limpeza del tubo y el sensor de suciedad

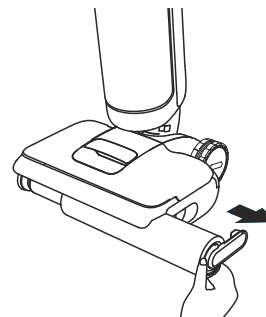
Retire el depósito de agua usada, frote con cuidado el tubo y el sensor de suciedad con un paño húmedo.



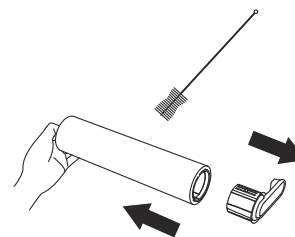
Nota: No enjuague con agua el tubo o el sensor de suciedad.

## Limpeza del conjunto de cepillo

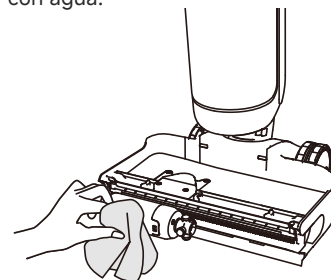
1. Tire del asa para retirar el cepillo de rodillo.



3. Se recomienda sustituir el cepillo rodillo cada 3 a 6 meses. Retire el tirador del cepillo rodillo para sustituirlo por un nuevo cepillo rodillo, y presiónelo firmemente en su sitio.



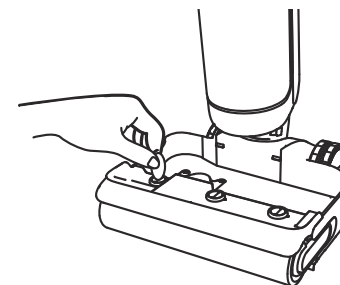
5. Limpie la entrada de succión con un paño seco o una toallita húmeda. No enjuague con agua.



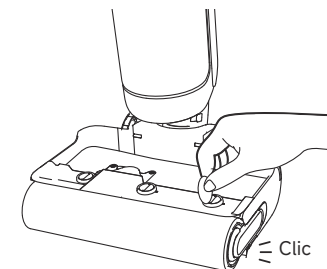
2. Use el cepillo de limpieza proporcionado para limpiar el cepillo rodillo, luego enjuague el cepillo rodillo con agua limpia y séquelo completamente.



4. Use una moneda para girar los mandos de bloqueo en la tapa del cepillo de rodillo para retirarla.



6. Vuelva a instalar el cepillo de rodillo y el asa hasta que escuche un chasquido.



# Resolución de Problemas

Si se produce un error, el aparato dejará de funcionar. Consulte la siguiente tabla para resolver problemas. Si el problema persiste, contacte con el servicio al cliente.

Problema	Posible causa	Solución
El aparato no funciona.	El aparato no tiene batería o su nivel de batería es bajo.	Cargue completamente el aparato antes de usarlo.
	El aparato está en posición vertical.	Recline el aparato hacia atrás.
	La protección contra sobrecalentamiento se activa debido a un bloqueo.	Elimine la obstrucción y espere hasta que la temperatura vuelva a la normalidad.
	El depósito de agua usada está lleno.	Vacíe el depósito de agua usada.
	Las piezas no están instaladas en su lugar.	Asegúrese de que todas las piezas estén instaladas en su sitio.
El aparato carga lentamente.	La temperatura de la batería está demasiado baja o demasiado alta.	Comuníquese con el servicio de atención al cliente.
La potencia de succión del aparato es débil.	El filtro está obstruido.	Limpieza del filtro.
	La entrada de succión o el tubo están bloqueados por un objeto extraño.	Limpie el tubo y la entrada de succión.
El motor hace un ruido extraño.	Hay demasiada agua sucia en el depósito de agua usada.	Vacíe el depósito de agua usada.
	La boquilla de succión principal está bloqueada.	Elimine cualquier obstrucción en la boquilla de succión principal.
El indicador de concentración de polvo está rojo fijo.	Los sensores de suciedad necesitan una limpieza.	El sensor de suciedad está en el tubo. Siga las instrucciones de limpieza.
	La concentración de solución de limpieza es demasiado alta.	Diluya la solución de limpieza con agua según la proporción recomendada.
	Una solución de limpieza de terceros puede provocar una gran cantidad de espuma.	Utilice únicamente soluciones de limpieza oficialmente aprobadas.
La pantalla de pantalla de visualización no se ilumina durante la carga.	El enchufe de la base de carga no se ha conectado correctamente a la toma de corriente.	Asegúrese de que el enchufe de la base de carga está correctamente conectado.
	El aparato no está colocado correctamente en la base de carga.	Asegúrese de que el aparato esté colocado correctamente en la base de carga.
No sale agua del aparato.	El depósito de agua limpia no está instalado correctamente, o no hay suficiente agua.	Vuelva a instalar o llenar el depósito de agua limpia.
	Se tarda 30 segundos en humedecer el cepillo giratorio.	Pasado un tiempo compruebe otra vez.






# Resolución de Problemas

La salida de aire fuga agua.	Una colisión o un tirón brusco hacen que entre agua en el motor.	Mueva el aparato suavemente hacia atrás y hacia delante mientras está encendido.
	El filtro no se ha secado completamente después de limpiarlo.	Seque completamente el filtro antes de usarlo.
La autolimpieza falla.	El cepillo de rodillo puede estar atascado por partículas grandes.	Retire la tapa del rodillo de cepillo para comprobar y limpiar el cepillo de rodillo.
	El aparato no está colocado correctamente en la base de carga.	Asegúrese de que el aparato se esté cargando antes de activar la función de autolimpieza.
	La autolimpieza no se puede activar si el nivel de la batería es inferior al 20 %.	La autolimpieza solo puede activarse cuando el aparato se esté cargando y el nivel de batería sea superior al 20 %.
	El depósito de agua usada está lleno.	Vacíe el depósito de agua usada.
	El depósito de agua limpia no está instalado en su sitio, o no hay suficiente agua.	Vuelva a instalar o llenar el depósito de agua limpia.
Mal rendimiento de secado o ruido extraño durante el secado.	La salida de aire y la entrada de aire de la base de carga pueden estar bloqueadas.	Verifique y elimine cualquier obstrucción de la salida de aire y la entrada de aire.

Para servicios adicionales contacte con nosotros en [aftersales@dreametech.com](mailto:aftersales@dreametech.com)  
 Sitio web: <https://global.dreametech.com>

# Mensajes de Error y Soluciones

Si el aparato no funciona bien, la pantalla mostrará un mensaje de error. Consulte la siguiente tabla para encontrar una solución.

Icono del Error	Posible causa	Solución
	El agua limpia es insuficiente.	Llene el depósito de agua limpia.
	El depósito de agua usada está lleno.	Vacíe el depósito de agua usada.
	Cepillo de rodillo atascado.	Limpie el cepillo de rodillo.
	Tubo taponado.	Consulte la sección Mantenimiento y Cuidados para limpiar el tubo y el sensor de suciedad (debajo del depósito de agua usada).
	El rodillo de cepillo y el tubo están sucios.	Coloque el aparato de nuevo en la base para la autolimpieza.

Código de error	Posible causa	Solución
E1-E7	Mal funcionamiento	Reinicie el aparato. Si el problema persiste, contacte con el servicio al cliente.
H1-H6		
H7	Sobrecalentamiento de la batería	Comuníquese con el servicio de atención al cliente.

# Especificaciones

Aspiradora			
Modelo	HHR44A	Potencia nominal	400 W
Tensión asignada	21,6 V ---	Voltaje de carga	27 V ---
Capacidad del depósito de agua limpia	780 mL	Capacidad del depósito de agua usada	700 mL
Tiempo de carga	Aprox. 4 horas	Autonomía	50 min (Modo silencio)
Base de carga			
Modelo	HCBAB	Potencia nominal de entrada*	670 W
Entrada nominal	220-240 V ~ 50-60 Hz	Salida nominal	27 V --- 1,6 A

\* Por potencia nominal de entrada se entiende la potencia medida durante el ciclo representativo para acceder al modo de secado.

\* Cuando el aparato esté completamente cargado, accederá automáticamente al modo de espera tras 10 minutos, con un consumo energético de 0,49 W.

# Eliminación y retirada de la batería

La batería de iones de litio integrada contiene sustancias que son peligrosas para el medio ambiente. Antes de eliminar la batería, asegúrese de que la batería sea retirada por técnicos cualificados y desechada en instalaciones de reciclaje apropiadas.

- La batería se debe retirar del aparato antes de desecharlo.
- El aparato debe desconectarse del suministro eléctrico cuando se retire la batería.
- La batería se debe desechar de forma segura.

## PRECAUCIÓN:

- Antes de retirar la batería, desconecte la alimentación y descárguela tanto como sea posible.
- Las baterías no necesarias deben desecharse en instalaciones de reciclaje apropiadas.
- Evite exponer la batería a altas temperaturas para evitar el riesgo de explosión.
- En condiciones abusivas, la batería puede fugar líquido. Si ocurre un contacto, enjuague con agua y busque ayuda médica.

## Guía de Extracción

1. Utilice herramientas para retirar la pantalla.
2. Utilice herramientas para retirar los tornillos que sujetan la tapa de la batería, y luego intente abrir la tapa.
3. Desconecte los terminales que conectan la batería a la placa principal, y retire la batería.

# Belangrijke veiligheidsinstructies

Lees deze gebruiksaanwijzing vóór gebruik aandachtig door en bewaar deze voor toekomstig gebruik.

Wanneer u een elektrisch apparaat gebruikt, moet u altijd de basisvoorzorgsmaatregelen in acht nemen, met inbegrip van de volgende:

**LEES VÓÓR GEBRUIK (VAN DIT APPARAAT) ALLE INSTRUCTIES.** Het niet opvolgen van de waarschuwingen en instructies kan tot elektrische schokken, brand en/of ernstig letsel leiden.

**WAARSCHUWING** — Om het risico op brand, elektrische schokken of letsel te verminderen:

## Gebruiksbeperkingen

- Dit apparaat mag niet zonder toezicht van een ouder of voogd worden gebruikt door kinderen jonger dan 8 jaar of personen met fysieke, zintuiglijke of geestelijke tekortkomingen of met beperkte ervaring of kennis, om een veilige bediening te waarborgen en risico's te vermijden. Schoonmaken en onderhoud mogen niet door kinderen zonder toezicht worden uitgevoerd.
- Plastic folie kan gevaarlijk zijn. Houd het uit de buurt van kinderen om verstikkingsgevaar te voorkomen. Kinderen mogen niet met dit toestel spelen.
- Alleen binnenshuis gebruiken, op vloeren zonder vloerbedekking, zoals vinyl, tegels, verzegeld hout, enz. Zorg ervoor dat u niet over losse voorwerpen of de randen van vloerkleden rijdt. Het blokkeren van de borstel kan leiden tot voortijdige uitval van de aandrijfriem.
- Gebruik het apparaat alleen zoals beschreven in deze handleiding. Gebruik alleen de door de fabrikant aanbevolen hulpstukken.
- Stel het apparaat niet bloot aan vuur of te hoge temperaturen. Blootstelling aan vuur of een te hoge temperatuur kan een explosie veroorzaken.
- Gebruik niet in extreem warme of koude omgevingen (lager dan 5 °C/41 °F of hoger dan 40 °C/104 °F). Laad het apparaat op bij temperaturen hoger dan 5 °C/41 °F en lager dan 40 °C/104 °F.
- Dompel het apparaat niet onder in vloeistof.
- Gebruik het niet om ontvlambare of brandbare vloeistoffen zoals benzine op te zuigen. Gebruik het niet op plaatsen waar ontvlambare of brandbare vloeistoffen aanwezig kunnen zijn.
- Steek geen voorwerpen in de openingen. Gebruik het apparaat niet wanneer er een opening geblokkeerd is. Houd vrij van stof, pluizen, haar en alles wat de luchtstroom kan belemmeren.
- Zuig geen giftig materiaal op (chloorbleekmiddel, ammoniak, afvoerreiniger, enz.). Zuig geen harde of scherpe voorwerpen op zoals glas, spijkers, schroeven, munten, enz.
- Gebruik het apparaat niet in een gesloten ruimte met verfdampen op oliebasis, verfverdunder, sommige motwerende stoffen, brandbaar stof of andere explosieve of giftige dampen. Zuig niets op dat brandt of rookt, zoals sigaretten, lucifers of hete as.
- Gebruik het apparaat niet zonder dat er filters zijn geplaatst.
- Houd haar, losse kleding, vingers en alle lichaamsdelen uit de buurt van openingen en bewegende delen van het apparaat en de accessoires ervan.
- Houd grondkabels uit de buurt van het apparaat wanneer u het gebruikt. Er kan gevaar ontstaan als het apparaat over een netsnoer loopt.
- Wees extra voorzichtig bij het schoonmaken op trappen.

# Belangrijke veiligheidsinstructies

## Onderhoud en opslag

- Voorkom onbedoeld starten. Zorg ervoor dat de schakelaar in de UIT-stand staat voordat u het apparaat oppakt of draagt. Als u het apparaat draagt met uw vinger op de schakelaar of als u het apparaat inschakelt, kan dit tot een ongeluk leiden.
- Zorg ervoor dat het apparaat op een horizontaal oppervlak wordt geplaatst. Gebruik het apparaat niet in dezelfde positie als het apparaat uitgerust is met een borstelrol en het handvat niet volledig rechtop staat. Bewaar het apparaat niet op een plaats waar het kan vriezen.
- Schakel het apparaat uit en trek de stekker uit het stopcontact als u het niet gebruikt, voordat u het reinigt, onderhoudt of service uitvoert, en voordat u het aansluit of loskoppelt met een bewegende borstel.
- Gebruik geen apparaat dat beschadigd of aangepast is. Een beschadigd of aangepast apparaat kan onvoorspelbaar reageren, wat kan leiden tot brand, explosie of risico op letsel.
- Pas het apparaat niet aan en probeer het apparaat niet te repareren, behalve zoals aangegeven in de instructies voor gebruik en onderhoud.
- Gebruik het apparaat niet met een beschadigd hulpstuk (bijv. oplaadstation, netsnoer, enz.). Probeer het apparaat of hulpstuk nooit te bedienen als het is gevallen, beschadigd is, buiten is achtergelaten, in het water is gevallen of niet naar behoren werkt. Laat het repareren bij een erkend servicecentrum.
- Laat het onderhoud uitvoeren door een gekwalificeerde monteur en gebruik uitsluitend gelijkwaardige vervangingsonderdelen. Dit zorgt ervoor dat de veiligheid van het apparaat behouden blijft.
- Als het netsnoer beschadigd is, moet het door de fabrikant, zijn serviceagent of gelijk gekwalificeerde personen worden vervangen om gevaar te voorkomen.

## Accu en opladen

- Gebruik voor het opladen van het apparaat alleen het oplaadstation dat bij dit apparaat is geleverd. Alleen gebruiken met HCBAB-oplaadstation.
- Volg alle oplaadinstructies en laad het apparaat niet op buiten het temperatuurbereik dat op de accu is aangegeven, omdat dit het risico op brand verhoogt.
- Het oplaadstation is uitgerust met een droogfunctie en alleen geschikt voor het drogen van de borstel van dit apparaat.
- Houd de kabel van het oplaadstation uit de buurt van verhitte oppervlakken. Raak de stekker van het oplaadstation of het apparaat niet aan met natte handen. Om de stekker uit het stopcontact te halen, pakt u de stekker van het oplaadstation vast in plaats van de kabel.
- Trek of draag het oplaadstation niet aan de kabel, gebruik de kabel niet als handvat, sluit de deur niet op de kabel en trek de kabel niet rond scherpe randen of hoeken.
- Gebruik geen niet-oplaadbaar batterijpakket. Anders kan de lithium-ion-accu in brand vliegen. Dit apparaat bevat batterijen die alleen door gekwalificeerde technici of de klantenservice kunnen worden vervangen.
- De lithium-ion-accu bevat stoffen die schadelijk zijn voor het milieu. Voordat u het apparaat weggooit, dient u eerst de accu te verwijderen en vervolgens alles in

# Belangrijke veiligheidsinstructies

overeenstemming met de plaatselijke wet- en regelgeving van het land of de regio waar deze wordt gebruikt, weg te gooien of te recyclen.

- Bij het verwijderen van de accu moet het apparaat van de stroomvoorziening worden losgekoppeld. Houd batterijen en accu's buiten het bereik van kinderen. Stop batterijen nooit in de mond. Indien ingeslikt, neem contact op met uw arts of de plaatselijke gifdienst.
- Bij misbruik dient u nooit in contact te komen met de accu waaruit de vloeistof kan vrijkomen. In geval van toevallig contact, met water uitspoelen. Als vloeistof in de ogen komt, onmiddellijk medische hulp inroepen. Vloeistof die uit de accu komt kan irritatie of brandwonden veroorzaken.
- Het oplaadstation kan de 6-cellige 4000 mAh-accu opladen. Dit oplaadstation mag niet worden gebruikt om niet-oplaadbare batterijen op te laden. Anders kan de lithium-ion-accu in brand vliegen.

## Symbolen



Klasse II-apparaat



Miniatuur tijdvertragszekerheid waarbij T 3.15A het symbool is voor de tijd-/stroomkarakteristiek



Alleen voor gebruik binnenshuis



Lees de gebruikershandleiding



Voorzichtig: Heet oppervlak



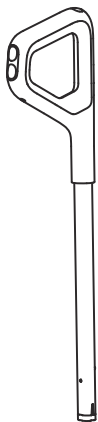
AEEA-informatie

Alle producten met dit symbool zijn afgedankte elektrische en elektronische apparatuur (AEEA zoals in richtlijn 2012/19/EU) die niet samengevoegd mogen worden met ongesorteerd huishoudelijk afval. In plaats daarvan moet u de volksgezondheid en het milieu beschermen door uw afgedankte apparatuur in te leveren bij een door de overheid of de plaatselijke autoriteiten aangewezen inzamelpunt voor het recyclen van afgedankte elektrische en elektronische apparatuur. Een correcte verwijdering en recycling zal mogelijke negatieve gevolgen voor het milieu en de volksgezondheid helpen voorkomen. Neem contact op met de installateur of de plaatselijke autoriteiten voor meer informatie over de locatie en de voorwaarden van dergelijke inzamelpunten.

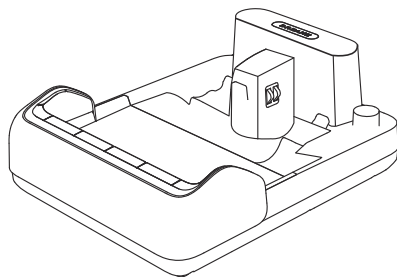
Wij van Dreame Trading (Tianjin) Co., Ltd. verklaren hierbij, dat dit apparaat in overeenstemming is met de betreffende Richtlijnen, Europese Normen en herzieningen hieraan. De volledige tekst van de EU-conformiteitsverklaring is beschikbaar op het volgende internetadres: <https://global.dreametech.com>

Voor een gedetailleerde e-handleiding gaat u naar <https://global.dreametech.com/pages/user-manuals-and-faqs>

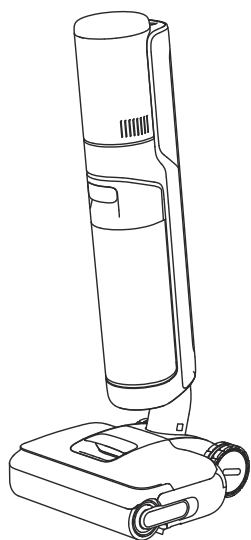
Paklijst



Hendel



Oplaadstation



Hoofdbehuizing



Reserve rolborstel

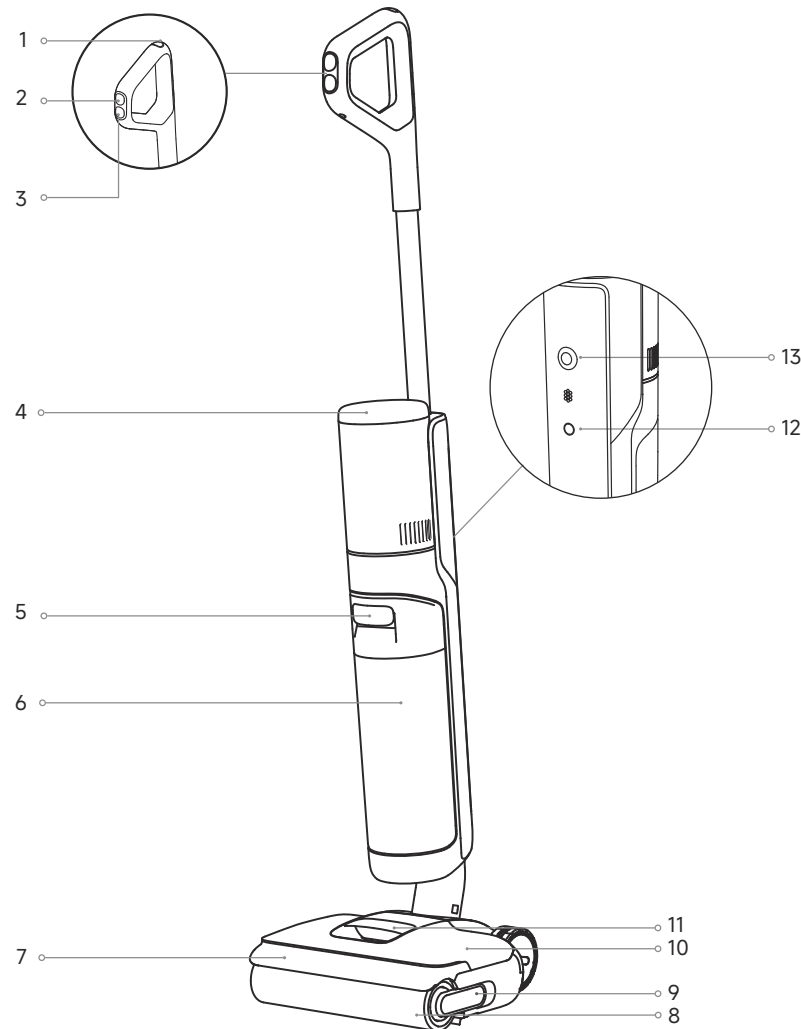


Reinigingsborstel



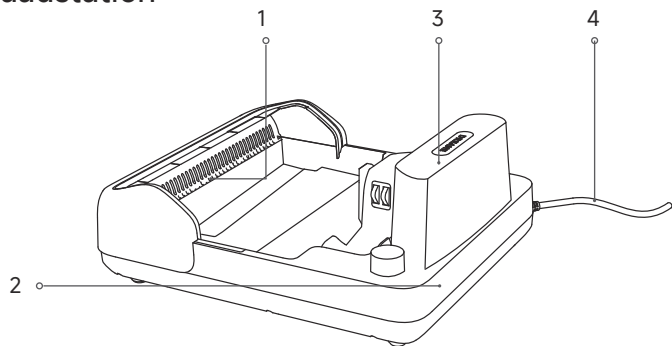
Vervangingsfilter

Stofzuigen



- |   |                          |    |                   |   |                                  |
|---|--------------------------|----|-------------------|---|----------------------------------|
| 1 | ⊞ Zelfreinigingsknop     | 6  | Vuilwatertank     | 11  | Hendel van schoonwatertank       |
| 2 | ○ Modusschakelaar        | 7  | Rolborstel Deksel | 12  | Knop voor gesproken aanwijzingen |
| 3 | ⏻ Aan/Uit-schakelaar     | 8  | Rolborstel        | • Druk kort in om de gesproken aanwijzingen te activeren of het volume aan te passen. |                                  |
| 4 | Weergavescherm           | 9  | Rolborstel Hendel | • 3 seconden ingedrukt houden om tussen talen te schakelen                            |                                  |
| 5 | Hendel van vuilwatertank | 10 | Schoonwatertank   |   |                                  |
|   |                          |    |                   | 13  | Rondomlopend wiel                |

### Oplaadstation



- 1 Uitlaat voor luchtdroging
- 2 Sleuf voor het opbergen van accessoires
- 3 Oplaadcontacten
- 4 Netsnoer

### Weergavescherm



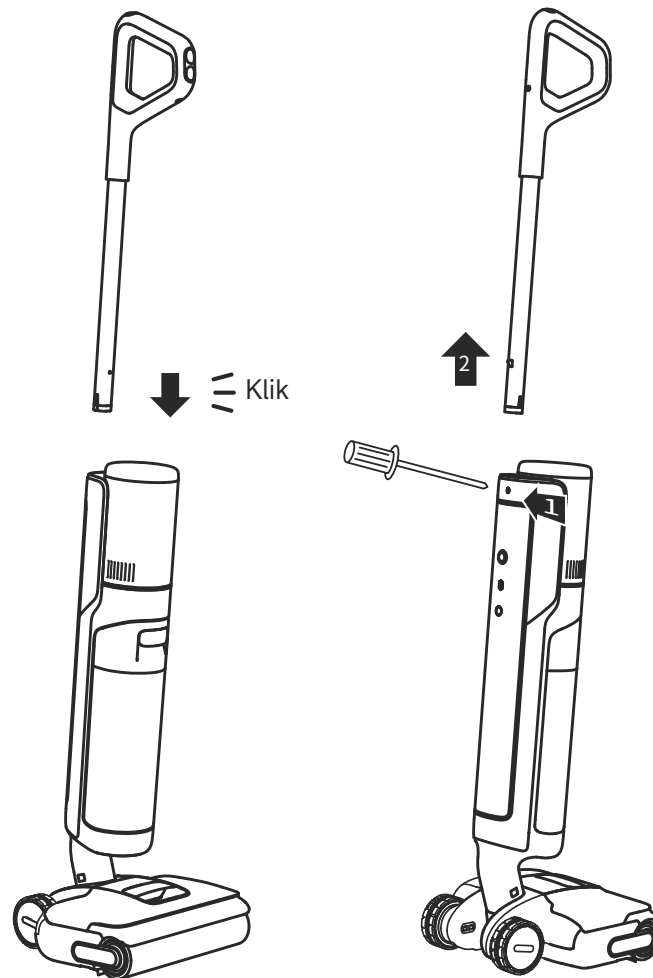
- 1 Turbomodus
- 2 Slimme modus
- 3 Droogmodus
- 4 Oplaadindicator
- 5 Foutmeldingen
  - ☹ Onvoldoende schoon water
  - 🚰 Vuilwatertank vol
  - 🚫 Buis verstopt
  - 🌀 Rolborstel zit vast
  - 🌀🚫 Rolborstel en buis zijn vuil
- 6 Stofconcentratie en zelfreinigende/drogende voortgang
- 7 Zelfreinigingsmodus
- 8 Accu-indicator
  - Continu oranje: Accuniveau ≤ 20%
  - Uit: Accuniveau > 20%
- 9 Zuigmodus
- 10 Stille modus

**Opmerking:**

- Op het scherm verschijnt een foutmelding als het apparaat niet goed werkt. Raadpleeg de tabel "foutmeldingen en oplossingen" om de oplossing te vinden.
- Alleen ter referentie. Het werkelijke uiterlijk en beeldscherm van het product zijn doorslaggevend.

### Het handvat installeren

Steek het uiteinde van het handvat verticaal in de sleuf aan de bovenkant van het apparaat zoals aangegeven totdat u een klik hoort.



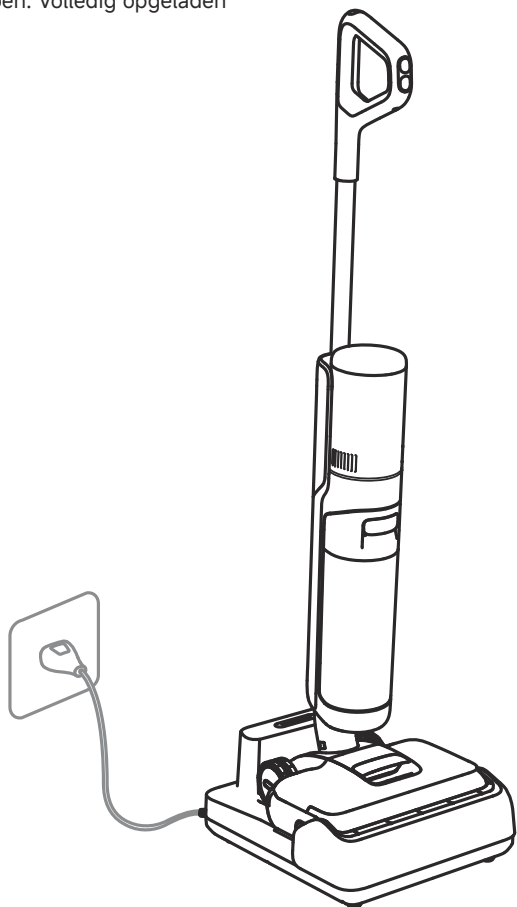
- Opmerking:** Om het apparaat te demonteren, steekt u een hard voorwerp in het gat van het apparaat zoals aangegeven om de contacten in te drukken en tegelijkertijd het handvat omhoog te trekken.

# Opladen

1. Plaats het oplaadstation tegen een muur op een vlakke ondergrond en sluit het aan op een stroombron. Laad het apparaat volledig op voordat u het voor het eerst gebruikt.
2. Plaats het apparaat op de oplaadstation. Als het getal op het scherm 100 bereikt, is de accu volledig opgeladen.

## ⚡ Indicator voor opladen/accu bijna leeg

- Pulserend oranje: Accuniveau  $\leq$  20% (opladen)
- Pulserend groen: Accuniveau  $>$  20% (opladen)
- Continu groen: Volledig opgeladen



## Opmerking:

- Als er binnen 10 minuten na volledig opladen geen bediening plaatsvindt, gaat het apparaat in de slaapstand. Start het apparaat opnieuw wanneer u het opnieuw wilt gebruiken.
- Om de levensduur te verlengen, koelt de accu automatisch af (gedurende ongeveer 1 uur) voordat deze wordt opgeladen nadat het product lange tijd onafgebroken heeft gewerkt. (afkoeltijd is ongeveer 1 uur).

# Hoe te gebruiken

## Van modus wisselen

Druk op  om van modus te wisselen op basis van uw behoeften.



**Turbomodus**  
Maximale zuigkracht en verhoogde waterstroom voor hardnekkige vlekken op harde vloeren.



**Slimme modus**  
Het apparaat detecteert de hoeveelheid vlekken en past de zuigkracht en de waterstroom hierop aan.



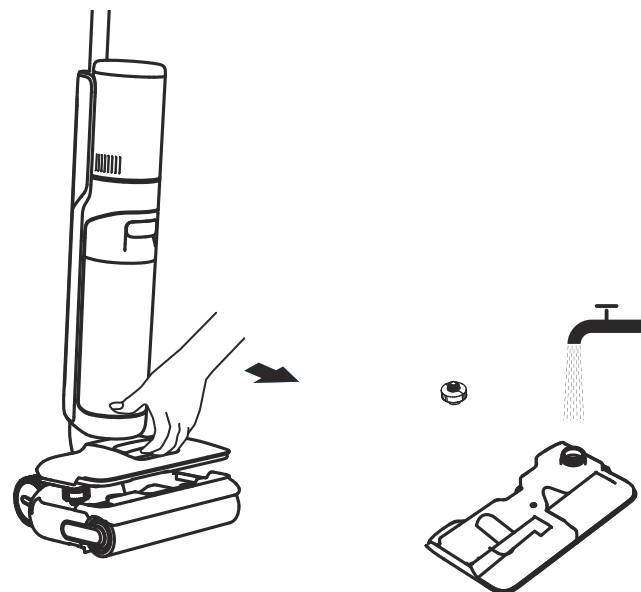
**Stille modus**  
Het apparaat behoudt een gemiddelde zuigkracht bij een laag geluidsniveau.



**Zuigmodus**  
Alleen droogzuigen zonder waterdosering.

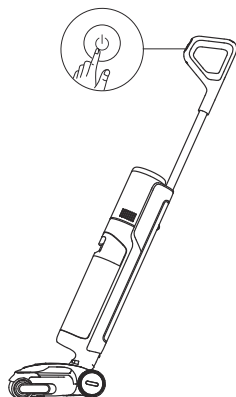
## Vul de schoonwatertank

Verwijder de schoonwatertank. Open het tankdeksel en vul de tank met voldoende schoon water. Installeer de tank opnieuw totdat deze op zijn plaats vastklikt.



## Begin met reinigen

Ga voorzichtig op de afdekking van de borstel staan en kantel het apparaat naar achteren. Druk op  om het reinigen te starten. Druk op  om van modus te wisselen op basis van uw behoeften.

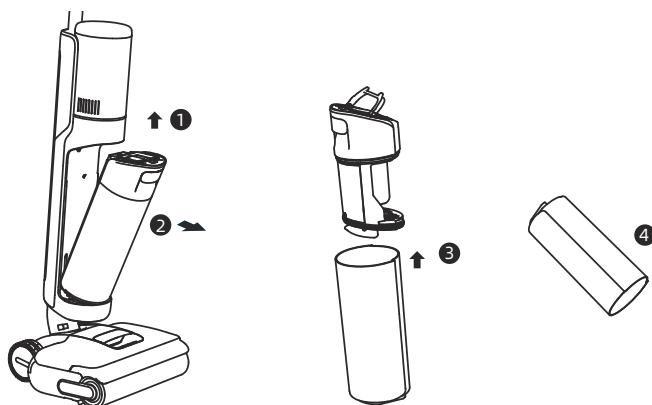


### Opmerking:



- Zuig geen schuimende vloeistoffen op.
- Als het apparaat zich tijdens de werkzaamheden in de rechtopstaande positie bevindt, wordt de huidige taak onderbroken.
- Het apparaat is alleen geschikt voor het reinigen van harde oppervlakken zoals houten vloeren, marmer en tegels.
- Druk de borstel tegen de vloer tijdens het gebruik.
- Als het apparaat in werking is, mag u het niet optillen, verplaatsen, plat leggen of kantelen om te voorkomen dat er vuil water in de motor stroomt.

## De vuilwatertank legen


Trek aan de hendel van de tank om de vuilwatertank eruit te halen. Verwijder het deksel van de tank en giet het vuile water eruit. Installeer de tank opnieuw totdat deze op zijn plaats vastklikt.

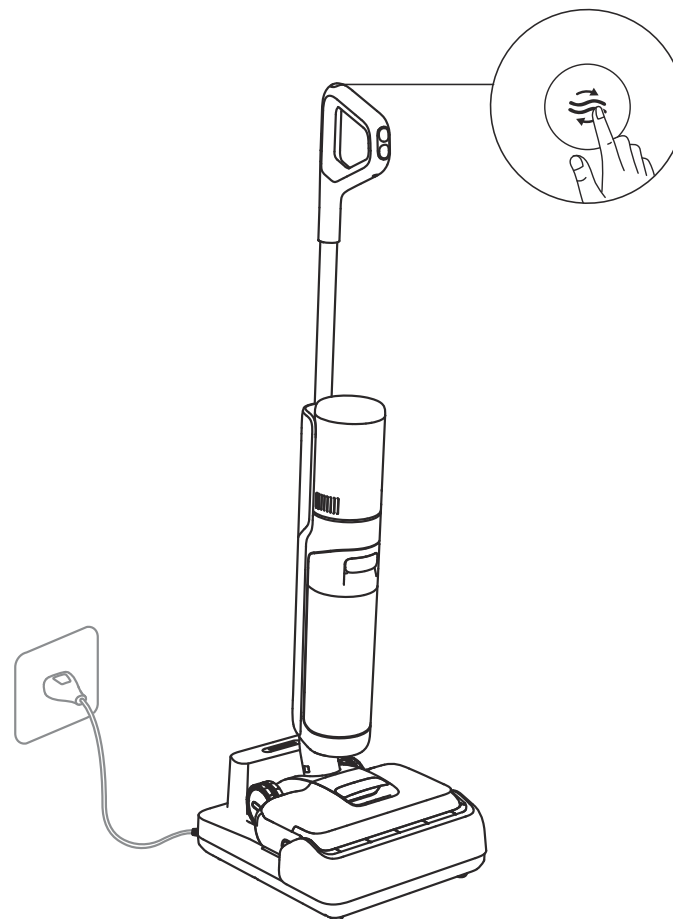


## Zelfreinigingsmodus

1. Plaats het apparaat na het reinigen onmiddellijk terug in het station en zorg ervoor dat de schoonwatertank voldoende gevuld is.
2. Druk kort op  op de bovenkant van het handvat om de zelfreiniging te starten/stoppen. Schakel over naar de droogstand volgens de gesproken aanwijzingen.
3. Nadat de zelfreiniging is voltooid, schakelt het apparaat automatisch over naar de droogmodus; leeg de vuilwatertank onmiddellijk. Druk op  om de droogstand te verlaten.

## Droogmodus

1. Houd de zelfreinigingsknop  3 seconden ingedrukt om de droogmodus te activeren.
2. Het apparaat wordt opgeladen zodra het drogen is voltooid.



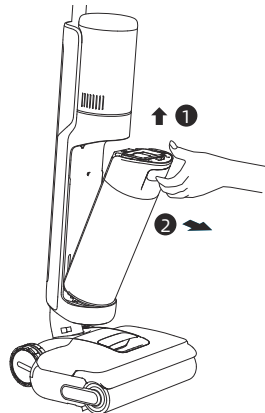
Opmerking: Zelfreiniging kan alleen worden ingeschakeld als het apparaat wordt opgeladen en het accuniveau meer dan 20% is.

**Tips**

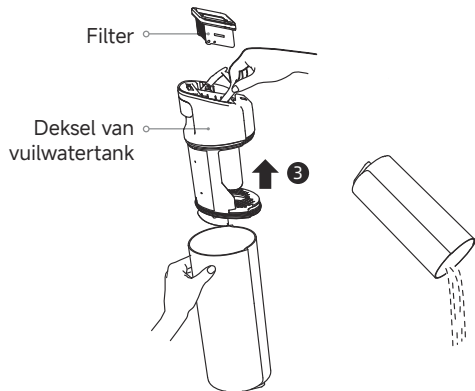
- Schakel het apparaat uit vóór het onderhoud. Zorg ervoor dat u niet per ongeluk op de aan/uit-knop drukt.
- Vervang onderdelen indien nodig. De onderdelen moeten worden vervangen door onderdelen die bij de fabrikant of diens serviceagent verkrijgbaar zijn.
- Als het apparaat langere tijd niet wordt gebruikt, laad het dan volledig op, trek de stekker uit het stopcontact en bewaar het op een koele, droge plaats uit de buurt van direct zonlicht. Laad het apparaat ten minste eenmaal per 3 maanden op om te voorkomen dat de accu te diep ontladtd.

**De vuilwatertank reinigen**

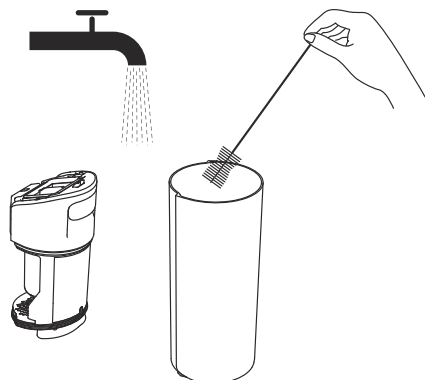
1. Trek aan de hendel van de tank om de vuilwatertank eruit te halen.



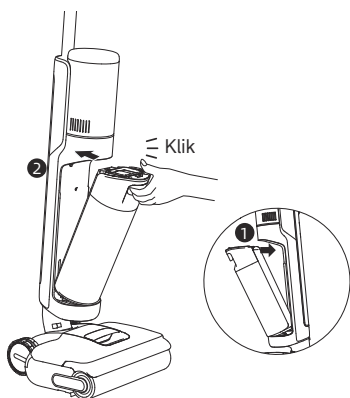
2. Verwijder het filter uit het deksel van de tank. Til het deksel op en giet het vuile water eruit.



3. Spoel de tank en het tankdeksel met schoon water af. Gebruik de meegeleverde reinigingsborstel om de binnenwanden van de tank te schrobben.



4. Plaats het filter van het deksel van de tank terug. Plaats dan de vuilwatertank terug totdat u een klik hoort.

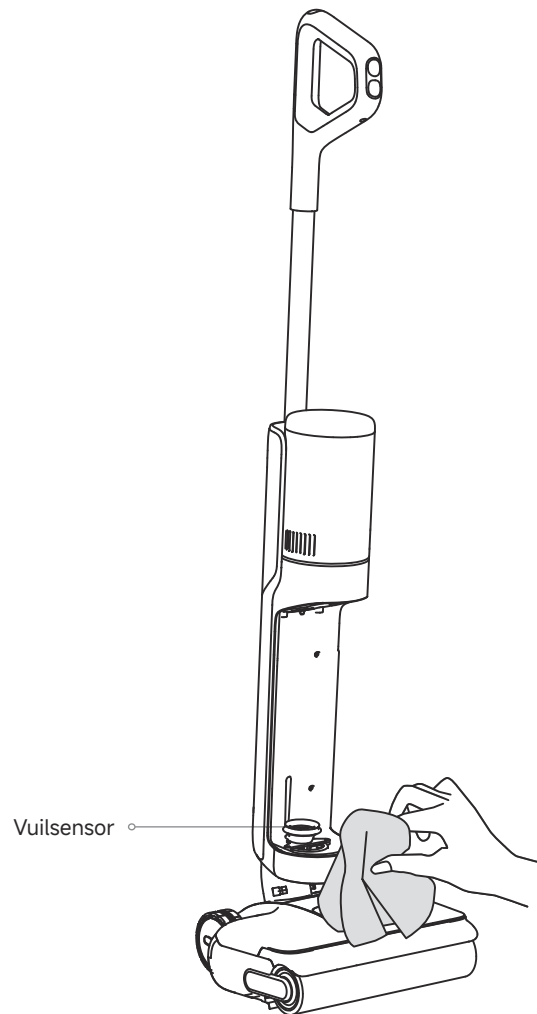


**Opmerking:**

- Als het filter vuil is, spoel het dan met schoon water en droog het volledig af vóór gebruik.
- Het wordt aanbevolen om het filter elke 3 tot 6 maanden te vervangen.

**De buis en de vuilsensor reinigen**

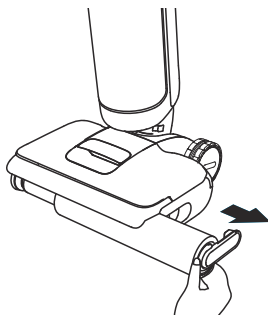
Verwijder de vuilwatertank en veeg de buis en de vuilsensor voorzichtig af met een natte doek.



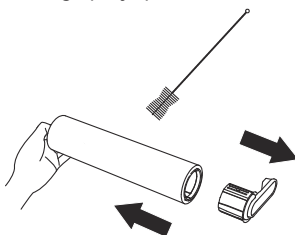
Opmerking: Spoel de buis of de vuilsensor niet met water af.

### De borstelconstructie reinigen

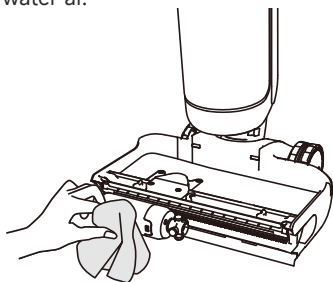
1. Trek aan de hendel om de rolborstel te verwijderen.



3. Het wordt aanbevolen om de rolborstel om de 3 tot 6 maanden te vervangen. Verwijder de hendel van de rolborstel om hem te vervangen door een nieuwe rolborstel en druk hem stevig op zijn plaats.



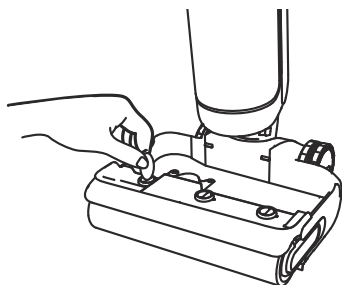
5. Veeg de aanzuigopening met een droge of natte doek schoon. Spoel het niet met water af.



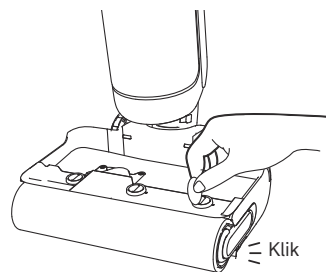
2. Gebruik de meegeleverde reinigingsborstel om de rolborstel te reinigen, spoel de rolborstel vervolgens af met schoon water en droog hem volledig af.



4. Gebruik een muntstuk om de vergrendelknoppen op het deksel van de rolborstel te draaien om het los te maken.



6. Plaats dan de rolborstel en hendel terug totdat u een klik hoort.








Als er een fout optreedt, stopt het apparaat met werken. Raadpleeg de volgende tabel voor het oplossen van problemen. Als het probleem aanhoudt, neem dan contact op met de klantenservice.

Probleem	Mogelijke oorzaak	Oplossing
Het apparaat werkt niet.	De accu van het apparaat is leeg of het accuniveau is laag.	Laad het apparaat volledig op voor gebruik.
	Het apparaat staat rechtop.	Kantel het apparaat achterover.
	Oververhittingsbeveiliging is geactiveerd vanwege blokkering.	Verwijder de verstopping en wacht tot de temperatuur weer normaal is.
	De vuilwatertank is vol.	Maak de vuilwatertank leeg.
Het apparaat laadt langzaam op.	De onderdelen zijn niet op hun plaats geïnstalleerd.	Zorg ervoor dat alle onderdelen op hun plaats zitten.
	De temperatuur van de batterij is te laag of te hoog.	Wacht tot de temperatuur van de batterij weer normaal is.
De zuigkracht van het apparaat is zwak.	Het filter is verstopt.	Maak het filter schoon.
	De aanzuigopening of -slang is geblokkeerd door een vreemd voorwerp.	Reinig de buis en de aanzuigopening.
De motor maakt een raar geluid.	Er zit te veel vuil water in de vuilwatertank.	Maak de vuilwatertank leeg.
	De aanzuigopening is geblokkeerd.	Verwijder eventuele verstoppingen in de aanzuigopening.
De stofconcentratie-indicator blijft rood branden.	Maak de vuilsensor schoon.	De vuilsensor bevindt zich in de buis. Volg de instructies voor het schoonmaken.
	De concentratie van het reinigingsmiddel is te hoog.	Verdun het reinigingsmiddel met water tot de aanbevolen verhouding.
	Reinigingsmiddel van derden veroorzaakt een grote hoeveelheid schuim.	Gebruik alleen het officieel goedgekeurde reinigingsmiddel.
Het scherm licht niet op tijdens het opladen.	De stekker van het oplaadstation is niet goed in het stopcontact aangesloten.	Zorg ervoor dat de stekker van het oplaadstation goed aangesloten is..
	Het apparaat is niet goed op het oplaadstation geplaatst.	Zorg ervoor dat het apparaat correct op het oplaadstation is geplaatst.
Er komt geen water uit het apparaat.	De schoonwatertank is niet goed geïnstalleerd of er zit onvoldoende water in.	Installeer of vul de schoonwatertank opnieuw.
	Het duurt 30 seconden om de borstelrol te bevochtigen.	Controleer dit na een tijdje opnieuw.

De luchtuitleat lekt water.	Een botsing of een stevige ruk veroorzaakt het binnendringen van water in de motor.	Beweeg het apparaat voorzichtig heen en weer terwijl het is ingeschakeld.
	Het filter is niet goed droog na reiniging.	Droog vóór gebruik het filter volledig af.
Zelfreiniging werkt niet.	De rolborstel kan vastgelopen zijn door grote vuildeeltjes	Verwijder het deksel van de rolborstel om de rolborstel te controleren en te reinigen.
	Het apparaat is niet goed op het oplaadstation geplaatst.	Zorg ervoor dat het apparaat wordt opgeladen voordat u de zelfreinigingsfunctie inschakelt.
	De zelfreiniging kan niet worden ingeschakeld als het batterijniveau lager dan 20% is.	Zelfreiniging kan alleen worden ingeschakeld als het apparaat wordt opgeladen en het batterijniveau meer dan 20% is.
	De vuilwatertank is vol.	Maak de vuilwatertank leeg.
	De schoonwatertank is niet goed geïnstalleerd of er zit onvoldoende water in.	Installeer of vul de schoonwatertank opnieuw.
Slechte droogprestaties of vreemd geluid tijdens het drogen.	De luchtuitleat en luchtinlaat van het oplaadstation kunnen mogelijk geblokkeerd zijn.	Controleer en verhelp de verstopping van de luchtuitleat en luchtinlaat.

Neem voor extra service contact met ons op via [aftersales@dreame.tech](mailto:aftersales@dreame.tech)  
 Website: <https://global.dreametech.com>

Als het apparaat niet goed werkt, verschijnt op het scherm een foutmelding. Raadpleeg de onderstaande tabel om de oplossing te vinden.

Foutpictogram	Mogelijke oorzaak	Oplossing
	Er is onvoldoende schoon water.	Vul de schoonwatertank.
	De vuilwatertank is vol.	Maak de vuilwatertank leeg.
	Rolborstel zit vast.	Maak de rolborstel schoon.
	De buis is verstopt.	Raadpleeg het gedeelte Verzorging en onderhoud om de buis en de vuilsensor (onder de vuilwatertank) te reinigen.
	De rolborstel en de buis zijn vuil.	Plaats het apparaat terug op het oplaadstation voor zelfreiniging.

Foutcode	Mogelijke oorzaak	Oplossing
E1-E7	Storing	Start het apparaat opnieuw op. Als het probleem aanhoudt, neem dan contact op met de klantenservice.
H1-H6		
H7	Accu raakt oververhit	Wacht tot de temperatuur van de batterij weer normaal is.

Stofzuigen			
Model	HHR44A	Nominaal vermogen	400 W
Nominale spanning	21,6 V ===	Oplaadspanning	27 V ===
Capaciteit van schoonwatertank	780 ml	Capaciteit van vuilwatertank	700 ml
Oplaadtijd	Ongeveer 4 uur	Looptijd	50 min. (stille modus)
Oplaadstation			
Model	HCBAB	Nominaal ingangsvermogen*	670 W
Nominale ingang	220-240 V ~ 50-60 Hz	Nominale uitgang	27 V === 1,6 A

\* Het nominale ingangsvermogen verwijst naar het gemeten vermogen tijdens een representatieve cyclus voor het inschakelen van de droogmodus.

\* Wanneer het apparaat volledig is opgeladen, schakelt het na 10 minuten automatisch over naar de stand-bymodus, met een energieverbruik van 0,49 W.

De ingebouwde lithium-ion-accu bevat stoffen die gevaarlijk zijn voor het milieu. Voordat u de accu weggooit, moet u ervoor zorgen dat de accu door gekwalificeerde technici wordt verwijderd en bij een geschikt recyclingbedrijf wordt ingeleverd.

- De accu moet uit het apparaat worden verwijderd voordat deze wordt afgevoerd.
- Bij het verwijderen van de accu moet het apparaat van de stroomvoorziening worden losgekoppeld.
- De accu moet veilig worden afgevoerd.

**VOORZICHTIG:**

- Voordat u de accu verwijdert, moet u de stroom uitschakelen en de accu zoveel mogelijk leeg laten lopen.
- Niet-gebruikte accu's moeten worden afgevoerd naar een geschikt recyclingbedrijf.
- Stel de accu niet bloot aan hoge temperaturen om explosiegevaar te voorkomen.
- Onder extreme omstandigheden kan de accu vloeistof lekken. Als dit gebeurt, spoelt u met water en roept u medische hulp in.

**Verwijderingsgids**

1. Gebruik gereedschap om het scherm te verwijderen.
2. Gebruik gereedschap om de schroeven van het deksel van de accu te verwijderen en wrik het deksel los.
3. Maak de klemmen tussen de accu en het moederbord los om de accu te verwijderen.

# Instruções de segurança importantes

Leia atentamente este manual antes de o utilizar e guarde-o para referência futura.

Quando utilizar um aparelho elétrico, deve seguir sempre as precauções básicas, incluindo as seguintes:

LEIA TODAS AS INSTRUÇÕES ANTES DE UTILIZAR ESTE APARELHO. O não cumprimento dos avisos e instruções pode resultar em choque elétrico, incêndio e/ou ferimentos graves.

**AVISO** — Para reduzir o risco de incêndio, choque elétrico ou ferimentos:

## Restrições de utilização

- Este produto não deve ser utilizado por crianças com menos de 8 anos de idade nem por pessoas com deficiências físicas, sensoriais, intelectuais, ou com experiência ou conhecimentos limitados sem a supervisão de um progenitor ou tutor para garantir um funcionamento seguro e para evitar quaisquer riscos. A limpeza e a manutenção não devem ser efetuadas por crianças sem supervisão.
- As películas de plástico podem ser perigosas. Para evitar o perigo de asfixia, mantenha-as afastadas das crianças. As crianças não devem brincar com este aparelho.
- Utilize apenas em interiores, em superfícies de pavimento não alcatifadas, como vinil, azulejo, madeira impermeabilizada, etc. Tenha cuidado para não passar por cima de objetos soltos ou das extremidades de tapetes. O bloqueio da escova pode resultar numa falha prematura da correia.
- Utilize apenas como descrito neste manual do utilizador. Utilize apenas os acessórios recomendados pelo fabricante.
- Não exponha o aparelho ao fogo ou a temperaturas excessivas. A exposição ao fogo ou a temperaturas excessivas pode provocar uma explosão.
- Não utilize em ambientes extremamente quentes ou frios (abaixo de 5 °C/41 °F ou acima de 40 °C/104 °F). Carregue o aparelho a uma temperatura superior a 5 °C/41 °F e inferior a 40 °C/104 °F.
- Não mergulhe o aparelho em líquido.
- Não utilize para recolher líquidos inflamáveis ou combustíveis, como gasolina. Não utilize em áreas onde possam estar presentes líquidos inflamáveis ou combustíveis.
- Não coloque nenhum objeto nas aberturas. Não utilize o aparelho quando qualquer das suas aberturas estiver bloqueada. Mantenha-o livre de pó, algodão, cabelos e tudo o que possa inibir o fluxo de ar.
- Não apanhe materiais tóxicos (lixívia com cloro, amoníaco, desentupidor de canos, etc.). Não apanhe objetos duros ou afiados, como vidros, pregos, parafusos, moedas, etc.
- Não utilize o aparelho num espaço fechado cheio de vapores libertados por tintas à base de óleo, diluente, algumas substâncias à prova de traça, poeiras inflamáveis ou outros vapores explosivos ou tóxicos. Não apanhe nada que esteja a arder ou a fumar, como cigarros, fósforos ou cinzas quentes.
- Não utilize o aparelho sem os filtros colocados.
- Mantenha o cabelo, a roupa larga, os dedos e todas as partes do corpo afastados das aberturas e das peças móveis do aparelho e dos seus acessórios.
- Mantenha os cabos que estão no chão afastados do aparelho durante a sua utilização. Pode ocorrer um perigo se o aparelho passar por cima de um cabo de alimentação.
- Tenha muito cuidado ao limpar escadas.

# Instruções de segurança importantes

## Manutenção e armazenamento

- Evite um arranque involuntário. Certifique-se de que o interruptor está na posição OFF (Desligado) antes de pegar ou transportar o aparelho. Transportar o aparelho com o dedo no interruptor ou ligar o aparelho durante o transporte, pode provocar um acidente.
- Certifique-se de que o aparelho é colocado numa superfície horizontal. Não utilize o aparelho na mesma posição se este estiver equipado com um rolo de escova e se a pega não estiver completamente na vertical. Não guarde o aparelho num local onde possa congelar.
- Desligue e retire a ficha da tomada quando não estiver a ser utilizado, antes de proceder à limpeza, manutenção ou conservação do aparelho e antes de o ligar ou desligar com uma escova em movimento.
- Não utilize um aparelho que esteja danificado ou que tenha sido modificado. Um aparelho danificado ou modificado pode apresentar um comportamento imprevisível, resultando em incêndio, explosão ou risco de ferimentos.
- Não modifique nem tente reparar o aparelho, exceto conforme indicado nas instruções de utilização e de cuidados a ter com o mesmo.
- Não utilize o aparelho com um acessório danificado (por exemplo: base de carregamento, cabo de alimentação, etc.). Se o aparelho ou acessório tiver caído, se tiver sido danificado, deixado ao ar livre, se tiver caído na água ou não estiver a funcionar como deveria, nunca o tente utilizar. Mande-o reparar num centro de assistência autorizado.
- Mande efetuar a manutenção por um técnico qualificado, utilizando apenas peças de substituição idênticas. Desta forma, garante a segurança do aparelho.
- Se o acessório estiver danificado, deve ser substituído pelo fabricante, pelo seu agente de assistência técnica ou por pessoas igualmente qualificadas, de modo a evitar um risco.

## Bateria e carregamento

- Para recarregar o aparelho, utilize apenas a base de carregamento fornecida com o mesmo. Utilize apenas com a base de carregamento HCBAB.
- Siga todas as instruções de carregamento e não carregue o aparelho fora do intervalo de temperatura especificado na bateria, uma vez que isso aumenta o risco de incêndio.
- A base de carregamento está equipada com uma função de secagem que só é adequada para secar a escova deste aparelho.
- Mantenha o cabo da base de carregamento afastado de superfícies aquecidas. Não pegue na ficha da base de carregamento ou no aparelho com as mãos molhadas. Para desligar, agarre na ficha da base de carregamento e não no cabo.
- Não puxe nem transporte o adaptador pelo cabo, não utilize o cabo como pega, não feche a porta sobre ele nem o puxe à volta de esquinas ou cantos afiados.
- Não utilize qualquer bateria não recarregável. Se não o fizer, pode provocar um incêndio na bateria de iões de lítio. Este produto contém baterias que só podem ser substituídas por técnicos qualificados ou pelo serviço pós-venda.
- A bateria de iões de lítio contém substâncias que são perigosas para o ambiente. Antes de eliminar o aparelho, retire primeiro a bateria, depois descarte-a ou recicle-a de acordo com as leis e regulamentos locais do país ou região em que é utilizada.

# Instruções de segurança importantes

- Para retirar a bateria, deve desligar o aparelho da rede elétrica. Mantenha as baterias fora do alcance das crianças. Nunca ponha as baterias na boca. Em caso de ingestão, contacte o seu médico ou a unidade de controlo de envenenamento local.
- Em condições de uso abusivo, nunca se coloque em contacto com a bateria, da qual pode ser expelido líquido. Se ocorrer um contacto accidental, lave com água. Se o líquido entrar em contacto com os olhos, procure imediatamente ajuda médica. O líquido projetado da bateria pode causar irritação ou queimaduras.
- A base de carregamento é capaz de carregar a bateria de 6 células de 4000 mAh. Esta base de carregamento não deve ser utilizada para carregar baterias não recarregáveis. Se não o fizer, pode provocar um incêndio na bateria de íões de lítio.

## Símbolos



Equipamento de Classe II



Elo fusível miniatura com desfasamento temporal em que T 3.15A é o símbolo da característica tempo/corrente



Apenas para utilização no interior



Leia o manual do operador



Cuidado: superfície quente



### Informação sobre o REEE

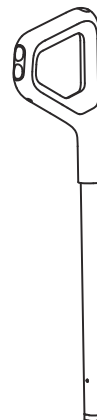
Todos os produtos com este símbolo são resíduos de equipamentos elétricos e eletrónicos (REEE, como especificado na Diretiva 2012/19/UE) que não devem ser misturados com resíduos domésticos não selecionados. Em vez disso, deve proteger a saúde humana e o ambiente, entregando os seus resíduos de equipamentos num ponto de recolha designado para a reciclagem de resíduos de equipamentos elétricos e eletrónicos, designado pelo governo ou pelas autoridades locais. A eliminação e reciclagem corretas ajudarão a prevenir potenciais consequências negativas para o ambiente e a saúde humana. Por favor, contacte o instalador ou as autoridades locais para mais informações sobre o local, bem como sobre os termos e condições desses pontos de recolha.

Nós, a Dreame Trading (Tianjin) Co., Ltd., declaramos que este equipamento está em conformidade com as Diretivas, Normas Europeias e alterações aplicáveis. O texto completo da declaração de conformidade da UE está disponível no seguinte endereço de Internet: <https://global.dreameotech.com>

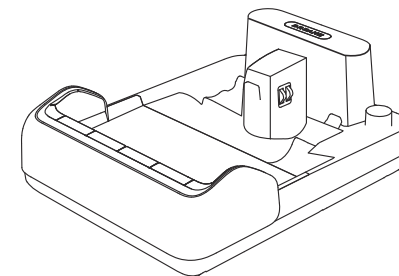
Para obter o manual eletrónico pormenorizado, consulte <https://global.dreameotech.com/pages/user-manuals-and-faqs>

# Visão geral do produto

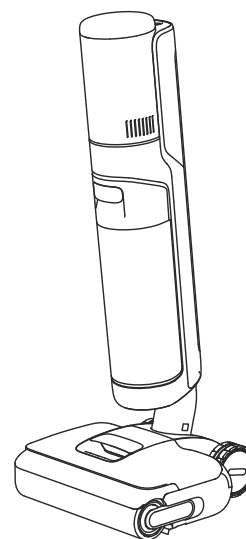
## Lista da Embalagem



Pega



Base de carregamento



Corpo principal



Escova de limpeza



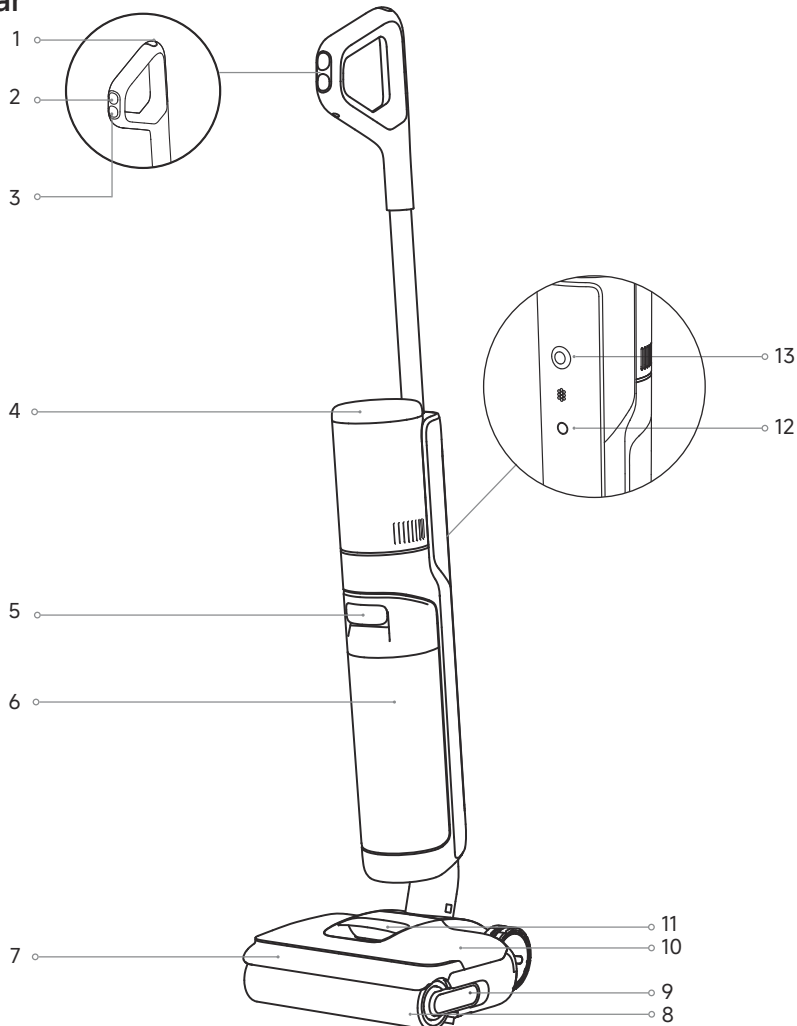
Escova de rolo sobresselente



Filtro de substituição

# Visão geral do produto

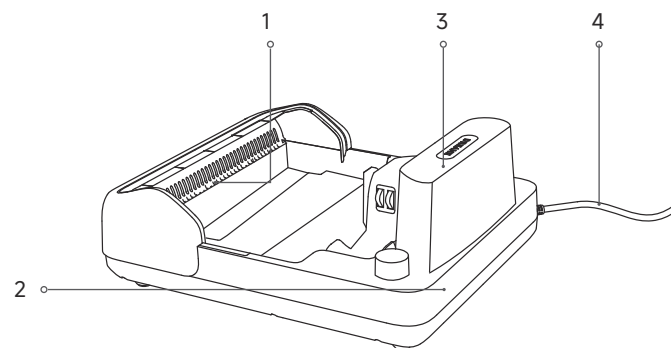
## Aspirar



- |   |                                |    |                             |    |   |
|---|--------------------------------|----|-----------------------------|----|---|
| 1 | Botão de autolimpeza           | 6  | Depósito de água usada      | 11 | Pega do depósito de água limpa  |
| 2 | Interruptor de modo            | 7  | Cobertura da escova de rolo | 12 | Botão do aviso por voz  |
| 3 | Interruptor de alimentação     | 8  | Escola de rolo              |    | • Prima brevemente para ativar a mensagem de voz ou ajustar o volume.     |
| 4 | Visor                          | 9  | Cabo da escova de rolo      |    | • Prima e mantenha premido durante 3 segundos para alternar entre idiomas |
| 5 | Pega do depósito de água usada | 10 | Depósito de água limpa      | 13 | Roda omnidirecional   |

# Visão geral do produto

## Base de carregamento



- |   |                        |   |  |   |                           |   |                     |
|---|------------------------|---|--|---|---------------------------|---|---------------------|
| 1 | Saída do ar de secagem | 2 | Ranhura de armazenamento de acessórios | 3 | Contactos de carregamento | 4 | Cabo de alimentação |
|---|------------------------|---|--|---|---------------------------|---|---------------------|

## Visor



- |   |                           |                                       |  |                                     |   |                   |
|---|---------------------------|---------------------------------------|--|-------------------------------------|---|-------------------|
| 1 | Modo Turbo                | 5                                     | Mensagens de erro  | 7                                   | Modo de autolimpeza                           |                   |
| 2 | Modo inteligente          | Água limpa insuficiente               | 8  | Indicador da bateria                | • Cor de laranja fixo: nível da bateria ≤ 20% |                   |
| 3 | Modo de secagem           | Depósito de água usada cheio          |  | • Desligado: nível da bateria > 20% | 9   | Modo de aspiração |
| 4 | Indicador de carregamento | Tubo entupido                         |  |                                     | 10  | Modo silencioso   |
|   |                           | A escova de rolo está presa.          |  |                                     |   |                   |
|   |                           | A escova de rolo e o tubo estão sujos |  |                                     |   |                   |
|   |                           | 6                                     | Concentração de poeiras e progresso da autolimpeza/secagem |                                     |   |                   |

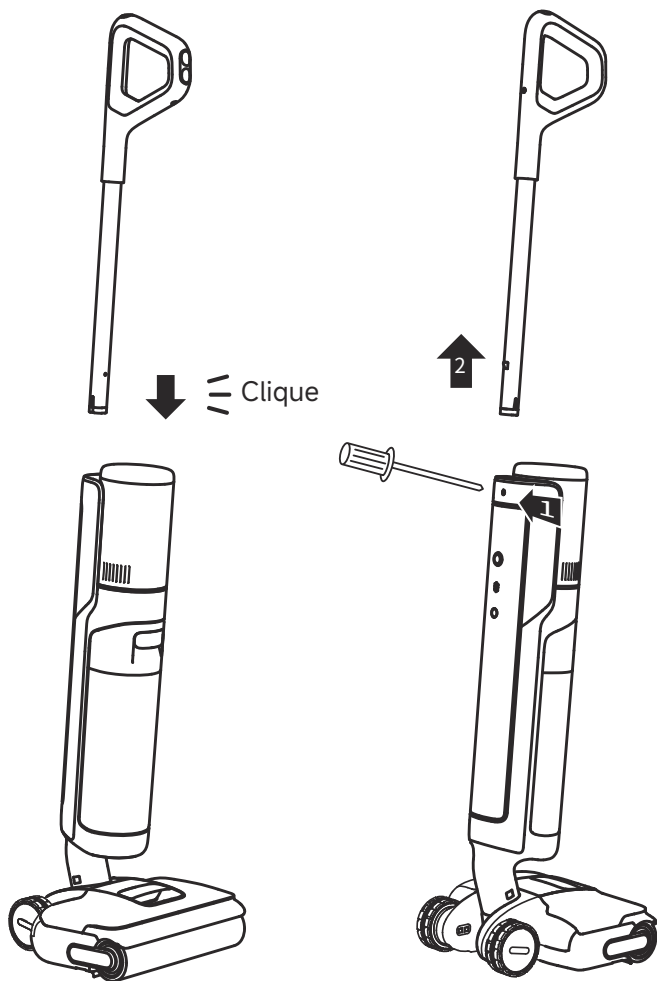
### Nota:

- O ecrã apresentará uma mensagem de erro se o aparelho não estiver a funcionar corretamente. Consulte a tabela de Avisos de erro e Soluções para encontrar a sua solução.
- Apenas para referência. A aparência real e o ecrã de visualização do produto prevalecerão.

# Instalação

## Instalar a pega

Introduza a extremidade do cabo verticalmente na ranhura situada na parte superior do aparelho, como indicado, até ouvir um clique.



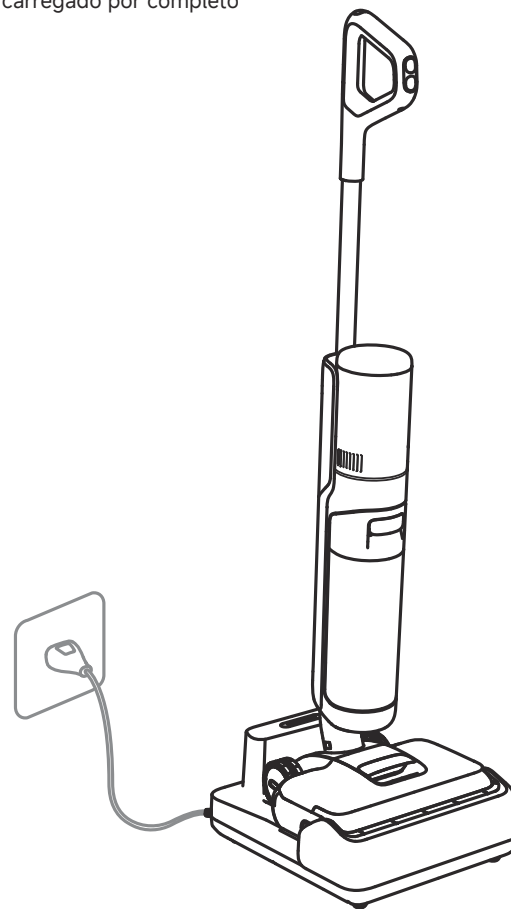
Nota: para desmontar, introduza um objeto duro no orifício do aparelho, como indicado, para pressionar os contactos e puxe a pega para cima ao mesmo tempo.

# Carregamento

1. Coloque a base de carregamento contra uma parede num terreno plano e ligue-a a uma fonte de alimentação. Carregue totalmente o aparelho antes da primeira utilização.
2. Coloque o aparelho sobre a base de carregamento. Quando o número no ecrã do visor atingir 100, a bateria está totalmente carregada.

## ⚡ Indicador de carga/bateria fraca


- Cor de laranja intermitente: nível da bateria  $\leq$  20% (a carregar)
- Verde intermitente: nível da bateria  $>$  20% (a carregar)
- Verde fixo: carregado por completo







## Nota:

- Se não ocorrer qualquer operação durante 10 minutos após o carregamento completo, o aparelho entrará no modo de suspensão. Reinicie o aparelho quando precisar de o utilizar novamente.
- Para prolongar a sua vida útil, a bateria arrefece automaticamente (durante cerca de 1 hora) antes de ser recarregada depois de o produto ter estado em funcionamento contínuo durante um longo período de tempo. (o tempo de arrefecimento é de cerca de 1 hora).

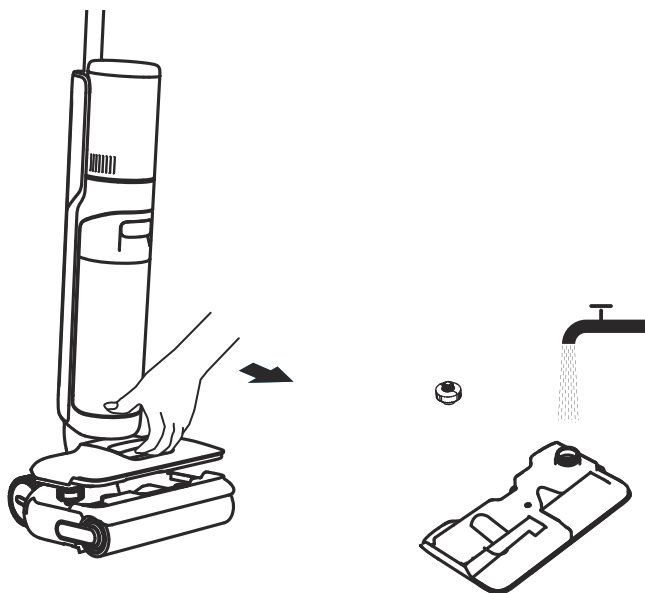
### Mudar de modos

Prima  para mudar de modos consoante as suas necessidades.



-  **Modo Turbo**  
Máximo poder de sucção e maior fluxo de água para manchas difíceis em pisos rígidos.
-  **Modo inteligente**  
O aparelho deteta o nível da mancha e ajusta de forma inteligente a potência de sucção e o fluxo de água em conformidade.
-  **Modo silencioso**  
O aparelho mantém uma potência de aspiração moderada com um nível de ruído baixo.
-  **Modo de aspiração**  
Apenas vácuo seco sem distribuição de água.

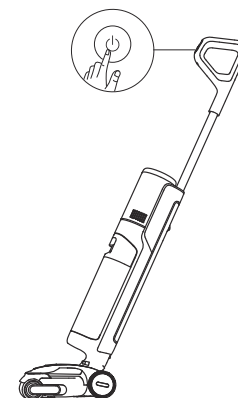
### Encha o depósito de água limpa

Retire o depósito de água limpa. Abrir a cobertura do reservatório e encha-o com água limpa suficiente. Volte a instalar o depósito e certifique-se de que encaixa no lugar.



### Iniciar a limpeza

Pise suavemente a cobertura da escova e recline o aparelho para trás. Prima  para iniciar a limpeza. Prima  para mudar de modos consoante as suas necessidades.

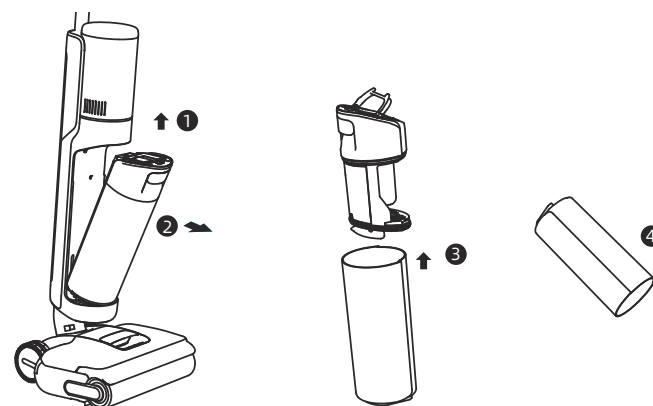


Nota:


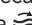
- Não aspire líquidos com espuma.
- Se o aparelho estiver na posição vertical durante o trabalho, a tarefa em curso será suspensa.
- O aparelho só é adequado para a limpeza de superfícies rígidas, tais como soalhos de madeira, mármore e azulejos.
- Pressione a escova contra o chão quando a utilizar.
- Durante o funcionamento do aparelho, não o levante, não o desloque, não o coloque na horizontal nem o incline para evitar que a água suja entre no motor.

### Esvazie o depósito de água usada


Puxe a pega do depósito para retirar o depósito de água usada. Retire a cobertura do depósito e deite fora a água usada. Volte a instalar o depósito e certifique-se de que encaixa no lugar.

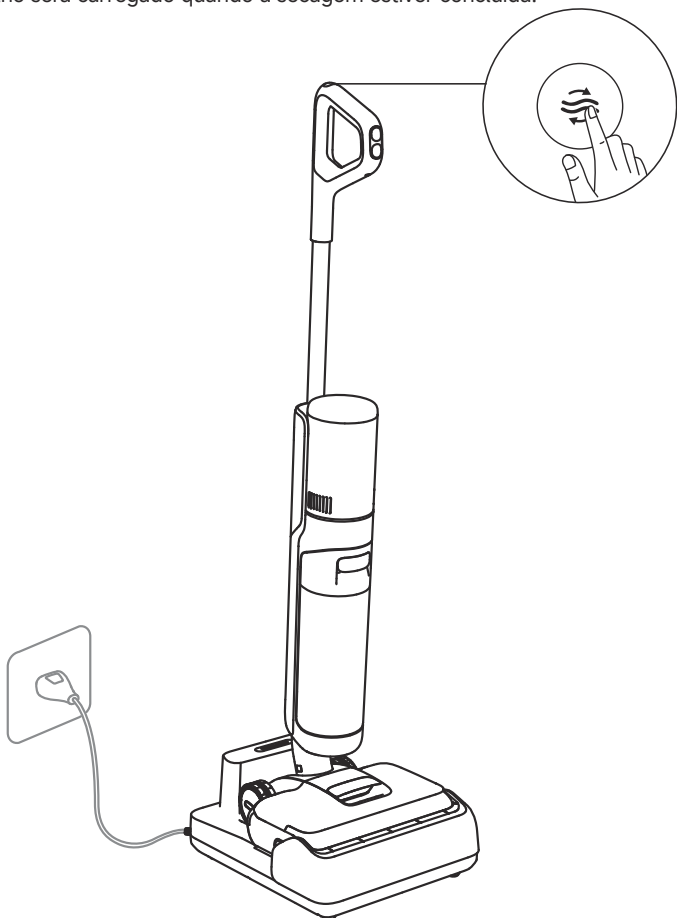


### Modo de autolimpeza

1. Após a limpeza, volte imediatamente a colocar o aparelho na base e certifique-se de que o depósito de água limpa está suficientemente cheio.
2. Prima brevemente  na parte superior da pega para iniciar/parar a autolimpeza. Mudar o modo de secagem de acordo com as instruções de voz.
3. Depois de terminada a autolimpeza, o aparelho entra automaticamente no modo de secagem; esvazie imediatamente o depósito de água usada. Para sair do modo de secagem, prima .

### Modo de secagem

1. Prima e mantenha premido o botão de autolimpeza  durante 3 segundos para ativar o modo de secagem.
2. O aparelho será carregado quando a secagem estiver concluída.



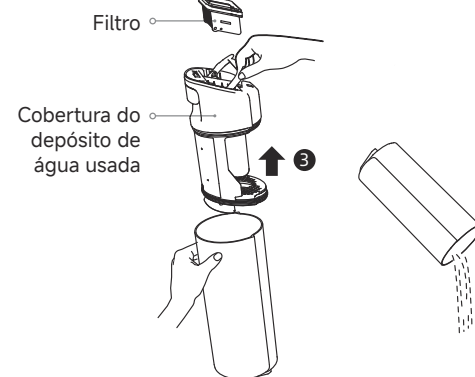
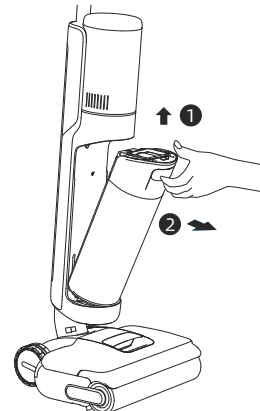
Nota: a autolimpeza só pode ser ativada quando o aparelho está a ser carregado e o nível da bateria é superior a 20%.

### Sugestões

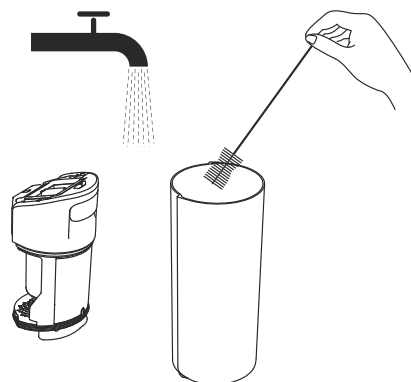
- Desligue o aparelho antes da manutenção. Tenha cuidado para não premir acidentalmente o botão de alimentação.
- Substitua as peças, se necessário. As peças devem ser substituídas pelas que se encontram disponíveis no fabricante ou no seu agente de assistência.
- Se o aparelho não for utilizado durante um longo período de tempo, carregue-o completamente, desligue a ficha de alimentação e guarde-o num local fresco e seco, longe da luz solar direta. Carregue o aparelho, pelo menos, uma vez a cada 3 meses para evitar que a bateria se descarregue demasiado.

### Limpe o depósito de água usada

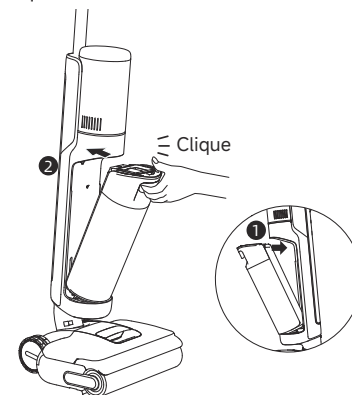
1. Puxe a pega do depósito para retirar o depósito de água usada.
2. Retire o filtro da cobertura do reservatório. Levante a cobertura e deite fora a água usada.



3. Lave o depósito e a cobertura do depósito com água limpa. Utilize a escova de limpeza fornecida para esfregar as paredes interiores do depósito.



4. Volte a instalar o filtro e a cobertura do depósito. Em seguida, volte a instalar o depósito de água usada até ouvir um clique.

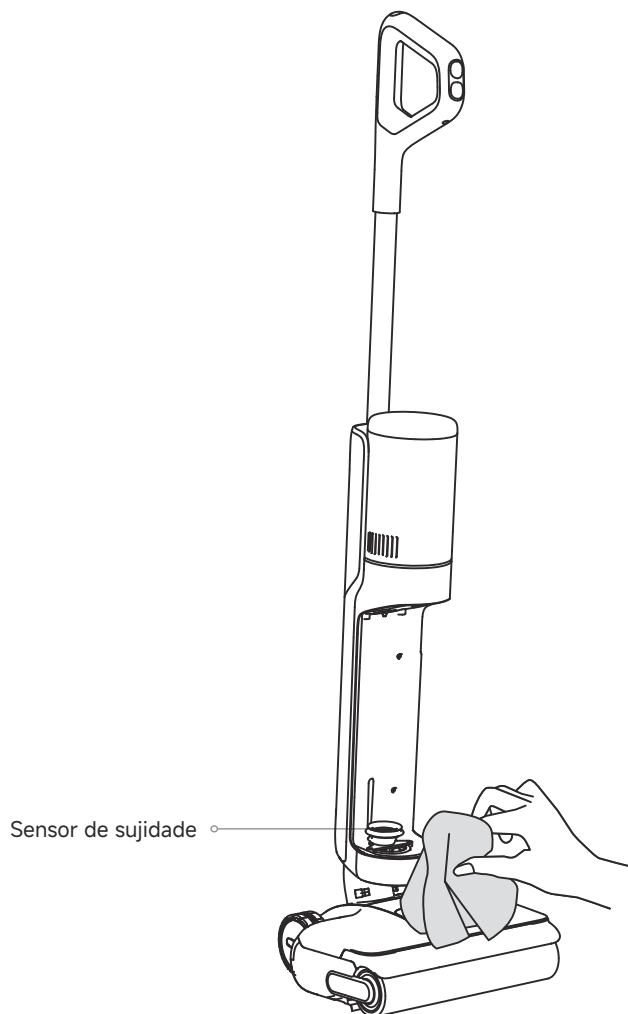


Nota:

- Se o filtro estiver sujo, lave-o com água limpa e seque-o completamente antes de o utilizar.
- Recomenda-se a substituição do filtro a cada 3 a 6 meses.

## Limpe o tubo e o sensor de sujidade

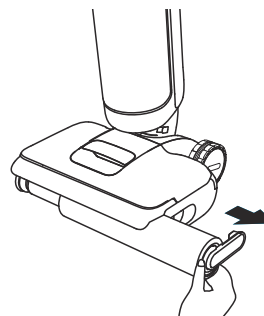
Retire o depósito de água usada e limpe suavemente o tubo e o sensor de sujidade com um pano húmido.



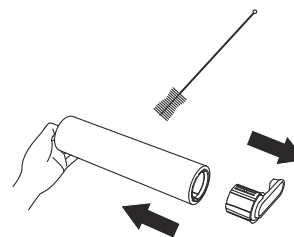
Nota: não lave o tubo ou o sensor de sujidade com água.

## Limpe do conjunto da escova

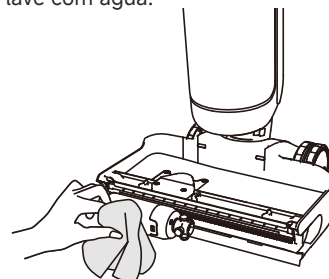
1. Puxe a pega para remover a escova de rolo.



3. Recomenda-se a substituição da escova de rolo a cada 3 a 6 meses. Retire a pega da escova de rolo para substituir esta por uma nova e pressione-a firmemente no lugar.



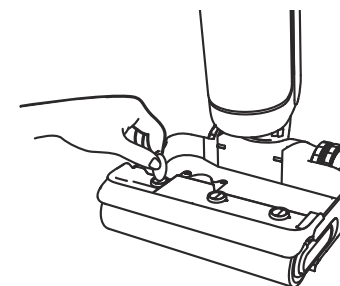
5. Limpe a entrada de sucção com um pano seco ou um lenço de papel húmido. Não lave com água.



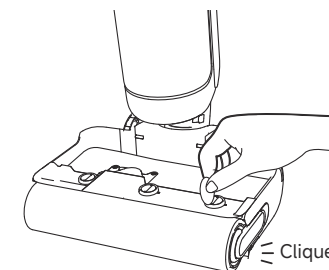
2. Utilize a escova de limpeza fornecida para limpar a escova de rolo, depois lave a mesma com água limpa e seque-a completamente.



4. Utilize uma moeda para rodar os botões de bloqueio da cobertura da escova de rolo para a retirar.



6. Volte a instalar a escova de rolo e a pega até ouvir um clique.



## Resolução de problemas

Se ocorrer um erro, o aparelho deixará de funcionar. Consulte a tabela seguinte para a resolução de problemas. Se o problema persistir, contacte o serviço pós-venda.

Problema	Possível causa	Solução
O aparelho não funciona.	O aparelho está sem bateria ou o nível da bateria está baixo.	Carregue totalmente o aparelho antes de o utilizar.
	O aparelho está na posição vertical.	Recline o aparelho para trás.
	A proteção contra sobreaquecimento é ativada devido a um bloqueio.	Elimine o entupimento e aguarde até que a temperatura volte ao normal.
	O depósito de água usada está cheio.	Esvazie o depósito de água usada.
	As peças não estão instaladas no seu lugar.	Certifique-se de que todas as peças estão instaladas no devido lugar.
O carregamento do aparelho é lento.	A temperatura da bateria é demasiado baixa ou demasiado alta.	Aguarde até que a temperatura da bateria volte ao normal.
O poder de sucção do aparelho é fraco.	O filtro está entupido.	Limpar o filtro.
	A entrada ou o tubo de aspiração está bloqueado por um objeto estranho.	Limpe o tubo e a entrada de aspiração.
O motor está a fazer um ruído estranho.	Há demasiada água suja no depósito de água usada.	Esvazie o depósito de água usada.
	A entrada de aspiração está bloqueada.	Elimine qualquer obstrução na entrada de aspiração.
O indicador de concentração de poeiras está vermelho fixo.	O sensor de sujidade precisa de ser limpo.	O sensor de sujidade está no tubo. Siga as instruções de limpeza.
	A concentração da solução de limpeza é demasiado elevada.	Dilua a solução de limpeza com água na proporção recomendada.
	Uma solução de limpeza de terceiros provocou uma grande quantidade de espuma.	Utilize apenas a solução de limpeza oficialmente aprovada.
O ecrã de visualização não se acende durante o carregamento.	A ficha da base de carregamento não está corretamente inserida na tomada elétrica.	Certifique-se de que a ficha da base de carregamento está inserida no lugar.
	O aparelho não está corretamente colocado na base de carregamento.	Certifique-se de que o aparelho está corretamente colocado na base de carregamento.
Não sai água do aparelho.	O depósito de água limpa não está corretamente instalado ou a água nele contida é insuficiente.	Volte a instalar ou encha o depósito de água limpa.
	Demora 30 segundos a humedecer o rolo de escova.	Volte a verificar passado algum tempo.






## Resolução de problemas

A saída de ar tem fugas de água.	Uma colisão ou um puxão brusco provoca a entrada de água no motor.	Quando ligado, mova o aparelho suavemente para a frente e para trás.
	O filtro não ficou completamente seco depois de ter sido limpo.	Seque completamente o filtro antes de o utilizar.
A autolimpeza falha.	A escova de rolo pode estar bloqueada por detritos de grandes dimensões.	Retire a tampa da escova de rolo para verificar e limpar a mesma.
	O aparelho não está corretamente colocado na base de carregamento.	Certifique-se de que o aparelho está a ser carregado antes de ativar a função de autolimpeza.
	A autolimpeza não pode ser ativada se o nível da bateria for inferior a 20%.	A função de autolimpeza só pode ser ativada quando o aparelho está a ser carregado e o nível da bateria é superior a 20%.
	O depósito de água usada está cheio.	Esvazie o depósito de água usada.
Fraco desempenho de secagem ou ruído estranho durante a secagem.	O depósito de água limpa não está instalado no sítio ou a água nele contida é insuficiente.	Volte a instalar ou encha o depósito de água limpa.
	A saída de ar e a entrada de ar da base de carregamento podem estar bloqueadas.	Verifique e elimine o entupimento da saída e da entrada de ar.

Para serviços adicionais, contacte-nos através do endereço [aftersales@dreame.tech](mailto:aftersales@dreame.tech)  
 Página web: <https://global.dreametech.com>

## Avisos de erro e soluções

Se o aparelho não estiver a funcionar corretamente, o ecrã apresenta uma mensagem de erro. Consulte a tabela abaixo para encontrar a sua solução.

Ícone de erro	Possível causa	Solução
	A água limpa é insuficiente.	Encha o depósito de água limpa.
	O depósito de água usada está cheio.	Esvazie o depósito de água usada.
	A escova de rolo está presa.	Limpe a escova de rolo.
	O tubo está entupido.	Consulte a secção Cuidados e manutenção para limpar o tubo e o sensor de sujidade (por baixo do depósito de água usada).
	O rolo de escova e o tubo estão sujos.	Volte a colocar o aparelho na base para a autolimpeza.

Código de erro	Possível causa	Solução
E1-E7	Mau funcionamento	Reinicie o aparelho. Se o problema persistir, contacte o serviço pós-venda.
H1-H6		
H7	Sobreaquecimento da bateria	Aguarde até que a temperatura da bateria volte ao normal.

## Especificações

Aspirar			
Modelo	HHR44A	Potência nominal	400 W
Tensão nominal	21,6 V ---	Tensão de carregamento	27 V ---
Capacidade do depósito de água limpa	780 ml	Capacidade do depósito de água usada	700 ml
Tempo de carregamento	Aproximadamente 4 horas	Tempo de funcionamento	50 min. (Modo silencioso)
Base de carregamento			
Modelo	HCBAB	Entrada de potência nominal*	670 W
Entrada nominal	220-240 V ~ 50-60 Hz	Saída nominal	27 V --- 1,6 A

\* A potência nominal de entrada refere-se à potência medida durante um ciclo representativo para entrar no modo de secagem.

\* Quando o aparelho está totalmente carregado, entra automaticamente no modo de espera após 10 minutos, com um consumo de energia não superior a 0,49 W.

## PT Descarte e remoção da bateria

A bateria de íões de lítio incorporada contém substâncias que são perigosas para o ambiente. Antes de descartar a bateria, certifique-se de que a bateria é removida por técnicos qualificados e descartada numa instalação de reciclagem apropriada.

- A bateria deve ser retirada do aparelho antes de este ser desmantelado;
- O aparelho deve ser desligado da rede de alimentação ao retirar a bateria;
- a bateria deve ser descartada de forma segura.

### CUIDADO:

- Antes de retirar a bateria, desligue a alimentação e descarregue-a o mais possível.
- As baterias que já não são necessárias devem ser descartadas numa instalação de reciclagem apropriada.
- Evite expor a bateria a temperaturas elevadas para evitar o risco de explosão.
- Em condições de uso abusivo, a bateria pode derramar líquido. Em caso de contacto, lave com água e procure assistência médica.

### Guia de remoção

1. Use ferramentas para remover o ecrã.
2. Utilize ferramentas para retirar os parafusos que fixam a cobertura da bateria e, em seguida, levante a mesma.
3. Desligue os terminais que ligam a bateria à placa principal e retire a bateria.