

INFINITON

Microwave Oven

INSTRUCTION MANUAL

MODEL:MW-0115



Read these instructions carefully before using your microwave oven, and keep it carefully.

If you follow the instructions, your oven will provide you with many years of good service.

SAVE THESE INSTRUCTIONS CAREFULLY

PRECAUTIONS TO AVOID POSSIBLE EXPOSURE TO EXCESSIVE MICROWAVE ENERGY

(a) Do not attempt to operate this oven with the door open since this can result in harmful exposure to microwave energy. It is important not to break or tamper with the safety interlocks.

(b) Do not place any object between the oven front face and the door or allow soil or cleaner residue to accumulate on sealing surfaces.

(c) **WARNING:** If the door or door seals are damaged, the oven must not be operated until it has been repaired by a competent person.

ADDENDUM

If the apparatus is not maintained in a good state of cleanliness, its surface could be degraded and affect the lifespan of the apparatus and lead to a dangerous situation.

Specifications

Model:	MW-0115
Rated Voltage:	230V~ 50Hz
Rated Input Power(Microwave):	1050W
Rated Output Power(Microwave):	700 W
Oven Capacity:	20 L
Turntable Diameter:	∅ 255 mm
External Dimensions:	440x336x259mm
Net Weight:	Approx. 10.35 kg

IMPORTANT SAFETY INSTRUCTIONS

WARNING

To reduce the risk of fire, electric shock, injury to persons or exposure to excessive microwave oven energy when using your appliance, follow basic precautions, including the following:

1. Read and follow the specific: "PRECAUTIONS TO AVOID POSSIBLE EXPOSURE TO EXCESSIVE MICROWAVE ENERGY".
2. This appliance can be used by children aged from 8 years and above and persons with reduced physical, sensory or mental capabilities or lack of experience and knowledge if they have been given supervision or instruction concerning use of the appliance in a safe way and understand the hazards involved. Children shall not play with the appliance. Cleaning and user maintenance shall not be made by children unless they are older than 8 and supervised. Children less than 8 years of age shall be kept away unless continuously supervised.
3. Keep the appliance and its cord out of reach of children less than 8 years.
4. If the supply cord is damaged, it must be replaced by the manufacturer, its service agent or similarly qualified persons in order to avoid a hazard. (For appliance with type Y attachment)
5. **WARNING:** Ensure that the appliance is switched off before replacing the lamp to avoid the possibility of electric shock.

-
6. **WARNING:** It is hazardous for anyone other than a competent person to carry out any service or repair operation that involves the removal of a cover which gives protection against exposure to microwave energy.
 7. **WARNING:** Liquids and other foods must not be heated in sealed containers since they are liable to explode.
 8. When heating food in plastic or paper containers, keep an eye on the oven due to the possibility of ignition.
 9. Only use utensils that are suitable for use in microwave ovens.
 10. If smoke is emitted, switch off or unplug the appliance and keep the door closed in order to stifle any flames.
 11. Microwave heating of beverages can result in delayed eruptive boiling, therefore care must be taken when handling the container.
 12. The contents of feeding bottles and baby food jars shall be stirred or shaken and the temperature checked before consumption, in order to avoid burns.
 13. Eggs in their shell and whole hard-boiled eggs should not be heated in microwave ovens since they may explode, even after microwave heating has ended.
 14. The oven should be cleaned regularly and any food deposits removed.
 15. Failure to maintain the oven in a clean condition could lead to deterioration of the surface that could adversely affect the life of the appliance and possibly result in a hazardous situation.
 16. The appliance must not be installed behind a decorative door in order to avoid overheating. (This is not applicable for appliances with decorative door.)

-
17. Only use the temperature probe recommended for this oven. (for ovens provided with a facility to use a temperature-sensing probe.)
 18. The microwave oven shall not be placed in a cabinet unless it has been tested in a cabinet.
 19. The microwave oven must be operated with the decorative door open. (for ovens with a decorative door.)
 20. This appliance is intended to be used in household and similar applications such as:
 - staff kitchen areas in shops, offices and other working environments;
 - by clients in hotels, motels and other residential type environments;
 - farm houses;
 - bed and breakfast type environments.
 21. The microwave oven is intended for heating food and beverages. Drying of food or clothing and heating of warming pads, slippers, sponges, damp cloth and similar may lead to risk of injury, ignition or fire.
 22. Metallic containers for food and beverages are not allowed during microwave cooking.
 23. The appliance shall not be cleaned with a steam cleaner.
 24. The appliance is intended to be used freestanding.
 25. The rear surface of appliances shall be placed against a wall.

READ CAREFULLY AND KEEP FOR FUTURE REFERENCE

To Reduce the Risk of Injury to Persons Grounding Installation

DANGER

Electric Shock Hazard
Touching some of the internal components can cause serious personal injury or death. Do not disassemble this appliance.

WARNING

Electric Shock Hazard
Improper use of the grounding can result in electric shock. Do not plug into an outlet until appliance is properly installed and grounded.

This appliance must be grounded. In the event of an electrical short circuit, grounding reduces the risk of electric shock by providing an escape wire for the electric current. This appliance is equipped with a cord having a grounding wire with a grounding plug. The plug must be plugged into an outlet that is properly installed and grounded.

Consult a qualified electrician or serviceman if the grounding instructions are not completely understood or if doubt exists as to whether the appliance is properly grounded. If it is necessary to use an extension cord, use only a 3-wire extension cord.

1. A short power-supply cord is provided to reduce the risks resulting from becoming entangled in or tripping over a longer cord.
2. If a long cord set or extension cord is used:
 - 1)The marked electrical rating of the cord set or extension cord should be at least as great as the electrical rating of the appliance.
 - 2)The extension cord must be a grounding-type 3-wire cord.
 - 3)The long cord should be arranged so that it will not drape over the counter top or tabletop where it can be pulled on by children or tripped over unintentionally.

CLEANING

Be sure to unplug the appliance from the power supply.

1. Clean the cavity of the oven after using with a slightly damp cloth.
2. Clean the accessories in the usual way in soapy water.
3. The door frame and seal and neighbouring parts must be cleaned carefully with a damp cloth when they are dirty.
4. Do not use harsh abrasive cleaners or sharp metal scrapers to clean the oven door glass since they can scratch the surface, which may result in shattering of the glass.
5. **Cleaning Tip**---For easier cleaning of the cavity walls that the food cooked can touch: Place half a lemon in a bowl, add 300ml (1/2 pint) water and heat on 100% microwave power for 10 minutes. Wipe the oven clean using a soft, dry cloth.

UTENSILS

CAUTION

Personal Injury Hazard

It is hazardous for anyone other than a competent person to carry out any service or repair operation that involves the removal of a cover which gives protection against exposure to microwave energy.

See the instructions on "Materials you can use in microwave oven or to be avoided in microwave oven." There may be certain non-metallic utensils that are not safe to use for microwaving. If in doubt, you can test the utensil in question following the procedure below.

Utensil Test:

1. Fill a microwave-safe container with 1 cup of cold water (250ml) along with the utensil in question.
2. Cook on maximum power for 1 minute.
3. Carefully feel the utensil. If the empty utensil is warm, do not use it for microwave cooking.
4. Do not exceed 1 minute cooking time.



Materials you can use in microwave oven

Utensils	Remarks
Aluminum foil	Shielding only. Small smooth pieces can be used to cover thin parts of meat or poultry to prevent overcooking. Arcing can occur if foil is too close to oven walls. The foil should be at least 1 inch (2.5cm) away from oven walls.
Browning dish	Follow manufacturer's instructions. The bottom of browning dish must be at least 3/16 inch (5mm) above the turntable. Incorrect usage may cause the turntable to break.
Dinnerware	Microwave-safe only. Follow manufacturer's instructions. Do not use cracked or chipped dishes.
Glass jars	Always remove lid. Use only to heat food until just warm. Most glass jars are not heat resistant and may break.
Glassware	Heat-resistant oven glassware only. Make sure there is no metallic trim. Do not use cracked or chipped dishes.
Oven cooking bags	Follow manufacturer's instructions. Do not close with metal tie. Make slits to allow steam to escape.
Paper plates and cups	Use for short-term cooking/warming only. Do not leave oven unattended while cooking.
Paper towels	Use to cover food for reheating and absorbing fat. Use with supervision for a short-term cooking only.
Parchment paper	Use as a cover to prevent splattering or a wrap for steaming.
Plastic	Microwave-safe only. Follow the manufacturer's instructions. Should be labeled "Microwave Safe". Some plastic containers soften, as the food inside gets hot. "Boiling bags" and tightly closed plastic bags should be slit, pierced or vented as directed by package.
Plastic wrap	Microwave-safe only. Use to cover food during cooking to retain moisture. Do not allow plastic wrap to touch food.
Thermometers	Microwave-safe only (meat and candy thermometers).
Wax paper	Use as a cover to prevent splattering and retain moisture.

Materials to be avoided in microwave oven

Utensils	Remarks
Aluminum tray	May cause arcing. Transfer food into microwave-safe dish.
Food carton with metal handle	May cause arcing. Transfer food into microwave-safe dish.
Metal or metal-trimmed utensils	Metal shields the food from microwave energy. Metal trim may cause arcing.
Metal twist ties	May cause arcing and could cause a fire in the oven.
Paper bags	May cause a fire in the oven.
Plastic foam	Plastic foam may melt or contaminate the liquid inside when exposed to high temperature.
Wood	Wood will dry out when used in the microwave oven and may split or crack.

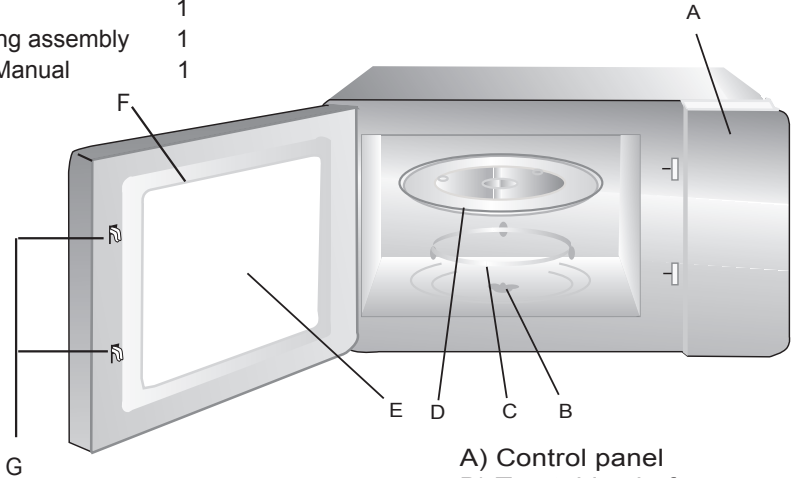
SETTING UP YOUR OVEN

Names of Oven Parts and Accessories

Remove the oven and all materials from the carton and oven cavity.

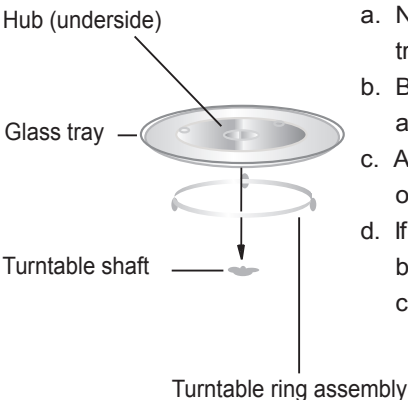
Your oven comes with the following accessories:

Glass tray	1
Turntable ring assembly	1
Instruction Manual	1



- A) Control panel
- B) Turntable shaft
- C) Turntable ring assembly
- D) Glass tray
- E) Observation window
- F) Door assembly
- G) Safety interlock system

Turntable Installation



- a. Never place the glass tray upside down. The glass tray should never be restricted.
- b. Both glass tray and turntable ring assembly must always be used during cooking.
- c. All food and containers of food are always placed on the glass tray for cooking.
- d. If glass tray or turntable ring assembly cracks or breaks, contact your nearest authorized service center.

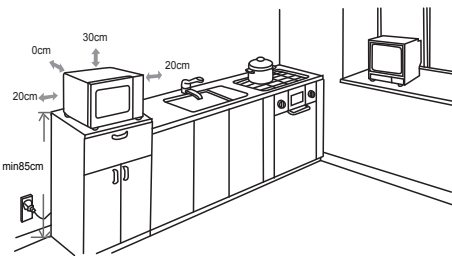
Countertop Installation

Remove all packing material and accessories. Examine the oven for any damage such as dents or broken door. Do not install if oven is damaged.

Cabinet: Remove any protective film found on the microwave oven cabinet surface. Do not remove the light brown Mica cover that is attached to the oven cavity to protect the magnetron.

Installation

1. Select a level surface that provide enough open space for the intake and/or outlet vents.



(1) The minimum installation height is 85cm.

(2) The rear surface of appliance shall be placed against a wall.

Leave a minimum clearance of 30cm above the oven, a minimum clearance of 20cm is required between the oven and any adjacent walls.

(3) Do not remove the legs from the bottom of the oven.

(4) Blocking the intake and/or outlet openings can damage the oven.

(5) Place the oven as far away from radios and TV as possible. Operation of microwave oven may cause interference to your radio or TV reception.

2. Plug your oven into a standard household outlet. Be sure the voltage and the frequency is the same as the voltage and the frequency on the rating label.

WARNING: Do not install oven over a range cooktop or other heat-producing appliance. If installed near or over a heat source, the oven could be damaged and the warranty would be void.

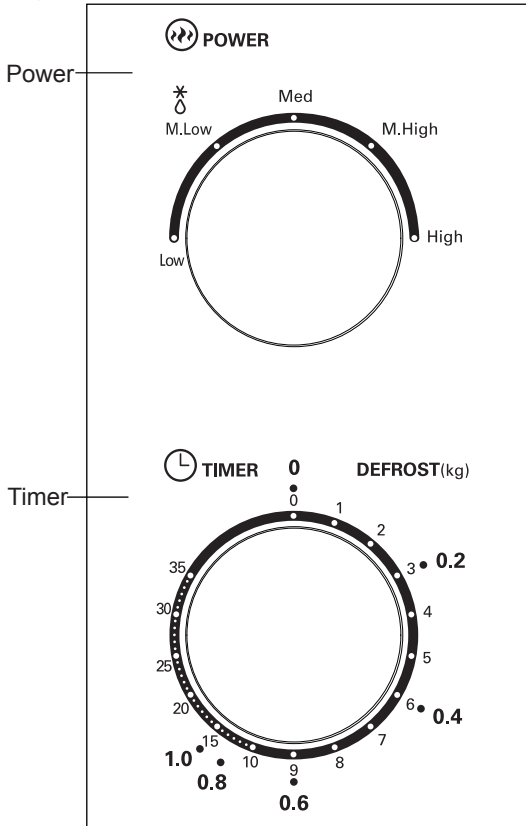
The accessible surface may be hot during operation.



OPERATION

Control Panel and Features

Operation Instructions



1. To set cooking power by turning the power knob to desired level.
2. To set the time of cooking by turning the timer knob to desired time per your food cooking guide.
3. The microwave oven will automatically start cooking after power level and time are set.
4. After the cooking time is up, the unit will "Dong" to stop.
5. If the unit is not in use, always set time to "0".

Function/Power	Output	Application
Low	17% micro.	Soften ice cream
Med. Low (Defrost)	33% micro.	Soup stew, soften butter or defrost
Med.	55% micro.	Stew, fish
Med. High	77% micro.	Rice, fish, chicken, ground meat
High	100% micro.	Reheat, milk, boil water, vegetables, beverage

Notice: When removing food from the oven, please ensure that the oven power is switched off by turning the timer switch to 0 (zero). Failure to do so, and operating the microwave oven without food in it, can result in overheating and damage to the magnetron.

Trouble shooting

Normal	
Microwave oven interfering TV reception	Radio and TV reception may be interfered when microwave oven operating. It is similar to the interference of small electrical appliances, like mixer, vacuum cleaner, and electric fan. It is normal.
Dim oven light	In low power microwave cooking, oven light may become dim. It is normal.
Steam accumulating on door, hot air out of vents	In cooking, steam may come out of food. Most will get out from vents. But some may accumulate on cool place like oven door. It is normal.
Oven started accidentally with no food in.	It is forbidden to run the unit without any food inside. It is very dangerous.

Trouble	Possible Cause	Remedy
Oven can not be started.	(1) Power cord not plugged in tightly.	Unplug. Then plug again after 10 seconds.
	(2) Fuse blowing or circuit breaker works.	Replace fuse or reset circuit breaker (repaired by professional personnel of our company)
	(3) Trouble with outlet.	Test outlet with other electrical appliances.
Oven does not heat.	(4) Door not closed well.	Close door well.



According to Waste of Electrical and Electronic Equipment (WEEE) directive, WEEE should be separately collected and treated. If at any time in future you need to dispose of this product please do NOT dispose of this product with household waste. Please send this product to WEEE collecting points where available.

INFINITON

Horno Microondas

MW-0115



MANUAL DE INSTRUCCIONES

Antes de utilizar su horno microondas lea estas instrucciones detalladamente, y consérvelas para futuras consultas.

Si sigue estas instrucciones, su horno le prestará un buen servicio durante muchos años.

PRECAUCIONES PARA EVITAR LA POSIBLE EXPOSICIÓN A UNA EXCESIVA ENERGÍA DE MICROONDAS

- (a) No intente hacer funcionar este horno con la puerta abierta, ya que puede producirse una exposición peligrosa a las microondas. Es importante no forzar o manipular los cierres de seguridad.
- (b) No coloque ningún objeto entre el frente del horno y la puerta ni deje que se acumulen suciedad o restos de limpiador en las superficies de sellado.
- (c) **ADVERTENCIA:** Si la puerta o sus juntas están dañadas, el horno no debe utilizarse hasta que haya sido reparado por una persona cualificada.

IMPORTANTE

Si el aparato no se limpia adecuadamente, su superficie puede degradarse acortando el tiempo de vida útil del mismo y puede crearse una situación de peligrosidad.

SEGURIDAD ELÉCTRICA: DESCONEXIÓN DE LA RED

Se debe instalar una toma de corriente cerca del equipo y ser fácilmente accesible.

Especificaciones

Modelo	MW-0115
Alimentación eléctrica	230 V~50 Hz
Consumo	1050 W
Salida Máxima	700 W
Capacidad del Horno	20 litros
Diámetro del Plato Giratorio	Ø 255 mm
Dimensiones externas (largo x ancho x alto)	440mmX259mmX336mm
Peso neto	10.35 kg. aproximadamente

Instrucciones importantes de seguridad

ADVERTENCIA

Para reducir el riesgo de incendio, descargas eléctricas, lesiones a las personas, o exposición excesiva a las microondas cuando se utilice el aparato, siga las siguientes precauciones básicas:

1. **¡Atención!** Los líquidos u otros alimentos no deben ser calentados jamás en recipientes sellados ya que podrían estallar.
2. **¡Atención!** Es peligroso, para quien no sea un técnico autorizado, quitar la cobertura de protección o placa de mica que garantiza la protección de la exposición a la energía de microondas.
3. **Atención!** Este aparato puede ser usado por niños mayores de 8 años, por personas con limitadas capacidades físicas, mentales ó sensoriales ó personas sin experiencia o conocimientos, siempre bajo supervisión de un adulto y tras haber sido instruidos sobre el uso seguro y correcto del aparato y los peligros que entraña su uso. Los niños no deben jugar con el aparato. La limpieza y mantenimiento del aparato no deben realizarla niños a menos que sean mayores de 8 años y siempre bajo supervisión de un adulto.
4. Mantener el aparato y el cable del aparato fuera del alcance de niños menores de 8 años.

5. Utilice solamente utensilios adecuados para ser usados con hornos microondas.
6. El horno debe limpiarse con regularidad y se debe quitar cualquier tipo de resto de alimento.
7. Lea y respete las "PRECAUCIONES PARA EVITAR POSIBLES EXPOSICIONES EXCESIVAS A LA ENERGÍA DE MICROONDAS"
8. Cuando caliente alimentos en recipientes de plástico o de papel, vigile el horno ya que se podría incendiar.
9. Si ve que sale humo, apague y desenchufe el horno de la toma de corriente y mantenga la puerta cerrada para sofocar las posibles llamas.
10. No cueza excesivamente los alimentos.
11. No utilice el interior del horno como almacenaje. No deje productos como pan, bizcochos, etc en el interior del horno.
12. Quite los cierres metálicos y las asas de metal de los recipientes/bolsas de papel o de plástico antes de colocarlos en el horno.
13. Instale o coloque el horno siguiendo las instrucciones de instalación suministradas.
14. Los huevos con cáscara y los huevos duros no deben calentarse en el horno microondas porque podrían estallar, incluso después de haber terminado el calentamiento en el microondas.

15. Este aparato está diseñado sólo para calentar, no para usos industriales o de laboratorio. Sólo apto para utilizar en hogares o lugares similares como:
 - Áreas de cocina para el personal de tiendas, oficinas u otros entornos laborales.
 - Clientes en hoteles, aparta-hoteles, casas rurales y otros tipos de entornos residenciales.
 - Granjas.
 - Entornos residenciales como aquellos que ofrecen alojamiento y desayuno.
16. Si el cable original del aparato se ha dañado, debe ser sustituido por el fabricante, por el servicio de mantenimiento o por personal cualificado para prevenir cualquier situación de peligro.
17. No guarde y no utilice este electrodoméstico al aire libre.
18. No utilice este horno cerca del agua, del fregadero mojado o cerca de una piscina.
19. La temperatura de las superficies accesibles podría ser elevada durante el funcionamiento del electrodoméstico. Mantenga el cable de alimentación lejos de superficies calientes y no cubra el horno por ninguna razón.
20. No deje que el cable de alimentación quede colgando sobre el borde de la mesa o de la superficie de trabajo.
21. Si no se siguen las indicaciones de limpieza, se podrían dañar las superficies y ello podría acortar la vida del electrodoméstico, además de provocar situaciones peligrosas.

22. Mezcle o agite siempre el contenido de biberones y recipientes para alimentos de los bebés y controle la temperatura de los mismos para evitar quemaduras.
23. El calentamiento de bebidas en el microondas podría provocar un proceso de ebullición retardada; por lo tanto tenga cuidado cuando mueva el recipiente.
24. Este aparato no es apto para personas o niños con capacidades físicas, sensoriales ó mentales limitadas o con falta de experiencia y conocimientos, a menos que estén bajo supervisión de un adulto o hayan sido previamente instruidos sobre el uso seguro y correcto del aparato y los peligros que entraña su uso.
25. Los niños no deben jugar con el aparato y deben estar siempre bajo supervisión de un adulto.
26. Este aparato no se puede operar con un temporizador externo ó por control remoto.
27. Atención: El aparato y sus partes accesibles se calientan durante el uso. Mantener lejos del alcance de los niños.
28. No utilizar limpiadores a vapor.
29. El aparato se calienta durante el uso. Evite tocar elementos calientes dentro del aparato.
30. Utilice solamente una sonda de temperatura recomendada por el fabricante (sólo para hornos provistos con sensor de temperatura).

-
31. Atención: El aparato y sus partes accesibles se calientan durante el uso. Evite tocar sus elementos calientes. Mantener lejos del alcance de niños menores de 8 años a menos que estén bajo supervisión de un adulto.
 32. El horno microondas debe operarse con la puerta decorativa abierta (para hornos con puerta decorativa).
 33. La parte trasera del aparato debe colocarse contra una pared.
 34. El horno microondas no debe encastrarse en un mueble a menos que haya sido previamente testado para este tipo de instalación.
 35. El horno microondas está destinado a calentar alimentos y bebidas. Existe el riesgo de ocasionar lesiones, igniciones, o fuegos al secar alimentos o ropa, o calentar almohadillas térmicas, zapatillas, esponjas, paños húmedos y objetos similares.

**LEER ATENTAMENTE ESTAS INSTRUCCIONES Y
CONSERVAR PARA FUTURAS CONSULTAS**

Para reducir el riesgo de daños a las personas

Puesta a tierra

PELIGRO

Peligro de descargas eléctricas El contacto con ciertos componentes internos puede producir lesiones graves o incluso la muerte.

No desmonte el electrodoméstico.

ADVERTENCIA

Peligro de descargas eléctricas.

El uso inadecuado de la puesta a tierra puede producir descargas eléctricas. No enchufe el aparato hasta que esté correctamente instalado y puesto a tierra.

Este electrodoméstico debe instalarse con toma de tierra. En el caso de que se produzca un cortocircuito, la toma de tierra reduce el riesgo de descarga eléctrica por la existencia de un cable por el que puede escaparse la corriente eléctrica. Este electrodoméstico está equipado con un cable que tiene un conductor de tierra y un enchufe con toma de tierra. El enchufe debe introducirse en una toma que esté adecuadamente instalada y puesta a tierra.

Consulte a un electricista cualificado o a un técnico de mantenimiento si no comprende totalmente las instrucciones sobre la puesta a tierra o si tiene alguna duda sobre la forma en que el electrodoméstico queda correctamente conectado a tierra. Si fuera necesario un cable alargador, use solamente un alargador de tres hilos.

1. Se facilita un cable de alimentación corto para reducir el riesgo de que se enrede o enganche si fuera más largo.
2. Si se usa un conector múltiple o un cable alargador:
 - 1) Las características eléctricas nominales del conector o cable alargador deben ser iguales a las características eléctricas nominales del electrodoméstico.
 - 2) El cable alargador debe ser del tipo de 3 hilos con toma de tierra.
 - 3) El cable alargador debe disponerse de forma que no quede por encima de la mesa o encimera, de manera que los niños no puedan tirar de él o pueda engancharse sin querer.

LIMPIEZA

Cerciórese de que el horno esté desconectado de la red.

1. Limpie el interior del horno con un paño ligeramente húmedo tras utilizarlo.
2. Limpie los accesorios como hace habitualmente en agua condetergente.
3. El marco de la puerta, la junta y las piezas cercanas han de limpiarse cuidadosamente con un paño húmedo cuando estén sucias.
4. No utilice limpiadores abrasivos o ásperos ni raspadores metálicos para limpiar el cristal de la puerta del horno, ya que podrían rayar la superficie, que se podría romper.

-
5. Truco de limpieza: Para una mejor limpieza de la cavidad para eliminar restos de comida de las paredes del horno: coloque medio limón en un bol, añada 300 ml (media pinta) de agua y ponga el microondas a potencia máxima 100% durante 10 minutos. Limpie el interior del horno con un trapo seco y suave.

UTENSILIOS PRECAUCIÓN

Peligro de lesiones personales

Es peligroso para cualquiera que no esté cualificado realizar reparaciones o mantenimiento que supongan retirar la tapa de mica que protege de la exposición a las microondas.

Véanse las instrucciones sobre “Materiales que pueden usarse o deben evitarse en el horno microondas.” Algunos utensilios no metálicos pueden no ser seguros para su uso en un horno microondas. En caso de dudas, puede probar el utensilio en cuestión aplicando el procedimiento que se describe a continuación.

Prueba de utensilios:

1. Llene un recipiente apto para horno microondas con un vaso de agua fría (250 ml) e introdúzcalo en el horno microondas con el utensilio en cuestión
2. Cocine a la potencia más alta durante 1 minuto.
3. Toque con cuidado el utensilio. Si está caliente, no lo utilice para cocinar en el horno microondas.
4. No supere 1 minuto de cocción.

Materiales que pueden usarse en el horno microondas

Utensilios	Observaciones
Papel de aluminio	Para protección solamente. Pueden usarse piezas pequeñas y lisas para cubrir piezas delgadas de carne de vacuno o ave para evitar la sobrecocción. Si el papel de aluminio estuviera muy cerca de las paredes del horno podría formarse un arco eléctrico. El papel debe colocarse a una distancia de al menos 2,5 cm (1 pulgada) de las paredes del horno.
Plato Tostador	Seguir las instrucciones del fabricante. El fondo del plato tostador debe estar al menos a 3/16 pulgadas (5mm) por encima del plato giratorio. El uso incorrecto puede dar lugar a que se rompa dicho plato.
Menaje	Use sólo menaje apto para hornos microondas. Siga las instrucciones del fabricante. No utilice platos rotos o dañados.
Frascos de vidrio	Retire siempre la tapa. Utilícelos solo para calentar los alimentos hasta que estén templados. La mayoría de los frascos de vidrio no son resistentes al calor y pueden romperse.
Vajilla de vidrio	Utilice solo vajilla de vidrio resistente al calor del horno. Asegúrese de que no tenga adornos metálicos. No utilice platos rotos o dañados.
Bolsas de cocinar	Sigas las instrucciones del fabricante. No las cierre con tiras metálicas. Haga unos cortes para dejar salir el vapor.
Platos y vasos de papel	Utilícelos solamente para un calentamiento o cocción cortos. No desatienda el horno mientras cocina.
Papel de cocina	Utilícelo para cubrir los alimentos y para recalentar y absorber la grasa. Utilícelo bajo supervisión y durante periodos de cocción cortos.
Plástico	Utilice solo plástico apto para hornos microondas. Siga las instrucciones del fabricante. Debe llevar una etiqueta de “Apto para microondas”. Algunos recipientes de plástico se ablandan a medida que se calienta el alimento en su interior. Las “bolsas para hervir” y las bolsas de plástico totalmente cerradas deben rasgarse, pincharse o ventilarse según se indica en el envoltorio.
Plástico Transparente	Utilice solo plástico transparente apto para horno microondas. Se usa para tapar los alimentos
Termómetros	Utilice solo termómetros aptos para hornos microondas (termómetros para carne y dulces).
Papel vegetal	Utilícelo como tapa para evitar salpicaduras, retener la humedad ó como envoltura para cocinar al vapor.

Materiales que hay que evitar en el horno microondas

Utensilios	Observaciones
Bandejas de aluminio	Pueden formar arco eléctrico. Pase los alimentos a un plato apto para horno microondas.
Envase de cartón para alimentos con mango de metal	Pueden formar arco eléctrico. Pase los alimentos a un plato apto para horno microondas.
Utensilios metálicos o con adornos metálicos	El metal impide el paso de la energía de microondas hacia los alimentos. Los adornos metálicos pueden formar arco eléctrico.
Tiras de atar metálicas	Pueden formar arco eléctrico e incendiarse dentro del horno
Bolsas de papel	Pueden incendiarse dentro del horno
Poliespán	El poliespán puede fundirse o contaminar los líquidos cuando se exponen a altas temperaturas.
Madera	La madera se secará si se introduce en el horno microondas y puede partirse o agrietarse.

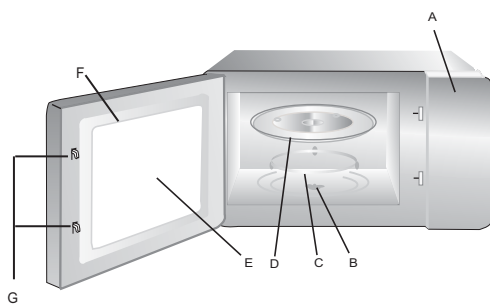
AJUSTE DEL HORNO MICROONDAS

Nombre de las piezas y accesorios del horno

Retire el horno y todos los materiales de su embalaje de cartón y de su interior.

El horno se suministra con los siguientes accesorios:

Bandeja de vidrio	1
Conjunto del aro giratorio	1
Manual de instrucciones	1



- A) Panel de control
- B) Eje giratorio
- C) Conjunto del aro giratorio
- D) Bandeja de vidrio
- E) Ventana de observación
- F) Conjunto de la puerta
- G) Sistema de cierre de seguridad

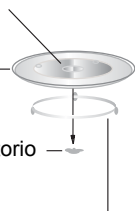
INSTALACIÓN DEL PLATO GIRATORIO

Cubo central (cara de abajo)

Bandeja de vidrio

Eje giratorio

Conjunto del aro giratorio



- No ponga nunca la bandeja de vidrio boca abajo. La bandeja de vidrio debe poder moverse siempre.
- Para la cocción deben usarse siempre la bandeja de vidrio y el conjunto del aro giratorio
- Todos los alimentos y sus recipientes deben ponerse siempre sobre la bandeja de vidrio para la cocción.
- Si la bandeja de vidrio o el conjunto del aro giratorio se rompen o agrietan, póngase en contacto con el centro de servicio autorizado más cercano.

Instalación en la encimera

Retire todo el material de embalaje y los accesorios.

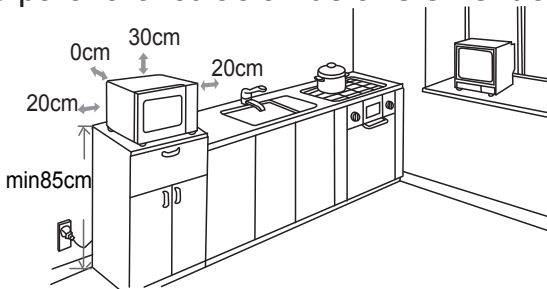
Revise el horno en busca de daños, como puerta con abolladuras o rota. No instale el horno si está dañado.

Carcasa: retire la película de protección de la superficie de la carcasa.

No retire la tapa de color marrón claro de mica fijada en la cavidad del horno para proteger el magnetrón

Instalación

1. Elija una superficie plana que le proporcione el espacio suficiente para la circulación de aire en entrada y en salida.



Escoja una superficie nivelada que tenga espacio suficiente para los vientos de entrada y/o salida.

- (1) La altura mínima de instalación es de 85 cm.
- (2) La parte trasera del aparato debe colocarse contra una pared.

Deje un espacio mínimo de 30 cm por encima del horno. Se requiere un espacio mínimo de 20 cm entre el horno y cualquier pared adyacente.

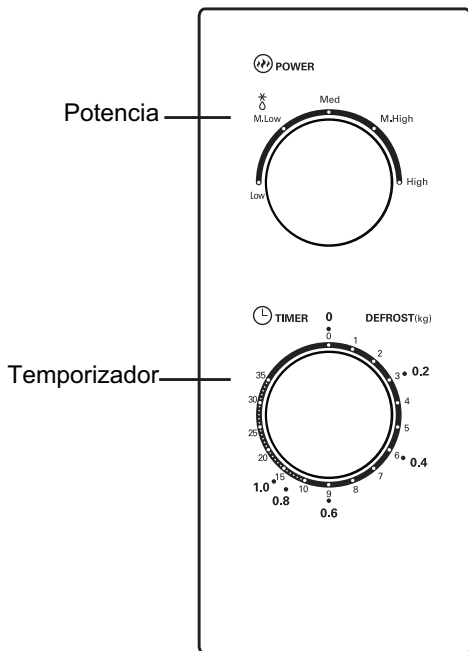
- (3) No quite los pies de la parte inferior del horno.
- (4) El bloqueo de las aberturas en entrada y/o en salida podría dañar el horno.
- (5) Coloque el horno lo más lejos posible de radios o televisores. El funcionamiento del horno de microondas puede provocar interferencias en la recepción de estos aparatos.

2. Conecte el horno a una toma doméstica estándar. Controle que el voltaje y la frecuencia sean iguales al voltaje y a la frecuencia indicados en la plaquita de los valores nominales.

¡ATENCIÓN! No instale el horno sobre una cocina u otros electrodomésticos que desarrollen calor. Si se lo instala cerca o sobre una fuente de calor, el horno podría dañarse y la garantía no tendría validez.

FUNCIONAMIENTO

Panel de Control y prestaciones



1. Ajustar la potencia de cocción girando el mando de potencia al nivel deseado.
2. Ajustar el tiempo de cocción girando el mando del temporizador al tiempo deseado según su receta.
3. El horno microondas empezará la cocción automáticamente tras ajustar la potencia y el tiempo.
4. Una vez transcurrido el tiempo de cocción, en la unidad sonará un "Ding" al parar.
5. Si la unidad no está en uso, poner siempre el tiempo a "0".

Función/potencia	Salida (%)	Aplicación
Low	17 % microondas	Mantener la temperatura de los alimentos, ablandar helados
M.Low	33 % microondas	Descongelar
Med.	55 % microondas	Cocinar pasteles cremosos, dorar alimentos
M.High	77 % microondas	Arroz, pescado y marisco, galletas, carne
High	100 % microondas	Recalentar, hervir agua, cocinar verduras frescas, pollo, pato, calentar bebidas no lácteas

Detección de averías

Normal	
El horno microondas interfiere con la recepción de la TV	Las emisiones de radio y televisión pueden verse interferidas cuando el horno microondas esté en funcionamiento. Es similar a las interferencias de los pequeños electrodomésticos, como batidoras, aspiradoras y ventiladores.
La luz del horno es tenue	Al cocinar a baja potencia, la luz del horno puede atenuarse. Es normal
Se acumula vapor en la puerta. Sale aire caliente por los venteos.	Al cocinar, puede salir vapor de los alimentos. La mayor parte de éste sale por los venteos. Pero algo puede quedarse acumulado en un lugar más fresco como la puerta del horno. Es normal.
El horno se enciende accidentalmente sin alimentos dentro.	No se producen daños en el horno si éste funciona vacío un corto período de tiempo. Sin embargo, debe evitarse.

Problema	Causa Posible	Remedio
El horno no se enciende	(1) El cable de alimentación no está bien enchufado	Desenchúfelo. Vuélvalo a enchufar transcurridos 10 segundos.
	(2) El fusible se ha fundido o ha actuado el interruptor	Sustituya el fusible o resetee el interruptor (reparar sólo personal profesional de nuestra compañía).
	(3) Problema con la alimentación eléctrica	Pruebe la alimentación eléctrica con otros electrodomésticos.
El horno no calienta	(4) La puerta no está bien cerrada	Cierre bien la puerta.



Según la directiva *Waste of Electrical and Electronic Equipment (WEEE)*, los residuos WEEE han de recogerse y tratarse por separado. Si, en el futuro, necesita desprenderse de este producto, NO lo ponga en los residuos domésticos, envíelo a los puntos de recogida WEEE si existen

INFINITON

Forno Micro-ondas

MANUAL DE INSTRUÇÕES

MODELO: MW-0115



Antes de utilizar o seu forno microondas leia estas instruções atentamente e conserve-as para futuras consultas.

Se observa estas instruções, o seu forno prestar-lhe-á um bom serviço durante muitos anos.

GUARDE ESTAS INSTRUÇÕES COM CUIDADO

PRECAUÇÕES PARA EVITAR A POSSÍVEL EXPOSIÇÃO A UMA EXCESSIVA ENERGIA DE MICRO-ONDAS

- (a) Não tente colocar o aparelho em funcionamento com a porta aberta, pois pode produzir-se uma exposição perigosa às micro-ondas. É importante não forçar ou manipular os fechos de segurança.
- (b) Não coloque nenhum objeto entre a frente e a porta do micro-ondas e não deixe acumular sujidade ou restos de produto de limpeza nas superfícies vedantes.
- (c) **ADVERTÊNCIA:** Se a porta ou as juntas estiverem danificadas, não utilize o aparelho até ter sido reparado por um técnico qualificado.

NOTA:

Se o aparelho não for limpo adequadamente, a sua superfície pode degradar-se diminuindo o tempo de vida útil, podendo ocorrer perigo.

Especificações

Modelo:	MW-0115
Tensão:	230V~ 50Hz
Potência:	1050 W
Potência máxima de saída:	700 W
Capacidade de forno:	20 Litres
Diâmetro do prato giratório:	∅255 mm
Dimensões exteriores (LxPxA):	440mmX259mmX336mm
Peso líquido:	Approx. 10.35 Kg

Instruções de segurança importantes

ADVERTÊNCIA

Para reduzir o risco de incêndio, descargas elétricas, lesões em pessoas ou exposição excessiva às micro-ondas quando se utiliza o aparelho observe as seguintes precauções básicas:

1. **Atenção!** Líquidos ou outros alimentos não deverão ser aquecidos em recipientes hermeticamente fechados, pois podem explodir.
2. **Atenção!** É perigoso retirar a tampa de segurança que protege contra a exposição às micro-ondas.
3. Este equipamento pode ser utilizado por crianças com idade a partir de 8 anos e por pessoas com deficiências físicas, sensoriais ou mentais, ou ainda com pouca experiência e conhecimentos, caso tenham supervisão ou recebam instruções relativas à utilização do equipamento de forma segura, de modo a compreenderem os perigos inerentes. As crianças não podem brincar com o equipamento. A limpeza e manutenção do equipamento não devem ser feitas por crianças sem supervisão.
4. Mantenha o aparelho e o correspondente cabo de ligação fora do alcance de crianças menores de 8 anos.
5. Utilize apenas recipientes próprios para utilização em forno micro-ondas.
6. Deverá limpar o micro-ondas regularmente e retirar os restos de alimentos.
7. Leia e siga as indicações dadas no parágrafo "PRECAUÇÕES PARA EVITAR

EXPOSIÇÃO EXCESSIVA A RADIAÇÕES MICRO ONDAS ".

8. Quando aquecer alimentos em recipientes de plástico ou papel, mantenha o forno sob vigilância por haver risco de incêndio.
9. Se observar fumo no interior do forno, desligue o aparelho retirando a ficha da tomada e mantenha a porta fechada para apagar uma possível chama.
10. Não cozinhe excessivamente os alimentos.
11. Não utilize o interior do micro-ondas para guardar alimentos. Não deixe produtos como pão, biscoitos, etc. no interior do forno.
12. Retire os fechos e pegas metálicos dos recipientes/sacos de papel ou plástico antes de os colocar no interior do micro-ondas.
13. Instale o aparelho de acordo com as instruções de instalação que lhe são fornecidas.
14. Ovos inteiros e ovos cozidos não deverão ser aquecidos no forno micro-ondas pois podem rebentar, mesmo depois do aquecimento ter terminado.
15. Este equipamento destina-se a ser utilizado em aplicações domésticas e similares, tais como:
 - áreas de cozinha e de pessoal em lojas, escritórios e outros ambientes de trabalho;
 - por clientes em hotéis, motéis e noutros ambientes do tipo residencial;
 - quintas;
 - quartos de hóspedes e outros ambientes do mesmo género.

16. Se o cabo de alimentação fornecido estiver danificado tem de ser substituído por pessoal qualificado, de modo a prevenir situações de risco.
17. Não armazene ou utilize este eletrodoméstico no exterior.
18. Não utilize este aparelho próximo de água, em lava-louças molhados ou perto de piscinas.
19. Durante o funcionamento deste eletrodoméstico, a temperatura das superfícies acessíveis pode ser elevada. Mantenha o cabo de alimentação afastado de superfícies quentes. Nunca tape o aparelho.
20. Não deixe o cabo de alimentação a pender da mesa ou bancada onde está instalado.
21. Se não seguir as indicações de limpeza, a superfície do aparelho pode ficar danificada, reduzindo o seu tempo útil de vida provocando situações de perigo.
22. Agite sempre o conteúdo de biberões e recipientes com alimentos para bebés e controle sempre a temperatura dos alimentos para evitar queimaduras.
23. O aquecimento de bebidas no micro-ondas pode provocar um processo de ebulição retardado. Por isso, tenha cuidado ao mover o recipiente.
24. Este equipamento não está apto a ser utilizado por crianças ou pessoas com capacidades físicas, sensoriais ou mentais limitadas ou com pouca experiência e conhecimentos, a menos que tenham supervisão de um adulto ou recebam instruções relativas à utilização do

equipamento de forma segura, de modo a compreenderam os perigos inerentes.

25. As crianças devem ser supervisionadas de modo a que não brinquem com o equipamento.
26. Este aparelho não se destina a ser operado através de um temporizador externo ou sistema de controlo remoto separado.
27. Algumas partes acessíveis poderão ficar quentes durante a utilização. Mantenha as crianças afastadas do aparelho.
28. Não utilize aparelhos de limpeza a vapor.
29. AVISO: O aparelho e as suas peças acessíveis podem aquecer durante a sua utilização. Devem ser tomados cuidados para evitar tocar nas resistências de aquecimento.
30. Utilize apenas uma sonda recomendada pelo fabricante (para fornos equipados com sonda de temperatura de alimentos).
31. AVISO: O aparelho e as parte acessíveis podem aquecer durante a sua utilização. Devem ser tomados cuidados para evitar tocar nos elementos de aquecimento. Crianças menores de 8 anos de idade devem ser mantidas longe, a menos que sejam continuamente supervisionadas.
32. O forno de micro-ondas deve ser utilizado com a porta decorativa aberta (para fornos com porta decorativa).
33. A superfície traseira do aparelho deve ser colocada contra uma parede.

34. O micro-ondas não deverá se encastrado num móvel, a menos que o mesmo tenha sido devidamente testado.
35. O microondas foi criado para aquecer géneros alimentícios e bebidas. A secagem de géneros alimentícios ou roupa, e o aquecimento de almofadas aquecidas, pantufas, esponjas, roupa húmida e outros artigos semelhantes pode dar origem a riscos de lesões, inflamação ou fogo.

LEIA CUIDADOSAMENTE E GUARDE PARA REFERENCIA FUTURA

Para reduzir o risco de perigo nas pessoas

Ligação à terra

PERIGO

Perigo de choque elétrico.

O contacto com determinados componentes internos pode provocar lesões graves ou, inclusivamente, a morte. Não desmonte o eletrodoméstico.

ADVERTÊNCIA

Perigo de choque elétrico.

O uso inadequado da ligação à terra pode provocar descargas elétricas. Não ligue o aparelho enquanto não estiver corretamente instalado e com ligação à terra.

Este eletrodoméstico deve ter ligação à terra. No caso de um curto-circuito, a ligação à terra reduz o risco de descarga. Este aparelho está equipado com um cabo que possui condutor terra e ficha com ligação à terra. A ficha deverá ser ligada apenas a uma tomada corretamente instalada e com ligação à terra.

Contacte um electricista qualificado se tiver alguma dúvida sobre as instruções da ligação elétrica do aparelho à terra.

1. O cabo de alimentação fornecido é curto para reduzir o risco de este ficar preso ou estrangulado.

2. Se utilizar uma ficha múltipla ou uma extensão elétrica:

1) As características elétricas nominais da ficha ou da extensão elétrica devem ser, pelo menos, iguais às características elétricas nominais do eletrodoméstico.

2) A extensão elétrica deve ser do tipo de 3 condutores com terra.

3) A extensão elétrica deve ser colocada de modo a não ficar por cima de uma mesa ou bancada, para não ser puxada inadvertidamente.

LIMPEZA

Assegure-se de que o forno está corretamente desligado da rede elétrica.

1. Limpe o interior do micro-ondas após o utilizar, com um pano ligeiramente húmido.

2. Limpe os acessórios com água abundante e detergente.

3. O aro da porta, a junta e as peças adjacentes têm que ser limpas cuidadosamente com um pano húmido quando sujas.

4. Não utilize produtos de limpeza abrasivos ou esfregões de metal para limpar o vidro da porta pois poderá riscar a superfície.

5. **Dica de limpeza:**

Para facilitar a limpeza das partes laterais da cavidade que podem estar em contacto com os alimentos cozinhados:

Coloque metade de um limão numa tigela, adicione 300ml de água (1/2 litro) e aqueça na potência máxima de micro-ondas durante aproximadamente 10 minutos. Limpe o forno com um pano macio e seco.

LOUÇA PRECAUÇÃO Perigo de lesões

É perigoso para qualquer pessoa que não esteja habilitada, efetuar reparações ou manutenção que impliquem retirar a tampa de mica que protege da exposição às micro-ondas.

Ver as instruções sobre "Materiais que podem ser utilizados e que se devem evitar no forno microondas." Alguma louça não metálica pode não ser segura para a sua utilização num forno microondas. Em caso de dúvidas, pode testar a louça em questão aplicando o seguinte procedimento:

Teste á louça:

1. Coloque o recipiente vazio e um copo com água (250ml) no interior do forno.
2. Seleccione à potência máxima durante 1 minuto.
3. Se o recipiente estiver muito quente, não o utilize para cozinhar no forno microondas.
4. **Não supere 1 minuto de cozedura.**

Materiais que podem ser utilizados no forno microondas

Utensílios	Observações
Folha de alumínio	Apenas para protecção. Podem utilizar-se peças pequenas e lisas para tapar peças finas de carne de bovino ou ave para evitar cozinhar a mais. Se a folha de alumínio estiver muito próxima das paredes do forno pode formar-se um arco eléctrico. Deve colocar o papel a uma distância de pelo menos 2,5 cm das paredes do forno.
Prato tostador	Siga as instruções do fabricante. O fundo do prato tostador deve estar a pelo 5mm por cima do prato rotativo. Uma utilização incorrecta pode partir o prato.
Serviço de louça	Utilize apenas serviços aptos para forno microondas. Siga as instruções do fabricante. Não utilize pratos partidos ou estalados.
Frascos de vidro	Retire sempre a tampa. Utilize-os apenas para aquecer os alimentos até ficarem mornos. A maioria dos frascos de vidro não são resistentes ao calor e podem-se partir.
Louça de vidro	Utilize apenas louça de vidro resistente ao calor. Assegure-se de que não tenham adornos metálicos. Não utilize pratos partidos ou estalados.
Sacos para cozinhar	Siga as instruções do fabricante. Não os feche com fechos metálicos. Faça alguns cortes para o vapor poder sair.
Pratos e copos de papel	Utilize-os apenas para um aquecimento ou cozinhado rápido. Vigie o forno enquanto cozinha.
Papel de cozinha	Utilize para tapar os alimentos e para aquecer e absorver a gordura. Vigie o forno e utilize apenas para um cozinhado de pouca duração.
Plástico	Utilize apenas plástico apto para fornos microondas. Siga as instruções do fabricante. Deve ter uma etiqueta a indicar que é "Apto para microondas". Alguns recipientes de plástico amolecem à medida que o alimento é aquecido no seu interior. Sacos de plástico hermeticamente fechados devem ser perfurados ou ventilados conforme indicado na embalagem.
Película aderente	Utilize apenas película apta para forno microondas. Utiliza-se para tapar os alimentos durante o cozinhado. Esta película não deve tocar nos alimentos.
Termómetros	Utilize apenas termómetros aptos para fornos microondas (termómetros para carne e doces).
Papel vegetal	Utilize-o como cobertura para evitar salpicos e reter a humidade.

Materias a evitar utilizar no forno microondas

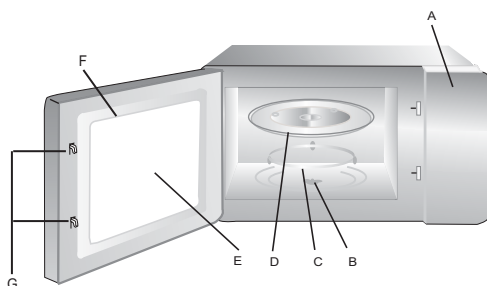
Recipiente	Observações
Bandeja de alumínio	Pode formar arco eléctrico. Coloque os alimentos num prato apto para forno microondas.
Cartão com pega de metal	Pode formar arco eléctrico. Coloque os alimentos num prato apto para forno microondas.
Metal ou recipientes com adornos metálicos	O metal impede a passagem da energia de microondas para os alimentos. Os adornos metálicos podem formar arco eléctrico.
Atilhos metálicos	Pode formar arco eléctrico e incendiar-se no interior do microondas.
Saco de papel	Pode incendiar-se no interior do microondas.
Espuma de plástico	As espumas de plástico podem derreter-se ou contaminar os líquidos quando expostas a elevadas temperaturas.
Madeira	A madeira contém água que evapora por acção das microondas e o recipiente poderá rachar.

REGULAÇÃO DO FORNO MICROONDAS

Nome das peças e acessórios do forno

Retire o forno e todos os materiais de embalagem de cartão do seu interior. O forno é fornecido com os seguintes acessórios:

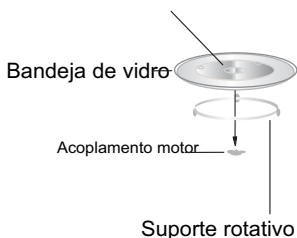
Bandeja de vidro	1
Conjunto do suporte rotativo	1
Manual de instruções	1



- A) Painel de comandos
- B) Acoplamento do motor
- C) Suporte rotativo
- D) Bandeja de vidro
- E) Vidro porta
- F) Conjunto da porta
- G) Linguetes

INSTALAÇÃO DA BANDEJA DE VIDRO

Cubo central (face inferior)



- a. Nunca coloque a bandeja virada para baixo, esta deve poder rodar sempre.
- b. Para cozinhar deve utilizar sempre a bandeja de vidro e o conjunto do suporte rotativo.
- c. Todos os alimentos e os seus recipientes devem colocar-se sempre sobre a bandeja de vidro.
- d. Se a bandeja de vidro ou o conjunto do suporte rotativo se danificarem, contacte o Serviço Técnico autorizado mais próximo.

Instalação na bancada

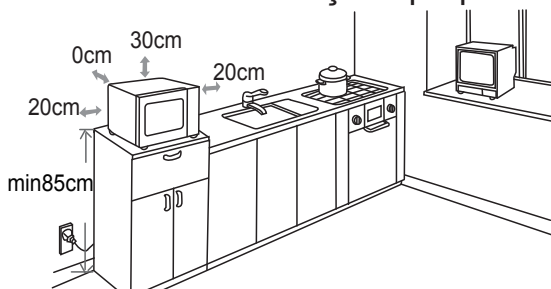
Retire todo o material de embalagem e os acessórios. Verifique se o microondas tem alguns danos, tais como porta amolgada ou partida. Não instale o forno se estiver danificado.

Carcaça: retire a película de protecção da superfície da cavidade do microondas.

Não retire a tampa de mica de cor castanha clara que está fixa no interior do forno para proteger o magnetrão.

Instalação

1. Selecione uma superfície plana com espaço suficiente para proporcionar uma ventilação apropriada à entrada ou à saída.



(1) A altura mínima de instalação é de 85 cm.

(2) A superfície da envolvente do aparelho deve ser colocada contra a parede.

Deixe um espaço mínimo de 30 cm por cima do forno.

E necessário um espaço mínimo de 20 cm entre o forno e a parede adjacente.

(3) Não tire os pés da parte inferior do forno.

(4) Cobrir as aberturas à entrada e/ou à saída pode provocar danos no forno.

(5) Coloque o forno o mais longe possível do rádio ou televisão. O funcionamento do forno micro-ondas pode provocar interferências na recepção do sinal de rádio ou televisão.

2. Ligue o forno a uma tomada doméstica standard. Assegure-se de que a tensão e frequência desta são iguais à tensão e frequência indicadas na placa de características do aparelho.

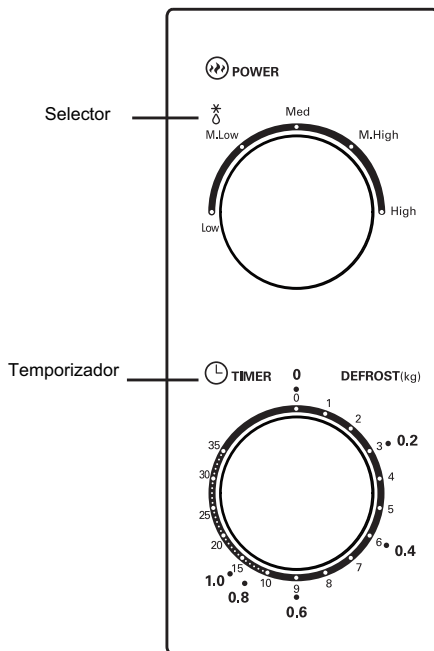
ATENÇÃO! Não instale o micro-ondas sobre uma placa de cozinha ou outro eletrodoméstico que produz calor. Se instalado próximo ou sobre uma fonte de calor o micro-ondas pode danificar-se e a garantia perde a validade.

OPERAÇÃO

Painel de Comandos e Funções

Instruções de funcionamento

1. Rode o botão de potência para o nível desejado para seleccionar a potência do cozinhado.
2. Rode o botão do temporizador para o tempo desejado (conforme guia para cozinhar) para definir o tempo de cozinhar.
3. O microondas vai automaticamente começar a cozinhar após definir o nível de potência e o tempo.
4. Decorrido o tempo seleccionado de cozinhar, ouvir-se-á um sinal sonoro.
5. Se o aparelho não estiver em funcionamento, coloque o temporizador na posição "0".



Função/Potência	Saída	Aplicação
Low	17% potência	Amolecer gelado
M.Low	33% potência	Descongular
Med.	55% potência	Cozinhar pastéis cremosos, dourar alimentos
M.High	77% potência	Arroz, peixe, bolachas, carne
High	100% potência	Aquecer alimentos, aquecer rapidamente líquidos, cozinhar verduras e aves

Resolução de problemas

Normal	
Interferências do forno microondas com a recepção de televisão	A recepção de rádio e televisão pode sofrer interferências quando o forno microondas está a funcionar. São interferências similares às produzidas pelos pequenos electrodomésticos, tais como a bateadeira aspirador e ventilador eléctrico. É uma situação normal.
Luz com pouca intensidade	Ao cozinhar a baixa potência, a luz do forno microondas pode atenuar-se. É uma situação normal.
Condensação de vapor na porta e nas saídas de ar quente ou nas aberturas de ventilação	Ao cozinhar, pode sair vapor dos alimentos. A maior parte sai pelas aberturas de ventilação. No entanto pode acumular-se nas zonas mais frias, como por exemplo na porta do forno. É uma situação normal.
O aparelho inicia sem alimentos no interior	O microondas se funcionar em vazio durante pouco tempo, não sofrerá danos, no entanto deve evitar-se o funcionamento nestas condições.

Problema	Causa possível	Solução
O forno microondas não liga	(1) O cabo não está correctamente ligado.	Desligue o cabo. Volte a ligar após 10 segundos
	(2) Fusível fundido ou interruptor aberto.	Contacte o Serviço Técnico autorizado.
	(3) Problemas na alimentação eléctrica.	Comprove a alimentação eléctrica da tomada ligando outros aparelhos eléctricos.
O forno não aquece.	(4) A porta não está bem fechada.	Feche bem a porta.



Este símbolo no produto ou na embalagem indica que não pode ser tratado como lixo doméstico. Em vez disso, deve ser entregue ao centro de recolha selectiva para a reciclagem de equipamento eléctrico e electrónico. Ao garantir uma eliminação adequada deste produto, irá ajudar a evitar eventuais consequências negativas para o meio ambiente e para a saúde pública, que, de outra forma, poderiam ser provocadas por um tratamento incorrecto do produto. Para obter informações mais pormenorizadas sobre a reciclagem deste produto, contacte os serviços municipalizados locais, o centro de recolha selectiva da sua área de residência ou o estabelecimento onde adquiriu o produto.

CERTIFICACION CE

Se ha determinado que este producto cumple con la Directiva de Baja Tension (2006/95/EC), la Directiva de Compatibilidad Electromagnetica (2004/108/EC) y la Directiva RoHS (2011/65/UE).



Para más información relacionada con las declaraciones y certificados de conformidad, póngase con nosotros a través del correo: info@infiniton.es

INFORMACIÓN SOBRE EL PRODUCTO

Si tiene alguna pregunta o duda relacionada con su dispositivo, póngase en contacto con nosotros:

e-mail: info@infiniton.es

web: www.infiniton.es

SERVICIO TÉCNICO

También puede ponerse en contacto con nuestro servicio técnico oficial:

MEGAEXIT, S.L.

tel.: (+34) 958 087 169

e-mail reparaciones: rma@megaexit.com

web: www.megaexit.com

